

SC-100 Series MICRO-SLIDE STORAGE CABINET Contents/Instructions

Contents

- (1) Slide Cabinet
- (6) Drawers
- (6) Drawer Knobs w/Screws
- (12) Foam Rubber Slide Stops
- (12) Label Inserts
- Base Unit (sold separately) MODEL #SC100B

Specifications

Overall Dimensions		
INCHES W x H x D	15.75x4.88x18.75	
(CM) W x H x D	40x12.40x47.60	
Weight (lbs)		
SHIPPING	25.5 lbs	
STAND ALONE	22.5 lbs	
Colors		
	STANDARD BEIGE	
	CLEAN ROOM IVORY	

Construction


Slide cabinets are made from durable 20 GA steel, and finished with a rust-resistant, easy-to-clean paint that is available in either of two colors: Standard Beige, or Clean-Room Ivory.

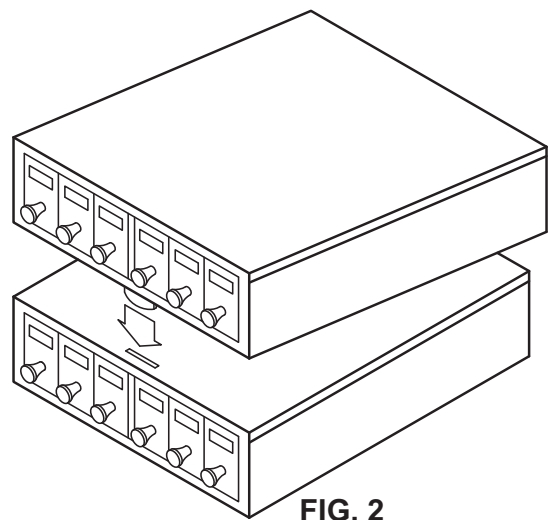
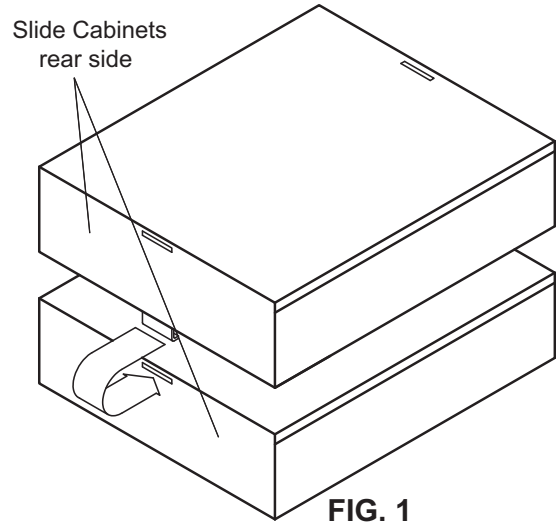
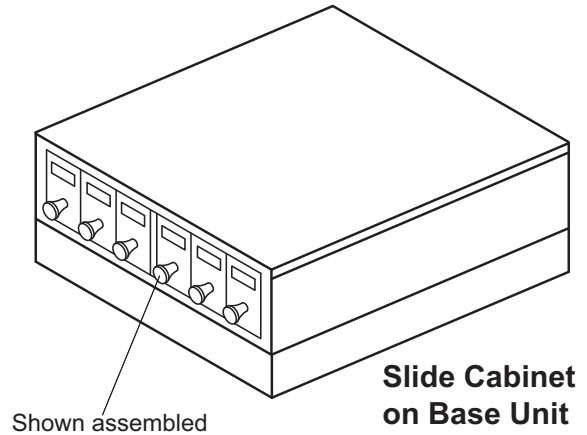
The Slide cabinet is specifically finished in smooth "non-textured" surface for easy cleaning.

Receiving

After unpacking all contents, verify receipt of correct quantities of each component and that each component has not suffered any damage due to shipping. If there are any problems, please refer to the enclosed **Damaged/Missing Item Report**.

Instructions

 Cabinets should not be stacked more than 12 units high, and should be kept on stable, level surface.



Instructions cont.

1. Slide cabinets are stackable. For multiple units, they can be stacked on top of each other by engaging the interlocking tabs found on the bottom of each cabinet, into the slots found on the rear and top of each cabinet.

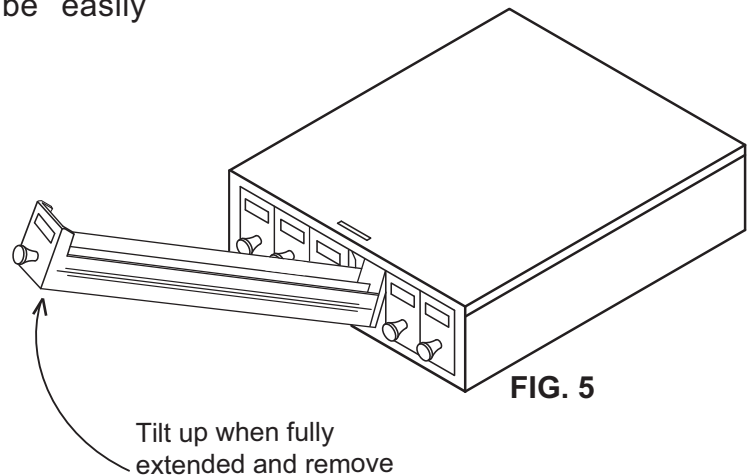
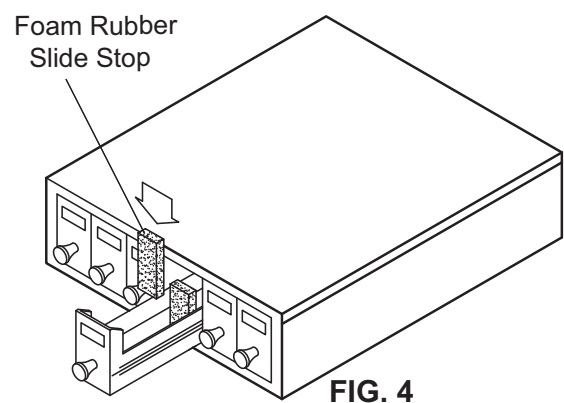
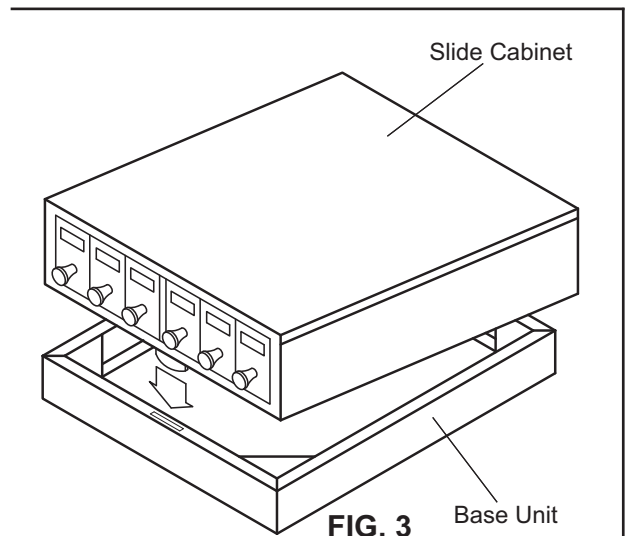
First hook the rear tab into the rear slot (**FIG. 1**), then lower the front tab into the front slot (**FIG. 2**). All cabinets, whether a single unit or several stacked cabinets must first start on a base unit (part no: SC100B). **FIG. 3**

2. Each slide cabinet comes complete with (12) foam rubber slide stops. To install, simply compress or squeeze each foam rubber slide stop and insert in each drawer as shown. **FIG. 4**

Features

Drawers have a safety stop to eliminate falling out when extended, however, they are easily removed for moving to a work station by simply tipping upward when fully extended as shown (**FIG. 5**).

Convenient label slots located at the front of the drawers allow for easy insertion and removal of label inserts (supplied), which can be easily printed for content designation.



Tech Support

If you have any questions or need technical assistance, please contact Quincy Lab customer support at:



Voice: 800-482-HEAT
Fax: 773-622-2282
Email: information@quincylab.com

Quincy Lab, Inc.
1925 N. Leamington Avenue
Chicago, Illinois 60639