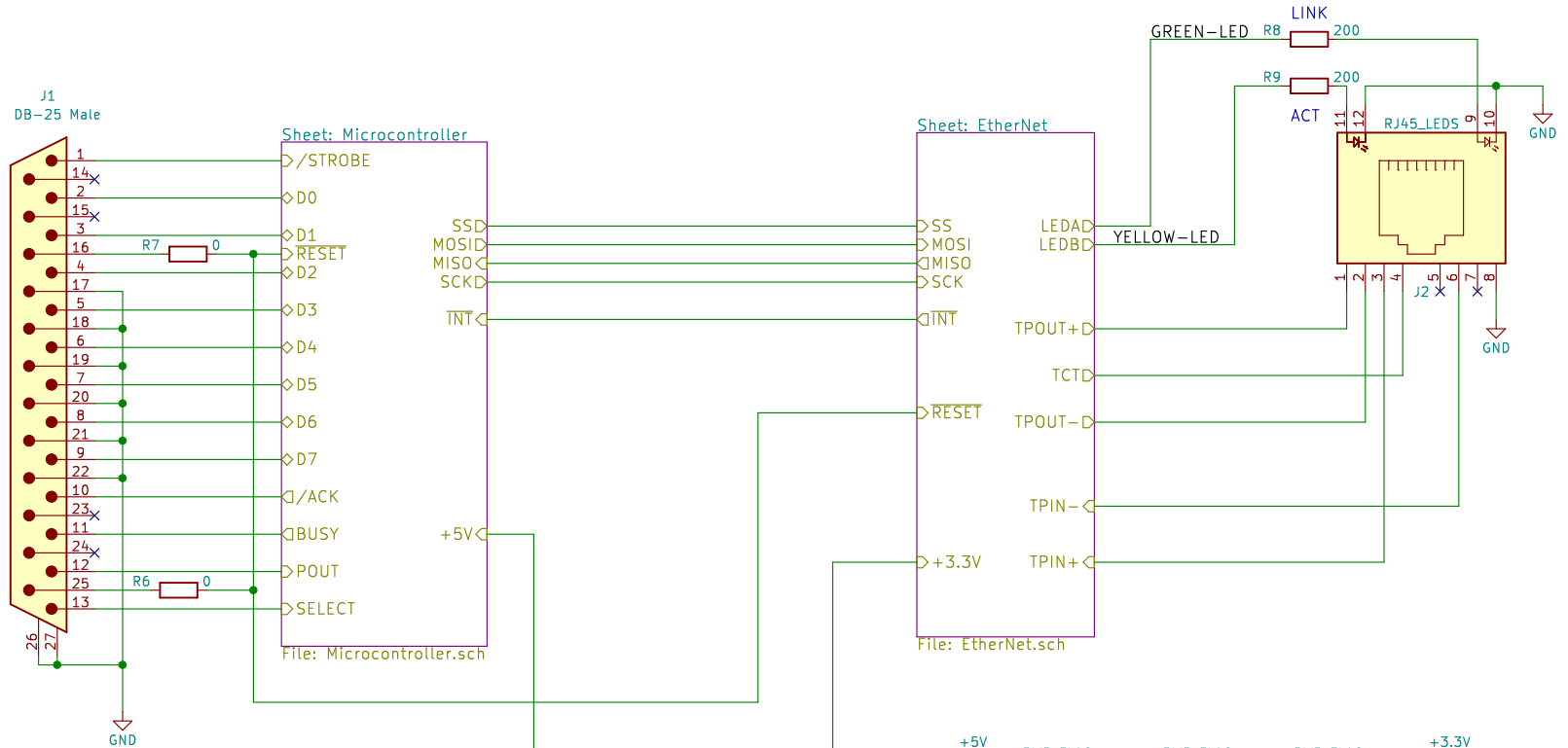
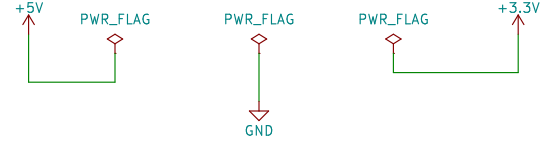


REVISIONS:		
DATE	VERSION	COMMENTS
081518	0.3	Initial Release.
102718	0.4	Updated silkscreen. Add revisions block to schematic.



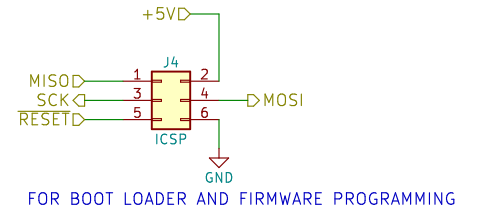
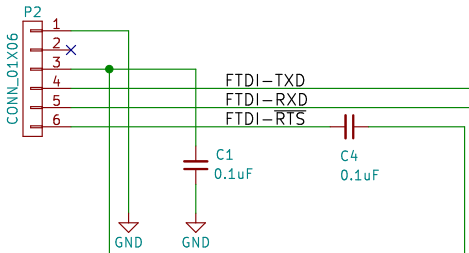
For A500/2000 install R7 remove R6.
For A1000 install R6 remove R7



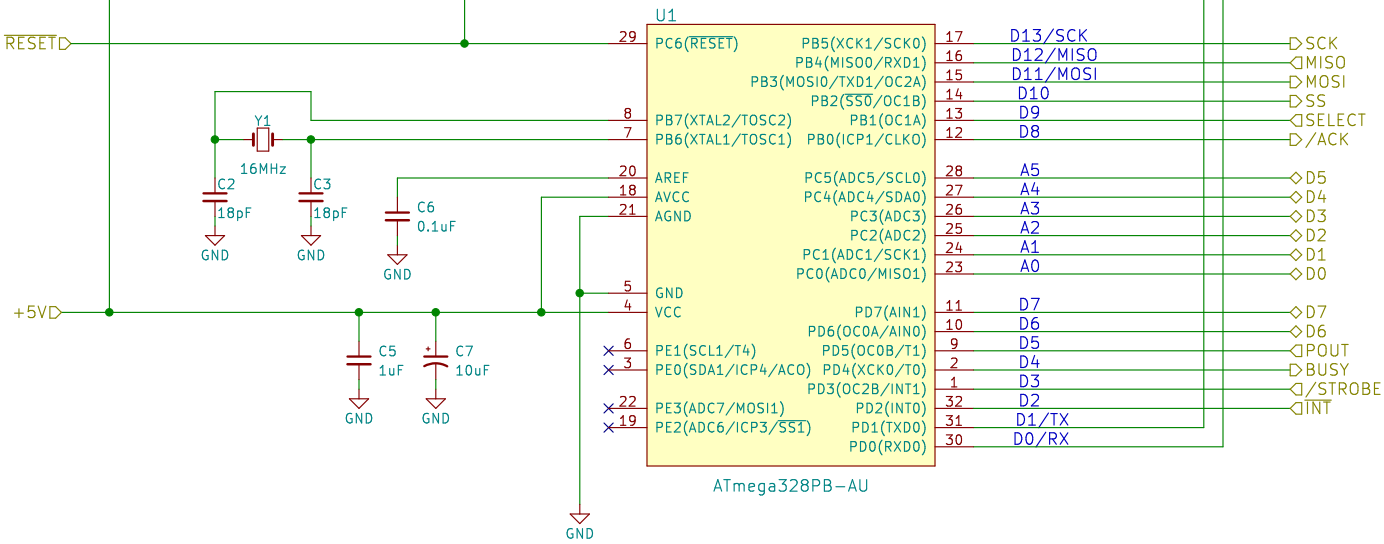
Engineer Carlos Santiago	
Electronics Is Fun	
Sheet: /	
File: GuruNet.sch	
Title: GuruNet	
Size: A	Date: 2018-10-27
KiCad E.D.A. kicad 4.0.7	Rev: 0.4
	Id: 1/4

USE FTDI TTL-232R-5.0V CABLE

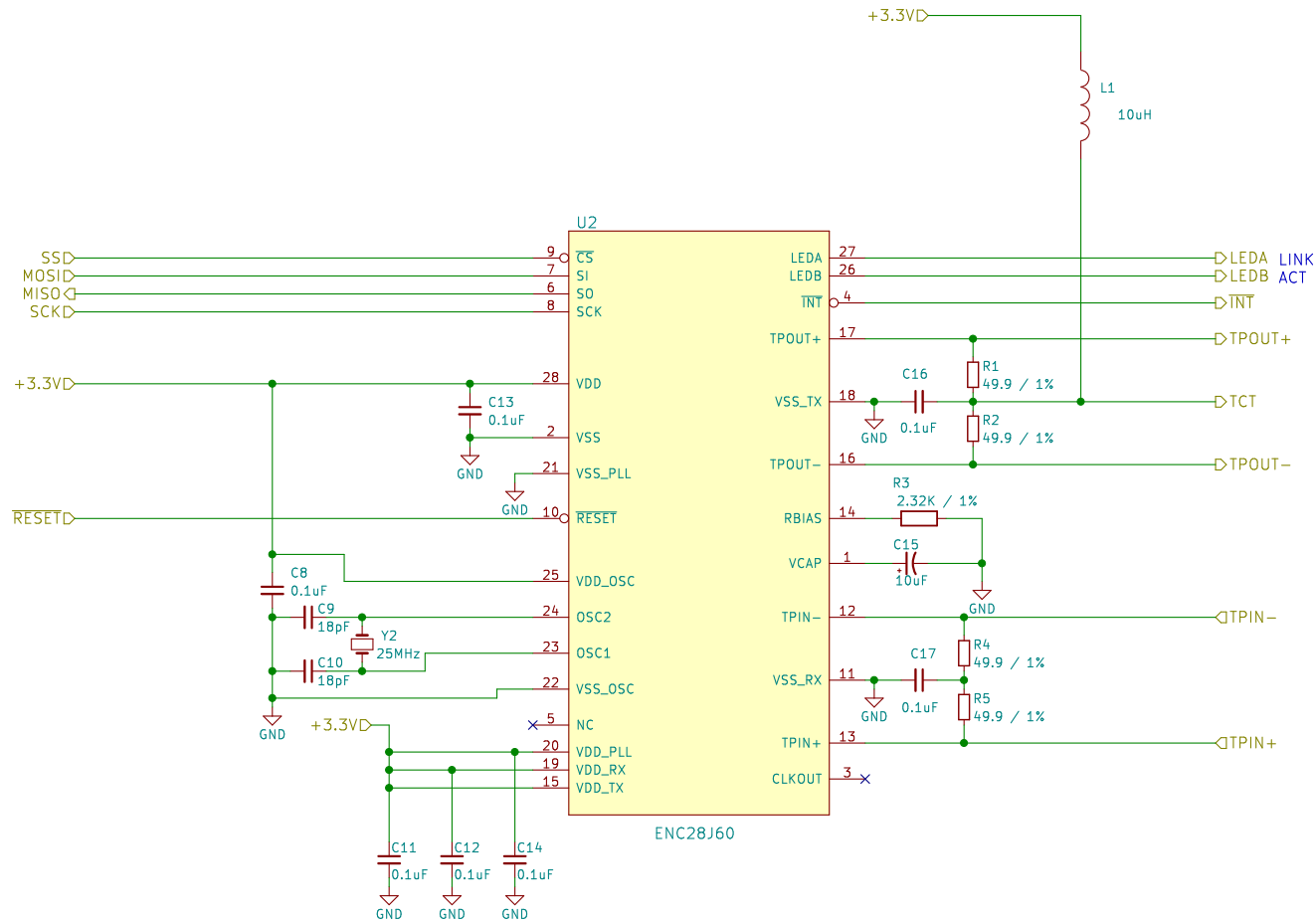
FOR DEBUGGING



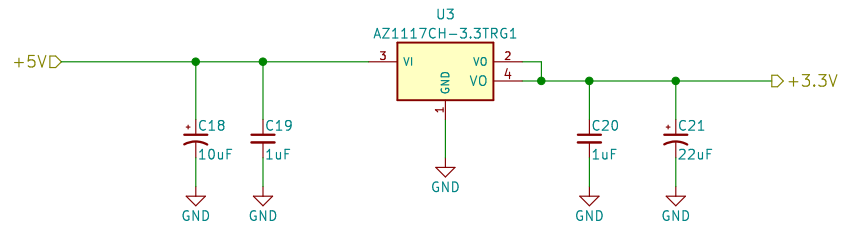
ARDUINO PIN NAMES



Microcontroller	
Engineer Carlos Santiago	
Electronics Is Fun	
Sheet: /Microcontroller/	
File: Microcontroller.sch	
Title: GuruNet	
Size: A	Date: 2018-10-27
KiCad E.D.A. kicad 4.0.7	Rev: 0.4
	Id: 2/4



Ethernet	
Engineer Carlos Santiago	
Electronics Is Fun	
Sheet: /EtherNet/	
File: EtherNet.sch	
Title: GuruNet	
Size: A4	Date: 2018-10-27
KiCad E.D.A. kicad 4.0.7	Rev: 0.4
	Id: 3/4



C18 and C21 are eiter ceramic or tantalum.

Power Supply
Engineer Carlos Santiago
Electronics Is Fun
Sheet: /Power Supply/
File: PowerSupply.sch

Title: GuruNet

Size: A Date: 2018-10-27
KiCad E.D.A. kicad 4.0.7

Rev: 0.4
Id: 4/4