

# GS 461-Z

Spare Parts List

06/12/2023

United States, English

## Muffler with spark arrestor

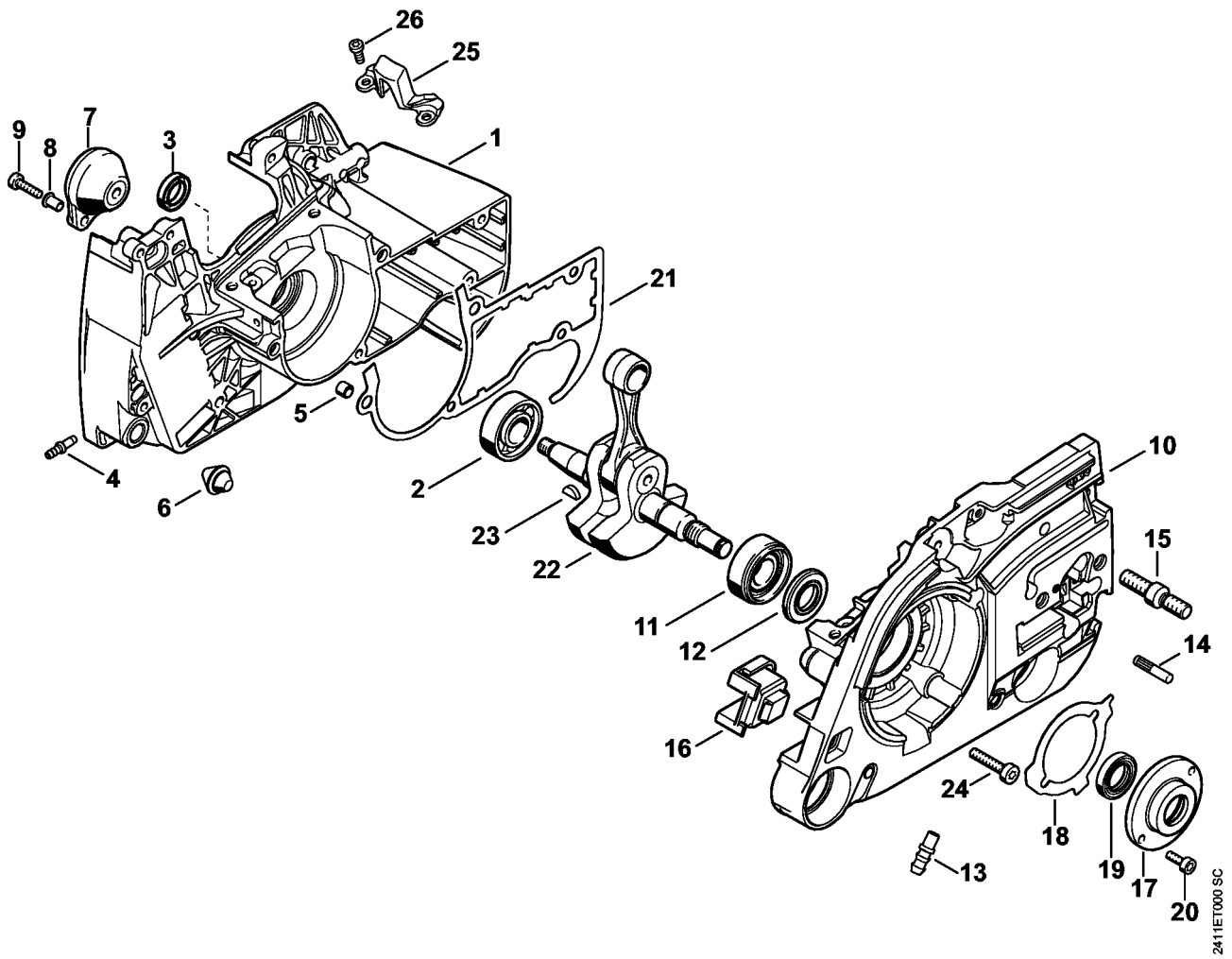
### Contents

Crankcase, Crankshaft .....	3	Assembly hook .....	60
Cylinder, Muffler .....	5	Stud puller, M8 .....	62
Clutch, Water connection .....	7	Assembly hook .....	64
Hand guard, Chain sprocket cover .....	9	Ignition system tester, ZAT 3 .....	66
Ignition system, Wiring harness .....	11	Ignition system tester, ZAT 4 .....	68
Rewind starter .....	13	Puller .....	70
Tank housing .....	15	Socket, 13 mm, long reach .....	72
AV system, Handlebar .....	17	Locking strip .....	74
Shroud, Air baffle .....	19	Screwdriver .....	76
Carburetor HD-50 .....	21	Installing tool, 12 .....	78
Guide bar, chain .....	24	Torque wrench .....	80
Tools, Extras .....	26	Jaw (profile No. 3.1 and 4) .....	82
Serial number .....	28	Drilled plate .....	84
Nipple .....	30	Screw sleeve .....	86
Clamping strap .....	32	Sleeve .....	88
Puller .....	34	Screw sleeve .....	90
Assembly drift .....	36	Plug .....	92
Installing sleeve .....	38	Assembly stand .....	94
Press sleeve .....	40	Service tool ZS .....	96
Installing sleeve .....	42	Puller .....	98
Press arbor .....	44	Punchdown tool .....	100
Sealing plate .....	46	Pump .....	102
Socket, T27x125 .....	48	Stud puller, M8-9.5 .....	104
Hose 135 mm / 5 5/16" .....	50	Service tool AS .....	106
Setting gauge .....	52	Piston support .....	108
Assembly tube .....	54	Collar screw .....	110
Flange .....	56	Tool kit 3/8" G .....	112
Installing tool, 8 .....	58	Screwdriver, T27x150 .....	114

# Contents

Service tool AS .....	116
Setting gauge .....	118

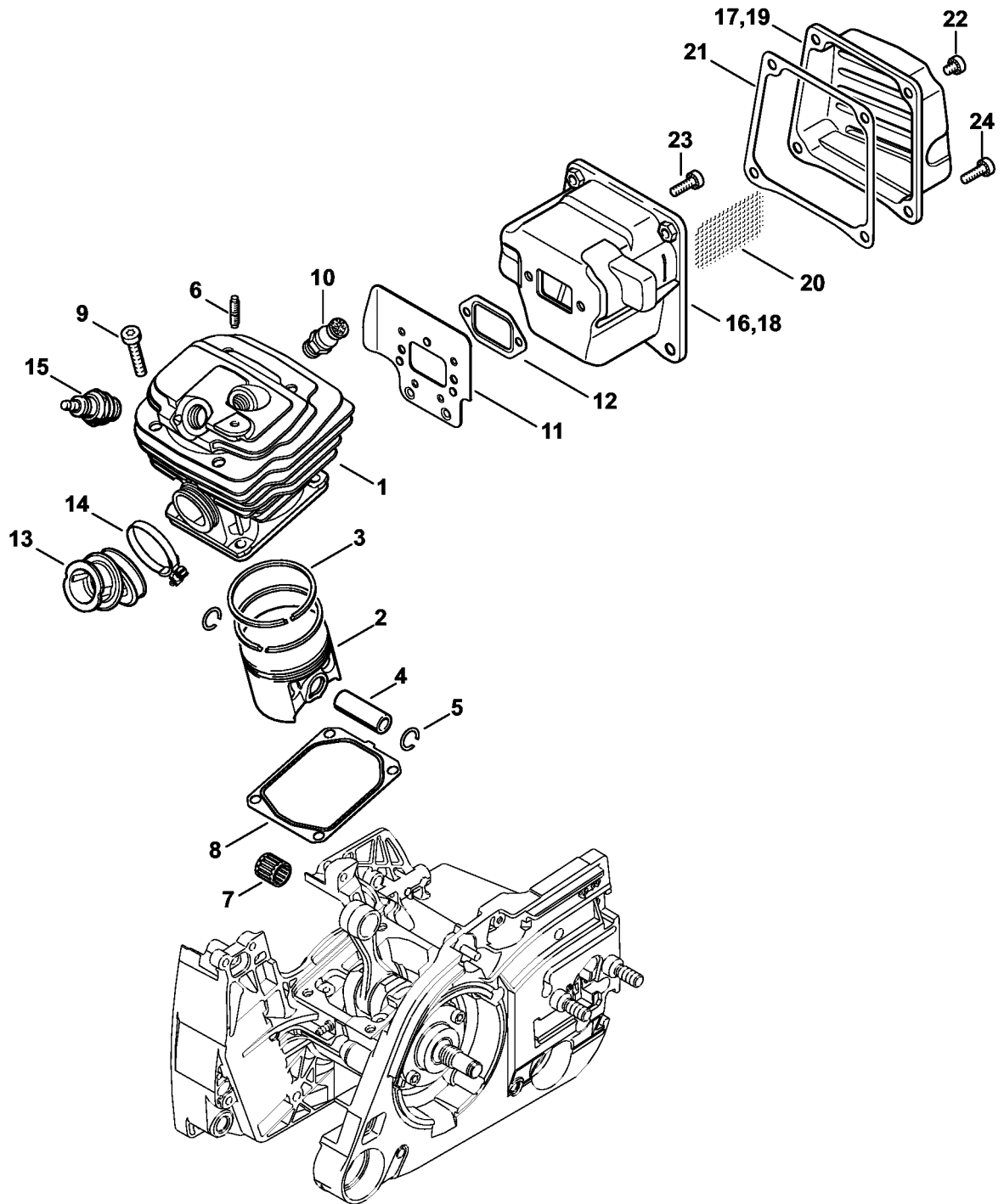
# Crankcase, Crankshaft



# Crankcase, Crankshaft

#	Part Number	Description	Quantity	Contains Item(s)	Remarks
1	1128 020 2612	Crankcase, fan side	1	2 - 9	
2	9503 003 0346	Grooved ball bearing 6202	1		
3	9640 003 1355	Oil seal 13.5x20x4	1		
4	0000 988 5211	Connector	1		
5	0000 988 8600	Sleeve	2		
6	1133 791 5900	Stop buffer	1		
7	1128 790 9909	Annular buffer	1	8	
8	9416 868 5630	Hollow rivet 5.5x0.5x6.8	2		
9	9022 313 0679	Spline screw IS-M4x16	2		
10	4252 020 2904	Crankcase	1	11 - 15	
11	9523 003 4278	Grooved ball bearing 5x35x13	1		
12	9640 003 1600	Oil seal 15x29.6x4	1		
13	0000 988 5200	Connector	1		
14	1121 162 5205	Pin	1		
15	0000 664 2413	Collar screw M8	2		
16	1124 791 2800	Stop buffer	1		
17	4252 020 1800	Flange	1	18, 19	
18	4252 029 0500	Gasket	1		
19	9638 003 1581	Oil seal 15x25x5	1		
20	9022 313 0660	Spline screw IS-M4x12	2		
21	1128 029 0505	Gasket	1		
22	1128 030 0402	Crankshaft	1	23	
23	1120 036 8500	Woodruff key 2x3.7	1		
24	9022 371 1050	Spline screw IS-M5x25	5		
25	1128 021 8100	Flange	1		
26	9022 313 0651	Spline screw IS-M4x10	2		
	1128 007 1600	Set of gaskets	1	3, 12, 21	

# Cylinder, Muffler

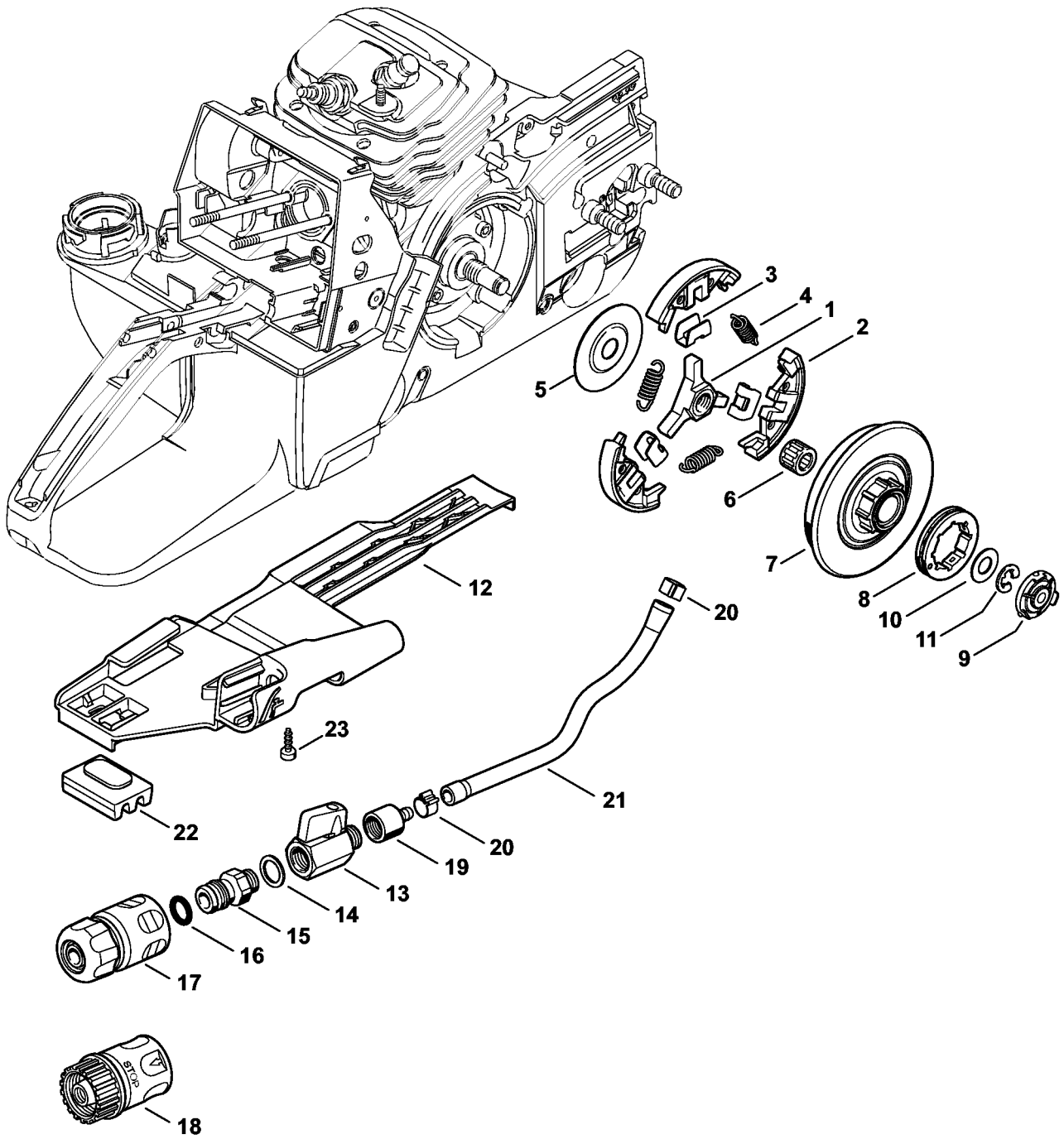


2411ET001 SC

# Cylinder, Muffler

#	Part Number	Description	Quantity	Contains Item(s)	Remarks
1	1128 020 1250	Cylinder with piston Ø 52 mm	1	2 - 6	
2	1128 030 2051	Piston Ø 52 mm	1	3 - 5	
3	1122 034 3000	Piston ring Ø 52x1.2 mm	2		
4	1128 034 1501	Piston pin 12x8x35	1		
5	9463 650 1200	Snap ring 12x1	2		
6	0000 953 0807	Stud M5	1		
7	9512 003 3061	Needle cage 12x15x15	1		
8	1128 029 2310	Cylinder gasket	1		
9	9022 341 1370	Pan head screw IS M6x30	4		
10	1128 020 9400	Decompression valve	1		
11	1128 141 3203	Cooling plate	1		
12	1125 149 0601	Muffler gasket	1		
13	1128 141 2203	Manifold	1		
14	9771 021 2578	Hose clip Ø 34x5	1		
15	0000 400 7000	Spark plug NGK BPMR7A	1		
18	1128 140 0651	Muffler	1	19, 20	USA, CDN, AUS, NZ
19	1128 145 0804	Exhaust casing	1		USA, CDN, AUS, NZ
20	1118 141 9006	Screen	1		USA, CDN, AUS, NZ
21	1128 149 0500	Gasket	1		
22	9022 341 0911	Spline screw IS-M5x6	2		
23	9022 341 0980	Pan head screw IS M5x16	2		
24	9022 341 1370	Pan head screw IS M6x30	2		
	1128 007 1600	Set of gaskets	1	8, 12, 21	

# Clutch, Water connection



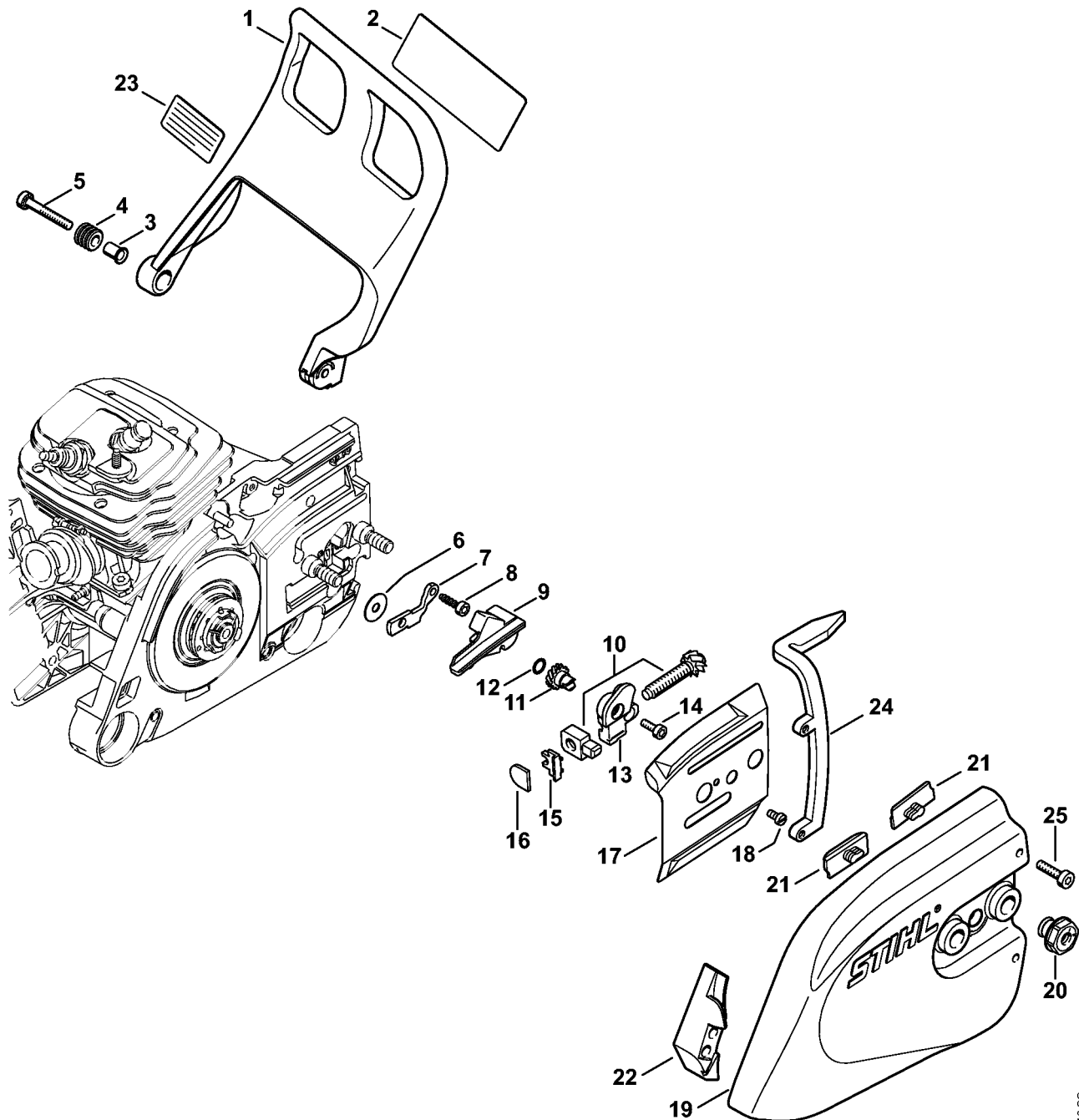
2411ET002 SC

# Clutch, Water connection

#	Part Number	Description	Quantity	Contains Item(s)	Remarks
	4252 160 2000	Clutch	1	1 - 4	
1	1128 162 3202	Carrier	1		
2	4252 162 0801	Clutch shoe	3		
3	1128 162 3000	Retainer	3		
4	0000 997 0912	Tension spring	3		
5	1128 162 1001	Cover washer 58 mm / 2 5/16"	1		
6	9512 933 2380	Needle cage 10x16x12	1		
7	4252 160 2904	Clutch drum	1		
8	0000 642 1152	Rim sprocket 3/8" 8T G	1		
9	4252 642 1900	Cap	1		
10	0000 958 1025	Washer Ø 20 mm	1		
11	9460 624 0801	E-clip 8x1,3	1		
12	4252 791 7601	Support	1		
13	4201 700 4500	Shut-off cock 1/4"	1		
14	0000 954 1701	Sealing ring	1		
15	4201 700 7300	Hose connector	1	16	
16	9645 945 7506	O-ring 10x3	1		
17	4201 670 1700	Coupling sleeve 1/2"	1		
18	4201 670 1701	Coupling sleeve 3/4"	1		USA, CDN
19	4238 677 8200	Connector	1		
20	9771 021 0921	Hose clip 10/7	2		
21		Hose 5.6x1.9x227 mm / 8 11/16"	1		
	0000 937 4049	Hose 5.6x1.9 mm x 1 m	1		
22	4221 792 9300	Rubber buffer	1		
23	9104 003 3004	Screw IS P4x14	1		



# Hand guard, Chain sprocket cover

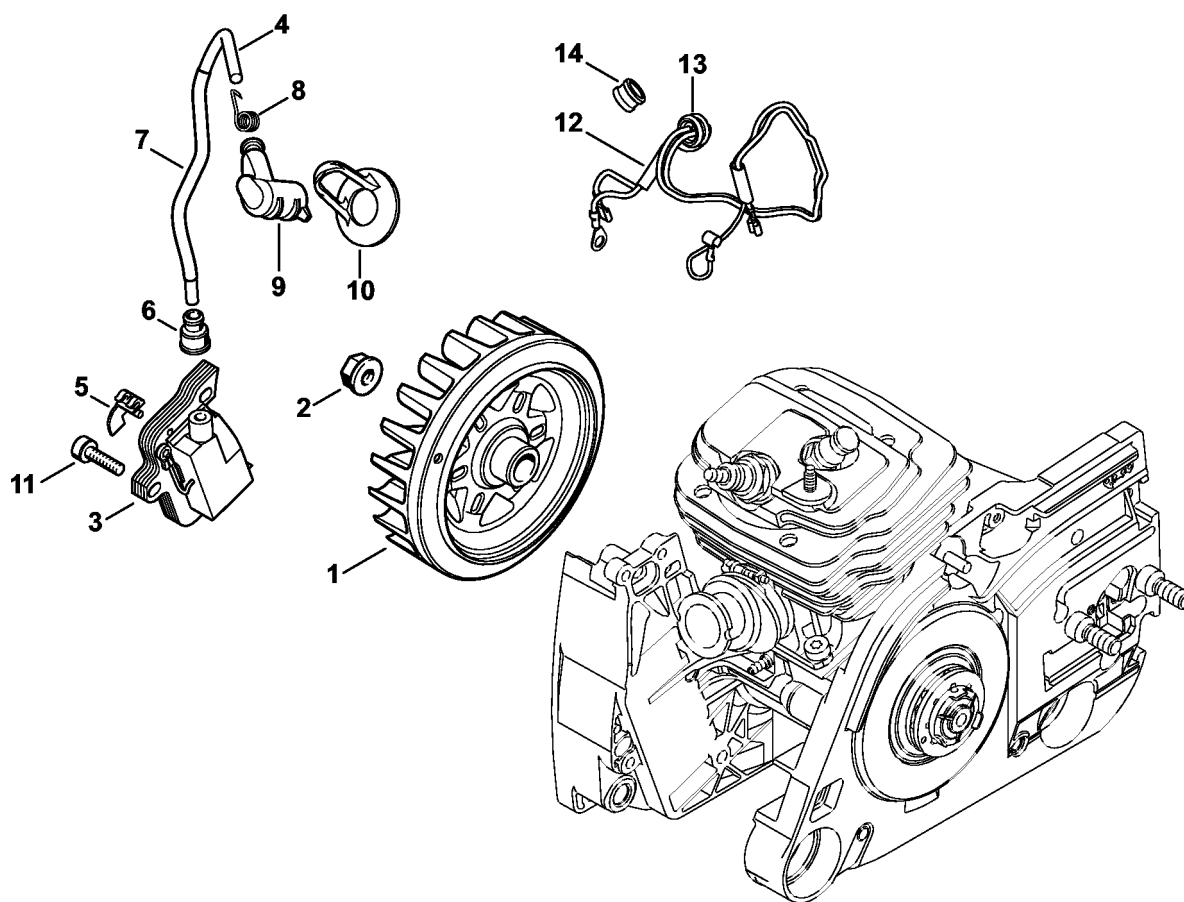


2411ET016 SC

# Hand guard, Chain sprocket cover

#	Part Number	Description	Quantity	Contains Item(s)	Remarks
1	1128 790 9152	Hand guard	1	2 - 5	
2	1124 084 8300	Reflector foil	1		
3	1124 792 5500	Bushing	1		
4	1124 792 5505	Bushing	1		
5	9022 341 1080	Spline screw IS-M5x35	1		
6	4252 021 7000	Washer	1		
7	4252 791 3200	Insert	1		
8	9075 478 3016	Pan head self-tapping screw IS-D4x16	1		
9	4252 792 9300	Rubber buffer	1		
10	4252 660 0300	Chain adjusting screw/bracket kit	1		
11	1125 664 3201	Spur gear	1		
12	9646 945 0490	O-ring 7x1.5	1		
13	4252 664 2201	Cover	1		
14	9022 313 0660	Spline screw IS-M4x12	1		
15	4252 664 1400	Thrust pad	1		
16	4252 664 0700	Limit stop	1		
17	4252 664 1000	Inner side plate	1		
18	9022 313 0633	Spline screw IS-M4x8	1		
19	4252 640 1700	Chain sprocket cover	1	20 - 22	
20	0000 995 0806	Collar nut M8	2		
21	1121 648 6610	Bumper strip	2		
22	4252 656 1500	Guard	1		
23	0000 967 3909	Instruction label	1		USA
	4252 660 0900	Cut guide	1	24, 25	
24	4252 664 0100	Cut guide	1		
25	9022 341 0960	Spline screw IS-M5x12	2		

# Ignition system, Wiring harness

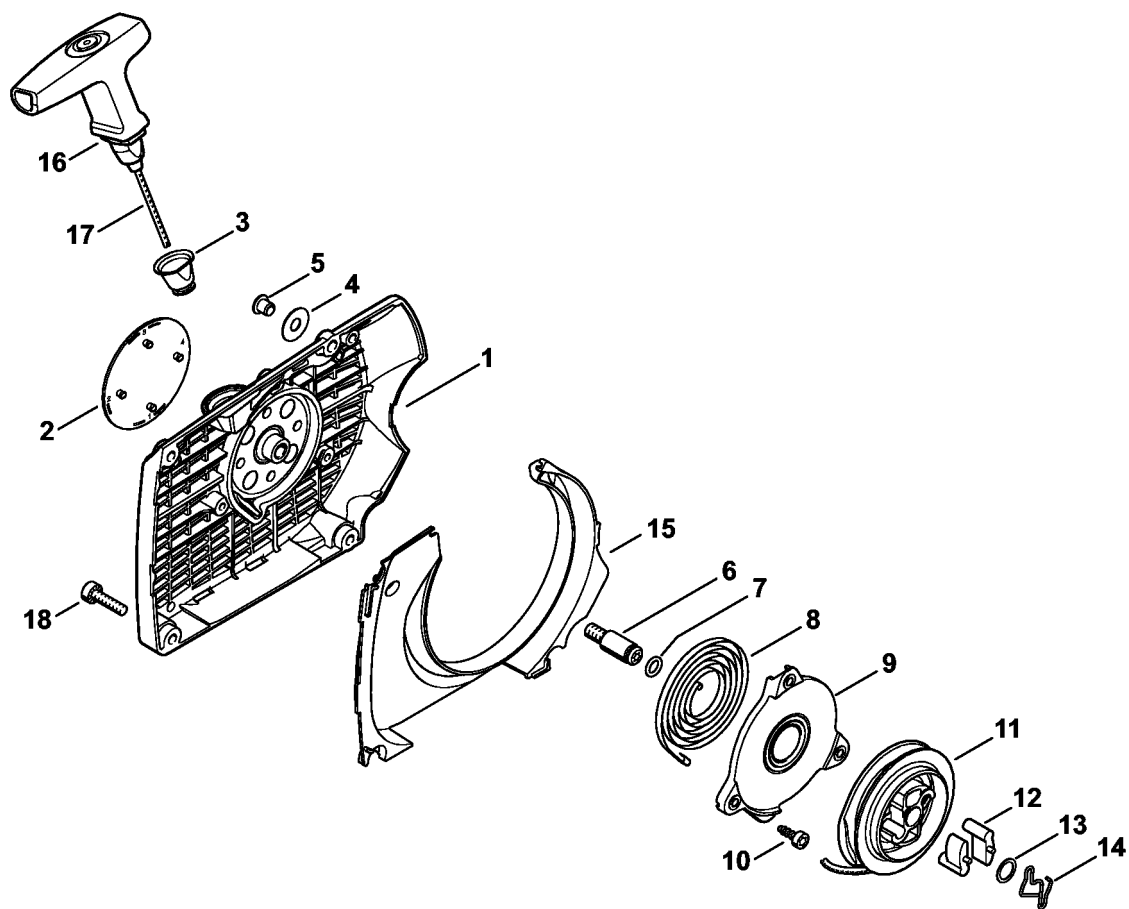


2411ET004 SC

# Ignition system, Wiring harness

#	Part Number	Description	Quantity	Contains Item(s)	Remarks
1	1128 400 1211	Flywheel	1		
2	0000 955 0802	Collar nut M8x1	1		
3	1128 400 1313	Ignition module	1	4 - 6	
4		Ignition lead 163 mm	1		
	0000 405 0600	Ignition lead 1 m	1		
	0000 930 2251	Ignition lead 10 m	1		
5	0000 448 1250	Lead retainer	1		
6	0000 989 1010	Grommet	1		
7	1122 442 0400	Insulating hose 100 mm / 4"	1		
8	0000 998 0604	Spark plug contact spring	1		
9	1128 405 1000	Spark plug boot	1		
10	1128 084 1400	Spark plug boot cover	1		
11	9022 341 1019	Spline screw IS-M5x20	3		
12	4252 440 3001	Wiring harness	1	13	
13	0000 989 0814	Grommet	1		
14	1125 084 8900	Grommet	1		

# Rewind starter

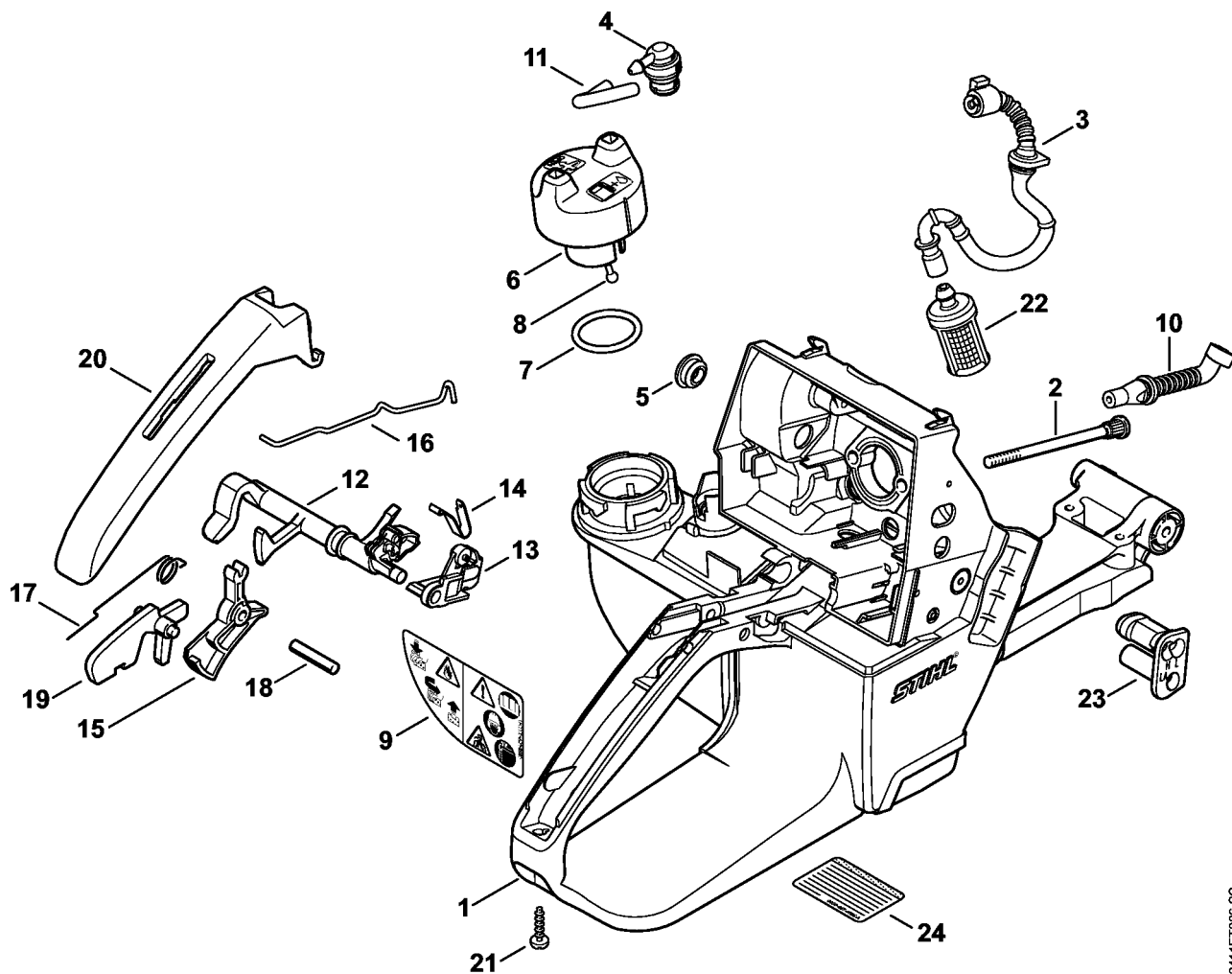


2411ET005 SC

# Rewind starter

#	Part Number	Description	Quantity	Contains Item(s)	Remarks
	4252 080 2101	Fan housing with rewind starter	1	1 - 17	
1	4252 080 1802	Fan housing	1	2 - 7, 13	
2	4252 967 1500	Model plate GS 461	1		
3	1110 084 9102	Bushing	1		
4	0000 958 0607	Washer	1		
5	9416 868 6530	Hollow rivet 6.5x0.5x6.8	1		
6	4252 080 6500	Axle	1	7, 13	
7	9645 945 7448	O-ring 7x1.8	1		
8	1135 190 0600	Rewind spring	1		
9	4252 190 0700	Spring housing	1		
10	9075 478 2995	Pan head self-tapping screw IS-D4x12	3		
11	4252 190 1000	Rope rotor	1		
12	4252 195 7200	Pawl	2		
13	0000 958 0923	Washer	1		
14	1128 195 3500	Spring	1		
15	1128 084 7802	Segment	1		
16	4252 190 3400	Starter grip ElastoStart Ø 3.5 mm	1	17	
17	0000 190 2905	Starter rope Ø 3.5x945 mm	1		
	0000 930 2000	Starter rope Ø 3.5 mm / 28 pieces	1		
18	9022 371 1020	Pan head screw IS M5x20	3		

# Tank housing



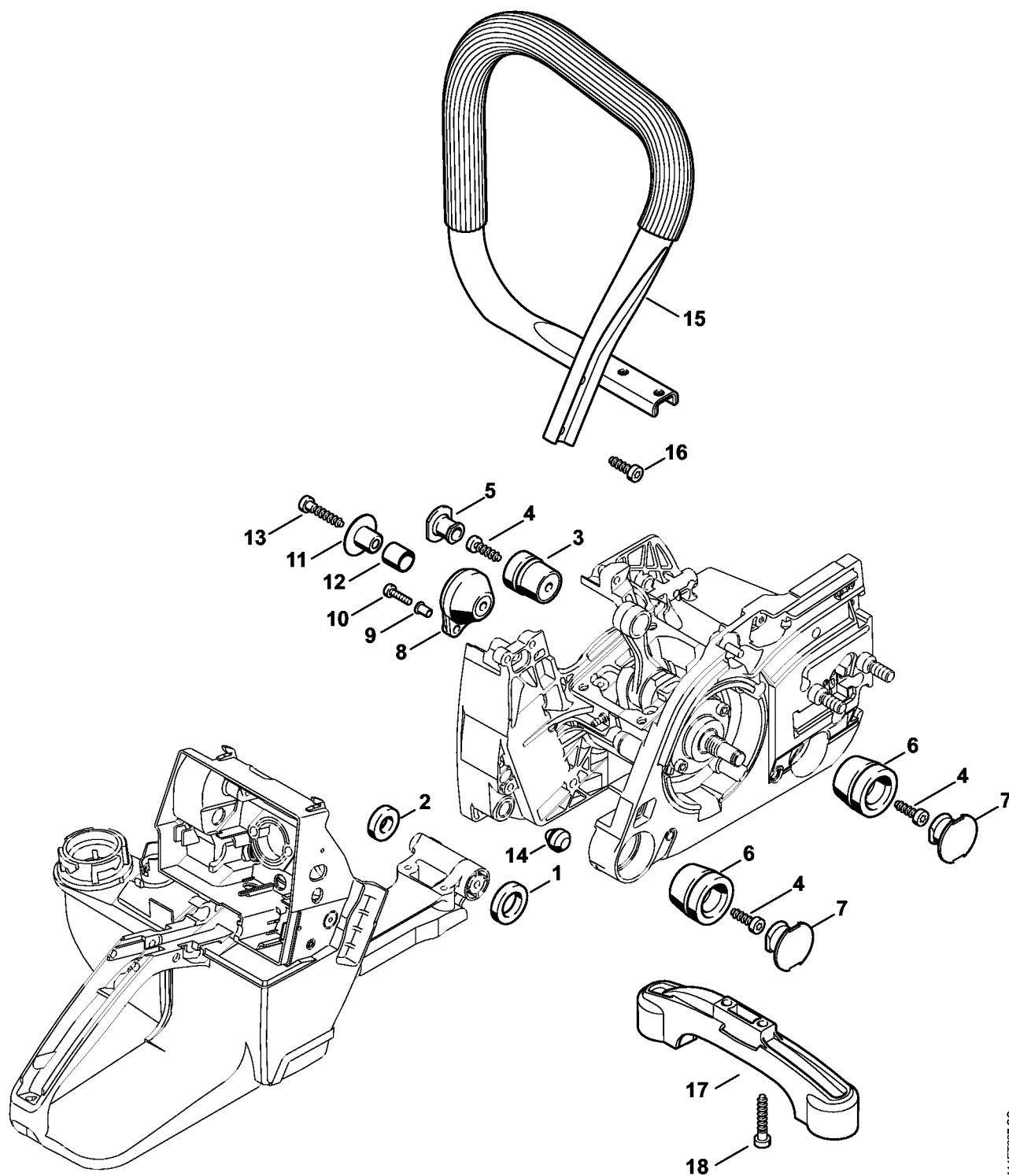
2411ET006 SC

# Tank housing

#	Part Number	Description	Quantity	Contains Item(s)	Remarks
1	4252 350 0800	Tank housing	1	2 - 9	
2	1128 122 6603	Collar screw	2		
3	4252 350 7600	Hose	1		
4	0000 350 5807	Tank vent	1		
5	1110 145 9001	Plug	1		
6	0000 350 0514	Filler cap	1	7, 8	
7	9645 948 2471	O-ring 23x3	1		
8	0000 350 0905	Rope	1		
9	4252 967 7200	Warning pictogram GS	1		
10	1128 141 8600	Impulse hose	1		
11	4252 358 0800	Hose	1		
12	4252 182 0900	Switch shaft	1		
13	4252 182 1200	Switch housing	1		
14	4252 442 1600	Contact spring	1		
15	1128 182 1005	Throttle trigger	1		
16	1128 182 1500	Throttle rod	1		
17	1117 182 4500	Torsion spring	1		
18	9371 470 2640	Cylindrical pin 5x24	1		
19	1117 182 0805	Lockout lever	1		
20	1128 791 0600	Handle molding	1		
21	9074 478 3076	Pan head self-tapping screw IS-P4x19	1		
22	0000 350 3518	Pickup body	1		
23	1128 123 7502	Grommet	1		
24	0000 967 4066	Warning Spark arresting screen	1		USA



# AV system, Handlebar

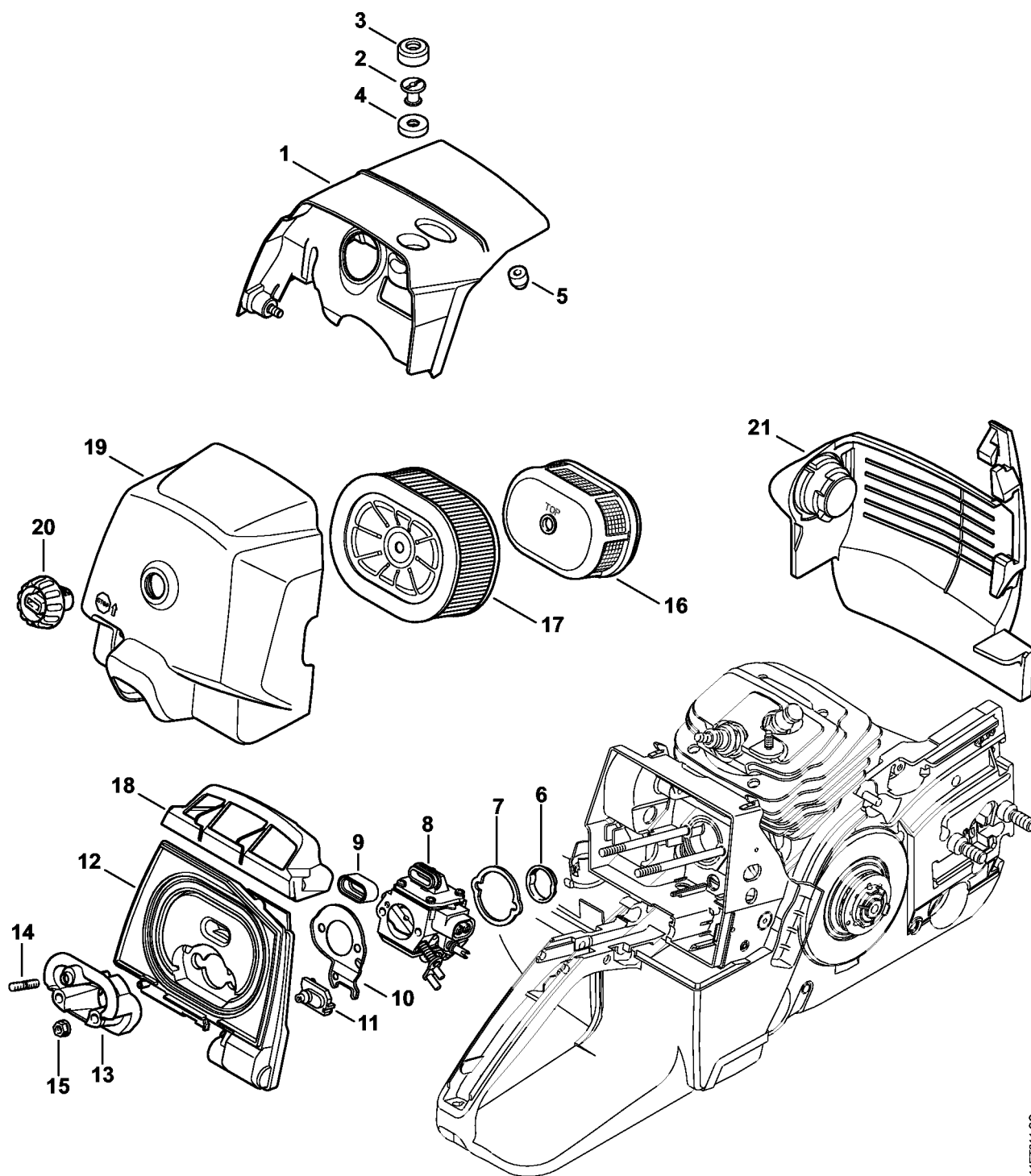


2411ET007 SC

# AV system, Handlebar

#	Part Number	Description	Quantity	Contains Item(s)	Remarks
1	1128 791 8401	Ring	1		
2	1128 791 8400	Ring	1		
3	1122 790 9905	Annular buffer 1122/05	1		
4	9074 478 4435	Pan head self-tapping screw IS-P6x19	3		
5	1122 791 7301	Plug	1		
6	1121 790 9904	Annular buffer	2		
7	1125 791 7306	Plug	2		
8	1128 790 9909	Annular buffer	1	9	
9	9416 868 5630	Hollow rivet 5.5x0.5x6.8	2		
10	9022 313 0679	Spline screw IS-M4x16	2		
11	1128 791 7200	Sleeve	1		
12	4252 791 8400	Ring	1		
13	9074 478 4675	Pan head self-tapping screw IS-P6x32.5	1		
14	1133 791 5900	Stop buffer	1		
15	1128 790 1753	Handlebar	1		
16	9074 478 4475	Pan head self-tapping screw IS-P6x21.5	2		
17	4252 791 7600	Support	1		
18	9074 478 4675	Pan head self-tapping screw IS-P6x32.5	2		

# Shroud, Air baffle

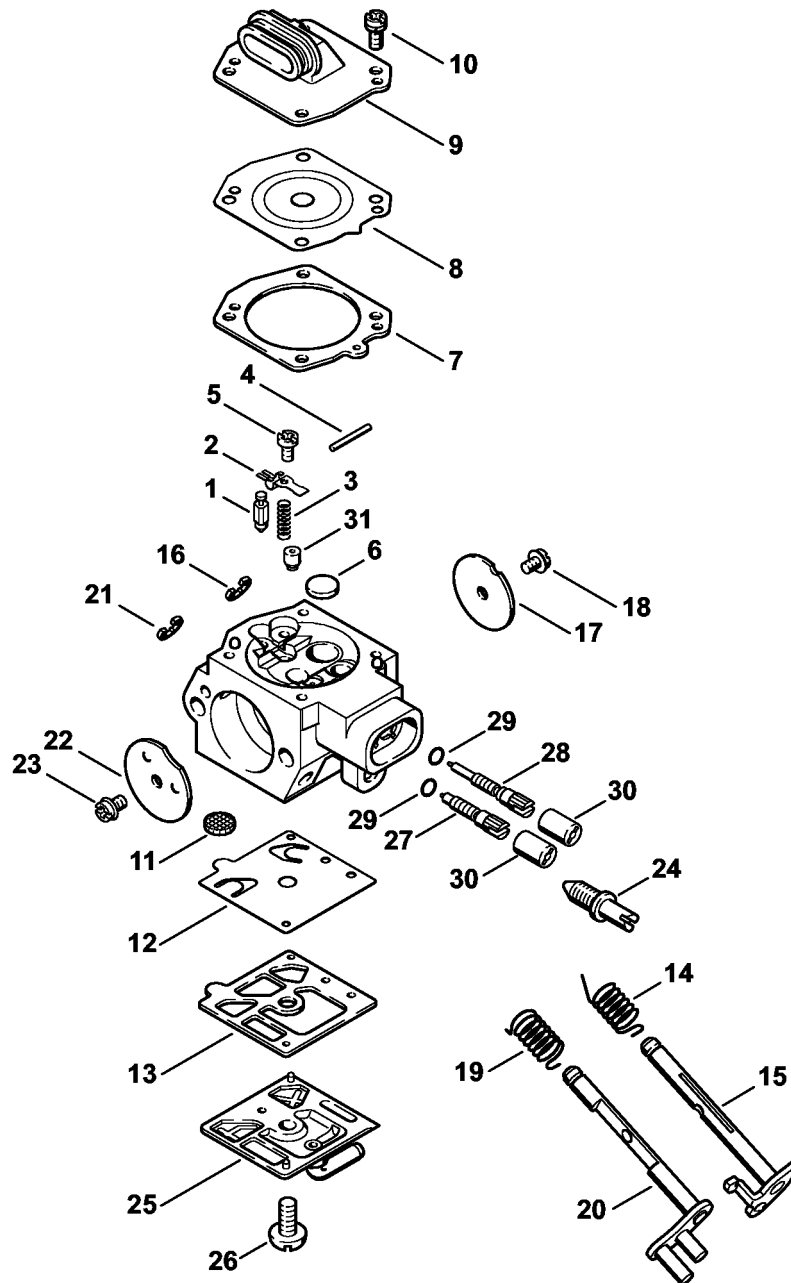


2411ET01 SC

# Shroud, Air baffle

#	Part Number	Description	Quantity	Contains Item(s)	Remarks
1	4252 080 1603	Shroud	1	1 - 5	
2	1121 084 7000	Slotted nut	1		
3	1121 084 6901	Insulator	1		
4	1135 028 1002	Grommet	1		
5	1121 084 7100	Cap	1		
6	1117 141 1800	Sleeve	1		
7	1128 121 8600	Washer	1		
8	1128 120 0629	Carburetor HD-50A	1		
9	1124 121 9100	Bushing	1		
10	1128 121 7000	Baffle	1		
11	1128 182 0700	Grommet	1		
12	4252 140 1201	Filter base	1		
13	1128 120 2202	Flange	1	14	
14	9121 319 0960	Stud M5x12x9	1		
15	9216 261 0700	Hexagon nut M5	2		
16	4252 140 1800	Auxiliary filter	1		
17	0000 140 4407	Air filter HD2	1		
18	1128 141 6302	Air baffle	1		
19	4252 140 1000	Filter cover	1	20	
20	1124 140 9500	Twist lock	1		
21	4252 021 3700	Guard	1		

# Carburetor HD-50



2411ET009 SC

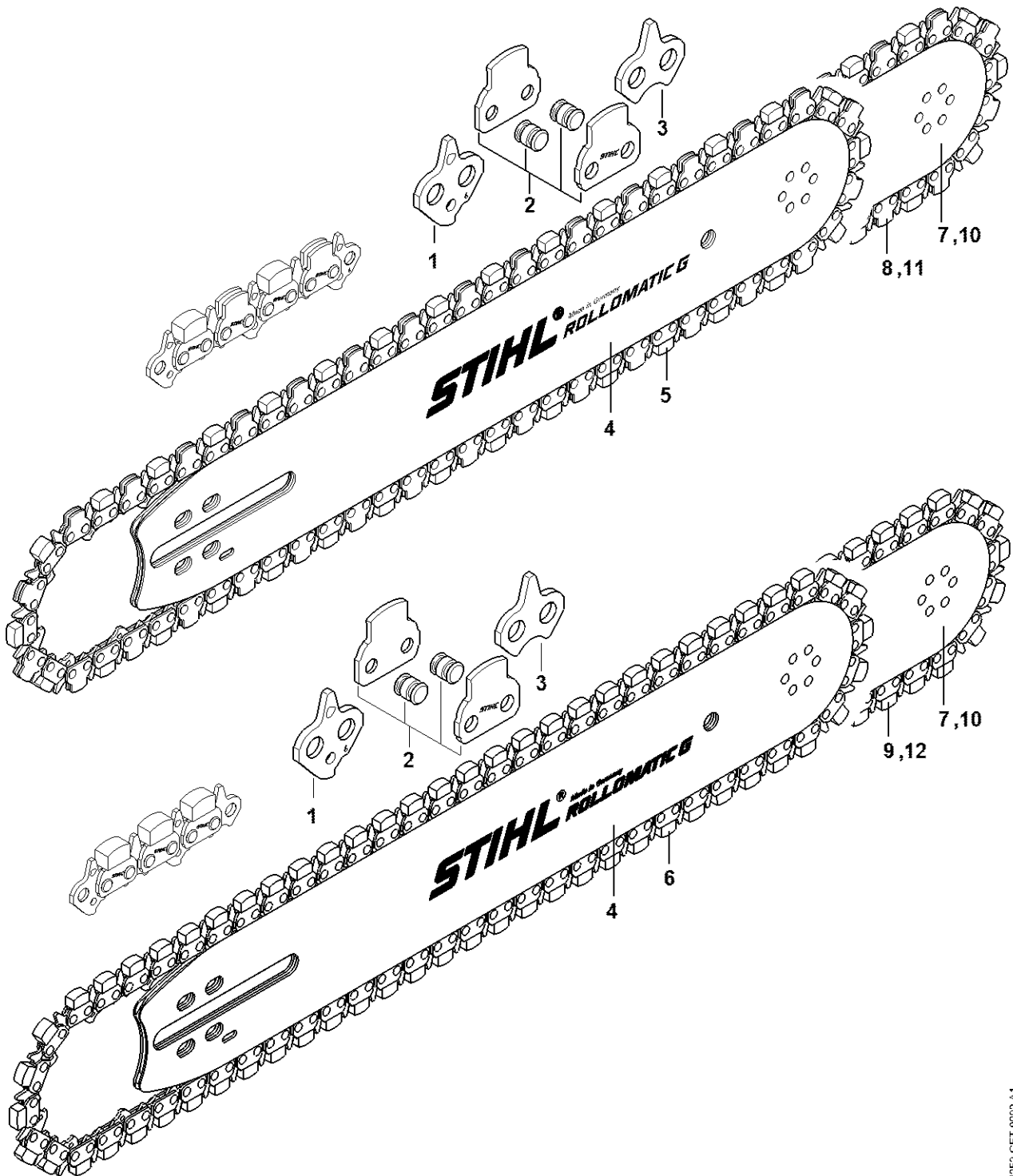
# Carburetor HD-50

#	Part Number	Description	Quantity	Contains Item(s)	Remarks
	1128 120 0629	Carburetor HD-50A	1	1 - 31	
1	4116 121 5100	Inlet needle	1		
2	4116 121 5000	Inlet control lever	1		
3	1128 122 3002	Spring	1		
4	1113 121 9200	Spindle	1		
5	1114 122 7400	Round head screw	1		
6	4117 122 9402	Plug	1		
7	1128 129 0906	Gasket	1		
8	4116 121 4700	Metering diaphragm	1		
9	1128 121 0801	End cover	1		
10	1121 122 7101	Screw	4		
11	1114 121 7800	Strainer	1		
12	4116 121 4800	Pump diaphragm	1		
13	4116 129 0902	Gasket	1		
14	1127 122 3205	Torsion spring	1		
15	1127 120 7100	Throttle shaft with lever	1		
16	1117 122 9000	E-clip	1		
17	1128 121 3302	Throttle shutter	1		
18	4224 122 7801	Oval head screw	1		
19	1128 122 3207	Torsion spring	1		
20	1128 120 7202	Choke shaft with lever	1		
21	1123 122 9000	E-clip	1		
22	1122 121 2900	Choke shutter	1		
23	1121 122 7102	Round head screw	1		
24	1127 122 6200	Idle speed screw	1		
25	1127 121 0800	End cover	1		
26	1114 122 7100	Screw	1		

# Carburetor HD-50

#	Part Number	Description	Quantity	Contains Item(s)	Remarks
27	4203 122 6703	High speed screw	1	29	
28	1128 122 6808	Low speed screw	1	29	
29		Sealing ring	1		
30	4203 121 2700	Cap	2		
31	1127 121 5602	Fixed jet 0.58	1		
	1128 007 1066	Set of carburetor parts	1	1 - 3, 7, 8, 11 - 13	

# Guide bar, chain

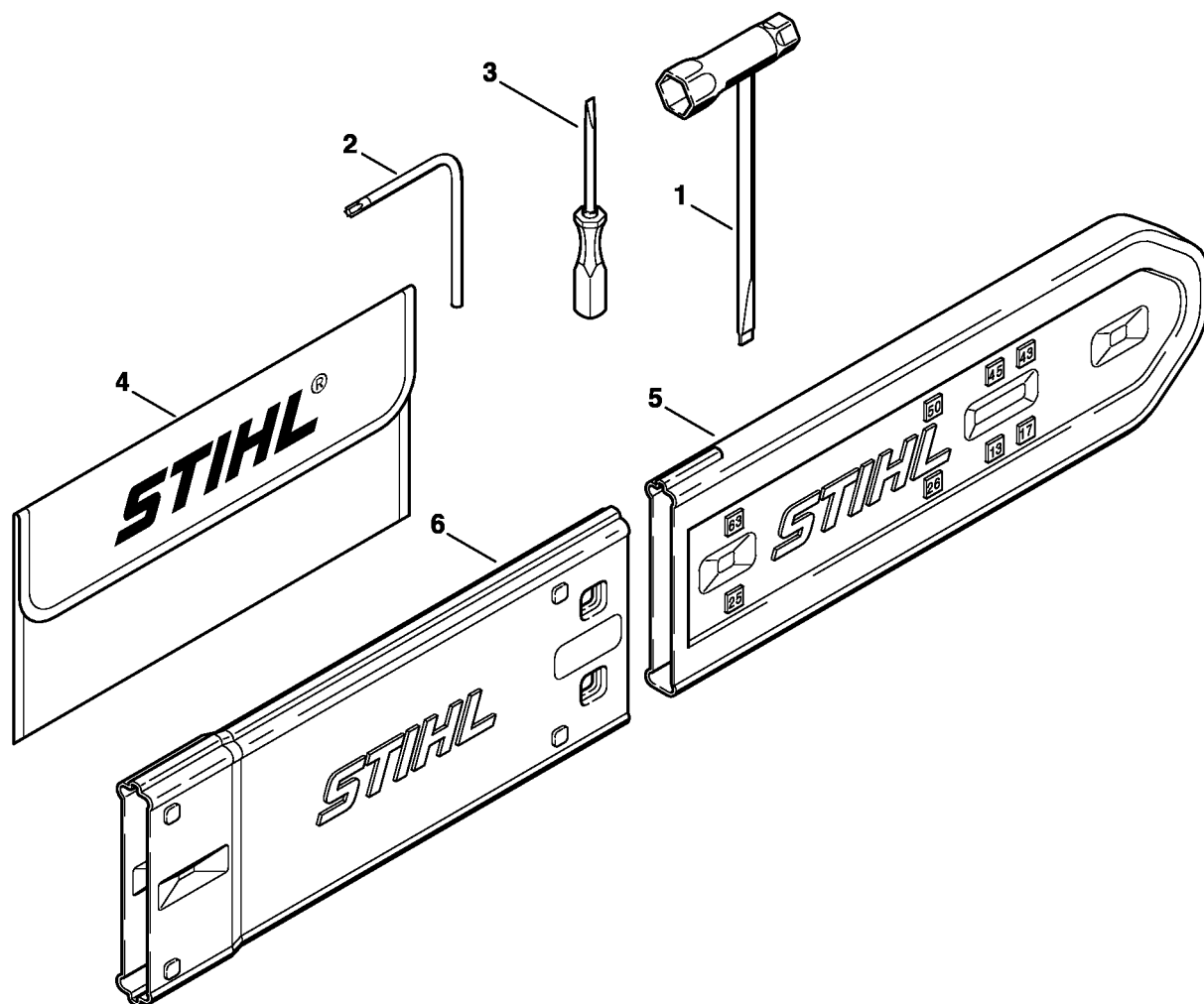


4252-GET-0002-A1



# Guide bar, chain

#	Part Number	Description	Quantity	Contains Item(s)	Remarks
1	3210 662 1150	Set of hump drive link 3/8" G	1		10 pieces
2	3210 007 1000	Kit preset closing link	1		5 pieces
3	3210 662 1151	Hump drive link 3/8" G short	1		10 pieces
4	3006 000 1205	Guide bar G 30cm/12" 1,6mm/0.063" 3/8"	1		
5	3211 005 0054	36 GBE Diamond abrasive chain, 3.294 ft.	1		
6	3210 005 0054	36 GBM Diamond abrasive chain, 3.294 ft.	1		
7	3006 000 1213	Guide bar G 40 cm / 16"	1		
8	3211 005 0064	36 GBE Diamond abrasive chain, 3.904 ft.	1		
9	3210 005 0064	36 GBM Diamond abrasive chain, 3.904 ft.	1		
10	3006 000 1513	Guide bar G 40cm/16" 1,6mm/0.063" 3/8"	1		
11	3213 005 0064	36 GBM Diamond abrasive chain, 3.904 ft.	1		
12	3214 005 0064	36 GBE Diamond abrasive chain, 3.904 ft.	1		

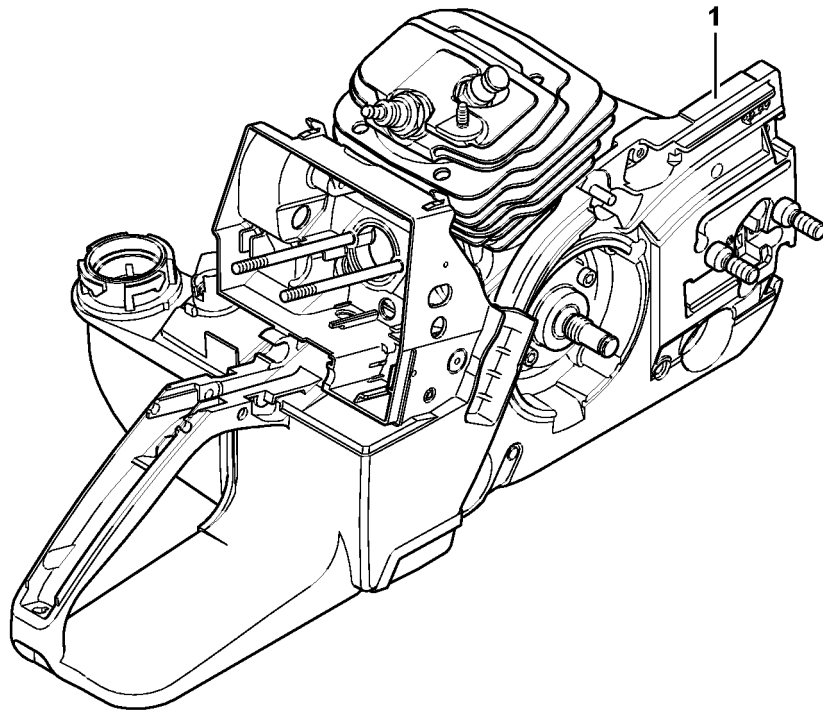


2411ET010 SC

# Tools, Extras

#	Part Number	Description	Quantity	Contains Item(s)	Remarks
	1121 890 1400	Tool kit	1	1 - 4	
1	1129 890 3401	Combination wrench	1		
2	0812 370 1000	Screwdriver T27x120x70	1		
3	0000 890 2300	Screwdriver	1		
4	0000 891 0810	Tool roll	1		
5	0000 792 9129	Chain scabbard	1		
6	0000 792 9132	Chain scabbard extension up to 63 cm	1		

# Serial number

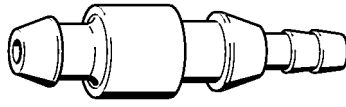


2411ET015 SC

# Serial number

#	Part Number	Description	Quantity	Contains Item(s)	Remarks
1		Position of serial number	1		

# Nipple

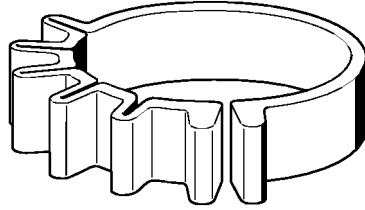


901SW008 GM

# Nipple

#	Part Number	Description	Quantity	Contains Item(s)	Remarks
	0000 855 9200	Nipple	1		

# Clamping strap



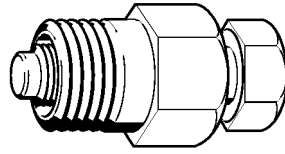
901SW011 GM



# Clamping strap

#	Part Number	Description	Quantity	Contains Item(s)	Remarks
	0000 893 2600	Clamping strap	1		

# Puller

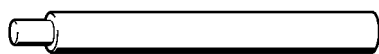


901SW020 GM

# Puller

#	Part Number	Description	Quantity	Contains Item(s)	Remarks
	1110 890 4500	Puller	1		

# Assembly drift

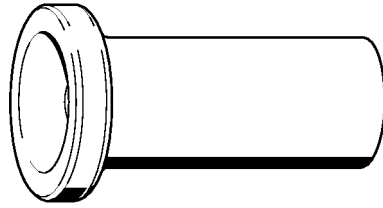


901SW023 GM

# Assembly drift

#	Part Number	Description	Quantity	Contains Item(s)	Remarks
	1108 893 4700	Assembly drift	1		

# Installing sleeve

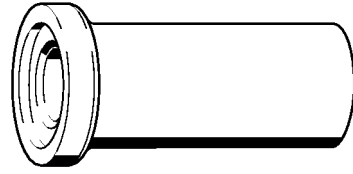


901 SW050 GM

# Installing sleeve

#	Part Number	Description	Quantity	Contains Item(s)	Remarks
	1115 893 4600	Installing sleeve	1		

# Press sleeve



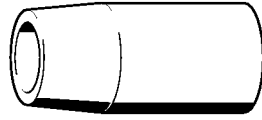
901SW059 GM



# Press sleeve

#	Part Number	Description	Quantity	Contains Item(s)	Remarks
	1118 893 2401	Press sleeve	1		

# Installing sleeve

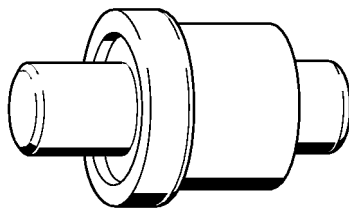


901SW061 GM

# Installing sleeve

#	Part Number	Description	Quantity	Contains Item(s)	Remarks
	1118 893 4602	Installing sleeve	1		

# Press arbor



901 SW062 GM

# Press arbor

#	Part Number	Description	Quantity	Contains Item(s)	Remarks
	1118 893 7200	Press arbor	1		

# Sealing plate

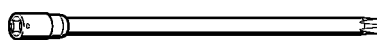


901 SW078 GM

# Sealing plate

#	Part Number	Description	Quantity	Contains Item(s)	Remarks
	0000 855 8106	Sealing plate	1		

# Socket, T27x125



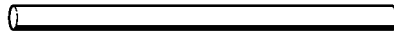
901SW091 GM



# Socket, T27x125

#	Part Number	Description	Quantity	Contains Item(s)	Remarks
	0812 542 2104	Driver bit, 1/4" square drive, T27x125	1		

# Hose 135 mm / 5 5/16"

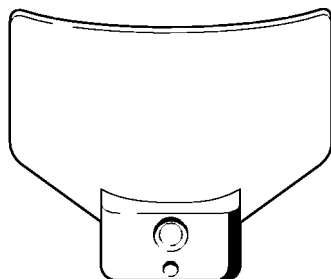


901SW100 GM

# Hose 135 mm / 5 5/16"

#	Part Number	Description	Quantity	Contains Item(s)	Remarks
	1110 141 8600	Hose 135 mm / 5 5/16"	1		

# Setting gauge



901SW107 GM

# Setting gauge

#	Part Number	Description	Quantity	Contains Item(s)	Remarks
	1111 890 6400	Setting gauge	1		

# Assembly tube

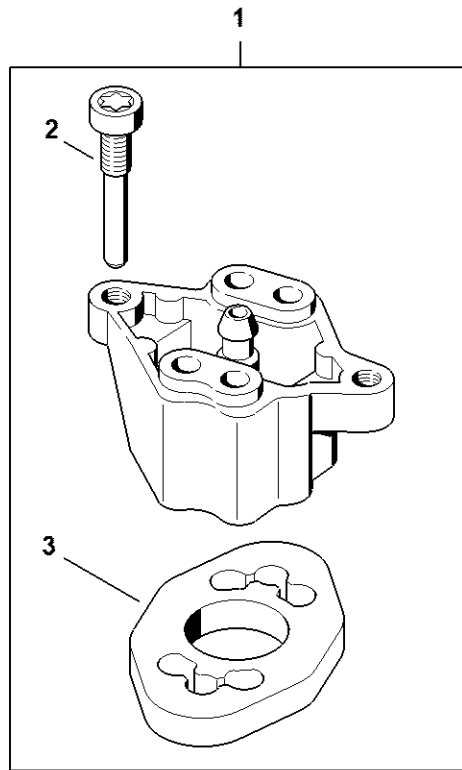


901SW112 GM

# Assembly tube

#	Part Number	Description	Quantity	Contains Item(s)	Remarks
	1117 890 0900	Assembly tube	1		

# Flange



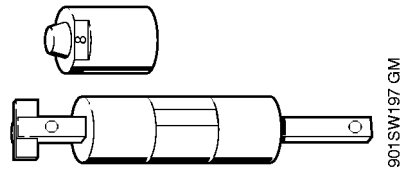
5910-GET-0183-A1



# Flange

#	Part Number	Description	Quantity	Contains Item(s)	Remarks
1	5910 850 4207	Flange	1	2, 3	
2	1128 855 9000	Screw M5x30	1		
3	5910 851 9901	Gasket	1		

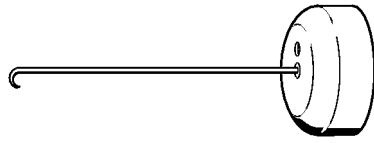
# Installing tool, 8



# Installing tool, 8

#	Part Number	Description	Quantity	Contains Item(s)	Remarks
	5910 890 2208	Installing tool, 8	1		
	5910 893 1708	Sleeve	1		

# Assembly hook

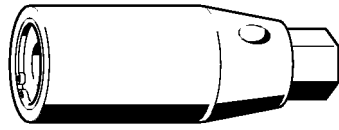


901SW205 GM

# Assembly hook

#	Part Number	Description	Quantity	Contains Item(s)	Remarks
	5910 890 2800	Assembly hook	1		

# Stud puller, M8



901SW209 GM

# Stud puller, M8

#	Part Number	Description	Quantity	Contains Item(s)	Remarks
	5910 893 0501	Stud puller, M8	1		

# Assembly hook



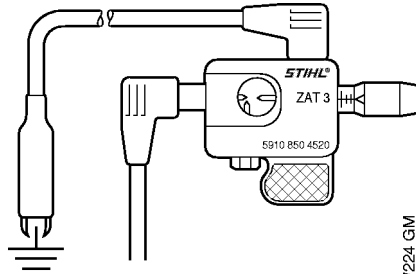
901SW221 GM



# Assembly hook

#	Part Number	Description	Quantity	Contains Item(s)	Remarks
	5910 893 8800	Assembly hook	1		

# Ignition system tester, ZAT 3

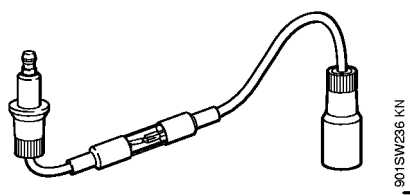


901 SW224 GM

# Ignition system tester, ZAT 3

#	Part Number	Description	Quantity	Contains Item(s)	Remarks
	5910 850 4520	Ignition system tester, ZAT 3	1		

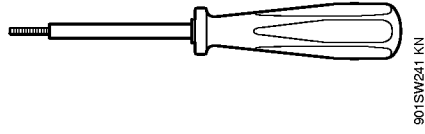
# Ignition system tester, ZAT 4



# Ignition system tester, ZAT 4

#	Part Number	Description	Quantity	Contains Item(s)	Remarks
	5910 850 4503	Ignition system tester, ZAT 4	1		

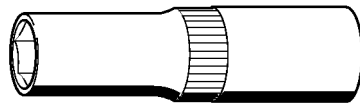
# Puller



# Puller

#	Part Number	Description	Quantity	Contains Item(s)	Remarks
	5910 890 4500	Puller	1		

# Socket, 13 mm, long reach



901SW265 KN



# Socket, 13 mm, long reach

#	Part Number	Description	Quantity	Contains Item(s)	Remarks
	5910 893 2804	Socket, 13 mm, long reach	1		

# Locking strip

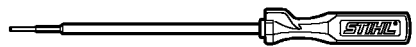


5910-GET-0125-A0

# Locking strip

#	Part Number	Description	Quantity	Contains Item(s)	Remarks
1	0000 893 5903	Locking strip	1		

# Screwdriver

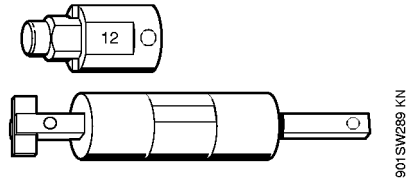


901SW282 KN

# Screwdriver

#	Part Number	Description	Quantity	Contains Item(s)	Remarks
	5910 890 2304	Screwdriver	1		

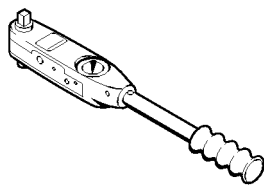
# Installing tool, 12



# Installing tool, 12

#	Part Number	Description	Quantity	Contains Item(s)	Remarks
	5910 890 2212	Installing tool, 12	1		
	5910 893 1706	Sleeve	1		

# Torque wrench



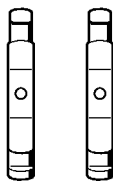
901SW291 KN



# Torque wrench

#	Part Number	Description	Quantity	Contains Item(s)	Remarks
	5910 890 0311	Torque wrench	1		

# Jaw (profile No. 3.1 and 4)

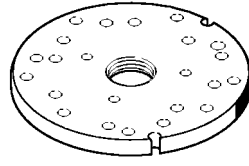


901 SW932 GIM

## Jaw (profile No. 3.1 and 4)

#	Part Number	Description	Quantity	Contains Item(s)	Remarks
	0000 893 3706	Jaw (profile No. 3.1 and 4)	1		

# Drilled plate

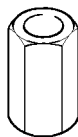


901 SW836 CIM

# Drilled plate

#	Part Number	Description	Quantity	Contains Item(s)	Remarks
	5910 893 2101	Drilled plate	1		

# Screw sleeve



901 SW338 CIM

# Screw sleeve

#	Part Number	Description	Quantity	Contains Item(s)	Remarks
	5910 893 2420	Screw sleeve	1		

# Sleeve



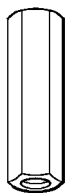
901SW841 CIM



# Sleeve

#	Part Number	Description	Quantity	Contains Item(s)	Remarks
	5910 893 1701	Sleeve	1		

# Screw sleeve



901 SW948 CIM

# Screw sleeve

#	Part Number	Description	Quantity	Contains Item(s)	Remarks
	5910 893 2409	Screw sleeve	1		

# Plug

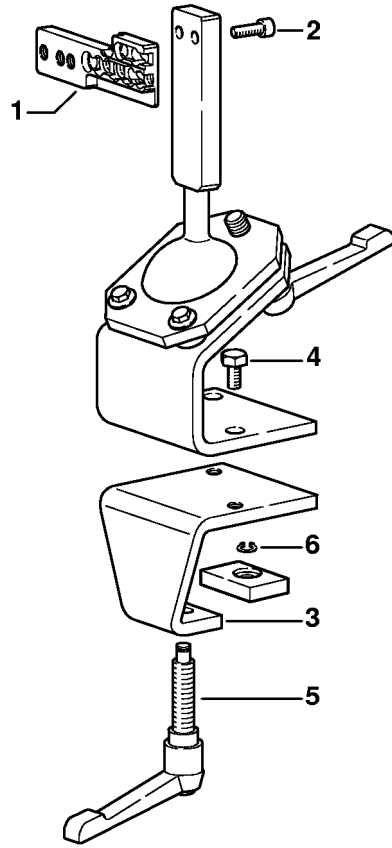


901SW357 GM

# Plug

#	Part Number	Description	Quantity	Contains Item(s)	Remarks
	1122 025 2200	Plug	1		

# Assembly stand

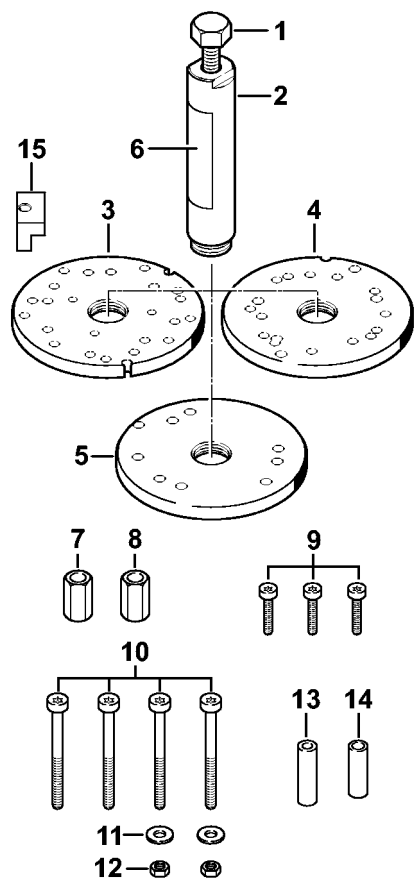


9015W363 SC

# Assembly stand

#	Part Number	Description	Quantity	Contains Item(s)	Remarks
	5910 890 3101	Assembly stand	1	1 - 6	
1	5910 850 1651	Support	1		
2	9045 319 2390	Socket head screw M10x25	2		
3	5910 850 2100	Clamping plate	1	4 - 6	
4	9008 319 2930	Hexagon head screw M12x20	2		
5	5910 890 1901	Clamp lever	1		
6	9455 621 0850	Circlip 10x1	1		

# Service tool ZS



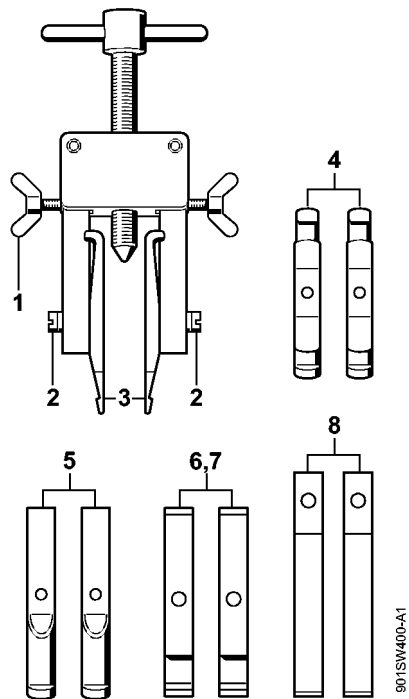
5910-GET-0121-A0



# Service tool ZS

#	Part Number	Description	Quantity	Contains Item(s)	Remarks
	5910 007 2201	Service tool ZS	1	1 - 15	
<b>1</b>	5910 893 8505	Spindle ZS	1		
<b>2</b>	5910 890 1800	Screw sleeve	1	1, 6	
<b>3</b>	5910 893 2101	Drilled plate	1		
<b>4</b>	5910 893 2102	Drilled plate	1		
<b>5</b>	5910 890 0550	Drilled plate	1	6	
<b>6</b>	5910 967 3500	Instruction label	1		
<b>7</b>	5910 893 2420	Screw sleeve	1		
<b>8</b>	5910 893 2421	Screw sleeve	1		
<b>9</b>	9022 313 0740	Spline screw IS-M4x25	3		
<b>10</b>	9022 341 1190	Spline screw IS-M5x72	4		
<b>11</b>	9307 021 0120	Washer 5.3	2		
<b>12</b>	9210 260 0700	Hexagon nut M5	2		
<b>13</b>	5910 893 1702	Sleeve	1		
<b>14</b>	5910 893 1701	Sleeve	1		
<b>15</b>	5910 893 8700	Thrust piece	1		

# Puller

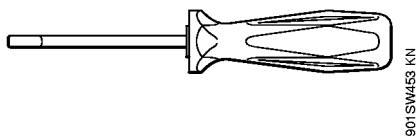


901SW400-A1

# Puller

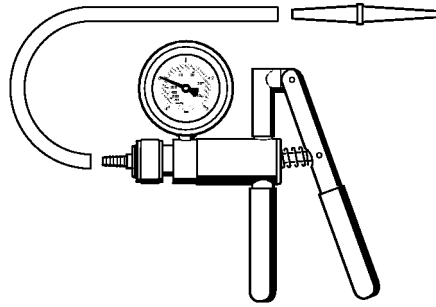
#	Part Number	Description	Quantity	Contains Item(s)	Remarks
	5910 890 4400	Puller	1	1 - 8	
1	9157 691 0980	Wing screw M5x16	2		
2	9044 319 0980	Pan head screw M5x16	2		
3	0000 893 3700	Jaw (profile No. 1 and 2)	2		
4	0000 893 3706	Jaw (profile No. 3.1 and 4)	2		
5	0000 893 3711	Jaw (profile No. 6)	2		
6	0000 893 3703	Jaw (profile No. 7)	2		
7	0000 893 3704	Jaw (profile No. 8)	2		
8	0000 893 3707	Jaw (profile No. 9)	2		

# Punchdown tool



# Punchdown tool

#	Part Number	Description	Quantity	Contains Item(s)	Remarks
	5910 890 4000	Punchdown tool	1		



9015W486 GM

# Pump

#	Part Number	Description	Quantity	Contains Item(s)	Remarks
	0000 850 1300	Pump	1		
	0000 855 9201	Nipple	1		
	0000 855 0100	Hose	1		

# Stud puller, M8-9.5

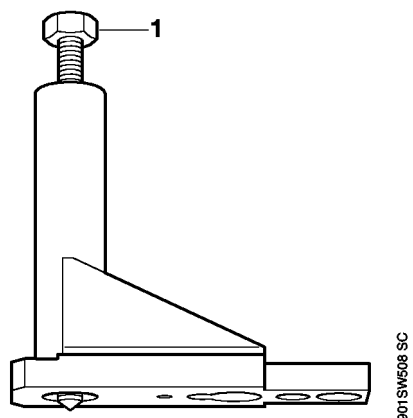


9015W503 GM



# Stud puller, M8-9.5

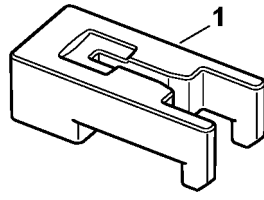
#	Part Number	Description	Quantity	Contains Item(s)	Remarks
	5910 890 3001	Stud driver M8-9.5	1		



# Service tool AS

#	Part Number	Description	Quantity	Contains Item(s)	Remarks
	5910 890 2222	Service tool AS	1	1	
1	5910 893 8500	Spindle AS	1		

# Piston support

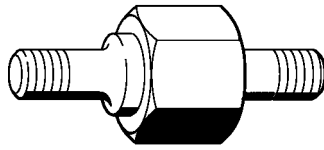


5910-GET-0001-A0

# Piston support

#	Part Number	Description	Quantity	Contains Item(s)	Remarks
1	5910 893 5301	Piston support	1		

# Collar screw

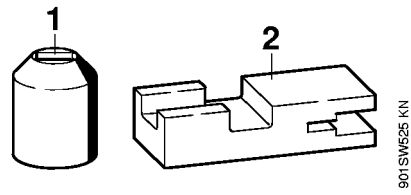


901SW521 KN

# Collar screw

#	Part Number	Description	Quantity	Contains Item(s)	Remarks
	5910 893 9600	Collar screw	1		
	5910 893 9601	Collar screw	1		

# Tool kit 3/8" G

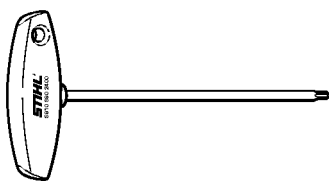




# Tool kit 3/8" G

#	Part Number	Description	Quantity	Contains Item(s)	Remarks
	5805 007 1002	Tool kit 3/8" G	1		
1		Socket 3/8" G	1		
2		Die 3/8" G	1		

# Screwdriver, T27x150

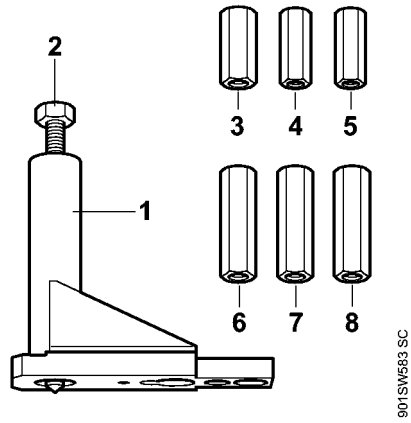


901SW575 KN

# Screwdriver, T27x150

#	Part Number	Description	Quantity	Contains Item(s)	Remarks
	5910 890 2400	Screwdriver, T27x150	1		

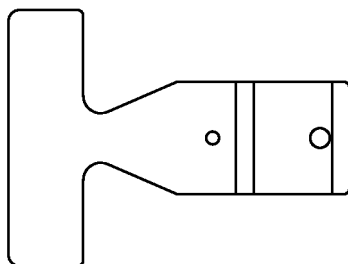
# Service tool AS



# Service tool AS

#	Part Number	Description	Quantity	Contains Item(s)	Remarks
	5910 007 2222	Service tool AS	1	1 - 8	
1	5910 890 2222	Service tool AS	1	2	
2	5910 893 8500	Spindle AS	1		
3	5910 893 2405	Screw sleeve	1		
4	5910 893 2406	Screw sleeve	1		
5	5910 893 2407	Screw sleeve	1		
6	5910 893 2408	Screw sleeve	1		
7	5910 893 2409	Screw sleeve	1		
8	5910 893 2202	Screw sleeve	1		

# Setting gauge



901SW605 SC

# Setting gauge

#	Part Number	Description	Quantity	Contains Item(s)	Remarks
	0000 890 6401	Setting gauge	1		