

Quick Tension System



- INFORMAZIONI TECNICHE
 - TECHNICAL DATA SHEET
 - SPARE PART LIST
-
- Electric High Frequency—480V / 230 V

Code A1M001





Dati Tecnici Performance data

MODELLO - Model - Modell - Modeio - Modelo - Model - Modèie - Movrt.Ao - Mode		MITO QTHF Powered by Dr Schulze	
TENSIONE - Voltage - Spannung - Tensao - Voltaje -	V	230 / 480	
PROTEZIONE ALL'ACQUA—Water protection Class—Schutzart— Agua protection	IP	55	
FREQUENZA - Frequency Frequenz - Frequência - Frecuencia	Hz	50 / 60	
CARICO NOMINALE - Nameplate Load - Nennleistung - Carga Nominal - Carga de Placa - Nominel Ydelse - Puissance Nominale - Nominaal Vermogen			
CORRENTE NOMINALE - Nameplate Current - Nennstrom - Corren- te Nominai - Corriente De Placa	A	16 / 13,5	
POTENZA ASSORBITA NOMINALE - Nameplate Input Power - Nen- naufnahmeleistung - Alimentación De Entrada De Placa	W	3700 / 6500	
GIRI A CARICO NOMINALE - Nameplate Load R.P.M. - Lastdrehzahl - R.P.M. - Velocidad De Carga De Placa	1/min	5500	
VELOCITA' PERIFERICA A CARICO NOMINALE - Nameplate Periphe- ral Velocity	m/s	In reference to the OD Sprocket	
POTENZA RESA NOMINALE - Nameplate Output Power - Nennab- gabeleistung - Alinnentacian De Selida De Placa	W	2700 / 4800	

ALTRI DATI—Other data			
SENSO DI ROTAZIONE DELLA CATENA - Direction Of Saw Chain Rotation			
LUNGHEZZA MASSIMA DELLA BARRA - Max Guide Bar Length	mm / inch	400 / 16"	
PESO SENZA BARRA E CATENA- Weight without bar and chain- Gewicht - Peso macchina- Vwgt - Poids - Bdpog - Gewicht	kg	11	
RUMMOROSITA' E VIBRAZIONI IN ACCORDO EN62841—Noise and vibra- tion according EN62841			
LIVELLO TIPOICO DI PRESSIONE SONORA PONDERTA—Th e typical A- weighted sound pressure level	dB 98		
LIVELLO TIPOICO DI CAPACITA SONORA PONDERATA—The Typical A- weighted sound capacity leve	dB 108		
INCERTEZZA— Uncertainty	K = 3 dB		

Equipaggiamento di taglio Cutting Equipment				
Barra - Bar	Catena - Chain	Profondità di Taglio Massima - Max Cutting Depth	Sprocket	Velocità Catena a giri Massimi del moto- re - Chain speed at maximum motor speed
30 cm / 12" (0,444")	0,444"	320 mm	0,444"	24 m/s
35 cm / 14" (3/8")	3/8"	370 mm	3/8"	21 m/s
40 cm / 16" (3/8")	3/8"	420 mm	3/8"	21 m/s
40 cm / 16" (0,444")	0,444"	420 mm ²	0,444"	24 m/s



DATI TECNICI - Performance Data

MODELLO - Model - Modell - Modeio - Modelo -Model - Modèie
- Movrt.Ao - Mode

MITO QTHF

Powered by Dr Schulze

IMPORTANT Connessione elettrica - Electrical connection **IMPORTANT**

230 V	Collegare il motore MITO tramite il convertitore di frequenza FU6U e il cavo adattatore solo su una presa antiurto dotata di messa a terra. Se necessario, utilizzare solo prolunghe di alta qualità con sezione sufficiente. <u>Connect the MITO motor via the frequency converter FU6U and via the adapter cable only on a properly earthed shockproof socket. If required use only high quality extension cords with sufficient cross section.</u>	EXTENSION CORD Up to 100m length - 3G2,5 quality, e.g. H 07BQ-F or H 07RN-F
480 V	Collegare il motore MITO tramite il convertitore di frequenza FU6 e il cavo adattatore solo su una presa antiurto dotata di messa a terra. Se necessario, utilizzare solo prolunghe di alta qualità con sezione sufficiente. <u>Connect the MITO motor via the frequency converter FU6U and via the adapter cable only on a properly earthed shockproof socket. If required use only high quality extension cords with sufficient cross section.</u>	EXTENSION CORD Up to 100m length - 4G2,5 quality, e.g. H 07BQ-F or H 07RN-F

IMPORTANT

MITO e FU6 possono essere utilizzati in un generatore o trasformatore fornito dal cantiere, se si rispettano le seguenti condizioni:
MITO and FU6 can be used at a generator or a transformer provided by the construction site, if following conditions are kept:

1	operating voltage to nominal voltage within	+ 5%	-10%
2	integrated automatic voltage controller with start amplification		
3	Frequency Hz	50-60 Hz	max 65Hz
4	AC Voltage, power output at least	230V ~ - 4	
	AC Voltage, power output at least	400V ~ - 11	

Do not use any other devices at the generator/transformator at the same time. The switching on and off of other devices can cause undervoltage and / or over voltage peaks that can damage the machine.

IMPORTANT Cambio tra 230V~ e 400V~ 3P - Change between 230V~ e 400V~3P **IMPORTANT**

Se si cambia la modalità di funzionamento della motosega MITO tra 230V ~ und 480V ~ 3P, il convertitore di frequenza FU6U deve essere scollegato per ca. 2 minuti per scaricare il circuito intermedio e reinizializzare il controller.

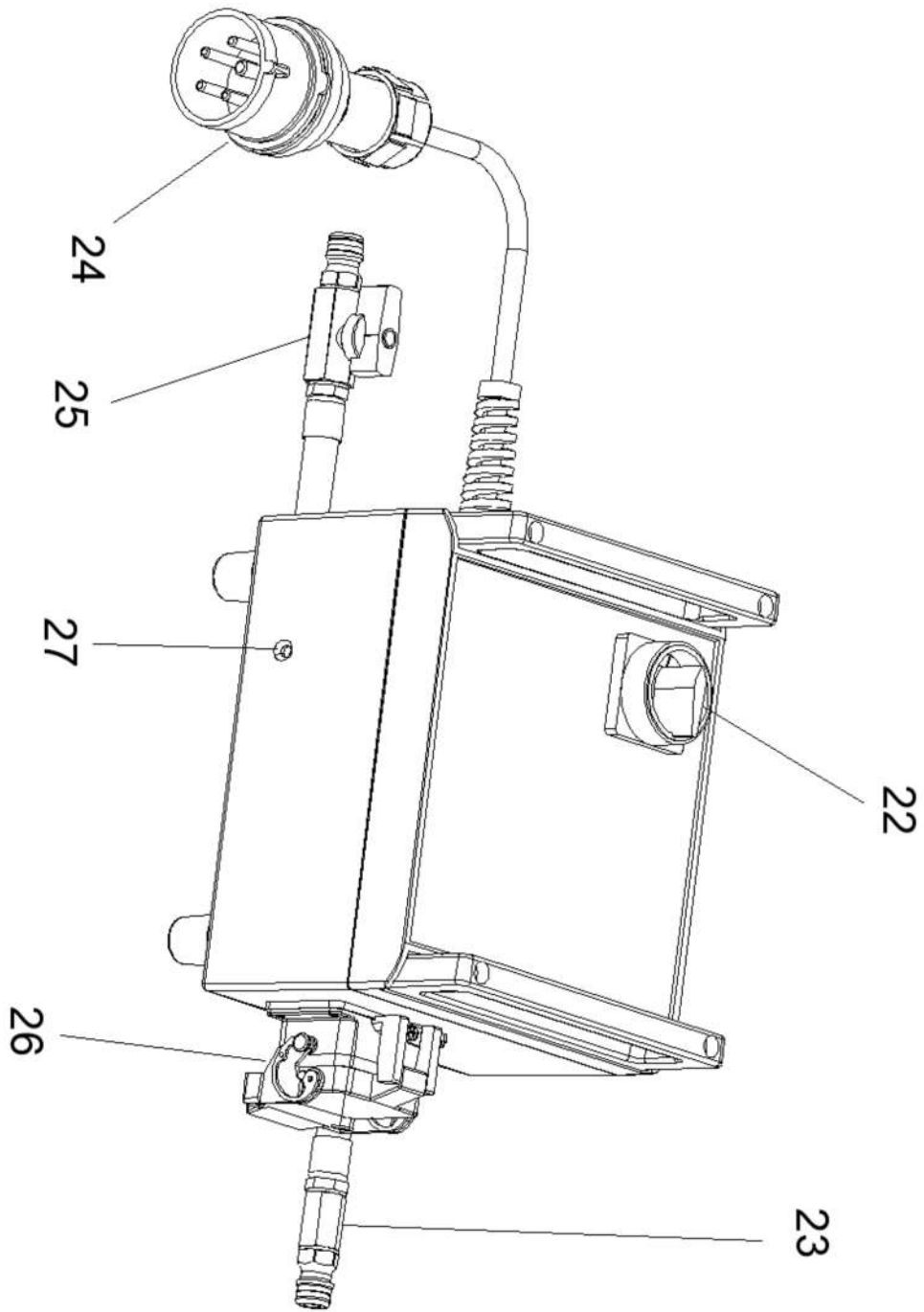
If you change the operation mode of the chain saw MITO between 230V~ und 480V~3P the frequency converter FU6U has to be disconnected for approx. 2 minutes in order to discharge the intermediate circuit and re-initialize the controller.

N.B. IMPORTANTE La marcatura CE esposta in questa scheda come in tutte le altre è riferita e limitata al motore elettrico fornito dalla Dr Schulze gmbh. The CE marking shown in this sheet as in all the others is referred to and limited to the electric motor supplied by Dr Schulze gmbh.

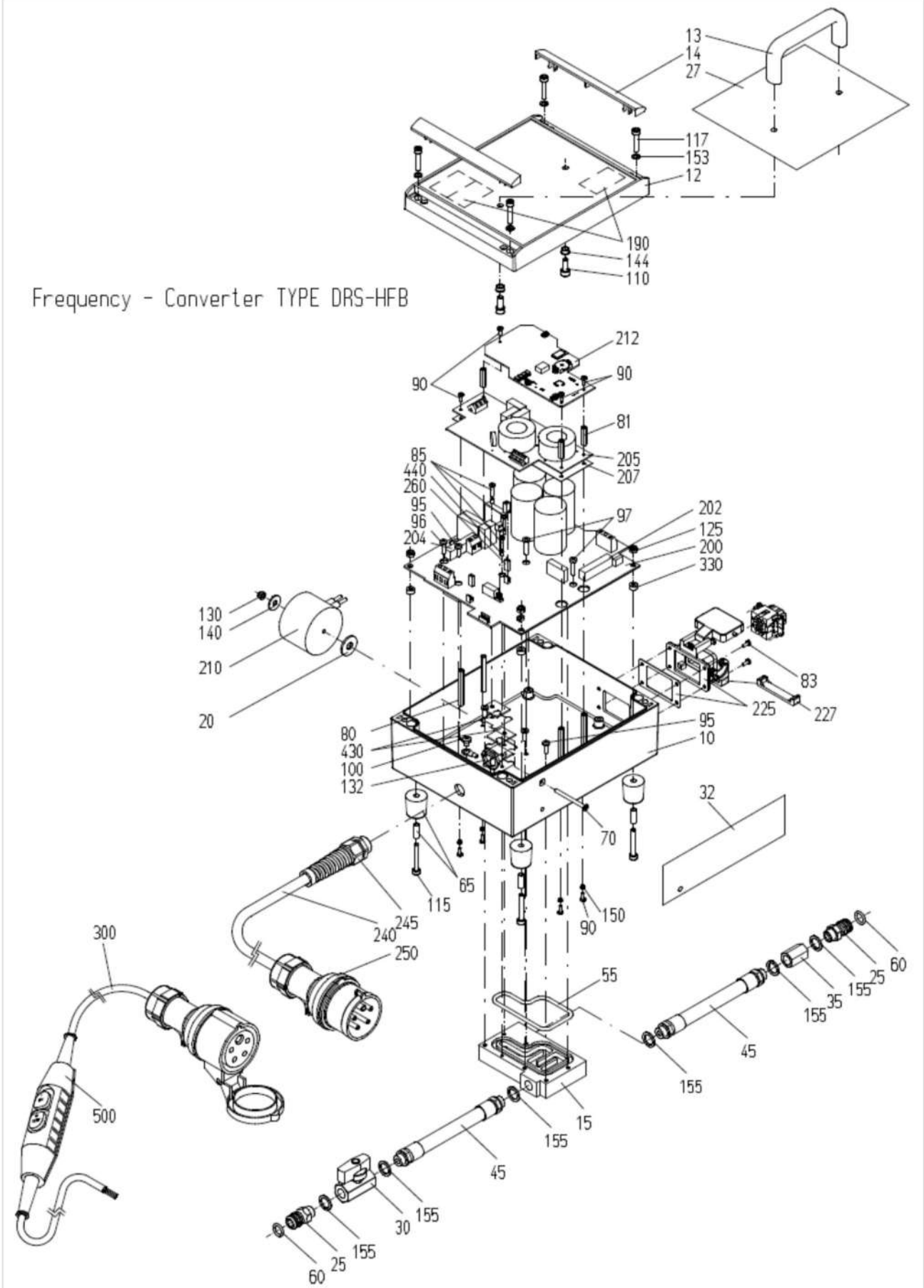
Per il momento il prodotto MITO non è ancora stato sottoposto a marcatura CE.

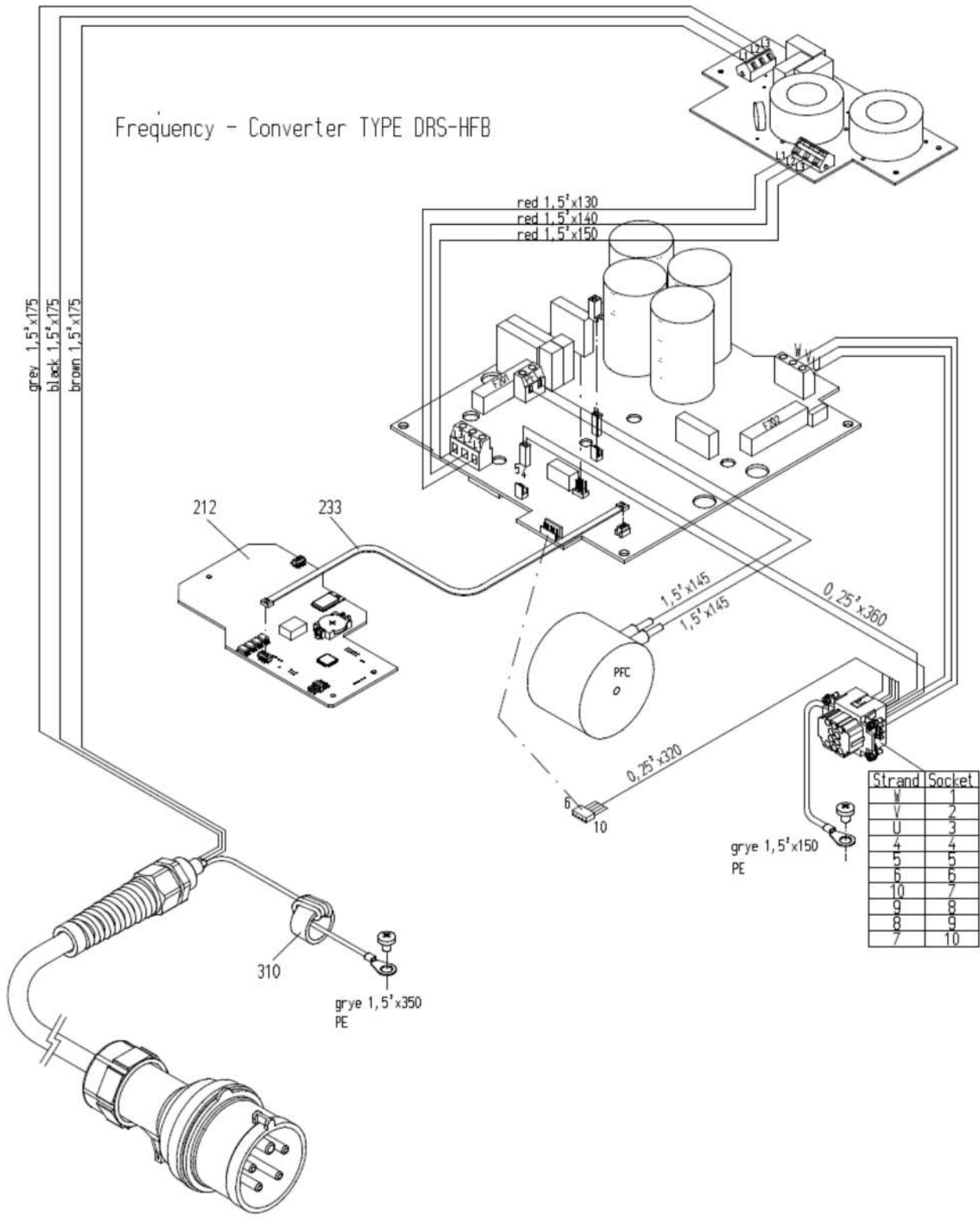
Appena il prodotto verrà marcato la presente dichiarazione sparirà dalle indicazioni tecniche che determinano il prodotto finito MITO QTE For the moment the MITO product has not yet been subjected to CE marking.

As soon as the product is marked, this declaration will disappear from the technical indications that determine the finished product MITO QTE



Frequency - Converter TYPE DRS-HFB





Spare Parts Price List Frequency Converter Type DRS-HFB - Mechanical Parts

POS	ST	DESCRIPTION	Type	and	Part N°
10	1	FC-Box			FU06501
12	1	FC-Box Cover	Type C.5		FU06502C.5C
13	1	Carrying Handle			8915056
14	2	Design Cover			FU06503
15	1	Cooling Plate			FU04506-1
20	1	Distance Washer			FU04508
25	2	Quick Connect Nipple			DK20225
27	1	Front plate	Type C.5		FU06602C.5
30	1	Ball Valve	G1/4"		7014001
32	1	LED-Plate	Type C.5		FU06604C.5
35	1	Socket	G1/4"		7014026
45	2	Hose Piece cpl. with nipples			DK30235
55	1	O-Ring	RDR70x4		5570004
60	2	O-Ring	RDR11x2,5		5511025
65	4	Rubber foot with spacer sleeve	24,5x25x5,5		2824255
70	1	Count. Flat Head Screw	M5x55		405055
80	4	Hexagon spacer bolt	M3x50i/i		1503501
81	3	Hexagon spacer bolt	M3x45i/a		1503452
83	4	Cross recess cheese head screw	M4x10		304010
85	2	Cross recess cheese head screw	M3x16		303016
90	10	Cross recess cheese head screw	M3x8		303008
95	3	Cross recess cheese head screw	M4x12		204012
96	1	Slotted cheese head screw	M4x14		204014
97	2	Slotted cheese head screw	M4x20		204020
100	2	Slotted Pan Head Screw	M5x8 MsNi		315008
110	2	Hex. Socket Head Screw	M6x12		106012
115	4	Hex. Socket Head Screw	M5x40		105040
117	4	Hex. Socket Head Screw	M5x25		105025
120	2	Hexagon Nut	M6		1006000
125	4	Hexagon Nut with prevailing torque insert	M5		1005985
130	1	Hexagon Nut with prevailing torque insert	M5		1005985
132	1	Hexagon Nut	M20x1,5		8806020
135	1	Curved Spring Washer	A4		1804137
140	1	KF-Washer	5,3x25x1,25		1825531
144	2	Sealing Washer	M6		1806001
150	4	Sealing Washer	M3		1803001
153	4	Locking Washer	SM5		1805000
155	6	Sealing Ring	G1/4"		7014003
190	3	Dessicant Sack	glued		7040601

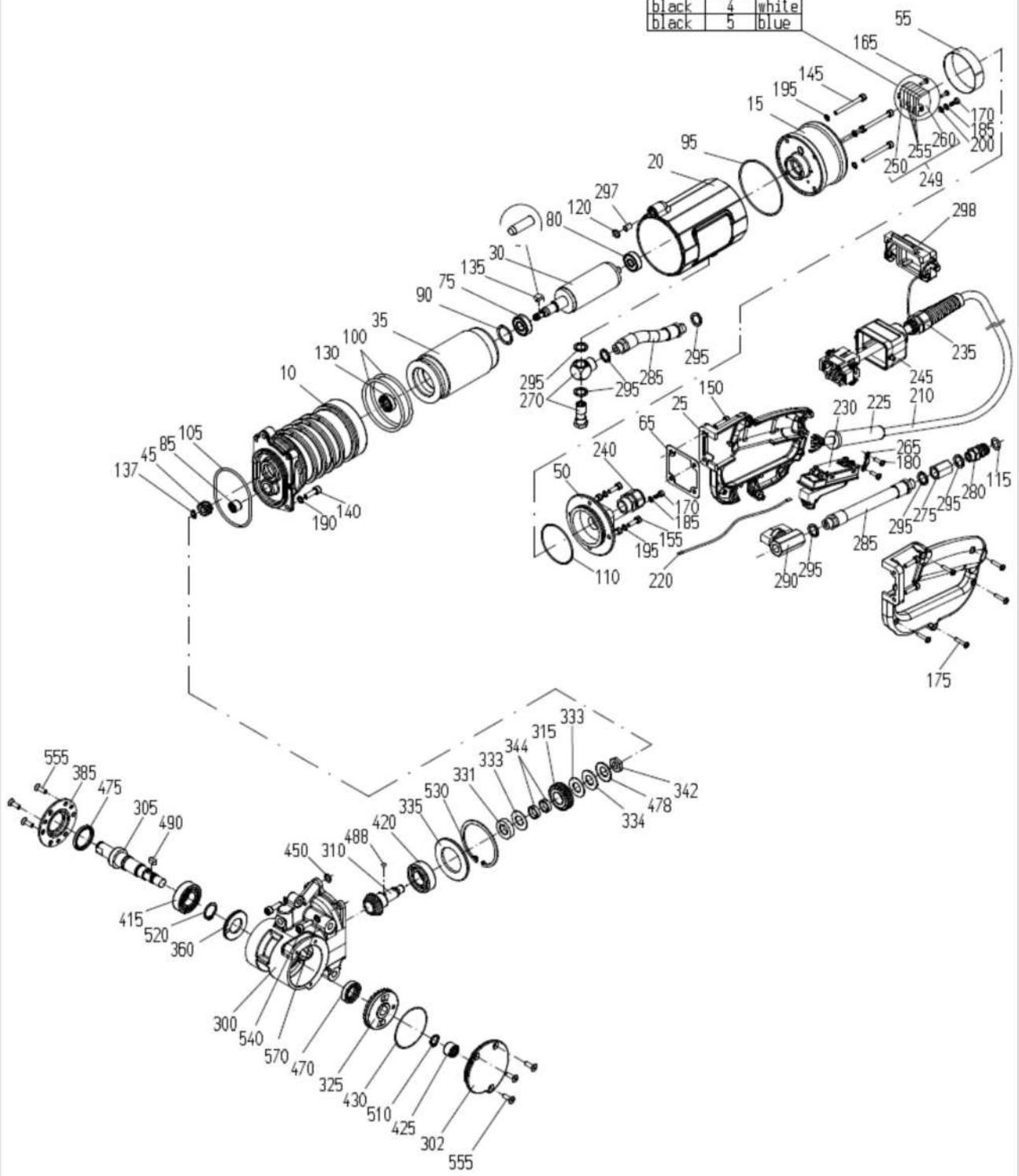
Frequency Converter Type DRS-HFB - Electrical Parts

POS	ST	DESCRIPTION	Type	and	Part N°
200	1	Inverter Board w. thermal conductive paste			FU06512D
202	1	Fuse F202	6,3x32, 16A, M		8065016
204	1	Fuse F201	6,3x32, 20A, T		8065020
205	1	Power Supply Board			FU06514
207	1	Insulation Film			FU06528
210	1	PFC-Reactor			SR30538
212	1	Bluetoothboard			FU06517
225	1	Bulkhead Case sealed incl. Female Insert and Wires			8016291C
227	1	Handle			8006001
231	1	Connection cable	2pol.		9302210
232	1	Connection cable	6pol., 150mm		9306170
233	1	Connection cable	MicroMatch 6pol. 150mm		9306150
240	1	Cord	4G1,5x4m		8740152
245	1	Cord Gland	M20x1,5 7-13		8804020
250	1	Mains Plug	CEE 16A6h5P		8016015
300	1	Adaptor Cable cpl. with PRCD	400V / 230V		8715042
310	1	Toroidal Core	19x15x10		8619151
330	4	Distance Sleeve			1505005
430	2	Ceramic Insulating Plate			8321830
500	1	PRCD	10mA		8400010

Please specify in case of spare part orders:
Machine No., Quantity, Description, Part No. and by electrical parts the voltage.

Drive Unit TYPE DRS-HFD

Motor	Clamp	Cord
red	1	1
yellow	2	2
blue	3	3
black	4	white
black	5	blue



Spare Parts

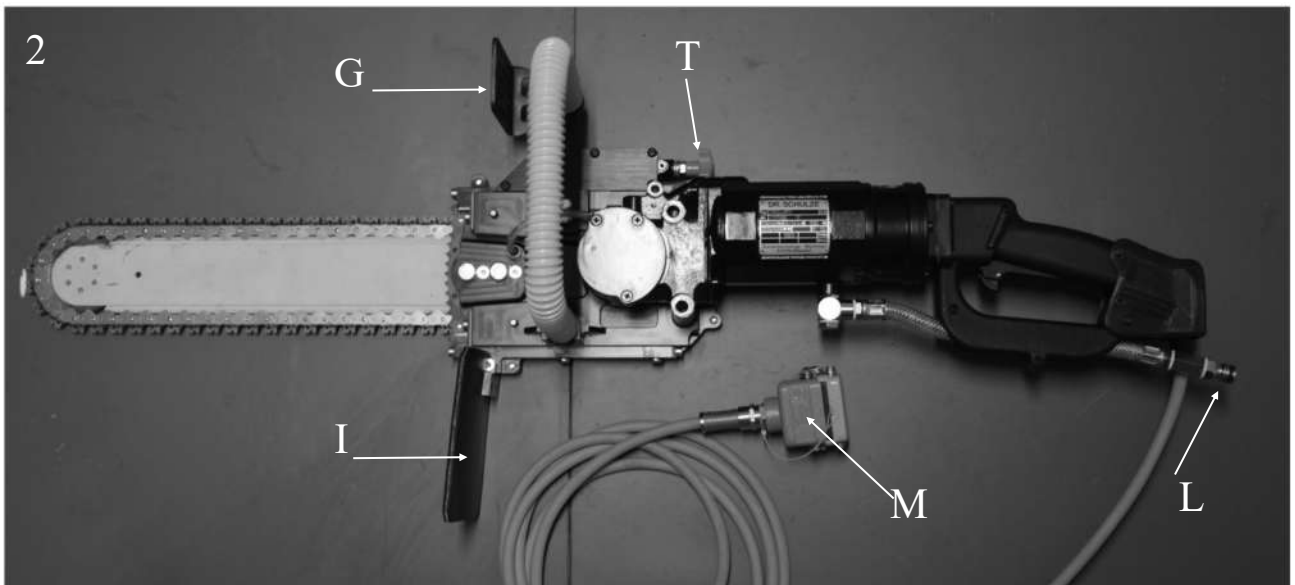
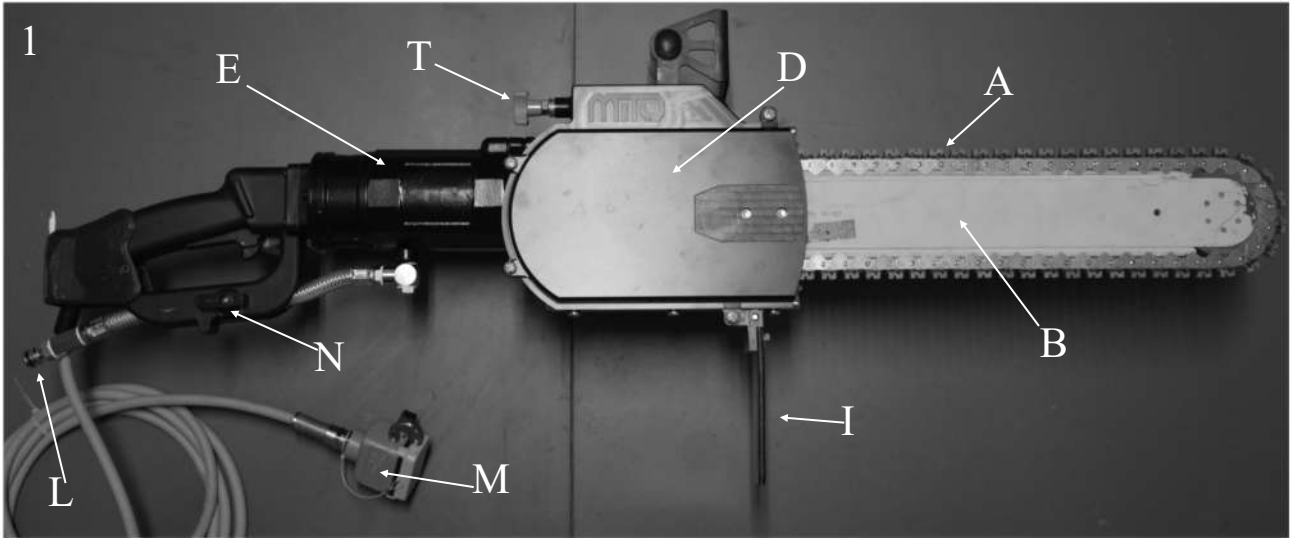
Drive Unit Type DRS-HF - Motor

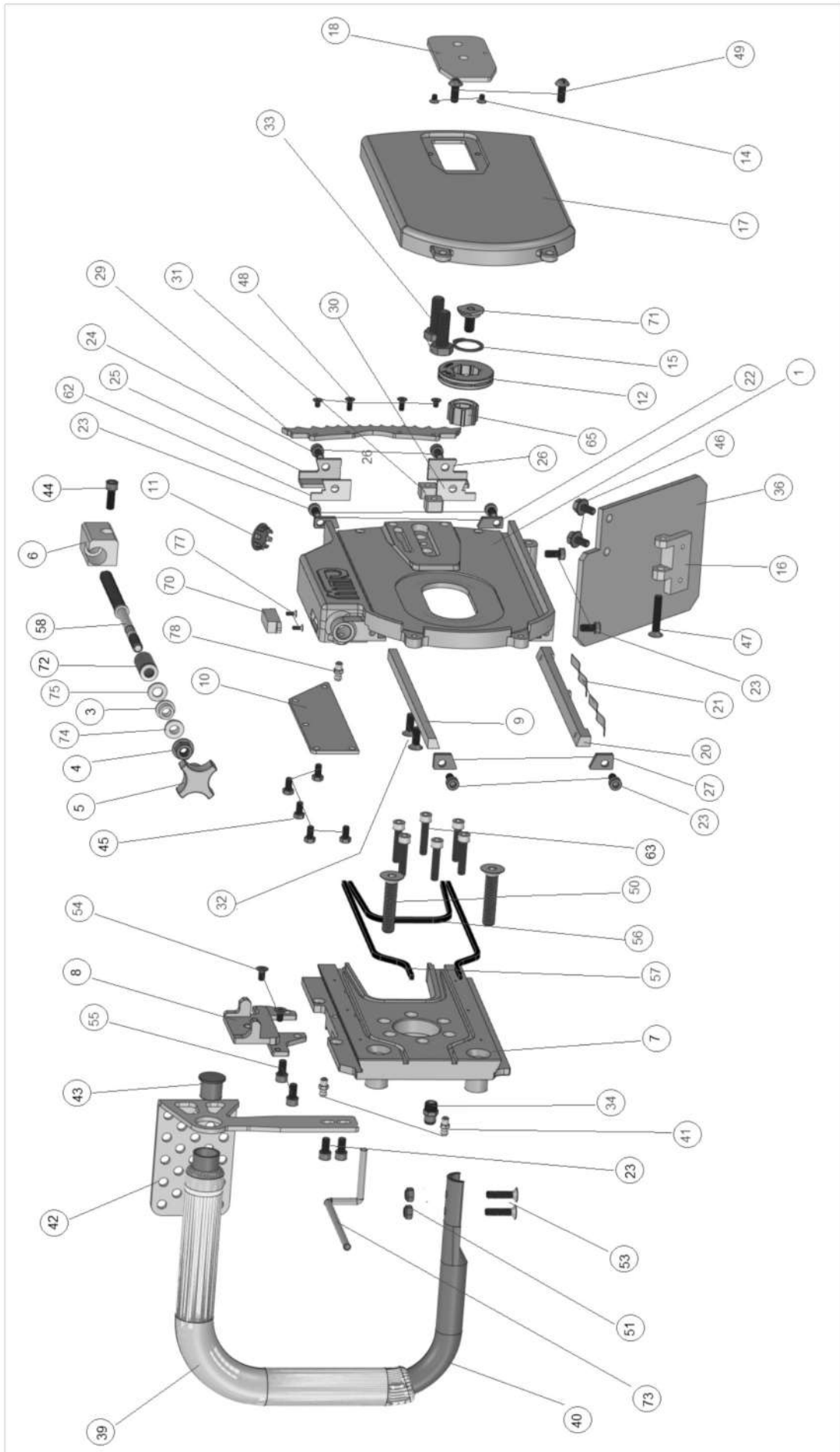
FIG	QTY	DESCRIPTION	STANDARD	PART NO
10	1	Motorcase		TK40101
15	1	Motor Top Case		TS40103
20	1	Case Sleeve		TK40104.5
25	1	Switch Handle cpl.		TS40105
30	1	Rotor with Bearings		TK40108
35	1	Stator cpl.		TS40109
45	1	Rotor Pinion		TK40113
50	1	Motor Top Case Hood incl. Fig. 65, 110		TS40128C
55	1	Insulation Film		TS40522
65	1	Terminal Case Packing		DK10122
75	1	Ball Bearing		6060011
80	1	Ball Bearing		6062902
85	1	Needle Bush	BK1010	6310101
90	1	Compensation Washer		2628171
95	1	O-Ring	RDR78X2	5578002
100	2	O-Ring	RDR74X4	5574004
105	1	O-Ring	RDR72X2	5572002
110	1	O-Ring	RDR55X2	5555002
115	1	O-Ring	RDR11x2,5	5511025
120	1	O-Ring	RDR8x2	5508002
130	1	Rotary Shaft Seal	RWD12x24x7A	5012247
135	1	Parallel Pin		2503010
137	1	Retaining Ring	8x0,8	3508008
140	2	Hex. Socket Head Screw	M6x20	0106020
145	4	Hex. Socket Head Screw	M5x50	0105050
150	4	Hex. Socket Head Screw	M5x20	0115020
155	4	Hex. Socket Head Screw	M5x16	0105016
165	2	Cheese head screw	M3x10	0303010
170	2	Sl. Pan Head Screw	M4x6	0304006
175	5	Pan Head Tapping Screw	F3,9x19 (BZ)	0539019
180	2	Pan Head Tapping Screw	F3,9x13 (BZ)	0539013
185	2	Curved Spring Washer	A4	1804137
190	2	Locking Washer	SM6	1806000
195	8	Locking Washer	SM5	1805000
200	1	Medium Washer	4,3x8x0,5 Ms	1804433
210	1	Cord cpl. with male insert, Pos. 225,235,240,245,298	6G1,5x4,4 10P	8744001
220	1	Switch Strand	1,5²x200	8715202
225	1	Cord Sleeve	D12	8701200
230	1	Motor Switch		8020240
235	1	Cord Gland	M20x1,5 7-13 EMV	8820152
240	1	Cord Gland	M20x1,5 6x2,5	8862520
245	1	Hood	6B EMV	8016106
249	1	Terminal Block cpl. with marking (fig.250,255,260)		7924300
250	1	End Terminal Block with Fixing Flange		7924301
255	4	Center Terminal Block		7924321
260	1	End Plate with Fixing Flange		7900361
265	1	Cord Clamping Piece		8800010
270	1	Angle Screwing	G 1/4"	7015010
275	1	Socket		7014026
280	1	Quick Connect Nipple		DK20225
285	2	Hose Piece cpl. with nipples		DK30235
290	1	Ball Valve		7014041
295	7	Sealing Ring	G1/4"	7014003
297	1	Fixing Sleeve		HS40222
298	1	Protective Hood		8016504

Spare Parts Drive Unit Type DRS-HF - Gear

FIG	QTY	DESCRIPTION	STANDARD	PART NO
300	1	Gear Box		TK40201.5
302	1	Bearing Hood inkl. Fig. 430, 425		TK40203.5C
305	1	Spindle		TK40206.5
310	1	Pinion Shaft		TK40208
315	1	Spur Wheel		TK40209
325	1	Spindle Wheel		TK40215
331	1	Supporting Disc		TK40217
333	2	Brake Disc		DK10218
334	1	Pressure Disk		DK10219
335	1	Pressure Disk		TS40219
342	1	Hexagon Nut		TK40220
344	2	Bearing Socket		DK10221
360	1	Supporting Disk		TS40230
385	1	Bearing Ring		TK40248.5
415	1	Ball Bearing	6004 2RS	6060044
420	1	Ball Bearing	6004	6060040
425	1	Needle Bush	HK1212	6312120
430	1	O-Ring	RDR55x2	5555002
450	1	O-Ring	RDR8x2	5508002
470	1	Rotary Shaft Seal	RWD16x30x7A	5016307
475	1	Rotary Shaft Seal	RWD28x35x4	5028354
478	1	Disk Spring		4028142
488	1	Ball	5	2205000
490	1	Parallel Key	A5x5x12	3005012
510	1	Retaining Ring	13x1	3513001
520	1	Retaining Ring	20x1,2	3520012
530	1	Tapered Retaining Ring	JB62x2,05	3462205
540	2	Hex. Socket Head Screw	M6x20	0106020
555	1	Count. Head Screw	M5x16	0405016
570	2	Locking Washer	SM6	1806000
	1	Gear Oil	90ml	9009004

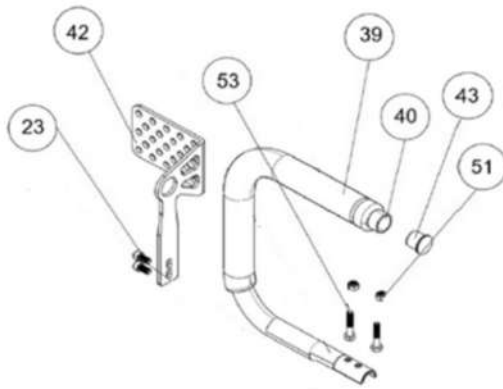
Please specify in case of spare part orders:
Machine No., Quantity, Description, Part No. and by electrical parts the voltage.



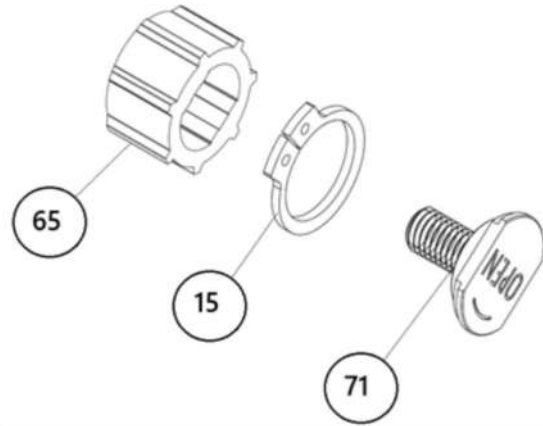


MITO QTEHF CODE A1M001 sort by ITEM n°			
ITEM NO.	Part n°	DESCRIPTION	QTY.
1	A3M001003	Main body - Bar Holder	1
2	A1M001075	SHULZE MOTOR PART ASSEMBLED	1
3	A3M005020	Main screw Brass bushing mm12	1
4	A3M004021	M8 Flanged nut	1
5	A3M004022	M8 Threaded Knob	1
6	A3M004005	QT Barrel, bronze	1
7	A1M001001	Base Support - Motor Plate	1
8	A3M004001	Nut Bracket (New Pennon)	1
9	A3M001002	Upper bronze slide	1
10	A3M001005	Main Screw Box Cover	1
11	A3M004023	Metal Round Plug for pannel	1
12	A1M004052	Sprocket Body	1
13	A3M004014	Dia 82 mm Sprocket Flange M4 Screws	1
14	A3M004039	M4x6 FHCS	2
15	A1M004050	Sprocket Retaining Ring ID 20,5 OD 25	1
16	A3M001044	Bracket Mood Flap	1
17	A3M001004	Main side Cover	1
18	A3M001033	Bar Clamp Flange (cover)	1
20	A3M001021	Lower bronze Rail	1
21	A3M004027	Wave Spring 1 mm th...mm	2
22	A3M004003	Front Bronze bar stopper	2
23	A3M001070	M6x10 SHCS	2+2
24	A3M004029	M6x12 LSHCS	4
25	A3M004002	Upper Front Seal Locker	1
26	A3M004006	Lower Front Seal Locker	1
27	A3M004004	Back Bronze slide stopper	2
29	A3M004008	Tiger Grip	1
30	A3M004009	Front Lower back scraper	1
31	A3M001032	Bar Holder BLOCK	2
32	A3M004030	M6x22 SHCS	2
33	A3M004031	M10x30 HHCS	2
34	A3M004032	Water Connection Plug	1
36	A3M001045	Mud Flap	1
39	A3M004010	Yellow pipe corrugated cover	1
40	A3M001046	Handle	1
41	A3M001037	Grease nipple M6x1	2
42	A3M001041	Handle Link Guitar + protection	1
43	A3M004007	Rubber Cup Handle OD 22, ID 19	1
44	A3M001071	M6x15 SHCS	1
45	A3M004036	M5x10 HHCS	5
46	A3M004037	M6x12 FHHCS Flanged	2
47	A3M004038	M6x35 FHCS	1
48	A3M004039	M4X6 FHCS	4
49	A3M004040	M6x16 SHCS	2
50	A1M004076	M10x40 SHCS	2
51	A3M004041	M6 locknut	2
53	A3M004050	M6x30 HHC	2
54	A3M004043	M5X10 FHCS	2
55	A3M004044	M6x10 SHCS	2
56	A3M004045	OR Cord C shaped front	1
57	A3M004046	OR Cord shaped T.B.	2
58	A3M005010	Main scew (it was A3M001010)	1
62	A3M004011	Front Upper back scraper	1
63	A1M001077	M6x40 SHCS	6
65	A1M004048	Shaft Bushing for sprocket	1
71	A3M005080	Shaft end Screw LH	1
72	A3M005081	Cup Spring 8,2x15	32
73	A3M004080	Water cCooling Pipe OD 6	1
74	A3M004020	Main screw Brass bushing mm12	1
75	A3M005082	M8 Washer zinc coated	1
76	A3M005083	Square Ull eyes	1
77	A3M005084	M3X6 FHCS	2
78	A3M005085	M6x14 Spring Plunger + counenut	1

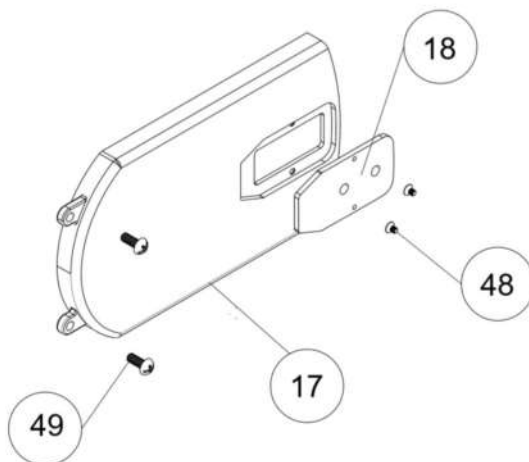
A3S004001 - Handle



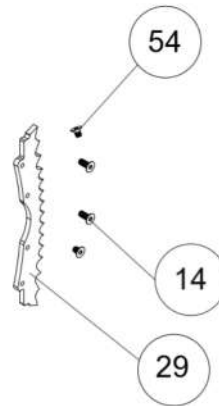
A3S005010 - QTHF Shaft Bushing for sprocket



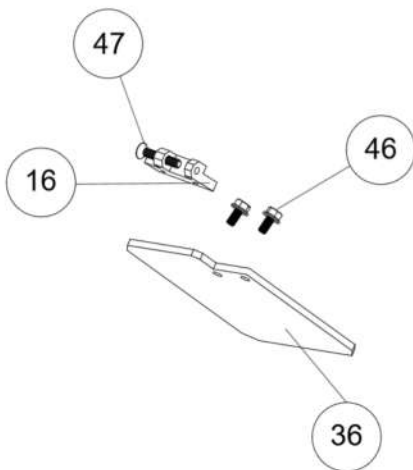
A3S004003 - Main Side Cover



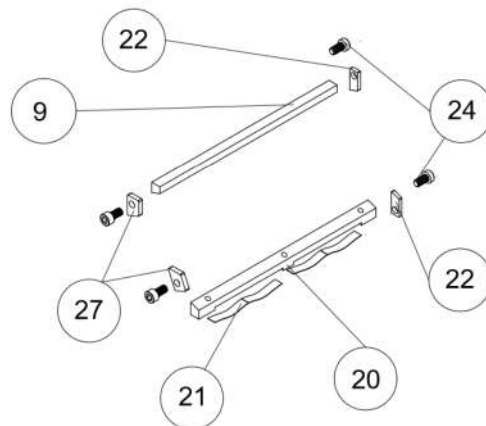
A3S004004 - Tiger Grip



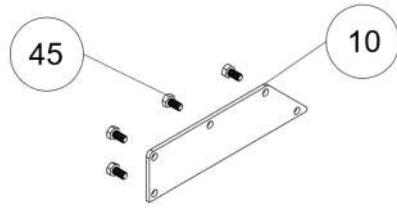
A3S004005 - Mud Flap



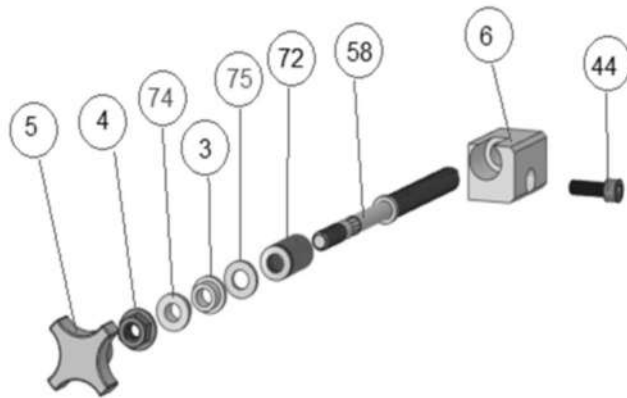
A3S004006 - Bronze rail



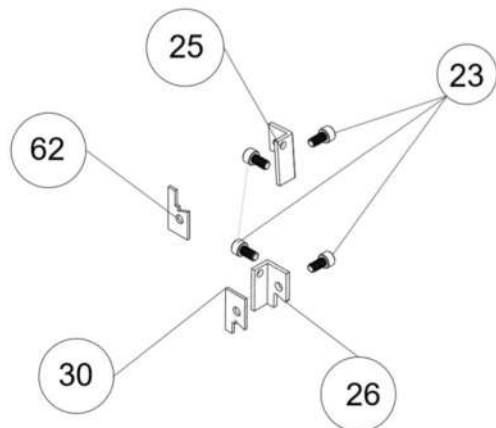
A3S004007 - Main Screw Bar Cover



A3S005008 - Main Screw



A3S004009 - Front Scraper



SPARE PARTS LIST ASSEMBLED

A3S004001 -HANDLE			
Item n°	Part n°	DESCRIPTION	QTY.
23	A3M001070	M6x10 SHCS	2
39	A3M004010	Yellow pipe corrugated cover	1
40	A3M001046	Handle	1
42	A3M001041	Handle Link Guitar + protection	1
43	A3M004007	Rubber Cup Handle OD 22, ID 19	1
51	A3M004041	M6 locknut	2
52	A3M004042	M6 X 12 STEEL washer	2
53	A3M004039	M6x30 HHCS	2
A3S004003 - MAIN SIDE COVER			
Item n°	Part n°	DESCRIPTION	QTY.
17	A3M001004	Main side Cover	1
18	A3M001033	Bar Clamp Flange (cover)	1
48	A3M004039	M4X6 FHCS	2
49	A3M004040	M6x16 SHCS	2
A3S004004 - TIGER GRIP			
Item n°	Part n°	DESCRIPTION	QTY.
29	A3M004008	Tiger Grip	1
54	A3M004043	M4X6 FHCS	2
A3S004005 - MUD FLAP			
Item n°	Part n°	DESCRIPTION	QTY.
16	A3M001044	Bracket Mood Flap	1
36	A3M001045	Mud Flap	1
46	A3M004037	M6x12 FHHCS	2
47	A3M004038	M6x35 FHCS	1
A3S004006 - BRONZE RAIL			
Item n°	Part n°	DESCRIPTION	QTY.
9	A3M001002	Upper bronze slide	1
20	A3M001021	Lower bronze Rail	1
21	A3M004027	Wave Spring	2
22	A3M004003	Front Bronze bar stopper	2
24	A3M004029	M6x12 LSHCS	4
27	A3M004004	Back Bronze slide stopper	2
A3S004007 - MAIN SCREW BAR COVER			
Item n°	Part n°	DESCRIPTION	QTY.
10	A3M001005	Main Screw Box Cover	1
45	A3M004036	M5x10 HHCS	5
A3S005008 - MAIN SCREW			
Item n°	Part n°	DESCRIPTION	QTY.
3	A3M005020	Main screw Brass bushing mm 12	1
4	A3M004021	M8 Flanged nut	1
5	A3M004022	M8 Threaded Knob	1
6	A3M004005	QT Barrel, bronze	1
44	A3M001071	M6x15 SHCS	1
58	A3M005010	Main sciew	1
72	A3M005081	Cup Spring 8,2x15	32
74	A3M004020	Main screw Brass bushing mm8	1
75	A3M005081	M8 Washer zinc Coated	1
A3S004009 - FRONT SCRAPER			
Item n°	Part n°	DESCRIPTION	QTY.
23	A3M001070	M6x10 SHCS	4
25	A3M004002	Upper Front Seal Locker	1
26	A3M004006	Lower Front Seal Locker	1
30	A3M004009	Front Lower back scraper	1
62	A3M004011	Front Upper back scraper	1
A3S005010 - QTHF SHAFT Bushing for Sprocket			
Item n°	Part n°	DESCRIPTION	QTY.
15	A1M004050	Sprocket Retaining Ring ID 20,5 OD 25	1
65	A1M004048	Shaft Bushing for sprocket	1
71	A1M005080	Left Hand Screw	1