

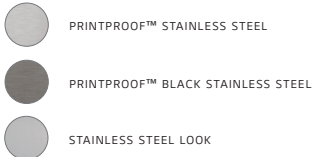
## LG REFRIGERATION

# LRFWS2906\_

## 3-Door French Door Refrigerator

Large Capacity  
 External Water Dispenser with LED Light  
 Factory Installed Ice Maker  
 SmartPull™ Handle  
 PrintProof Finish  
 2 Humidity Crisper Bins  
 ENERGY STAR® Qualified  
 Sabbath Mode

### AVAILABLE COLORS



### CAPACITY

Refrigerator (cu.ft.)	19.5 cu.ft.
Freezer (cu.ft.)	9.5 cu.ft.
Total Capacity (cu.ft.)	29 cu.ft.

### ENERGY

ENERGY STAR® Qualified	ENERGY STAR®
Energy Consumption (kWh/Year)	653

### WATER & ICE SYSTEM

Ice & Water Dispenser	Water Dispenser
Dispenser Type	Integrated Tall Water Dispenser
Daily Ice Production (lbs)	2.5 lbs
IcePlus™ Production (lbs)	2.7 lbs
Ice Storage Capacity (lbs)	4.0 lbs
Dispenser Light	Yes
Water Filter	LT1000P

### COOLING

Compressor Type	Smart Inverter Compressor
Door Cooling+	Yes
Multi-Air Flow™ System	Yes
Temperature Sensors	6
Evaporator	1

### CONVENIENCE

Smart Diagnosis	Yes
Display Type	Membrane / White LED
Temperature Controls	Electronic/Digital
Door Alarm	Yes
Child Lock	Yes
Auto Closing Door Hinge	Yes
Sabbath Mode	Yes

### REFRIGERATOR

No. of Shelves	4 Split(3 Fixed + 1 Folding)
Folding Shelf	1
Cantilevered Shelves	Hybrid Cantilevered
Shelf Construction	Spill Protector™ Tempered Glass
Crisper Bins	2 Humidity Crispers
Glide N' Serve™ Drawer	Yes
Refrigerator Light	Ceiling LED
Handle Type	Bar

### REFRIGERATOR DOOR

No. of Bins	6 Total (2 Adjustable Gallon Sized)
Door Bin Construction	1 Piece (Clear)



### FREEZER

Door Type	Pull Drawer
Drawers	2-Tier Organization
DuraBase™ Solid Drawer Base	Yes
Drawer Divider	Yes
Ice Bin / In-Door Ice	Ice Bin
Freezer Light	LED Lighting
Freezer Handle	SmartPull™ Handle

### MATERIALS AND FINISHES

Contour Door	Yes
Hidden Hinges	Yes
Surface	Smooth
Fingerprint & Smudge Resistant Exterior	Yes
Handles	Matching Commercial Handles
All Available Colors	PrintProof™ Stainless Steel PrintProof™ Black Stainless Steel Stainless Steel Look

### DIMENSIONS/CLEARANCES/WEIGHTS

Depth with Handles	36 1/4"
Depth without Handles	33 3/4"
Depth without Door	29 7/8"
Depth (Total with Door Open)	48 5/8"
Height to Top of Case	68 1/2"
Height to Top of Door Hinge	69 3/4"
Width	35 3/4"
Width (Door Open 90° with Handle)	44 1/4"
Width (Door Open 90° without Handle)	39 1/4"
Door Edge Clearance with Handle	4 1/2"
Door Edge Clearance without Handle	1 3/8"
Installation Clearance	Sides 1/8", Top 1", Back 2"
Weight (Unit/Carton)	295 lbs. / 320 lbs.
Carton Dimensions (WxHxD)	38" x 73" x 39"

### LIMITED WARRANTY

Parts & Labor	1 Year
Sealed System (Parts & Labor)	5 Years
Compressor (Parts & Labor)	5 Years
Smart Inverter Compressor (Parts Only)	5 Years

### UPC CODES

LRFWS2906S (PrintProof™ Stainless Steel)	195174002278
LRFWS2906D (PrintProof™ Black Stainless Steel)	195174002292
LRFWS2906V (Stainless Steel Look)	195174011225

## Top Control Dishwasher with QuadWash™ and TrueSteam®



- QuadWash™ and TrueSteam®
- Dynamic Dry™ Enhanced with TrueSteam®
- 3rd Rack
- EasyRack™ Plus
- 10 Wash Cycles & 9 Options
- LoDecibel™ Quiet Operation (46 dBA)
- Inverter Direct Drive™ Technology
- NeveRust™ Stainless Steel Tub
- LG ThinQ® Technology (Wi-Fi)



### COLOR AVAILABILITY

- LDT5552S – PrintProof™ Stainless Steel
- LDT5552D – PrintProof™ Black Stainless Steel

### CAPACITY

Total Place Settings	15
Upper Rack Dish Height Limit	7.1"
Lower Rack Dish Height Limit	12.5"

### RACKS AND BASKETS

Cutlery Baskets	Yes
Cup Rack	Yes
Stemware Holder	Yes
Fold Down Tines	Yes (Half Fold on Upper & Half Fold on Lower)
BPA-Free Nylon Coated Racks and Tines	Yes
Rack Handle	Yes (Upper)
Smooth Operating Upper Rack	No
Smooth Operating Lower Rack	No
EasyRack™ Plus System	Yes
Height Adjustable Upper Rack	Yes
3rd Rack	Yes

### STYLE AND DESIGN

Control Panel Location	Top Control
Electronic Controls	Fully Integrated Control Panel
SignalLight™ Cycle Indicator Lights	3
Time Remaining Indicator	Yes (LED)
Tub Material	NeveRust™ Stainless Steel
Tub Light	No
Handle	Bar Handle
Fingerprint & Smudge Resistant Exterior	Yes

### FEATURES

ADA Compliant	No
TrueSteam®	Yes
QuadWash™	Yes
Inverter Direct Drive™ Motor	Yes
LoDecibel™ Quiet Operation	46 dBA
Number of Wash Cycles	10 (Auto, Heavy, Delicate, Refresh, Normal, Turbo, Download Cycle, Machine Clean, Rinse, Express)
Number of Options	9 (Dual Zone, Half Load, Energy Saver, Steam, High Temp, Extra Dry, Delay Start, Control Lock, Night Dry)
Number of Spray Arms	3 (Top, Upper, Lower)
SenseClean™ Wash System	Yes
Vario Wash	Yes
Detergent and Rinse-Aid Dispenser	Yes
Drying System	Dynamic Dry
End of Cycle Indicator	Yes (Beeper + END Indication on Display)
Hidden Water Heater	Yes
Safety Float Switch (Leaks)	Yes
Soil (Turbidity) Sensor	Yes
Balanced Door	Yes
3-Stage Filtration System	Yes
NSF®-Certified*	Yes

### SMART FEATURES

Wi-Fi Enabled	Yes
ThinQ®	Yes
ThinQ Care	Yes
Voice Control	Google Assistant, Amazon Alexa
SmartDiagnosis™	Yes
Remote Monitoring	Yes

## TECHNICAL SPECS

ENERGY STAR® Qualified	Yes
CEE Qualified	Tier 1
Energy Consumption (kWh / Year)	258
Water Factor (WF)	2.9
Electrical Requirements	120V, 60 Hz, 15 Amps
Power Outlet Location	Within 48" of Either Side
Power / Plug Type	3-Wire Cable Required
Drain Location	Within 12 ft. of Sink
Water Connection	90° 3/8" Compression Installed at Factory
Water Pressure (Min.–Max.)	20–80 psi
Inlet Water Temperature (Min.–Max.)	120°–149° F



\*LG TrueSteam Dishwashers certified by NSF achieve a minimum 99.999 percent reduction of bacteria when operated on the Steam cycle.

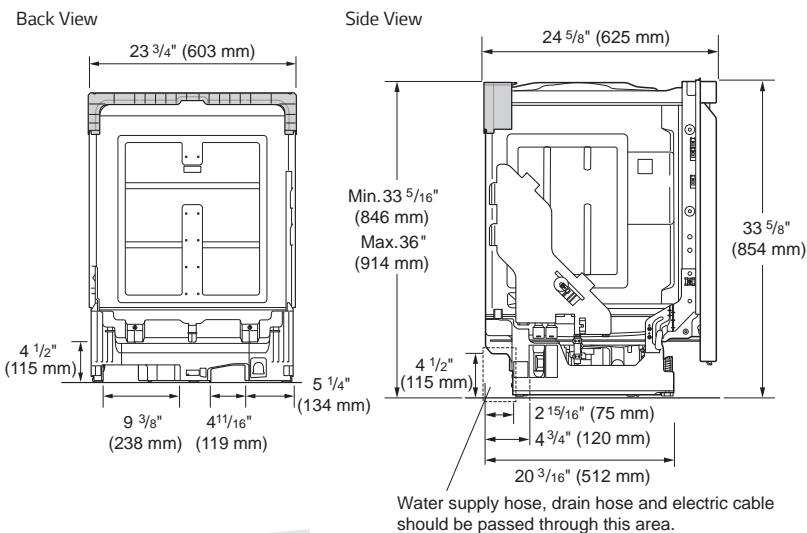
## DIMENSIONS / CLEARANCES / WEIGHTS

Product Dimensions (W x H x D)	23 3/4" x 33 5/8" x 24 5/8"
Adjustable Height	Min. 33 5/8" (Front) – Max. 36"
Depth with Door Closed, Including Handle	24 5/8"
Depth with Door Open	49 1/4"
Cutout Dimensions (W x H x D)	24" x 33 5/8" x 24"
Approx. Weight (Product / Carton)	79.6 lbs. / 91.7 lbs.
Carton Dimensions (W x H x D)	28 1/32" x 29 5/8" x 34 7/8"

## LIMITED WARRANTY

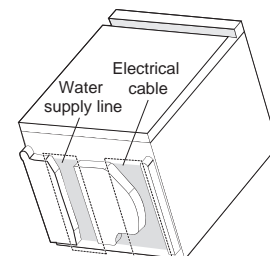
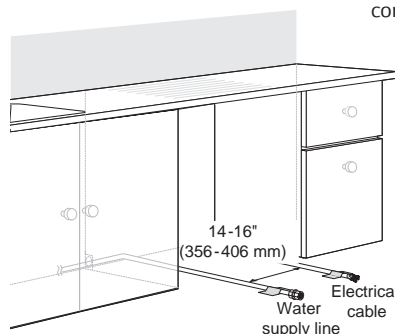
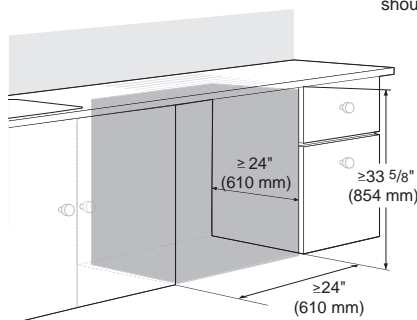
Labor	1 Year
Parts	1 Year
Control Board and Rack Parts	5 Years
Direct Drive Motor	10 Years
Stainless Steel Door Liner or Tub	Lifetime

## DIMENSIONS / CLEARANCES



## INSTALLATION NOTES

- This dishwasher is designed to fit a standard dishwasher opening. An opening may be needed on both sides to route plumbing and electrical connections.
- Select a location as close to the sink as possible for easy connections to water supply line, drain hose and electrical connection.
- To ensure proper drainage, install the dishwasher no more than 12 ft. (3.65 m) from the sink.
- The location must have sufficient space for the dishwasher door to open easily and provide at least 0.1" (2 mm) between the dishwasher and the cabinet sides.
- If installing the dishwasher in a corner, leave a minimum of 2" (50 mm) between the dishwasher and the adjacent wall.
- To allow for proper clearance of plumbing and electrical, use the template included with the literature to determine the clearance on the side of the cabinet where the cabinet meets the back wall. Using a 2 1/2" diameter hole saw, drill a hole in the target area as shown on the template.
- If an extension drain hose is required, use a 5/8" or 7/8" inside diameter, 2–3 ft. length hose and a coupler for connecting the two hose ends.



## LG COOKING

# MVEM1825

1.8 cu. ft. Wi-Fi Enabled Over-the-Range Microwave Oven with EasyClean®

1.8 cu. ft. Oven Capacity

ThinQ® App with Scan-to-Cook & Auto Sync to Smart LG Ranges

Sensor Cook

EasyClean® Interior

SmoothTouch™ Glass Controls

300 CFM Exhaust

### AVAILABLE COLORS



PRINTPROOF™ STAINLESS STEEL



PRINTPROOF™ BLACK STAINLESS STEEL



Enjoy new ways to control your home with LG smart appliances

**LG ThinQ®**

- Install Setup Quick Check
- Preventative Alerts & Guidance
- Performance & Usage Reports



works with the  
Google Assistant



WORKS WITH  
alexa

### CAPACITY

Oven Capacity (cu.ft.) 1.8

### FEATURES

Microwave Power Output (Watts) 1,000  
 Exterior Design WideView™ Window  
 Control Type SmoothTouch™ Glass Controls  
 Control Location Right Side  
 Display White LED

### COOKING FEATURES

Sensor Cook Options 12  
 Power Levels 10  
 Defrost Auto / Time / Rapid Defrost  
 Sensor Reheat Yes  
 Auto Cook Options 3 (Defrost, Soften, Melt)  
 Add 30 Seconds Yes

### CONVENIENCE FEATURES

Wi-Fi Connect (works with ThinQ®) Yes  
 EasyClean® Interior Yes  
 Turntable Diameter (inches) 12.6"  
 Clock Yes  
 Kitchen Timer Yes  
 Completion Beeper Yes  
 Turntable On/Off Yes  
 Add 30 Second Yes

### LIGHTING

Exterior Lighting Halogen  
 Interior Lighting LED Lighting

### SAFETY FEATURES

Child Lock Yes

### VENTING SYSTEM

Filtration Charcoal Filter  
 Exhaust Grease Filter 2  
 Power Levels 2  
 Vent Grille Type Hidden  
 Vent Air Flow (CFM) 300

### MATERIALS/FINISHES

All Available Colors PrintProof™ Stainless Steel  
 PrintProof™ Black Stainless Steel  
 PrintProof™ Finish Yes  
 Interior Color Gray

### DIMENSIONS & WEIGHT

Cavity (WxHxD) 20 11/16" x 10 6/16" x 14 3/16"  
 Exterior (WxHxD) 29 14/16" x 16 7/16" x 15 6/16"  
 Product Weight (lbs) 47.6  
 Shipping Weight (lbs) 60.8  
 Shipping Dimensions (WxHxD) 33 9/16" x 20 1/16" x 19 7/16"

### POWER/RATINGS

Volts 120 / 60  
 Amps / Watts 14A / 1600W

### LIMITED WARRANTY

Parts and Labor 1 Year  
 Magnetron 10 Years

### UPC CODES

MVEM1825F (PrintProof™ Stainless Steel) 048231342063  
 MVEM1825D (PrintProof™ Black Stainless Steel) 048231342070

# LSEL6331F

6.3 cu. ft. Smart Wi-Fi Enabled Electric Slide-in Range with EasyClean®

6.3 cu. ft. Large Capacity

EasyClean® + Self Clean

ThinQ® app with Proactive Customer Care

## AVAILABLE COLORS



PRINTPROOF™ STAINLESS STEEL



**LG ThinQ®**

Enjoy new ways to control your home with LG smart appliances

- Install Setup Quick Check
- Preventative Alerts & Guidance
- Performance & Usage Reports



SUMMARY		OVEN		POWER/RATINGS	
Cooktop Type	Radiant, Ceramic Glass	Oven Type	Single Oven	Amp Rating at 208V	47.1A
Number of Cooktop Burners	5	Oven Cooking System	Traditional	Amp Rating at 240V	54.5A
Oven Type	Single Oven	Oven Cleaning Type	EasyClean® + Self Clean	KW Rating at 208V	9.9kW
Oven Cooking System	Traditional	Self-Clean Oven Door Lock	Automatic	KW Rating at 240V	13.2kW
Oven Capacity (cu. ft.)	6.3	Oven Capacity (cu. ft.)	6.3	Required Power Supply Amp	40A
Oven Cleaning Type	EasyClean® + Self Clean	Broiler Element Power	4200W	DIMENSIONS & WEIGHT	
Drawer Type	Storage	Bake Element Power	3400W	Cabinet Width (in.)	30
Size in Width (in.)	30	Hidden Bake Element	Yes	Overall Depth (in.) - including handle	29 7/32" (742mm)
APPEARANCE		Number of Rack Positions	7	Overall Height (in.)	37 1/4" (946mm)
Color	PrintProof™ Stainless Steel	Number of Oven Racks	2	Overall Width (in.)	29 7/8" (759mm)
Control Type	SmoothTouch™ Glass	Oven Rack Type	2 Standard	Product Weight (lb)	161
Knobs	Stainless Steel Appearance, Weighted	Drawer Type	Storage	Shipping Weight (lb)	183
Oven Door Feature	WideView™ Window	Oven Modes	Bake, Broil, EasyClean®, Self Clean, Warm, Keep Warm, Proof	Shipping Dimensions (W x H x D) (in.)	32 1/2" x 44" x 30 1/2"
Cooktop Finish	Porcelain Enamel	Oven Light Type	Halogen	UPC CODES	
COOKTOP		CONTROL FEATURES		LSEL6331F (PrintProof™ Stainless Steel)	048231342025
Cooktop Type	Radiant, Ceramic Glass	Kitchen Timer	Yes		
Number of Cooktop Burners	5	Timed Cook	Yes		
Element/Burner - Left Front	9" / 6" Dual, 3200W UltraHeat™	Oven Control Lock	Yes (Cooktop, Key)		
Element/Burner - Left Rear	6" Single, 1200W	Sabbath Mode	Yes		
Element/Burner - Right Front	9" / 6" Dual, 3200W UltraHeat™	SMART FEATURES			
Element/Burner - Right Rear	6" Single, 1200W	Wi-Fi Connect	Yes		
Element/Burner - Center	7" Single, 100W Warming Zone	Proactive Customer Care	Yes		
Hot Surface Indicator Light	Yes	Smart Diagnosis™	Yes		
		Works with	LG ThinQ® Amazon Alexa Google Assistant SIDECHEF Innit (*)		

\*These partners may not yet be available at the time of purchase of this product, please continue to check for app updates

# LSGL5831F

5.8 cu ft. Smart Wi-Fi Enabled Gas Slide-in Range with EasyClean®

5.8 cu ft. Capacity

EasyClean® + Self Clean

17K BTU on Edge-to-edge cooktop

ThinQ® app with Proactive Customer Care

## AVAILABLE COLORS



PRINTPROOF™ STAINLESS STEEL



**LG ThinQ®**

Enjoy new ways to control your home with LG smart appliances

- Install Setup Quick Check
- Preventative Alerts & Guidance
- Performance & Usage Reports



SUMMARY		OVEN		POWER/RATINGS	
Cooktop Type	Sealed	Oven Type	Single Oven	Volts/Hertz/Amps	120V/60Hz/3.9A
Number of Cooktop Burners	5	Oven Cooking System	Traditional	DIMENSIONS & WEIGHT	
Oven Type	Single Oven	Oven Cleaning Type	EasyClean® + Self Clean	Cabinet Width (in.)	30
Oven Cooking System	Traditional	Self-Clean Oven Door Lock	Automatic	Overall Depth (in.) - including handle	29 7/32" (742mm)
Oven Capacity (cu. ft.)	5.8	Oven Capacity (cu. ft.)	5.8	Overall Height (in.)	37 1/4" (946mm)
Oven Cleaning Type	EasyClean® + Self Clean	Broiler Element Power	13,500 BTU	Overall Width (in.)	29 7/8" (759mm)
Drawer Type	Storage	Bake Element Power	19,000 BTU	Product Weight (lb)	168
Size in Width (in.)	30	Number of Rack Positions	7	Shipping Weight (lb)	192
APPEARANCE		Number of Oven Racks	2	Shipping Dimensions (W x H x D) (in.)	32 1/2" x 44" x 30 1/2"
Color	PrintProof™ Stainless Steel	Oven Rack Type	2 Standard	UPC CODES	
Control Type	SmoothTouch™ Glass	Drawer Type	Storage	LSGL5831F (PrintProof™ Stainless Steel)	048231342049
Knobs	Stainless Steel Appearance, Weighted	Oven Modes	Bake, Broil, EasyClean®, Self Clean, Warm, Keep Warm, Proof	SMART FEATURES	
Oven Door Feature	WideView™ Window	Oven Light Type	Halogen	Wi-Fi Connect	Yes
Cooktop Finish	Porcelain Enamel	CONTROL FEATURES		Proactive Customer Care	Yes
COOKTOP		Kitchen Timer	Yes	Smart Diagnosis™	Yes
Cooktop Type	Sealed	Timed Cook	Yes	Works with	LG ThinQ® Amazon Alexa Google Assistant SIDECHEF Innit (*)
Number of Cooktop Burners	5	Oven Control Lock	Yes (Key)		
Element/Burner - Left Front	12,000 BTU	Sabbath Mode	Yes		
Element/Burner - Left Rear	9,100 BTU	SMART FEATURES			
Element/Burner - Right Front	17,000 BTU SuperBoil™	Wi-Fi Connect	Yes		
Element/Burner - Right Rear	5,000 BTU	Proactive Customer Care	Yes		
Element/Burner - Center	10,000 BTU Oval	Smart Diagnosis™	Yes		
Cooktop Burner Grate Features	Edge-to-edge continuous grates				
Cooktop Burner Grate Material	Cast Iron				

\*These partners may not yet be available at the time of purchase of this product, please continue to check for app updates

**LG LAUNDRY**

# DLEX4000\_ / DLGX4001\_

## 7.4 cu.ft. Front Load Dryer with TurboSteam™ and Built-In Intelligence

7.4 cu. ft. Ultra Large Capacity  
 TurboSteam™ Technology  
 AI Fabric Sensor/ Smart Pairing™  
 LG ThinQ® Technology / Proactive Customer Care  
 Tempered Glass Door  
 FlowSense™ Duct Clogging and Lint Filter Indicators  
 ENERGY STAR® Certified  
 Closet Depth  
 LoDecibel™ Quiet Operation  
 Reversible Door  
 Wrinkle Care Option

**AVAILABLE COLORS**

**LG ThinQ®**
**Enjoy new ways to control your home with LG smart appliances**

- Use the ThinQ® app to start the laundry while you're out
- Get alerts when the cycle is finished
- With Smart Pairing™, the washer can tell the dryer to select a compatible drying cycle



SUMMARY		FABRIC CARE FEATURES		POWER SOURCE	
Type	Front Load Dryer	A.I Dry	Yes	Ratings	CSA Listed
Capacity	7.4 cu. ft.	Sensor Dry	Yes	Electrical Requirements	120V, 15 Amps (Gas) / 240V 30 Amps (Electric)
Matching Washer	WM4000HWA, WM4000HBA	Precise Temperature Control with Variable Heater	Yes	Type	Electric, Gas
Sensor Dry	Yes	Steam	TurboSteam™	BTU Rating	20,000 Feet
Steam	Yes	<b>CONVENIENCE FEATURES</b>		<b>OPTIONS</b>	
Color	White (W), Black Steel (B)	3 Minute Installation Check	Yes	LP Conversion Kit	383EEL3002D
<b>APPEARANCE</b>		LoDecibel™ Quiet Operation	Yes	Side Venting Kit	3911EZ9131X
Intelligent Electronic Controls with LED Display	Yes	End of Cycle Signal	Yes	Pedestal	WDP4W, WDP4B
Dial-A-Cycle™	Yes	Drum Light	Yes	Pedestal (WxHxD)	27" x 14 1/8" x 30 3/4" (50 1/2" D with door open)
Touch Buttons	Yes	Reversible Door	Yes	<b>DIMENSIONS (ELECTRIC)</b>	
<b>DRYER PROGRAMS</b>		FlowSense™ Duct Clogging Indicator	Yes	Product (WxHxD)	27" x 39" x 30 1/8"
No. of Programs	12	Wrinkle Care Option	Yes	Depth with Door Open	51 3/8"
Programs (Sensor Dry)	Normal, Heavy Duty, Bedding, Anti Bacterial, SteamSanitary™, SteamFresh™, Perm Press, Delicates, Towels, Speed Dry (Manual Dry), Air Dry (Manual Dry), Downloaded	Child Lock	Yes	Carton (WxHxD)	29 1/2" x 42 1/4" x 31 1/4"
No. of Options	12	Venting Option	Electric: 4 Way Venting / Gas: 3 Way Venting	Weight (Product)	125.3 lbs
Options	More Time, Less Time, Damp Dry Signal, Wrinkle Care, Control Lock, Wi-Fi, Energy Saver, TurboSteam™, Reduce Static, Remote Start, Drum Light, Signal	4 Adjustable Legs	Yes	Weight (Carton)	142.6 lbs
Temperature Settings	High, Med.High, Medium, Low, Ultra Low	Remaining Time Display/Status Indicator(s)	Yes	<b>DIMENSIONS (GAS)</b>	
Drying Levels	Very Dry, More Dry, Normal Dry, Less Dry, Damp Dry	<b>ThinQ® TECHNOLOGY</b>		Product (WxHxD)	27" x 39" x 30 1/8"
Manual Dry Times	60 min., 50 min., 40 min., 30 min., 20 min., More Time/Less Time	SmartDiagnosis™ (v3.0)	Yes	Depth with Door Open	51 3/8"
		Wi-Fi	Yes	Carton (WxHxD)	29 1/2" x 42 1/4" x 31 1/4"
		Remote Start and Cycle Monitor	Yes	Weight (Product)	139.3 lbs
		Energy Monitoring	Yes (Wi-Fi)	Weight (Carton)	155.0 lbs
		<b>ENERGY</b>		<b>LIMITED WARRANTY</b>	
		ENERGY STAR® Certified	Yes	Parts & Labor	1 Year
		CEF	3.94 (Electric), 3.49 (Gas)	Drum	3 Years
		<b>MATERIALS AND FINISHES</b>		<b>UPC CODES</b>	
		Aluminized Alloy Steel Drum	Yes	DLEX4000W (White)	048231028370
		Tub Rear	Painted	DLGX4001W (White)	048231028387
		Cabinet	Painted Steel	WM4000HWA (White)	048231028288
		Door	Tempered Glass Door	DLEX4000B (Black Steel)	048231028356
		All Available Colors	White (W), Black Steel (B)	DLGX4001B (Black Steel)	048231028363
				WM4000HBA (Black Steel)	048231028271

**LG LAUNDRY**
**WM4000H\_A**

 4.5 cu.ft. Front Load Washer with TurboWash™ 360°  
 and Built-In Intelligence

4.5 cu. ft. Ultra Large Capacity  
 TurboWash™ 360° Technology  
 AI Fabric Sensor/ Smart Pairing™  
 AAFA certified LG washer  
 LG ThinQ® Technology / Proactive Customer Care  
 Tempered Glass Door  
 ColdWash™ Technology  
 Direct Drive Motor 10-Year Limited Warranty  
 ENERGY STAR® Certified  
 Closet Depth  
 NeveRust™ Stainless Steel Tub

## AVAILABLE COLORS


**LG ThinQ®**

**Enjoy new ways to control your home with LG smart appliances**

- Use the ThinQ® app to start the laundry while you're out
- Get alerts when the cycle is finished
- With Smart Pairing™, the washer can tell the dryer to select a compatible drying cycle

**SUMMARY**

Type	Front Load Washer
Capacity (cu.ft.)	4.5 cu. ft.
Matching Electric Dryer	DLEX4000W, DLEX4000B
Matching Gas Dryer	DLGX4001W, DLGX4001B
Color	White (W), Black Steel (B)
<b>APPEARANCE</b>	
Hard Buttons	Yes
Touch Buttons	Yes
Dial-A-Cycle™	Yes
<b>ENERGY</b>	
ENERGY STAR® Most Efficient 2019	Yes
ENERGY STAR® Qualified	Yes
CEE Tier	2
IMEF	2.92
IWF	2.9
<b>WASH PROGRAMS</b>	
No. of Programs	12
Wash Programs	Normal, Perm. Press, Heavy Duty, Delicates, Towels, Speed Wash, Bedding, Tub Clean, Bright Whites™, Sanitary, Allergiene™, Downloaded
<b>WASH OPTIONS</b>	
No. of Options	13
Options	TurboWash®, Steam, Fresh Care, Pre-wash, Remote Start, Delay Wash, Wi-Fi, Add Item, ColdWash, Extra Rinse, Rinse+Spin, Control Lock, Spin Only
<b>WASH DETAILS</b>	
No. of Wash/Rinse Temps	5
Wash/Rinse Temps	Extra Hot, Hot, Warm, Cold, Tap Cold
No. of Spin Speeds	5

Spin Speeds	Extra High, High, Medium, Low, No Spin
Max RPM	1300
Water Levels	Load Sensing
No. of Soil Levels	5
<b>FABRIC CARE FEATURES</b>	
AI DD™	Yes
TurboWash™ 360 Technology	Yes
Steam Technology	Yes
Allergiene™ Cycle	Yes
Sanitary Cycle	Yes
ColdWash™ Option	Yes
SenseClean™ System	Yes
<b>CONVENIENCE FEATURES</b>	
TrueBalance™ Anti-Vibration System	Yes
4 Tray Dispenser	Prewash, Main Wash (with liquid detergent cup), Bleach, Fabric Softener
LoDecibel™ Quiet Operation	Yes
End of Cycle Signal	Yes
LoadSense	Yes
Child Lock	Yes
Auto Suds Removal	Yes
Leveling Legs	4 Adjustable Legs
Easy Loading TilTub™	Yes
<b>ThinQ® TECHNOLOGY</b>	
SmartDiagnosis™ (v3.0)	Yes
Wi-Fi	Yes
Remote Start and Cycle Monitor	Yes
Energy Monitoring	Yes
<b>MOTOR AND AGITATOR</b>	
Motor Type	Inverter Direct Drive Motor
Axis	Horizontal

**MATERIALS AND FINISHES**

NeveRust™ Stainless Steel Drum	Yes
Cabinet	PCM
Control Panel	Plastic
Top Plate	Painted
Door / Rim	Glass/Sand Beige
Door Cover	Tinted Cover
All Available Colors	White (W), Black Steel (B)
<b>CERTIFICATION</b>	
AAFA	Yes
<b>POWER SOURCE</b>	
Ratings	UL Listed
Electrical Requirements	120V, 10 Amps
Type	Electric
<b>OPTIONS/ACCESSORIES</b>	
Pedestal	WDP4W, WDP4B
Pedestal (WxHxD)	27 x 14 1/8 x 30 3/4 (50 9/16 D with door open)
LG Sidekick™ Pedestal Washer	WD100CW, WD100CB
LG Sidekick™ Pedestal Washer (WxHxD)	27 x 14 1/8 x 30 3/4 (50 9/16 D with door open)
Stacking Kit	KSTK1
<b>DIMENSIONS</b>	
Product (WxHxD)	27" x 39" x 30 1/4"
Depth with Door Open	(55" D with door open)
Carton (WxHxD)	29 23/32" x 41 27/32" x 31 17/32"
Weight (Product/Carton)	187.4 / 209.8 lbs
<b>LIMITED WARRANTY</b>	
Parts and Labor	1 Year
Direct Drive Motor	10 Years
Drum	3 Years
<b>UPC CODES</b>	
WM4000HWA (White)	048231028288
WM4000HBA (Black Steel)	048231028271