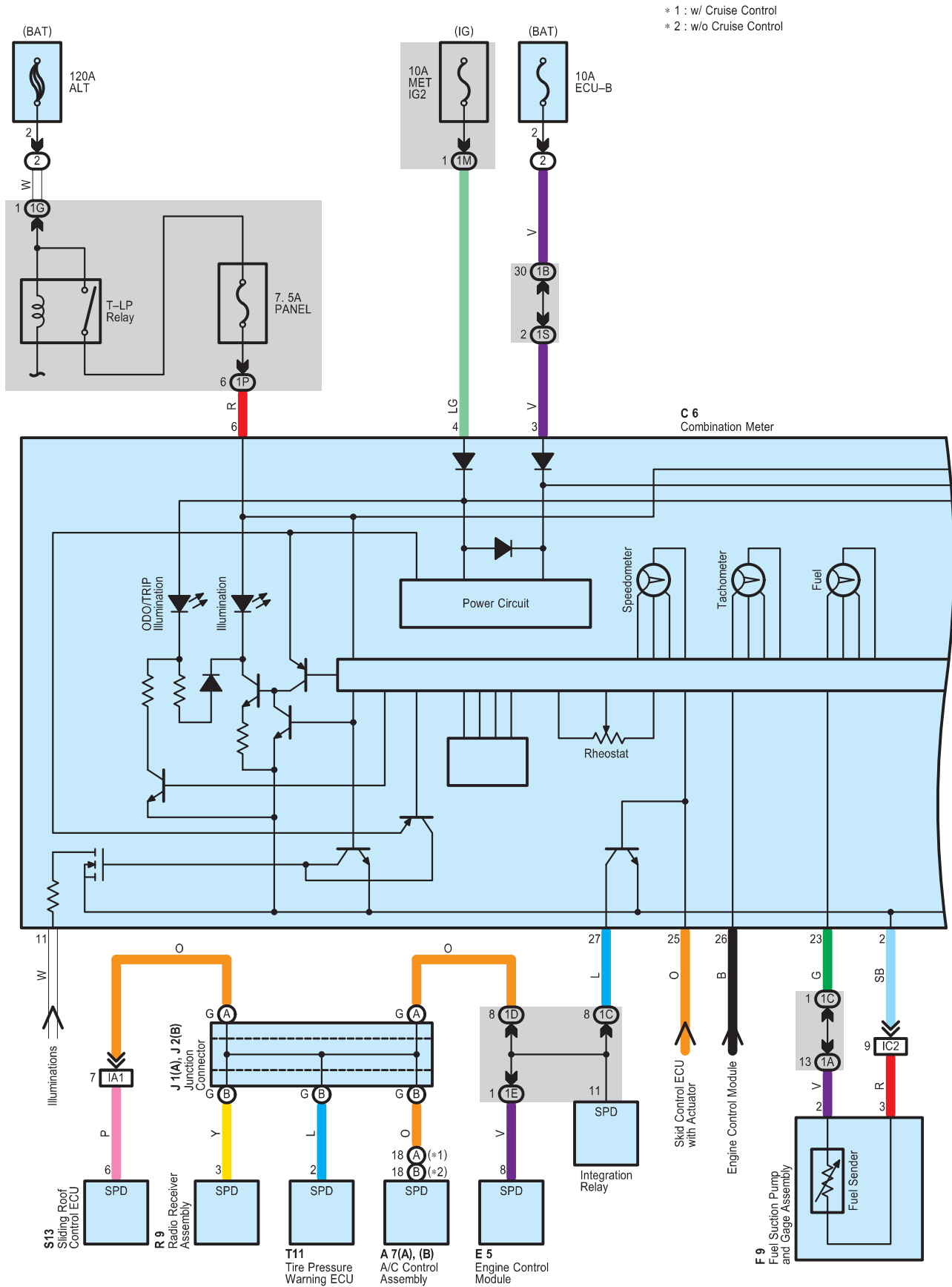
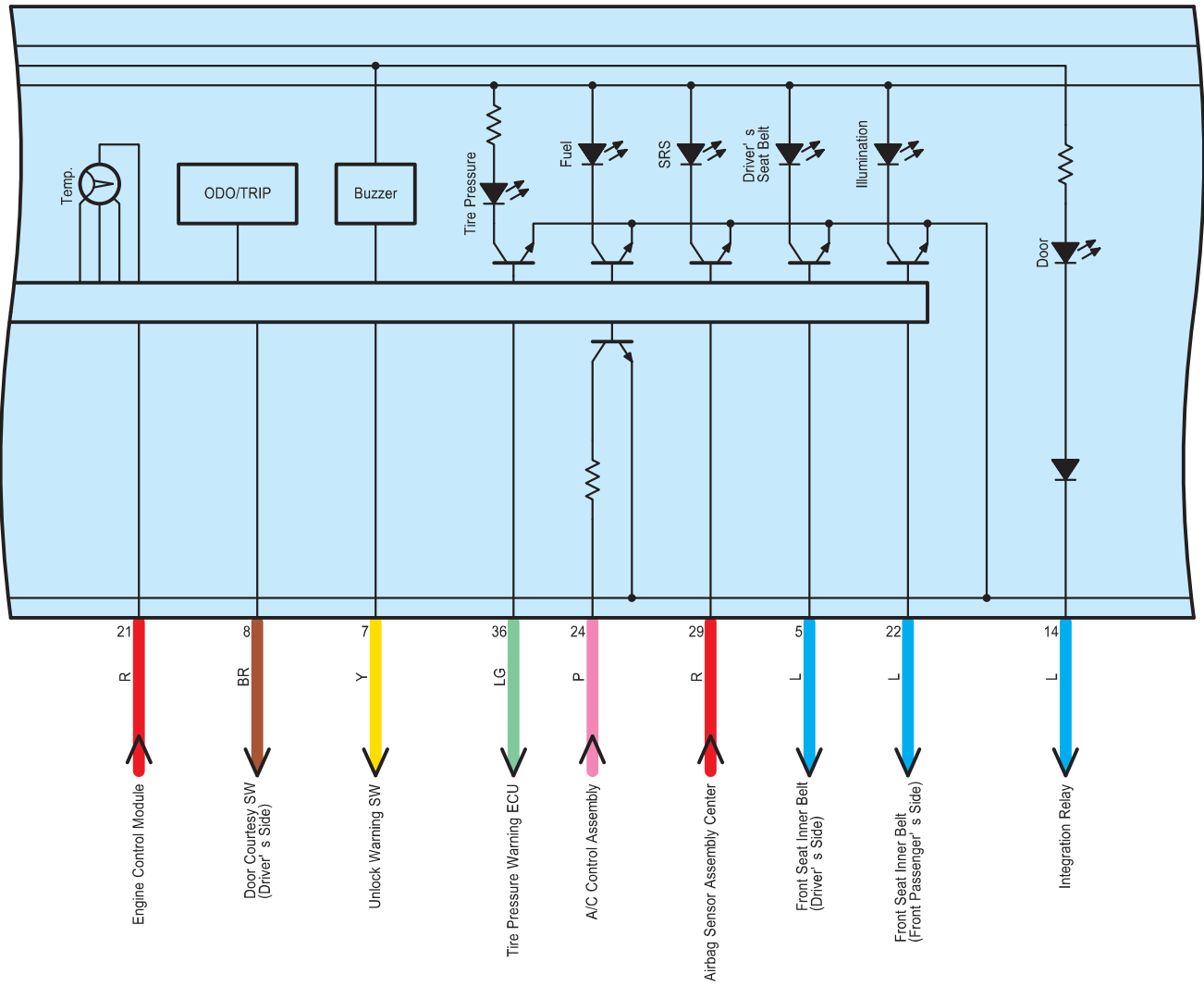


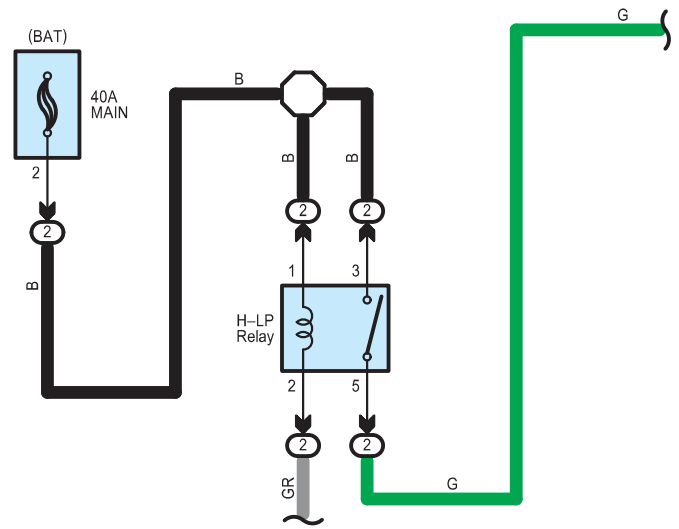
Combination Meter



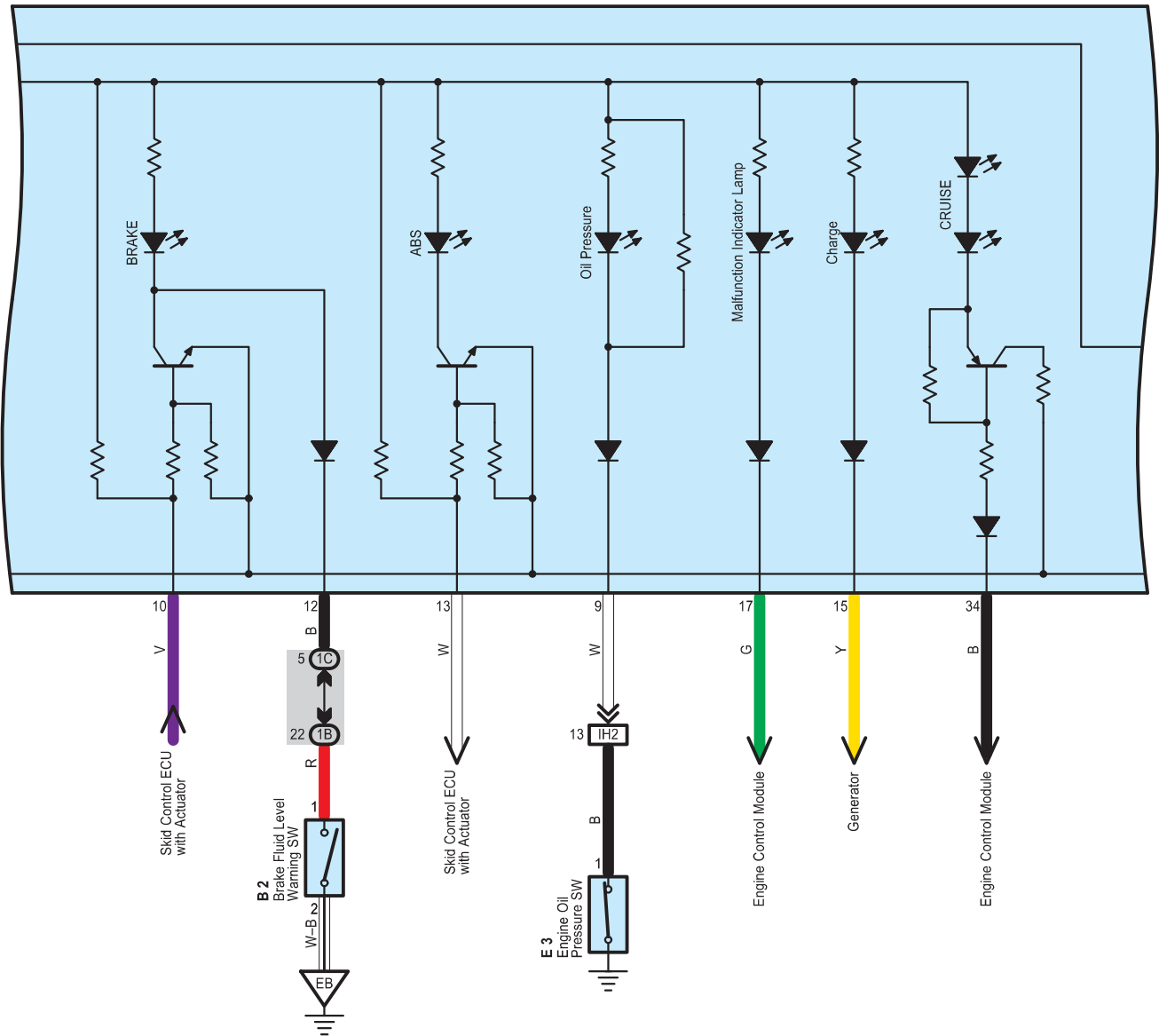
C 6
Combination Meter



Combination Meter



C 6
Combination Meter



Combination Meter

: Parts Location

Code	See Page	Code	See Page	Code	See Page	
A7	A	36	E5	36	J5 B	37
	B	36	F9	38	J7	37
B2	34	J1	A	37	R9	37
C6	36	J2	B	37	S13	39
E3	34	J4	A	37	T11	37

: Relay Blocks

Code	See Page	Relay Blocks (Relay Block Location)
2	22	Engine Room R/B (Engine Compartment Left)

: Junction Block and Wire Harness Connector

Code	See Page	Junction Block and Wire Harness (Connector Location)
1A	24	Floor Wire and Instrument Panel J/B (Lower Finish Panel)
1B	24	Engine Room Main Wire and Instrument Panel J/B (Lower Finish Panel)
1C	24	Instrument Panel Wire and Instrument Panel J/B (Lower Finish Panel)
1D		
1E		
1G	24	Engine Room Main Wire and Instrument Panel J/B (Lower Finish Panel)
1M	25	Instrument Panel Wire and Instrument Panel J/B (Lower Finish Panel)
1P		
1S		

: Connector Joining Wire Harness and Wire Harness

Code	See Page	Joining Wire Harness and Wire Harness (Connector Location)
IA1	42	Roof Wire and Instrument Panel Wire (Cowl Top Side Panel LH)
IC2	42	Floor Wire and Instrument Panel Wire (Left Kick Panel)
IE1	42	Engine Room Main Wire and Instrument Panel Wire (Behind of the Combination Meter)
IH1	43	Engine Wire and Instrument Panel Wire (Cowl Side Panel RH)
IH2		

: Ground Points

Code	See Page	Ground Points Location
EB	40	Front Right Fender
ED	40	Front Left Side of the Cylinder Head