

EV(M) SUBMERSIBLE DRAINAGE PUMP



The EV(M) is made of stainless steel and special resin. The pump is light weight but also corrosion-resistant as well. Built-in vortex impeller and large passage facilitate pump operation to readily dispose of liquid containing various kinds of foreign material.

APPLICATION

- Transferring wastewater between tanks at small-scale facilities.
- Draining sewage from factory, residence, hotel, restaurant, etc.
- Pumping rainwater and spring water at a place where foreign objects are likely to run into water.

SPECIFICATION

- Water temperature: up to 104°F
- PH: 4 to 10
- Power supply: single phase 120V ± 10%, 60Hz

Three phase 460V ± 10%, 60Hz

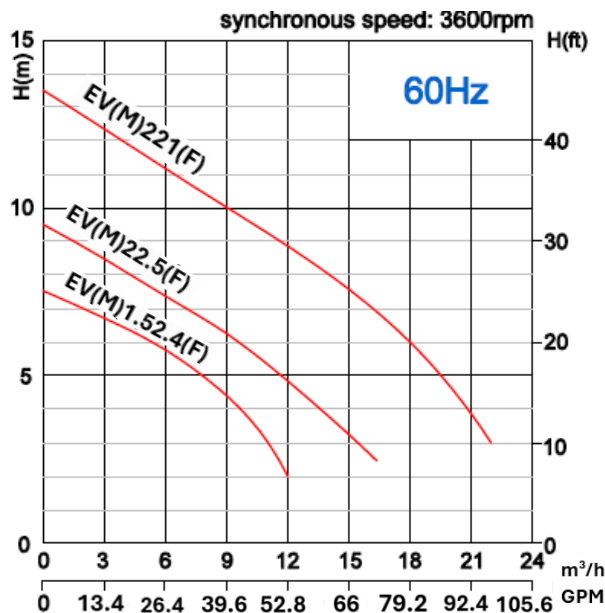
- Insulation class: F
- Protection class: IP68
- Cable length: 26ft
- Max water depth: 32ft

SPECIAL FEATURES ON REQUEST

- Other voltages

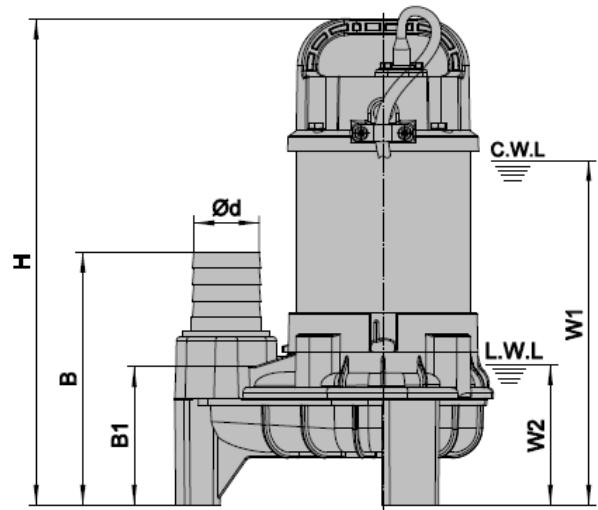
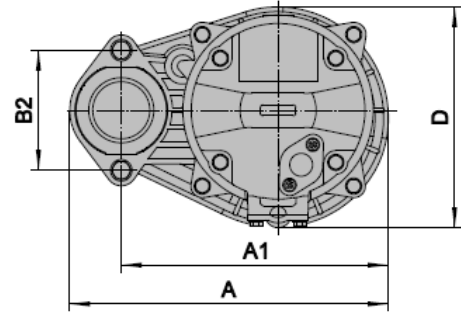
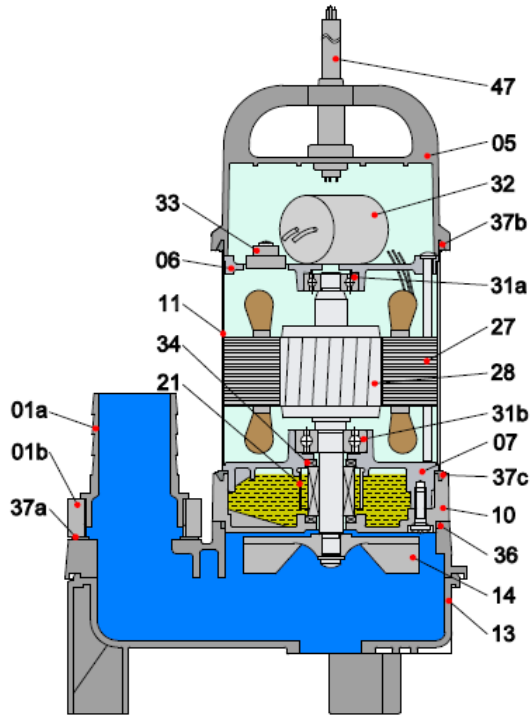
PERFORMANCE CURVE & TABLE

Note: EV: three phase; EVM: single phase;
EVM...F: single phase with float switch



Model	Outlet		Motor Power		Rated current (A)		Rate capacity		Rated head (m)	Rated head (ft)	max capacity		max head (m)	Impeller passage (mm)
	mm	inch	kW	HP	Single Phase	Three phase	m³/h	GPM			m³/h	GPM		
EV(M)1.52.4(F)	40	1.5	0.25	0.4	3.7	1.5	8	35.2	5	16.4	12	52.8	7.5	35
EV(M)22.5(F)	50	2	0.4	0.5	5.5	2.2	9	39.6	6	19.7	16.8	73.92	9.5	35
EV(M)221(F)	50	2	0.75	1	3.7	3.3	12	52.8	9	29.5	22.2	97.68	13.5	35





C.W.L.: continuous running water level
L.W.L.: lowest running water level

Materials of components

Item No.	Part name	Material	Item No.	Part name	Material
01a	Hose coupling	ABS	28	Rotor	Shaft:AISI304SS
01b	Hose coupling	PA66	31a	Bearing	Ball bearing
05	Upper cover	PPS	31b	Bearing	Ball bearing
06	Up-Bearing house	Aluminum die casting	32	Capacitor	
07	Bearing house	Aluminum die casting	33	Motor protector	
10	Seal house	PPS	34	Mechanical seal	Sio-Ceramic/Ceramic-Carbon
11	Motor casing	AISI304SS	36	O'ring	NBR
13	Pump body	ABS	37a	Gasket	NBR
14	Impeller	PPO	37b	Gasket	NBR
21	Oil riser	LDPE	37c	Gasket	NBR
27	Stator		47	Cable	H07RN-F

Model	d	A	A1	B	B1	B2	D	H	W1	W2	N.W	G.W	Packing dimensions
	mm	mm	mm	mm	mm	mm	mm	Kg	Kg	mm	Kg	Kg	
EV(M)1.52.3(F)	40	234	196	189	103	88	162	370	270	110	9	10	415x250x240
EV(M)22.5(F)	50	234	196	189	103	88	162	370	270	110	10	11	415x250x240
EV(M)221(F)	50	234	196	189	103	88	162	400	300	110	13	14	445x250x240
EV(M)221	50	234	196	189	103	88	162	390	290	110	11	12	445x250x240