

The ETZ series is a submersible slurry pump with a 4-pole motor for increased lifetime. High chrome alloy impeller combined with agitator is designed for pumping heavy slurry. A cooling water jacket allows the pump to operate at low water level for extended period of time without any fear of overheating.

SPECIFICATION

- Capacity: up to 1,082 GPM
- Head: up to 89 ft
- Discharge: 80mm (3") to 150mm (6")
- Power: 2.2 kW (3HP) to 11 kW (15HP)
- Power supply: single phase 460V \pm 10%, 60Hz
- Insulation class: F
- Protection class: IP68
- Cable length: 26ft
- water temperature: up to 104°F
- Max water depth: 32ft

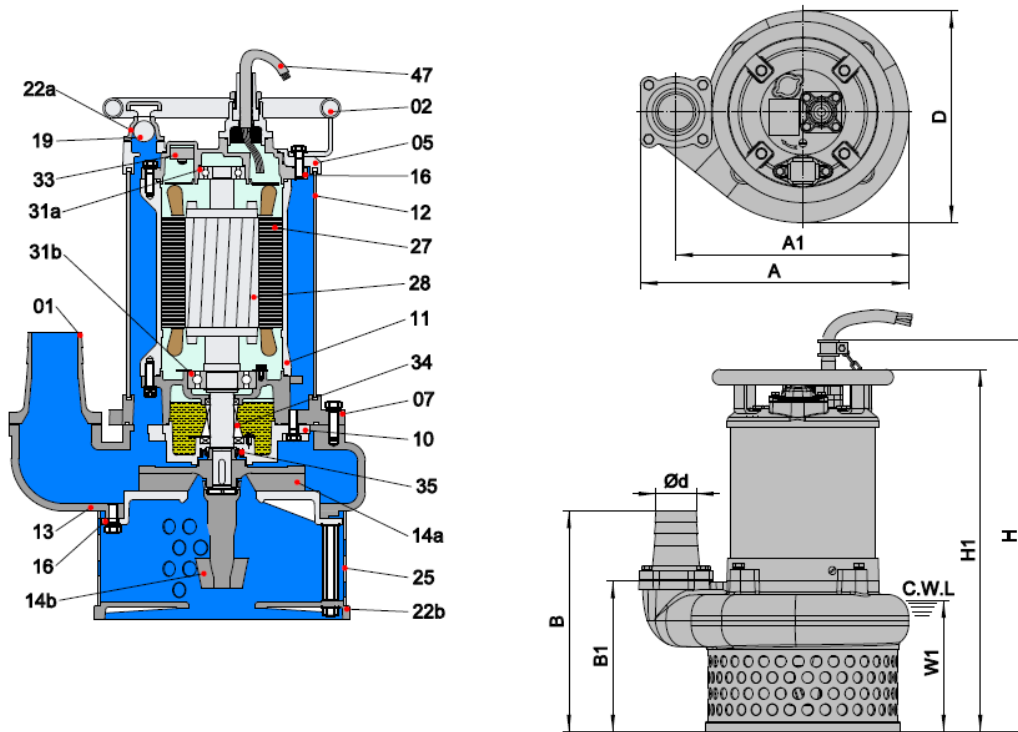
APPLICATION

- Civil engineering
- Mines, quarries, coal ore & slurries
- Sewage treatment plants
- General pumping purposes
- Pumping fluid: sludge, liquid-containing mud and bentonite

SPECIAL FEATURES ON REQUEST

- Other voltages
- Optional longer cables





C.W.L: continuous running water level

Materials of components

Item No.	Part name	Material	Item No.	Part name	Material
01	Hose coupling	Cast iron	22a	Valve seat	Cast iron
02	Handle	Steel	22b	Seat assembly	Cast iron
05	Upper cover	Cast iron	25	Strainer	Steel
06	Up-Bearing house	Cast iron	27	Stator	
07	Bearing house	Cast iron	28	Rotor	Shaft:AISI420SS
10	Seal house	Cast iron	31a	Bearing	Ball bearing
11	Motor body	Cast iron	31b	Bearing	Ball bearing
12	Outer casing	Steel	33	Motor protector	
13	Pump body	Cast iron	34	Mechanical seal	SiC-SiC/SiC-SiC (<5.5kW) To-SiC/SiC-SiC(11kW)
14a	Impeller	High chrome alloy	35	Oil seal	
14b	Agitator	High chrome alloy	47	Cable	
16	Inlet plate	Ductile iron			
19	Check value	NBR			

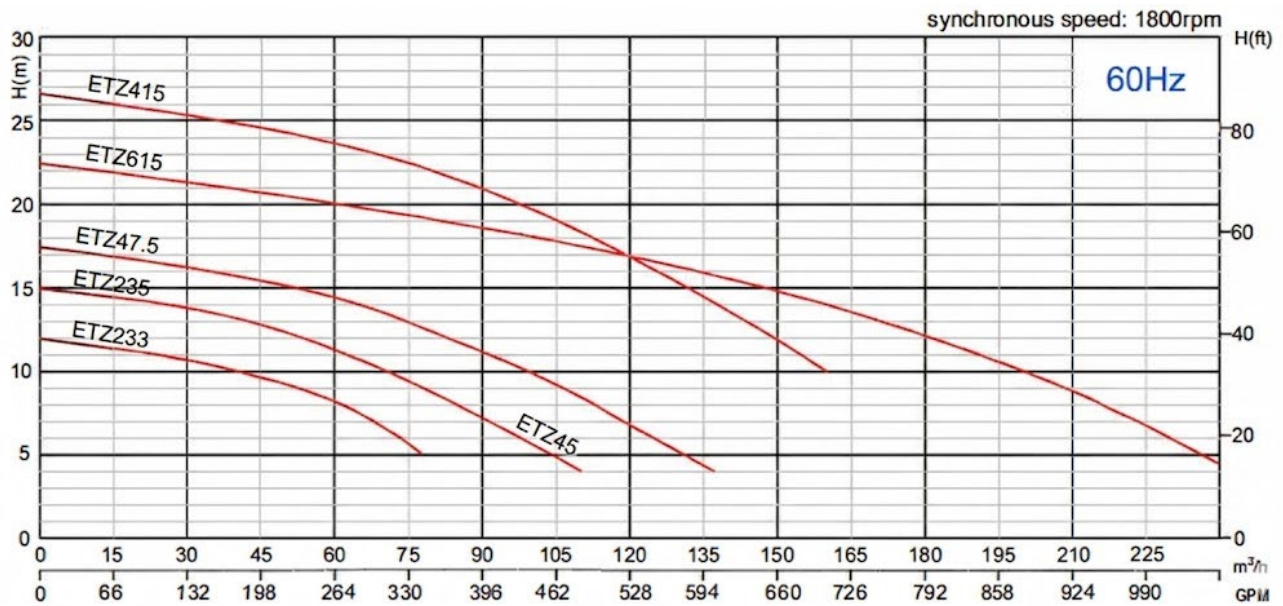
Dimensions and Weights

Model	d	A	A1	B	B1	D	H	H1	W1	N.W	G.W	Packing dimensions mm
	mm	mm	mm	mm	mm	mm	mm	Kg	Kg	Kg	Kg	
ETZ33	80	469	408	378	257	371	685	625	230	92	99	765x405x515
ETZ35	80	469	408	378	257	371	750	690	230	108	116	830x405x515
ETZ45	100	469	408	378	257	371	750	690	230	108	116	830x405x515
ETZ47.5	100	494	433	383	262	386	795	735	225	139	151	835x425x560
ETZ415	100	598	505	436	275	441	862	802	240	210	226	910x475x665
ETZ420	150	598	505	436	275	441	862	802	240	210	226	910x475x665

ETZ SUBMERSIBLE SLURRY PUMP



PERFORMANCE CURVE AND TABLE



PERFORMANCE TABLE

Model	Outlet	Outlet	Motor Power		Rated current (A)		Rate capacity		Rated head	Rated head	max capacity		max head	Impeller passage
	mm	inch	kW	HP	330	460	m ³ /h	GPM	m	ft	m ³ /h	GPM	m	mm
ETZ33	80	3	2.2	3	5.5	4.5	36	158	10	72	72	317	12	20
ETZ35	80	3	3.7	5	8.2	6.8	36	158	14	44	86	380	15	20
ETZ45	100	4	3.7	5	8.2	6.8	60	264	11	36	114	502	15	20
ETZ47.5	100	4	5.5	7.5	11.7	9.7	65	286	14	46	138	607	17.5	30
ETZ415	100	4	11	15	22.0	18.2	60	264	24	79	162	713	27	20
ETZ615	150	6	11	15	22.0	18.2	120	528	17	56	246	1082	22.5	30

