

EQNS SUBMERSIBLE SLURRY PUMP



EQNS series submersible sand pump is specially designed for pumping in harsh environment, sites containing solids and other abrasive materials. Each component fully reflects the design concepts of high durability, reliability and ease of maintenance. Each EQNS submersible sand pump comes with a 4 pole motor that has F class insulation. The impeller is made out of high chrome, pump body is ductile iron and the motor body is cast iron. The agitator that comes standard with the pump is made out of a high chrome material and assist with keeping sand in suspension.



Specification

- Insulation class: F
- Protection class: IP68
- Water temperature: up to 104 °F
- Power Supply: 460V \pm 10%, 60Hz
- PH: 6 to 10
- Liquid Density: up to 1.3SG
- Head: 187 feet
- Max water depth: 50 ft
- Cable length: 26 ft

Application

- Underwater sand extraction, cleaning the bottom of a pond, cleaning sediment tank.
- Mines, quarries, coal ore & slurries
- Construction silt water drainage
- General pumping purposes

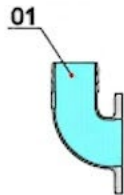
Special features on request

- Other voltages
- Cable length is adjustable

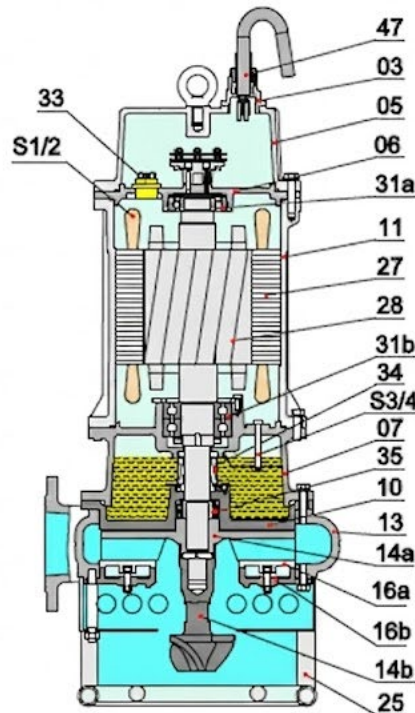
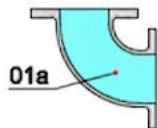


Type	Pump body	Impeller, Agitator, Inlet plate
EQNS	Ductile iron	High chrome alloy
EQNS-G	High chrome alloy	

Movable Soft Pipe Installation (R)



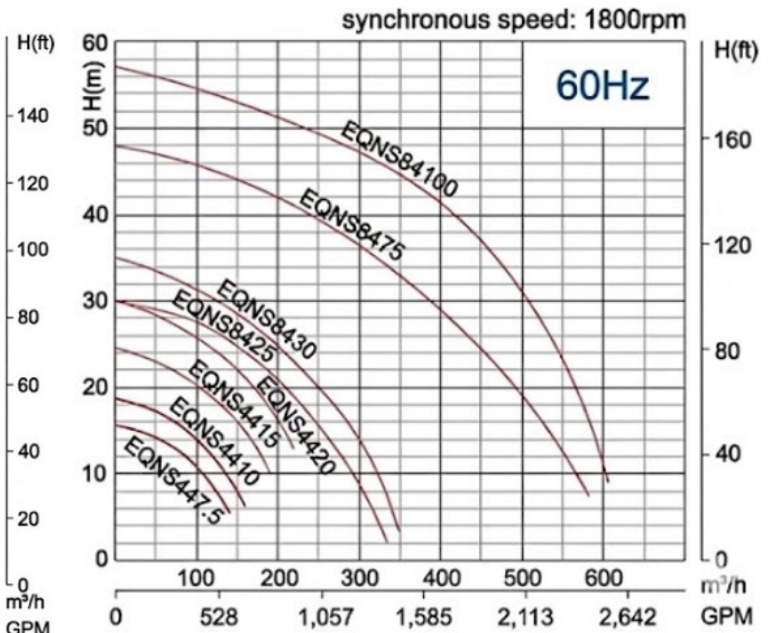
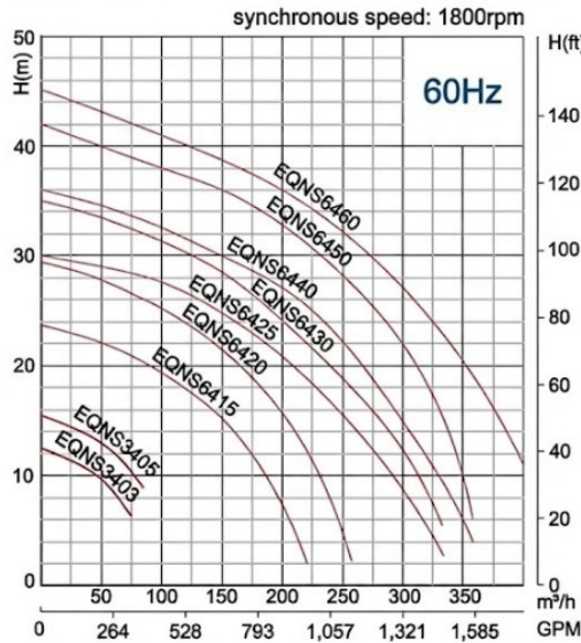
Movable Hard Pipe Installation (Y)



Materials of components

Item No.	Part name	Material
01	Hose coupling	Cast iron
01a	Hose coupling	Cast iron
03	Terminal box	Cast iron
05	Upper cover	Cast iron
06	Up-Bearing house	Cast iron
07	Bearing house	Cast iron
10	Seal bracket	Ductile iron
11	Motor body	Cast iron
13	Pump body	Ductile iron
14a	Impeller	High chrome alloy
14b	Agitator	High chrome alloy
16a	Inlet plate	High chrome alloy
16b	Inlet plate	Cast iron
25	Strainer	
27	Stator	Shaft : AISI420SS
28	Rotor	
31a	Bearing	
31b	Bearing	
33	Motor protector	< 7.5kW
34	Mechanical seal	SiC-SiC/SiC-SiC
35	Oil seal	
47	Cable	
S1/2	Overheat protector : 55~75kW (2.2~45kW : on option)	
S3/4	Oil water leakage probe : 55~75kW (5.5~45kW : on option)	

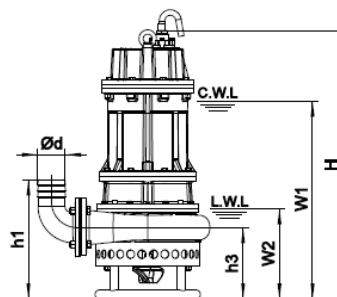
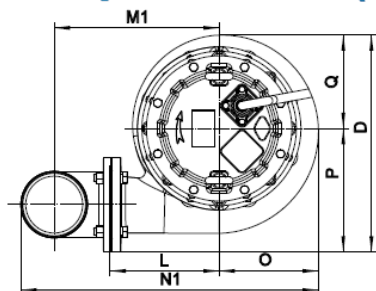
EQNS SUBMERSIBLE SLURRY PUMP



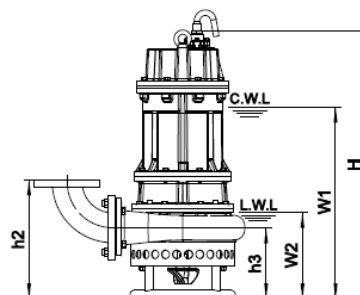
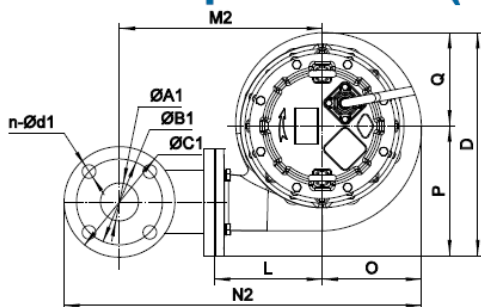
Model	Outlet		Motor Power		Rated current (460)	Rate capacity		Rated head	Rated head	max capacity		max head	Impeller passage
	mm	inch	kW	HP		m ³ /h	GPM			m	ft		
EQNS343	80	3	2.2	3	6.0	50	220	10	32.8	75	330	13	20
EQNS345	80	3	3.7	5	10.3	60	264	12	39.4	85	374	16	20
EQNS447.5	100	4	5.5	7.5	14.2	65	286	13	42.6	140	616	16	30
EQNS4410	100	4	7.5	10	19.0	100	440	14	45.9	160	704	19	30
EQNS4415	100	4	11	15	26.6	100	440	20	65.6	190	836	24	30
EQNS6415	150	6	11	15	26.6	100	440	20	65.6	220	968	24	30
EQNS4420	100	4	15	20	36.4	100	440	25	82.0	220	968	30	30
EQNS6420	150	6	15	20	36.4	100	440	25	82.0	255	1122	30	30
EQNS6425	150	6	19	25	46.0	150	660	24	78.7	330	1452	30	30
EQNS8425	200	8	19	25	46.0	150	660	24	78.7	330	1452	30	30
EQNS6430	150	6	22	30	54.5	150	660	28	91.8	330	1452	35	30
EQNS8430	200	8	22	30	54.5	150	660	28	91.8	350	1540	35	30
EQNS6440	150	6	30	40	70.0	150	660	30	98.4	360	1584	36	30
EQNS6450	150	6	37	50	84.5	150	660	36	118.1	366	1610.4	43	30
EQNS6460	150	6	45	60	102.2	200	880	36	118.1	402	1768.8	45	30
EQNS8475	200	8	55	75	127.0	300	1320	36	118.1	580	2552	48	40
EQNS84100	200	8	75	100	170.6	300	1320	46	150.9	600	2640	57	40



Movable Soft Pipe Installation (R)



Movable Hard Pipe Installation(Y)



C.W.L : continuous running water level
L.W.L : lowest running water level

Dimensions table

Model	Ød	ØA1	ØA1	ØC1	n-Ød1	h1	h2	h3	W1	W2	H	O	P	Q	L	D	M1	M2	N1	N2
EQNS3403	80	80	150	190	4-Ø18	331	325	185	474	235	625	168	223	158	210	381	302	352	507	614
EQNS3405	80	80	150	190	4-Ø18	331	325	185	539	235	690	168	223	158	210	381	302	352	507	614
EQNS447.5	100	100	170	210	4-Ø18	426	406	256	616	309	854	206	265	188	230	453	333	382	588	683
EQNS4410	100	100	170	210	4-Ø18	425	406	256	691	309	898	206	265	188	230	483	333	382	589	693
EQNS4415	100	100	170	210	4-Ø18	425	455	256	691	308	958	221	275	208	240	483	343	383	613	719
EQNS6415	150	150	225	265	8-Ø18	480	455	256	691	308	958	221	303	208	240	511	383	443	689	787
EQNS4420	100	100	170	210	4-Ø18	425	405	255	736	308	1008	221	275	208	240	483	343	393	613	719
EQNS6420	150	150	225	265	8-Ø18	480	455	256	736	308	1103	221	303	208	240	511	333	443	689	787
EQNS6425	150	150	225	265	8-Ø18	521	486	296	808	360	1103	264	326	247	280	573	433	483	772	880
EQNS8425	200	200	295	340	8-Ø22	606	526	296	808	360	1103	264	363	247	280	610	483	513	848	948
EQNS6430	150	150	225	265	8-Ø18	521	466	296	828	360	1123	264	326	247	280	573	433	433	772	980
EQNS8430	200	200	295	340	8-Ø22	606	526	296	828	360	1123	264	363	247	280	610	483	513	848	948
EQNS6440	150	150	240	285	8-Ø22	546	521	320	900	350	1249	292	338	279	330	617	482	532	848	966
EQNS6450	150	150	240	285	8-Ø22	546	521	320	890	350	1300	292	338	279	330	617	482	532	848	966
EQNS6460	150	150	240	285	8-Ø22	546	521	320	930	350	1294	292	395	279	330	617	482	532	848	966
EQNS8475	200	200	295	340	8-Ø22	673	592	592	1150	450	1576	335	395	319	410	714	614	644	1049	1149
EQNS84100	200	200	295	340	8-Ø22	673	592	592	1150	450	1576	395	395	319	410	714	614	644	1049	1149

Weights & Packing dimensions

Model	R			Y		
	N.W	G.W	Packing dimension	N.W	G.W	Packing dimension
	kg	kg	mm	kg	kg	mm
EQNS3403	79	87	725x375x495	83	91	755x375x495
EQNS3405	89	99	785x375x495	93	101	815x375x495
EQNS447.5	141	153	985x455x605	147	159	995x455x605
EQNS4410	155	168	1015x455x605	162	174	1015x455x605
EQNS4415	236	266	700x480x1195	242	232	700x480x1195
EQNS6415	245	265	700x480x1195	253	273	700x480x1195
EQNS4420	260	260	700x480x1195	286	286	700x480x1195
EQNS6420	269	269	700x480x1195	277	297	700x480x1195

Model	R			Y		
	N.W	G.W	Packing dimension	N.W	G.W	Packing dimension
	kg	kg	mm	kg	kg	mm
EQNS6425	342	372	780x600x1330	350	380	780x600x1330
EQNS6425	361	391	780x600x1330	369	399	780x600x1330
EQNS6430	356	385	780x600x1330	363	393	780x600x1330
EQNS8430	374	404	780x600x1330	382	412	780x600x1330
EQNS6440	478	500	780x600x1470	486	508	780x600x1290
EQNS6450	536	568	780x600x1520	544	566	780x600x1340
EQNS6460	570	592	780x600x1520	578	600	780x600x1340
EQNS8475	812	860	950x770x1950	820	888	950x790x1950
EQNS84100	880	928	950x770x1950	888	936	950x790x1950