

VOLUME CONTROL DAMPERS



METAL TECH INDUSTRIES W.L.L

Post Box 10995, Kingdom of Bahrain

Tel: +973 39646453 , +973 39998423

Email: metaltehbahrain@gmail.com

MTI

Quality solution for sheet metal works



ISO 9001:2008 CERT NO.: 719528



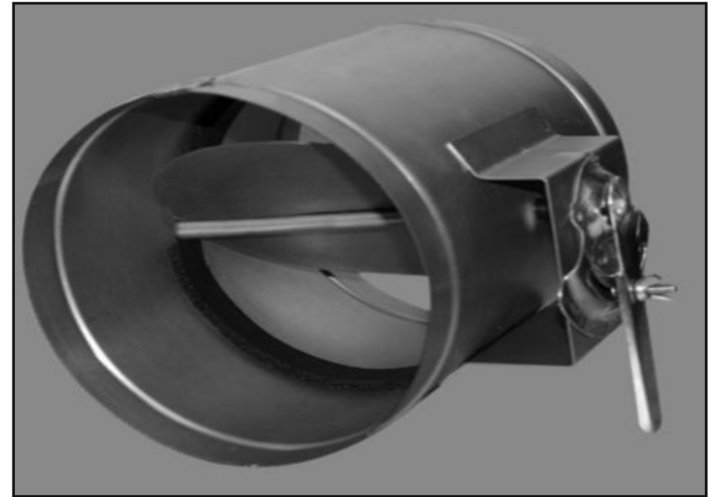
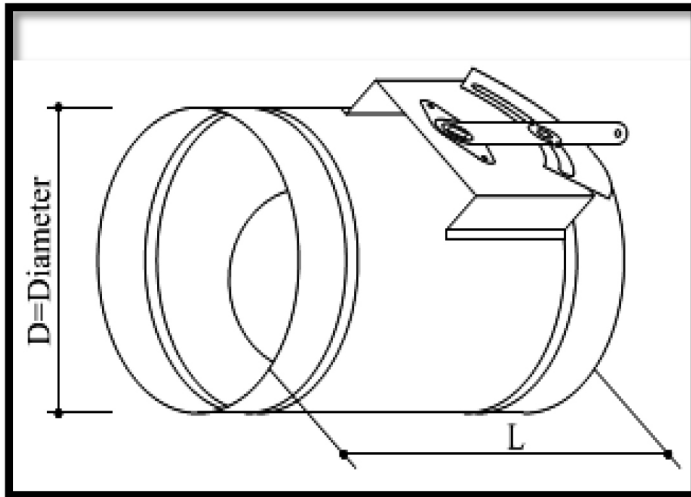
METAL TECH INDUSTRIES W.L.L



ISO 9001:2008 CERT NO.: 719528

Quality solution for sheet metal works

VOLUME CONTROL DAMPER- CIRCULAR. MODEL-MTI-VCD-R



Description.

- Damper Body is constructed from galvanized steel sheet.
- Joints are welded in construction and protected with Zinc rich aluminium paint.
- As per the requirements damper blades can be adjusted and locked to open/close/intermediate position by rotating the hand locking GI Quadrant coupled with bearing shaft on which the blade is mounted.
- Hand locking quadrant frame is provided with a mentoring scale to understand exact position of the damper blade.
- Recommended for all type of Low and Medium pressure HVAC system.

Construction Details.

- Body: 1mm thick Galvanized sheet.
- Bearing shaft: 10 mm Galvanized rod.
- Bush: High quality nylon/ bras bush.
- Quadrant: Galvanized sheet metal quadrant with hand locking mechanism and blade position indicator.

The dampers are also available in Stainless steel construction on request.



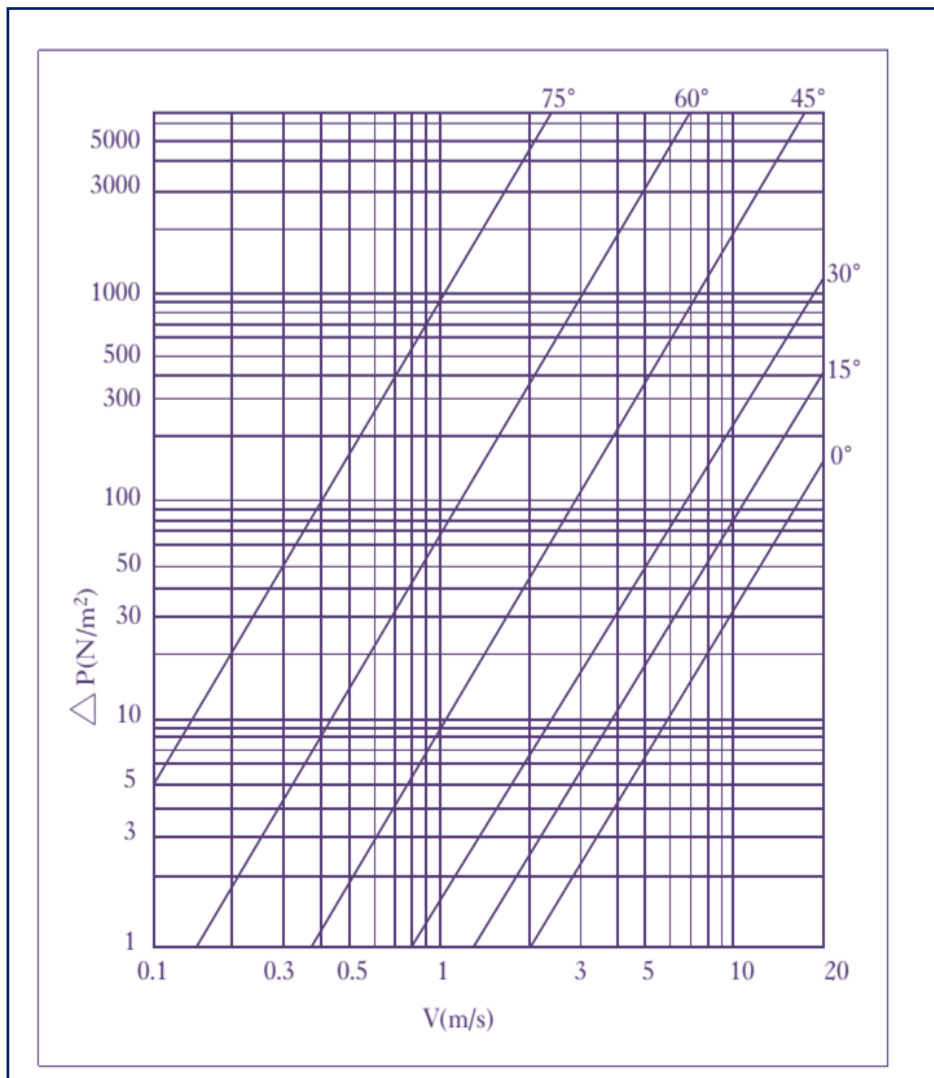
Quality solution for sheet metal works

Standard Sizes in Diameter.

100mm	150mm	200mm	250mm	300mm	350mm
400mm	450mm				

Non-standard sizes are also available on special request.

Inline operation performance characteristics diagram for Model-MTI-VCD-R.



ΔP : Pressure drop in Newton/Meter²

V : Air flow rate (Velocity) Meter/second

Quality solution for sheet metal works

VOLUME CONTROL DAMPER- RECTANGULAR. MODEL-MTI-VCD-SR.



Description.

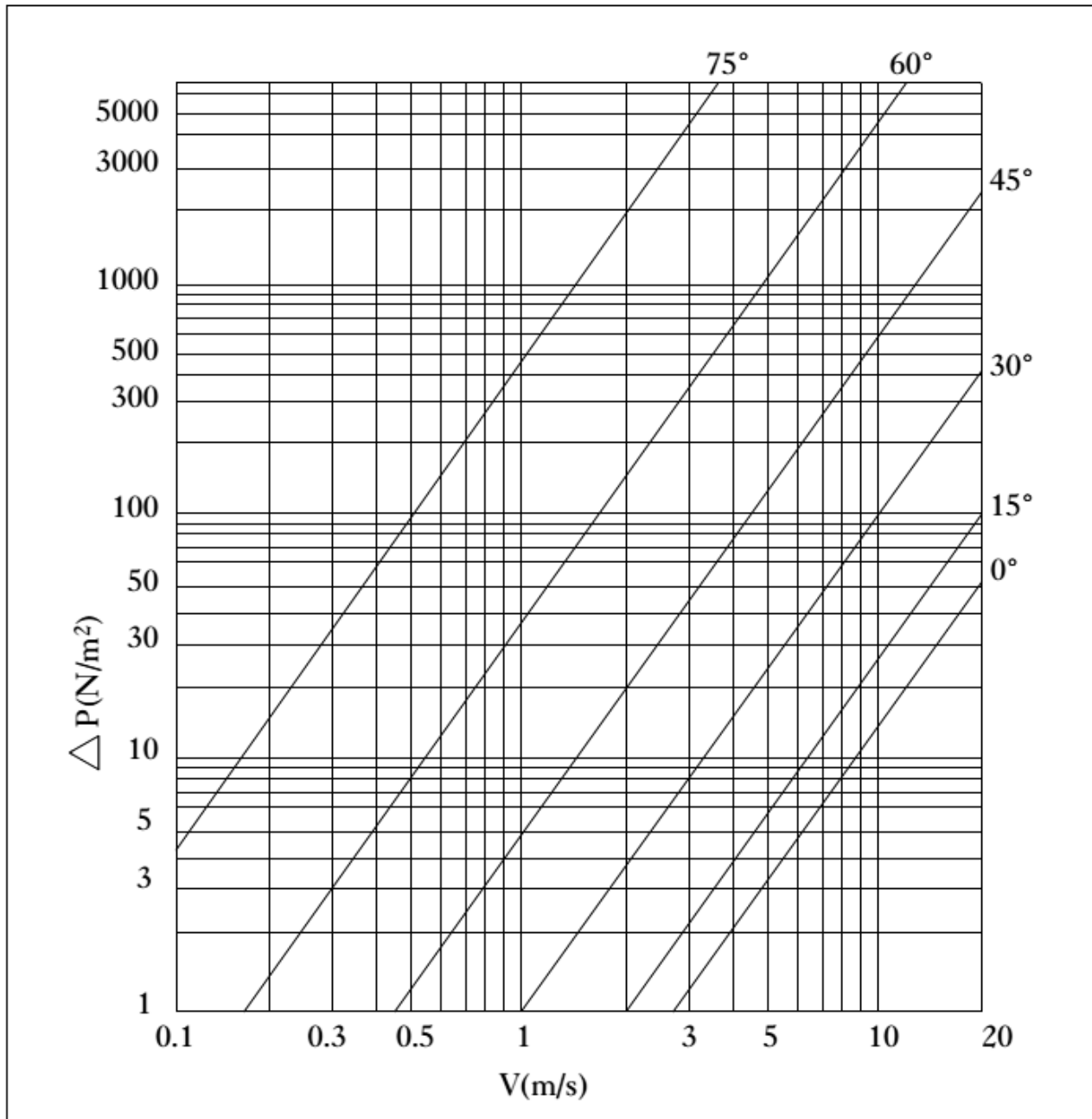
- Damper Body is constructed from galvanized steel sheet.
- Joints are welded in construction and protected with Zinc rich aluminium paint.
- As per the requirements damper blades can be adjusted and locked to open/close/intermediate position by rotating the Hand locking GI quadrant with locking pin. Quadrant frames have mentoring scale to understand exact position of the damper blade.
- Multiple regulating aerofoil blades are coupled with high quality nylon gears to provide opposed blade open/ close operation.
- The product is recommended for all type of Low and Medium pressure HVAC system.

Construction Details.

- Body: 1mm thick Galvanized sheet.
- Blades: Extruded aluminium aerofoil blades.
- Gears and Spindle: High quality nylon.
- Quadrant: Galvanized sheet metal quadrant with hand locking mechanism and blade position indicator.



Inline operation performance characteristics diagram for *Model-MTI-VCD-SR*.



ΔP : Pressure drop in Newton/Meter²

V : Air flow rate (Velocity) Meter/second.

MTI

METAL TECH INDUSTRIES W.L.L



VOLUME CONTROL DAMPERS

METALTECH INDUSTRIES W.L.L
BUILDING NO 970, ROAD 5218 , BLOCK 952
P.O BOX 10995
ALBA, KINGDOM OF BAHRAIN



ISO 9001:2008 CERT NO.: 719528