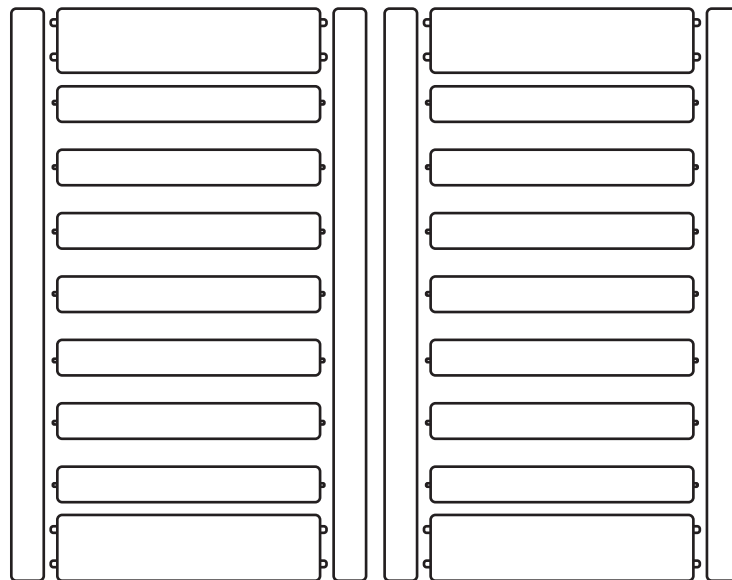


# CustomShutterGuru

## Builders Pack DIY Panel Assembly Instructions

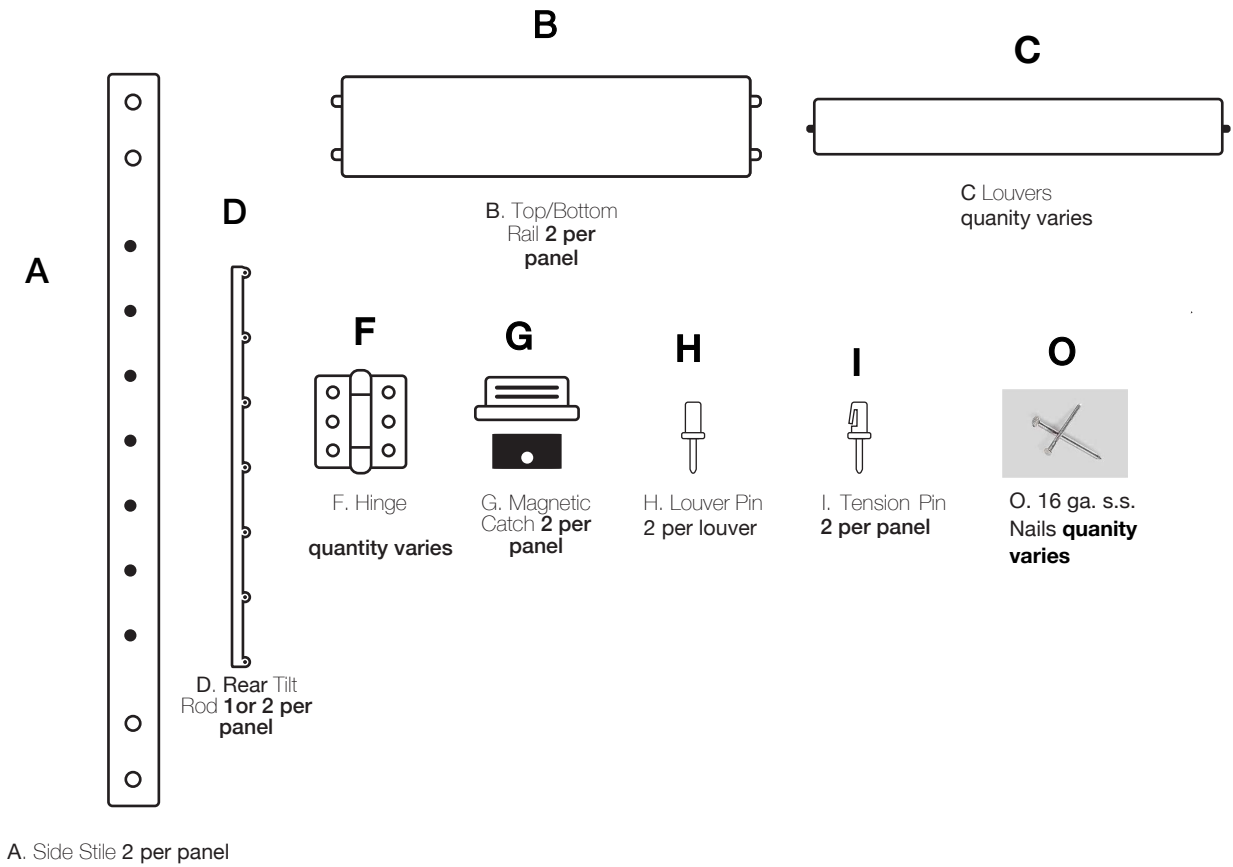


*After fabricating your Builders Pack using our "Shutter Wizard" and painting all components, you can assemble the panels using these tips.*

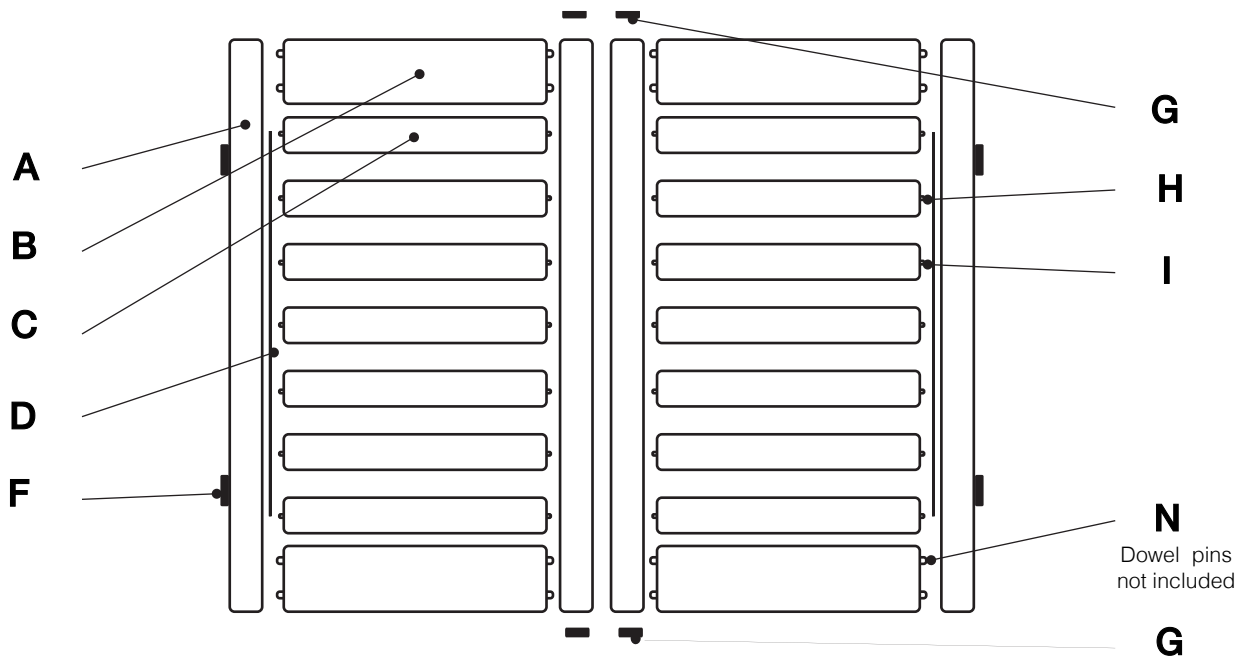
*Joinery shown is using dowel pins N, "not included". (we recommend 5/16" dowels)*

*Fabricator may use other comparable joinery methods.*

# Parts List



# Parts Location



# Step 1 - Start Panel

Side View

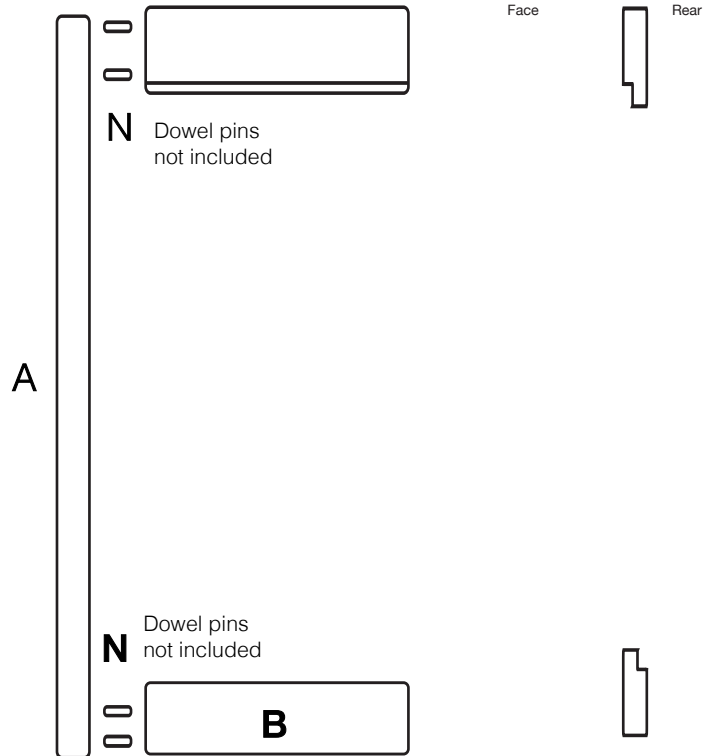
Attach left Side Stile A. to both Top & Bottom Rail B. using 2 wooden dowel N. " not included" in pre-drilled holes.

Apply glue to dowels and rail face as needed.

## IMPORTANT!

The Top & Bottom Rail B. has a rabbet edge. The top Rail will have the rabbet notch facing out. The bottom Rail will have the rabbet edge facing the rear.

Check and adjust for square using framing square and or measuring across panel.



# Step 2 - Align Louvers

Gently tap the small end of each louver pins H into the pre-drilled holes in each end of louvers C.

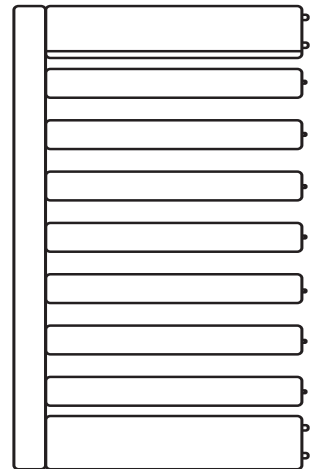
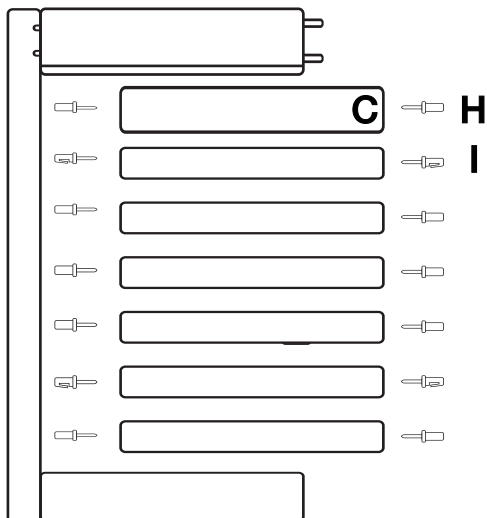
Use 2 tension pins ( I in each panel arrangement ).

Using a flat surface start inserting the louvers C into your panel assembly ensuring the 1st louver is overlapped by each following louver fitting into the rabbet ends of the top & bottom rail B.

## Important!

Place the rear hidden tilt rod on the hinge side with all the notches facing hinge side and on the bottom side of all louvers.

Check and adjust for square using framing square and or measuring across panel.



# Step 3 - Second Stile

From a flat surface start with the final Side Stile A apply wood glue to dowels and rail face.

**This step is the trickiest and takes patience.**

Bring the stile in as you start to close the gap inserting dowels then each louver pin one at a time as they start to touch.

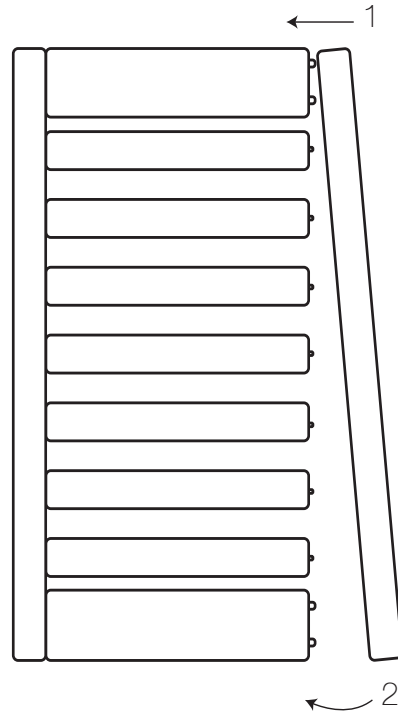
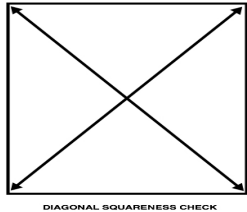
Make sure all louvers overlap the correct way end to end finishing in the rails rabbeted end.

Wipe any glue from shutter surface.

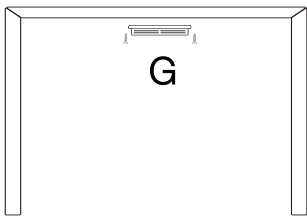
Check and adjust for square using framing square and or measuring across panel.

Use C clamps to hold panels together until glue sets.

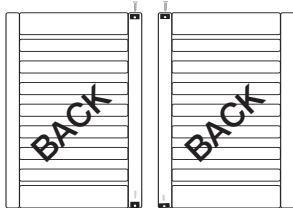
**CUSTOMSHUTTERSGURU**  
FRAME SQUARENESS CHECK



# Step 4 - Hinges and Catches



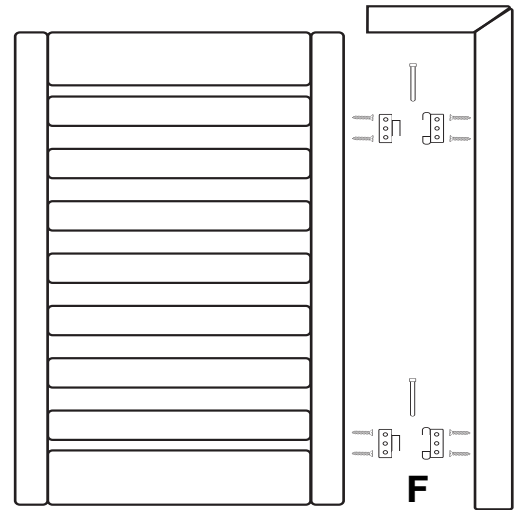
Position the magnetic Catch G. in the center (multiple panel), or to one side (single panel shutter), on the under side of the frame, flush with the front edge. Attach the included strike plate to the backside top & bottom corner of each panel.



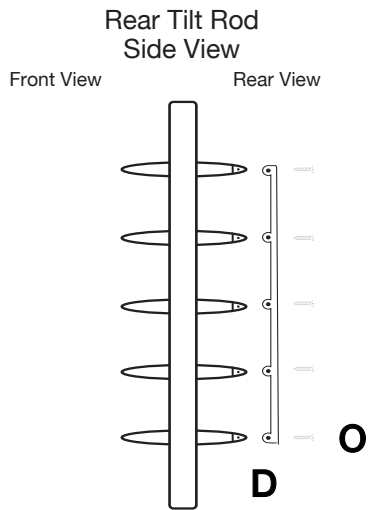
You can pull the pin from the Hinges F. and mount each side on the frame and panel separately 4 - 5 inches from the top and bottom of each panel.

## **IMPORTANT!**

Only attach the hinges with the outer two screw slots. These will allow you to make fine adjustments once you hang the panel. Then install the center screw to secure your panels final position.



# Step 5 - Rear Tilt Rod



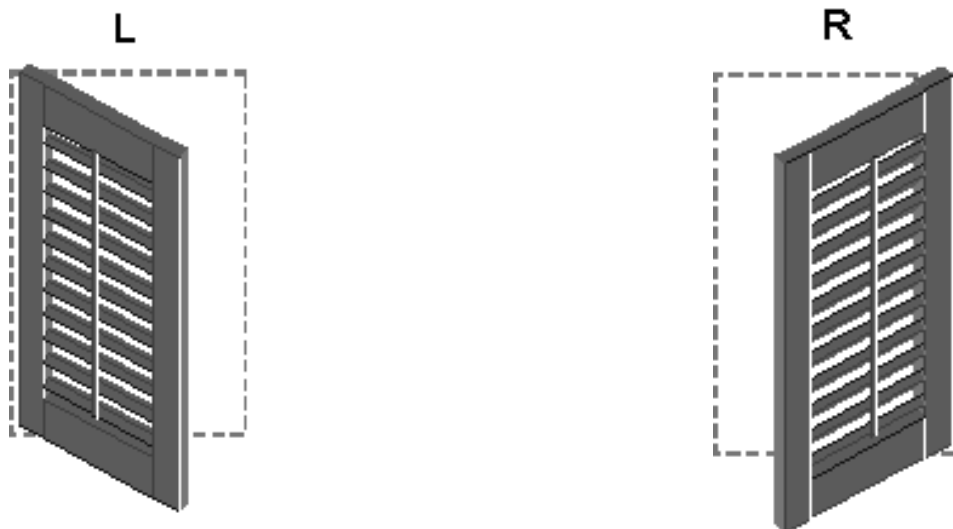
*Rear Tilt Rod*  
*Attach each hole of the*  
**D. Rear Tilt Rod** *to the*  
*end of each Louver*  
*using the **O. 16 ga.***  
*Serrated S.S. Nails*  
*heads must clear*  
*stile. Do not over*  
*tighten.*

---

# Step 6 - Panel Layouts

**FRONT VIEW**

**1 PANEL**

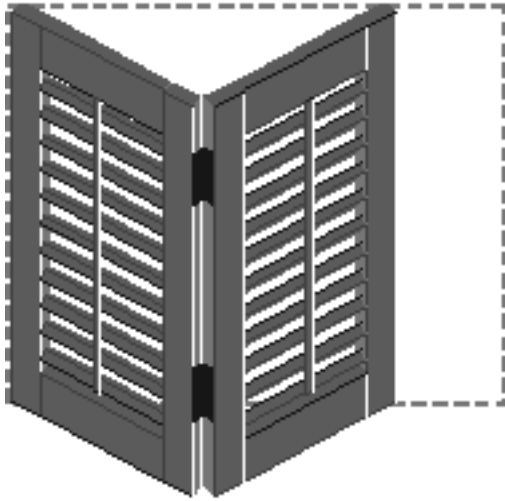


# Panel Layouts

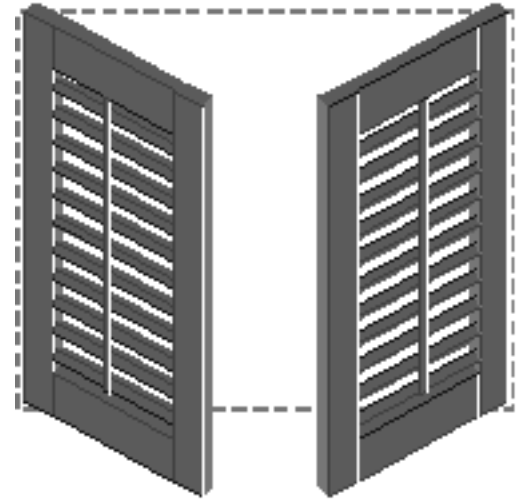
**FRONT VIEW**

**2 PANELS**

**L,L**



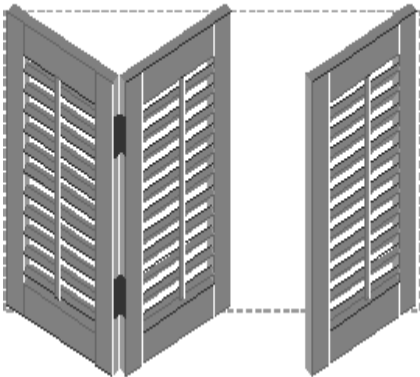
**L,R**



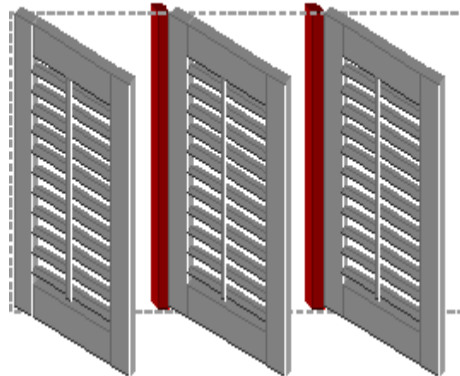
**FRONT VIEW**

**3 PANELS**

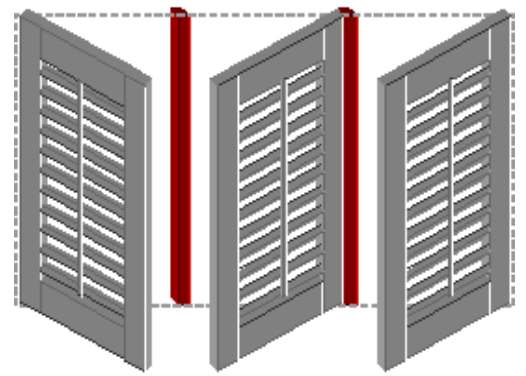
**L,L,R**



**L,T,L,T,L**



**L,T,R,T,R**

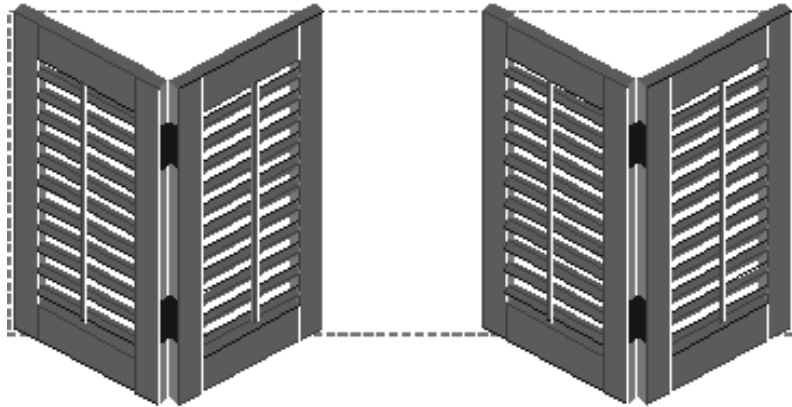


# Panel Layouts

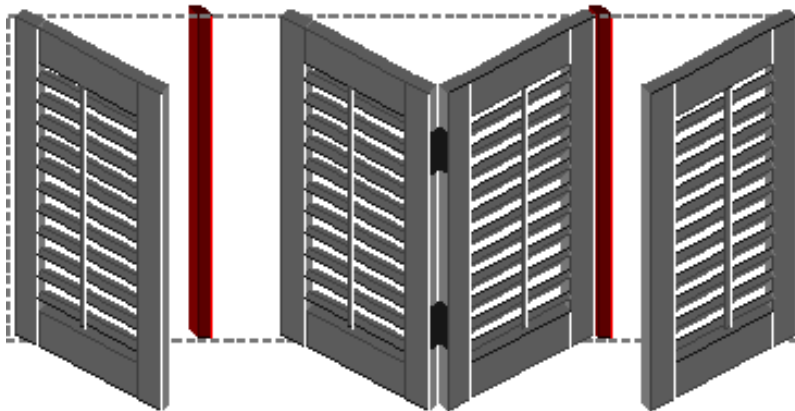
**FRONT VIEW**

**4 PANELS**

L,L,R,R



L,T,R,R,T,R



L,R,T,L,R

