



Indoor unit specifications

KW09HQ19CDI

| Air flow volume | | | dB (A) |
|-----------------|---------|----------|--------|
| Turbo | 353 CFM | 600 m3/h | 41 |
| High | 282 CFM | 480 m3/h | 37 |
| Med-high | 265 CFM | 450 m3/h | 34 |
| Medium | 230 CFM | 390 m3/h | 32 |
| Med-low | 212 CFM | 360 m3/h | 31 |
| Low | 194 CFM | 330 m3/h | 27 |
| Sleep | 159 CFM | 270 m3/h | 24 |

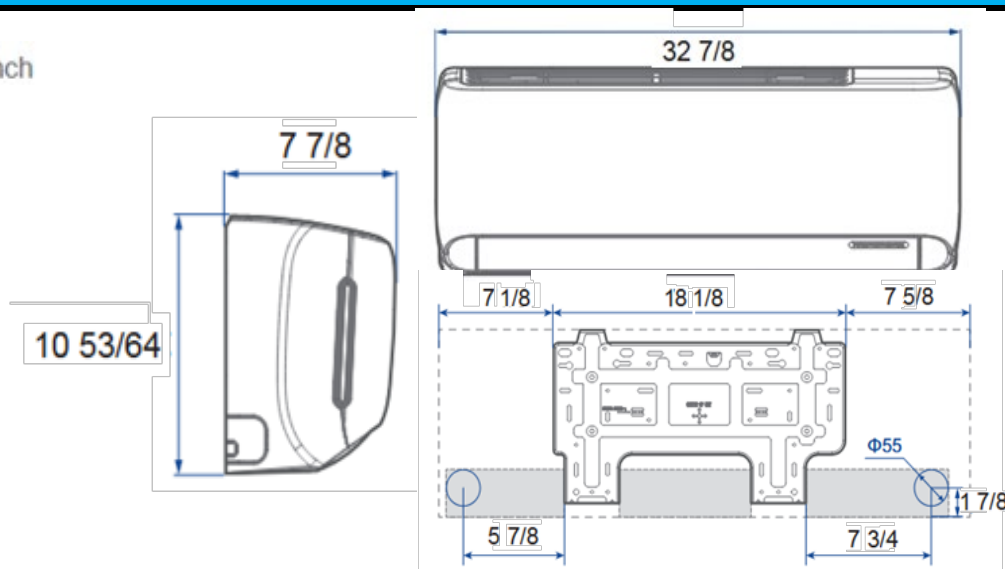
| | | | |
|---------------------------------|-------------------------|---------------|----------|
| Net weight: | 20.9 Lbs | Gross weight: | 24.3 Lbs |
| | 9 Kg | | 11.5 Kg |
| Included: | Infrared remote YBE1FBF | | |
| Dehumidification level: | 1.69 pt/hr | | |
| Optional Accessories | | | |
| 24V interlock wired controller: | XE71-00/E | | |
| Wired controller: | XE71-44G | | |
| Embedded wired controller: | XE74-44E | | |
| Embedded WIFI wired controller | XE72-44E | | |

Included Features

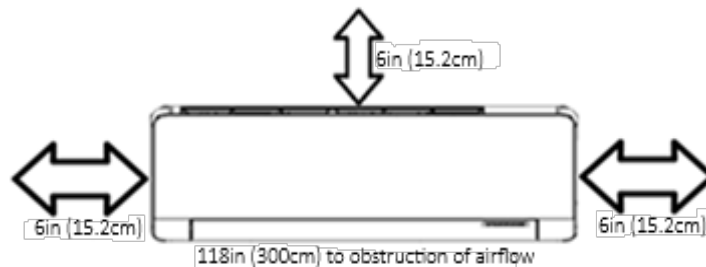
| | | | | | | |
|---------------|------------|--------|------------|----------------|------------|---------------------|
| WI-FI control | 8C heating | I-feel | Self clean | Forced defrost | Soft start | Low voltage startup |
|---------------|------------|--------|------------|----------------|------------|---------------------|

Indoor unit Dimensions

Unit: inch



Minimum indoor unit clearances



Specifications are subject to change without notice. Manufacturer reserves the right to discontinue or modify specifications or designs without notice or without incurring obligations. All Rights reserved.



Indoor unit specifications

KW12HQ19CDI

| Air flow volume | | | dB (A) |
|-----------------|---------|----------|--------|
| Turbo | 424 CFM | 700 m3/h | 47 |
| High | 353 CFM | 600 m3/h | 39 |
| Med-high | 324 CFM | 550 m3/h | 38 |
| Medium | 277 CFM | 470 m3/h | 35 |
| Med-low | 247 CFM | 420 m3/h | 33 |
| Low | 224 CFM | 380 m3/h | 32 |
| Sleep | 182 CFM | 310 m3/h | 27 |

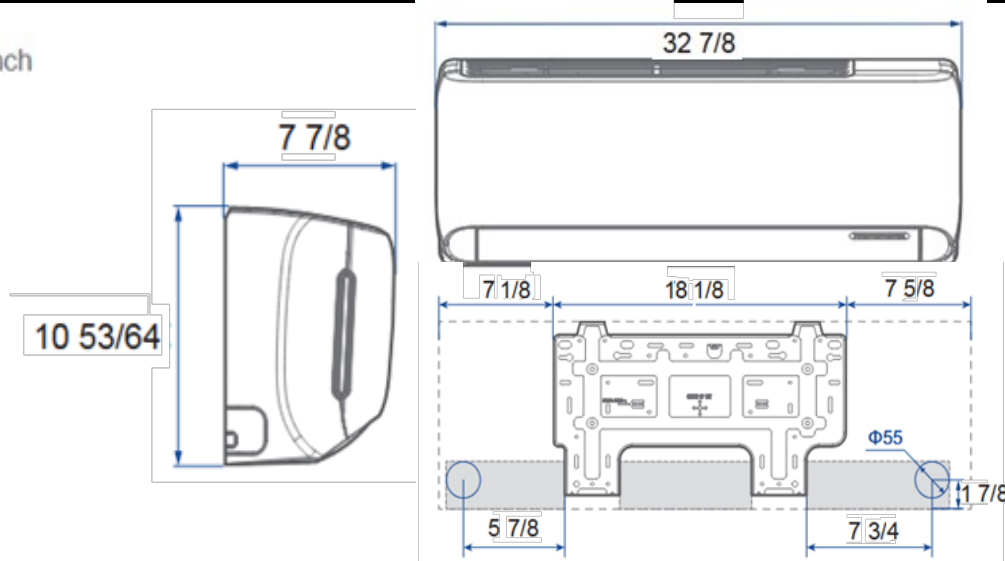
| | | | |
|---------------------------------|-------------------------|---------------|----------|
| Net weight: | 20.9 Lbs | Gross weight: | 24.3 Lbs |
| | 9 Kg | | 11.5 Kg |
| Included: | Infrared remote YBE1FBF | | |
| Dehumidification level: | 2.96pt/hr | | |
| Optional Accessories | | | |
| 24V interlock wired controller: | XE71-00/E | | |
| Wired controller: | XE71-44G | | |
| Embedded wired controller: | XE74-44E | | |
| Embedded WIFI wired controller | XE72-44E | | |

Included Features

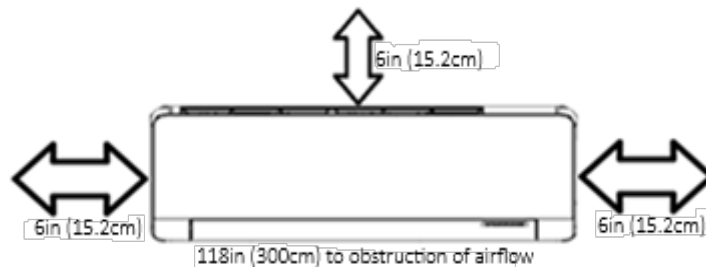
| | | | | | | |
|---------------|------------|--------|------------|----------------|------------|---------------------|
| WI-FI control | 8C heating | I-feel | Self clean | Forced defrost | Soft start | Low voltage startup |
|---------------|------------|--------|------------|----------------|------------|---------------------|

Indoor unit Dimensions

Unit: inch



Minimum indoor unit clearances



Specifications are subject to change without notice. Manufacturer reserves the right to discontinue or modify specifications or designs without notice or without incurring obligations. All Rights reserved.



Indoor unit specifications

KW18HQ19CDI

| Air flow volume | | | dB (A) |
|-----------------|---------|-----------|--------|
| Turbo | 618 CFM | 1050 m3/h | 53 |
| High | 512 CFM | 870 m3/h | 49 |
| Med-high | 471 CFM | 800 m3/h | 46 |
| Medium | 435 CFM | 740 m3/h | 44 |
| Med-low | 394 CFM | 670 m3/h | 42 |
| Low | 335 CFM | 570 m3/h | 38 |
| Sleep | 282 CFM | 480 m3/h | 34 |

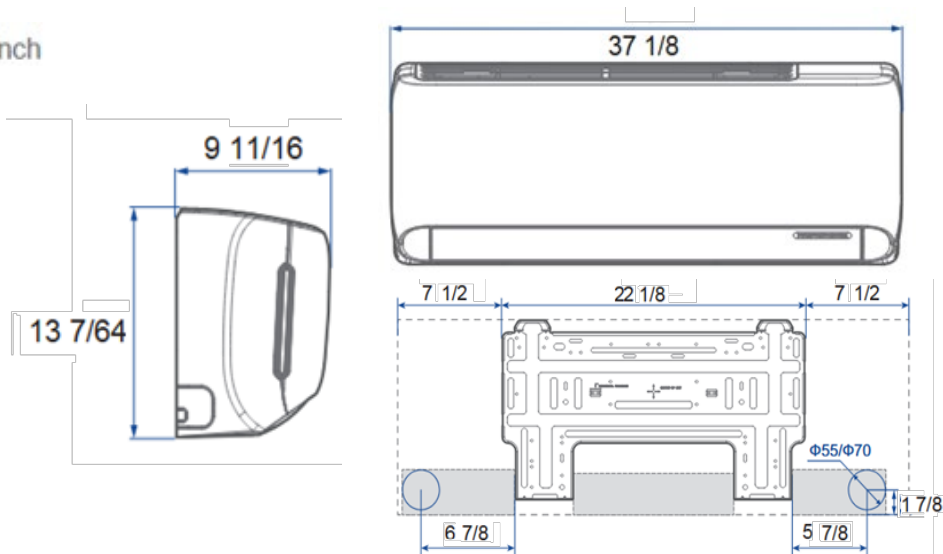
| | | | |
|---------------------------------|-------------------------|---------------|----------|
| Net weight: | 28.7 Lbs | Gross weight: | 34.2 Lbs |
| | 13 Kg | | 15.5 Kg |
| Included: | Infrared remote YBE1FBF | | |
| Dehumidification level: | 3.8 pt/hr | | |
| Optional Accessories | | | |
| 24V interlock wired controller: | XE71-00/E | | |
| Wired controller: | XE71-44G | | |
| Embedded wired controller: | XE74-44E | | |
| Embedded WIFI wired controller | XE72-44E | | |

Included Features

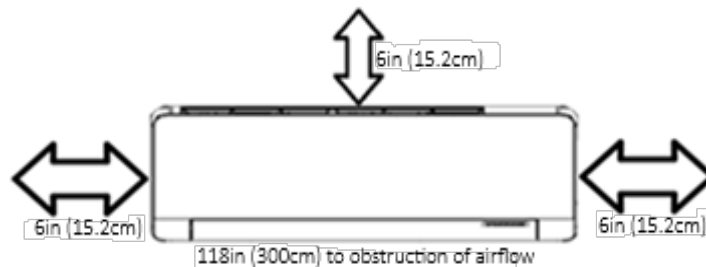
| | | | | | | |
|---------------|------------|--------|------------|----------------|------------|---------------------|
| WI-FI control | 8C heating | I-feel | Self clean | Forced defrost | Soft start | Low voltage startup |
|---------------|------------|--------|------------|----------------|------------|---------------------|

Indoor unit Dimensions

Unit: inch



Minimum indoor unit clearances



Specifications are subject to change without notice. Manufacturer reserves the right to discontinue or modify specifications or designs without notice or without incurring obligations. All Rights reserved.



Indoor unit specifications

KW24HQ19CDI

| Air flow volume | | | dB (A) |
|-----------------|---------|-----------|--------|
| Turbo | 677 CFM | 1150 m3/h | 51 |
| High | 589 CFM | 1000 m3/h | 47 |
| Med-high | 559 CFM | 950 m3/h | 44 |
| Medium | 500 CFM | 850 m3/h | 41 |
| Med-low | 471 CFM | 800 m3/h | 40 |
| Low | 441 CFM | 750 m3/h | 38 |
| Sleep | 412 CFM | 700 m3/h | 36 |

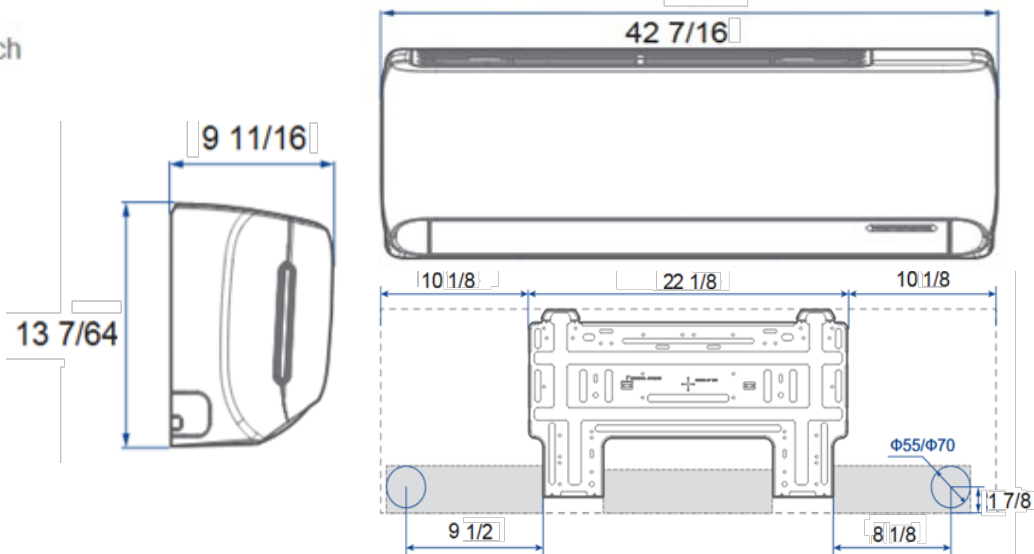
| | | | |
|---------------------------------|-------------------------|---------------|----------|
| Net weight: | 33.1 Lbs | Gross weight: | 39.7 Lbs |
| | 15 Kg | | 18 Kg |
| Included: | Infrared remote YBE1FBF | | |
| Dehumidification level: | 5.28 pt/hr | | |
| Optional Accessories | | | |
| 24V interlock wired controller: | XE71-00/E | | |
| Wired controller: | XE71-44G | | |
| Embedded wired controller: | XE74-44E | | |
| Embedded WIFI wired controller | XE72-44E | | |

Included Features

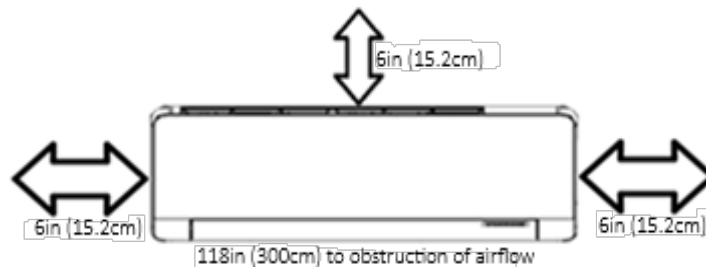
| | | | | | | |
|---------------|------------|--------|------------|----------------|------------|---------------------|
| WI-FI control | 8C heating | I-feel | Self clean | Forced defrost | Soft start | Low voltage startup |
|---------------|------------|--------|------------|----------------|------------|---------------------|

Indoor unit Dimensions

Unit: inch



Minimum indoor unit clearances



Specifications are subject to change without notice. Manufacturer reserves the right to discontinue or modify specifications or designs without notice or without incurring obligations. All Rights reserved.



Indoor unit specifications

KW30XQ21CDI

| Air flow volume | | | dB (A) |
|-----------------|---------|-----------|--------|
| Turbo | 794 CFM | 1350 m3/h | 52 |
| High | 647 CFM | 1100 m3/h | 45 |
| Med-high | 618 CFM | 1050 m3/h | 44 |
| Medium | 559 CFM | 950 m3/h | 41 |
| Med-low | 500 CFM | 850 m3/h | 39 |
| Low | 471 CFM | 800 m3/h | 38 |
| Sleep | 441 CFM | 750 m3/h | 36 |

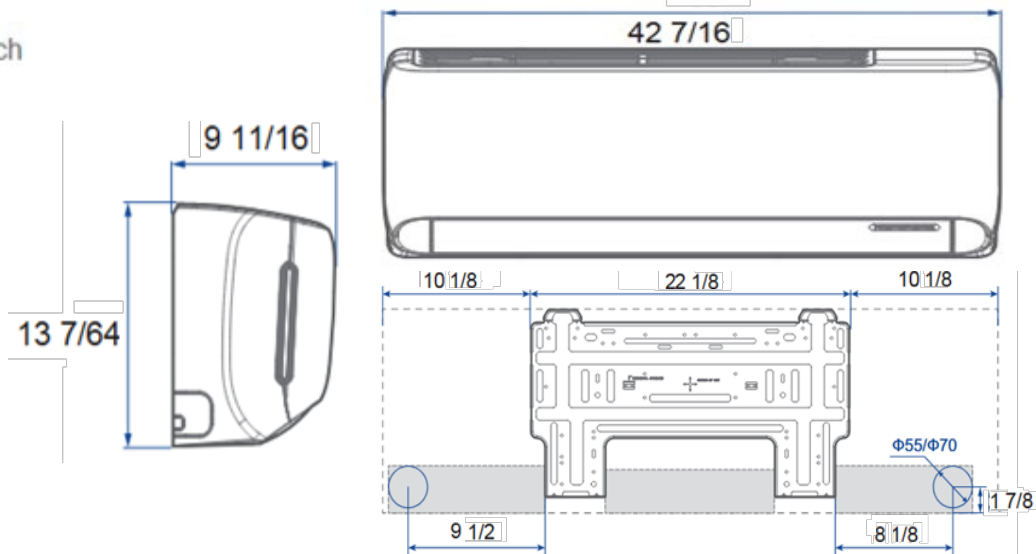
| | | | |
|---------------------------------|-------------------------|---------------|----------|
| Net weight: | 33.1 Lbs | Gross weight: | 39.7 Lbs |
| | 15 Kg | | 18 Kg |
| Included: | Infrared remote YBE1FBB | | |
| Dehumidification level: | 7.4 pt/hr | | |
| Optional Accessories | | | |
| 24V interlock wired controller: | XE71-00/E | | |
| Wired controller: | XE71-44G | | |
| Embedded wired controller: | XE74-44E | | |
| Embedded WIFI wired controller | XE72-44E | | |

Included Features

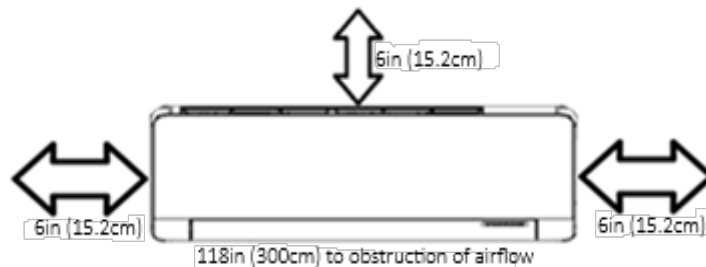
| | | | | | | |
|---------------|------------|--------|------------|----------------|------------|---------------------|
| WI-FI control | 8C heating | I-feel | Self clean | Forced defrost | Soft start | Low voltage startup |
|---------------|------------|--------|------------|----------------|------------|---------------------|

Indoor unit Dimensions

Unit: inch



Minimum indoor unit clearances



Specifications are subject to change without notice. Manufacturer reserves the right to discontinue or modify specifications or designs without notice or without incurring obligations. All Rights reserved.



Indoor unit specifications

KW36XQ21CDI

| Air flow volume | | | dB (A) |
|-----------------|---------|-----------|--------|
| Turbo | 794 CFM | 1350 m3/h | 52 |
| High | 647 CFM | 1100 m3/h | 45 |
| Med-high | 618 CFM | 1050 m3/h | 44 |
| Medium | 559 CFM | 950 m3/h | 41 |
| Med-low | 500 CFM | 850 m3/h | 39 |
| Low | 471 CFM | 800 m3/h | 38 |
| Sleep | 441 CFM | 750 m3/h | 36 |

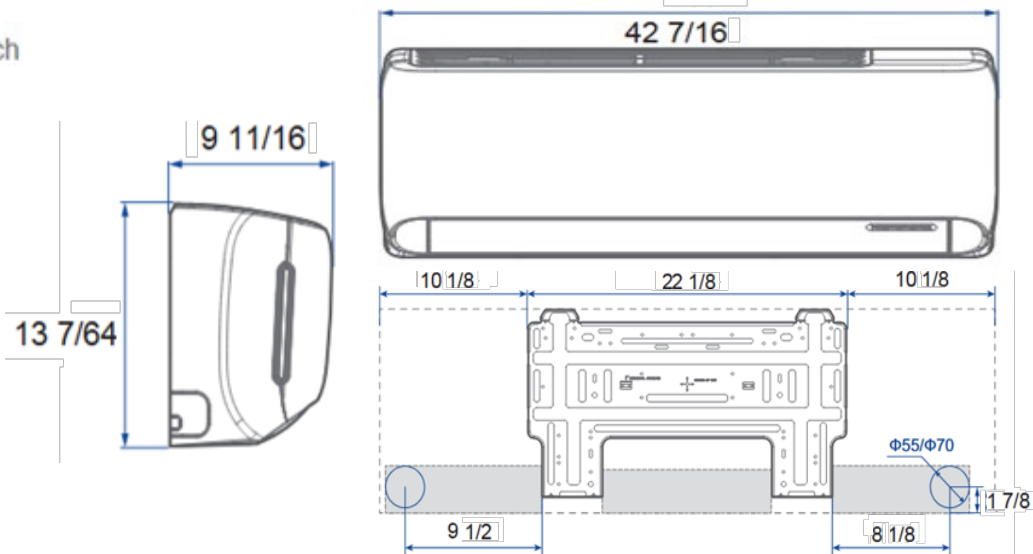
| | | | |
|---------------------------------|-------------------------|---------------|----------|
| Net weight: | 33.1 Lbs | Gross weight: | 39.7 Lbs |
| | 15 Kg | | 18 Kg |
| Included: | Infrared remote YBE1FBB | | |
| Dehumidification level: | 7.4 pt/hr | | |
| Optional Accessories | | | |
| 24V interlock wired controller: | XE71-00/E | | |
| Wired controller: | XE71-44G | | |
| Embedded wired controller: | XE74-44E | | |
| Embedded WIFI wired controller | XE72-44E | | |

Included Features

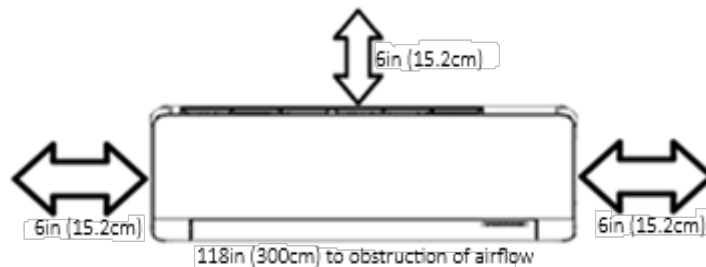
| | | | | | | |
|---------------|------------|--------|------------|----------------|------------|---------------------|
| WI-FI control | 8C heating | I-feel | Self clean | Forced defrost | Soft start | Low voltage startup |
|---------------|------------|--------|------------|----------------|------------|---------------------|

Indoor unit Dimensions

Unit: inch



Minimum indoor unit clearances



Specifications are subject to change without notice. Manufacturer reserves the right to discontinue or modify specifications or designs without notice or without incurring obligations. All Rights reserved.