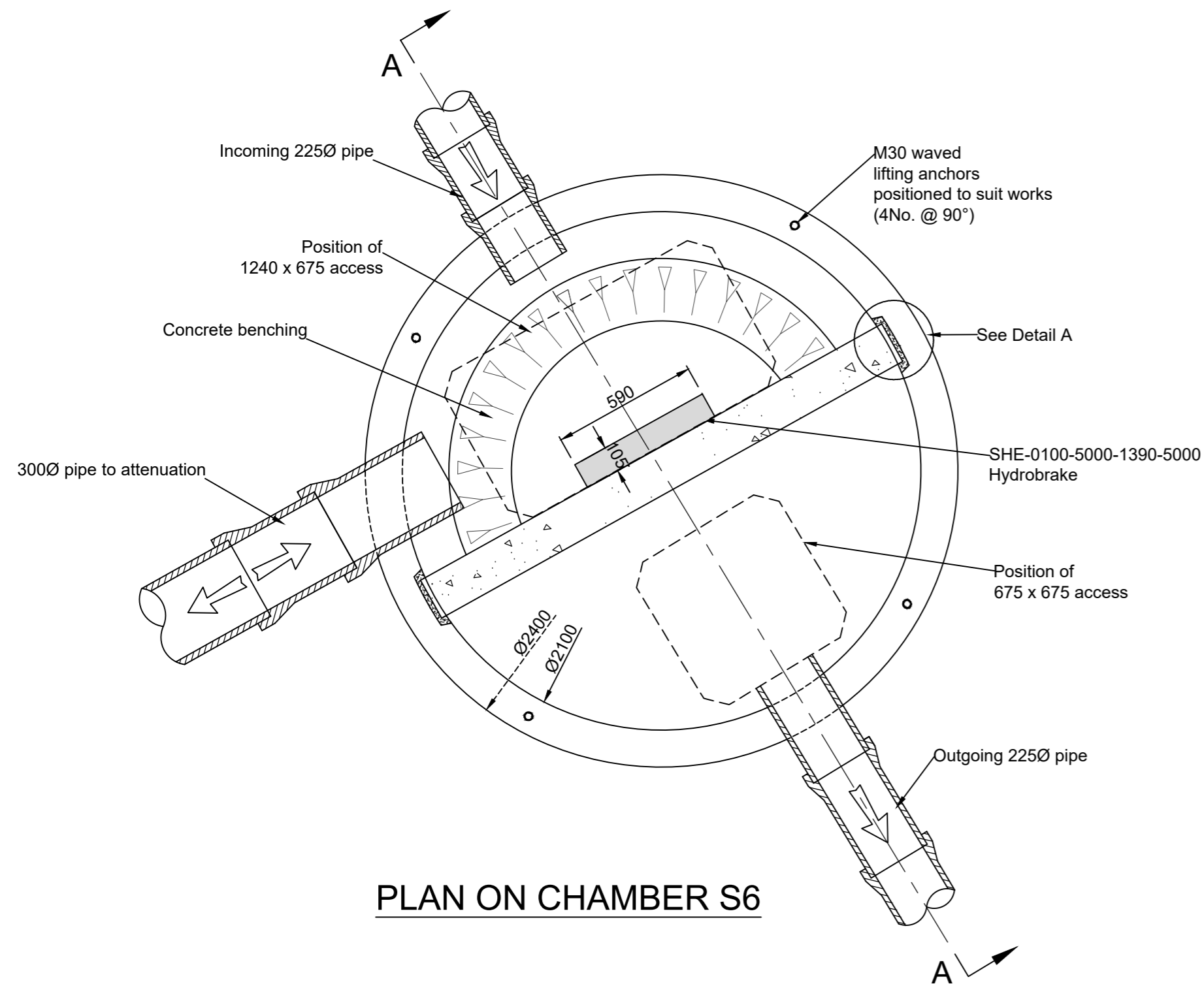
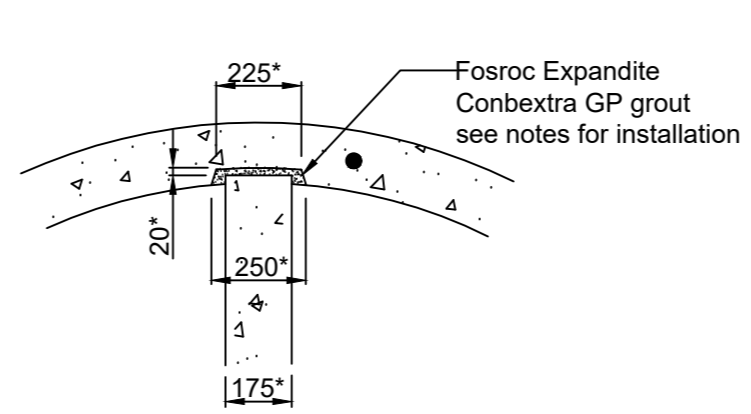


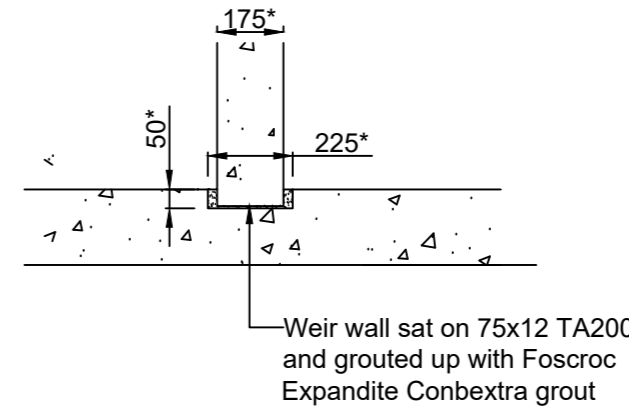
**NOT FOR CONSTRUCTION**  
 The details provided on this drawing are for information only and are subject to detailed design.  
 All details and dimensions are subject to detailed design by CPM Group.



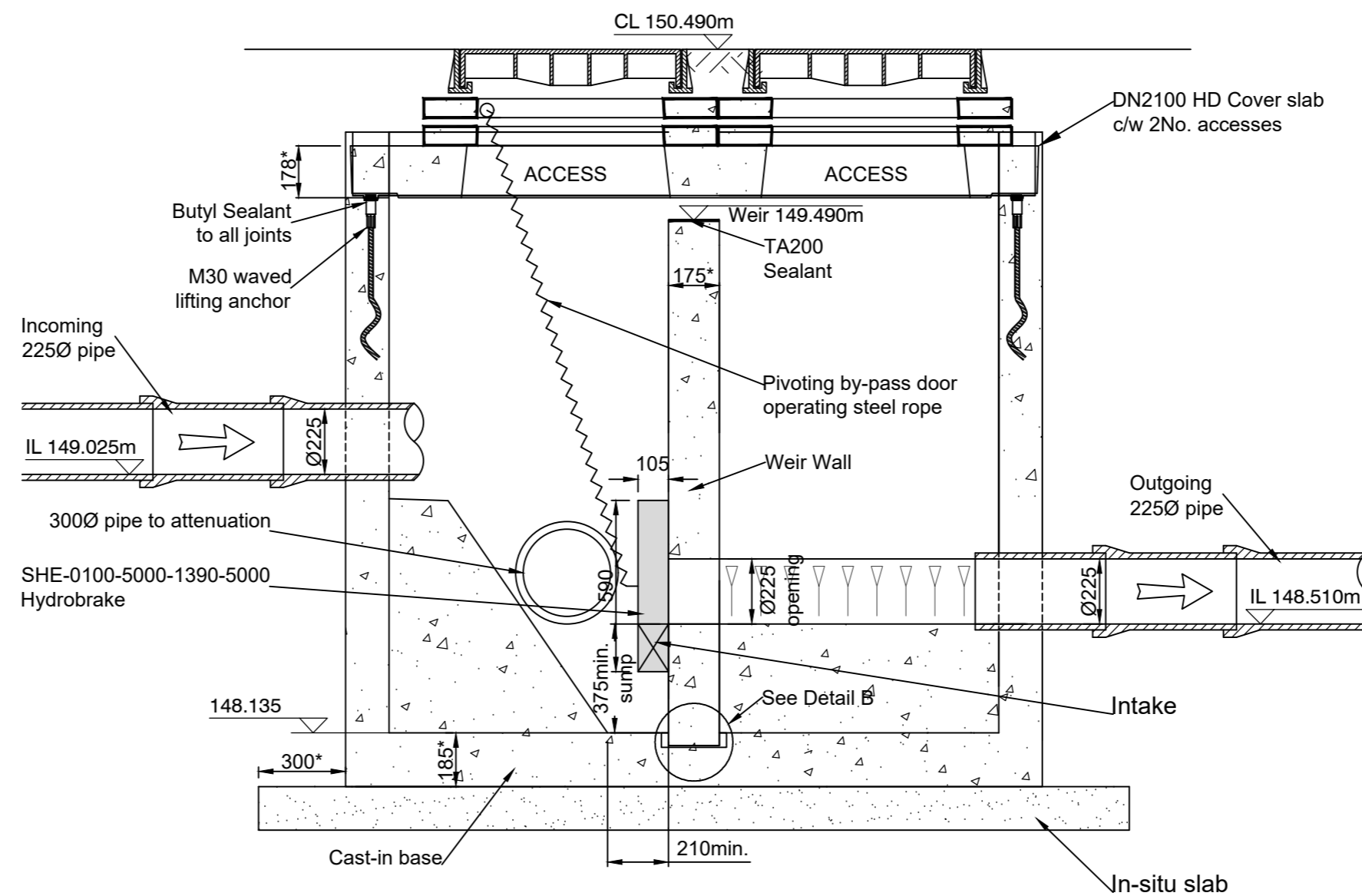
**PLAN ON CHAMBER S6**



**DETAIL A**



**DETAIL B**



**SECTION A-A**

**PLANNING**  
 NOT FOR CONSTRUCTION

1	20.11.2018	GENERAL ARRANGEMENTS - SITE NAME ALTERED	KMG
Rev	Date	Description	By

Dimensions to be verified on site.  
 This drawing should not be scaled. Use figured dimensions only.  
 Any discrepancies should be referred to the Engineer prior to work being put in hand.  
 This drawing is copyright.

QuadConsult Limited  
 Columbus House, Village Way  
 Greenmeadow Business Park  
 Cardiff  
 CF15 7NE  
 029 2077 9644  
 contactus@quadconsult.co.uk  
 www.quadconsult.co.uk



Project **Woodlands Green, Coedely**

Title **HYDROBRAKE DETAILS CHAMBER S6**

Drawing Status **PLANNING**

Designed by	Drawn by	Checked by	Date	Scales @ A1 size
KMG	KMG	ACV	Sept '18	NTS
Project No		Drawing No		Revision
18152		C-112-1		1

File name: 18152\_C-112-1\_Hydrobrake\_Details.rvt