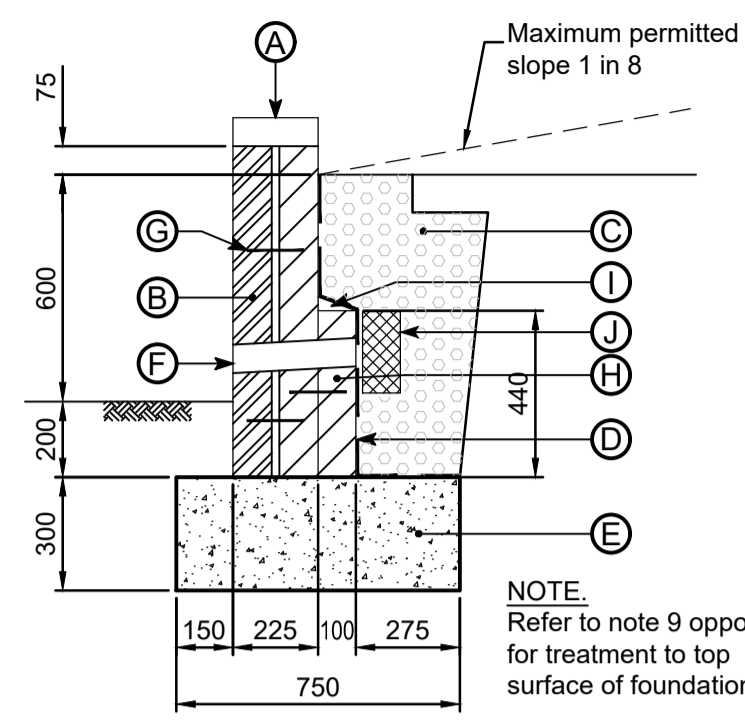
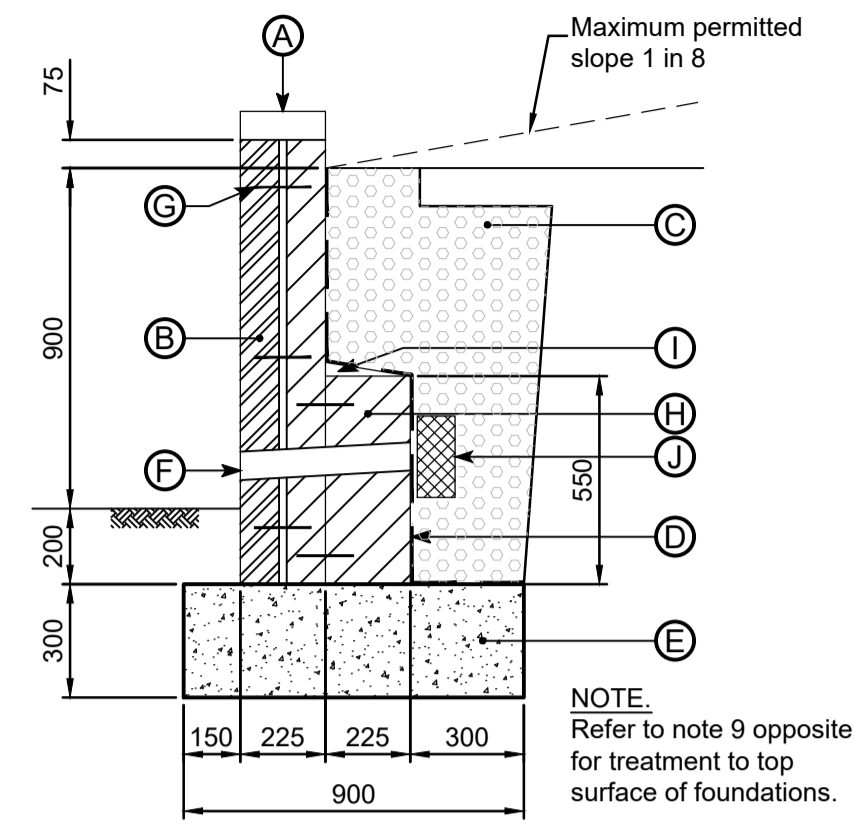


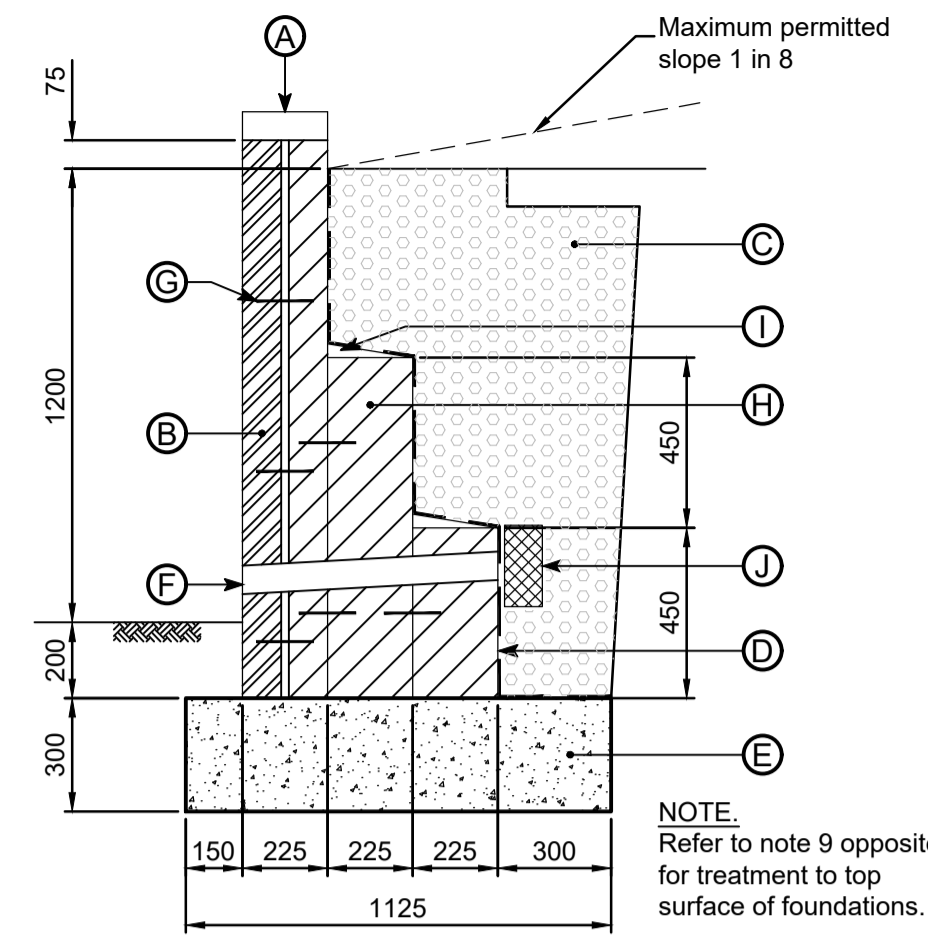
RETAINING WALL - TYPE 'A'
Max. retained height 0.45m.
SCALE 1:20



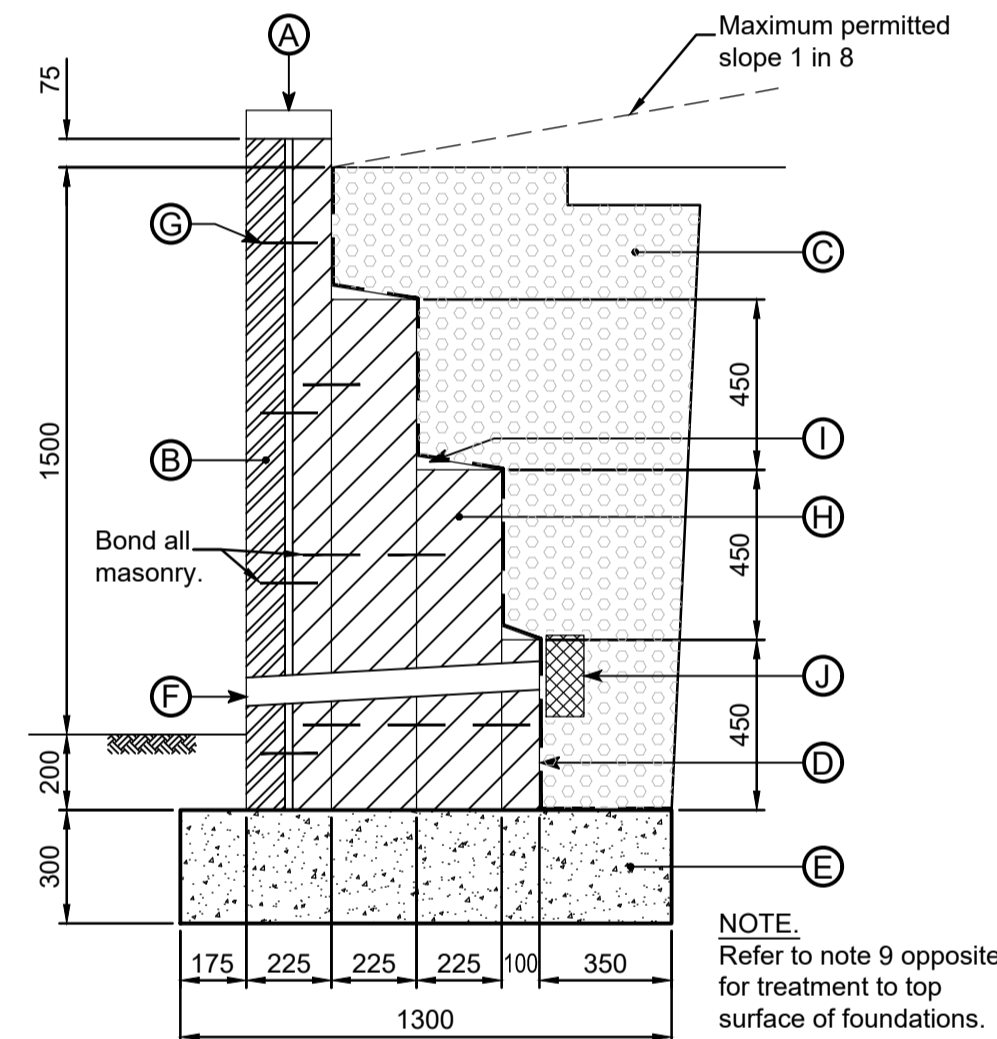
RETAINING WALL - TYPE 'B'
Max. retained height 0.60m.
SCALE 1:20



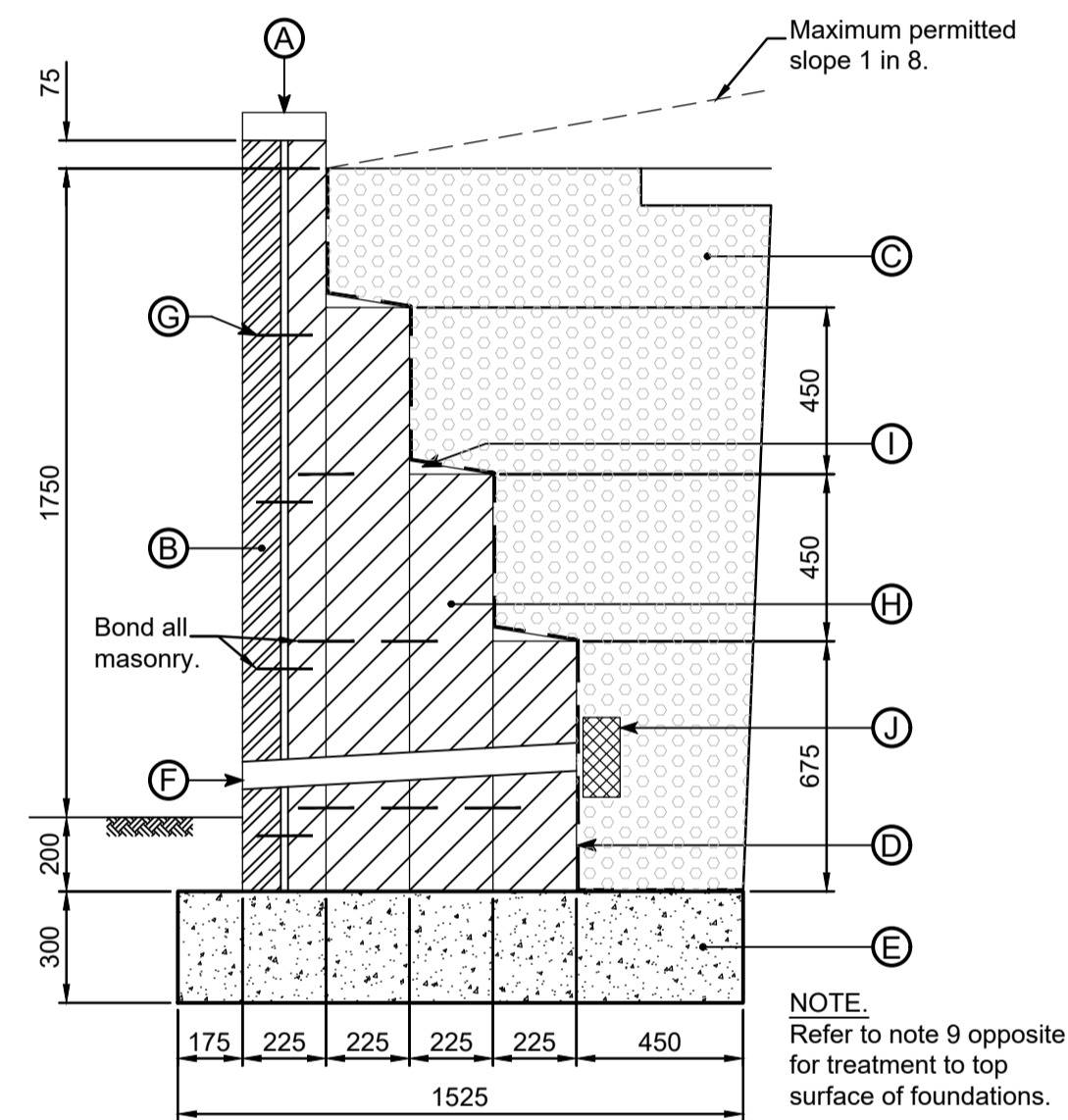
RETAINING WALL - TYPE 'C'
Max. retained height 0.90m.
SCALE 1:20



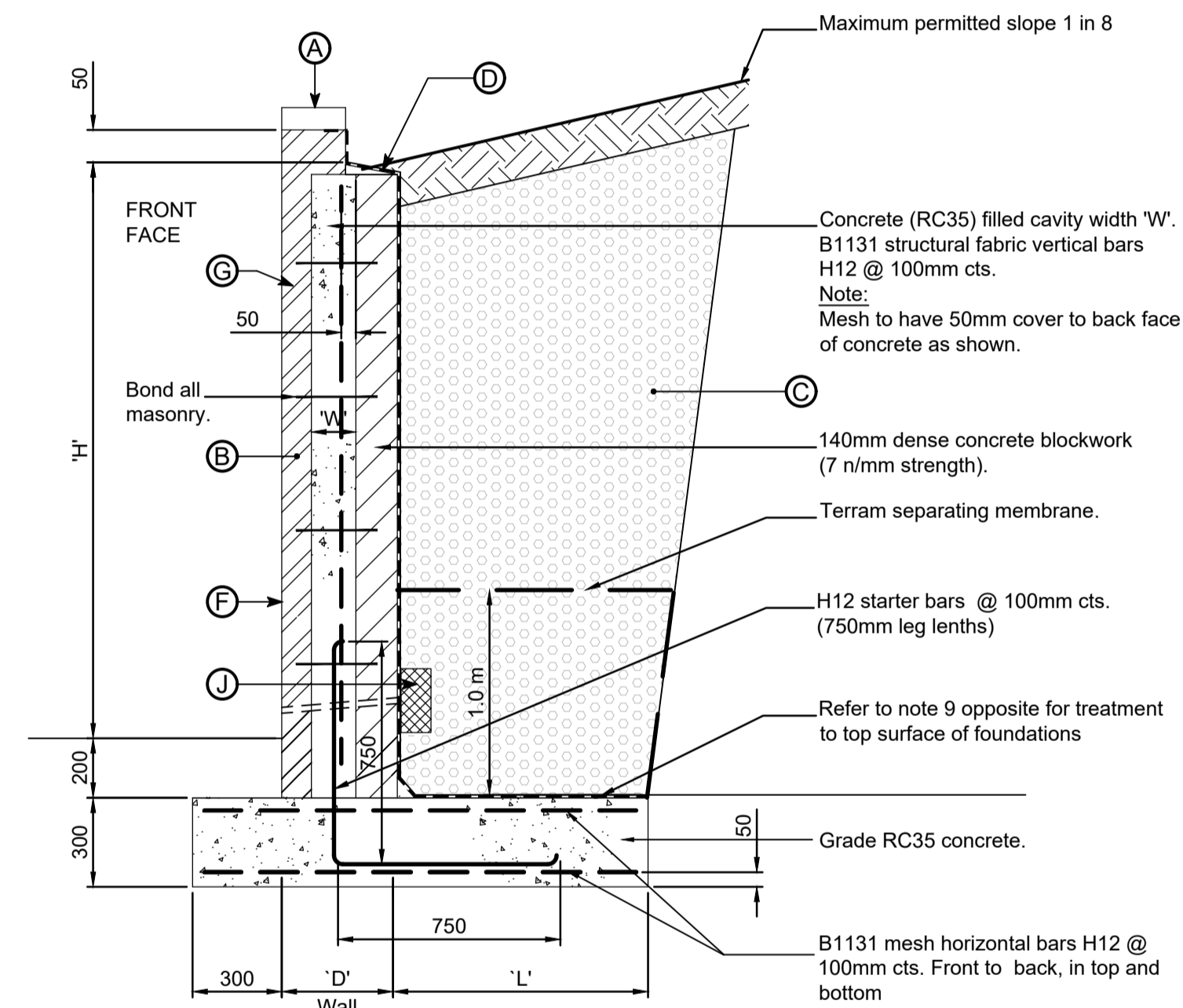
RETAINING WALL - TYPE 'D'
Max. retained height 1.20m.
SCALE 1:20



RETAINING WALL - TYPE 'E'
Max. retained height 1.50m.
SCALE 1:20



RETAINING WALL - TYPE 'F'
Max. retained height 1.75m.
SCALE 1:20

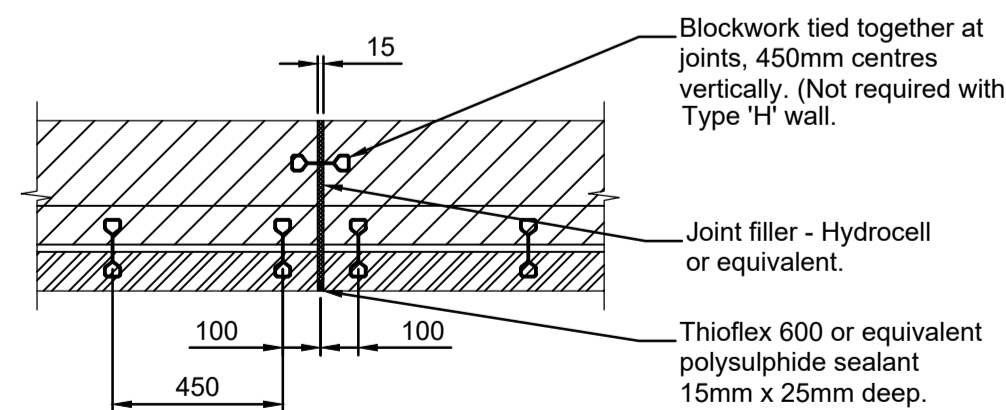


TYPE 'G' RETAINING WALL :-
REFER TO TABLE 'A'.
SCALE 1:20

TABLE A.

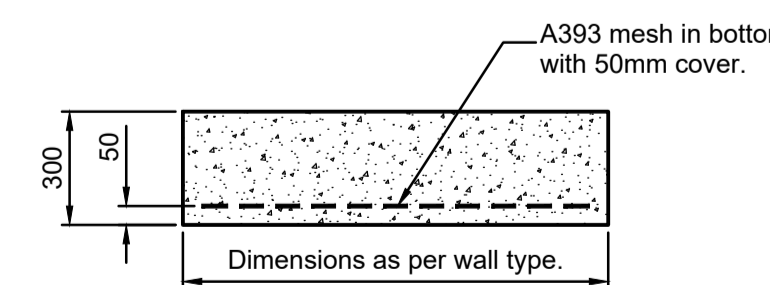
Maximum retained height 'H' (mm)	Foundation leg length 'L' (mm)	Concrete cavity width 'W' (mm)	Overall wall thickness 'D' (mm)
2000	1000	160	400
2300	1300	210 *	450

* - For walls over 2000mm in height add extra horizontal bar reinforcement of 18 @ 100c/c vertically to all mesh



MOVEMENT JOINT DETAIL :-
RETAINING WALL ON PLAN.
SCALE 1:20

N.B. - Maximum joint spacing 6.0m.



RETAINING WALL FOUNDATION
IN PREPARED GROUND (RAISED LEVELS)
SCALE 1:20

N.B. - Refer to note 6 in the notes column.

Key.

- (A) Brick on edge or precast concrete coping.
- (B) Facing brickwork with solid collar joint: Minimum brick strength 20 N/mm².
- (C) Single sized clean stone (nominal 40mm).
- (D) 1200 gauge Visqueen with 300mm laps. Cut visqueen around weep holes.
- (E) Grade ST2 concrete foundation. (or RC35 when reinforced)
- (F) 75mm uPVC weep holes at 1.2m centres.
- (G) Stainless steel wall ties at 900mm centres horizontally and 450mm centres vertically.
Note: Walls forming permanent shuttering to concrete infill for 2m retaining wall to be 275mm long stainless steel ties (as Ancon CCL standard ST1 or equivalent).
- (H) Dense concrete blockwork 7N/mm² strength. Minimum density 18KN/m³, bonded into brickwork.
- (I) Mortar fillet.
- (J) Single no fines concrete block placed behind back of all weep holes

Notes.

- (i) Movement joints to be provided at 6.0m maximum centres.
- (ii) Mortar to be cement/sand mortar (1:3).
- (iii) All facing brickwork to have weather struck pointing.

NOTES:

- 1. Do not scale from this drawing use figured dimensions only.
- 2. This drawing is copyright.
- 3. This drawing is not for construction and is subject to detailed design.
- 4. All dimensions are in 'mm' unless stated otherwise.
- 5. All levels are in 'm' unless stated otherwise.
- 6. Foundations for retaining walls in areas of fill (embankments) to be constructed in maximum 6m lengths and have 1 layer of A393 mesh reinforcement in the bottom of the foundation. Concrete to be grade RC35.
- 7. Batter slopes to back of retaining walls to vary, from horizontal to a maximum of 1 in 8 unless otherwise stated.
- 8. Materials to back of retaining walls to be carefully placed and lightly compacted. No site traffic to traverse behind completed retaining walls.
- 9. Top surface of foundation to be cleaned to remove all traces of cement laitance and extraneous material prior to constructing wall. Ensure clean surface and good bond between masonry and concrete foundation.
- 10. Backfill materials behind completed walls are to be placed not sooner than 3 days after building of the wall.

RETAINING WALLS BASED ON PREVIOUS PHASE DESIGN & SUBJECT TO A DETAILED STRUCTURAL CHECK FOLLOWING RECEIPT OF GEOTECHNICAL INVESTIGATION

PLANNING

01	20.11.2018	GENERAL ARRANGEMENTS - SITE NAME ALTERED	KMG
Rev	Date	Description	By

Dimensions to be verified on site. This drawing should not be scaled. Use figured dimensions only. Any discrepancies should be referred to the Engineer prior to work being put in hand. This drawing is copyright.

QuadConsult Limited
Columbus House, Village Way
Greenmeadow Business Park
Cardiff
CF15 7NE
029 2077 9644
contactus@quadconsult.co.uk
www.quadconsult.co.uk

QuadConsult
ENGINEERS IN PARTNERSHIP
Consulting Civil & Structural Engineers

Client

The key to quality
Lewis Homes

Project **Woodlands Green, Coedely**

Title **RETAINING WALL DETAILS**

Drawing Status **PLANNING**

Designed by	Drawn by	Checked by	Date	Scales @ A1 size
MB	KMG	ACV	Sept '18	As shown
Project No		Drawing No		Revision
18152		C-120		1

File name: 18152_018a_RetainingWallDetails