



Tree Survey

At

**Woodlands Green
Coedely, Tonyrefail**

*Inspected by:-
Julian Wilkes BSc.For, MSc.Land Man, MIC.For, TechArborA
Treescene Ltd
The Walled Garden
Old Coedarhydyglyn
St Nicholas
Cardiff
CF5 6SG
Tel No. 029 20599300*

16th July, 2018

**Registered Office: Treescene Limited
The Walled Garden, Old Coedarhydyglyn, St. Nicholas, Cardiff CF5 6SG
Tel. 029 205 99300 Email. trees@treescene.co.uk**

I have been instructed by Mr Jon Wilks of WPM Planning to carry out a survey on trees at Woodlands Green, Coedely, Tonyrefail.

Scope of Report

This Tree Survey has been undertaken within the recommendations of British Standards 5837:2012 and current good arboricultural practice.

The survey entailed a visual inspection from ground level of all trees.

Each tree has been numbered and, where instructed, have been tagged using small durable metal or plastic tags.

Due to variations of existing ground levels through the site, height dimensions are estimated and are given in metres.

Trunk/stem diameters are measured at 1.5 metres above ground level, or immediately above the root flare for multi-stemmed trees.

Estimated branch spread is taken in metres from the centre of the trunk, at the four cardinal points of a compass, to achieve an accurate representation of crown shape.

An assessment of a tree's age classification is made in terms of its maturity within the site's landscape.

An assessment of a tree's physiological condition is made as good, fair, poor, dead.

Data on the structural condition of the tree has been entered, e.g., collapsing, leaning and the presence of any decay or physical defect has been noted.

Preliminary management recommendations include further investigation of suspected defects that require more detailed assessment or potential for wildlife habitat.

An assessment of a tree's future life expectancy is made as <10, 10-20, 20-40 or >40 etc.

Table 1 – Cascade chart for tree quality assessment

Category and definition	Criteria (including subcategories where appropriate)		
<p><u>Category U</u> Those in such a condition that they cannot realistically be retained as living trees in the context of the current land use for longer than 10 years</p>	<ul style="list-style-type: none"> • Trees that have a serious, irremediable, structural defect, such that their early loss is expected due to collapse, including those that will become unviable after removal of other U category trees (i.e. where, for whatever reason, the loss of companion shelter cannot be mitigated by pruning) • Trees that are dead or are showing signs of significant, immediate, and irreversible overall decline • Trees infected with pathogens of significance to the health and/or safety of other trees nearby, or very low quality trees suppressing adjacent trees of better quality <p>NOTE Category U trees can have existing or potential conservation value which it might be desirable to preserve; see 4.5.7</p>		
	1 Mainly Arboricultural values	2 Mainly landscape values	3 Mainly cultural values, including conservation
<p><u>Category A</u> Those of high quality with an estimated remaining life expectancy of at least 40 years</p>	Trees that are particularly good examples of their species, especially if rare or unusual, or essential components of groups, or of formal or semi-formal arboricultural features (e.g. the dominant and/or principal trees within an avenue)	Trees, groups or woodlands of particular visual importance as Arboricultural and/or landscape features	Trees, groups or woodlands of significant conservation; historical, commemorative or other value (e.g. veteran trees or wood-pasture)
<p><u>Category B</u> Those of moderate quality with an estimated remaining life expectancy of at least 20 years</p>	Trees that might be included in category A, but are downgraded because of impaired condition (e.g. presence of significant though remediable defects, including unsympathetic past management and storm damage), such that they are unlikely to be suitable for retention for beyond 40 years; or trees lacking the special quality necessary to merit the category A designation	Trees present in numbers, usually growing as groups or woodlands, such that they attract a higher collective rating than they might as individuals; or trees occurring as collectives but situated so as to make little visual contribution to the wider locality	Trees with material conservation or other cultural benefits
<p><u>Category C</u> Those of low quality with an estimated remaining life expectancy of at least 10 years, or young trees with a stem diameter below 150mm</p>	Unremarkable trees of very limited merit or such impaired condition that they do not qualify in higher categories	Trees present in groups or woodlands, but without this conferring on them significantly greater collective landscape value, and/or trees offering low or only temporary/transient landscape benefits	Trees with no material conservation or other cultural value

Tree No.	Species	Height(m)	Single/Multi Stemmed	Stem Diameter(m)	Branch Spread(m)				Height of Crown(m)	Age	Physiological Condition	Structural Condition	Prel. Man. Recommendations	Est. Remaining Contribution	Category
					N	E	S	W							
T1	Oak (Quercus robur)	10	Multi	0.75	6	6	3	5	2	Mature	Fair	Multi stemmed hedgerow specimen of reasonable form with low broad-spreading crown	Crown raise to 3.5m removing secondary branches only	20-40	B
T2	Oak (Quercus robur)	11	Multi	0.8	6	8	5	7	2	Mature	Fair	Hedgerow species of reasonable form. Some evidence of slight ground disturbance on south-western side of rooting area.	Crown raise to 3.5m removing secondary branches only. Monitor for health.	20-40	B
T3	Ash (Fraxinus excelsior)	9	Multi	0.3	1	3	3	2	2	Middle aged	Fair to poor	Twin stemmed specimen of variable form	Monitor for health	10-20	C
G4	Group of Oak (Quercus robur), Holly (Ilex aquifolium), Goat Willow (Salix caprea) and Hazel (Corylus avellana)	Up to 8	Single and multi	0.15	2	2	2	2	0	Middle aged	Fair to poor	Scrubby specimens forming gappy hedgerow	Monitor for safety	10-20	C

Tree No.	Species	Height(m)	Single/Multi Stemmed	Stem Diameter(m)	Branch Spread(m)				Height of Crown(m)	Age	Physiological Condition	Structural Condition	Prel. Man. Recommendations	Est. Remaining Contribution	Category
					N	E	S	W							
G5	Group of Goat Willow (Salix caprea), Oak (Quercus robur), Ash (Fraxinus excelsior), Holly (Ilex aquifolium), Hazel (Corylus avellana), Birch (Betula pendula) and Hawthorn (Crataegus monogyna)	Up to 10	Single and multi	0.3	4	3	2	3	1	Middle aged	Fair	Mainly scrubby specimens forming gappy hedgerow containing some reasonable individual trees	Crown raise to 3m removing secondary branches only	20-40	B
G6	Group of 4 Oak (Quercus robur)	8	Multi	0.35	3	4	2	2	1	Middle aged	Fair	Hedgerow specimens of generally variable form. Some evidence of root disturbance on southern side in relation to new housing.	Monitor for health	20-40	B

Tree No.	Species	Height(m)	Single/Multi Stemmed	Stem Diameter(m)	Branch Spread(m)				Height of Crown(m)	Age	Physiological Condition	Structural Condition	Prel. Man. Recommendations	Est. Remaining Contribution	Category
					N	E	S	W							
G7	Group of Holly (Ilex aquifolium) and Oak (Quercus robur)	6	Multi	0.25	1	1	1	1	1	Young	Fair to poor	Scrubby specimens forming gappy hedgerow. Evidence of thinning and die-back within crowns.	Monitor for health	10-20	C
G8	Group of 2 Oak (Quercus robur)	8	Multi	0.35	3	4	3	3	2	Middle aged	Fair	Hedgerow trees of reasonable form	Crown raise to 3m removing secondary branches only	20-40	B
T9	Oak (Quercus robur)	9	Multi	0.5	6	7	5	5	2	Middle aged	Fair	Twin stemmed hedgerow specimen of reasonable form. Some evidence of slight thinning of foliage in upper crown.	Crown raise to 3m removing secondary branches only. Monitor for health.	20-40	B
G10	Group of Oak (Quercus robur), Holly (Ilex aquifolium), Rowan (Sorbus aucuparia), Hawthorn (Crataegus monogyna) and Hazel (Corylus avellana)	8	Single and multi	0.3	3	4	3	3	2	Young	Fair to poor	Scrubby specimens forming gappy hedgerow. Some evidence of thinning and die-back within crowns.	Monitor for health	10-20	C

Tree No.	Species	Height(m)	Single/Multi Stemmed	Stem Diameter(m)	Branch Spread(m)				Height of Crown(m)	Age	Physiological Condition	Structural Condition	Prel. Man. Recommendations	Est. Remaining Contribution	Category
					N	E	S	W							
T11	Oak (Quercus robur)	11	Single	0.49	6	8	6	5	2	Mature	Good	Hedgerow tree of good form	No action required at this time	>40	A
T12	Oak (Quercus robur)	11	Multi	0.65	4	8	8	5	2	Middle aged	Fair	Twin stemmed hedgerow specimen of reasonable form. Some deadwood within crown.	Prune to remove major deadwood	20-40	B
G13	Group of Oak (Quercus robur), Hazel (Corylus avellana) and Holly (Ilex aquifolium)	Up to 11	Single and multi	0.5 (avg)	5	7	4	4	2	Middle aged	Fair	Hedgerow containing several specimen Oak trees of reasonable form	Crown raise to 3m removing secondary branches only	>40	B
G14	Group of Goat Willow (Salix caprea), Oak (Quercus robur), Hazel (Corylus avellana), Holly (Ilex aquifolium) and Birch (Betula pendula)	8	Single and multi	0.25	5	2	5	2	2	Middle aged	Fair to poor	Scrubby specimens forming gappy hedgerow	Monitor for safety	10-20	C

Tree No.	Species	Height(m)	Single/Multi Stemmed	Stem Diameter(m)	Branch Spread(m)				Height of Crown(m)	Age	Physiological Condition	Structural Condition	Prel. Man. Recommendations	Est. Remaining Contribution	Category
					N	E	S	W							
G15	Group of Oak (Quercus robur), Hazel (Corylus avellana), Holly (Ilex aquifolium) and Hawthorn (Crataegus monogyna)	Up to 12	Single and multi	0.4	2	2	5	4	1	Middle aged	Fair to poor	Scrubby specimens forming gappy hedgerow. Some specimens have been heavily reduced. Evidence of ground disturbance on southern side of this group which may influence health at a later date.	Monitor for health	10-20	C
T16	Oak (Quercus robur)	13	Single	0.69	6	6	9	3	2	Mature	Fair	Notable hedgerow specimen that has been heavily and poorly pruned on western side of crown	Monitor for stability	>40	B
G17	Group of Hazel (Corylus avellana), Oak (Quercus robur), Goat Willow (Salix caprea) and Blackthorn (Prunus spinosa)	10	Single and multi	0.35	3	3	3	3	1	Middle aged	Fair	Specimens of generally scrubby and variable form creating a linear copse	No action required at this time	20-40	B

Tree No.	Species	Height(m)	Single/Multi Stemmed	Stem Diameter(m)	Branch Spread(m)				Height of Crown(m)	Age	Physiological Condition	Structural Condition	Prel. Man. Recommendations	Est. Remaining Contribution	Category
					N	E	S	W							
G18	Group of Oak (Quercus robur), Ash (Fraxinus excelsior), Hawthorn (Crataegus monogyna) and Blackthorn (Prunus spinosa)	Up to 12	Single and multi	0.55	5	5	5	5	2	Mature	Fair	Trees generally of reasonable form creating a gappy hedgerow	No action required at this time	>40	B
G19	Group of Goat Willow (Salix caprea), Oak (Quercus robur), Birch (Betula pendula), Ash (Fraxinus excelsior) and Hazel (Corylus avellana)	Up to 14	Single and multi	0.5	6	6	6	6	2	Mature	Good	Woodland edge trees of generally reasonable form	No action required at this time	>40	A

Tree No.	Species	Height(m)	Single/Multi Stemmed	Stem Diameter(m)	Branch Spread(m)				Height of Crown(m)	Age	Physiological Condition	Structural Condition	Prel. Man. Recommendations	Est. Remaining Contribution	Category
					N	E	S	W							
T20	Oak (Quercus robur)	11	Multi	0.8	9	7	7	5	3	Mature	Fair	Twin stemmed hedgerow specimen of reasonable form. Some slight die-back in lower crown.	Prune to remove major deadwood	>40	B
T21	Birch (Betula pendula)	9	Multi	0.35	6	6	5	1	3	Middle aged	Poor	Tree of poor form with extensive basal decay	Remove	<10	U
G22	Group of Oak (Quercus robur), Hazel (Corylus avellana), Hawthorn (Crataegus monogyna) and Goat Willow (Salix caprea)	6	Multi	0.3	4	2	3	4	1	Middle aged	Fair to poor	Scrubby specimens forming gappy hedgerow. Some evidence of thinning and die-back within crowns.	Monitor for health	10-20	C

Tree No.	Species	Height(m)	Single/Multi Stemmed	Stem Diameter(m)	Branch Spread(m)				Height of Crown(m)	Age	Physiological Condition	Structural Condition	Prel. Man. Recommendations	Est. Remaining Contribution	Category
					N	E	S	W							
G23	Group of Oak (Quercus robur), Birch (Betula pendula), Hazel (Corylus avellana) and Holly (Ilex aquifolium)	12	Single and multi	0.4	8	4	7	5	2	Mature	Fair	Trees of generally reasonable form creating a gappy hedgerow	Crown raise to 3.5m removing secondary branches only	>40	B
T24	Oak (Quercus robur)	11	Single	0.71	9	7	9	7	3	Mature	Good	Tree of good form	No action required at this time	>40	A
G25	Group of Oak (Quercus robur), Holly (Ilex aquifolium) and Birch (Betula pendula)	8	Single and multi	0.35	5	4	5	4	2	Middle aged	Fair	Trees of generally reasonable form creating a gappy hedgerow	Crown raise to 3m removing secondary branches only	>40	B
T26	Oak (Quercus robur)	10	Single	0.37	6	5	5	5	2	Mature	Good	Notable hedgerow specimen of good form	Crown raise to 3.5m	>40	A

Tree No.	Species	Height(m)	Single/Multi Stemmed	Stem Diameter(m)	Branch Spread(m)				Height of Crown(m)	Age	Physiological Condition	Structural Condition	Prel. Man. Recommendations	Est. Remaining Contribution	Category
					N	E	S	W							
T27	Oak (Quercus robur)	9	Multi	0.5	7	6	6	7	4	Mature	Fair	Hedgerow tree of reasonable form	No action required at this time	>40	B
T28	Oak (Quercus robur)	12	Single	0.41	4	4	6	5	4	Mature	Fair	Hedgerow specimen of good form. Some evidence of minor basal decay on northern side of main stem.	Monitor for safety	>40	B
G29	Group of Oak (Quercus robur), Hazel (Corylus avellana), Holly (Ilex aquifolium) and Birch (Betula pendula)	9	Single and multi	0.25	3	2	3	2	1	Middle aged	Fair	Scrubby specimens forming gappy hedgerow. Some slight thinning within crowns.	Monitor for health	20-40	B
T30	Oak (Quercus robur)	13	Single	0.81	8	8	9	9	3	Mature	Fair	Notable hedgerow specimen with evidence of thinning and die-back within crown. Some minor basal decay on south-eastern side of main stem. Some mechanical damage in lower crown.	Prune to remove damaged branches and major deadwood. Monitor for safety.	20-40	B

Tree No.	Species	Height(m)	Single/Multi Stemmed	Stem Diameter(m)	Branch Spread(m)				Height of Crown(m)	Age	Physiological Condition	Structural Condition	Prel. Man. Recommendations	Est. Remaining Contribution	Category
					N	E	S	W							
G31	Group of Oak (Quercus robur) and Birch (Betula pendula)	13	Single	0.3	4	4	4	4	2	Middle aged	Fair	Hedgerow trees of reasonable form	No action required at this time	20-40	B
T32	Oak (Quercus robur)	15	Single	0.83	9	9	9	9	3	Mature	Fair	Notable hedgerow specimen of reasonable form. Evidence of potentially weak lower fork at 2m.	Monitor strength of lower fork	20-40	B
T33	Oak (Quercus robur)	12	Single	0.62	9	8	9	8	3	Mature	Good	Notable hedgerow specimen of good form	No action required at this time	>40	A
G34	Group of Oak (Quercus robur), Birch (Betula pendula), Hazel (Corylus avellana), Holly (Ilex aquifolium) and Rowan (Sorbus aucuparia)	9	Single and multi	0.3	5	5	5	5	2	Middle aged	Fair to poor	Trees of generally variable form creating a gappy hedgerow. Some specimens are dead or dying.	Remove dead or dying specimens. Monitor remaining trees for health.	10-20	C

Tree No.	Species	Height(m)	Single/Multi Stemmed	Stem Diameter(m)	Branch Spread(m)				Height of Crown(m)	Age	Physiological Condition	Structural Condition	Prel. Man. Recommendations	Est. Remaining Contribution	Category
					N	E	S	W							
G35	Group of Oak (Quercus robur)	11	Single	0.3	3	3	4	5	3	Middle aged	Fair	Trees of generally reasonable form	No action required at this time	>40	B
T36	Oak (Quercus robur)	13	Single	0.73	8	8	9	9	2	Mature	Fair	Notable hedgerow tree of good form. Some minor basal decay.	Monitor for safety	>40	B
G37	Group of Oak (Quercus robur), Birch (Betula pendula), Holly (Ilex aquifolium), Hazel (Corylus avellana) and Hawthorn (Crataegus monogyna)	11	Single and multi	0.5	5	5	8	5	2	Mature	Good	Trees of generally reasonable form creating a robust hedgerow on the northern boundary	Crown raise to 3m removing secondary branches only	>40	A

Tree No.	Species	Height(m)	Single/Multi Stemmed	Stem Diameter(m)	Branch Spread(m)				Height of Crown(m)	Age	Physiological Condition	Structural Condition	Prel. Man. Recommendations	Est. Remaining Contribution	Category
					N	E	S	W							
G38	Group of Oak (Quercus robur), Birch (Betula pendula), Holly (Ilex aquifolium), Hawthorn (Crataegus monogyna) and Hazel (Corylus avellana)	8	Single and multi	0.25	3	3	4	3	1	Middle aged	Fair	Scrubby specimens forming gappy hedgerow	No action required at this time	20-40	B
T39	Oak (Quercus robur)	13	Multi	0.75	6	7	7	7	3	Mature	Good	Twin stemmed specimen of good form. Some storm damage in lower crown.	Prune to remove storm damaged branches	>40	A
T40	Oak (Quercus robur)	13	Single	0.39	5	5	6	4	3	Middle aged	Good	Hedgerow tree of good form	No action required at this time	>40	A
G41	Group of Oak (Quercus robur), Holly (Ilex aquifolium) and Birch (Betula pendula)	8	Single and multi	0.3	3	2	3	2	1	Middle aged	Fair	Trees of reasonable form creating gappy hedgerow	No action required at this time	>40	B

Tree No.	Species	Height(m)	Single/Multi Stemmed	Stem Diameter(m)	Branch Spread(m)				Height of Crown(m)	Age	Physiological Condition	Structural Condition	Prel. Man. Recommendations	Est. Remaining Contribution	Category
					N	E	S	W							
G42	Group of Holly (Ilex aquifolium), Rowan (Sorbus aucuparia) and Hazel (Corylus avellana)	4	Multi	0.2	1	1	1	1	1	Middle aged	Fair to poor	Scrubby specimens forming gappy hedgerow. Some die-back within crowns.	Monitor for health	10-20	C
G43	Group of Oak (Quercus robur), Birch (Betula pendula), Holly (Ilex aquifolium) and Hawthorn (Crataegus monogyna)	10	Single and multi	0.35	4	3	6	5	2	Middle aged	Fair	Trees of reasonable form creating gappy hedgerow	No action required at this time	20-40	B

Tree No.	Species	Height(m)	Single/Multi Stemmed	Stem Diameter(m)	Branch Spread(m)				Height of Crown(m)	Age	Physiological Condition	Structural Condition	Prel. Man. Recommendations	Est. Remaining Contribution	Category
					N	E	S	W							
G44	Group of Oak (Quercus Robur), Rowan (Sorbus aucuparia), Holly (Ilex aquifolium) and Hazel (Corylus avellana)	4	Multi	0.15	1	1	1	1	1	Middle aged	Fair to poor	Scrubby specimens forming gappy hedgerow. Some evidence of thinning and die-back within crowns.	Monitor for health	10-20	C
T45	Oak (Quercus robur)	7	Single	0.37	4	4	3	3	3	Middle aged	Fair	Hedgerow tree of reasonable form	No action required at this time	>40	B
G46	Group of Hazel (Corylus avellana), Hawthorn (Crataegus monogyna), Holly (Ilex aquifolium), Blackthorn (Prunus spinosa) and Goat Willow (Salix caprea)	2	Multi	0.1	1	1	1	1	0	Middle aged	Fair to poor	Scrubby specimens forming tightly clipped hedgerow	No action required at this time	10-20	C

Tree No.	Species	Height(m)	Single/Multi Stemmed	Stem Diameter(m)	Branch Spread(m)				Height of Crown(m)	Age	Physiological Condition	Structural Condition	Prel. Man. Recommendations	Est. Remaining Contribution	Category
					N	E	S	W							
G47	Group of Rowan (Sorbus aucuparia), Goat Willow (Salix caprea), Holly (Ilex aquifolium), Hawthorn (Crataegus monogyna) and Oak (Quercus robur)	5	Single and multi	0.2	2	2	2	2	0	Middle aged	Fair to poor	Scrubby specimens forming gappy hedgerow. Some evidence of thinning and die-back within certain crowns.	Monitor for health	10-20	C
T48	Oak (Quercus robur)	7	Single	0.46	5	7	6	7	2	Mature	Fair	Isolated specimen of reasonable form with evidence of thinning of foliage within crown	Monitor for health	20-40	B
G49	Group of Rowan (Sorbus aucuparia), Oak (Quercus robur) and Hawthorn (Crataegus monogyna)	4	Single	0.2	2	2	2	2	1	Middle aged	Fair to poor	Scrubby specimens forming gappy hedgerow of low vigour	Monitor for health	10-20	C

Tree No.	Species	Height(m)	Single/Multi Stemmed	Stem Diameter(m)	Branch Spread(m)				Height of Crown(m)	Age	Physiological Condition	Structural Condition	Prel. Man. Recommendations	Est. Remaining Contribution	Category
					N	E	S	W							
T50	Oak (Quercus robur)	7	Single	0.44	5	5	5	3	2	Middle aged	Fair	Slightly scrubby hedgerow specimen of variable form. Dense ivy colonisation on main stem prevents full inspection.	Sever ivy at base	20-40	B
T51	Oak (Quercus robur)	8	Single	0.54	6	5	5	5	3	Middle aged	Fair	Hedgerow specimen of reasonable form	No action required at this time	>40	B
T52	Oak (Quercus robur)	8	Single	0.59	5	5	6	6	2	Mature	Fair	Hedgerow specimen of reasonable form	No action required at this time	>40	B
G53	Group of Holly (Ilex aquifolium), Hawthorn (Crataegus monogyna) and Oak (Quercus robur)	3	Multi	0.2	1	1	1	1	0	Middle aged	Fair to poor	Scrubby specimens of low vigour	No action required at this time	10-20	C
G54	Group of Oak (Quercus robur) and Hawthorn (Crataegus monogyna)	4	Single and multi	0.25	2	2	3	1	1	Middle aged	Fair to poor	Scrubby specimens of low vigour	Monitor for health	10-20	C

Tree No.	Species	Height(m)	Single/Multi Stemmed	Stem Diameter(m)	Branch Spread(m)				Height of Crown(m)	Age	Physiological Condition	Structural Condition	Prel. Man. Recommendations	Est. Remaining Contribution	Category
					N	E	S	W							
T55	Oak (Quercus robur)	5	Single	0.29	2	3	3	1	2	Young	Fair to poor	Tree of variable form and low vigour	Monitor for health	10-20	C
T56	Oak (Quercus robur)	8	Single	0.42	5	4	5	4	3	Middle aged	Good	Hedgerow tree of good form. Some minor mechanical damage in lower crown.	Prune to remove damaged branches	>40	A
G57	Group of Holly (Ilex aquifolium), Hawthorn (Crataegus monogyna), Hazel (Corylus avellana) and Oak (Quercus robur)	4	Multi	0.25	2	1	2	1	1	Middle aged	Fair to poor	Scrubby specimens forming gappy hedgerow. Trees of generally low vigour.	Monitor for health	10-20	C
T58	Oak (Quercus robur)	8	Single	0.42	4	5	4	4	2	Middle aged	Fair	Hedgerow tree of reasonable form	No action required at this time	>40	B

Tree No.	Species	Height(m)	Single/Multi Stemmed	Stem Diameter(m)	Branch Spread(m)				Height of Crown(m)	Age	Physiological Condition	Structural Condition	Prel. Man. Recommendations	Est. Remaining Contribution	Category
					N	E	S	W							
G59	Group of Hawthorn (Crataegus monogyna), Holly (Ilex aquifolium), Goat Willow (Salix caprea), Hazel (Corylus avellana) and Oak (Quercus robur)	2	Multi	0.15	1	1	1	1	0	Middle aged	Fair to poor	Scrubby specimens forming gappy hedgerow that has been tightly flailed	No action required at this time	10-20	C

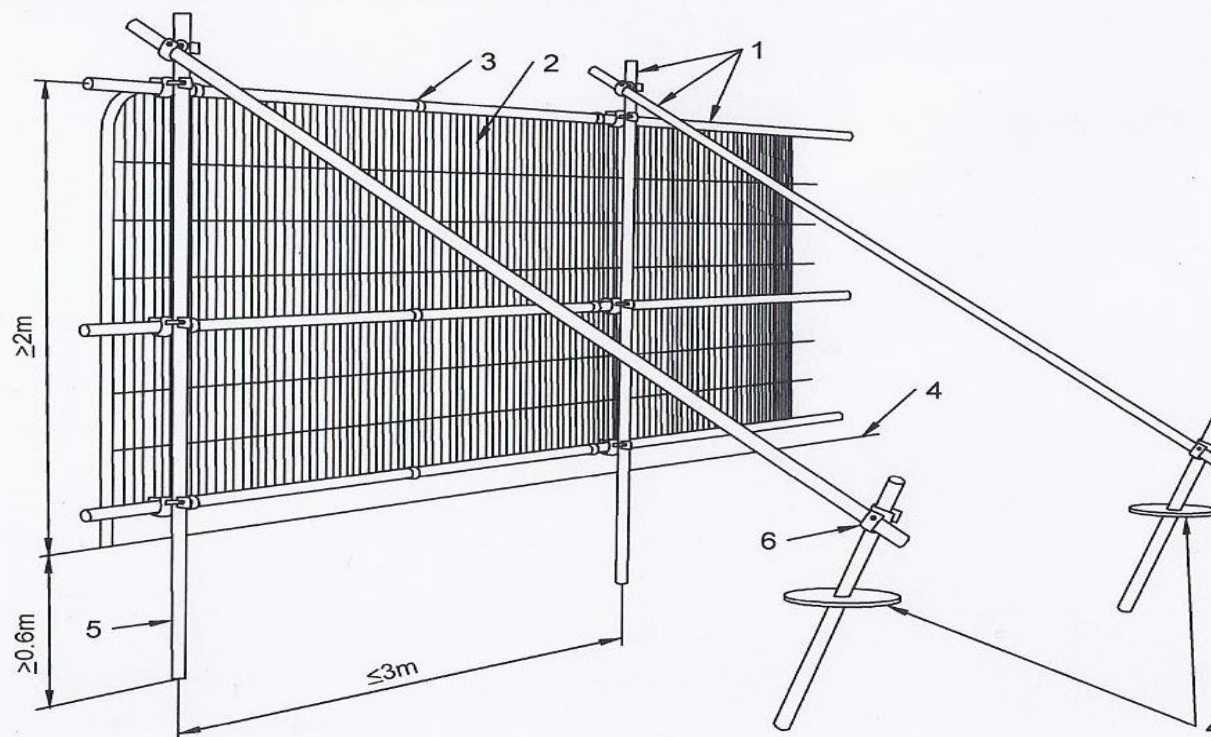
Tree No.	Species	Height(m)	Single/Multi Stemmed	Stem Diameter(m)	Branch Spread(m)				Height of Crown(m)	Age	Physiological Condition	Structural Condition	Prel. Man. Recommendations	Est. Remaining Contribution	Category
					N	E	S	W							
G60	Group of Hawthorn (Crataegus monogyna), Holly (Ilex aquifolium), Goat Willow (Salix caprea), Hazel (Corylus avellana), Oak (Quercus robur), Blackthorn (Prunus spinosa) and Ash (Fraxinus excelsior)	2	Multi	0.15	1	1	1	1	0	Middle aged	Fair to poor	Scrubby specimens forming gappy hedgerow that has been tightly flailed	No action required at this time	10-20	C
T61	Apple (Malus spp)	2	Single	0.1	1	1	1	1	1	Young	Poor	Tree of poor form with die-back throughout crown	Remove	<10	U
G62	Group of Holly (Ilex aquifolium) and Hazel (Corylus avellana)	4	Multi	0.25	2	2	2	2	0	Middle aged	Fair to poor	Scrubby hedgerow specimens of low vigour	Monitor for health	10-20	C

Tree No.	Species	Height(m)	Single/Multi Stemmed	Stem Diameter(m)	Branch Spread(m)				Height of Crown(m)	Age	Physiological Condition	Structural Condition	Prel. Man. Recommendations	Est. Remaining Contribution	Category
					N	E	S	W							
T63	Sycamore (Acer pseudo-platanus)	13	Multi	0.75	6	6	6	6	2	Mature	Fair to poor	Multi stemmed specimen of variable form with evidence of weak basal forks. Evidence of squirrel damage throughout crown.	Undertake 15% overall crown reduction. Monitor for safety.	10-20	C
T64	Ash (Fraxinus excelsior)	16	Multi	0.8	8	6	4	6	2	Mature	Fair to poor	Multi stemmed specimen of variable form with evidence of weak basal forks and thinning and die-back throughout crown	Undertake 15% overall crown reduction. Monitor for health.	10-20	C

Recommendations for Tree Protection during Development

Due to the high risk to established trees we would recommend the installation of protective fencing prior to commencement of **any** works on site in accordance with BS 5837:2012 “Trees in relation to Construction”. Trees should be protected using scaffold frame supporting weld mesh panel fencing sited on the edge of the Root Protection Area as defined in BS5837:2012. These fenced areas should not be used for the storage of any plant machinery or materials and personnel should be excluded at all times; these fences should remain in situ until after final landscaping has been carried out, removed by hand with great care to prevent compaction or root damage to established trees. The services of a suitably qualified arborist should be sought **prior** to the commencement of each stage.

Figure 2 Default specification for protective barrier



Key

- 1 Standard scaffold poles
- 2 Heavy gauge 2m tall galvanized tube and welded mesh infill panels
- 3 Panels secured to uprights and cross-members with wire ties
- 4 Ground level
- 5 Uprights driven into the ground until secure (minimum depth 0.6m)
- 6 Standard scaffold clamps