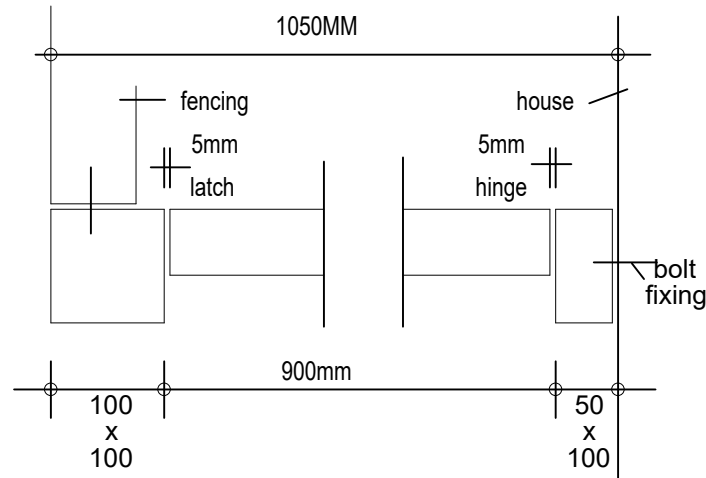
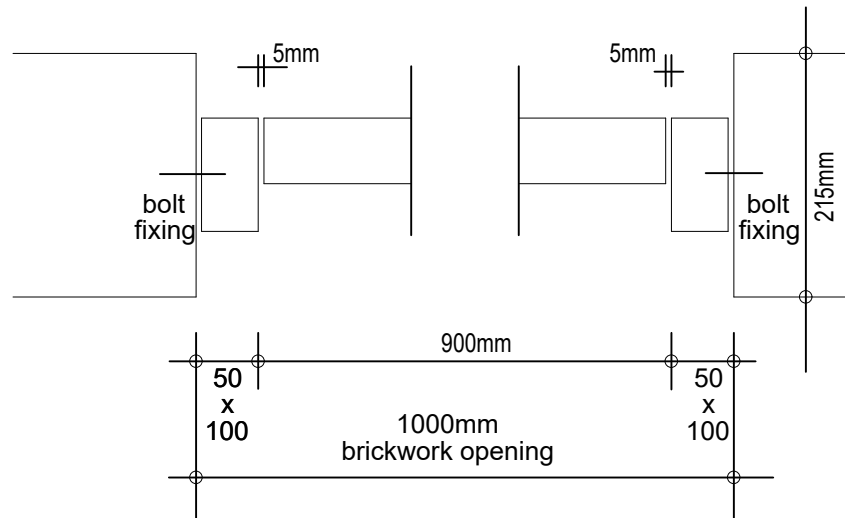


CLOSE BOARD GATE



PLAN DETAIL 01



PLAN DETAIL 02

| REV. | DESCRIPTION | DATE |
|-------------------------|-------------|----------|
| CLIENT | | |
| Obsidian Developments | | |
| DRAWING TITLE | | |
| External Details | | |
| 1800mm close board gate | | |
| SCALE | DATE | DRAWN BY |
| 1:20@A4 | Sep' 22 | HA Ltd |
| DRAWING NO. | REVISION | TYPE |
| 2200-D03 | . | PLN |



10 Gold Tops
Newport NP20 4PH
t. 01633 844970
e. info@hammond-ltd.co.uk

www.hammond-ltd.co.uk

© Hammond Architectural Limited 2021
Figured dimensions must be taken in preference to scaled dimensions and any discrepancies are to be referred to Hammond Architectural Ltd. Contractors, subcontractors and suppliers must verify all dimensions on site before commencing any work or making any workshop drawings.