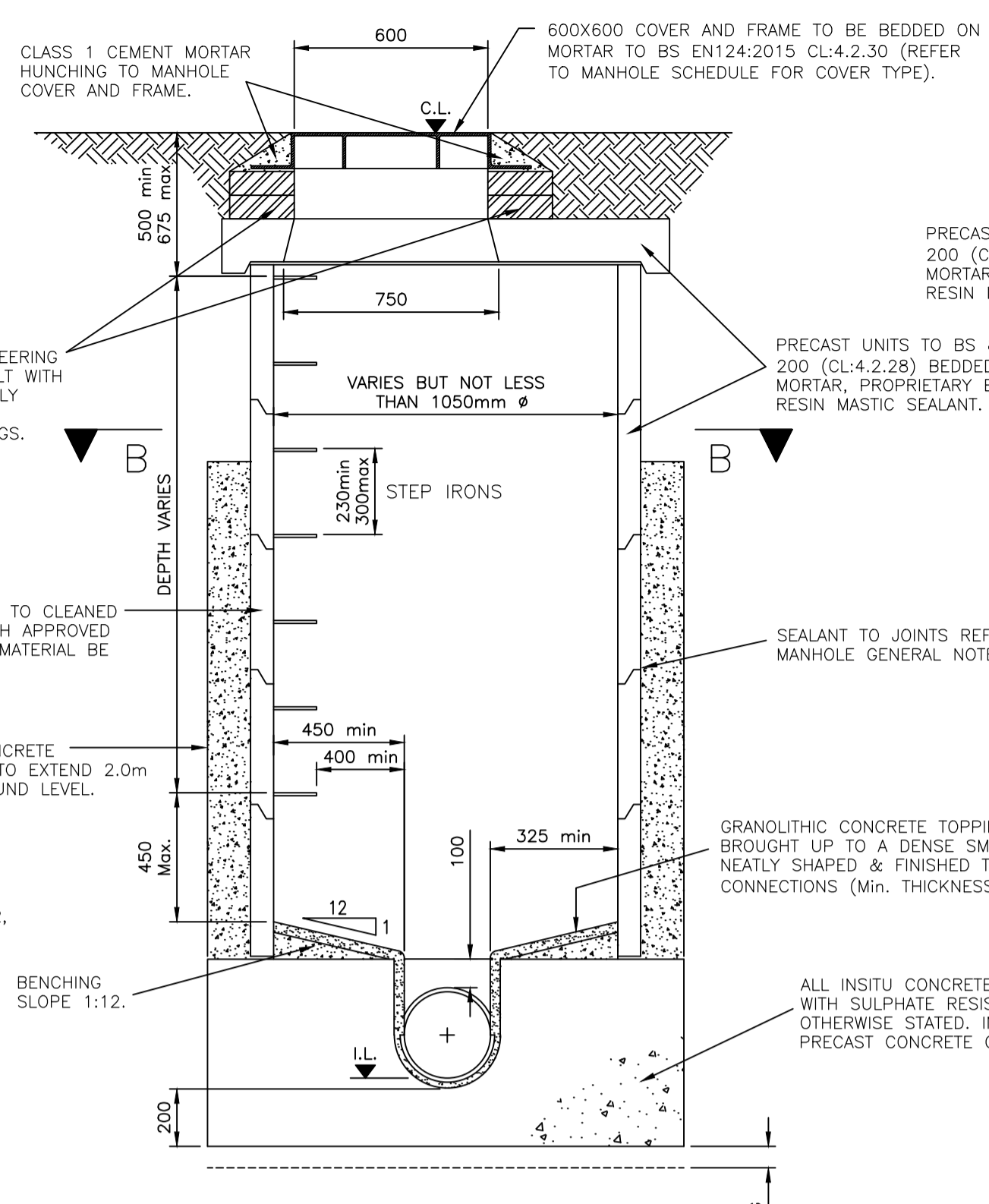
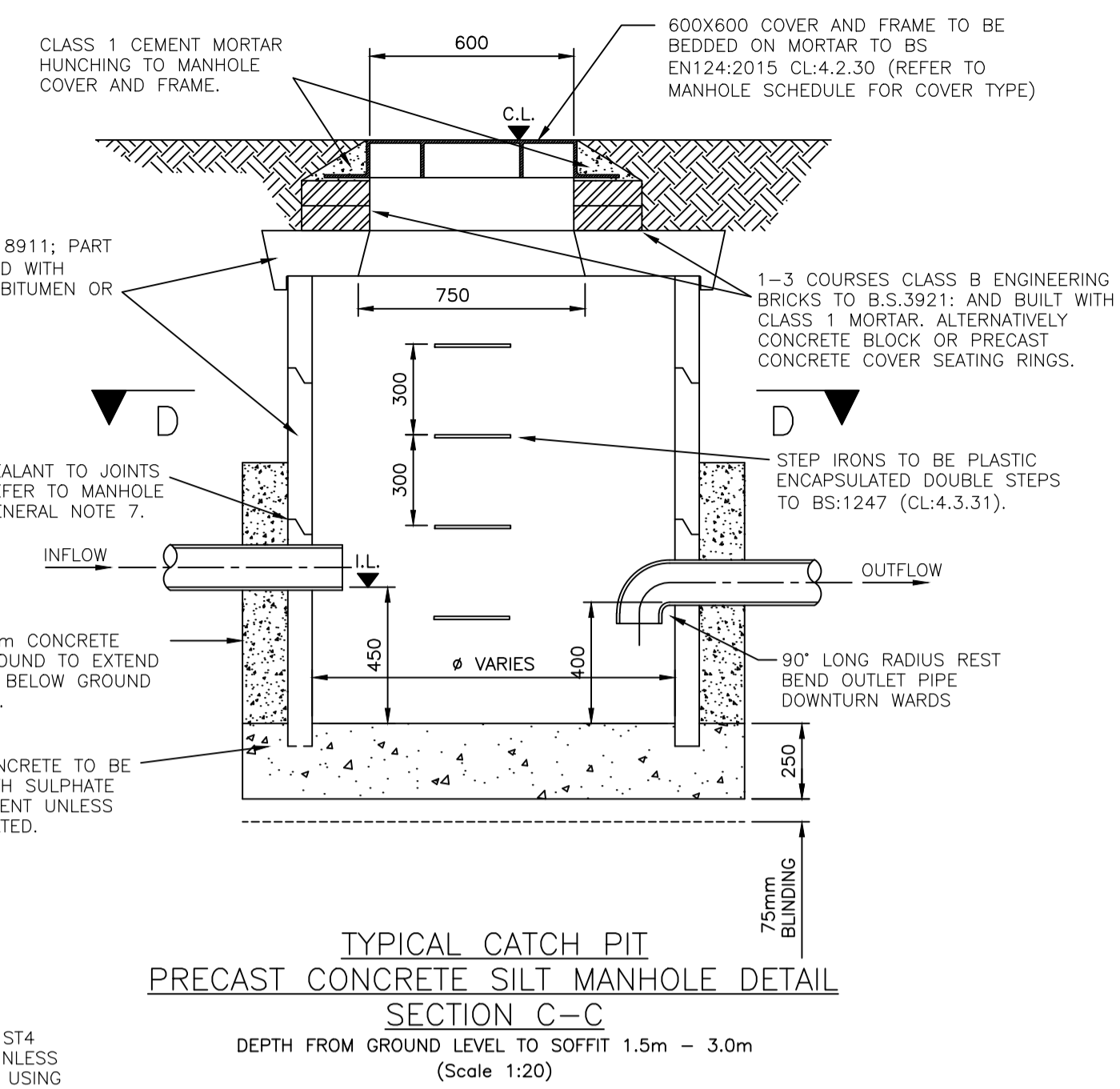


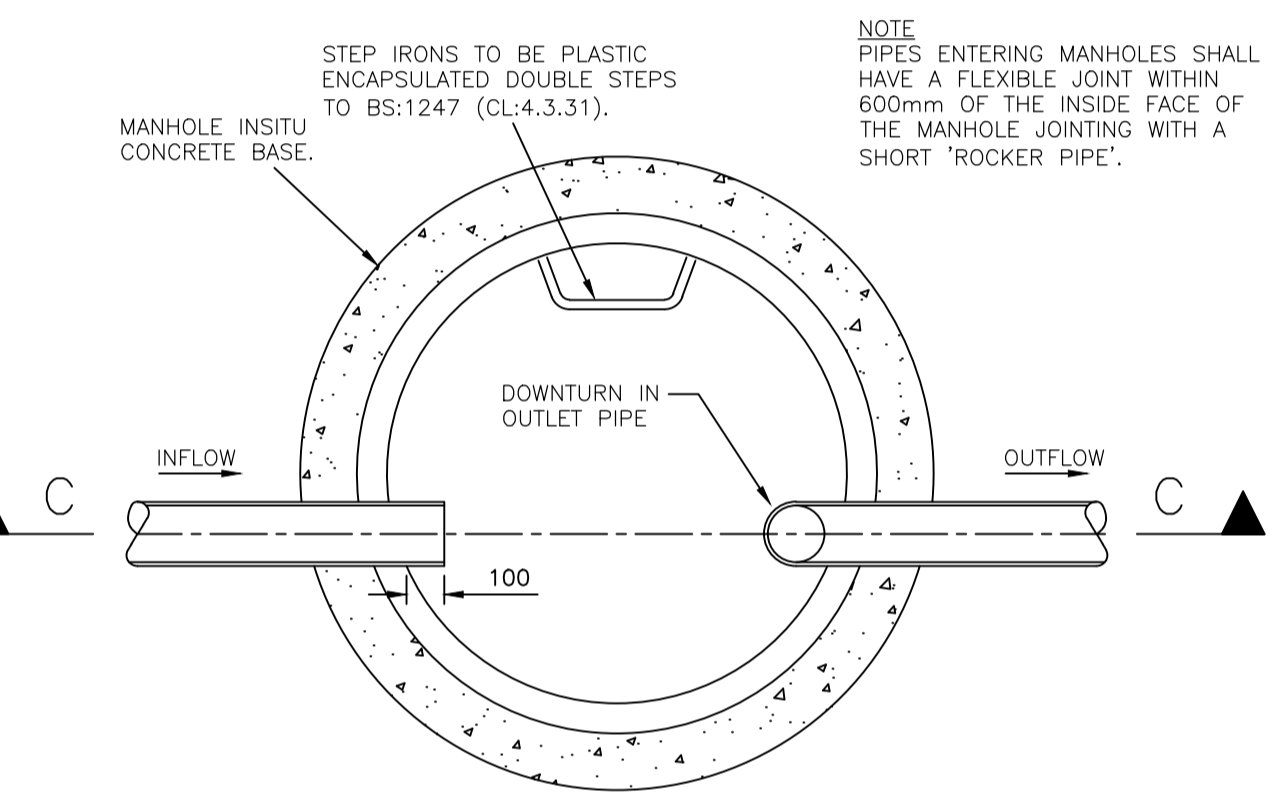
**TYPICAL TYPE A PRECAST CONCRETE MANHOLE**  
(DEPTH FROM GROUND LEVEL TO SOFFIT 3.0m+)



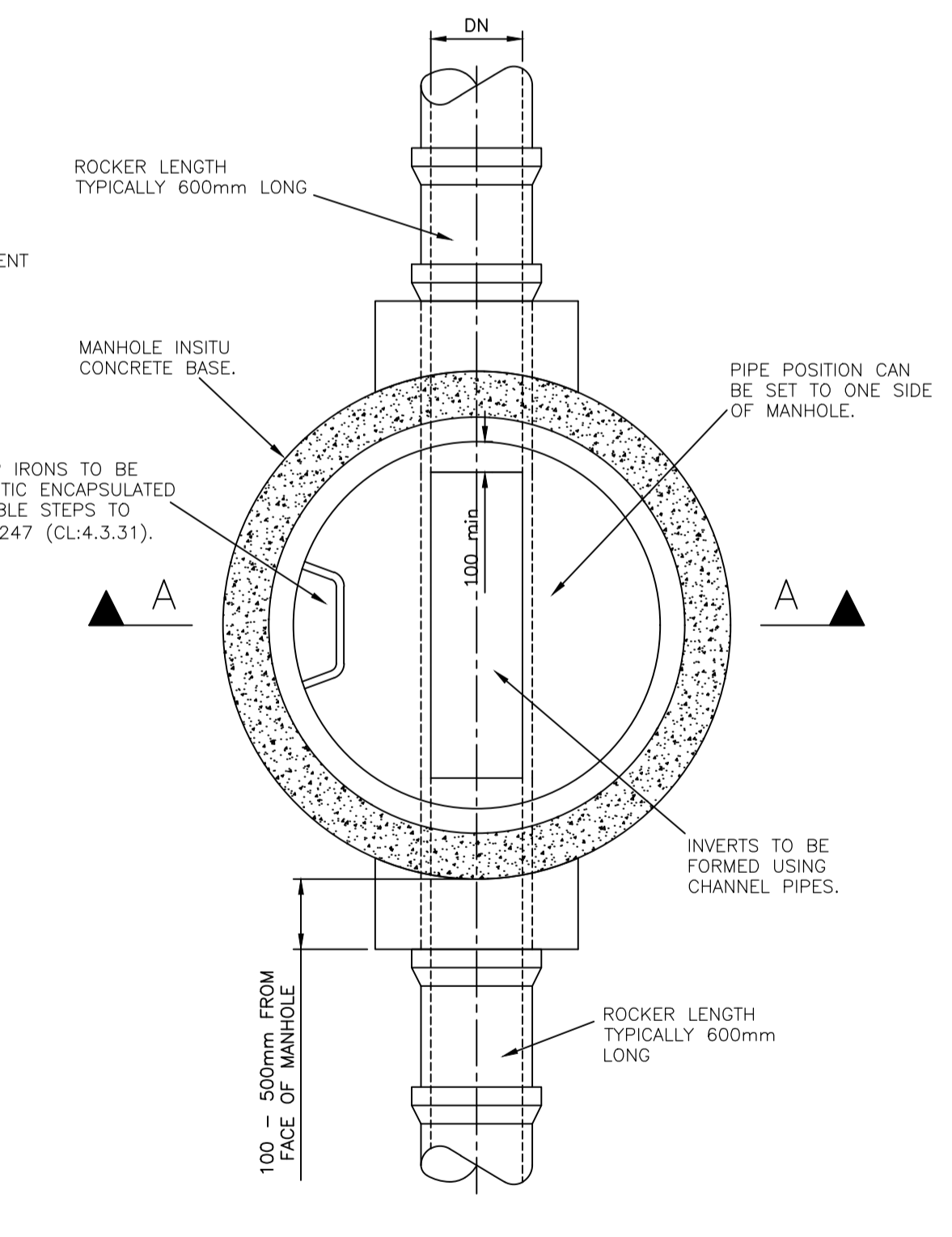
**TYPICAL TYPE 'B' PRECAST CONCRETE MANHOLE DETAIL SECTION A-A**  
DEPTH FROM GROUND LEVEL TO SOFFIT 1.5m - 3.0m  
(Scale 1:20)



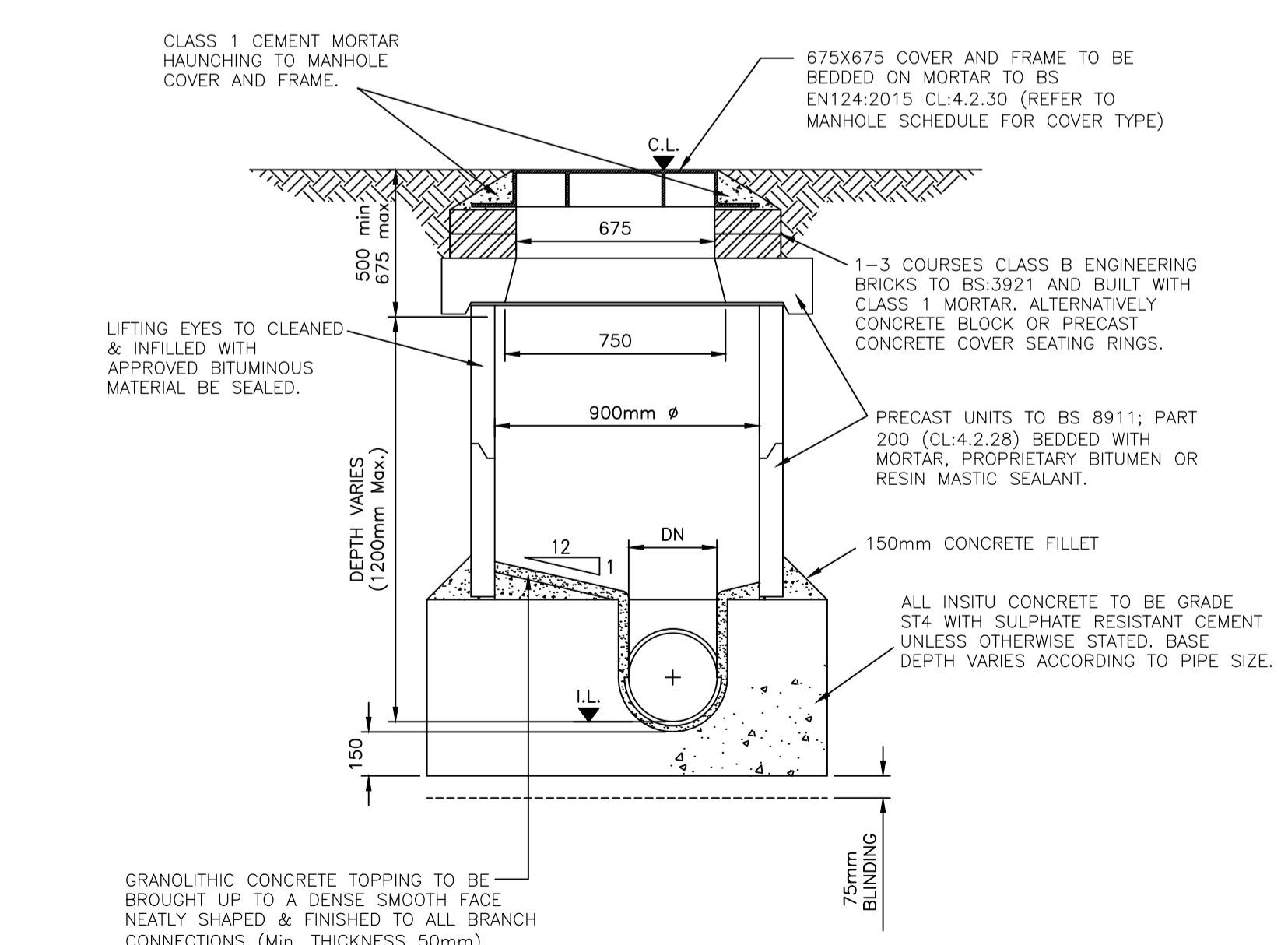
**TYPICAL CATCH PIT PRECAST CONCRETE SILT MANHOLE DETAIL SECTION C-C**  
DEPTH FROM GROUND LEVEL TO SOFFIT 1.5m - 3.0m  
(Scale 1:20)



**TYPICAL CATCH PIT PRECAST CONCRETE MANHOLE DETAIL PLAN SECTION D-D**  
DEPTH FROM GROUND LEVEL TO SOFFIT 1.5m - 3.0m  
(Scale 1:20)



**TYPICAL TYPE 'B' PRECAST CONCRETE MANHOLE DETAIL PLAN SECTION B-B**  
DEPTH FROM GROUND LEVEL TO SOFFIT 1.5m - 3.0m  
(Scale 1:20)



**TYPICAL PRECAST MANHOLE INSPECTION CHAMBER**  
DEPTH FROM GROUND LEVEL TO SOFFIT 1.2m - 1.5m  
(Scale 1:20)

**GENERAL MANHOLE NOTES**

- 1 ALL WORKS TO BE CARRIED OUT IN ACCORDANCE WITH RELEVANT CODES OF PRACTICE AND WELSH BUILDING STANDARDS TO THE APPROVAL OF THE LOCAL AUTHORITIES INSPECTOR.
- 2 ALL DIMENSIONS ARE IN MILLIMETERS AND ALL LEVELS ARE IN METERS.
- 3 MANHOLE COVERS WITHIN TRAFFICKED AREAS TO BE SAINT-GOBAIN, INTER-AX D400-N, HEAVY DUTY, DOUBLE TRIANGULAR, DUCTILE IRON TO BS:EN 124, 600x600 CLEAR OPENING, NON ROCK, LOCKABLE COVER OR EQUAL APPROVED.
- 4 MANHOLE COVERS IN AREAS ACCESSIBLE TO PEDESTRIANS ONLY TO BE SAINT-GOBAIN, TROJAN MEDIUM DUTY B125, SINGLE PIECE, DUCTILE IRON TO BS:EN 124, 600x600 CLEAR OPENING, SCREW DOWN COVER OR EQUAL APPROVED.
- 5 ALL MANHOLE & ACCESS COVERS WITHIN BUILDING FOOTPRINT TO BE DOUBLED SEALED. COVERS IN OPEN SPACE TO BE VENTILATED. REFER TO MANHOLE SCHEDULE FOR TYPE AND LOCATION.
- 6 FIRST FLEXIBLE JOINTS IN PIPES ADJACENT TO A MANHOLE SHALL BE A MAXIMUM OF 600mm FROM INSIDE FACE OF MANHOLE, CONNECTING TO ROCKER PIPE. REFER TO MANHOLE DIMENSIONS TABLE FOR ROCKER PIPE LENGTH.
- 7 MANHOLE CHAMBERS RINGS SHALL BE PRECAST UNITS TO BS:8911;PART 200 (CL:4.2.28) BEDDED WITH MORTAR, PROPRIETARY BITUMEN OR RESIN MASTIC SEALANT OR OTHER SIMILAR APPROVED MATERIAL APPLIED IN ACCORDANCE WITH THE MANUFACTURERS INSTRUCTIONS.
- 8 THE LOWEST CHAMBER RING BEARING ON THE FOUNDATION AND THE HIGHEST CHAMBER RING RECEIVING THE COVER SLAB SHALL HAVE PLAIN ENDS AND BE BEDDED IN MORTAR.
- 9 MANHOLE ACCESS HOLE AND STEP IRON POSITIONS TO BE LOCATED TO GIVE GREATEST FREE AREAS OF BENCHING IMMEDIATELY BELOW.
- 10 STEP IRONS NOT TO PROTRUDE INTO 675 SQUARE ACCESS OPENING SHAFT COVER SLAB. STEP IRONS TO BE PLASTIC ENCAPSULATED DOUBLE STEPS TO BS:1247 (CL:4.3.31).
- 11 TOP STEP IRON TO BE LOCATED NOT LESS THAN 500 AND NOT GREATER THAN 675 FROM THE FINISHED MANHOLE COVER LEVEL.
- 12 CONCRETE FOUNDATION TO BE SCRABBLED BEFORE PLACING BENCHING.
- 13 WHERE OUTLET PIPE DIAMETER IS GREATER THAN INLET, PIPE SOFFIT TO BE THE SAME LEVEL UNLESS NOTED OTHERWISE. A MINIMUM FALL OF 50mm SHOULD BE ACHIEVED ACROSS MANHOLE IN DIRECTION OF FLOW.
- 14 GRANOLITHIC CONCRETE TOPPING TO BE BROUGHT UP TO A DENSE SMOOTH FACE NEATLY SHAPED & FINISHED TO ALL BRANCH CONNECTIONS (Min. THICKNESS 50mm).
- 15 BENCHING SHALL BE TROWEL SMOOTH AND SLOPED TOWARDS THE CHANNEL AT 1 IN 12.
- 16 SELF CLEANING TOE HOLES TO BE PROVIDED WHERE CHANNELS EXCEED 600mm WIDE.
- 17 BRANCH BENDS AND BENCHING TO BE CURVED IN THE DIRECTION OF FLOW AND FORMED FROM GRANOLITHIC CONCRETE, HIGH STRENGTH CONCRETE TOPPING OR WITH GRADE ST3 CONCRETE TOWELED SMOOTH MONOLITHICALLY WITH THE BASE SLAB.
- 18 MANHOLES WITH OUTGOING PIPES GREATER THAN 450mm DIAMETER SHALL BE FITTED WITH GUARD BARS, SAFETY CHAINS OR OTHER SAFETY DEVICES.
- 19 ALL PRECAST CONCRETE PRODUCTS (i.e. PIPES, MANHOLE RINGS etc.) SHALL BE TO DESIGN SULPHATE CLASS DS-2 AND CHEMICAL DESIGN DC-3, IN ACCORDANCE WITH BRE SPECIAL DIGEST 1 AND BS:5911.
- 20 REFER TO SITE INVESTIGATION REPORT OR STRUCTURAL FOUNDATION DRAWINGS FOR IN-STU CONCRETE SULPHATE CLASSIFICATION.

PLANNING				
REV	DESCRIPTION	BY	CHK	DATE

**HARLEY HADDOW CONSULTING ENGINEERS**  
Suite 4/3, The SkyPark, 8 Elliot Place, Glasgow, G3 8EP  
T: +44 (0) 141 332 3031  
Email: gias@harleyhaddow.com  
www.harleyhaddow.com  
Association of Consulting Engineers Member Firm  
Edinburgh | Glasgow | London | Doha

**Project:**  
Proposed Industrial Units  
Pant Industrial Estate  
Merthyr Tydfil, Wales

**Drawing Title:**  
Proposed Drainage  
Construction Details  
Sheet 01

Scale @ A1	Date	Engineer
1:20	February 2020	C.Connor
Drawing No.	305056-040	Revision
		-