

**PIPE BEDDING SPECIFICATION TABLE**  
(THIS TABLE TO BE READ IN CONJUNCTION WITH W.I.S. No. 4-08-02A:2008)

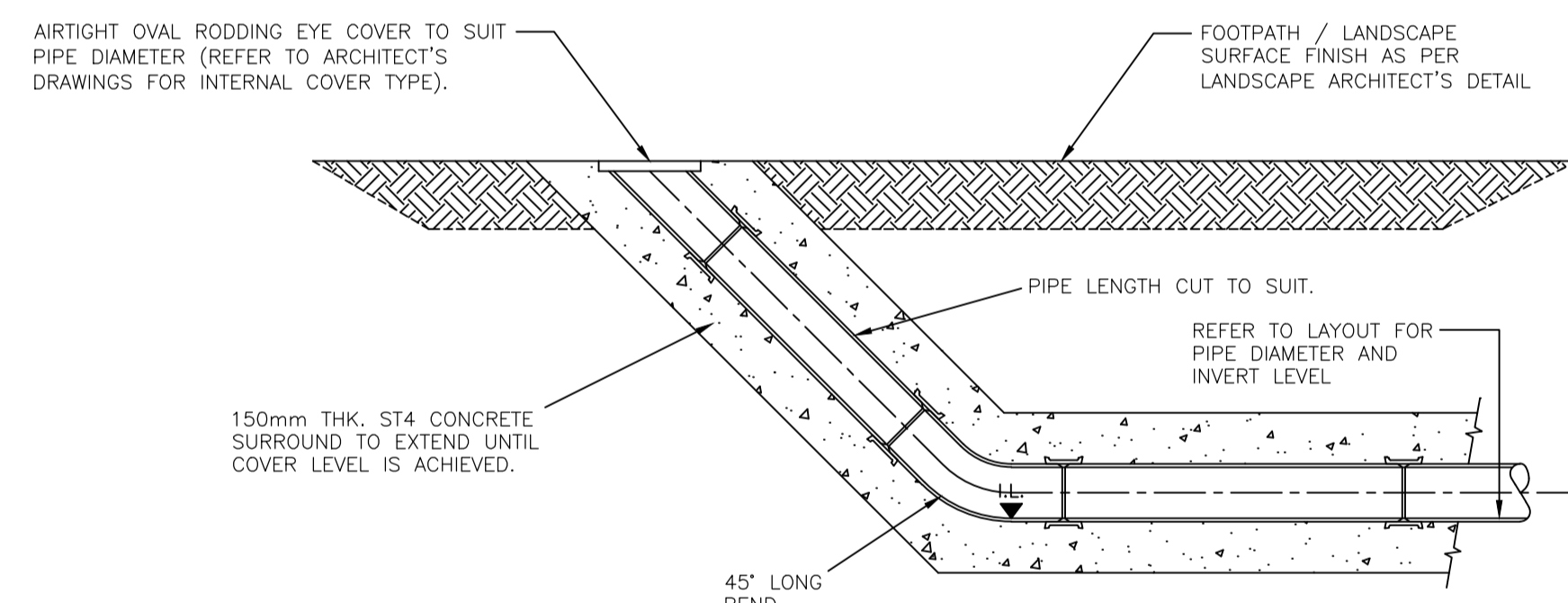
PIPE NOMINAL BORE	CLASS OF BEDDING	NOMINAL MAXIMUM PARTICLE SIZE	Max. CF VALUE NON-PRESSURE PIPE	Max. CF VALUE PRESSURE PIPE	MATERIALS SPECIFIED IN BRITISH STANDARDS
100mm	's'	10mm	0.15 0.30	0.30	10mm NOMINAL SINGLE SIZE
100 - 150mm	's'	15mm	0.15 0.30	0.30	10 OR 14mm NOMINAL SINGLE SIZE OR 14mm TO 5mm GRADED
150 - 300mm	's'	20mm	0.15 0.30	0.30	10, 14 OR 20mm NOMINAL SINGLE SIZE OR 14mm TO 5mm GRADED OR 20mm TO 5mm GRADED
300 - 550mm	's'	20mm	0.15 0.30	0.30	14 OR 20mm NOMINAL SINGLE SIZE OR 14mm TO 5mm GRADED OR 20mm TO 5mm GRADED
<550mm	's'	40mm	0.15 0.30	0.30	14, 20 OR 40mm NOMINAL SINGLE SIZE OR 14mm TO 5mm GRADED OR 20mm TO 5mm GRADED OR 40mm TO 5mm GRADED

**PIPE BEDDING REQUIREMENT**

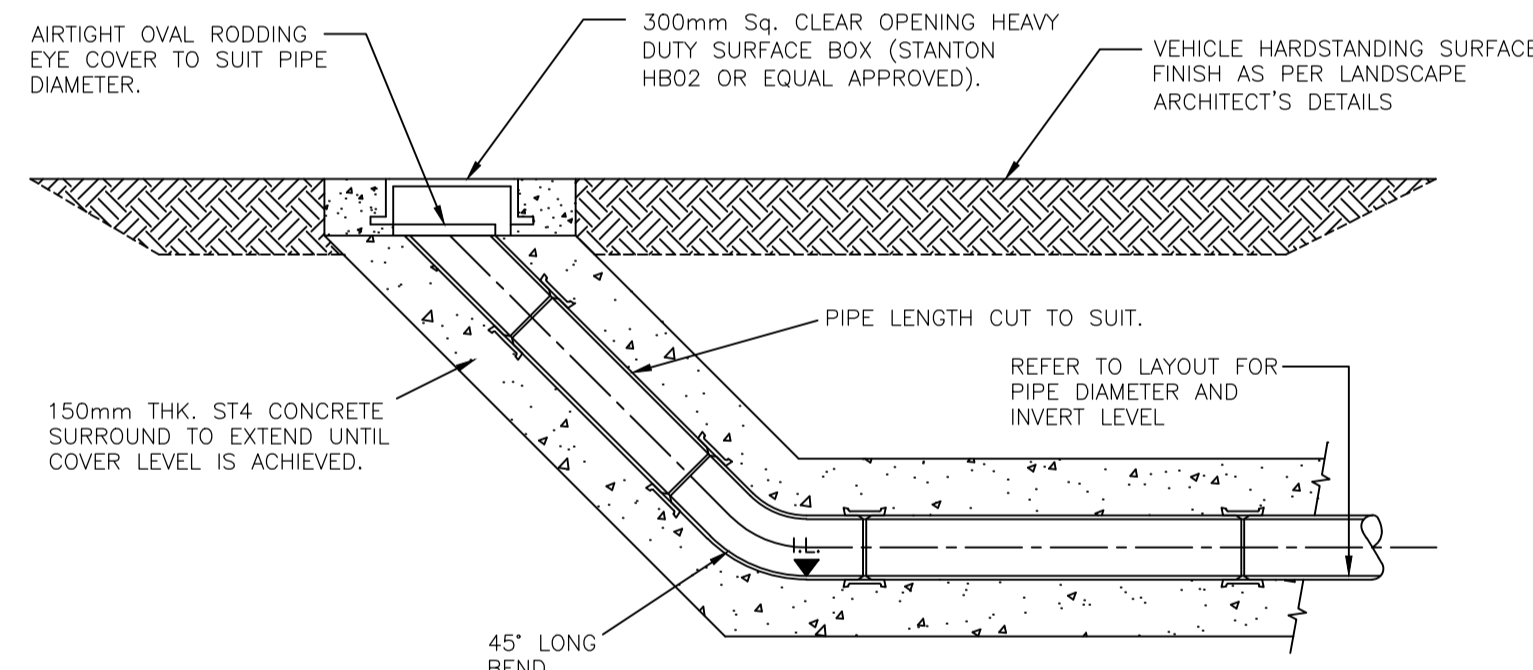
LOCATION	COVER TO PIPE SOFFIT	BEDDING TYPE
ROADS (ADOPTED SEWERS)	>1.2m	CLASS 'S' GRANULAR BED & SURROUND
	<1.2m	CONCRETE SURROUND
	<1.5m	CONCRETE SURROUND
UNDER BUILDING SLAB	>0.45m	CLASS 'B' GRANULAR BED & SURROUND
	<0.45m	CONCRETE SURROUND

**PIPE TYPE & BEDDING NOTES**

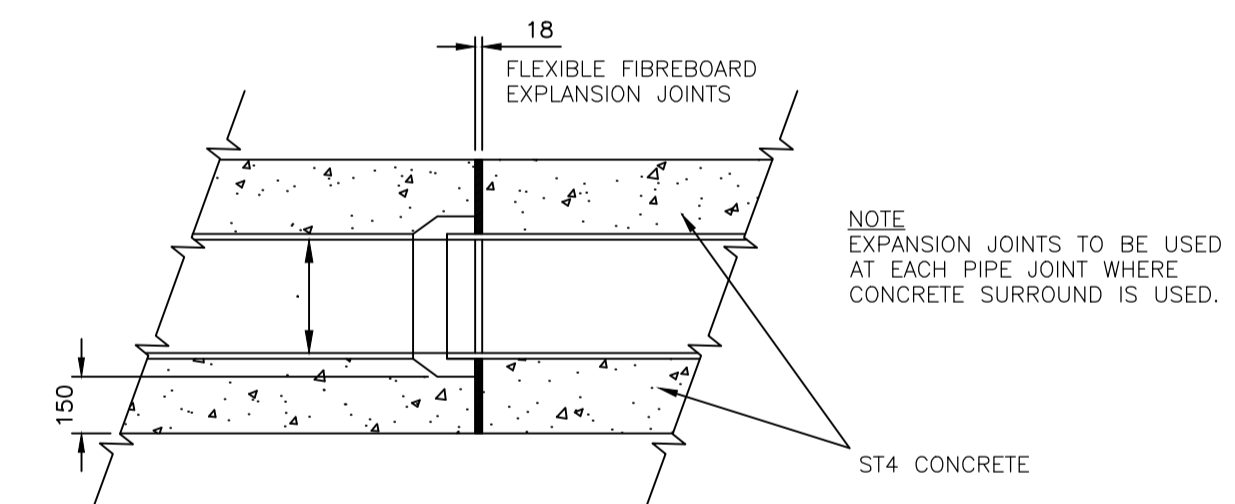
- THE FOLLOWING PIPE STRENGTHS SHALL BE ADOPTED UNLESS NOTED OTHERWISE:-  
uPVC SHALL BE DOUBLE STRUCTURED WALL SEWER PIPE SHALL COMPLY WITH THE RELEVANT PROVISIONS OF WIS-4-35-01 IN ACCORDANCE WITH BS EN1401 PE 1 2009.  
uPVC JOINTS & FITTINGS FOR GRAVITY SEWERS SHALL COMPLY WITH THE RELEVANT PROVISIONS OF BS:4346 Part 3, AND BS:4660:2000, SOLVENT CEMENT MAY ALTERNATIVELY COMPLY WITH BS:6209.  
PIPES UP TO AND INCLUDING 300mm Ø TO BE UNPLASTICISED PVC DOUBLE STRUCTURED WALL UNLESS NOTED OTHERWISE.  
PIPES ABOVE 300mm Ø TO BE CLASS M CONCRETE UNLESS NOTED OTHERWISE.
- REFER TO LAYOUT PLAN FOR PIPEWORK TYPE & LOCATION.
- WHERE COVER IS LESS THAN 1.2m Dp BELOW TRAFFICKED AREA OR 0.9m DP BELOW LANDSCAPE AREAS SHALL BE PROVIDED WITH CONCRETE SURROUND TO COMPLY WITH BS:5955 Part 6 REQUIREMENT OR THE ALTERNATIVE CONCRETE SURROUND DETAIL SHOULD BE ADOPTED.
- ALL WORK AND MATERIAL TO COMPLY WITH THE SEWERS FOR SCOTLAND 3rd EDITION.
- SPECIFICATION FOR BEDDING AND SIDEWALL MATERIALS TO BE WATER INDUSTRY SPECIFICATION (WIS) 4-08-02A:2008
- BACKFILL SHALL BE UNIFORM READILY COMPATIBLE MATERIAL FREE FROM VEGETABLE MATTER, BUILDING RUBBISH, FROZEN SOIL, MATERIAL SUSCEPTIBLE TO SPONTANEOUS COMBUSTION & CLAY LUMPS & STONE RETAINED ON 75mm SIEVE & 37.5mm SIEVE RESPECTIVELY.
- ALL PIPE RUNS TO BE LAID WITH FLEXI-JOINTS.
- ALL PIPE BENDS TO SUIT DIRECTION OF FLOW.
- FOR DETAILS OF GROUND CONDITIONS REFER TO GROUND INVESTIGATION REPORT.



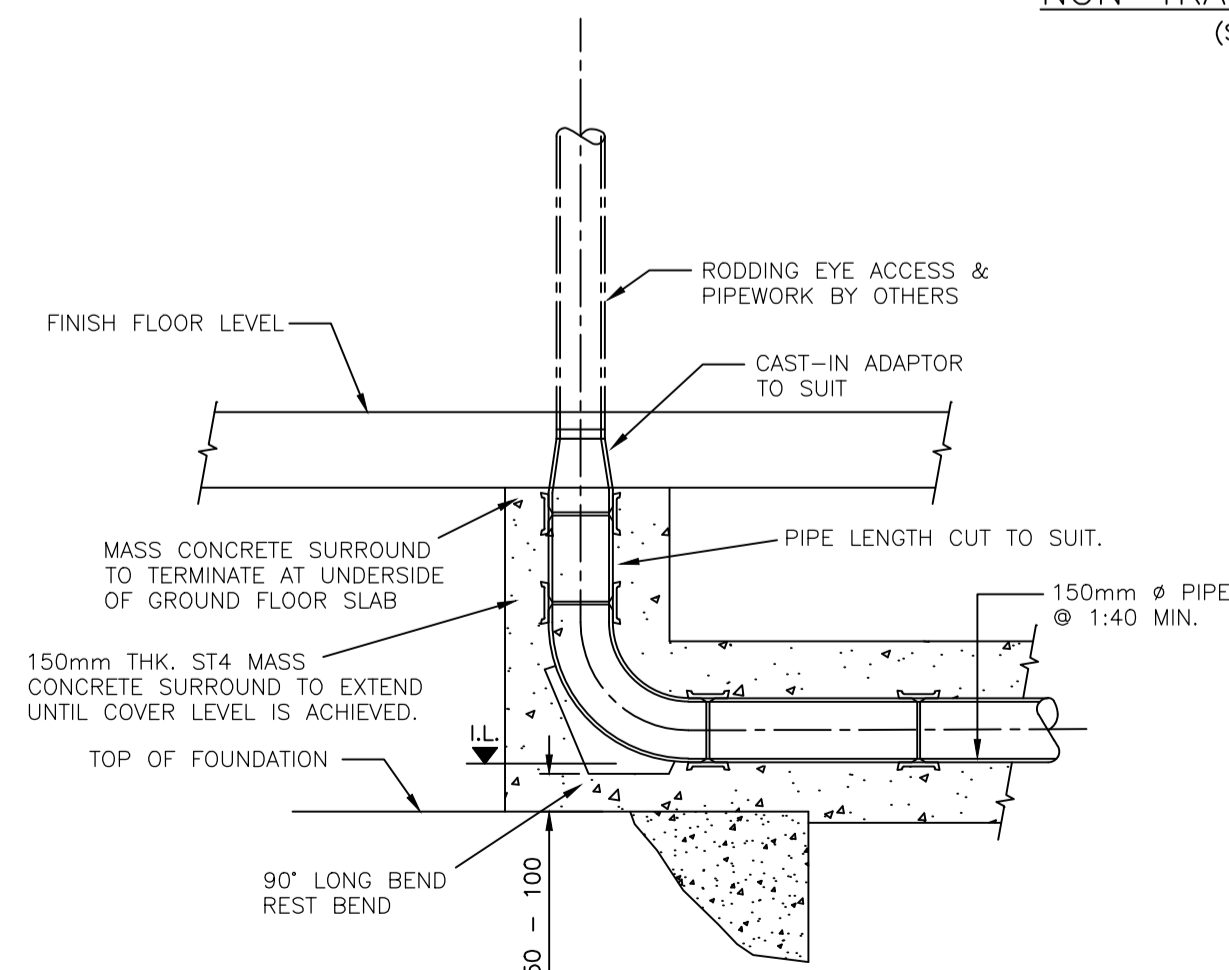
**TYPICAL RODDING EYE DETAIL NON-TRAFFICKED AREAS**  
(Scale 1:20)



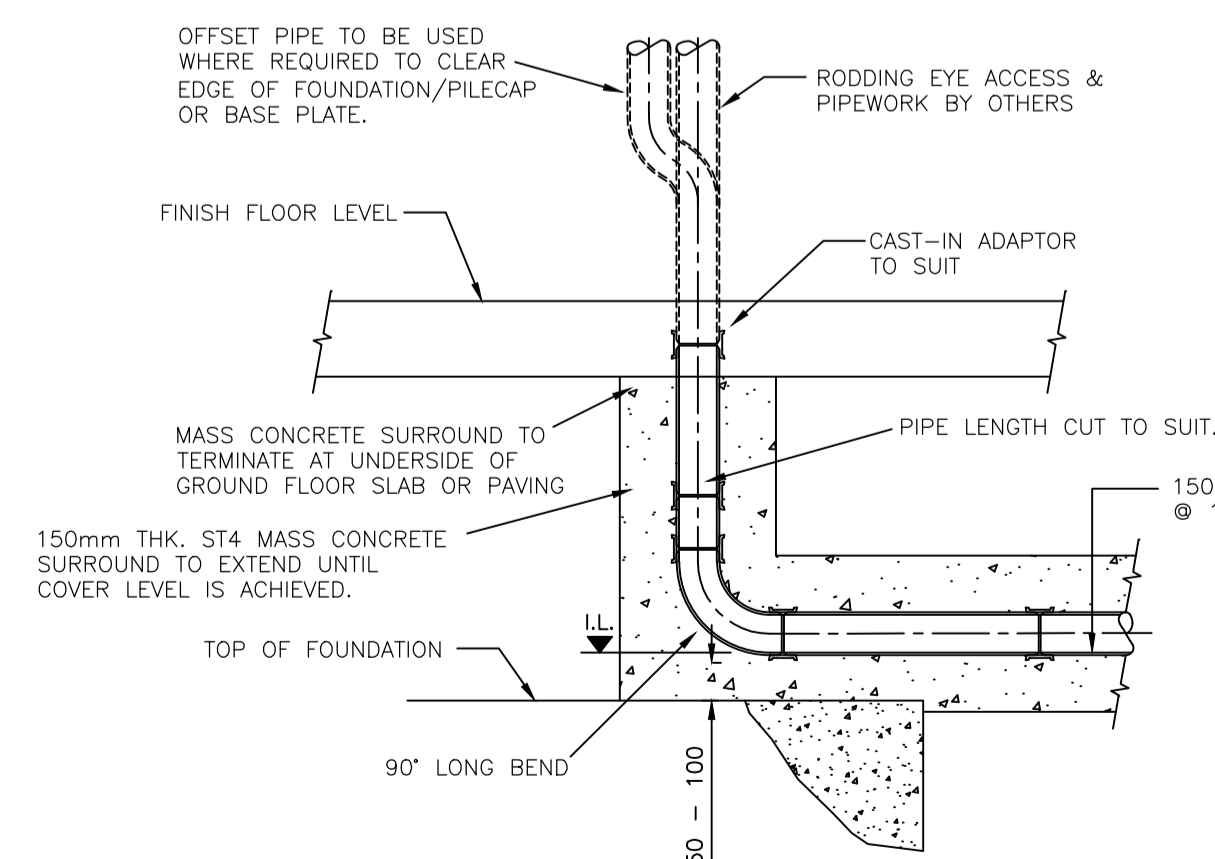
**TYPICAL RODDING EYE DETAIL TRAFFICKED AREAS**  
(Scale 1:20)



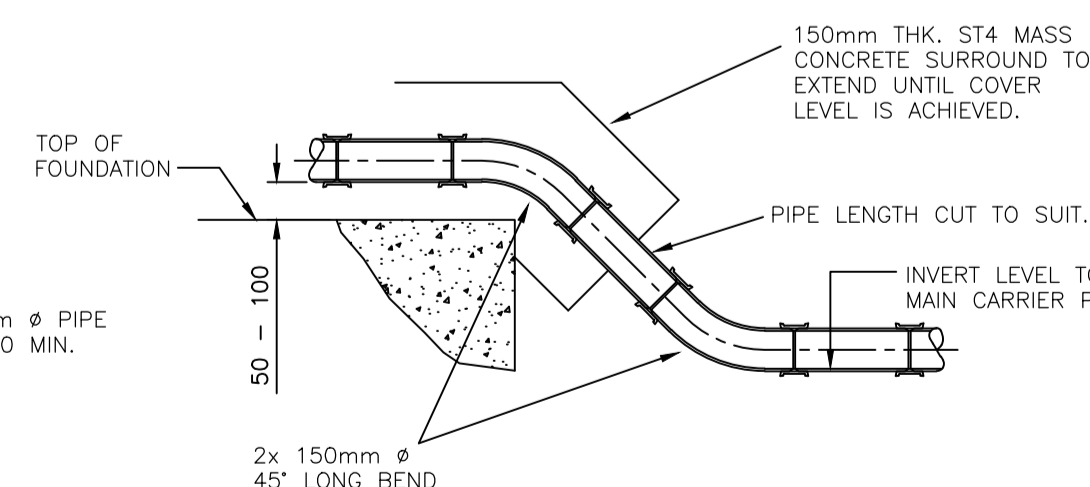
**SECTION THRO' EXPANSION JOINT IN CONCRETE SURROUND**  
(SCALE 1:20)



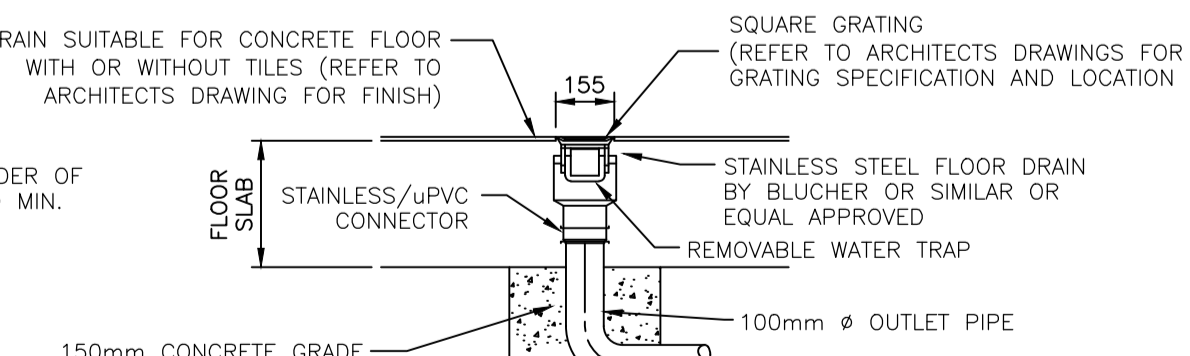
**TYPICAL SOIL VENT PIPE OUTLET DETAIL**  
(Scale 1:20)



**TYPICAL RAINWATER DOWNPIPE OUTLET DETAIL**  
(Scale 1:20)



**TYPICAL PIPE DETAIL OVER FOUNDATION**  
(Scale 1:20)



**FLOOR GULLY**  
(Scale: 1:20)

**PLANNING**

REV	DESCRIPTION	BY	CHK	APP	DATE

**HARLEY HADDOW CONSULTING ENGINEERS**  
Suite 4/3, The SkyPark, 8 Elliot Place, Glasgow, G3 8EP  
Email: gha@harleyhaddow.com  
www.harleyhaddow.com  
Association of Consulting Engineers Member Firm  
Edinburgh | Glasgow | London | Doha

**Project:**  
Proposed Industrial Units  
Pant Industrial Estate  
Merthyr Tydfil, Wales

**Drawing Title:**  
Proposed Drainage  
Construction Details  
Sheet 02

Scale @	A1	Date	February 2020	Engineer	C.Connor
Drawing No.	305056-041			Revision	-