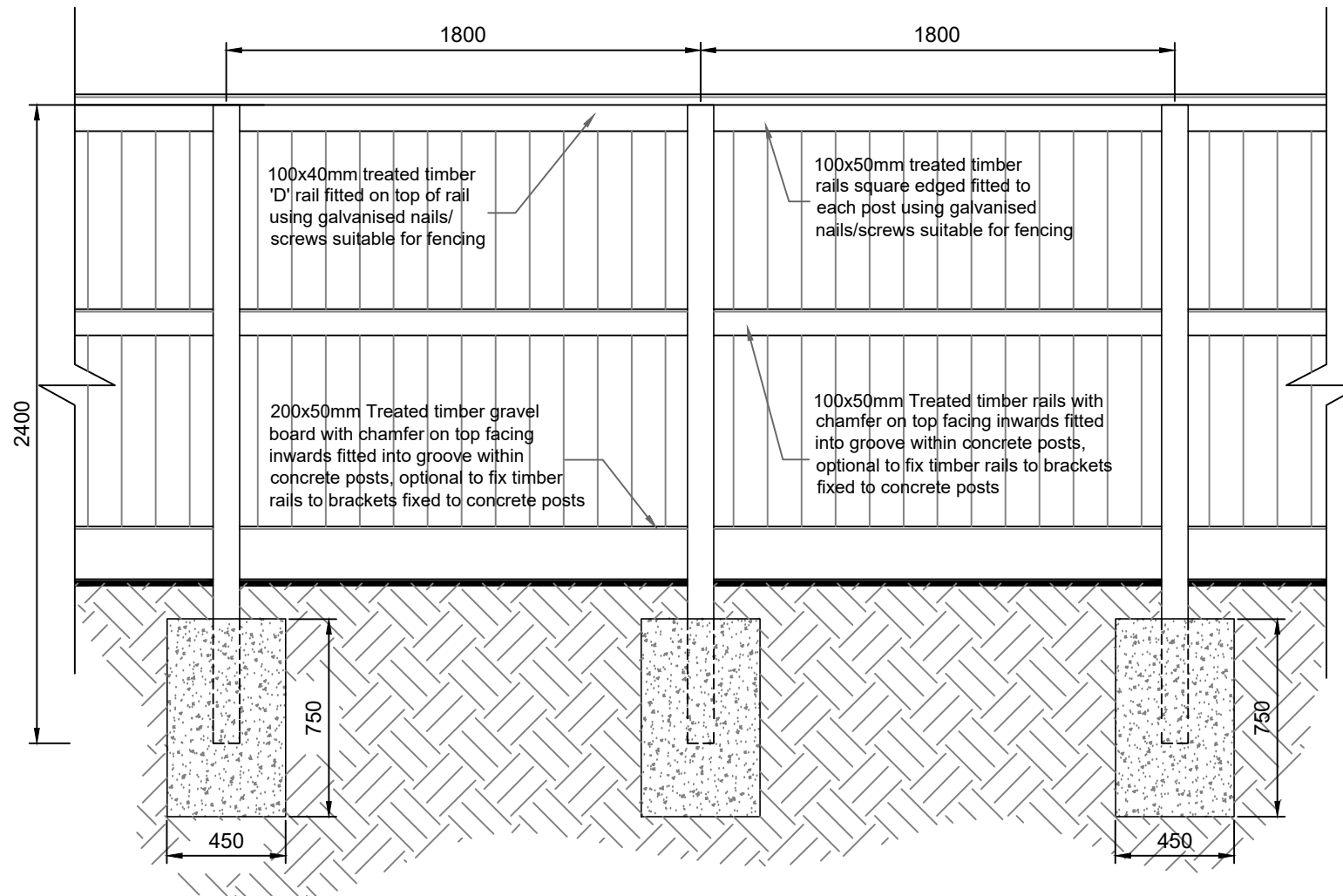


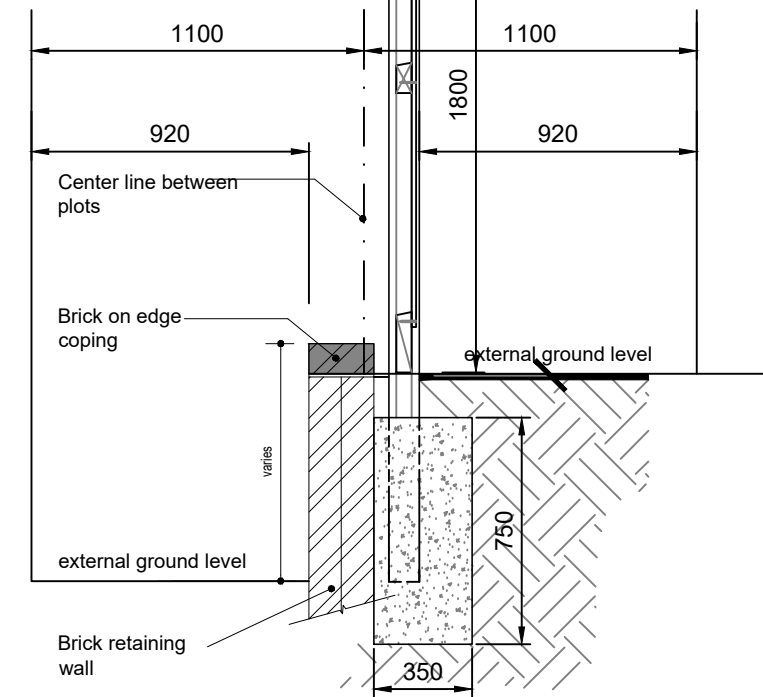
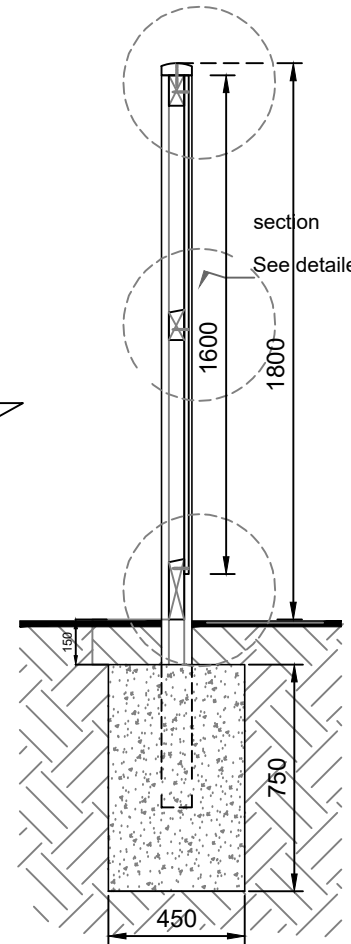
# TYPICAL TIMBER FENCING DETAILING & SPECIFICATION

Notes:  
 FENCING SPECIFICATION TO B.S 1722-5: 2006  
 CONCRETE POST SPECIFICATION TO BS EN 12839: 2012

Note: Contractor to provide details of pre-cast reinforced concrete post type including fixing method



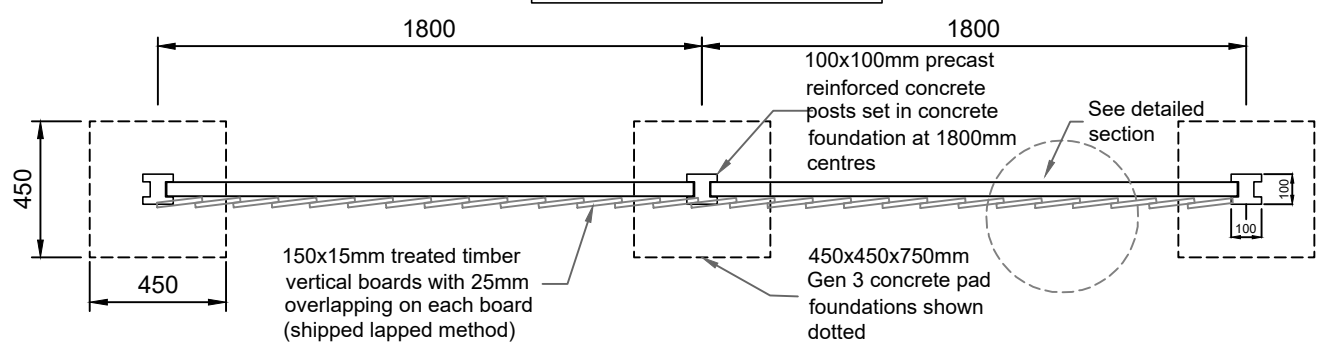
Overall Fencing Height: 2000mm.  
 Boards laid vertically: 150x15mm (1.8m lengths)  
 25mm overlapping on each board, Tops cut square.  
 Timber Rails: 100x50mm (1.8m / 3.6m lengths) with chamfered edge to centre rail, square edged to top rail.  
 'D' Rail Capping: 100x40mm fitted on top of boards, rail.  
 Concrete Posts: 100x100mm set at 1800mm centres.  
 Gravel / Kick Board: Timber 200x50mm (1.8m / 3.6m lengths) with chamfered edge.  
 Concrete foundation: 450x450mm wide x 750mm deep - Gen 3 mix.  
 Top of concrete pad set at 150mm below ground surface.  
 Preservative Measures: Treated timber suitable for fencing.  
 Fixings: Galvanized nails, screws suitable for fencing.



Typical Fencing Elevation [Scale:1:25](#)

Typical Fencing Sections [Scale:1:25](#)

Note: Contractor to provide details of pre-cast reinforced concrete post type including fixing method



Typical Fencing Plan [Scale:1:25](#)

Note: Drawings to be read in conjunction with the Schedule of Employer's Requirement's as part of the NBS Specification - All fencing / gates to comply with Secured by Design requirements

REV.	DESCRIPTION	DATE
CLIENT		
Wales & West HA		
DRAWING TITLE		
External Details		
1800mm Close Board Fence with Concrete Posts		
SCALE	DATE	DRAWN BY
1:25@A3	Jul '23	HA Ltd
DRAWING NO.	REVISION	TYPE
2316-D02	.	PLN



10 Gold Tops  
 Newport NP20 4PH  
 t. 01633 844970  
 e. info@hammond-ltd.co.uk

[www.hammond-ltd.co.uk](http://www.hammond-ltd.co.uk)

© Hammond Architectural Limited 2023  
 Figured dimensions must be taken in preference to scaled dimensions and any discrepancies are to be referred to Hammond Architectural Ltd. Contractors, subcontractors and suppliers must verify all dimensions on site before commencing any work or making any workshop drawings.