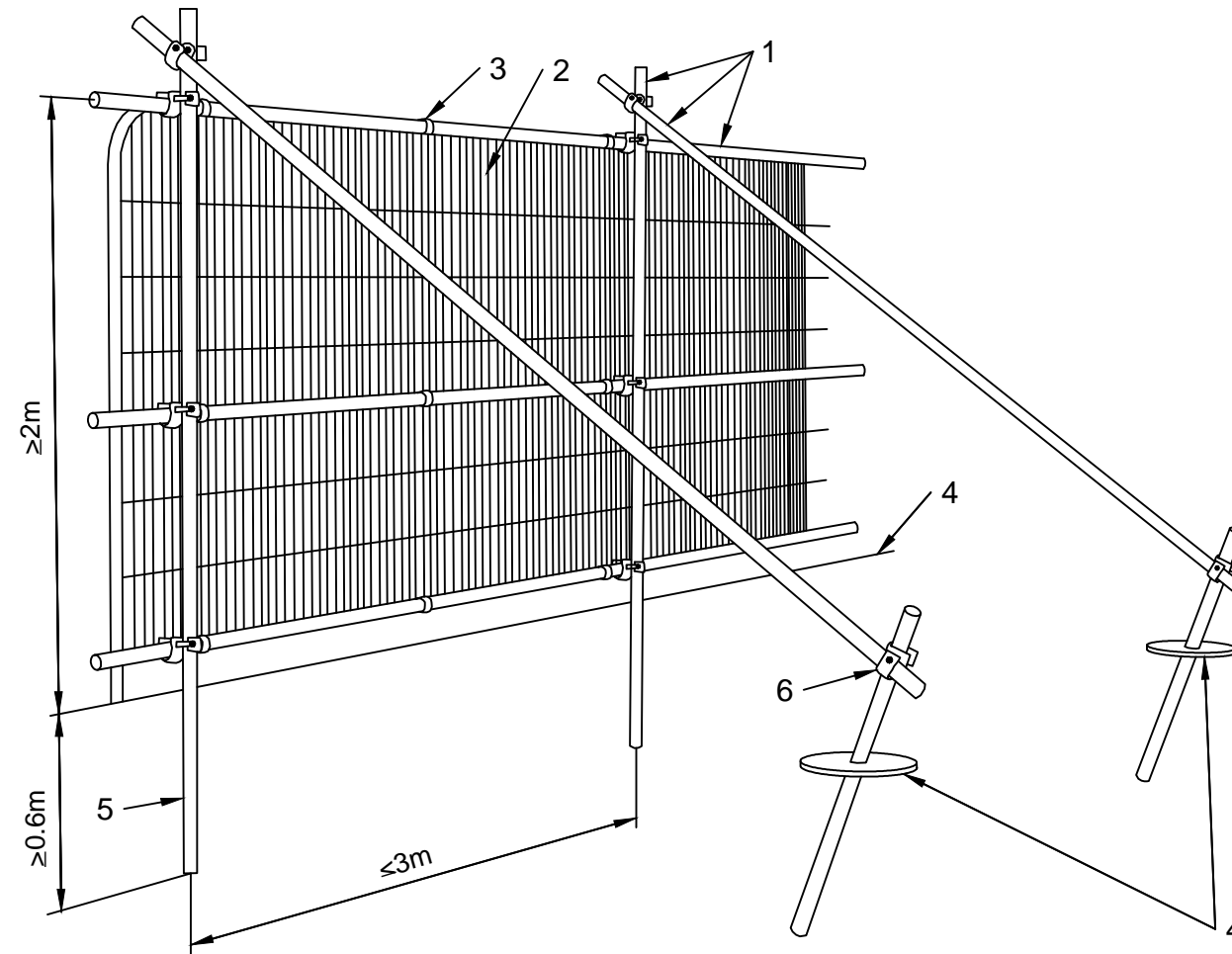


Figure 2 Default specification for protective barrier



Key

- 1 Standard scaffold poles
- 2 Heavy gauge 2m tall galvanized tube and welded mesh infill panels
- 3 Panels secured to uprights and cross-members with wire ties
- 4 Ground level
- 5 Uprights driven into the ground until secure (minimum depth 0.6m)
- 6 Standard scaffold clamps