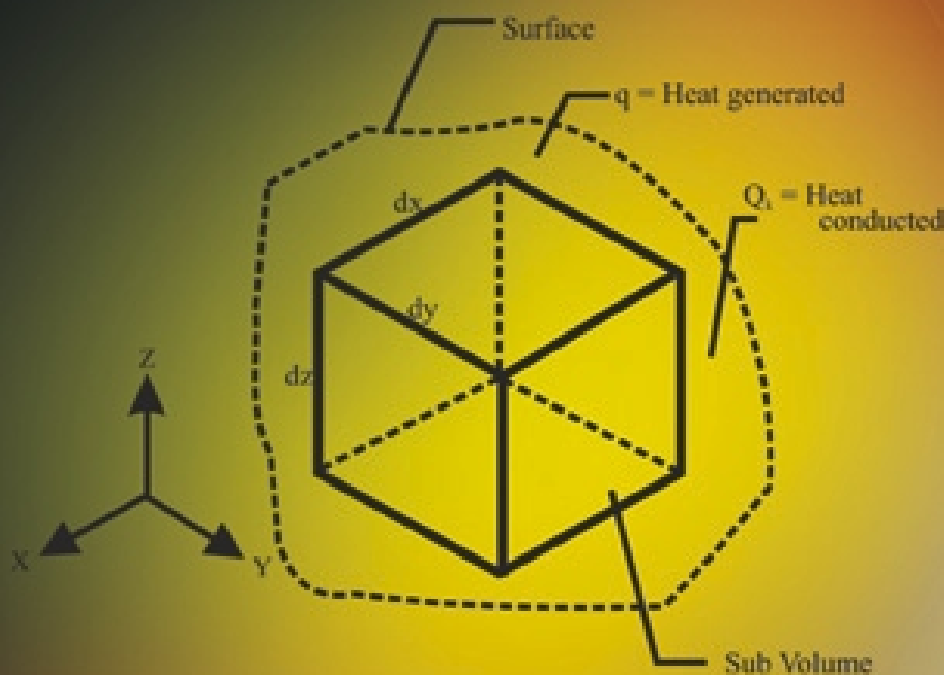


Revised Third Edition

Fundamentals of Heat and Mass Transfer



C.P. Kothandaraman



NEW AGE INTERNATIONAL PUBLISHERS

Fundamentals of
Heat and Mass
Transfer

**This page
intentionally left
blank**

Fundamentals of Heat and Mass Transfer

Revised Third Edition

C.P. Kothandaraman

Professor of Mechanical Engineering (Retired),
P.S.G. College of Technology,
Coimbatore



PUBLISHING FOR ONE WORLD

NEW AGE INTERNATIONAL (P) LIMITED, PUBLISHERS

New Delhi • Bangalore • Chennai • Guwahati • Hyderabad

Jalandhar • Kolkata • Lucknow • Mumbai • Ranchi

Visit us at www.newagepublishers.com

Copyright © 2006, 1999, 1994, New Age International (P) Ltd., Publishers
Published by New Age International (P) Ltd., Publishers

All rights reserved.

No part of this ebook may be reproduced in any form, by photostat, microfilm, xerography, or any other means, or incorporated into any information retrieval system, electronic or mechanical, without the written permission of the publisher.
All inquiries should be emailed to rights@newagepublishers.com

ISBN (13) : 978-81-224-2642-7

PUBLISHING FOR ONE WORLD

NEW AGE INTERNATIONAL (P) LIMITED, PUBLISHERS

4835/24, Ansari Road, Daryaganj, New Delhi - 110002

Visit us at www.newagepublishers.com

PREFACE TO THE THIRD EDITION

Professor Obert has observed in his famous treatise on Thermodynamics that concepts are better understood by their repeated applications to real life situations. A firm conviction of this principle has prompted the author to arrange the text material in each chapter in the following order.

In the first section after enunciating the basic concepts and laws mathematical models are developed leading to rate equations for heat transfer and determination of temperature field, simple and direct numerical examples are included to illustrate the basic laws. More stress is on the model development as compared to numerical problems.

A section titled "SOLVED PROBLEMS" comes next. In this section more involved derivations and numerical problems of practical interest are solved. The investigation of the effect of influencing parameters for the complete spectrum of values is attempted here. Problems involving complex situations are shown solved in this section. Two important ideas are stressed in this section. These are checking of dimensional homogeneity in the case of all equations derived and the validation of numerical answers by cross checking. This concept of validation in professional practice is a must in all design situations.

In the next section objective type questions are given. These are very useful for understanding the basis and resolving misunderstandings.

In the final section a large number of graded exercise problems involving simple to complex situations are included.

In the first of the 14 chapters the basic laws for the three modes of heat transfer are introduced and the corresponding rate equations are developed. The use of electrical analogy is introduced and applied to single and multimode heat transfer situations. The need for iterative working is stressed in the solved problems.

The second chapter deals with one dimensional steady state conduction. Mathematical models are developed by the three geometries namely Plate, Hollow Cylinder and Hollow Sphere. Multilayer insulation is also discussed. The effect of variation of thermal conductivity on heat transfer and temperature field is clearly brought out. Parallel flow systems are discussed. Examples on variation of area along the heat flow direction are included. The use of electrical analogy is included in all the worked examples. The importance of calculating the temperature gradient is stressed in many of the problems.

In the third chapter models for conduction with heat generation are developed for three geometric configurations namely plate, cylinder and sphere. The effect of volume to surface area and the convection coefficient at the surface in maintaining lower material temperature is illustrated. Hollow cylindrical shape with different boundary conditions is discussed. Conduction with variable heat generation rate is also modelled.

Fins/extended surface or conduction-convection situation is discussed in the fourth chapter. Models for heat transfer and temperature variation are developed for four different

boundary conditions. Optimisation of the shape of the fin of specified volume for maximum heat flow is discussed. Circumferential fins and variable area fins are analysed. The use of numerical method is illustrated. Error in measurement of temperature using thermometer is well discussed. The possibility of measurement of thermal conductivity and convective heat transfer coefficient using fins is illustrated.

Two dimensional steady state conduction is discussed in the fifth chapter. Exact analysis is first developed for two types of boundary conditions. The use of numerical method is illustrated by developing nodal equations. The concept and use of conduction shape factor is illustrated for some practical situations.

One dimensional transient (unsteady) heat conduction is discussed in Chapter 6. Three types of models arise in this case namely lumped heat capacity system, semi-infinite solid and infinite solid. Lumped heat capacity model for which there are a number of industrial applications is analysed in great detail and problems of practical interest are shown solved. The condition under which semi-infinite solid model is applicable as compared to infinite solid model is clearly explained. Three types of boundary conditions are analysed. Infinite solid model for three geometric shapes is analysed next. The complexity of the analytical solution is indicated. Solution using charts is illustrated in great detail. Real solids are of limited dimensions and these models cannot be applied directly in these cases. In these cases product solution is applicable. A number of problems of practical interest for these types of solids are worked out in this section. In both cases a number of problems are solved using numerical methods. Periodic heat flow problems are also discussed.

Concepts and mechanism of convection are discussed in the seventh chapter. After discussing the boundary layer theory continuity, momentum and energy equations are derived. Next the different methods of solving these equations are discussed. In addition to the exact analysis approximate integral method, analogy method and dimensional analysis are also discussed and their applicability is indicated. General correlations for convective heat transfer coefficient in terms of dimensionless numbers are arrived at in this chapter.

In Chapter 8, in addition to the correlations derived in the previous chapter, empirical correlations arrived at from experimental results are listed and applied to flow over surfaces like flat plate, cylinder, sphere and banks of tubes. Both laminar and turbulent flows situation are discussed.

Flow through ducts is discussed in Chapter 9. Empirical correlations for various situations are listed. Flow developing region, fully developed flow conditions, constant wall temperature and constant wall heat flux are some of the conditions analysed. Flow through non-circular pipes and annular flow are also discussed in this chapter.

Natural convection is dealt with in Chapter 10. Various geometries including enclosed space are discussed. The choice of the appropriate correlation is illustrated through a number of problems. Combined natural and forced convection is also discussed.

Chapter 11 deals with phase change processes. Boiling, condensation, freezing and melting are discussed. Basic equations are derived in the case of freezing and melting and condensation. The applicable correlations in boiling are listed and their applicability is illustrated through numerical examples.

Chapter 12 deals with heat exchangers, both recuperative and regenerative types. The LMTD and NTU-effectiveness methods are discussed in detail and the applicability of these methods is illustrated. Various types of heat exchangers are compared for optimising the size.

Thermal radiation is dealt with in Chapter 13. The convenience of the use of electrical analogy for heat exchange among radiating surfaces is discussed in detail and is applied in almost all the solved problems. Gas radiation and multi-body enclosures are also discussed.

Chapter 14 deals with basic ideas of mass transfer in both diffusion and convection modes. A large number of problems with different fluid combinations are worked out in this chapter.

A large number of **short problems** and **fill in the blank type** and **true or false type** questions are provided to test the understanding of the basic principles.

Author

**This page
intentionally left
blank**

CONTENTS

	<i>Preface to the Third Edition</i>	v
1	AN OVERVIEW OF HEAT TRANSFER	1–25
	1.0 Introduction	1
	1.1 Heat Transfer	1
	1.2 Modes of Heat Transfer	2
	1.3 Combined Modes of Heat Transfer	8
	1.4 Dimensions and Units	10
	1.5 Closure	11
	<i>Solved Problems</i>	11
	<i>Exercise Problems</i>	22
2	STEADY STATE CONDUCTION	26–98
	2.0 Conduction	26
	2.1 The General Model for Conduction Study	26
	2.2 Steady Conduction in One Direction (One Dimensional)	30
	2.3 Conduction in Other Shapes	41
	2.4 One Dimensional Steady State Heat Conduction with Variable Heat Conductivity or Variable Area Along the Section	42
	2.5 Critical Thickness of Insulation	48
	2.6 Mean Area Concept	50
	2.7 Parallel Flow	51
	<i>Solved Problems</i>	53
	<i>Objective Questions</i>	92
	<i>Exercise Problems</i>	93
3	CONDUCTION WITH HEAT GENERATION	99–127
	3.0 Introduction	99
	3.1 Steady State One Dimensional Conduction in a Slab with Uniform Heat Generation	99
	3.2 Steady State Radial Heat Conduction in Cylinder with Uniform Heat Generation	103
	3.3 Radial Conduction in Sphere with Uniform Heat Generation	107
	3.4 Conclusion	109
	<i>Solved Problems</i>	110
	<i>Objective Questions</i>	125
	<i>Exercise Problems</i>	125

4	HEAT TRANSFER WITH EXTENDED SURFACES (FINS)	128–175
4.0	Introduction	128
4.1	Fin Model	129
4.2	Temperature Calculation	130
4.3	Heat Flow Calculation	134
4.4	Fin Performance	139
4.5	Circumferential Fins and Plate Fins of Varying Sections	142
4.6	Optimisation	145
4.7	Fin with Radiation Surroundings	146
4.8	Contact Resistance	146
4.9	Numerical Method	147
	<i>Solved Problems</i>	148
	<i>Objective Questions</i>	170
	<i>Exercise Problems</i>	172
5	TWO DIMENSIONAL STEADY HEAT CONDUCTION	176–201
5.0	Introduction	176
5.1	Solution to Differential Equation	176
5.2	Graphical Method	182
5.3	Numerical Method	184
5.4	Electrical Analogy	187
5.5	In the Finite Difference Formulation	187
	<i>Solved Problems</i>	188
	<i>Exercise Problems</i>	199
6	TRANSIENT HEAT CONDUCTION	202–284
6.0	Introduction	202
6.1	A Wall Exposed to the Sun	202
6.2	Lumped Parameter Model	203
6.3	Semi Infinite Solid	207
6.4	Periodic Heat Conduction	213
6.5	Transient Heat Conduction in Large Slab of Limited Thickness, Long Cylinders and Spheres	215
6.6.	Product Solution	227
6.7	Numerical Method	230
6.8	Graphical Method	233
	<i>Solved Problems</i>	234
	<i>Objective Questions</i>	278
	<i>Exercise Problems</i>	280

7	CONVECTION	285–333
	7.0 Introduction	285
	7.1 Mechanism of Convection	285
	7.2 The Concept of Velocity Boundary Layer	287
	7.3 Thermal Boundary Layer	289
	7.4 Laminar and Turbulent Flow	291
	7.5 Forced and Free Convection	292
	7.6 Methods Used in Convection Studies	293
	7.7 Energy Equation	299
	7.8 Integral Method	302
	7.9 Dimensional Analysis	303
	7.10 Analogical Methods	306
	7.11 Correlation of Experimental Results	307
	<i>Solved Problems</i>	308
	<i>Objective Questions</i>	331
	<i>Exercise Problems</i>	332
8	CONVECTIVE HEAT TRANSFER—PRACTICAL CORRELATIONS —FLOW OVER SURFACES	334–384
	8.0 Introduction	334
	8.1 Flow Over Flat Plates	334
	8.2 Turbulent Flow	343
	8.3 Flow Across Cylinders	348
	8.4 Flow Across Spheres	356
	8.5 Flow Over Bluff Bodies	359
	8.6 Flow Across Bank of Tubes	360
	<i>Solved Problems</i>	363
	<i>Objective Questions</i>	380
	<i>Exercise Problems</i>	381
9	FORCED CONVECTION	385–433
	9.0 Internal Flow	385
	9.1 Hydrodynamic Boundary Layer Development	386
	9.2 Thermal Boundary Layer	387
	9.3 Laminar Flow	388
	9.4 Turbulent Flow	399
	9.5 Liquid Metal Flow	402
	9.6 Flow Through Non-circular Sections	404
	9.7 The Variation of Temperature Along the Flow Direction	406
	<i>Solved Problems</i>	408
	<i>Objective Questions</i>	431
	<i>Exercise Problems</i>	432

10	NATURAL CONVECTION	434–479
10.0	Introduction	434
10.1	Basic Nature of Flow Under Natural Convection Conditions	435
10.2	Methods of Analysis	437
10.3	Integral Method	439
10.4	Correlations from Experimental Results	442
10.5	A More Recent Set of Correlations	446
10.6	Constant Heat Flux Condition—Vertical Surfaces	447
10.7	Free Convection from Inclined Surfaces	451
10.8	Horizontal Cylinders	454
10.9	Other Geometries	455
10.10	Simplified Expressions for Air	456
10.11	Free Convection in Enclosed Spaces	458
10.12	Rotating Cylinders, Disks and Spheres	459
10.13	Combined Forced and Free Convection	460
	<i>Solved Problems</i>	461
	<i>Objective Questions</i>	477
	<i>Exercise Problems</i>	477
11	PHASE CHANGE PROCESSES—BOILING, CONDENSATION FREEZING AND MELTING	480–520
11.0	Introduction	480
11.1	Boiling or Evaporation	480
11.2	The correlations	483
11.3	Flow Boiling	485
11.4	Condensation	488
11.5	Freezing and Melting	494
	<i>Solved Problems</i>	494
	<i>Objective Questions</i>	516
	<i>Exercise Problems</i>	518
12	HEAT EXCHANGERS	521–577
12.0	Introduction	521
12.1	Over All Heat Transfer Coefficient	521
12.2	Classification of Heat Exchangers	524
12.3	Mean Temperature Difference—Log Mean Temperature Difference	526
12.4	Regenerative Type	531
12.5	Determination of Area in Other Arrangements	531
12.6	Heat Exchanger Performance	535
12.7	Storage Type Heat Exchangers	547
12.8	Compact Heat Exchangers	550

Solved Problems 550
Objective Questions 572
Exercise Problems 574

13 THERMAL RADIATION **578–655**

13.0 Introduction 578
13.1 Black Body 579
13.2 Intensity of Radiation 583
13.3 Real Surfaces 584
13.4 Radiation Properties of Gases—Absorbing, Transmitting and Emitting Medium 587
13.5 Heat Exchange by Radiation 595
13.6 Radiant Heat Exchange Between Black Surfaces 604
13.7 Heat Exchange by Radiation Between Gray Surfaces 606
13.8 Effect of Radiation on Measurement of Temperature by a Bare Thermometer 613
13.9 Multisurface Enclosure 614
13.10 Surfaces Separated by an Absorbing and Transmitting Medium 617
Solved Problems 618
Objective Questions 648
Exercise Problems 650

14 MASS TRANSFER **656–701**

14.0 Introduction 656
14.1 Properties of Mixture 656
14.2 Diffusion Mass Transfer 657
14.3 Fick's Law of Diffusion 657
14.4 Equimolar Counter Diffusion 659
14.5 Stationary Media with Specified Surface Concentration 660
14.6 Diffusion of One Component into a Stationary Component or Unidirectional Diffusion 661
14.7 Unsteady Diffusion 661
14.8 Convective Mass Transfer 662
14.9 Similarity Between Heat and Mass Transfer 664
Solved Problems 664
Exercise Problems 680
Fill in the Blanks 682
State True or False 699
Short Questions 702
Appendix 707
References 712

**This page
intentionally left
blank**

Unit Conversion Constants

<i>Quantity</i>	<i>S.I. to English</i>	<i>English to S.I.</i>
Length	1 m = 3.2808 ft	1 ft = 0.3048 m
Area	1 m ² = 10.7639 ft ²	1 ft ² = 0.0929 m ²
Volume	1 m ³ = 35.3134 ft ³	1 ft ³ = 0.02832 m ³
Mass	1 kg = 2.20462 lb	1 lb = 0.4536 kg
Density	1 kg/m ³ = 0.06243 lb/ft ³	1 lb/ft ³ = 16.018 kg/m ³
Force	1 N = 0.2248 lb _f	1 lb _f = 4.4482 N
Pressure	1 N/m ² = 1.4504 × 10 ⁻⁴ lb _f /in ²	1 lb _f /in ² = 6894.8 N/m ²
Pressure	1 bar = 14.504 lb _f /in ²	1 lb _f /in ² = 0.06895 bar
Energy	1 kJ = 0.94783 Btu	1 Btu = 1.0551 kJ
(heat, work)	1 kW hr = 1.341 hp hr	1 hp hr = 0.7457 kW hr
Power	1 W = 1.341 × 10 ⁻³ hp	1 hp = 745.7 W
Heat flow	1 W = 3.4121 Btu/hr	1 Btu/hr = 0.29307 W
Specific heat	1 kJ/kg°C = 0.23884 Btu/lb°F	1 Btu/lb°F = 4.1869 kJ/kg°C
Surface tension	1 N/m = 0.068522 lb _f /ft	1 lb _f /ft = 14.5939 N/m
Thermal conductivity	1 W/m°C = 0.5778 Btu/hr ft°F	1 Btu/hrft°F = 1.7307 W/m°C
Convection coefficient	1 W/m ² °C = 0.1761 Btu/hrft ² °F	1 Btu/hr ft ² °F = 5.6783 W/m ² °C
Dynamic viscosity	1 kg/ms = 0.672 lb/fts = 2419.2 lb/ft hr	1 lb/fts = 1.4881 kg/ms or Ns/m ²
Kinematic viscosity	1 m ² /s = 10.7639 ft ² /s	1 ft ² /s = 0.092903 m ² /s
Universal gas const.	8314.41 J/kg mol K = 1545 ft lb _f /mol R = 1.986 B tu/lb mol R	
Stefan Boltzmann const.	5.67 W/m ² K ⁴ = 0.174 Btu/hr ft ² R ⁴	

<i>Quantity</i>	<i>S.I. to Metric</i>	<i>Metric to S.I.</i>
Force	1 N = 0.1019 kg _f	1 kg _f = 9.81 N
Pressure	1 N/m ² = 10.19 × 10 ⁻⁶ kg _f /cm ²	1 kg _r /cm ² = 98135 N/m ²
Pressure	1 bar = 1.0194 kg _f /cm ²	1 kg _f /cm ² = 0.9814 bar
Energy (heat, work)	1 kJ = 0.2389 kcal 1 Nm (= 1 J) = 0.1019 kg _f m	1 kcal = 4.186 kJ 1 kg _f m = 9.81 Nm (J)
Energy (heat, work)	1 kWhr = 1.36 hp hr	1 hp hr = 0.736 kW hr
Power (metric)	1 W = 1.36 × 10 ⁻³ hp	1 hp = 736 W
Heat flow	1 W = 0.86 kcal/hr	1 kcal/hr = 1.163 W
Specific heat	1 kJ/kg°C = 0.2389 kcal/kg°C	1 kcal/kg°C = 4.186 kJ/kg°C
Surface tension	1 N/m = 0.1019 kg _f /m	1 kg _f /m = 9.81 N/m
Thermal conductivity	1 W/m°C = 0.86 kcal/hrm°C	1 kcal/hrm°C = 1.163 W/m°C
Convection coefficient	1 W/m ² °C = 0.86 kcal/hrm ² °C	1 kcal/hrm ² °C = 1.163 W/m ² °C
Dynamic viscosity	1 kg/ms (Ns/m ²) = 0.1 Poise	1 poise = 10 kg/ms (Ns/m ²)
Kinematic viscosity	1 m ² /s = 3600 m ² /hr 1 Stoke = cm ² /s = 0.36 m ² /hr = 10 ⁻⁴ m ² /s	1 m ² /hr = 2.778 × 10 ⁻⁴ m ² /s
Universal gas const.	8314.41 J/kg mol K = 847.54 m kg _f /kg mol K = 1.986 kcal/kg mol K	
Gas constant in air (SI)	= 287 J/kg K	
Stefan Boltzmann const.	5.67 × 10 ⁻⁸ W/m ² K ⁴ = 4.876 × 10 ⁻⁸ kcal/hr m ² K ⁴	

1

AN OVERVIEW OF HEAT TRANSFER

1.0 INTRODUCTION

The present standard of living is made possible by the energy available in the form of heat from various sources like fuels. The process by which this energy is converted for everyday use is studied under thermodynamics, leaving out the rate at which the energy is transferred. In all applications, the rate at which energy is transferred as heat, plays an important role. The design of all equipments involving heat transfer require the estimate of the rate of heat transfer. There is no need to list the various equipments where heat transfer rate influences their operation.

The driving potential or the force which causes the transfer of energy as heat is the difference in temperature between systems. Other such transport processes are the transfer of momentum, mass and electrical energy. In addition to the temperature difference, physical parameters like geometry, material properties like conductivity, flow parameters like flow velocity also influence the rate of heat transfer.

The aim of this text is to introduce the various rate equations and methods of determination of the rate of heat transfer across system boundaries under different situations.

1.1 HEAT TRANSFER

The study of heat transfer is directed to (i) the estimation of rate of flow of energy as heat through the boundary of a system both under steady and transient conditions, and (ii) the determination of temperature field under steady and transient conditions, which also will provide the information about the gradient and time rate of change of temperature at various locations and time. *i.e.* $T(x, y, z, \tau)$ and $dT/dx, dT/dy, dT/dz, dT/d\tau$ etc. These two are interrelated, one being dependent on the other. However explicit solutions may be generally required for one or the other.

The basic laws governing heat transfer and their application are as below:

1. First law of thermodynamics postulating the energy conservation principle: This law provides the relation between the heat flow, energy stored and energy generated in a given system. The relationship for a closed system is: **The net heat flow across the system boundary + heat generated inside the system = change in the internal energy, of the system.** This will also apply for an open system with slight modifications.

The change in internal energy in a given volume is equal to the product of volume density and specific heat ρcV and dT where the group ρcV is called the heat capacity of the system. The basic analysis in heat transfer always has to start with one of these relations.

2. The second law of thermodynamics establishing the direction of energy transport as heat. The law postulates that the flow of energy as heat through a system boundary will always be in the direction of lower temperature or along the negative temperature gradient.

3. Newtons laws of motion used in the determination of fluid flow parameters.

4. Law of conservation of mass, used in the determination of flow parameters.

5. The rate equations as applicable to the particular mode of heat transfer.

1.2 MODES OF HEAT TRANSFER

1.2.1. Conduction: This is the mode of energy transfer as heat due to temperature difference within a body or between bodies in thermal contact without the involvement of mass flow and mixing. This is the mode of heat transfer through solid barriers and is encountered extensively in heat transfer equipment design as well as in heating and cooling of various materials as in the case of heat treatment. The rate equation in this mode is based on **Fourier's law of heat conduction which states that the heat flow by conduction in any direction is proportional to the temperature gradient and area perpendicular to the flow direction and is in the direction of the negative gradient.** The proportionality constant obtained in the relation is known as thermal conductivity, k , of the material. The mathematical formulation is given in equation 1.1.

$$\text{Heat flow, } Q = -kA \frac{dT}{dx} \quad \dots(1.1)$$

The units used in the text for various parameters are:

$Q - W$, (Watt), $A - m^2$, $dT - ^\circ C$ or K (as this is only temperature interval, $^\circ C$ and K can be used without any difficulty). $x - m$, $k - W/mK$.

For simple shapes and one directional steady conditions with constant value of thermal conductivity this law yields rate equations as below:

1. Conduction, Plane Wall (Fig. 1.1), the integration of the equation 1.1 for a plane wall of thickness, L between the two surfaces at T_1 and T_2 under steady condition leads to equation 1.2. The equation can be considered as the mathematical model for this problem.

$$Q = \frac{T_1 - T_2}{(L/kA)} \quad \dots(1.2)$$

Example 1.1: Determine the heat flow across a plane wall of 10 cm thickness with a constant thermal conductivity of 8.5 W/mK when the surface temperatures are steady at 100°C and 30°C. The wall area is 3m². Also find the temperature gradient in the flow direction.

Solution: Refer to Fig. 1.1 and equation 1.2:

$$T_1 = 100^\circ C, \quad T_2 = 30^\circ C, \quad L = 10 \text{ cm} = 0.1 \text{ m},$$

$$k = 8.5 \text{ W/mK}, \quad A = 3 \text{ m}^2.$$

$$\text{Therefore, heat flow, } Q = (100 - 30) / (0.1/(8.5 \times 3)) \\ = 17850 \text{ W or } 17.85 \text{ kW.}$$

Referring to equation 1.1

$$Q = -kA \frac{dT}{dx}$$

$$17850 \text{ W} = -8.5 \times 3 \frac{dT}{dx}.$$

$$\text{Therefore } \frac{dT}{dx} = -17850/(8.5 \times 3) \\ = -700^\circ C/m$$

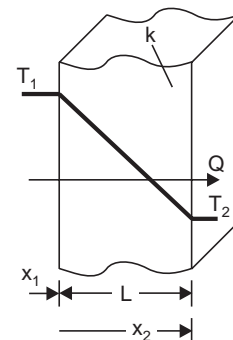


Fig. 1.1. Physical model for example 1.1

This is also equal to $-(100 - 30)/0.1 = -700^\circ\text{C}/\text{m}$, as the gradient is constant all through the thickness.

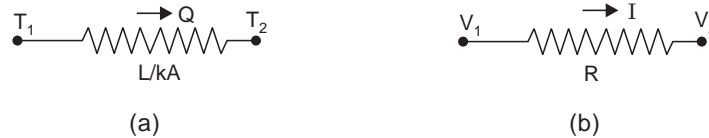


Fig. 1.2. Electrical analogy (a) conduction circuit (b) Electrical circuit.

The denominator in equation 1.2, namely L/kA can be considered as **thermal resistance for conduction**. An electrical analogy is useful as a concept in solving conduction problems and in general heat transfer problems.

1.2.2. Thermal Conductivity: It is the constant of proportionality in Fourier's equation and plays an important role in heat transfer. The unit in SI system for conductivity is W/mK . It is a material property. Its value is higher for good electrical conductors and single crystals like diamond. Next in order or alloys of metals and non metals. Liquids have conductivity less than these materials. Gases have the least value for thermal conductivity.

In solids heat is conducted in two modes. 1. The flow of thermally activated electrons and 2. Lattice waves generated by thermally induced atomic activity. In conductors the predominant mode is by electron flow. In alloys it is equal between the two modes. In insulators, the lattice wave mode is the main one. In liquids, conduction is by atomic or molecular diffusion. In gases conduction is by diffusion of molecules from higher energy level to the lower level.

Thermal conductivity is formed to vary with temperature. **In good conductors, thermal conductivity decreases with temperature** due to impedance to electron flow of higher electron densities. **In insulators**, as temperature increases, thermal atomic activity also increases and **hence thermal conductivity increases with temperature**. In the **case of gases**, thermal conductivity **increases with temperature** due to increased random activity of atoms and molecules. Thermal conductivity of some materials is given in table 1.1.

Table 1.1. Thermal conductivity of some materials at 293 K

<i>Material</i>	<i>Thermal conductivity, W/mK</i>
Copper	386.0
Aluminium	204.2
Carbon Steel 1% C	43.3
Chrome Steel 20% Cr	22.5
Chrome Nickel Steel	12.8
Concrete	1.13
Glass	0.67
Water	0.60
Asbestos	0.11
Air	0.026

The variation of thermal conductivity of various materials with temperature is shown in Fig. 1.3.

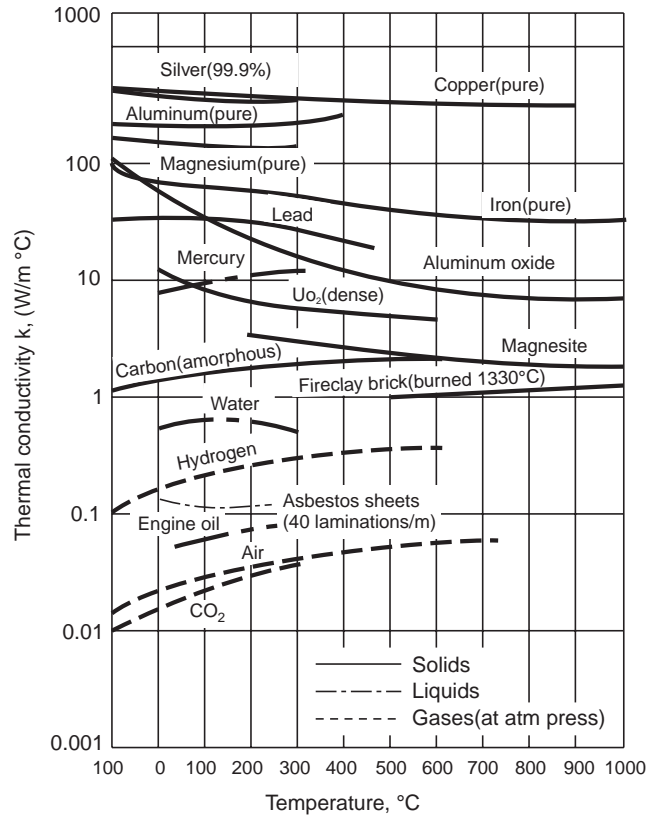


Fig. 1.3. Effect of temperature on thermal conductivity of materials.

1.2.3. Thermal Insulation: In many situations to conserve heat energy, equipments have to be insulated. Thermal insulation materials should have a low thermal conductivity. This is achieved in solids by trapping air or a gas in small cavities inside the material. It may also be achieved by loose filling of solid particles. The insulating property depends on the material as well as transport property of the gases filling the void spaces. There are essentially three types of insulating materials:

1. Fibrous: Small diameter particles or filaments are loosely filled in the gap between surfaces to be insulated. Mineral wool is one such material, for temperatures below 700°C. Fibre glass insulation is used below 200°C. For higher temperatures refractory fibres like Alumina (Al_2O_3) or silica (SiO_2) are useful.

2. Cellular: These are available in the form of boards or formed parts. These contain voids with air trapped in them. Examples are polyurethane and expanded polystyrene foams.

3. Granular: These are of small grains or flakes of inorganic materials and used in preformed shapes or as powders.

The effective thermal conductivity of these materials is in the range of 0.02 to 0.04 W/mK.

1.2.4. Contact Resistance: When two different layers of conducting materials are placed in thermal contact, a thermal resistance develops at the interface. This is termed as contact resistance. A significant temperature drop develops at the interface and this has to be taken into account in heat transfer calculation. The contact resistance depends on the surface roughness to a great extent. The pressure holding the two surfaces together also influences the contact resistance. When the surfaces are brought together the contact is partial and air may be trapped between the other points as shown in Fig. 1.4.

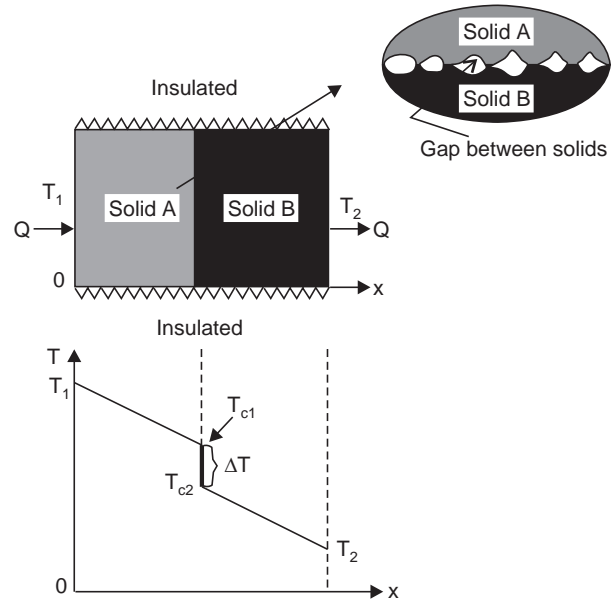


Fig. 1.4. Contact resistance temperature drop

Some values of contact resistance for different surfaces is given in table 1.2.

Table 1.2.

Surface type	Roughness μm	Temp.	Pressure atm	$R, \text{m}^2\text{C}/\text{W} \times 10^4$
Stainless Steel ground in air	2.54	20-200	3-25	2.64
Stainless Steel ground in air	1.14	20°	40-70	5.28
Aluminium ground air	2.54	150	12-25	0.88
Aluminium ground air	0.25	150	12-25	0.18.

1.2.5. Convection: This mode of heat transfer is met with in situations where energy is transferred as heat to a flowing fluid at the surface over which the flow occurs. This mode is basically conduction in a very thin fluid layer at the surface and then mixing caused by the flow. The energy transfer is by combined molecular diffusion and bulk flow. The heat flow is independent of the properties of the material of the surface and depends only on the fluid properties. However the shape and nature of the surface will influence the flow and hence the heat transfer. Convection is not a pure mode as conduction or radiation and hence involves several parameters. If the flow is caused by **external means** like a fan or pump, then the mode is known as **forced convection**. If the flow is due to the **buoyant forces** caused by temperature difference in the fluid body, then the mode is known as **free or natural convection**. In most applications heat is transferred from one fluid to another separated by a solid surface. So heat is transferred from the hot fluid to the surface and then from the surface to the cold fluid by convection. In the design process thus convection mode becomes the most important one in the point of view of application. The rate equation is due to Newton who clubbed all the parameters into a single one called convective heat transfer coefficient (h) as given in equation 1.3. The physical configuration is shown in Fig. 1.5. (a).

$$\text{Heat flow, } Q = hA (T_1 - T_2) = \frac{T_1 - T_2}{1/hA} \quad \dots(1.3)$$

where, $Q \rightarrow W, A \rightarrow m^2, T_1, T_2 \rightarrow ^\circ\text{C}$ or $K, \therefore h \rightarrow W/m^2K$.

The quantity $1/hA$ is called convection resistance to heat flow. The equivalent circuit is given in Fig. 1.5(b).

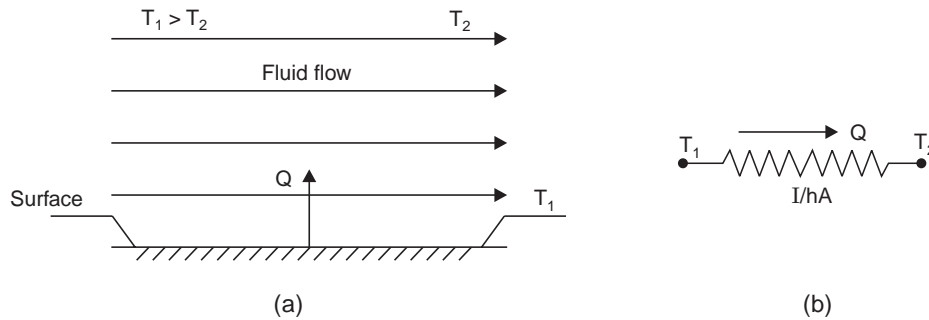


Fig. 1.5. Electrical analogy for convection heat transfer

Example 1.2: Determine the heat transfer by convection over a surface of 0.5 m^2 area if the surface is at 160°C and fluid is at 40°C . The value of convective heat transfer coefficient is $25 \text{ W/m}^2\text{K}$. Also estimate the temperature gradient at the surface given $k = 1 \text{ W/mK}$.

Solution: Refer to Fig. 1.5a and equation 1.3

$$Q = hA (T_1 - T_2) = 25 \times 0.5 \times (160 - 40) \text{ W} = 1500 \text{ W or } 1.5 \text{ kW}$$

$$\text{The resistance} = 1/hA = 1/25 \times 0.5 = 0.08^\circ\text{C/W.}$$

The fluid has a conductivity of 1 W/mK , then the **temperature gradient at the surface** is

$$Q = -kA \frac{dT}{dy}$$

$$\text{Therefore, } \frac{dT}{dy} = -Q/kA$$

$$= -1500/1.0 \times 0.5 = -3000^\circ\text{C/m.}$$

The fluid temperature is often referred as T_∞ for indicating that it is the fluid temperature well removed from the surface. The convective heat transfer coefficient is dependent on several parameters and the determination of the value of this quantity is rather complex, and is discussed in later chapters.

1.2.6. Radiation: Thermal radiation is part of the electromagnetic spectrum in the limited wave length range of 0.1 to $10 \mu\text{m}$ and is emitted at all surfaces, irrespective of the temperature. Such radiation incident on surfaces is absorbed and thus radiation heat transfer takes place between surfaces at different temperatures. No medium is required for radiative transfer but the surfaces should be in visual contact for direct radiation transfer. The rate equation is due to **Stefan-Boltzmann law** which states that heat radiated is proportional to the fourth power of the absolute temperature of the surface and heat transfer rate between surfaces is given in equation 1.4. The situation is represented in Fig. 1.6 (a).

$$Q = F \sigma A (T_1^4 - T_2^4) \quad \dots(1.4)$$

where, F —a factor depending on geometry and surface properties,

σ —Stefan Boltzmann constant $5.67 \times 10^{-8} \text{ W/m}^2\text{K}^4$ (SI units)

$A \rightarrow m^2, T_1, T_2 \rightarrow K$ (only absolute unit of temperature to be used).

This equation can also be rewritten as.

$$Q = \frac{(T_1 - T_2)}{1 / \{F\sigma A (T_1 + T_2) (T_1^2 + T_2^2)\}} \quad \dots(1.5)$$

where the denominator is referred to as radiation resistance (Fig. 1.6)

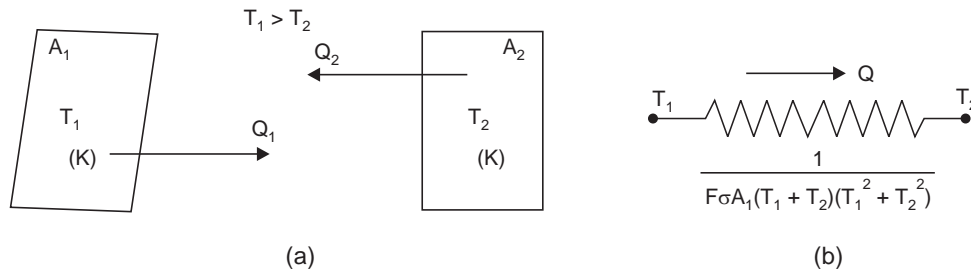


Fig. 1.6. Electrical analogy-radiation heat transfer.

Example 1.3: A surface is at 200°C and has an area of 2m^2 . It exchanges heat with another surface B at 30°C by radiation. The value of factor due to the geometric location and emissivity is 0.46. Determine the heat exchange. Also find the value of thermal resistance and equivalent convection coefficient.

Solution: Refer to equation 1.4 and 1.5 and Fig. 1.6.

$$T_1 = 200^\circ\text{C} = 200 + 273 = 473\text{K}, T_2 = 30^\circ\text{C} = 30 + 273 = 303\text{K}.$$

(This conversion of temperature unit is very important)

$$\sigma = 5.67 \times 10^{-8}, A = 2\text{m}^2, F = 0.46.$$

$$\begin{aligned} \text{Therefore, } Q &= 0.46 \times 5.67 \times 10^{-8} \times 2[473^4 - 303^4] \\ &= 0.46 \times 5.67 \times 2 [(473/100)^4 - (303/100)^4] \end{aligned}$$

(This step is also useful for calculation and will be followed in all radiation problems-taking 10^{-8} inside the bracket).

$$\text{Therefore, } \mathbf{Q = 2171.4 \text{ W}}$$

Resistance can be found as

$$Q = \Delta T/R, R = \Delta T/Q = (200-30)/2171.4$$

$$\text{Therefore, } \mathbf{R = 0.07829^\circ\text{C/W or K/W}}$$

Resistance is also given by $1/h_r A$.

$$\text{Therefore, } h_r = 6.3865 \text{ W/m}^2\text{K}$$

$$\text{Check } Q = h_r A \Delta T = 6.3865 \times 2 \times (200-30) = 2171.4 \text{ W}$$

The denominator in the resistance terms is also denoted as $h_r A$, where $h_r = F\sigma (T_1 + T_2)$

$(T_1^2 + T_2^2)$ and is often used due to convenience approximately $h_r = F\sigma \left(\frac{T_1 + T_2}{2} \right)^3$. The

determination of F is rather involved and values are available for simple configurations in the form of charts and tables. For simple cases of black surface enclosed by the other surface $F = 1$ and for non black enclosed surfaces $F =$ emissivity. (defined as ratio of heat radiated by a surface to that of an ideal surface).

In this chapter only simple cases will be dealt with and the determination of F will be taken up in the chapter on radiation. The concept of h_r is convenient, though difficult to arrive at if temperature is not specified. The value also increases rapidly with temperature.

1.3 COMBINED MODES OF HEAT TRANSFER

Previous sections treated each mode of heat transfer separately. But in practice all the three modes of heat transfer can occur simultaneously. Additionally heat generation within the solid may also be involved. Most of the time conduction and convection modes occur simultaneously when heat from a hot fluid is transferred to a cold fluid through an intervening barrier. Consider the following example. A wall receives heat by convection and radiation on one side. After conduction to the next surface heat is transferred to the surroundings by convection and radiation. This situation is shown in Fig. 1.7.

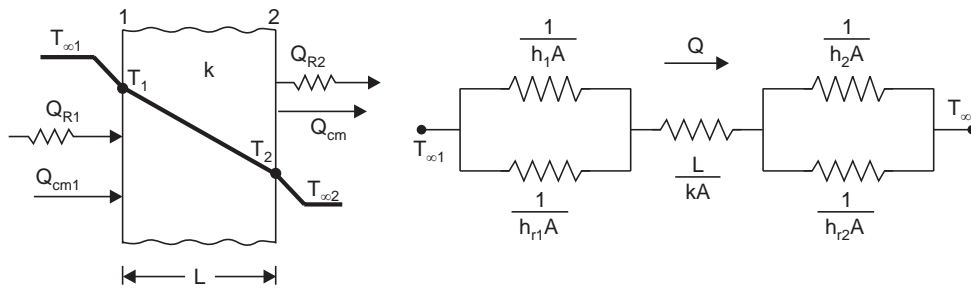


Fig. 1.7. Combined modes of heat transfer.

The heat flow is given by equation 1.6.

$$\frac{Q}{A} = \frac{T_{\infty 1} - T_{\infty 2}}{\frac{1}{h_{r1} + h_1} + \frac{L}{k} + \frac{1}{h_{r2} + h_2}} \quad \dots(1.6)$$

where h_{r1} and h_{r2} are radiation coefficients and h_1 and h_2 are convection coefficients.

Example 1.4: A slab 0.2 m thick with thermal conductivity of 45 W/mK receives heat from a furnace at 500 K both by convection and radiation. The convection coefficient has a value of 50 W/m²K. The surface temperature is 400 K on this side. The heat is transferred to surroundings at $T_{\infty 2}$ both by convection and radiation. The convection coefficient on this side being 60 W/m²K. Determine the surrounding temperature.

Assume $F = 1$ for radiation.

Solution: Refer Fig. 1.7. Consider 1 m² area. Steady state condition.

$$\begin{aligned} \text{Heat received} &= \sigma (T_{\infty 1}^4 - T_1^4) + h (T_{\infty 1} - T_1) \\ &= 5.67 \left\{ \left(\frac{500}{100} \right)^4 - \left(\frac{400}{100} \right)^4 \right\} + 50 (500 - 400) \\ &= \mathbf{7092.2 \text{ W.}} \end{aligned}$$

$$\text{To determine } T_2, \quad Q = \frac{\Delta T}{R} \quad \text{or} \quad \Delta T = QR = 7092.2 \times \frac{0.2}{45} = 31.57 \text{ K.}$$

$$\therefore T_2 = 400 - 31.57 = 368.43 \text{ K.}$$

on the other side,

$$7092.2 = 5.67 \left\{ \left(\frac{368.43}{100} \right)^4 - \left(\frac{T_{\infty 2}}{100} \right)^4 \right\} + 60 (368.43 - T_{\infty 2})$$

$$\text{or} \quad 5.67 \left(\frac{T_{\infty 2}}{100} \right)^4 + 60 T_{\infty 2} = 16056. \text{ Solving by trial}$$

$$T_{\infty 2} = 263.3 \text{ K.}$$

1.3.1. Overall Heat Transfer Coefficient: Often when several resistances for heat flow is involved, it is found convenient to express the heat flow

$$\text{as} \quad Q = U A \Delta T, \quad \dots(1.7)$$

where **U is termed as overall heat transfer coefficient** having the same unit as convective heat transfer coefficient, h . The value of U can be obtained for a given area A by equation 1.8.

$$\frac{1}{UA} = \frac{1}{R_1} + \frac{1}{R_2} + \frac{1}{R_3} + \dots \dots \dots \quad \dots(1.8)$$

where R_1, R_2, R_3, \dots are the resistances in series calculated based on the areas A_1, A_2, A_3 etc.

1.3.2. Energy Balance With Heat Transfer: There are situations when a body receives heat by convection and radiation and transfer part of it to the surroundings and stores the remaining in the body by means of increase in temperature. In such a situation, the rate of temperature change can be obtained by the equation 1.9. Heat generation may also be included.

$$d\tau (Q_{\text{in}} - Q_{\text{out}}) + d\tau \dot{q} = \rho VC dT.$$

$$\text{or} \quad \frac{dT}{d\tau} = \frac{Q_{\text{in}} - Q_{\text{out}} + \dot{q}}{\rho VC} \quad \dots(1.9)$$

where \dot{q} is the heat generation rate per unit volume and ρ, V and C are the density, Volume and specific heat of the body.

$$\text{When equilibrium is reached, } \frac{dT}{d\tau} = 0, \text{ So}$$

$$Q_{\text{in}} = Q_{\text{out}} \quad \dots(1.10)$$

Example 1.5: In a cylindrical shaped body of 30 cm diameter and 30 cm length heat is generated at a rate $1.5 \times 10^6 \text{ W/m}^3$. The surface temperature is 400°C . The convection coefficient is $200 \text{ W/m}^2\text{K}$. Heat is convected and radiated to the surroundings at 100°C . The radiation factor is one. The solid has a density of 19000 kg/m^3 and a specific heat of 0.118 kJ/kgK . Determine the rate of change of temperature of the body at that instant in $^\circ\text{C/s}$.

Solution: Refer equation 1.4 and Fig. 1.8

$$(q - Q_R - Q_C) d\tau = \rho VC dT$$

$$\begin{aligned} \therefore \frac{dT}{d\tau} &= \frac{q - Q_R - Q_C}{\rho VC} \\ \text{The surface area} &= 2\pi r^2 + 2\pi rh \\ &= 2\pi \times 0.15^2 + 2\pi \times 0.15 \times 0.3 \\ &= 0.4241 \text{ m}^2 \\ \text{Heat capacity} &= \text{Volume} \times \text{density} \times \text{sp. heat} \\ &= \pi r^2 h \times 19000 \times 118 \\ &= \pi \times 0.15^2 \times 0.3 \times 19000 \times 118 \\ &= 47543 \text{ J/}^\circ\text{C} \end{aligned}$$

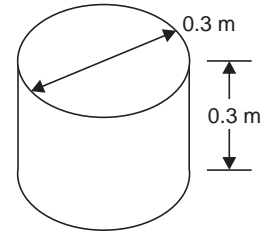


Fig. 1.8

$$\begin{aligned} \text{Heat generated} &= \text{Volume} \times q = \pi r^2 h \times 1.5 \times 10^6 \text{ W} = 31809 \text{ W or } 31809 \text{ J/s} \\ \text{Heat convected} &= hA \Delta T = 200 \times 0.4241 \times (400 - 100) = 25446 \text{ W or } 25446 \text{ J/s} \\ \text{Heat radiated} &= \sigma A (T_1^4 - T_2^4) \\ &= 5.67 \times 10^{-8} \times 0.4241 [(400 + 273)^4 - (100 + 273)^4] \\ &= 4468 \text{ W or } 4468 \text{ J/s} \end{aligned}$$

$$\begin{aligned} \text{Therefore, Heat generated} - \text{Heat convected} - \text{Heat radiated} \\ &= 31809 - 25446 - 4468 = 1895 \text{ W or } 1895 \text{ J/s} \\ \rho cV &= 47543 \text{ J/}^\circ\text{C} \end{aligned}$$

$$\text{Therefore, } \frac{dT}{d\tau} = \frac{1895}{47543} = 0.03985^\circ\text{C/s}$$

Possible simplifications are.

(i) no heat generation, (ii) no radiation or, (iii) steady state etc, which will reduce one of the terms to be zero.

1.4 DIMENSIONS AND UNITS

For numerical estimation of heat transfer rate units of various parameters become necessary. All equations should be dimensionally homogeneous. Dimensions are universal and there is no difference from country to country. But the systems of unit varies from country to country. Three popular systems are (1) *FPS* (foot, pound, second, °F) (2) *MKS* (metre, kilogram, second °C) and (3) *SI* (metre, kilogram, second, K) system of units. In this text *SI* system of units is adopted. The units used for various quantities is listed in table 1.2 and conversion factors are given separately.

Table 1.3. Units adopted for various quantities

Parameter	Unit and symbol	Unit multiples
Mass	kilogram, kg,	Ton = 1000 kg
Length	metre, m	cm, mm, km
Time	Seconds, s,	minute, hour
Force	Newton, N, (kg m/s ²)	kN, MN

(Contd...)

Energy, (heat)	Joule, $J \equiv \text{Nm}$	kJ, MJ
Power	Watt, $W (\text{J/s})$	kW, MW
Temperature	kelvin, K ,	also $^{\circ}\text{C}$
Dynamic viscosity	μ , Nm/s^2	Poise
Kinematic viscosity	ν , m^2/s	Stoke
Specific heat	c , J/kg K	kJ/kg K

The units for other parameters will be defined as and when these are used.

In solving numerical problems, consistent sets of units should be used. Otherwise the answer will be meaningless.

Example 1.6: Convert the following units into their equivalent SI units :

(i) $\text{BTU/hr ft}^{\circ}\text{F}$, (ii) $\text{BTU/hr ft}^2\text{F}$. From published tables the following are read. $1\text{J} = 9.4787 \times 10^{-4}\text{BTU}$, $1\text{m} = 39.370\text{ inches}$, $\text{kg} = 2.2046\text{ lb}$, $^{\circ}\text{C} = 9/5^{\circ}\text{F}$.

Solution: (i) Therefore, $1\text{BTU} = 1/9.4787 \times 10^{-4}\text{J} = 1054.997\text{J}$, $\text{ft} = (12/39.37)\text{m}$

$$\begin{aligned} \text{Therefore, } \text{BTU/hr ft}^{\circ}\text{F} &= 1054.997\text{J}/3600\text{s} (12/39.37)\text{m} (5/9)^{\circ}\text{C} \\ &= 1.7306\text{ J/s m}^{\circ}\text{C} \text{ or } 1.7306\text{ W/m}^{\circ}\text{C} \end{aligned}$$

or,

$$1\text{ W/mK} = 0.5778\text{ BTU/hr ft}^{\circ}\text{F}.$$

$$\begin{aligned} \text{(ii) } \text{BTU/hr ft}^2\text{ }^{\circ}\text{F} &= 1054.997\text{J}/3600\text{s} (12/39.37)^2\text{m}^2 (5/9)^{\circ}\text{C} \\ &= 5.67792\text{ W/m}^2\text{ }^{\circ}\text{C} \text{ or } 1\text{W/m}^2\text{ }^{\circ}\text{C} = 0.1761\text{ BTU/hr ft}^2\text{ }^{\circ}\text{F}. \end{aligned}$$

1.5 CLOSURE

An overview of the field of heat transfer is presented in this chapter. Each mode of heat transfer will be discussed in greater detail in the following chapters.

A series of steps listed below will be useful in analysing and estimating heat transfer.

1. List the available data for the problem situation. Then look for additional data from other sources, like property listings.
2. Sketch a schematic diagram for the system involved and identify the basic processes involved. (Physical model)
3. List the simplifying assumptions that are reasonable. This should be checked later.
4. Apply the rate equations and conservation laws to the situation. (Mathematical model).
5. Try to validate the results obtained. This is an important step, which is often overlooked with disastrous results.

SOLVED PROBLEMS

Combined Convection and Radiation

Problem 1: A surface is at 200°C and is exposed to surroundings at 60°C and convects and radiates heat to the surroundings. The convection coefficient is $80\text{W/m}^2\text{K}$. The radiation factor is one. If the heat is conducted to the surface through a solid of conductivity 12W/mK , determine the temperature gradient at the surface in the solid.

Solution: Refer equation 1.10

Heat convected + heat radiated = heat conducted considering $1m^2$,

$$h(T_1 - T_2) + \sigma(T_1^4 - T_2^4) = -kdT/dx$$

$$\text{Therefore, } 80(200 - 60) + 5.67 \{[(200 + 273)/100]^4 - [(60 + 273)/100]^4\} = -12 \frac{dT}{dx}$$

$$\text{Therefore } \frac{dT}{dx} = -(11200 + 2140.9)/12 = -1111.7^\circ\text{C/m.}$$

Problem 2: Heat is conducted through a material with a temperature gradient of -9000°C/m . The conductivity of the material is 25W/mK . If this heat is convected to surroundings at 30°C with a convection coefficient of $345\text{W/m}^2\text{K}$, determine the surface temperature.

If the heat is radiated to the surroundings at 30°C determine the surface temperature.

Solution: In this case only convection and conduction are involved.

$$-kAdT/dx = hA(T_1 - T_2). \text{ Considering unit area,}$$

$$-25 \times 1 \times (-9000) = 345 \times 1 (T_1 - 30)$$

$$\text{Therefore, } T_1 = 682.17^\circ\text{C}$$

In this case conduction and radiation are involved.

Heat conducted = Heat radiated

$$-25 \times 1 \times (-9000) = 5.67 [(T_1/100)^4 - (303/100)^4]$$

$$\text{Therefore, } T_1 = 1412.14\text{K} = 1139^\circ\text{C.}$$

Problem 3: There is a heat flux through a wall of 2250W/m^2 . The same is dissipated to the surroundings by convection and radiation. The surroundings is at 30°C . The convection coefficient has a value of $75\text{W/m}^2\text{K}$. For radiation $F = 1$. Determine the wall surface temperature.

Solution: For the specified condition, Consider unit area.

The heat conducted = heat convected + heat radiated

Using the rate equations, with absolute temperature

$$\begin{aligned} 2250 &= \frac{T_2 - 303}{1/75 \times 1} + 5.67 \times 1 [(T_2/100)^4 - (303/100)^4] \\ &= 75T_2 - 22725 + 5.67(T_2/100)^4 - 477.92 \end{aligned}$$

$$\text{or, } (T_2/100)^4 + 13.2275T_2 - 4489.05 = 0.$$

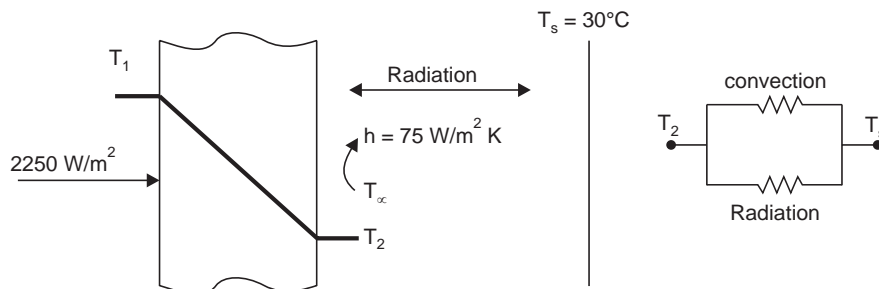


Fig. 1.9

This equation can be solved only by trial. It may be noted that the contribution of $(T_2/100)^4$ is small and so the first choice of T_2 can be a little less than $4489/13.227 = 340\text{K}$. The values of the remainder for $T_2 = 300, 310, 320, 330$ are given below:

Assumed value of T_2	300	310	320	330	330.4	330.3
Remainder	- 439.80	- 296.2	- 15.1	- 5.38	0.484	- 0.98

So, the temperature T_2 is near 330K. By one more trial T_2 is obtained as **330.4K or 57.4°C**.

Check:
$$Q = 75(330.4 - 303) + 5.69(3.304^4 - 3.03^4)$$

$$= 2047.5 + 206 = 2253.5 \text{ W.}$$

Problem 4: The outside surface of a cylindrical cryogenic container is at -10°C . The outside radius is 8 cm. There is a heat flow of 65.5 W/m , which is dissipated to the surroundings both by radiation and convection. The convection coefficient has a value of $4.35 \text{ W/m}^2\text{K}$. The radiation factor $F = 1$. Determine the surrounding temperature.

Solution:

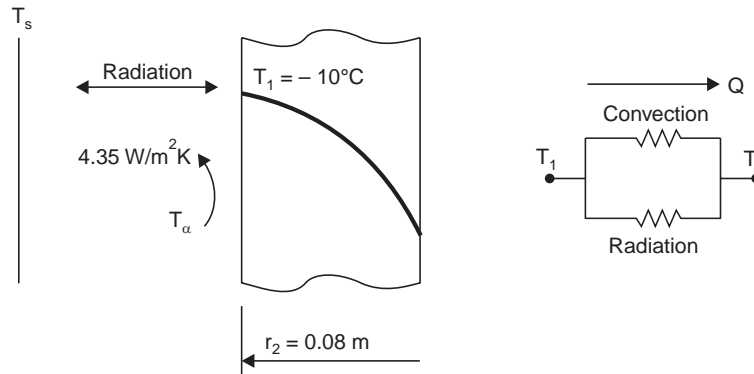


Fig. 1.10

In this case, heat conducted = heat convected + heat radiated.

Temperature should be in Kelvin consider unit length:

$$65.5 = 2 \times \pi \times 0.08 [4.35 \{T_s - 263\} + 5.67 \{(T_s/100)^4 - (263/100)^4\}]$$

This reduces to $(T_s/100)^4 + 0.767 T_s - 272.6 = 0$

This equation has to be solved by trial.

The first trial value can be chosen near $272.6/0.767 = 355.4 \text{ K}$.

Chosen value of T_s	290	280	275	278	277.75
Residue	20.6	3.6	- 4.4	0.4	0.0

The surrounding temperature is **277.75K or 4.75°C**.

Check:
$$Q = hA(T_s - T_1) + \sigma A[(T_s/100)^4 - (263/100)^4]$$

$$= 4.35 \times \pi \times 0.08 \times 2 (277.75 - 263) + 5.67 \times 2 \times \pi \times 0.08 \times 1 [2.7775^4 - 2.63^4]$$

$$= 32.25 + 33.26 = 65.51 \text{ W checks to a very reasonable value.}$$

Problem 5: A spherical reactor vessel of outside radius 0.48 m has its outside temperature as 123.4°C. The heat flow out of the vessel by convection and radiation is 450 W. Determine the surrounding temperature.

Solution: In this case Temp should be in K,

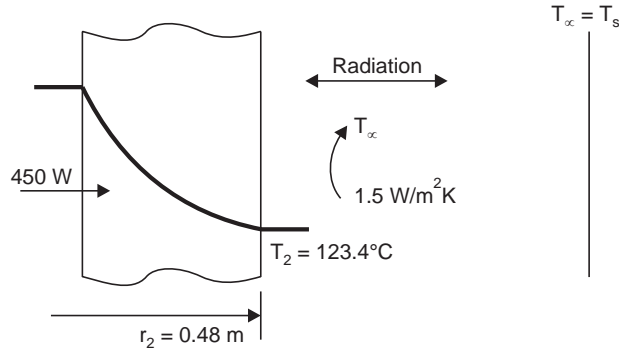


Fig. 1.11

heat conducted = heat convected + heat radiated

$$450 = hA(T_2 - T_s) + \sigma A(T_2^4 - T_s^4)$$

$$= 1.5 \times 4\pi \times 0.48^2(396.4 - T_s) + 5.67 \times 4\pi \times 0.48^2 \{(3.964/100)^4 - (T_s/100)^4\}$$

or, $(T_s/100)^4 + 0.2646 T_s - 324.36 = 0$.

Assumed value of T_s	380	385	390	387	386	386.3	386.1
Residue	-15.4	-2.78	10.18	2.34	-0.34	0.34	0.03

Therefore, $T_s = 386.1\text{K}$ or 113.10°C

Check $Q = 1.5 \times 4\pi \times 0.48^2(396.4 - 386.1) + 5.67 \times 4\pi \times 0.48^2(3.964^4 - 3.861^4)$
 $= 44.73 + 405.15 = 449.88 \text{ W, checks.}$

Problem 6: A solid receives heat by radiation over its surfaces at 4kW and the heat convection rate over the surface of the solid to the surroundings is 5.2 kW, and heat is generated at a rate of 1.7 kW over the volume of the solid, determine the heat capacity of the solid if the time rate of change of the average temperature of the solid is 0.5°C/s.

Solution: The energy balance yields: Heat received by radiation – heat convected + heat generated = heat stored.

But, heat stored = heat capacity \times change in temperature.

$$Q_r d\tau - Q_c d\tau + \dot{q} d\tau = \rho VC dT$$

$$\frac{dT}{d\tau} = \frac{Q_r - Q_c + \dot{q}}{\rho VC} \quad \text{or} \quad \rho VC = \frac{Q_r - Q_c + \dot{q}}{\frac{dT}{d\tau}}$$

$$\frac{dT}{d\tau} = 0.5^\circ\text{C/s}, Q_r = 4000 \text{ J/s}, Q_c = 5200 \text{ J/s}$$

$$\dot{q} = 1700 \text{ J/s.}$$

$$\therefore \rho VC = \frac{4000 - 5200 + 1700}{0.5} = 1000 \text{ J}^\circ\text{C.}$$

Problem 7: A cube shaped solid 20 cm side having a density of 2500 kg/m³ and specific heat of 0.52kJ/kgK has a uniform heat generation rate of 100kJ/m³/s. If heat is received over its surfaces at 240 W, determine the time rate of temperature change of the solid.

Solution: The energy equation yields:

Heat received + heat generated = heat stored

Heat stored = Volume × density × specific heat × temp. rise.

$$Q d\tau + \dot{q}V d\tau = \rho VC dT.$$

$$\frac{dT}{d\tau} = \frac{Q + \dot{q}V}{\rho VC}, Q = 240\text{J/s}, \dot{q} = 100000\text{J/m}^3/\text{s}$$

$$V = 0.2 \times 0.2 \times 0.2 \text{ m}^3, C = 520\text{J/kg K}, s = 2500 \text{ kg/m}^3$$

$$\therefore \frac{dT}{d\tau} = \frac{240 + 100000 \times 0.2^3}{2500 \times 0.2^3 \times 520} = 0.1^\circ\text{C/s}$$

Time rate of temperature change = 0.1°C/s.

Problem 8: A spherical mass 1m diameter receives heat from a source at 160°C by radiation and convects heat to the surroundings at 30°C, the convection coefficient being 45 W/m²K. Determine the steady state temperature of the solid.

Assume $F = 1$ for radiation.

Solution: Using energy balance,

$$\text{As } \frac{dT}{d\tau} = 0,$$

heat received by radiation = heat convected.

$$\sigma A (T_s^4 - T^4) = hA(T - T_\infty)$$

It is to be noted that the temperature values should be in absolute units. cancelling A on both sides and substituting the values.

$$5.67 \left\{ \left[\frac{160 + 273}{100} \right]^4 - (T/100)^4 \right\} = 45 [T - (273 + 30)]$$

$$\text{Rearranging: } 1993.13 - 5.67(T/100)^4 - 45T + 13635 = 0$$

$$\text{or } (T/100)^4 + 7.9365T - 2756.30 = 0$$

Solving by trial and first taking value near 2747/7.91 approx. 330

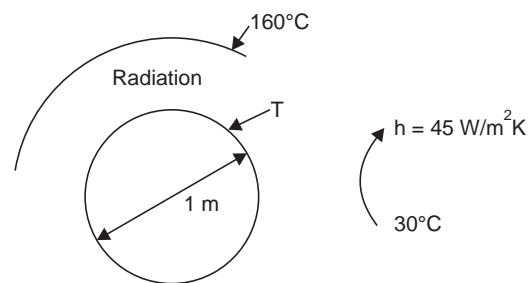


Fig. 1.12

Temp, K	330	331	332	332.1
residue	-18.67	-9.6	-0.11	+0.72

Therefore the equilibrium temperature is **332K or 59°C**.

Check: heat convected $45 [332 - (273 + 30)] = 1305 \text{ W/m}^2$
 heat received $= 5.67 (4.33^4 - 3.32^4) = 1304.3 \text{ W/m}^2$

Checks within reasonable limits.

Problem 9: A person sits in a room with surrounding air at 26°C and convection coefficient over the body surface is $6 \text{ W/m}^2\text{K}$. The walls in the room are at 5°C as the outside temperature is below freezing. If the body temperature is 37°C , determine the heat losses by convection and radiation. Assume $F = 1.0$ for radiation. Consider a surface area of 0.6 m^2 .

Solution: Heat loss by convection: $hA(T_1 - T_2) = 6 \times 0.6 (37 - 26) \text{ W} = 39.6 \text{ W}$

Heat loss by radiation: $\sigma A(T_1^4 - T_2^4)$ Note that T should be in K .

$$= 5.67 \times 0.6 \left[\left(\frac{273 + 37}{100} \right)^4 - \left(\frac{273 + 5}{100} \right)^4 \right] = 110.99 \text{ W}$$

Total = **150.59 W**

The direct heat loss by radiation makes one feel cooler though the surrounding temp is not that low. Calculate the same when the wall temp is also 26°C in summer.

Convection loss = 39.6 W

Radiation loss:

$$= 5.67 \times 0.6 \left[\left(\frac{273 + 37}{100} \right)^4 - \left(\frac{273 + 26}{100} \right)^4 \right] = 42.28 \text{ W}$$

Total heat loss = **81.88 W**.

Problem 10: A person stands in front of a fire at 650°C in a room where air is at 5°C . Assuming the body temperature to be 37°C and a convection coefficient of $6 \text{ W/m}^2\text{K}$, the area exposed to convection as 0.6 m^2 , determine the net heat flow from the body. The fraction of radiation from the fire of 1 m^2 are reaching the person is 0.01 .

Solution: Heat loss by convection $= hA(T_1 - T_2) = 6 \times 0.6(37 - 5) = 115.2 \text{ W}$

Substituting the values, heat gain by radiation $= \sigma A(T_1^4 - T_2^4)$

$$= 5.67 \times 0.01 \left[\left(\frac{650 + 273}{100} \right)^4 - \left(\frac{273 + 37}{100} \right)^4 \right] = 406.3 \text{ W}$$

Net heat gain = $406.3 - 115.2 = \mathbf{291.1 \text{ W}}$.

This shows that sudden exposure to the high temperature warms up a person quickly.

Problem 11: A electric room heater (radiator) element is 25 cm long and 4 cm in diameter. The element dissipates heat to the surroundings at 1500 W mainly by radiation, the surrounding temperature being 15°C . Determine the equilibrium temperature of the element surface.

Solution: At equilibrium, neglecting convection,

$$Q = \sigma A(T_1^4 - T_2^4)$$

Using absolute units of temperature,

$$1500 = 5.67 \times \pi \times 0.04 \\ \times 0.25 [(T_1/100)^4 - (288/100)^4]$$

Solving, $T_1 = 959.9 \text{ K}$ or 686.9°C

Check: $Q = 5.67 \times \pi \times 0.04 \times 0.25 [9.599^4 - 2.88^4] = 1500 \text{ W}$

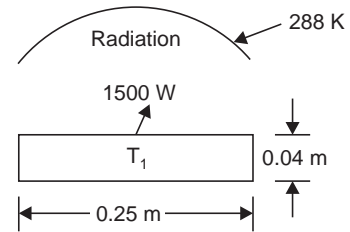


Fig. 1.13

Problem 12: A steel plate is exposed to solar heat flux of 800 W/m^2 on one side. The plate is exposed to air at 30°C on both sides. The convection coefficients are $10 \text{ W/m}^2\text{K}$ on the back side and $15 \text{ W/m}^2\text{K}$ on the front. Determine the equilibrium temperature. Neglect radiation loss.

Solution: The energy balance yields, (Fig. 1.14)

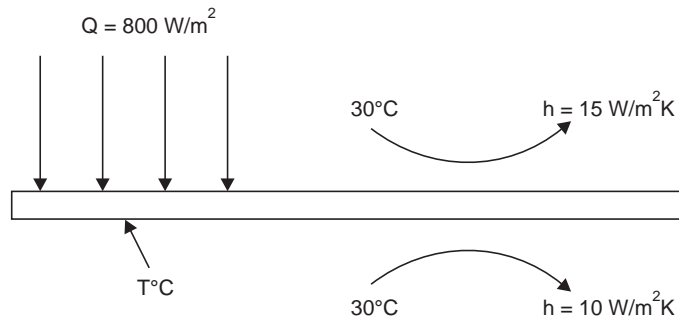


Fig. 1.14

The incident heat rate = convection on the front side + convection on the back side

Substituting the values, and considering 1m^2

$$800 = 15(T - 30) + 10(T - 30)$$

Therefore, $T = 62^\circ\text{C}$.

Check: $15(62 - 30) + 10(62 - 30) = 800 \text{ W}$.

Problem 13: A thin plate receives radiation on one side from a source at 650°C and radiates on the other face to a surface at 150°C . Determine the temperature of the plate. Take $F = 1$. Neglect convection heat flow.

Solution: The energy conservation leads to (Fig. 1.15)] radiation received by the surface = radiation from the surface

$$\sigma A(T_1^4 - T^4) = \sigma A[T^4 - T_2^4]$$

Remembering to use Kelvin scale,

$$\left[\left(\frac{650 + 273}{100} \right)^4 - (T/100)^4 \right] = \left[(T/100)^4 - \left(\frac{150 + 273}{100} \right)^4 \right]$$

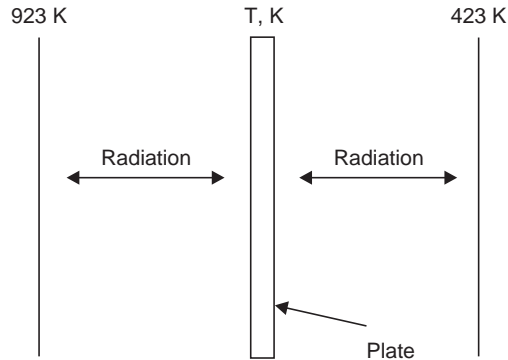


Fig. 1.15

Therefore $T = 784.6\text{K}$ or 511.6°C

Later, this concept will be called as radiation shielding. The calculation of the heat flow with and without the intervening sheet will show that the heat flow is reduced by half.

$$\text{With sheet, } Q_1 = 5.67 \left[\left(\frac{650 + 273}{100} \right)^4 - (784.6 / 100)^4 \right] = 19664.9 \text{ W}$$

$$\begin{aligned} \text{Without the sheet, } Q_2 &= 5.67 \left[\left(\frac{650 + 273}{100} \right)^4 - \left(\frac{150 + 273}{100} \right)^4 \right] \\ &= 39336.66 \text{ which is } 2 \times Q_1. \end{aligned}$$

Problem 14: Air at 120°C flows over a plate 20 mm thick and the temperatures in the middle 10 mm layer of the plate was measured using thermo couples and were found to be 42°C and 30°C . The thermal conductivity of the material is known to be 22.5 W/mK . Determine the average convection coefficient over the plate.

Solution: The surface temperature T_s and Q can provide the means for the determination of the convection coefficient.

Using the rate equation,

$$Q = hA(T_s - T_\infty).$$

Using the temperature drop and the thermal conductivity of the wall material, Q can be determined using

$$\begin{aligned} Q &= \frac{\Delta T}{L/kA} = \frac{(42 - 30)}{(0.01/22.5 \times 1)} \\ &= 27000 \text{ W/m}^2 \end{aligned}$$

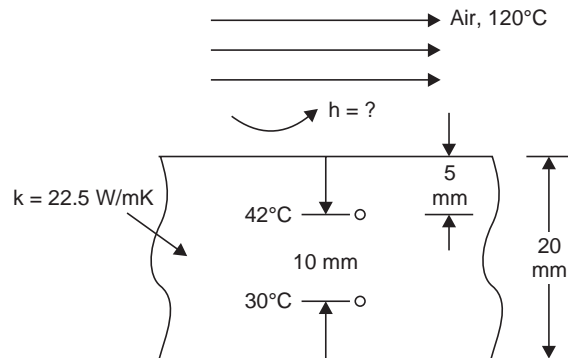


Fig. 1.16

The **surface temperature** can be found assuming the material to be isotropic and having constant thermal conductivity. The drop in temperature over a 10 mm layer is, $42 - 30 = 12^\circ\text{C}$. Hence, over 5 mm , the drop will be 6°C . Hence the surface temperature = $42 + 6 = 48^\circ\text{C}$.

Substituting, $27000 = h \times 1 (120 - 48)$

Therefore, $h = 375 \text{ W/m}^2\text{K}$.

Problem 15: In a solar flat plate heater some of the heat is absorbed by a fluid while the remaining heat is lost over the surface by convection the bottom being well insulated. The fraction absorbed is known as the efficiency of the collector. If the flux incident has a value of 800 W/m^2 and if the collection temperature is 60°C while the outside air is at 32°C with a convection coefficient of $15 \text{ W/m}^2\text{K}$, determine the collection efficiency. Also find the collection efficiency if collection temperature is 45°C .

Solution: The heat lost by convection = $Q = hA(T_1 - T_2)$

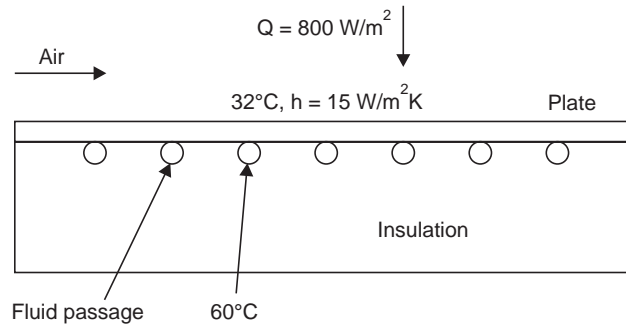


Fig. 1.17

Assuming unit area , $Q = 15 \times 1(60 - 32) = 420 \text{ W}$

Therefore efficiency of the collector = $\frac{800 - 420}{800} = 0.475$ or **47.5%**.

If collection temperature is 45°C ,

Heat lost by convection = $15 \times 1(45 - 32) = 195 \text{ W}$

Collection **efficiency** = $\frac{800 - 195}{800} = 0.75625$ or **75.625%**

The efficiency improves with lower collection temperature and also with lower convection heat transfer coefficient over the surface. The efficiency at various collection temperatures are tabulated.

Solar heat flux: 800 W/m^2 , $h = 15 \text{ W/m}^2\text{K}$. Ambient temp = 32°C

Collection temp.	$^\circ\text{C}$	40	50	60	70	80	85.34
Efficiency	%	85	66.25	47.5	28.75	10	0.0

Problem 16: A glass plate at 40°C is heated by passing hot air over it with a convection coefficient of $18 \text{ W/m}^2\text{K}$. If the temperature change over 1mm thickness is not to exceed 5°C to avoid distortion damage, determine the maximum allowable temperature of the air. Thermal conductivity of the plate material is 1.4 W/mK .

Solution: The heat flow by conduction = heat flow by convection

The conduction heat flow is found using the allowable temperature drop over 1mm thickness. (Fig. 1.18)

$$Q = \frac{T_1 - T_2}{L / kA}$$

Assuming unit area,

$$Q = \frac{5}{0.001 / (1.4 \times 1)} = 7000 \text{ W}$$

Therefore,

$$\begin{aligned} 7000 &= hA(T_{\text{air}} - 40) \\ &= 18(T_{\text{air}} - 40) \end{aligned}$$

Therefore, $T_{\text{air}} = 428.9^\circ\text{C}$.

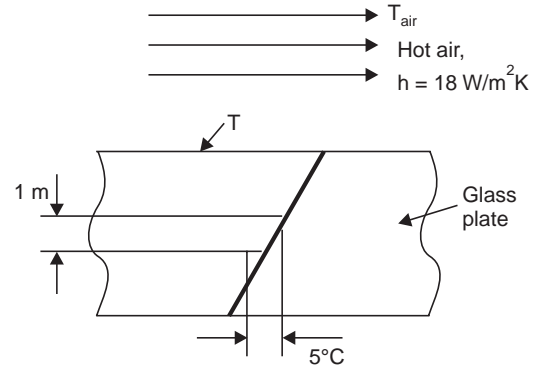


Fig. 1.18

Problem 17: A surface at 260°C convects heat at steady state to Air at 60°C with a convection coefficient of $30 \text{ W/m}^2\text{K}$. If this heat has to be conducted through wall with thermal conductivity of 9.5 W/mK , determine the temperature gradient in the solid.

Solution: Energy balance yields the relation, heat conducted = heat convected

Assuming Unit area

$$= -kA(dT/dx) = hA(T_2 - T_\infty)$$

Therefore $dT/dx = (-h/k)(T_2 - T_\infty)$

$$(30/9.5)(260 - 60) = -631.5^\circ\text{C/m}$$

or, -6.315°C/cm .

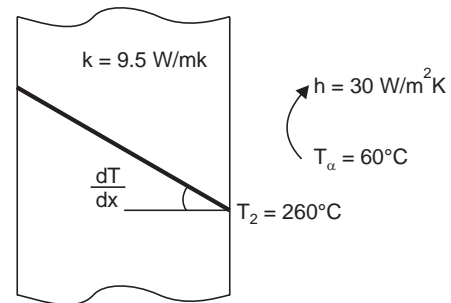


Fig. 1.19

Problem 18: A thin metal sheet receives heat on one side from a fluid at 80°C with a convection coefficient of $100 \text{ W/m}^2\text{K}$ while on the other side it radiates to another metal sheet parallel to it. The second sheet loses heat on its other side by convection to a fluid at 20°C with a convection coefficient of $15 \text{ W/m}^2\text{K}$. Determine the steady state temperature of the sheets. The two sheets exchange heat only by radiation and may be considered to be black and fairly large in size.

Solution: The energy balance provides (Fig. 1.19) heat received convection by

sheet 1 = heat radiation exchange between sheet 1 and 2.

= heat convected by sheet 2.

$$h_1A(T_{\infty 1} - T_1) = \sigma A(T_1^4 - T_2^4) = h_2A(T_2 - T_{\infty 2})$$

Substituting the values: considering unit area

$$100 \times 1(353 - T_1) = 15 \times 1(T_2 - 293)$$

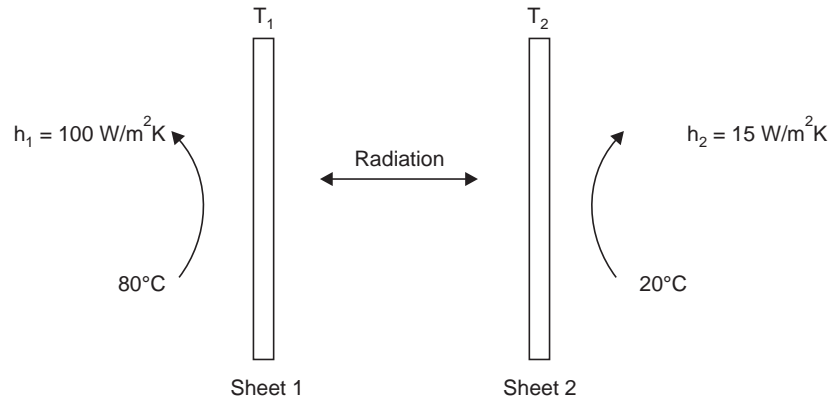


Fig. 1.20

Therefore, $T_2 = (100/15)(353 - T_1) + 293$. Considering radiation,
 $100 \times 1(353 - T_1) = 5.67 \times 1[(T_1/100)^4 - (T_2/100)^4]$
 Combining, $17.64(353 - T_1) + (26.46 - T_1/15)^4 - (T_1/100)^4 = 0$
 This is solved by trial for T_1 .

Temperature T_1	345	349	350	346.9	349.95
residue	142.76	26.19	-1.57	1.18	-0.20

Hence, $T_1 = 349.95$ and $T_2 = 313.33$ K

Check: $100(353 - 349.95) = 305$ W

$15(313.13 - 293) = 305$ W

$5.67(3.4995^4 - 3.1333^4) = 303.81$ W hence checks.

Problem 19: Heat is conducted at steady state through a solid with temperature gradient of $-5^\circ\text{C}/\text{cm}$, the thermal conductivity of the solid being 22.5 W/mK . If the heat is exchanged by radiation from the surface to the surroundings at 30°C , determine the surface temperature.

Solution: Energy balance yields the relation (Fig. 1.21)

Heat conducted = heat radiated

$$-kA.dT/dx = \sigma A(T_2^4 - T_s^4)$$

Considering unit area and substituting the values

$$-22.5 \times -5 \times 100 = 5.67 [(T_2/100)^4 - (303/100)^4]$$

(The gradient should be converted to $^\circ\text{C}/\text{m}$ by multiplying by 100)

Therefore $T_2 = 674.4\text{K}$ or 401.4°C .

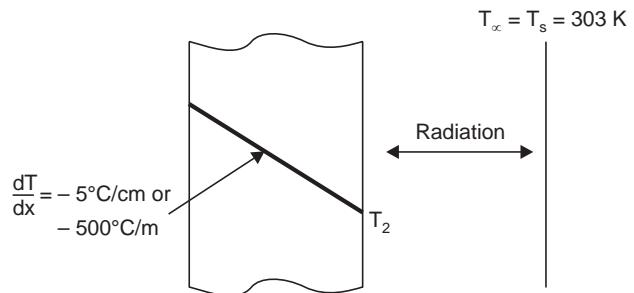


Fig. 1.21

Problem 20: A satellite in space is of 2m dia and internal heat generation is 2000 W. If it is protected from direct solar radiation by earths shadow determine its surface temperature.

Solution: In the absence of atmosphere the only possible way heat is dissipated is by radiation. The temperature of the space may taken as 0K.

Hence heat generated = heat radiated.

$$2000 = 4\pi \times 1^2 \times 5.67 \left\{ \left(\frac{T}{100} \right)^4 - 0 \right\}$$

$$\therefore \quad \mathbf{T = 230.18K.}$$

Problem 21: A heat flux meter on the outside surface of a wall shows 10 W/m². The wall is 0.2 m thick and conductivity is 1.5 W/mK. Determine the temperature drop through the wall.

Solution: $Q = \frac{\Delta T}{R}$ or $\Delta T = QR$. $R = \frac{L}{kA}$, $A = 1$, $Q = 10\text{J/s}$.

$$\therefore \quad \Delta T = 10 \times 0.2 / (1.5 \times 1) = \mathbf{1.33^\circ C.}$$

EXERCISE PROBLEMS

1.1 Model the following heat transfer situations. Specify heat flows and storages. Try to write down the mathematical expressions.

- (i) Solar heating of the road surface
- (ii) A steam pipe passing through an open space between two buildings
- (iii) Heat transfer from a person in a warm room in the cold season
- (iv) Pressure cooker-warming up-cooling down
- (v) Pressure cooker-steady conditions
- (vi) A rod with one end in a furnace and the remaining surface in atmosphere
- (vii) A wire carrying current, exposed to air
- (viii) A water heater (electrical) with hot water being drawn out with cold water admission.
- (ix) Cake being baked in an oven or a fruit placed in a refrigeration
- (x) A frying pan placed on a stove.

1.2 Choose the correct statement in each question.

- (i) A pipe carrying steam at about 300°C traverses a room, the air being still at 30°C. The major fraction of the heat loss will be by (a) conduction to the still air (b) convection to the air (c) radiation to the surroundings (d) conduction and convection put together.
- (ii) A satellite in space exchanges heat with its surroundings by (a) conduction (b) convection (c) radiation (d) conduction as well as convection.
- (iii) For the same temperature drop in the temperature ranges of 300–400°C the heat flow rate will be highest by (a) conduction process (b) convection process (c) radiation process (d) other factors should be known before any conclusion.
- (iv) In the cold season a person would prefer to be near a fire because (a) the conduction from the fire will be better (b) the convection will be better if he is near the fire (c) direct unimpeded radiation will provide quick warmth (d) combined conduction and convection will be better.
- (v) A finned tube hot water radiator with a fan blowing air over it is kept in rooms during winter. The major portion of the heat transfer from the radiator to air is due to
 - (a) radiation
 - (b) convection
 - (c) conduction
 - (d) combined conduction and radiation.
- (vi) For a specified heat input and a given volume which material will have the smallest temperature rise (Use data book if necessary) (a) steel (b) aluminium (c) water (d) copper.

- (vii) When a hot metal piece is left to cool in air the time rate of cooling of the outer layer will be
- slower at start and faster near the end
 - faster at start and slower near the end
 - both rates will be the same
 - this will depend on the material.
- (viii) A thin black plate at temperature T receives radiation from a surface at Temperature T_1 and radiates to a surface at T_2 . If all surfaces are black at steady state
- $(T_1 - T) > (T - T_2)$
 - $(T_1 - T) < (T - T_2)$
 - $(T_1 - T) = (T - T_2)$
 - can be any one of a , b or c .
- (ix) The temperature profile (in) a slab initially at a constant temperature and then allowed to cool by convection for a short time will be as shown in Fig :
- E1.2a
 - E1.2b
 - E1.2c
 - E1.2d.

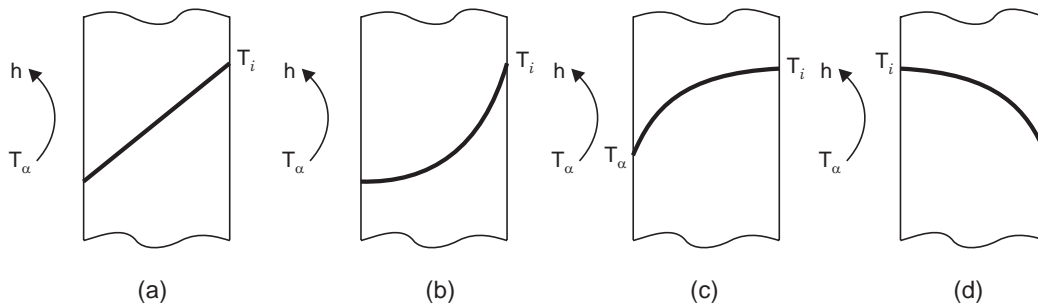


Fig. 1.22

- Answer to problem 1.2:** (i) c , (ii) c , (iii) d , (iv) c , (v) b , (vi) c , (vii) b , (viii) b , (ix) c .
- A wall is exposed on one side to a heat flux of 1.5 kW/m^2 which is conducted through the wall. For the following combinations, determine the temp drop through the wall (a) thickness 0.16 m and $k = 1.4, 15, 25, 45, 210$ and 340 W/mK . (ii) Thickness 0.25 m and k as above. Plot the temperature drop against the ratio (L/k) and also (k/L) .
 - The heat flux through a layer of material 40 mm thick conducting heat under steady state with a temperature drop of 40°C , was measured as 106 W . Determine the thermal conductivity of the material.
 - A glass pane is 8 mm thick and the inside surface temperature was 25°C and outside surface temperature was 33°C . If $k = 1.4 \text{ W/mK}$ determine the heat flow through an area of $0.8 \text{ m} \times 1 \text{ m}$ size pane.
 - The surface temperature of a plate over which air flows was measured as 80°C . The air temperature was 40°C . In order to maintain the surface temperature over an area of 0.1 m^2 , the heater rating required was found to be 1.5 kW . Determine the value of convection coefficient.
 - A strip heater of area 0.2 m^2 and rating of 1200 W is fixed on a vertical wall and mostly convects the heat into the room air at 20°C . Determine the value of convective heat transfer coefficient if the surface temperature of the heater is not to exceed 60°C . Indicate whether such a value can be achieved by natural convection.
 - A strip heater with an area of 0.05 m^2 has to radiate at 600°C to surroundings at 30°C . Determine the rating assuming that convection is negligible.
 - The filament of an incandescent lamp of 60 W rating has a total surface area of 40 mm^2 . If the surrounding is at 30°C and if 90% of the power is converted to heat and radiated, determine the temperature of the filament.

- 1.10 A sphere of 0.5m diameter containing hot fluid has an insulation of 0.1m thickness. Before adding the insulation, the surface temperature was 260°C and heat loss was mainly due to radiation. After adding the insulation, the surface temperature is reduced to 160°C and again the heat loss is mainly due to radiation, the surroundings in both cases being at 25°C. Determine the change in heat transfer rate.
- 1.11 A surface maintained at 80°C dissipates heat to surroundings at 25°C both by radiation and convection. If convection accounts for 60% of heat loss, determine the value of convection coefficient and also the total heat loss.
- 1.12 A pipe of internal diameter 0.2m and wall thickness 0.008m carries steam at 220°C, the thermal conductivity of the material is 12.5 W/mK. Heat is lost from the outside surface by convection to surroundings at 30°C. Determine the outside surface temperature if the convection coefficient has a value of 38.5 W/m². Also find the heat loss /m length.
- 1.13 Considering the problem 12, if the heat loss from the surface is only by radiation, determine the surface temperature.
- 1.14 If in problem 12, the loss from the surface is both by radiation and convection, determine the surface temperature.
- 1.15 A flat plate solar collector absorbs 80% of radiation of 820 W/m² received. The top loss coefficient is 12 W/m²K. Determine the temperature of heat collection if the efficiency of collection is 0.6.
- 1.16 Heat is generated in a solid having a total surface area of 0.56m² and a volume of 0.26m³ at a rate of 1MW/m³. Determine the surface temperature if the heat is convected as well as radiated to the surroundings at 27°C. The convective heat transfer coefficient has a value of 245 W/m²K.
- 1.17 A thermocouple junction of 2mm dia spherical shape receives heat from a flowing fluid at 800°C with a convection coefficient of 250 W/m²K and radiates to the surroundings at 450°C. Determine the temperature of the surface at equilibrium.
- 1.18 Repeat the problem 1.17 for a cylinder of 2mm diameter and 8mm length with convection coefficient of 125 W/m²K.
- 1.19 One side of an insulation layer of 25mm thickness is maintained at 300°C, while the other side is exposed to convection at 30°C with a convective heat transfer coefficient of 400 W/m²K. Determine the surface temperature neglecting radiation. Also find the heat flow. Conductivity of the material is 40 W/mK.
- 1.20 Repeat problem No. 1.19, if radiation is also present on the other side to the same surrounding temperature.
- 1.21 A steel billet of 0.2m × 0.2m × 0.4m lies on its 0.2m × 0.4m face on the floor of a furnace and is exposed to radiation on all the other faces from a source at 1500°C. The density of the material is 7830 kg/m³ and the specific heat is 960 J/kgK. Determine the rate of rise in the average temperature of the billet when its surface temperature is 500°C. Will the heating rate increase or decrease with rise in temperature of the surface?
- 1.22 For an air conditioned space, a double glass window pane with a thin air gap between the plates the preferred when compared to a single glass pane. Discuss the reasons for the above.
- 1.23 Heat is convected and also radiated from the surface of a solid at 160°C to the surroundings at 30°C. The convection coefficient is 45 W/m²K. Assuming the solid to be isotropic and to have constant properties and the heat is conducted through the solid at steady state, determine the temperature gradient in the solid for $k = 15$, $k = 45$, $k = 210$ and $k = 340$ W/mK.
- 1.24 Heat is conducted through a solid layer of 0.3m and is then convected at the surface. The temperature drop in the solid and the temperature drop in the convective layer are equal. The conductivity of the material is 12.5 W/mK. Determine the value of convection coefficient. Also evaluate the conduction and convection resistances.
- 1.25 The temperature gradient in a solid of thermal conductivity $k = 12.5$ W/mK, conducting heat under steady conditions is $-6^\circ\text{C}/\text{cm}$. If the heat is radiated at the surface, determine the temperature at the surface. The surroundings are at 30°C.

- 1.26 In a solid conducting heat at steady state, sketch the variation of the temperature gradient if (i) the thermal conductivity increases along the thickness (ii) the thermal conductivity decreases along the thickness.
- 1.27 The temperature variation along a slab is shown in Fig. 1.27. Determine the heat flow directions at locations x_1 , x_2 , x_3 and x_4 .

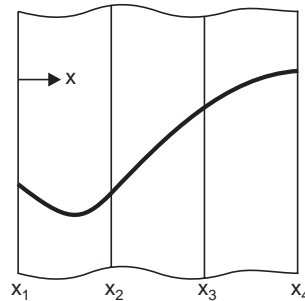


Fig. 1.27

- 1.28 Discuss the conditions at which (under thermal conduction) the following temperature variations as in Fig. 1.28 in a slab is possible.

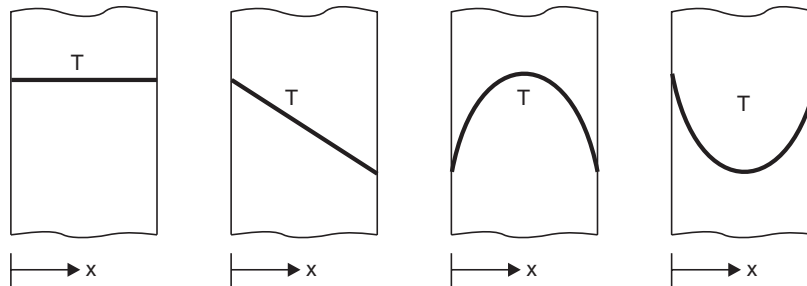


Fig. 1.28

- 1.29 A surface at 200°C receives a radiation flux of 800 W/m^2 and reflects 40% of the same. It also radiates with an emissivity of 0.6. Determine the total radiation flux coming out of the surface (This is also known as radiosity).
- 1.30 A surface receives radiation from another surface at 400°C and having an emissivity of 0.6 and also the reflected radiation originating from the surface with emissivity of 0.5 and 200°C . Calculate the total radiation flux incident on the surface (This is also known as irradiation).
- 1.31 Calculate the value of h_r between two surfaces at 100°C and 200°C . Also investigate the percentage variation in h_r as the surface temperature of the second surface increases to 300°C and 400°C .
- 1.32 A small thin metal plate absorbs solar energy at the rate 500 W/m^2 and dissipates it by convection into ambient air at 300 K. The convection coefficient is $20 \text{ W/m}^2\text{K}$ and by radiation to the surroundings it at 280 K. The surface emissivity is 0.9. The backside of the plate is insulated. Determine the temperature of the plate.
- [Ans. 315.5 K]
- 1.33 A thin metal sheet is placed between two large parallel surfaces. The surface 1 is at 1000 K. The other surface 2 is at 400 K. Assume black body condition and determine the temperature of the thin metal sheet.

2

STEADY STATE CONDUCTION

2.0 CONDUCTION

Conduction is the mode of energy transfer as heat due to temperature difference in a solid or any phase of material where the mass is contiguous and in thermal contact. Microscopically this mode of energy transfer is attributed to free electron flow from higher to lower energy levels, lattice vibration and molecular collision. However no macroscopic mass movement is involved. The applications have been indicated earlier.

2.1 THE GENERAL MODEL FOR CONDUCTION STUDY

The general model for conduction study is a body in which

- (i) heat flows in all the coordinate directions
- (ii) heat is generated uniformly all over the volume and
- (iii) the temperature at any location in the body changes with time. In addition, the properties also vary with the coordinate directions.

The energy equation for the model is given below for a time period considered.

The net heat flow through the body surface in all the coordinate directions considered + heat generated in the volume = the energy stored

$$\text{This can be reduced to } (Q_k + qV) d\tau = \rho cV dT \quad \dots(2.1)$$

Where Q_k — heat conducted over all surfaces, W

q — heat generation for unit volume, W/m³

V — Volume, m³

ρ — density kg/m³

c — Specific heat J/kg K

dT — Change in temperature during time period considered °C

$d\tau$ — Time period considered, s

The temperature in the body will be a function of location and time. In the popular cartesian coordinates

$$T = T(x, y, z, \tau)$$

The temperature field is obtained by deriving and solving the differential equation based on energy balance relations for the volume.

2.1.1. Considering the subvolume with dimensions dx , dy and dz in the cartesian coordinate system and taking a time interval $d\tau$, and noting that temperature is a function of all the four, the following steps lead to the general differential equation (Ref. Fig. 2.1(a)).

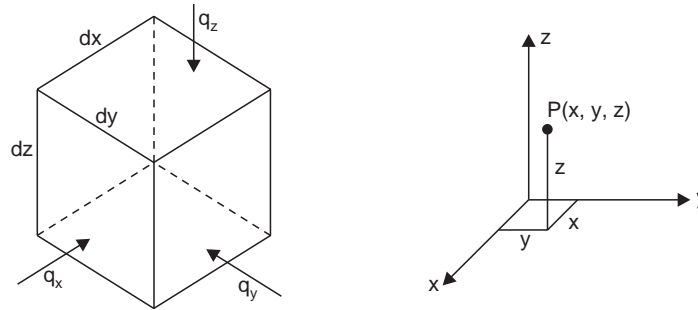


Fig. 2.1. (a) An elemental volume considered in cartesian coordinates.

The heat flow by conduction through the boundary is obtained by considering the conduction over all six faces. The area perpendicular to x direction has a value $dydz$. Using

Fourier's law, the heat flow at the $dydz$ face at x over time period $d\tau = -k dydz \cdot \frac{\partial T}{\partial x} d\tau$

$$\text{The flow at } x + dx \text{ is } = -k dy dz d\tau \frac{\partial T}{\partial x} + \frac{\partial}{\partial x} \left(-k dy dz d\tau \frac{\partial T}{\partial x} \right) dx$$

The net flow in the x direction is obtained by taking the sum of these two which yields

$$\frac{\partial}{\partial x} \left(k \cdot \frac{\partial T}{\partial x} \cdot dy dz d\tau \right) dx = \frac{\partial}{\partial x} \left(k \cdot \frac{\partial T}{\partial x} \right) dx dy dz d\tau$$

Similar consideration in y and z directions give

$$\frac{\partial}{\partial y} \left(k \frac{\partial T}{\partial y} \right) dx d\tau dz dy \quad \text{and} \quad \frac{\partial}{\partial z} \left(k \frac{\partial T}{\partial z} \right) dx dy d\tau dz$$

Heat generated in the volume during $d\tau$ is given by $\dot{q} dx dy dz d\tau$

The change in the energy of this volume over the time $d\tau$ when temperature changes is $\rho c dx dy dz \partial T$.

The sum is simplified by assuming dx , dy and dz do not change along the coordinate directions and k is constant

$$\frac{\partial^2 T}{\partial x^2} + \frac{\partial^2 T}{\partial y^2} + \frac{\partial^2 T}{\partial z^2} + \frac{\dot{q}}{k} = \frac{\rho c}{k} \cdot \frac{\partial T}{\partial \tau} \quad \dots(2.2)$$

$\frac{k}{\rho c}$ is defined as thermal diffusivity denoted by α .

$$\therefore \frac{\partial^2 T}{\partial x^2} + \frac{\partial^2 T}{\partial y^2} + \frac{\partial^2 T}{\partial z^2} + \frac{\dot{q}}{k} = \frac{1}{\alpha} \cdot \frac{\partial T}{\partial \tau} \quad \dots(2.3)$$

If say k varies with location it should be within the differential like $\frac{\partial}{\partial x} \left(k \frac{\partial T}{\partial x} \right)$ and the integration of the equation has to consider the functionality of k with direction.

2.1.2. Similar steps may be followed to obtain the following differential equations in the cylindrical and spherical coordinate systems. Here it has to be noted that the area value changes in the coordinate directions.

In cylindrical coordinate (r, Φ, z) , Fig. 2.1 (b), we get

$$\frac{1}{r} \frac{\partial}{\partial r} \left(kr \frac{\partial T}{\partial r} \right) + \frac{1}{r^2} \frac{\partial}{\partial \Phi} \left(k \frac{\partial T}{\partial \Phi} \right) + \frac{\partial}{\partial z} \left(k \frac{\partial T}{\partial z} \right) + q = \rho c \frac{\partial T}{\partial \tau} \quad \dots(2.4)$$

With k constant eqn. in 2.4 reduces to

$$\frac{1}{r} \frac{\partial}{\partial r} \left(r \frac{\partial T}{\partial r} \right) + \frac{1}{r^2} \frac{\partial^2 T}{\partial \Phi^2} + \frac{\partial^2 T}{\partial z^2} + \frac{q}{k} = \frac{1}{\alpha} \cdot \frac{\partial T}{\partial \tau} \quad \dots(2.4a)$$

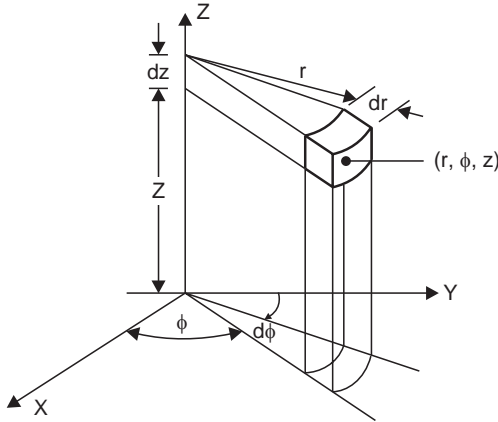


Fig. 2.1. (b) Elemental volume in cylindrical coordinates.

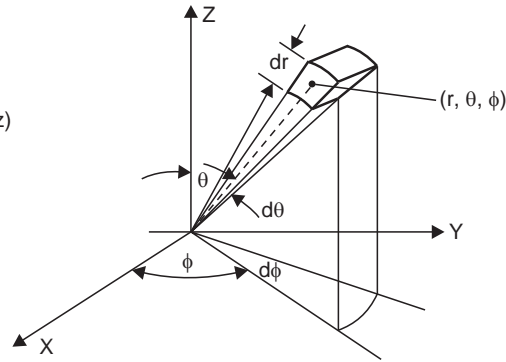


Fig. 2.1. (c) Elemental volume in spherical coordinates.

In spherical coordinates (r, Φ, θ) , Fig. 2.1(c), we get

$$\begin{aligned} \frac{1}{r^2} \frac{\partial}{\partial r} \left(kr^2 \frac{\partial T}{\partial r} \right) + \frac{1}{r^2 \sin^2 \theta} \cdot \frac{\partial}{\partial \Phi} \left(k \frac{\partial T}{\partial \Phi} \right) \\ + \frac{1}{r^2 \sin \theta} \cdot \frac{\partial}{\partial \theta} \left(k \sin \theta \frac{\partial T}{\partial \theta} \right) + q = \rho c \left(\frac{\partial T}{\partial \tau} \right) \end{aligned} \quad \dots(2.5)$$

With k constant eqn. 2.5 reduces to

$$\begin{aligned} \frac{1}{r^2} \frac{\partial}{\partial r} \left(r^2 \frac{\partial T}{\partial r} \right) + \frac{1}{r^2 \sin^2 \theta} \cdot \left(\frac{\partial^2 T}{\partial \Phi^2} \right) \\ + \frac{1}{r^2 \sin \theta} \cdot \frac{\partial}{\partial \theta} \left(\sin \theta \frac{\partial T}{\partial \theta} \right) + \frac{q}{k} = \frac{1}{\alpha} \left(\frac{\partial T}{\partial \tau} \right) \end{aligned} \quad \dots(2.5a)$$

2.1.3. The complete solutions to the general model is rather complex. Some of the simplified models for which solutions are attempted are listed below:

1. One dimensional steady flow (x or r directions) with constant or variable properties, without heat generation.
2. Same as above but with heat generation
3. Two dimensional steady flow (with constant properties, without heat generation) and
4. One dimensional unsteady state without heat generation.

The simplified expressions in these cases in the various coordinate systems are

Cartesian

$$\frac{\partial}{\partial x} \left[k \frac{\partial T}{\partial x} \right] = 0 \text{ and } \frac{\partial^2 T}{\partial x^2} = 0$$

$$\frac{\partial^2 T}{\partial x^2} + \frac{\dot{q}}{k} = 0$$

$$\frac{\partial^2 T}{\partial x^2} = \frac{1}{\alpha} \cdot \frac{\partial T}{\partial \tau} \quad \dots(2.6a, b, c)$$

Cylindrical coordinates

$$\frac{1}{r} \frac{\partial}{\partial r} \left[kr \frac{\partial T}{\partial r} \right] = 0 \text{ and } \frac{1}{r} \frac{\partial}{\partial r} \left[r \frac{\partial T}{\partial r} \right] = 0$$

$$\frac{1}{r} \frac{\partial}{\partial r} \left[r \frac{\partial T}{\partial r} \right] + \frac{\dot{q}}{k} = 0$$

$$\frac{1}{r} \frac{\partial}{\partial r} \left[r \frac{\partial T}{\partial r} \right] = \frac{1}{\alpha} \frac{\partial T}{\partial \tau} \quad \dots(2.7a, b, c)$$

Spherical coordinates

$$\frac{1}{r^2} \frac{\partial}{\partial r} \left[kr^2 \frac{\partial T}{\partial r} \right] = 0 \text{ and } \frac{1}{r^2} \frac{\partial}{\partial r} \left[r^2 \frac{\partial T}{\partial r} \right] = 0$$

$$\frac{1}{r^2} \frac{\partial}{\partial r} \left[r^2 \frac{\partial T}{\partial r} \right] + \frac{\dot{q}}{k} = 0$$

$$\frac{1}{r^2} \frac{\partial}{\partial r} \left[r^2 \frac{\partial T}{\partial r} \right] = \frac{1}{\alpha} \frac{\partial T}{\partial \tau} \quad \dots(2.8a, b, c)$$

These sets of equations 2.6, 2.7 and 2.8 can be integrated and these solutions follow in this and subsequent chapters.

Presently softwares are available to model and solve conduction problems for various types of boundary and initial conditions. However it is necessary to have a basic understanding of the problem. Today all design offices use one of the many available softwares. Hence the learner should become familiar with such software if he wants to be prepared for a career.

2.2.0 STEADY CONDUCTION IN ONE DIRECTION (ONE DIMENSIONAL)

2.2.1. Plane wall: Steady flow in the x direction, (Fig. 2.2)

Assuming constant properties, the problem can be solved by applying the basic law due to Fourier or by integrating the simplified differential equation (2.6a)

From Fourier's law

$$Q = -kA \frac{dT}{dx}$$

As k and A are constants, the equation can be integrated to obtain

$$Q = kA \frac{T_1 - T_2}{x_2 - x_1} \quad \dots(2.9)$$

Taking $x_2 - x_1 = L$

$$Q = \frac{T_1 - T_2}{(L/kA)} \quad \dots(2.10)$$

where L/kA is called thermal resistance

Integrating equation 6a

$$\frac{\partial^2 T}{\partial x^2} = 0, \quad \frac{\partial T}{\partial x} = c_1, \quad T = c_1 x + c_2.$$

$$\text{At } x = x_1, \quad T = T_1 \quad \therefore \quad T_1 = c_1 x_1 + c_2 \quad \dots(A)$$

$$\text{At } x = x_2, \quad T = T_2 \quad \therefore \quad T_2 = c_1 x_2 + c_2 \quad \dots(B)$$

$$(A - B) \text{ leads to} \quad c_1 = \frac{T_1 - T_2}{x_1 - x_2}$$

$$\text{From } A \quad c_2 = T_1 - c_1 x_1 = T_1 - \frac{T_1 - T_2}{x_1 - x_2} \cdot x_1$$

Substituting in the general solution

$$T = \frac{T_1 - T_2}{x_1 - x_2} \cdot x + T_1 - \frac{T_1 - T_2}{x_1 - x_2} x_1$$

$$\therefore \quad T - T_1 = \frac{T_1 - T_2}{x_1 - x_2} \cdot (x - x_1)$$

$$\text{or} \quad \frac{T - T_1}{T_1 - T_2} = \frac{x - x_1}{x_1 - x_2}$$

$$\text{or} \quad \frac{T_1 - T}{T_1 - T_2} = \frac{x - x_1}{x_2 - x_1} \quad \dots(2.11)$$

$$Q = -kA \frac{dT}{dx}, \text{ but } \frac{dT}{dx} = c_1 = \frac{T_1 - T_2}{x_1 - x_2}$$

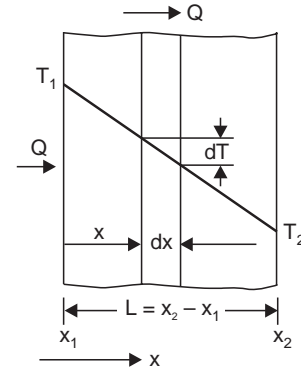


Fig. 2.2. Conduction-Plane wall.

$$\therefore Q = -kA \cdot \frac{T_1 - T_2}{x_1 - x_2} = kA \cdot \frac{T_1 - T_2}{x_2 - x_1} \text{, same as eqn 2.9}$$

For a wall made of several layers of different materials (Fig. 2.3), using the condition that heat flow through one layer is equal to the heat flow through the other layers,

First layer: $Q = \frac{T_1 - T_2}{L_1 / k_1 A}$ or $T_1 - T_2 = Q \frac{L_1}{k_1 A}$

Second layer $Q = \frac{T_2 - T_3}{L_2 / k_2 A}$ or $T_2 - T_3 = Q \cdot \frac{L_2}{k_2 A}$

Third layer $Q = \frac{T_3 - T_4}{L_3 / k_3 A}$ or $T_3 - T_4 = Q \frac{L_3}{k_3 A}$

Adding $T_1 - T_4 = Q \cdot \left\{ \frac{L_1}{k_1 A} + \frac{L_2}{k_2 A} + \frac{L_3}{k_3 A} \right\}$ or $Q = \frac{(T_1 - T_4)}{\frac{L_1}{k_1 A} + \frac{L_2}{k_2 A} + \frac{L_3}{k_3 A}}$,

In general $Q = \frac{\Delta T}{\frac{L_1}{k_1 A} + \frac{L_2}{k_2 A} + \frac{L_3}{k_3 A} + \dots}$... (2.12)

Any interface temperature can be obtained using

$$Q = \frac{\Delta T_i}{R_i} \text{ ... (2.13)}$$

where ΔT_i is the temperature drop in layer i and $R_i = L_i / (k_i A)$

In case convection is involved on either side with $T_{\infty 1}$, h_1 and $T_{\infty 2}$ and h_2

$$Q = \frac{T_{\infty 1} - T_{\infty 2}}{R_{c1} + R_1 + \dots + R_{c2}} \text{ ... (2.14)}$$

where $R_{c1} = \frac{1}{h_1 A}$ and $R_{c2} = \frac{1}{h_2 A}$ are convection resistances.

In certain cases contact between two layers may not be perfect, introducing contact resistance. Some typical values can be found in data books. This resistance is due to the surface roughness leading to material contact at high spots only. A temperature drop will occur at the interface

$$Q = \frac{\Delta T}{R_{c1} + R_1 + R_{s1} + \dots + R_{c2}} \text{ ... (2.15 a)}$$

Where R_{s1} is the contact resistance between the first and second layers. The temperature variation in such a case is shown in Fig. Ex. 2.1.

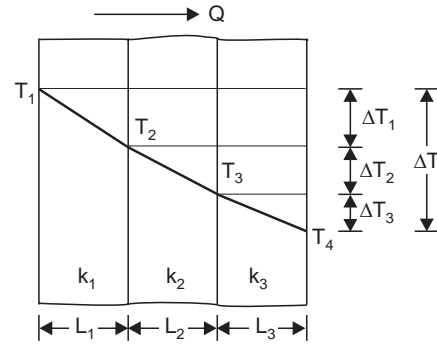


Fig. 2.3. Composite wall-conduction.

The contact resistance will depend on the material, surface roughness, the fluid between surfaces and the pressure applied. However, contact resistance may not be considered at the first instance in many situations. Refer Fig. Ex. 2.1.

A overall heat transfer coefficient is also used for convenience where $Q = UA \Delta T$ where

$$UA = \frac{1}{R_1 + R_2 + R_3 + \dots} \quad \dots(2.15b)$$

Example 2.1: A furnace wall is of three layers, first layer of insulation brick of 12 cm thickness of conductivity 0.6 W/mK. The face is exposed to gases at 870°C with a convection coefficient of 110 W/m²K. This layer is backed by a 10 cm layer of firebrick of conductivity 0.8 W/mK. There is a contact resistance between the layers of $2.6 \times 10^{-4} \text{ m}^2 \text{ }^\circ\text{C/W}$. The third layer is the plate backing of 10 mm thickness of conductivity 49 W/mK. The contact resistance between the second and third layers is $1.5 \times 10^{-4} \text{ m}^2 \text{ }^\circ\text{C/W}$. The plate is exposed to air at 30°C with a convection coefficient of 15 W/m²K. Determine the heat flow, the surface temperatures and the overall heat transfer coefficient.

Solution: The data and equivalent circuit are shown in Fig Ex. 2.1(a).

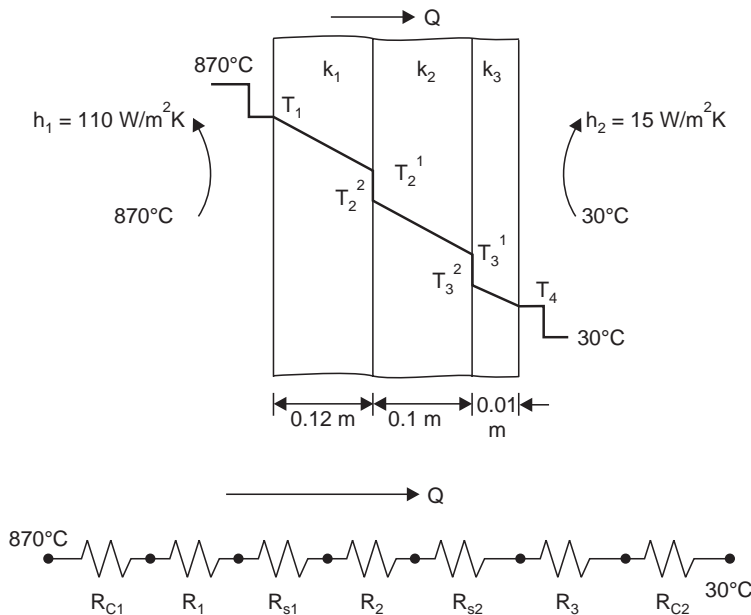


Fig. Ex. 2.1. Composite wall.

Using equation 2.5

$$Q = \frac{\Delta T}{\Sigma R}$$

The resistances ($^\circ\text{C/W}$) are: Taking $A = 1.0 \text{ m}^2$,

$$R_{C1} = \frac{1}{h_1 A} = \frac{1}{110} \quad \Delta T = T_{\infty 1} - T_{\infty 2} = (870 - 30) = 840^\circ\text{C}$$

$$R_1 = \frac{L_1}{k_1 A} = (0.12/0.6) \quad R_{S1} = 2.6 \times 10^{-4}$$

$$R_2 = \frac{L_2}{k_2 A} = (0.1/0.8) \quad R_{s2} = 1.5 \times 10^{-4}$$

$$R_3 = \frac{L_3}{k_3 A} = \frac{0.01}{49} \quad R_{C2} = 1/15$$

$$\therefore Q = \frac{840}{\frac{1}{110} + \frac{0.12}{0.6} + 2.6 \times 10^{-4} + \frac{0.1}{0.8} + 1.5 \times 10^{-4} + \frac{0.01}{49} + \frac{1}{15}}$$

$$= 2092.8 \text{ W/m}^2$$

$Q = UA \Delta T$. Where U is the overall heat transfer coefficient.

$$\text{As } A = 1 \quad \therefore U = \frac{Q}{\Delta T} = \frac{2092.8}{840} = 2.491 \text{ W/m}^2\text{°C}$$

Surface temperatures:

$$Q = \frac{T_{\infty 1} - T_1}{1/h_1}$$

$$\therefore Q \times \frac{1}{h_1} = T_{\infty 1} - T_1 \text{ or } \frac{2092.8}{110} = 870 - T_1$$

$$\therefore \mathbf{T_1 = 850.97^\circ\text{C}}$$

Similarly

$$Q = \frac{T_1 - T_2^1}{\frac{0.12}{0.6}} \quad \therefore \mathbf{T_2^1 = 432.40^\circ\text{C}}$$

$$Q \times R_{s1} = (T_2^1 - T_2^2) \quad \therefore \mathbf{T_2^2 = 431.86^\circ\text{C}}$$

$$Q = \frac{T_2^2 - T_3^1}{0.1/0.8} \quad \therefore \mathbf{T_3^1 = 170.26^\circ\text{C}}$$

$$Q \times R_{s2} = T_3^1 - T_3^2 \quad \therefore \mathbf{T_3^2 = 169.95^\circ\text{C}}$$

$$Q = \frac{T_3^2 - T_4}{0.01/49} \quad \therefore \mathbf{T_4 = 169.52^\circ\text{C}}$$

Note: The contact drops and drop in the metal plate are very small. The insulation resistances and outside convection are the controlling resistances.

2.2.3. Steady radial heat flow through hollow cylinder. As mentioned in the previous article, the solution can be obtained either using Fourier's law or integrating equation 2.7(a) directly.

A quarter of circle is shown due to symmetry. The integration of (with constant k)

$$\frac{1}{r} \frac{\partial}{\partial r} \left(kr \frac{\partial T}{\partial r} \right) = 0 \text{ yields}$$

$$\frac{dT}{dr} = \frac{C_1}{kr} \quad \dots(2.16 a)$$

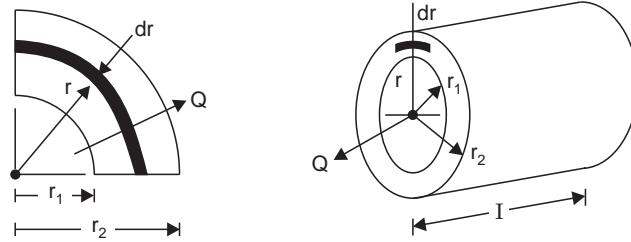


Fig. 2.4. Heat conduction-hollow cylinder.

$$\text{Integrating again} \quad kT = C_1 \ln r + C_2 \quad \dots(2.16 b)$$

Using the boundary conditions, that at $r = r_1$, $T = T_1$ and at $r = r_2$,

$$T = T_1, \quad kT_1 = C_1 \ln r_1 + C_2 \quad \dots(A)$$

$$kT_2 = C_1 \ln r_2 + C_2 \quad \dots(B)$$

Subtracting and solving

$$C_1 = \frac{k(T_2 - T_1)}{\ln \frac{r_2}{r_1}} \quad \dots(C)$$

From A

$$C_2 = kT_1 - C_1 \ln r_1$$

$$C_2 = kT_1 - \frac{k(T_2 - T_1)}{\ln \frac{r_2}{r_1}} \cdot \ln r_1 \quad \dots(D)$$

$$\therefore \text{ From 2.16b} \quad kT = \frac{k(T_2 - T_1)}{\ln \frac{r_2}{r_1}} \cdot \ln r + kT_1 - \frac{k(T_2 - T_1)}{\ln \frac{r_2}{r_1}} \ln r_1$$

$$\therefore \quad T - T_1 = \frac{(T_2 - T_1)}{\ln \frac{r_2}{r_1}} [\ln r - \ln r_1]$$

$$\frac{T - T_1}{T_2 - T_1} = \frac{\ln (r / r_1)}{\ln (r_2 / r_1)} \quad \dots(2.17)$$

$$A = 2\pi r l, \quad \frac{dT}{dr} = \frac{C_1}{kr} = \frac{T_2 - T_1}{r \ln \frac{r_2}{r_1}}$$

Using $Q = -kA \frac{dT}{dr}$, and substituting for $\frac{dT}{dr}$ and A

$$Q = \frac{T_1 - T_2}{\ln \frac{r_2}{r_1} / 2\pi k l} \quad \dots(2.18)$$

Where $\ln \frac{r_2}{r_1} / 2\pi k l$ is the thermal conduction resistance for l m length.

When a number of layers of different materials are involved with convection on both sides, Refer Fig. Ex. 2.2.

$$Q = \frac{T_{\infty 1} - T_{\infty 2}}{\frac{1}{h_1 2\pi r_1 l} + \frac{\ln r_2 / r_1}{2\pi k_1 l} + \frac{\ln r_3 / r_2}{2\pi k_2 l} + \frac{\ln r_4 / r_3}{2\pi k_3 l} + \frac{1}{h_2 2\pi r_4 l}} \quad \dots(2.19)$$

$$= \frac{T_{\infty 1} - T_{\infty 2}}{\Sigma R_i}$$

The interface temperature can be obtained using

$$Q = \frac{\Delta T_i}{R_i} \quad \dots(2.20)$$

Where ΔT_i is the temperature drop in that layer and R_i is the thermal resistance of that layer. The equation will automatically indicate whether heat flow is inwards or outwards.

Example 2.2: A pipe carrying steam at 230°C has an internal diameter of 12 cm and the pipe thickness is 7.5 mm. The conductivity of the pipe material is 49 W/mK the convective heat transfer coefficient on the inside is 85 W/m²K. The pipe is insulated by two layers of insulation one of 5 cm thickness of conductivity 0.15 W/mK and over it another 5 cm thickness of conductivity 0.48 W/mK. The outside is exposed to air at 35°C with a convection coefficient of 18 W/m²K. Determine the heat loss for 5 m length. Also determine the interface temperatures and the overall heat transfer coefficient based on inside and outside areas.

Solution: Data are shown in Fig. Ex. 2.2(a). The equivalent circuit is shown in Fig. Ex. 2.2(b). A quarter of the section is shown due to symmetry.

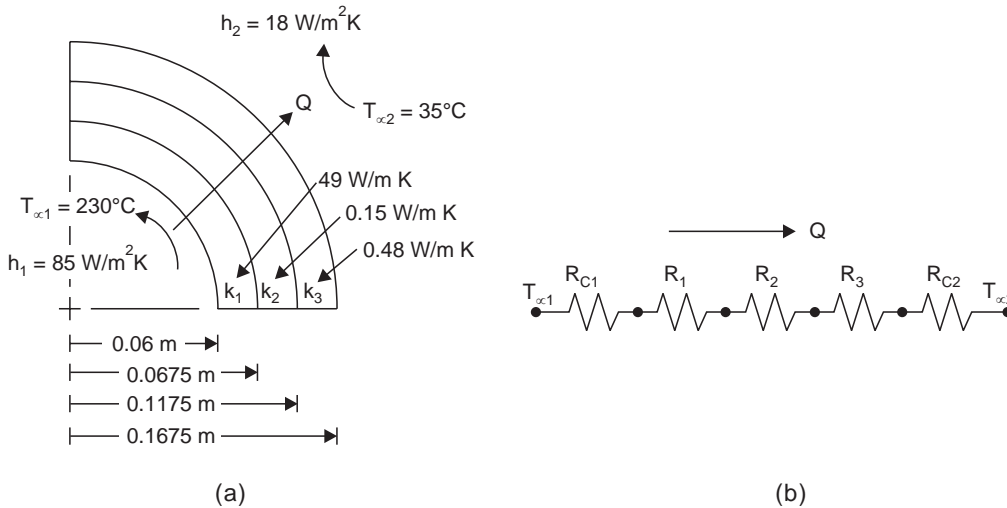


Fig. Ex. 2.2. Composite cylinder.

Using equations 2.19

$$Q = \frac{T_{\infty 1} - T_{\infty 2}}{\frac{1}{2\pi r_1 h_1 l} + \frac{\ln r_2 / r_1}{2\pi k_1 l} + \frac{\ln r_3 / r_2}{2\pi k_2 l} + \frac{\ln r_4 / r_3}{2\pi k_3 l} + \frac{1}{2\pi r_4 h_2 l}}$$

Substituting

$$Q = \frac{230 - 35}{\frac{1}{2\pi \times 0.06 \times 85 \times 5} + \frac{\ln \frac{0.0675}{0.06}}{2\pi \times 49 \times 5} + \frac{\ln \frac{0.1175}{0.0675}}{2\pi \times 0.15 \times 5} + \frac{\ln \frac{0.1675}{0.1175}}{2\pi \times 0.48 \times 5} + \frac{1}{2\pi \times 0.1675 \times 18 \times 5}}$$

$$= \frac{195}{0.1580} = 1234.06 \text{ W for } 5 \text{ m length.}$$

Overall heat transfer coefficient.

based on inside area: $Q = UA_i \Delta T$

$$\therefore 1234.06 = U_i \times 2\pi r_i l \times (230 - 35)$$

$$\therefore U_i = 1234.06 / 2\pi \times 0.06 \times 5 \times 195 = 3.3574 \text{ W/m}^2\text{K}$$

using the same procedure, U_o based on outside area = 1.203 W/m²K

Interface Temperatures:

$$\text{To find } T_1, \quad Q = \frac{T_{\infty 1} - T_1}{\frac{1}{2\pi r_1 h_1 l}} = \frac{230 - T_1}{\frac{1}{2\pi \times 0.06 \times 85 \times 5}} \quad \therefore T_1 = 222.3^\circ\text{C}$$

$$\text{To find } T_2, \quad Q = \frac{T_1 - T_2}{\frac{\ln \left[\frac{0.0675}{0.06} \right]}{2\pi \times 49 \times 5}} \quad \therefore T_2 = 222.2^\circ\text{C}$$

$$\text{To find } T_3, \quad Q = \frac{T_2 - T_3}{\frac{\ln \left[\frac{0.1175}{0.0675} \right]}{2\pi \times 0.15 \times 5}} \quad \therefore T_3 = 77.04^\circ\text{C}$$

$$\text{To find } T_4, \quad Q = \frac{T_3 - T_4}{\frac{\ln \left[\frac{0.1675}{0.1175} \right]}{2\pi \times 0.48 \times 5}} \quad \therefore T_4 = 48.03^\circ\text{C}$$

$$\begin{aligned} \text{To check} \quad Q &= h_2 A_2 \Delta T_2 = 18 \times 2\pi \times r_o \times (48.03 - 35) \times 5 \\ &= 18 \times 2\pi \times 0.1675 \times 13.03 \times 5 = 1234.18 \text{ W} \end{aligned}$$

\therefore checks.

2.2.4. Contact resistance can also be added taking care to use the proper value of area. Contact resistance is left out ordinarily due to the difficulty in the estimation. The overall heat transfer coefficient concept is also useful, except that it has to be based on either outside or inside area and

$$U_o A_o = U_i A_i = 1/(R_1 + R_2 \dots) = \frac{1}{\Sigma R} \quad \dots(2.21)$$

$$\text{and} \quad Q = U_o A_o \Delta T \text{ or } U_i A_i \Delta T \quad \dots(2.22)$$

R should be based on area. The temperature variation along the radius will not be linear and is logarithmic as shown by equation 2.17.

Example 2.3: A composite cylinder is made of 6 mm thick layers each of two materials of thermal conductivities of 30 W/m°C and 45 W/m°C. The inside is exposed to a fluid at 500°C with a convection coefficient of 40 W/m² °C and the outside is exposed to air at 35°C with a convection coefficient of 25 W/m²K. There is a contact resistance of 1 × 10⁻³ m² °C/W between the layers. Determine the heat loss for a length of 2 m and the surface temperatures. Inside dia = 20 mm.

The data and equivalent circuit are shown in Fig. Ex. 2.3.

Solution: Using the equation 2.19 and adding the contact resistances, contact resistance has to be for the area encountered. The area here is $2\pi \times 0.016 \times 2m^2$

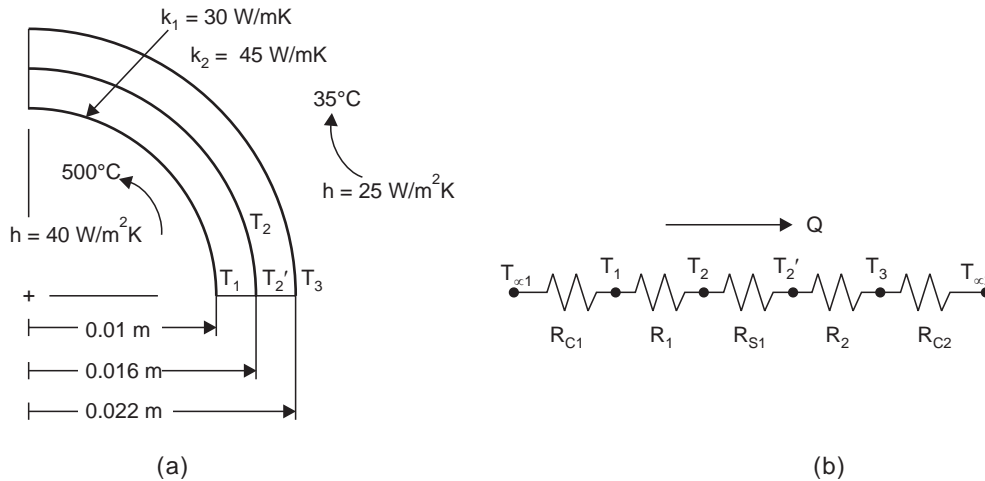


Fig. Ex. 2.3. Composite cylinder with contact resistance.

$$\text{Contact resistance} = 1 \times 10^{-3} \frac{m^2}{W} \text{ } ^\circ\text{C} \cdot \frac{1}{2\pi \times 0.016 \times 2m^2}$$

$$= 0.004973592^\circ\text{C/W}$$

$$Q = \frac{T_{\infty 1} - T_{\infty 2}}{\frac{1}{2\pi r_1 h_1 l} + \frac{\ln r_2 / r_1}{2\pi k_1 l} + \frac{\ln r_3 / r_2}{2\pi k_2 l} + \frac{1}{2\pi r_3 h_2 l} + \text{contact resistance}}$$

$$Q = \frac{500 - 35}{\frac{1}{2\pi \times 0.01 \times 40 \times 2} + \frac{\ln \frac{0.016}{0.010}}{2\pi \times 30 \times 2} + \frac{\ln \frac{0.022}{0.016}}{2\pi \times 45 \times 2} + \frac{1}{2\pi \times 0.022 \times 25 \times 2} + 0.004974}$$

$$= 1327 \text{ W}$$

Overall heat transfer coefficient:

Based on inside area = $Q/\Delta T A_i = 22.7 \text{ W/m}^2\text{K}$

Based on outside area = $Q/\Delta T A_o = 16.52 \text{ W/m}^2\text{K}$

Interface Temperatures and temperature drops:

$$Q = \frac{T_{\infty 1} - T_1}{1} \quad \therefore T_1 = 236^\circ\text{C}, \Delta T_1 = 264^\circ\text{C}$$

$$2\pi \times 0.01 \times 40 \times 2$$

$$T_2, \quad Q = \frac{T_1 - T_2}{\ln \left[\frac{0.016}{0.01} \right]} \quad \therefore T_2 = 234.35^\circ\text{C}, \Delta T_2 = 1.65^\circ\text{C}$$

$$2\pi \times 30 \times 2$$

$$T_2^1, \quad Q = \frac{T_2 - T_2^1}{R} = \frac{234.35 - T_2^1}{0.004974} \quad \therefore T_2^1 = 227.75^\circ\text{C} \quad \Delta T_3 = 6.60^\circ\text{C}$$

$$T_3, \quad Q = \frac{T_2^1 - T_3}{\ln \left[\frac{0.022}{0.016} \right]} \quad \therefore T_3 = 227^\circ\text{C} \quad \Delta T_4 = 0.75^\circ\text{C}$$

$$2\pi \times 45 \times 2$$

Check $Q = (227 - 35) \times 25 \times 2\pi \times 0.022 \times 2 = 1327 \text{ W}$

(Using outside convection), checks.

2.2.5 Steady radial heat flow through hollow sphere (Fig. 2.8). A quarter section is shown due to symmetry integrating equation 2.8(a).

$$\frac{1}{r^2} \frac{\partial}{\partial r} \left(r^2 \frac{\partial T}{\partial r} \right) = 0$$

$$r^2 \frac{\partial T}{\partial r} = C_1 \quad \text{or} \quad \frac{\partial T}{\partial r} = \frac{C_1}{r^2}$$

$$\therefore T = -\frac{C_1}{r} + C_2 \quad \dots(\text{A})$$

At $r = r_1, T = T_1$ and $r = r_2, T = T_2$.

$$T_1 = -\frac{C_1}{r_1} + C_2 \quad \text{and} \quad T_2 = -\frac{C_1}{r_2} + C_2 \quad \dots(\text{B})$$

$$T_1 - T_2 = C_1 \left(\frac{1}{r_2} - \frac{1}{r_1} \right) \quad \text{or} \quad C_1 = \frac{T_1 - T_2}{\frac{1}{r_2} - \frac{1}{r_1}} \quad \dots(\text{C})$$

From B, $C_2 = T_1 + \frac{C_1}{r_1} = T_1 + \frac{T_1 - T_2}{\frac{1}{r_2} - \frac{1}{r_1}} \cdot \frac{1}{r_1} \quad \dots(\text{D})$

Substituting in A

$$T = -\frac{T_1 - T_2}{\frac{1}{r_2} - \frac{1}{r_1}} \cdot \frac{1}{r} + T_1 + \frac{T_1 - T_2}{\frac{1}{r_2} - \frac{1}{r_1}} \cdot \frac{1}{r_1}$$

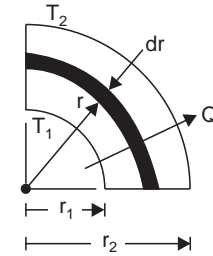


Fig. 2.8. Radial heat conduction-hollow sphere.

$$T - T_1 = \frac{T_1 - T_2}{\frac{1}{r_2} - \frac{1}{r_1}} \left\{ \frac{1}{r_1} - \frac{1}{r} \right\}$$

$$\frac{T - T_1}{T_1 - T_2} = \frac{\frac{1}{r_1} - \frac{1}{r}}{\frac{1}{r_2} - \frac{1}{r_1}} \quad \text{or} \quad \frac{T_1 - T}{T_1 - T_2} = \frac{\frac{1}{r_1} - \frac{1}{r}}{\frac{1}{r_1} - \frac{1}{r_2}} \quad \dots(2.24)$$

$$Q = -kA \frac{dT}{dr} = -k4\pi r^2 \frac{T_1 - T_2}{\frac{1}{r_2} - \frac{1}{r_1}} \cdot \frac{1}{r_2} = 4\pi k \frac{T_1 - T_2}{\frac{1}{r_1} - \frac{1}{r_2}} \quad \dots(2.25)$$

The term $\frac{1}{4\pi k} \left(\frac{1}{r_1} - \frac{1}{r_2} \right)$ is called **conduction resistance in this case**.

Conduction through composite sphere can be solved by using the same method as in the previous two articles. Refer Fig. Ex. 2.4.

$$Q = \frac{\Delta T}{R_{c1} + R_1 + \dots + R_{c2}}$$

$$= \frac{T_{\infty 1} - T_{\infty 2}}{\frac{1}{h_1 4\pi r_1^2} + \frac{1}{4\pi k} \left[\frac{1}{r_1} - \frac{1}{r_2} \right] + \dots + \frac{1}{h_2 4\pi r_2^2}} \quad \dots(2.26)$$

Example 2.4: A spherical vessel of ID 0.3 m and thickness of 20 mm is made of steel with conductivity of 40 W/mK. The vessel is insulated with two layers of 60 mm thickness of conductivity 0.05 and 0.15 W/mK. The inside surface is at -196°C . The outside is exposed to air at 30°C with convection coefficient of $35 \text{ W/m}^2\text{K}$. There is a contact resistance of $1 \times 10^{-3} \text{ m}^2\text{C/W}$ between the two insulations. Determine the heat gain and also the surface temperatures and the overall heat transfer coefficient based on the outside surface area of the metallic vessel.

Solution: The data and equivalent circuit is shown in Fig. Ex. 2.14.

A quarter section is shown due to symmetry.

Using the equation 2.26 and adding the contact resistance,

$$Q = \frac{T_1 - T_{\infty 2}}{\frac{1}{4\pi k_1} \left(\frac{1}{r_1} - \frac{1}{r_2} \right) + \frac{1}{4\pi k_2} \left(\frac{1}{r_2} - \frac{1}{r_3} \right) + R_s + \frac{1}{4\pi k_3} \left(\frac{1}{r_3} - \frac{1}{r_4} \right) + \frac{1}{4\pi r_4^2 h_2}}$$

Here the inside surface temperature is specified. Hence there is no convective resistance on the inside.

$$Q = \frac{-196 - 30}{\frac{2}{4\pi \times 40} \left(\frac{1}{0.15} - \frac{1}{0.17} \right) + \frac{1}{4\pi \times 0.05} \left(\frac{1}{0.17} - \frac{1}{0.23} \right) + \frac{1}{4\pi \times 0.15} \left(\frac{1}{0.23} - \frac{1}{0.29} \right) + \frac{1}{4\pi \times 0.29^2 \times 35} + R_s}$$

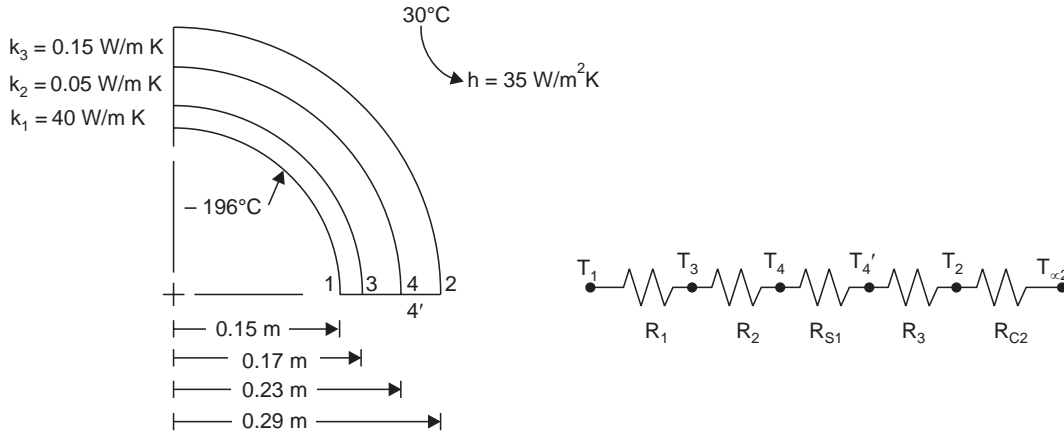


Fig. Ex. 2.4. Composite sphere.

$$R_s = 1 \times 10^{-3} \text{ m}^2 \text{ }^\circ\text{C/W is based on } 1 \text{ m}^2$$

The area in this problem is $4\pi \times 0.23^2 \text{ m}^2$

$$\therefore R_s \text{ for the area} = 1 \times 10^{-3} / (4\pi \times 0.23^2) = 1.5 \times 10^{-3} \text{ }^\circ\text{C/W}$$

$$\text{Substituting } Q = \frac{-226}{2.95} = -76.6 \text{ W}$$

overall heat transfer coefficient based on the outside area of the vessel

$$Q = UA \Delta T \text{ i.e. } 76.6 = U \times 4\pi \times 0.17^2 \times (-196 - 30)$$

$$\therefore U = 0.932 \text{ W/m}^2 \text{ K.}$$

Interface temperatures:

$$\text{To find } T_3: \quad Q = -76.6 = \frac{-196 - T_3}{\frac{1}{4\pi \times 10} \left(\frac{1}{0.15} - \frac{1}{0.17} \right)}, \quad T_3 = -195.88^\circ\text{C}$$

$$\text{Similarly } T_4 = -8.75^\circ\text{C.}$$

$$\text{After contact drop } T_4' = -8.64^\circ\text{C and } T_2 = 27.93^\circ\text{C}$$

Check using outside convection,

$$Q = (-30 + 27.93) 4\pi \times 0.29^2 \times 35 = -76.7 \text{ W}$$

As in the previous case contact resistance can also be taken into account by adding the value in the equation (2.26). The corresponding area should be taken into account as the resistance value will be generally available in the unit $\text{m}^2 \text{ }^\circ\text{C/W}$.

$$\text{Also } U_o A_o = U_i A_i = \frac{1}{\Sigma R} \quad \dots(2.27)$$

$$\frac{1}{U_o A_o} = \frac{1}{U_i A_i} = \Sigma R \quad \dots(2.28)$$

The temperature variation is non linear.

2.3 CONDUCTION IN OTHER SHAPES

The analysis is more complex correlation equations are available in hand books and references. Two such shapes are considered in examples 2.5 and 2.6.

Example 2.5: A circular pipe of OD 20 cm is enclosed centrally in a square section insulation of 36 cm side. The thermal conductivity of the material is 8.5 W/mK. The inside surface is at 200°C. The outside is exposed to convection at 30°C with $h = 35 \text{ W/m}^2\text{K}$. Determine the heat flow per a length of 5 m.

Solution: The data are shown in Fig. Ex. 2.5.

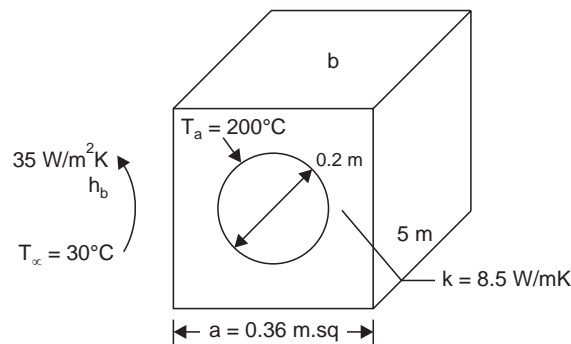


Fig. Ex. 2.5. Problem model.

Using hand book (a = side length)

The resistance is given by

$$R = \frac{1}{2\pi l} \left[\frac{1}{k} \ln \frac{1.08a}{2r} + \frac{\pi}{2h_b a} \right]$$

(Internal convection is absent)

$$R = \frac{1}{2\pi \times 5} \left[\frac{1}{8.5} \ln \frac{1.08 \times 0.36}{0.2} + \frac{\pi}{2 \times 35 \times 0.36} \right] = 0.002529^\circ\text{C/W}$$

$$Q = \frac{\Delta T}{R} = \frac{200 - 30}{0.002529} = 67219 \text{ W.}$$

Example 2.6: A pipe of 30 cm OD is insulated by a material of thermal conductivity of 0.45 W/mK. Due to space restriction the insulation of outside diameter is placed with an eccentricity of 5 cm. (Fig. Ex. 2.6) The inner surface is at 250°C. The outer surface is at 60°C. Determine the loss for a length of 5 m. Outside dia = 0.6 m.

Solution: From hand book the thermal resistance is obtained by

$$\frac{1}{2\pi kl} \ln \frac{\sqrt{[(r_2 + r_1)^2 - e^2]} + \sqrt{[(r_2 - r_1)^2 - e^2]}}{\sqrt{[(r_2 + r_1)^2 - e^2]} - \sqrt{[(r_2 - r_1)^2 - e^2]}}$$

$$R = \frac{1}{2\pi \times 0.45 \times 5} \ln \frac{\sqrt{[(0.15 + 0.3)^2 - 0.05^2]} + \sqrt{[(0.3 - 0.15)^2 - 0.05^2]}}{\sqrt{[(0.15 + 0.3)^2 - 0.05^2]} - \sqrt{[(0.3 - 0.15)^2 - 0.05^2]}}$$

$$= \frac{1}{2\pi \times 0.45 \times 5} \ln \frac{0.4472 + 0.14142}{0.4472 - 0.14142} = 0.046325^\circ\text{C/W}$$

$$Q = \frac{\Delta T}{R} = \frac{250 - 60}{0.046326} = 4101 \text{ W.}$$

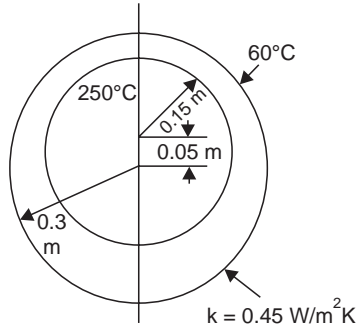


Fig. Ex. 2.6. Eccentric insulation.

2.4 ONE DIMENSIONAL STEADY STATE HEAT CONDUCTION WITH VARIABLE HEAT CONDUCTIVITY OR VARIABLE AREA ALONG THE SECTION

A glance at the graphs in hand books showing the variation of thermal conductivity with temperature will convince the learner that the assumption of constant thermal conductivity is valid only for heat flow with small temperature differences. Even then the conductivity value for the corresponding temperature range should be used. Generally a linear relationship as in equation 2.29 below can be used without sacrificing accuracy

$$k = k_o (1 \pm \beta T) \quad \dots(2.29)$$

where k_o is conductivity at some reference temperature and T is the temperature above the reference and b is a constant and may be positive or negative. Substituting this in the Fourier's equation, yields **for slab**

$$Q = -k_o (1 \pm \beta T) \frac{dT}{dx},$$

$$\int_1^2 Q dx = -k_o A \int_1^2 (1 \pm \beta T) dT$$

$$Q (x_2 - x_1) = -A k_o \left[T + \frac{\beta T^2}{2} \right]_1^2 = -A k_o \left[T_2 + \frac{\beta T_2^2}{2} - T_1 - \frac{\beta T_1^2}{2} \right]$$

$$= -A k_o \left[(T_2 - T_1) + \frac{\beta}{2} (T_2^2 - T_1^2) \right]$$

$$= +A (T_1 - T_2) \left[k_o \left(1 + \beta \frac{(T_1 + T_2)}{2} \right) \right]$$

$$= A (T_1 - T_2) k_m, \text{ as } k_o \left(1 + \beta \frac{T_1 + T_2}{2} \right) = k_m.$$

$$\begin{aligned} \therefore (x_2 - x_1) &= L, \\ \therefore Q &= \frac{(T_1 - T_2)}{L / k_m A} \end{aligned} \quad \dots(2.30)$$

This holds good in the case $k = k_o (1 - \beta T)$ also.

where
$$k_m = k_o \left\{ 1 \pm \beta \left(\frac{T_1 - T_2}{2} \right) \right\} \quad \dots(2.31)$$

Hence if linear variation is assumed, the average value of thermal conductivity between these temperatures can be used in the equation (2.10). It is found that for other shapes also, this result $k = k_m$ is found valid.

Thus for a cylinder
$$Q = \frac{\Delta T}{\ln(r_1/r_2) / 2\pi k_m l} \quad \dots(2.32)$$

For a sphere
$$Q = \frac{\Delta T}{\frac{1}{4\pi k_m} \left(\frac{1}{r_1} - \frac{1}{r_2} \right)} \quad \dots(2.33)$$

Example 2.7: An insulating wall 16 cm thick has one face at 600°C while the other is at 100°C. The thermal conductivity of the material is given by $k = 0.078 (1 + 17.95 \times 10^{-4} T)$ W/mK and T is in °C. Determine the heat loss per unit area and the mid plane temperature.

Solution: Using equation 2.30 and 2.31.

$$Q = \frac{\Delta T}{L / k_m A} \text{ and } k_m = k_o \left(1 + \beta \frac{T_1 + T_2}{2} \right)$$

$$k_m = 0.078 [1 + 17.95 \times 10^{-4} (600 + 100)/2] = \mathbf{0.127 \text{ W/mK}}$$

$$Q = \frac{(600 - 100)}{0.16 / (0.127 \times 1)} = \mathbf{396.9 \text{ W/m}^2}$$

To find the mid plane temperature, the heat flow for thickness upto mid plane is equated to the calculated heat flow. Taking T as the mid plane temperature,

$$\begin{aligned} \therefore 396.9 &= \frac{T_1 - T}{(L_{\text{mid}} / k_{\text{mid}} A)} \\ k_{\text{mid}} &= 0.078 [1 + 17.95 \times 10^{-4} (600 + T)/2] \\ \therefore 396.9 &= (600 - T) / (0.08 / 0.078 \{1 + 17.95 \\ &\quad \times 10^{-4} (600 + T)/2\}) \\ \therefore 17.95 \times 10^{-4} T^2 + 2T - 1032.05 &= 0 \end{aligned}$$

Solving
$$\mathbf{T = 383.8^\circ\text{C}}$$

These data are shown plotted in Fig. Ex. 2.7 (check using Eqn. 2.34 page 46).

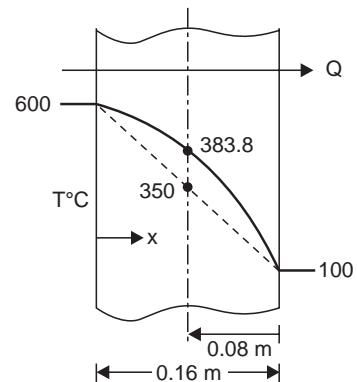


Fig. Ex. 2.7. Temperature distribution in slab with variable thermal conductivity.

Example 2.8: The thermal conductivity of an insulating material used over a hot pipe varies as $k = 0.0545 (1 + 28.4 \times 10^{-4} T)$ where T is in $^{\circ}\text{C}$ and k is in W/mK . This insulation is used for a thickness of 12 cm over a pipe of diameter 0.6 m. The pipe surface is at 300°C and the outside insulation temperature is 60°C . Determine the heat flow for a length of 5 m. Also find the mid layer temperature.

The heat flow is calculated using equation 2.32. The data are shown in Fig. Ex. 2.8. Quarter section is shown due to symmetry.

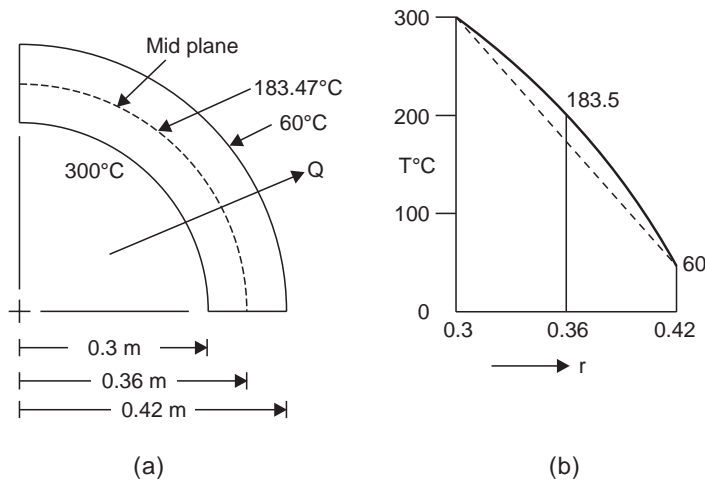


Fig. Ex. 2.8. Temperature variation in hollow cylinder with variable thermal conductivity.

Solution:

$$Q = \frac{\Delta T}{\ln(r_2/r_1)} \times 2\pi k_m l$$

$$k_m = 0.0545 \left[1 + 28.4 \times 10^{-4} \left(\frac{300 + 60}{2} \right) \right] = 0.08236 \text{ W/mK}$$

$$Q = \frac{(300 - 60)}{\ln \frac{0.42}{0.3}} 2\pi \times 0.08736 \times 5 = 1845.6 \text{ W}$$

To find the mid plane temperature, equate this heat flow for half thickness of the cylinder

$$1845.6 = \frac{300 - T}{\ln \frac{0.36}{0.3}} 2\pi \times 5 \times 0.0545 \left[1 + 28.4 \times 10^{-4} \left(\frac{300 + T}{2} \right) \right]$$

simplifying, $14.2 \times 10^{-4} T^2 + T - 231.27 = 0$

solving for $T = 183.47^{\circ}\text{C}$. Check using eqn. 2.35 page 46.

Example 2.9: The thermal conductivity of an insulating material used to reduce heat gain into a cryogenic spherical shaped container varies as $k = 0.028 (1 + 50 \times 10^{-4} T)$. Where T is in degree centigrade and k is in W/mK . The inner radius is 16 cm and the insulation thickness is 12 cm. The inner surface is at -190°C while the outer surface is at 10°C . Determine the heat loss, the temperature at mid radius and the radius at which the temperature is -40°C .

Solution: Using equation 2.33. One quarter view is shown for clarity.

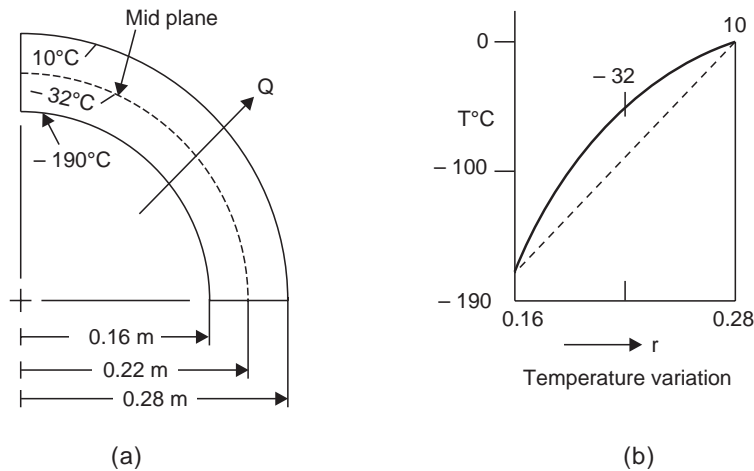


Fig. Ex. 2.9. Model.

$$Q = \frac{T}{\frac{1}{4\pi k_m} \left(\frac{1}{r_1} - \frac{1}{r_2} \right)}$$

as

$$k_m = 0.028 \left[1 + 50 \times 10^{-4} \frac{10 + (-190)}{2} \right] = 0.0154 \text{ W/mK}$$

Substituting

$$Q = \frac{-190 - 10}{\frac{1}{4\pi \times 0.0154} \left[\frac{1}{0.16} - \frac{1}{0.28} \right]} = -14.45 \text{ W, heat flow is inwards}$$

Mid radius temperature

$$-14.45 = \frac{-190 - T}{\frac{1}{4\pi \times 0.028 \left[1 + 50 \times 10^{-4} \left(\frac{-190 + T}{2} \right) \right]} \left[\frac{1}{0.16} - \frac{1}{0.22} \right]}$$

Simplifying $25 \times 10^{-4} T^2 + T + 29.506 = 0$

Solving $T = -32.37^\circ\text{C}$ (the other solutions -367.63°C being not acceptable).

To locate the radius at which $T = -40^\circ\text{C}$.

$$Q = \frac{\Delta T \times 4\pi k_m}{\left[\frac{1}{r_1} - \frac{1}{r} \right]}$$

$$k_m = 0.028 \left[1 + 50 \times 10^{-4} \left(\frac{-190 - 40}{2} \right) \right] = 0.0119 \text{ W/mK}$$

$$14.45 = \frac{\{-190 - (-40)\} \times 4\pi \times 0.0119}{\left[\frac{1}{0.16} - \frac{1}{r} \right]}$$

Solving $r = 0.21287 \text{ m}$.

(Check: This is less than 0.22 where the temperature is -32.08°C).

2.4.1. In these cases, determination of the temperature variation requires more involved equations. These are given below. **For a slab** equating the heat flow in section L_1 and L_2 .

$$\frac{T_1 - T_2}{\frac{x_2 - x_1}{k_{m1}A}} = \frac{T_1 - T}{\frac{x - x_1}{k_{m2}A}}$$

$$\frac{T_1 - T}{T_1 - T_2} = \frac{(x - x_1) k_{m1}}{(x_2 - x_1) k_r} = \frac{(x - x_1) [1 + \beta (T_2 + T_1) / 2]}{(x_2 - x_1) [1 + \beta (T + T_1) / 2]}$$

$$\frac{(T_1 - T) [1 + \beta (T_1 + T) / 2]}{(T_1 - T_2) [1 + \beta (T_1 + T_2) / 2]} = \frac{x - x_1}{x_2 - x_1} \quad \dots(2.34)$$

For cylinder

$$\frac{(T_1 - T) [1 + \beta (T_1 + T) / 2]}{(T_1 - T_2) [1 + \beta (T_1 + T_2) / 2]} = \frac{\ln \frac{r}{r_1}}{\ln \frac{r_2}{r_1}} \quad \dots(2.35)$$

For sphere

$$\frac{(T_1 - T) [1 + \beta (T_1 + T) / 2]}{(T_1 - T_2) [1 + \beta (T_1 + T_2) / 2]} = \frac{\frac{1}{r_1} - \frac{1}{r}}{\frac{1}{r_1} - \frac{1}{r_2}} \quad \dots(2.36)$$

It is suggested to solve for the temperature from basics, *i.e.* using the relation, heat flow over the full thickness = heat flow over the given thickness.

2.4.2. Variation of area in the direction of heat flow. Some possible relationships are

$$A = A_o (1 + Cx), A = A_o Cx, A = A_o Cx^2, A = A_o (1 + Cx^2)$$

These are for truncated wedge, developed hollow cylinder, developed hollow sphere and truncated cone (Fig. 2.11a, b, c, d)

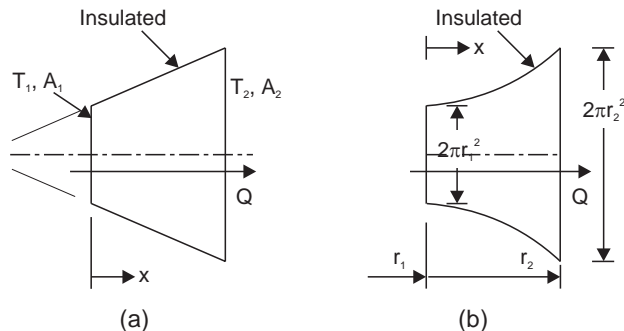


Fig. 2.11. (a), (b), (c), (d) Variable area sections.

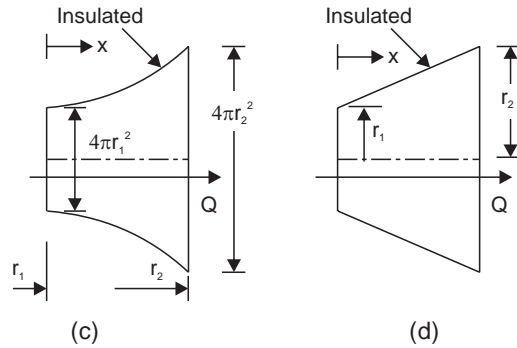


Fig. 2.11. (c), (d),

The heat flow can be found by substituting the relation in the Fourier equation and integrating the same between the two surfaces.

The method is illustrated in example 2.10.

Example 2.10: A truncated conelike solid has its circumferential surface insulated. The base is at 300°C and the area along the flow direction at x is given by $A = 1.3 (1 - 1.5x)$. Where x is measured from the base in the direction of flow in m and A is in m^2 . If the thermal conductivity is 2.6 W/mK and the plane at $x = 0.2$ m is maintained at 100°C, determine the heat flow and also the temperature at $x = 0.1$ m. Calculate the temperature gradients at the three sections.

Solution: Using the Fourier’s equation (Fig. Ex. 2.10)

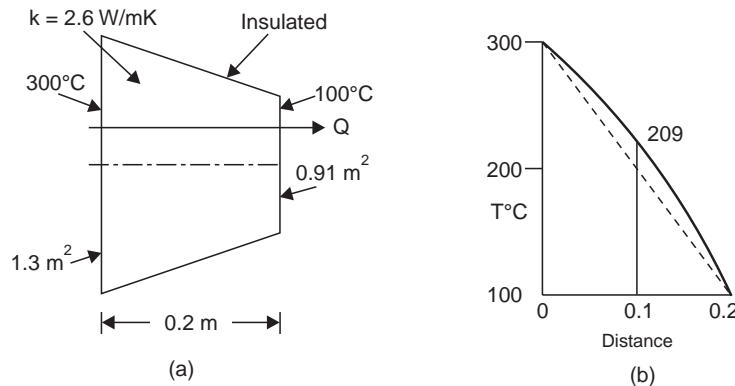


Fig. Ex. 2.10. Heat transfer in variable area section.

$$Q = -kA \frac{dT}{dx}$$

and substituting the relation for A and integrating after separating variables.

$$Q = -k \times 1.3 (1 - 1.5x) \cdot \frac{dT}{dx}$$

$$Q \int_0^{0.2} \frac{dx}{(1 - 1.5x)} = -1.3k \int_{T_1}^{T_2} dT$$

$$Q \left[\frac{1}{-1.5} \ln (1 - 1.5x) \right]_0^{0.2} = -1.3k (T_2 - T_1)$$

substituting the values at $x = 0.2$ and $x = 0$,

$$Q = \frac{1.3 \times k(T_1 - T_2) \times 1.5}{-\ln(0.70)}$$

$$= \frac{1.3 \times 2.6 \times 1.5(300 - 100)}{-\ln(0.70)} = 2842.9 \text{ W}$$

At 0.1m $2842.9 = \frac{1.3 \times 1.5 \times 2.6(300 - T)}{-\ln(1 - 1.5 \times 0.1)}$

$\therefore T = 208.87^\circ\text{C}$

Temperature gradients:

$$Q = -kA \frac{dT}{dx} \quad \therefore \frac{dT}{dx} = -\frac{Q}{kA}$$

Section $x = 0, \frac{dT}{dx} = -2842.9/2.6 \times 1.3 = -841.09^\circ\text{C/m}$

$x = 0.1, A = 1.3(1 - 1.5 \times 0.1) = 1.105, \frac{dT}{dx} = -989.52^\circ\text{C/m}$

$x = 0.2, \frac{dT}{dx} = -1201.6^\circ\text{C/m}$

combined variation of thermal conductivity and area can be dealt with in a similar way. For example

$$Q = -k_o (1 + \beta T) A_o (1 + cx) \frac{dT}{dx} \quad \dots(2.37)$$

equation 2.37 can be integrated by separating the variables to obtain the value of heat flow. The temperature at any location can be found by equating the heat flow with thickness up to that section to the heat flow with the full thickness, as was done in the earlier sections.

2.5 CRITICAL THICKNESS OF INSULATION

Adding insulation will always increase the conduction resistance. But when the total resistance is made up of both conduction resistance and convection resistance, the addition of insulation in some cases may reduce the convection resistance due to the increase in surface area (as in the case of a cylinder and sphere) and the total resistance may actually decrease resulting in increased heat flow. It may be shown that the resistance actually decreases and then increases in certain cases. The thickness upto which heat flow increases and after which heat flow decreases is termed as critical thickness. In the case of cylinders and spheres it is called critical radius. An expression for the same can be obtained by finding the rate of change of the total resistance with change in radius and equating the same to zero *i.e.* zero slope condition.

Cylinder:

$$\text{Total resistance, } R, \text{ for radius } r = \frac{\ln\left(\frac{r}{r_1}\right)}{2\pi kl} + \frac{1}{h2\pi rl}$$

cancelling the common factors $R = \left(\frac{1}{k} \ln \frac{r}{r_1} + \frac{1}{h} \frac{1}{r}\right) \times \text{constant}$

$$\frac{dR}{dr} = \frac{1}{k} \cdot \frac{1}{r} - \frac{1}{h} \frac{1}{r^2}, \text{ equating this to zero}$$

$$r_{cr} = \frac{k}{h} \quad \dots(2.38)$$

For spheres the following relationship can be derived, using similar method

$$R = \frac{1}{4\pi k} \left[\frac{1}{r_1} - \frac{1}{r} \right] + \frac{1}{4\pi r^2 h}$$

$$\frac{dR}{dr} = \frac{1}{4\pi k} [1] - \frac{2}{4\pi r h}, \text{ equating to zero}$$

$$r_{cr} = \frac{2k}{h} \quad \dots(2.39)$$

Example 2.11: A copper pipe carrying refrigerant at -20°C is 10 mm in OD and is exposed to convection at $50 \text{ W/m}^2\text{K}$ to air at 25°C . It is proposed to apply insulation of conductivity 0.5 W/mK . Determine the thickness beyond which the heat gain will be reduced. Calculate the heat gains for 2.5 mm, 5.0 mm and 7.5 mm thicknesses for 1m length. The convection coefficient remains constant. (Using equation 2.38, the critical thickness up to which the heat flow will increase is calculated as below

$$r_c = \frac{k}{h} = 0.5/50 = 0.01 \text{ m.}$$

Solution: r_c this means that up to a thickness of **5 mm**, the heat flow will increase:

The heat flow at various configurations is given below. **Bare pipe:** unit length

$$Q = hA (\Delta T) = 50 \times 2\pi \times 0.005 \times 1 \{25 - (-20)\} = 70.69 \text{ W/m}$$

For **2.5 mm thickness**

$$Q = \frac{45}{\frac{1}{50 \times 2\pi \times 0.0075 \times 1} + \frac{\ln \frac{0.0075}{0.005}}{2\pi \times 0.5}} = 81.3 \text{ W/m}$$

For **5 mm thickness**

$$Q = \frac{45}{\frac{1}{50 \times 2\pi \times 0.01 \times 1} + \frac{\ln \frac{0.010}{0.005}}{2\pi \times 0.5}} = 83.49 \text{ W/m}$$

for **7.5 mm thickness**

$$Q = \frac{45}{\frac{1}{50 \times 2\pi \times 0.0125 \times 1} + \frac{\ln \frac{0.0125}{0.005}}{2\pi \times 0.5}} = 82.37 \text{ W/m}$$

The heat flow for various thickness is shown in Fig. Ex. 2.13

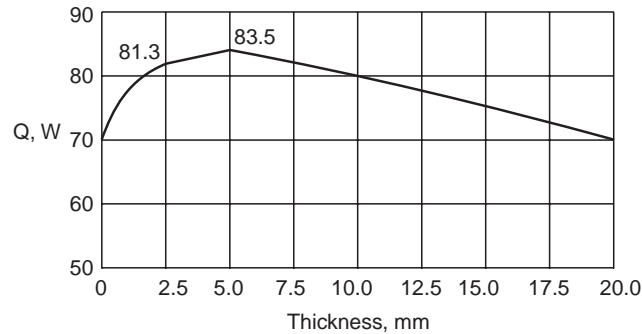


Fig. Ex. 2.13. Heat flow with thickness of insulation.

It will be seen that a thickness of **20 mm** insulation only will reduce the heat flow to the level of bare pipe.

$$Q = \frac{45}{\frac{1}{50 \times 2\pi \times 0.025 \times 1} + \frac{\ln \frac{0.025}{0.005}}{2\pi \times 0.5}} = 70.35 \text{ W/m}$$

Only after 20 mm thickness of insulation the heat flow will decrease due to insulation.

This principle applies generally to small diameter pipes. Also insulation thickness for electrical wire has to be designed on this basis. Adding the electrical insulation may increase the heat flow and reduce the temperature of the wire.

Example 2.12: It is desired to increase the heat dissipated over the surface of an electronic device of spherical shape of 5 mm radius exposed to convection with $h = 10 \text{ W/m}^2\text{K}$ by encasing it in a transparent spherical sheath of conductivity 0.04 W/mK . Determine the diameter of the sheath for maximum heat flow. For a temperature drop of 120°C from device surface determine the heat flow for bare and sheathed device.

Solution: The requirement is the calculation of critical radius

For a sphere eqn. 2.39 gives

$$r_c = \frac{2k}{h} = 2 \times 0.04/10 = 0.008 \text{ or } 8 \text{ mm}$$

So the diameter is 16 mm

Bare device $Q = 4\pi r_1^2 h(\Delta T) = 4 \times \pi \times 0.005^2 \times 10 \times 120 = 0.377 \text{ W}$

Sheathed device $Q = \frac{120}{\frac{1}{4\pi \times 0.008^2 \times 10} + \frac{1}{4\pi \times 0.04} \left(\frac{1}{0.005} - \frac{1}{0.008} \right)}$
 $= 0.439 \text{ W}$, about 16% increase.

2.6 MEAN AREA CONCEPT

When the area changes in the direction of flow, sometimes it is convenient to use a mean area and use the heat equation applicable to a slab *i.e.*

$$Q = \frac{(T_1 - T_2)}{L/kA}$$

when this concept is applied to a cylinder

$$Q = \frac{(T_1 - T_2) k A_m}{L} = \frac{(T_1 - T_2) \times 2\pi k l}{\ln \frac{r_2}{r_1}}$$

$$A_m = \frac{2\pi l(r_2 - r_1)}{\ln \frac{r_2}{r_1}} = \frac{(A_2 - A_1)}{\ln \frac{A_2}{A_1}} \quad \dots(2.40)$$

as $\frac{r_2}{r_1} = \frac{A_2}{A_1}, L = r_2 - r_1$

Similarly for a sphere $A_m = 4\pi \sqrt{(r_1 r_2)}$... (2.41)
 or the area at the geometric mean of the radii.

Example 2.13: A hollow cylinder of inner radius 0.16 m and thickness 8 cm conducts heat radially. Determine the mean area and check for the heat flow:

Solution: Using equation 2.40

$$A_m = \frac{A_2 - A_1}{\ln \frac{A_2}{A_1}} = \frac{2\pi(0.24 - 0.16) l}{\ln \frac{2\pi \times 0.24 \times l}{2\pi \times 0.16 \times l}}$$

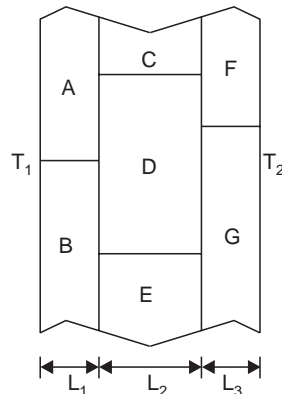
Considering as a slab of A_m area and thickness $(r_2 - r_1)$ and conductivity k

$$Q = k \times \frac{2\pi(0.24 - 0.16) l}{\ln \frac{2\pi \times 0.24 \times l}{2\pi \times 0.16 \times l}} \frac{k\Delta T}{(0.24 - 0.16)} = \frac{2\pi k l \Delta T}{\ln \frac{0.24}{0.16}} \quad \text{same as eqn. 2.18}$$

2.7 PARALLEL FLOW

There are certain occasions where the barrier to heat flow is made up of several materials in the same thickness as in a brick wall where bricks and mortar form the same layer. In this case the heat flow is along parallel paths. (Fig. 2.11(a))

The assumption made here is that temperature drop in each layer is the same. This is solved by using electrical analogy as shown in Fig. 2.11(b), (c).



(a)

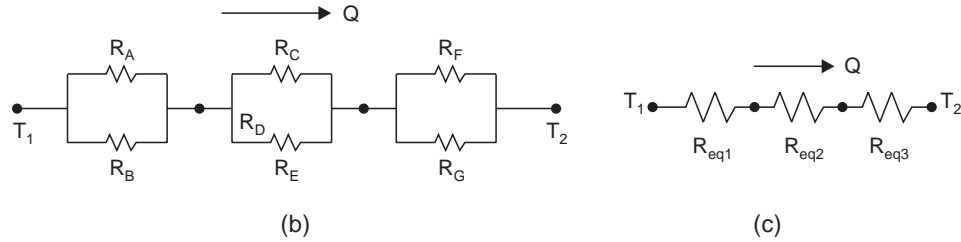


Fig. 2.11. (a, b, c)

It is necessary that the thickness, area occupied and thermal conductivity of each material be specified.

$$Q = \frac{T_1 - T_2}{\text{Total resistance}}$$

$$R_A = \frac{L_1}{k_A A_A}, R_B = \frac{L_1}{k_B A_B}, R_C = \frac{L_2}{k_C A_C}, R_D = \frac{L_2}{k_D A_D}$$

$$R_E = \frac{L_2}{k_E A_E}, R_F = \frac{L_3}{k_F A_F} \text{ and } R_G = \frac{L_3}{k_G A_G}$$

The equivalent resistance for a parallel circuit is given by

$$R_{eq1} = \frac{1}{\frac{1}{R_A} + \frac{1}{R_B}}$$

$$R_{eq2} = \frac{1}{\frac{1}{R_C} + \frac{1}{R_D} + \frac{1}{R_E}}$$

$$R_{eq3} = \frac{1}{\frac{1}{R_F} + \frac{1}{R_G}}$$

$$Q = \frac{T_1 - T_2}{\sum R_{EQ}} \quad \dots(2.42)$$

Example 2.14: Two slabs are placed in contact, but due to roughness, only 40% of area is in contact and the gap in the remaining area is 0.02 mm thick and is filled with air. The slabs are 10 cm thick each and their conductivities are 15.5 W/mK and 200 W/mK. The temperature of the face of the hot surface is at 250°C and the outside surface of the other slab is at 35°C. Determine the heat flow and the contact resistance. The conductivity of air is 0.0321 W/mK.

Solution: Of the contact area it is assumed that half of the contact is due to either metal. Total area is taken as 1m².

The equivalent circuit is given below (suffixes refer to the circuit)

$$\frac{1}{R_{eq}} = \frac{1}{R_2} + \frac{1}{R_3} + \frac{1}{R_4}$$

$$R_1 = \frac{0.1}{15.5 \times 1} = 0.0065^\circ\text{C/W}, R_2 = \frac{0.00002}{15.5 \times 0.2}, R_3 = \frac{0.00002}{200 \times 0.2}$$

$$R_4 = \frac{0.00002}{0.0321 \times 0.6}, R_5 = \frac{0.1}{200 \times 1} = 0.0005^\circ\text{C/W}$$

$$\frac{1}{R_{eq}} = \frac{15.5 \times 0.2}{0.00002} + \frac{0.0321 \times 0.6}{0.00002} + \frac{200 \times 0.2}{0.00002}$$

$$R_{eq} = 0.464 \times 10^{-6}$$

$$R = 0.0065 + 0.464 \times 10^{-6} + 0.0005 = 0.00695^\circ\text{C/W}$$

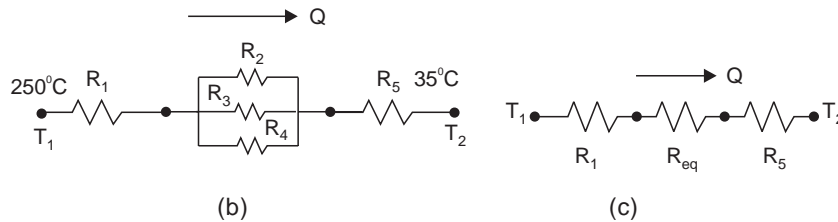
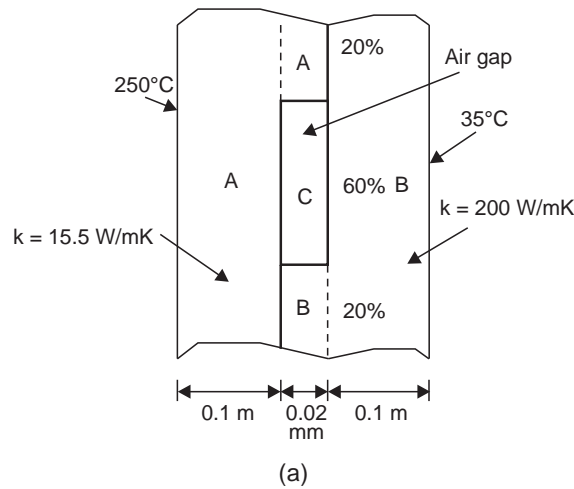


Fig. Ex. 2.14. Model and equivalent circuit.

$$Q = \frac{\Delta T}{R} = \frac{250 - 35}{0.00695} = 30926 \text{ W}$$

contact resistance

$$= 0.464 \times 10^{-6}^\circ\text{C/W}$$

Temperature drop at contact = $Q \cdot R_{eq} = 0.0143^\circ\text{C}$.

SOLVED PROBLEMS

The problems in this section are on steady state heat conduction involving the various situations discussed in this chapter. Most of the problems are closed end type and have a unique solution. A situation involving n variables may give rise to n type of problems at least. As an example, the equation for heat flow through a plane wall, is given below in six forms.

$$Q = \frac{T_1 - T_2}{L/kA} \quad \dots(1)$$

$$L = \frac{T_1 - T_2}{Q/kA} \quad \dots(2)$$

$$k = Q \cdot L/A (T_1 - T_2) \quad \dots(3)$$

$$A = Q \cdot L/k (T_1 - T_2) \quad \dots(4)$$

$$T_1 = T_2 + QL/kA \quad \dots(5)$$

$$T_2 = T_1 - QL/kA \quad \dots(6)$$

It is not necessary to formulate and remember all the various explicit forms. However, one has to be adept in spotting the specified variables and the one to be determined and get the explicit form from the general one. Checking the answer is also facilitated by such formulations.

Problem 2.1: The inside of a furnace wall is at 1000°C and with the existing wall of material with thermal conductivity of 1.7 W/mK loses 2.5 kW/m^2 when the outside is exposed to convection to air at 30°C with $h = 27 \text{ W/m}^2\text{K}$. Determine the wall thickness. Additionally 75 mm thickness of insulation with $k = 0.15 \text{ W/mK}$ is added on the inside. The furnace wall temperature and the surrounding temperature and convection coefficient remain unchanged. Determine the reduction in heat flow and reduction in the outside surface temperature. Also find the overall heat transfer coefficient and the temperature gradient in each layer.

Solution:

Case 1: Fig. P. 2.1(a)

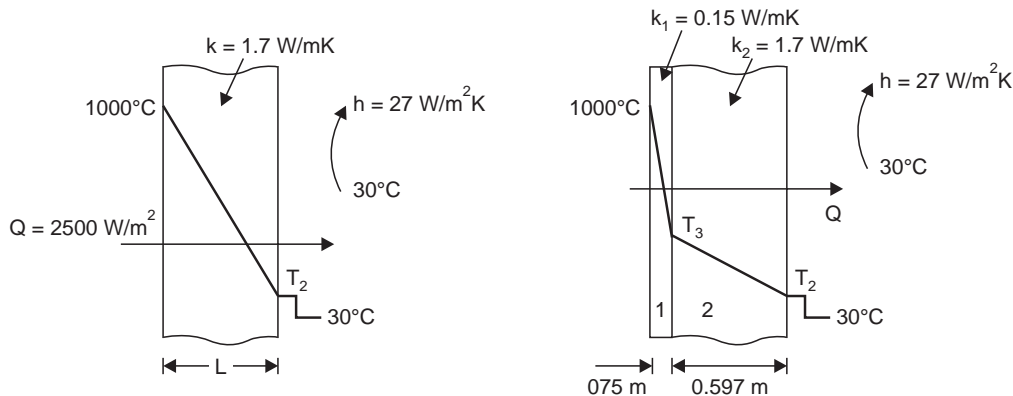


Fig. P. 2.1. Problem model.

To find the outside wall temperature: Consider unit area and convection on the outside $Q = hA\Delta T$, $A = 1$

$$2500 = 27(T_2 - 30) \quad T_2 = 122.6^\circ\text{C}$$

To find the thickness: $Q = \Delta T/(L/kA)$, $A = 1$

$$2500 = \frac{1000 - 122.60}{L/1.7} \quad \therefore L = 0.597 \text{ m}$$

$$\text{The temperature gradient} = -\frac{1000 - 122.60}{0.597} = -1469.7^\circ\text{C/m}$$

Case 2: Fig. P. 2.1(b)

$$\begin{aligned} \text{Heat flow} &= \frac{\Delta T}{R_1 + R_2 + R_3} = \frac{1000 - 30}{\frac{0.075}{0.15} + \frac{0.597}{1.7} + \frac{1}{27}} \\ &= \frac{970}{0.888} = \mathbf{1092.1 \text{ W}} \end{aligned}$$

$$\% \text{ reduction is } 100 \left[\frac{2500 - 1092.1}{2500} \right] = 56.32\%$$

The outside wall temperature is found using the convection layer

$$Q = h(T_2 - 30) = 1092.1 \quad h = 27 \text{ W/m}^2\text{K}$$

$$\therefore T_2 = 70.45^\circ\text{C}, \quad 1092.1 = \frac{(T_3 - 70.45) 1.7}{0.597} \quad \therefore T_3 = 453.95^\circ\text{C}$$

$$\text{check using second layer: } Q = \frac{453.95 - 70.45}{(0.597 / 1.7)} = 1092 \text{ W, checks.}$$

In the case of the plane wall there is only one area to be considered. In this problem the area is 1m^2

$$\begin{aligned} \therefore U \cdot 1 &= \frac{1}{R_1 + R_2 + R_3} = \frac{1}{\frac{0.075}{0.15} + \frac{0.597}{1.7} + \frac{1}{27}} \\ U &= \frac{1}{0.5 + 0.351 + 0.037} = \frac{1}{0.8882} = \mathbf{1.126 \text{ W/m}^2\text{C}} \end{aligned}$$

$$\text{Check: } Q = UA(\Delta T) = 1.126 \times 1(1000 - 30) = 1092.2 \text{ W}$$

The temperature gradient in the first layer is

$$= - \frac{1000 - 453.95}{0.075} = - \mathbf{7280.67^\circ\text{C/m}}$$

The temperature gradient in the second layer is

$$= - \frac{453.95 - 70.45}{0.597} = - \mathbf{642.38^\circ\text{C/m.}}$$

Problem 2.2: A composite slab is made of 75 mm thick layer of material with thermal conductivity 0.15 W/mK and 0.597 m thick layer of material of thermal conductivity 1.7 W/mK . The inner surface is maintained at 1000°C while the outer surface was exposed to convection to air at 30°C with convection coefficient of $27 \text{ W/m}^2\text{K}$. The heat flow was measured as 1080 W as against the calculated value of 1.092 kW . It is presumed that this may be due to contact resistance. Determine the contact resistance and the temperature drop at the interface.

$$\text{Solution: } Q = \frac{\Delta T}{R} = \frac{1000 - 30}{R} = 1080 \text{ W} \quad \therefore R = 0.898^\circ\text{C/W}$$

$$R = 0.898 = \frac{0.075}{0.15} + \frac{0.597}{1.7} + \frac{1}{27} + R_{\text{contact}}$$

$$\begin{aligned} \therefore R_{\text{contact}} &= \mathbf{0.00995^\circ\text{C/W}} \\ \Delta T_{\text{contact}} &= 0.00995 \times 1080 = \mathbf{10.75^\circ\text{C.}} \end{aligned}$$

Problem 2.3: A double glazed window is made of 2 glass panes of 6 mm thick each with an air gap of 6 mm between them. Assuming that the air layer is stagnant and only conduction is involved, determine the thermal resistance and overall heat transfer coefficient. The inside is exposed to convection with $h = 1.5 \text{ W/m}^2\text{K}$ and the outside to $9 \text{ W/m}^2\text{K}$. Compare the values with that of a single glass of 12 mm thickness. The conductivity of the glass is 1.4 W/mK and that for air is 0.025 W/mK .

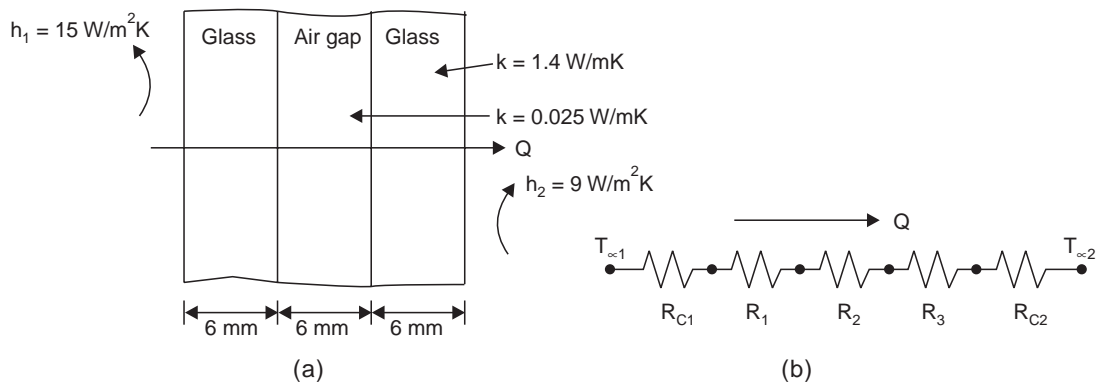


Fig. P. 2.3. Problem model.

Solution: Considering unit area

Double glazing: (Fig. P. 2.3)

$$\begin{aligned} \text{Total resistance} &= \frac{1}{15} + \frac{0.006}{1.4} + \frac{0.006}{0.025} + \frac{0.006}{1.4} + \frac{1}{9} \\ &= 0.067 + 0.0043 + 0.24 + 0.0043 + 0.11 = 0.426^\circ\text{Cm}^2/\text{W} \end{aligned}$$

$$UA = \frac{1}{\Sigma R}, \quad A = 1 \text{ here}$$

$$U = \frac{1}{\Sigma R} = \frac{1}{0.426} = 2.35 \text{ W/m}^2\text{°C}$$

$$\text{Single glass,} \quad U = 1/\left[\frac{1}{15} + \frac{0.012}{1.4} + \frac{1}{9}\right] = 5.37 \text{ W/m}^2\text{°C}$$

The heat flow will be almost doubled for the same temperature drop. The resistance for some unit of thickness like inch or cm is often used to compare insulating materials.

Problem 2.4: A composite wall is made up of 3 layers of thicknesses 25 cm, 10 cm and 15 cm with thermal conductivities of 1.7, k_B and 9.5 W/mK . The outside surface is exposed to air at 20°C with convection coefficient of $15 \text{ W/m}^2\text{K}$ and the inside is exposed to gases at 1200°C with a convection coefficient of $28 \text{ W/m}^2\text{K}$ and the inside surface is at 1080°C . Determine the unknown thermal conductivity, all surface temperatures, resistances of each layer and the over all heat transfer coefficient. Compare the temperature gradients in the three layers.

Solution: As the gas temperature, inside surface temperature and convection coefficients are known, the heat flow can be found. Assuming unit area,

$$Q = 28 (1200 - 1080) = 3360 \text{ W}$$

The heat flow is the same allthrough and is equal to Total temperature drop/Total resistance

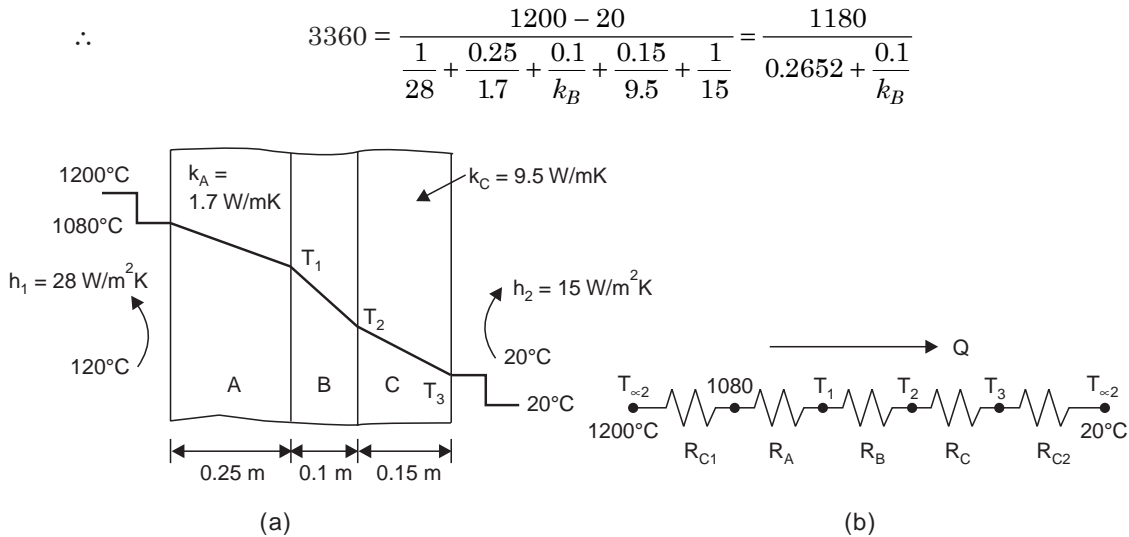


Fig. P. 2.4.

$$891.07 + \frac{336}{k_B} = 1180 \quad \therefore k_B = 1.163 \text{ W/mK}$$

$$\text{Total resistance} = \frac{1}{28} + \frac{0.25}{1.7} + \frac{0.1}{1.163} + \frac{0.15}{9.5} + \frac{1}{15} = 0.3512^\circ\text{Cm}^2/\text{W}$$

$$\text{Overall heat transfer coefficient} = U = \frac{1}{R} = 2.85 \text{ W/m}^2\text{K}$$

To determine the surface temperatures, the heat flow is equated to the (temperature drop/resistance) of each layer

$$3360 = \frac{1080 - T_1}{0.25/1.7} \quad \therefore T_1 = 585.9^\circ\text{C}$$

$$3360 = \frac{T_1 - T_2}{0.1/1.163} = \frac{585.9 - T_2}{0.1/1.163} \quad T_2 = 297^\circ\text{C}$$

$$3360 = \frac{T_2 - T_3}{0.15/9.5} = \frac{297 - T_3}{0.15/9.5} \quad \therefore T_3 = 243.95^\circ\text{C}$$

Check using outside convection

$$Q = \frac{243.95 - 20}{1/15} = 3359.25 \text{ W}$$

Resistance of layers including convection are: 0.0357, 0.147, 0.086, 0.0158, 0.067°C m²/W

$$\text{Temperature gradient} = \frac{T_2 - T_1}{x_2 - x_1}$$

$$\text{1st layer} = 585.9 - 1080 = -494.1^\circ\text{C. gradient} = \frac{\Delta T}{L} = \frac{-494.1}{0.25} = -1976.4^\circ\text{C/m}$$

2nd layer = $297 - 585.9 = -288.9^\circ\text{C}$. gradient = -2889°C/m

3rd layer = $243.95 - 297 = -53.05^\circ\text{C}$. gradient = -353.7°C/m

Higher the resistance larger the gradient.

Problem 2.5: A composite wall is made of 12 mm and 18 mm layers of materials of thermal conductivity 12.5 and 22.5 W/mK. The contact resistance between surfaces is $5 \times 10^{-4} \text{ m}^2 \text{ }^\circ\text{C/W}$. The hot side is exposed to fluid at 400°C with $h = 75 \text{ W/m}^2\text{K}$ and the cold side is exposed to fluids at 60°C with $h = 400 \text{ W/m}^2\text{K}$. Determine the heat flow, temperature drop at various resistances and overall heat transfer coefficient. Comment on the contribution of contact resistance.

Solution: The specified data are shown in Fig. P. 2.5. Assuming unit area

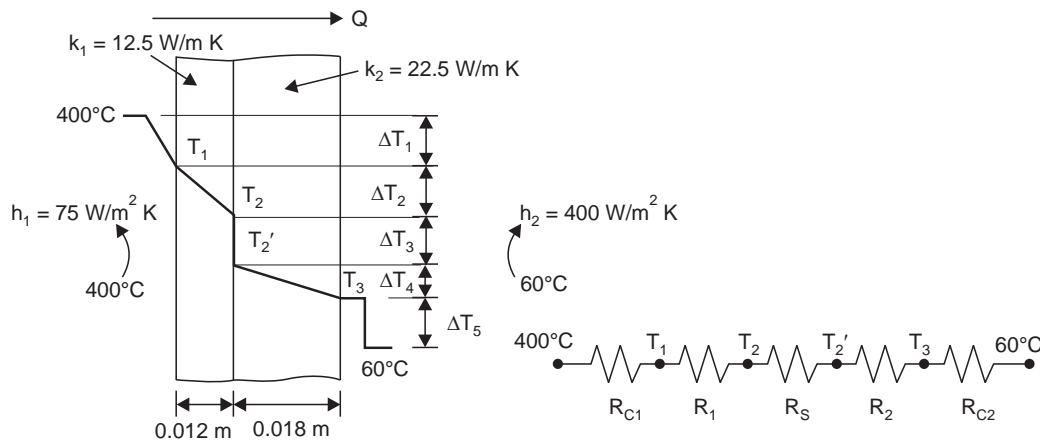


Fig. P. 2.5. Problem model

$$\begin{aligned} \text{Total resistance} &= \frac{1}{h_1} + \frac{L_1}{k_1} + R_{\text{contact}} + \frac{L_2}{k_2} + \frac{1}{h_2} \\ &= \frac{1}{75} + \frac{0.012}{12.5} + 5 \times 10^{-4} + \frac{0.018}{22.5} + \frac{1}{400} \\ &= 0.018093333 \text{ m}^2 \text{ K/W} \end{aligned}$$

$$U = \frac{1}{R} = 55.27 \text{ W/m}^2\text{K}$$

$$Q = \frac{\Delta T}{R} = \frac{400 - 60}{0.018093333} = 18791.45 \text{ W}$$

Temperature drop:

$$\begin{aligned} \text{1st convection layer: } Q &= h_1(T_\infty - T_1) \quad \therefore T_1 = 149.447^\circ\text{C} \\ 18791.45 &= 75(400 - T_1) \quad \Delta T_1 = 250.553^\circ\text{C} \end{aligned}$$

$$\text{1st conduction layer } Q = \frac{\Delta T}{L/k} = \frac{149.447 - T_2}{(0.012/12.5)}$$

$$\therefore T_2 = 131.407^\circ\text{C} \quad \Delta T_2 = 18.04^\circ\text{C}$$

$$\text{Contact surface drop: } \Delta T_3 = Q \cdot R = 5 \times 10^{-4} \times 18791.45 = 9.4^\circ\text{C}$$

$$\therefore T_2' = 122^\circ\text{C}$$

2nd conduction layer

$$Q = \frac{\Delta T}{L_2 / K_2} \quad \Delta T_4 = Q \times \frac{L_2}{K_2} = \frac{18791.45 \times 0.018}{22.5}$$

$$\Delta T_4 = 15.03^\circ\text{C} \quad T_3 = 122 - 15.03 = \mathbf{106.97^\circ\text{C}}$$

Check: using last convection layer

$$Q = h(\Delta T_5) = 400(106.97 - 60) = 18788 \text{ W checks}$$

The contribution of contact resistance is small as this involves a temperature drop of 9.4°C out of 340°C . This is the general order of contact resistance the heat flow calculated neglecting contact resistance is 19325.50 W . Which is higher by 2.76% . This is less than errors due to uncertainty in values of k . However, whenever possible the contact resistance should be taken into account.

Problem 2.6: A composite slab is made of three layers 15 cm, 10 cm and 12 cm thickness. The first layer is of material with thermal conductivity 1.45 for 60% of the area and the rest is of material with conductivity of 2.5 W/mK . The second layer is made of material with conductivity of 12.5 W/mK for 50% area and of material with conductivity 18.5 W/mK is used for the other 50%. The third layer is of single material of thermal conductivity 0.76 W/mK . The slab is exposed on one side to warm air at 26°C and to cold air at -20°C on the other side. The convection coefficients are 15 and $20 \text{ W/m}^2\text{K}$ on the inside and outside respectively. Determine the heat flow and interface temperatures.

Solution: The thermal resistances of the five material section are found assuming a total area of 1 m^2 . Refer Fig. P. 2.6.

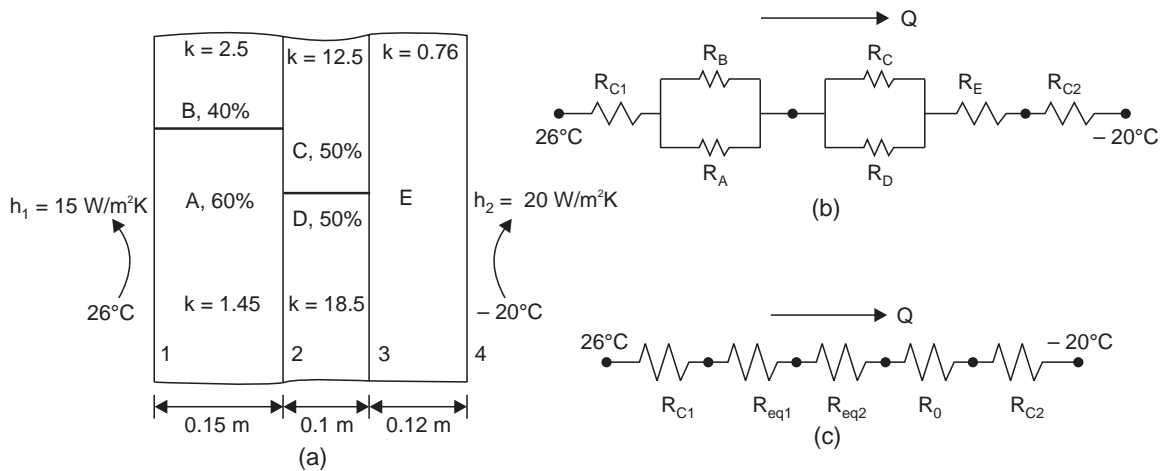


Fig. P. 2.6. Problem model.

$$\therefore R_{c1} = \frac{1}{1 \times 15} = 0.06667, R_A = \frac{0.15}{1.45 \times 0.6}, R_B = \frac{0.15}{0.4 \times 2.5}$$

$$\therefore R_C = \frac{0.1}{12.5 \times 0.5}, R_D = \frac{0.1}{18.5 \times 0.5}, R_E = \frac{0.12}{0.76 \times 1} = 0.1579$$

$$R_{c2} = \frac{1}{1 \times 20} = 0.05$$

The equivalent resistance for the parallel paths are found using

$$1/R_{eq} = \frac{1}{R_1} + \frac{1}{R_2} \text{ where } R_1 \text{ and } R_2 \text{ are the resistances in parallel}$$

$$\therefore 1/R_{eq1} = [1/(0.15/1.45 \times 0.6)] + [1/(0.15/0.4 \times 2.5)]$$

$$\therefore R_{eq1} = 0.0802 \text{ m}^2\text{C/W}$$

$$\therefore 1/R_{eq2} = [1/(0.1/18.5 \times 0.5)] + [1/(0.1/12.5 \times 0.5)]$$

$$\therefore R_{eq2} = 0.006452 \text{ m}^2\text{C/W}$$

$$\Sigma R = 0.06667 + 0.0802 + 0.006452 + 0.1579 + 0.05 = 0.3612$$

$$\therefore Q = \frac{\Delta T}{\Sigma R} = \frac{26 - (-20)}{0.3612} = 127.35 \text{ W/m}^2$$

Interface temperatures:

$$\text{face 1: } Q = \frac{\Delta T_2}{R_1} = \frac{26 - T_1}{1/15} = 127.35$$

$$\therefore \Delta T_1 = 8.49 \quad \therefore T_1 = 17.51^\circ\text{C}$$

$$\text{face 2: } Q = \frac{\Delta T_2}{R_{eq1}} = \frac{\Delta T_2}{0.0802} = 127.35$$

$$\therefore \Delta T_2 = 10.21^\circ\text{C} \quad \therefore T_2 = 7.3^\circ\text{C}$$

$$\text{face 3: } Q = \frac{\Delta T_3}{R_{eq2}} = \frac{\Delta T_3}{0.006452} = 127.35$$

$$\therefore \Delta T_3 = 0.82^\circ\text{C} \quad \therefore T_3 = 6.48^\circ\text{C}$$

$$\text{face 4: } Q = \frac{\Delta T_4}{R_4} = \frac{\Delta T_4}{0.12/0.76} = 127.35$$

$$\therefore \Delta T_4 = 20.11^\circ\text{C} \quad \therefore T_4 = -13.63^\circ\text{C}$$

Check: heat flow by convection on the cooler side:

$$h \{-13.63 - (-20)\} = 20 \times 6.372 = 127.44 \text{ W}$$

It may be noted that some heat flow occurs between A and B as well as between C and D at their interface and hence the temperature variation in individual materials cannot be established by this analysis.

Problem 2.7: A heat flux of 1500 W/m^2 is incident on the surface of a slab 10 cm thick with thermal conductivity of 7.5 W/mK . The hot side is found to be at 120°C . On the other side, the heat is passed on to the surroundings at 30°C both by convection and radiation. It radiation is ideal, determine the convection coefficient and also the share of heat flow between the two processes.

Solution: The specified data are shown in Fig. P. 2.7. Looking at the equivalent circuit, Fig P. 2.7(b), the value of h is identified as the unknown. The value of h can be found if the surface temp. is determined. Using the conduction layer only

$$Q = 1500 = \frac{120 - T_2}{0.1/7.5}$$

$$\therefore T_2 = 100^\circ\text{C}$$

To find h , temperatures should be in absolute units

$$T_2 = 273 + 100 = 373 \text{ K}, T_s = 273 + 30 = 303 \text{ K}$$

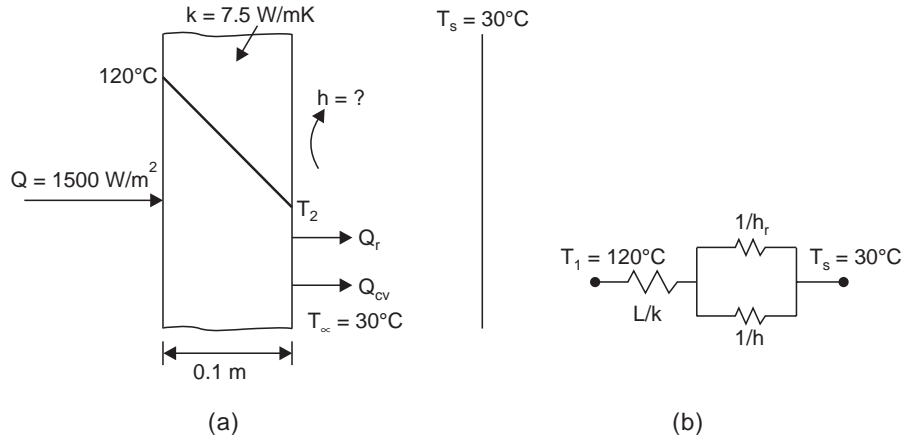


Fig. P. 2.7. Problem model.

$$\frac{1}{h_r} = \frac{1}{\sigma(T_2 + T_s)(T_2^2 + T_s^2)} = \frac{1}{5.67 \times 10^{-8} (373 + 303) \times (373^2 + 303^2)}$$

$$= 0.112973 \text{ m}^2\text{C/W}$$

$$Q = \frac{100 - 30}{R} = 1500 \quad \therefore R = 0.0466^\circ\text{Cm}^2/\text{W}$$

Using the parallel circuit (Fig. 2.7 b)

$$\frac{1}{R} = h_r + h \quad \therefore h = (1/0.0466) - (1/0.112973)$$

$$\therefore h = 12.58 \text{ W/m}^2\text{K}$$

$$Q_r = \sigma (T_2^4 - T_s^4) = 5.67 (3.73^4 - 3.03^4) = 619.62 \text{ W} \quad 41.3\%$$

$$Q_{cv} = 12.58 (100 - 30) = 880.6 \text{ W} \quad 58.7\% \text{ Total: } 1500.72 \text{ W checks.}$$

Problem 2.8: A 2 kW heater element of area 0.04 m² is protected on the backside with insulation 50 mm thick of k = 1.4 W/mK and on the front side by a plate 10 mm thick with thermal conductivity of 45 W/mK. The backside is exposed to air at 5°C with convection coefficient of 10 W/m² K and the front is exposed to air at 15°C with convection coefficient including radiation of 250 W/m² K. Determine the heater element temperature and the heat flow into the room under steady conditions.

Solution: The equivalent circuit can be drawn as in Fig. 2.8(b).

$$Q_1 + Q_2 = 2000 \text{ W} \quad Q_1 = \frac{T_o - 15}{\frac{0.01}{45 \times 0.04} + \frac{1}{250 \times 0.04}} = 9.4737 (T_o - 15)$$

$$Q_2 = \frac{T_o - 5}{\frac{0.05}{1.4 \times 0.04} + \frac{1}{10 \times 0.04}} = 0.29473 (T_o - 5)$$

$$Q_1 + Q_2 = 9.4737 (T_o - 15) + 0.29473 (T_o - 5) = 2000$$

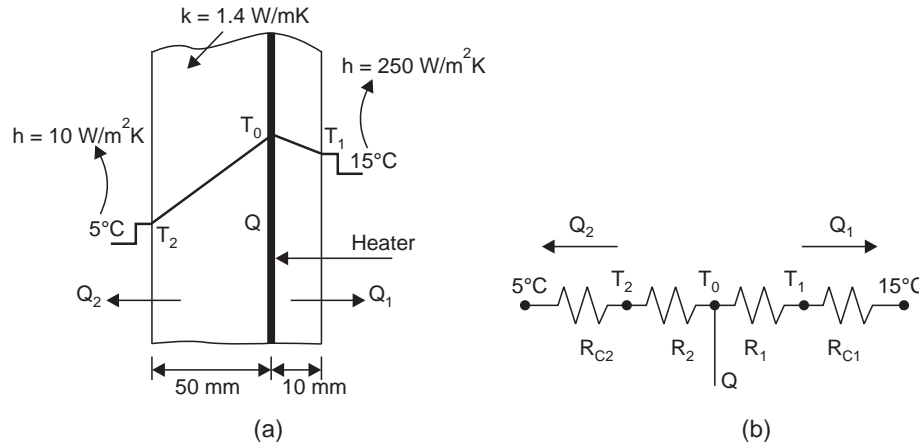


Fig. P. 2.8. Problem Model.

$$9.7684 T_0 - 143.58 = 2000 \quad \therefore T_0 = 219.44^\circ\text{C}$$

Room side

$$Q_1 = \frac{(219.44 - 15)}{\frac{0.01}{45 \times 0.04} + \frac{1}{250 \times 0.04}} = 1936.8 \text{ W, } 96.84\%$$

Back side

$$Q_2 = \frac{(219.44 - 5)}{\frac{1}{10 \times 0.04} + \frac{0.05}{1.4 \times 0.04}} = 63.2 \text{ W, } 3.16\%$$

Surface temperature \therefore Room side

$$\Delta T_1 = Q_1 \times \frac{1}{h_1 A} = \frac{1936.8}{250 \times 0.04} = 193.68^\circ\text{C}$$

$$T_1 = 193.68 + 15 = 208.68^\circ\text{C}$$

Back side

$$\Delta T_2 = Q_2 \times \frac{1}{h_2 A} = 63.2 \times \frac{1}{10 \times 0.04} = 158^\circ\text{C}$$

$$T_2 = 158 + 5 = 163^\circ\text{C}.$$

Problem 2.9: To reduce frosting it is desired to keep the outside surface of a glazed window at 4°C . The outside is at -10°C and the convection coefficient is $60 \text{ W/m}^2\text{K}$. In order to maintain the conditions a uniform heat flux is provided at the inner surface which is in contact with room air at 22°C with a convection coefficient of $12 \text{ W/m}^2\text{K}$. The glass is 7 mm thick and has a thermal conductivity of 1.4 W/mK . Determine the heating required per m^2 area

The data are shown in Fig. P. 2.9.

Solution: The heat flow through the barrier = heat convected on the outside
 $= h (T - T_{\infty 1})$
 $= 60 (4 - (-10)) = 840 \text{ W/m}^2$

The heat flow through the barrier is the same

$$840 = \frac{\Delta T}{R} = \frac{T_1 - 4}{0.007/1.4} \quad \therefore T_1 = 8.2^\circ\text{C}$$

The heat flux + heat received by convection from room = heat flow through barrier
 heat flux = heat flow through glass barrier – heat convected from inside
 $= 840 - 12 (22 - 8.2) = 840 - 165.6 = \mathbf{674.4 \text{ W}}$

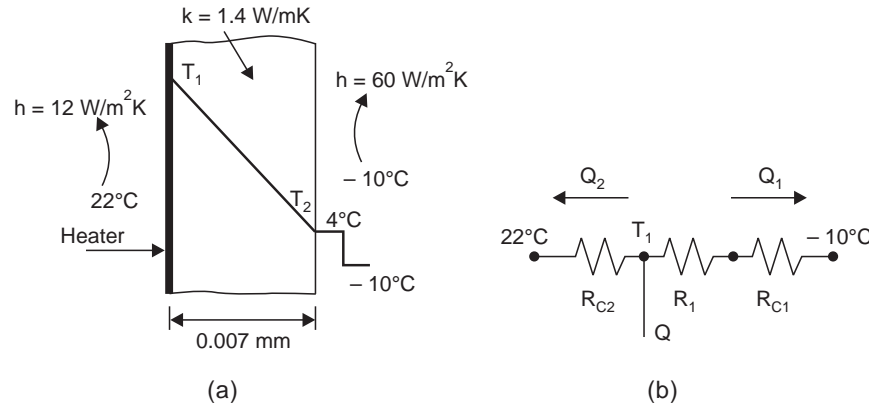


Fig. P. 2.9. Problem model.

If it is desired that the inside well temperature and room temperatures should be equal for comfort, determine the heat flux. In this case $T_1 = 22^\circ\text{C}$ and T_2 is not known

But heat conducted = heat convected

$$\frac{22 - T_2}{0.007/1.4} = 60 (T_2 - (-10))$$

solving

$$22 - T = 0.3 T + 3, T_2 = \mathbf{14.62^\circ\text{C}}$$

$$Q = \frac{22 - 14.62}{0.007/1.4} = \mathbf{1477 \text{ W}}$$

Check

$$Q = h(T - T_\infty) = 60 \times 24.62 = 1477.2 \text{ W}$$

This is almost double.

Problem 2.10: In a slab of material 0.25 m thick and having a thermal conductivity of 45 W/mK, the temperature $^\circ\text{C}$ at x under steady state is given by $T = 100 + 200x - 400x^2$ when x is measured from one face in m. Determine the heat flow at $x = 0$, $x = 0.125$ and $x = 0.25$ m and also the temperatures and temperature gradients at these planes. If the difference in heat flow at these sections is due to the heat generation, determine the heat generation rate per unit volume.

Solution: The temperatures are determined from the equation

$$T = 100 + 200x - 400x^2$$

at $x = 0. \quad T = 100^\circ\text{C}$

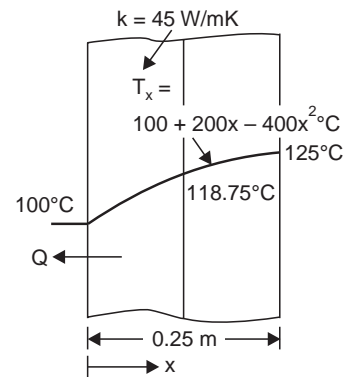


Fig. P. 2.10. Problem model.

at $x = 0.125$ $T = 100 + 200 \times 0.125 - 400 \times 0.125^2 = 118.75^\circ\text{C}$

at $x = 0.25$ $T = 100 + 200 \times 0.25 - 400 \times 0.25^2 = 125^\circ\text{C}$

Differentiating the above equation w.r.t. x

$$\frac{dT}{dx} = 200 - 800x \quad \text{Considering unit area}$$

at $x = 0$, $\frac{dT}{dx} = 200$ heat flow $= -kA \frac{dT}{dx}$

at $x = 0.125$, $\frac{dT}{dx} = 100$

at $x = 0.25$, $\frac{dT}{dx} = 0$, at $x = 0$ $Q = -45 \times 1 \times 200 = -9000 \text{ W}$

at $x = 0.125$, $Q = -45 \times 1 \times 100 = -4500 \text{ W}$

at $x = 0.25$ $Q = -45 \times 0 = 0$

Heat flow over 1m^2 and thickness 0.25 m is **9000 W** for 1m^3 heat generation is **36000 W/m³**

This problem illustrates the use of the temperature gradient in the determination of heat flow. The general one dimensional heat flow equation with heat generation can also be obtained from the above as detailed

$$\frac{d^2T}{dx^2} = -800 \quad \text{or} \quad \frac{d^2T}{dx^2} + 800 = 0$$

or $\frac{d^2T}{dx^2} + \frac{36000}{45} = 0$ or $\frac{d^2T}{dx^2} + \frac{\dot{q}}{k} = 0$

Problem 2.11: A composite cylinder consists of 10 cm radius steel pipe of 25 mm thickness over which two layers of insulation 30 mm and 35 mm are laid. The conductivities are 25 W/mK, 0.25 W/mK and 0.65 W/mK. The inside is exposed to convection at 300°C with $h = 65 \text{ W/m}^2\text{K}$. The outside is exposed to air at 30°C with $h = 15 \text{ W/m}^2\text{K}$. Determine the heat loss/m. Also find the interface temperatures.

Solution: The heat flow is found by,

$$Q = \frac{\text{Overall temperature drop}}{\text{Total thermal resistance}}$$

considering 1 m length:

$$\begin{aligned} \text{Inside convection: } R_1 &= \frac{1}{h_1 A} = \frac{1}{65 \times 2\pi \times 0.1 \times 1} \\ &= 0.0245^\circ\text{C/W} \end{aligned}$$

$$\text{Conduction layer 1: } R_2 = \frac{\ln \frac{r_2}{r_1}}{2\pi k_1 l} = \frac{\ln (0.125 / 0.1)}{2\pi \times 25 \times 1} = 0.0014206^\circ\text{C/W}$$

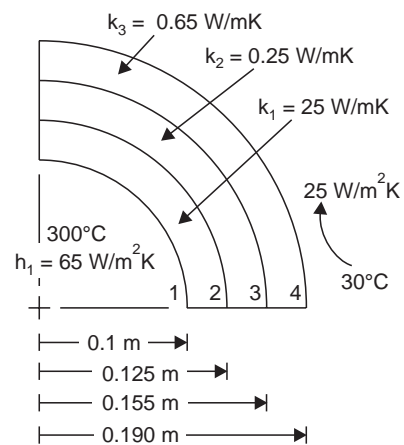


Fig. P. 2.11. Problem model.

Conduction layer 2: $R_3 = \frac{\ln(0.155/0.125)}{2\pi \times 0.25 \times 1} = 0.13694^\circ\text{C/W}$

Conduction layer 3: $R_4 = \frac{\ln(0.190/0.155)}{2\pi \times 0.65 \times 1} = 0.04985^\circ\text{C/W}$

Convection on the outside $R_5 = \frac{1}{h_2 A_2} = \frac{1}{15 \times 2\pi \times 0.190 \times 1} = 0.05584^\circ\text{C/W}$

as Total $R = 0.2685459$, $Q = \frac{300 - 30}{0.2685459} = 1005.42 \text{ W/m}$

To find interface temperatures:

$$Q = \frac{\Delta T_1}{R_1}, \Delta T_1 = Q \times R_1 = 1005.42 \times 0.0245$$

	$\Delta T_1 = 24.61$	$T_1 = 275.39^\circ\text{C}$
Similarly	$\Delta T_2 = 1.43$	$T_2 = 273.96^\circ\text{C}$
	$\Delta T_3 = 137.69$	$T_3 = 136.27^\circ\text{C}$
	$\Delta T_4 = 50.12$	$T_4 = 86.15^\circ\text{C}$
	$\Delta T_5 = 56.15$	

Total = 270.00 checks

Check: $Q = hA \Delta T = 15 \times 2\pi \times 0.19 \times 1 (86.15 - 30)$
 $= 1005.48 \text{ W (using outside convection)}$

- Note:** 1. The temperature drop is highest for the layer with low value of conductivity.
 2. The drop in the metal wall is very small.

Problem 2.12: A 6 cm thick insulation is laid on a steam pipe with surface temperatures of 240°C and diameter of 30 cm with a contact resistance of 0.02 m²°C/W. The conductivity of the material is 0.4 W/mK. Under natural convection conditions to air at 30°C the convective heat transfer coefficient has a value of 15 W/m²K. When winds blow (the pipe runs outside) the coefficient of convective heat transfer reaches a value of 75 W/m²K. Determine the heat loss/m length in these cases. Also find the temperatures at interfaces, the temperature gradient at the two surfaces under free convection conditions. Plot the variation of temperature along the radius.

Solution: The data are presented in Fig. P2.12(a)

$$Q = \frac{\Delta T}{\Sigma R}$$

There are three resistances:

1. Contact resistance, 2. Conduction resistance and 3. Convection resistance. Considering 1 m length.

1. Contact resistance = 0.02 m²°C/W. This is for 1 m². The contact area is $2\pi r l = 2 \times \pi \times 0.15 \times 1 \text{ m}^2$. Contact resistance for the area considered

$$= \frac{0.02}{2 \times \pi \times 0.15 \times 1} = 0.02122066^\circ\text{C/W}$$

2. Conduction resistance = $\ln\left(\frac{r_2}{r_1}\right) / 2\pi k l = \ln\left(\frac{0.21}{0.15}\right) / 2 \times \pi \times 0.4 \times 1 = 0.1338781^\circ\text{C/W}$

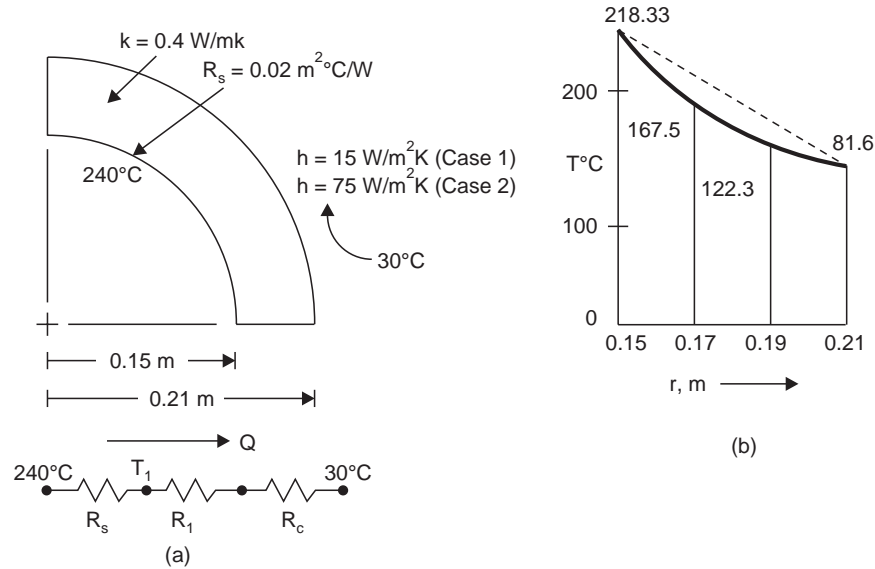


Fig. P. 2.12. Problem model.

$$3. \text{ Convection resistance on the outside} = \frac{1}{hA_o}$$

$$\text{Case 1: } \frac{1}{15 \times 2\pi r_0 l} = \frac{1}{15 \times 2\pi \times 0.21 \times 1} = 0.05052538^\circ\text{C/W}$$

$$\text{Case 2: } \frac{1}{75 \times 2\pi \times 0.21 \times 1} = 0.010105075^\circ\text{C/W}$$

$$\text{Case 1: Total resistance } (R_1) = 0.02122066 + 0.1338781 + 0.05052538 = 0.205624$$

$$\text{heat flow} = \frac{\Delta T}{R} = \frac{240 - 30}{0.205624} = 1021.28 \text{ W/m length}$$

$$R_2 = 0.02122066 + 0.1338781 + 0.010105075 = 0.1652$$

$$\text{Case 2: } Q = \frac{\Delta T}{R_2} = \frac{240 - 30}{0.1652} = 1271.15 \text{ W, an increase of 24.5\%}$$

The temperatures at various locations are calculated under free convection conditions

The pipe surface temp.: 240°C

Temp. drop in the contact resistance

$$= Q \times R_{\text{contact}} = 1021.28 \times 0.02122066 = 21.67^\circ\text{C}$$

Insulation inside surface temp.

$$= 240 - 21.67 = 218.33^\circ\text{C}$$

Temperature drop in the insulation

$$= Q \times R_{\text{insulation}} = 1021.28 \times 0.1338781 = 136.73^\circ\text{C}$$

Outside surface temp. = $218.33 - 136.73 = 81.6^\circ\text{C}$

Check: Convection heat flow on the outside

$$= 15 \times 2\pi \times 0.21 \times 1 (81.6 - 30) = 1021.27 \text{ W}$$

To find temperature gradient at the inner surface:

$$Q = -kA \left. \frac{dT}{dr} \right|_{0.15 \text{ m}}$$

$$1021.28 = 0.4 \times 2\pi \times 0.15 \times 1 \left. \frac{dT}{dr} \right|_{\text{inner}} \therefore \left. \frac{dT}{dr} \right|_{\text{inner}} = -2709^\circ\text{C/m}$$

Outside: $1021.28 = 0.4 \times 2\pi \times 0.21 \times 1 \left. \frac{dT}{dr} \right|_{\text{outer}} \therefore \left. \frac{dT}{dr} \right|_{\text{outer}} = -1935^\circ\text{C/m}$

To find and plot temperature along the radius, a radius of 0.17, 0.19 are chosen

$$Q = 1021.28 = \frac{\Delta T}{\left(\ln \frac{0.17}{0.15} \right) / 2\pi \times 0.4 \times 1}$$

$$\therefore \Delta T = 50.86^\circ\text{C}$$

$$T_{0.17} = 218.33 - 50.86 = 167.47^\circ\text{C}$$

$$1021.28 = \frac{\Delta T}{\left(\ln \frac{0.19}{0.15} \right) / 2\pi \times 0.4 \times 1}, \Delta T = 96.06^\circ\text{C}$$

$$T_{0.19} = 218.33 - 96.06 = 122.27^\circ\text{C}$$

These are plotted in Fig. P. 2.12(b).

Problem 2.13: Insulation is added in 3 cm layers over a steel pipe of 30 cm dia. The convection on the outside is $25 \text{ W/m}^2\text{K}$. The conductivity of the material is 0.47 W/mK . Determine the total thermal resistance for the addition of 5 such layers. Compare the % increase in resistance and % increase in the volume of material over the first layer.

Solution: Calculations are based on : 1 m length

$$R = \frac{1}{hA_o} + \frac{\ln \frac{r_2}{r_1}}{2\pi k}; \text{ and } V = \pi (r_2^2 - r_1^2) \times 1$$

$$A = 2\pi r l \quad l = 1 \text{ m}, k = 0.47 \text{ W/mK} \quad h = 25 \text{ W/m}^2\text{K}$$

Insulation thickness	r_1	r_2	Thermal resistance	% increase in R over the previous	Volume	% increase in V over the previous	Q for 100°C drop
0	0.15	0.15	0.0424	—	—	—	2358.5
0.03	0.15	0.18	0.0971	129.0	0.0311	—	1029.9
0.06	0.15	0.21	0.1443	48.6	0.0679	118.2	693.0
0.09	0.15	0.24	0.1857	28.7	0.1103	62.4	538.5
0.12	0.15	0.27	0.2226	19.9	0.1583	43.6	449.2
0.15	0.15	0.30	0.2559	15.0	0.2121	34.0	390.8

Addition of insulation beyond a certain point is marginally effective as seen from the tabulation. This is due to the reduction in convective resistance. Another point to be noted is that resistance increases continuously but at a lower rate. Critical radius $R_c = \frac{k}{h} = \frac{0.47}{25} = 0.0188$, much smaller than the base radius. For larger diameters, the addition of insulation will generally reduce the heat flow.

Problem 2.14: A copper wire 5 mm dia carrying current generates 66.76 W/m length

(i) If the surface is exposed to air at 30°C with $h = 25 \text{ W/m}^2\text{K}$. Determine the surface temperature.

(ii) If a very thin coating of varnish like insulation with a contact resistance of $0.02 \text{ m}^2\text{C/W}$ is added, determine the surface temperature.

Solution: Case 1: heat generated = heat convected over the surface

$$66.76 = 25 \times \pi \times 0.005 \times 1(T - 30)$$

$$\therefore \quad \mathbf{T = 200^\circ\text{C}}$$

Case 2: heat generated = heat conducted = heat convected

or
$$Q = \frac{\Delta T}{R}$$

The resistance now is made up of contact resistance and convection resistance.

contact resistance
$$= \frac{0.02}{\pi \times d \times 1} = \frac{0.02}{\pi \times 0.005 \times 1} = 1.273^\circ\text{C/W}$$

convection resistance
$$= \frac{1}{hA} = \frac{1}{25 \times \pi \times 0.005 \times 1} = 2.5465^\circ\text{C/W}$$

$$Q = \frac{T - 30}{(2.5465 + 1.273)} = 66.76 \text{ W}, \mathbf{T = 255 + 30 = 285^\circ\text{C}}.$$

Problem 2.15: A copper wire of 5 mm dia carrying current generates 294 W/m length. It is exposed to convection at 30°C with $h = 25 \text{ W/m}^2\text{K}$. investigate the effect of adding an insulation with $k = 0.5 \text{ W/mK}$ in steps of 2.5 mm thicknesses, on the wire.

Solution: The wire temperature is found using $\frac{\Delta T}{R} = 294$ where

$$R = \frac{1}{hA} + \frac{\ln \frac{r_2}{r_1}}{2\pi k}$$

Inner radius = 0.0025 m, 1 m length. The results are tabulated.

Outer radius m	Conduction resistance °C/W	Convection resistance °C/W	Total resistance °C/W	Wire surface temperature °C
Bare wire	—	2.5465	2.5465	778.67
0.0050	0.2206	1.2732	1.4938	469.2
0.0075	0.3497	0.8488	1.1985	382.2
0.0100	0.4413	0.6366	1.0779	346.9

(Contd...)

0.0125	0.5123	0.5093	1.0216	330.3
0.0150	0.5703	0.4244	0.9947	322.5
0.0175	0.6194	0.3638	0.9832	319.1
0.0200	0.6619	0.3183	0.9802	318.2
0.0225	0.6994	0.2829	0.9823	318.8
0.0250	0.7329	0.2546	0.9875	320.33

Note: The wire surface temperature actually decreases by the addition of insulation. After a certain thickness it again increases. The radius for this condition is called the critical radius and this is given by

$$r_c = \frac{k}{h} = \frac{0.5}{25} = 0.02 \text{ m or } 20 \text{ mm.}$$

Problem 2.16: A 10 mm OD pipe has cold fluid flowing inside which keeps the surface temperature at 3°C. The pipe is exposed to air at 30°C with a convection coefficient of 10 W/m²K. Insulation with thermal conductivity of 0.15 W/mK is added in 5 mm layers. Investigate the effect of this addition on the heat flow in. The pipe surface temperature, surrounding temperature and convection coefficients remain unchanged.

Solution: Heat flow $= \frac{\Delta T}{R_c + R_k} = \frac{30 - 3}{R}$

$$R_c = \text{convection resistance} = \frac{1}{hA}$$

$$R_k = \frac{\ln\left(\frac{r_2}{r_1}\right)}{2\pi k}, \quad l = 1 \text{ m, } r_1 = 5 \text{ mm.}$$

The values calculated are tabulated:

Insulation thickness mm	outer radius m	Resistance °C/W			heat flow/W/m
		R_k	R_c	Total R	
0	0.005	—	3.1831	3.1831	8.48
5	0.010	0.7355	1.5915	2.3270	11.60
10	0.015	1.1657	1.0610	2.2267	12.13
15	0.020	1.4709	0.7958	2.2667	11.91
20	0.025	1.7077	0.6366	2.3443	11.52
25	0.030	1.9011	0.5305	2.4316	11.10

The addition of insulation has actually increased the heat leakage. This is due to the large reduction in convection resistance compared to the increased conduction resistance. It may be noted that the resistance decreased and then increased. $r_c = \frac{k}{h} = \frac{0.15}{10} \text{ m} = 15 \text{ mm}$. This is verified from the tabulation. The bare pipe appears to be better. This situation is met with in smaller diameter pipes.

In the case of insulating electrical wire the increased heat flow is desirable as this will keep the wire temperature at lower levels.

Problem 2.17: A steel pipe of 0.4 m dia carrying oil in the cold region is proposed to be protected by insulations A and B of 8 cm and 10 cm thickness with conductivities of 0.03 and 0.3 W/mK. These are purchased in required volumes in powder form. During the execution, by mistake the material B with conductivity 0.3 W/mK was applied first and then the other material. Investigate the heat transfer rate in the two situations. The data are presented in Fig. P. 2.17(a) and (b).

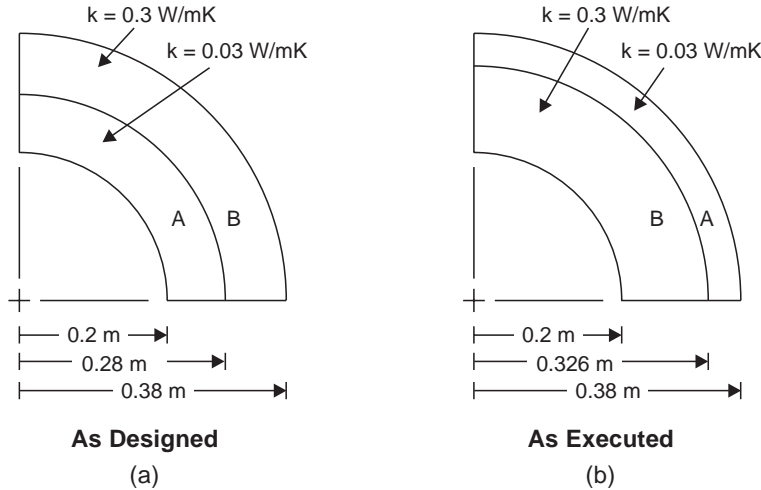


Fig. P. 2.17. Problem model.

Solution: The volume of materials applied are the same, considering 1 m length

$$\text{Volume of } A = \pi (0.28^2 - 0.2^2) \times 1 = 0.12064 \text{ m}^3$$

$$\text{Volume of } B = \pi (0.38^2 - 0.28^2) \times 1 = 0.2073 \text{ m}^3$$

After application the outside radius of B is

$$0.2073 = \pi (r^2 - 0.2^2) \times 1 \quad r_2 = 0.326 \text{ m}$$

The outer radius has to be 0.38 m

$$\text{Check: } V = \pi (0.38^2 - 0.326^2) \times 1 = 0.12064 \text{ m}^3$$

Case 1: Total resistance (1 m length)

$$\begin{aligned} \frac{\ln \frac{r_2}{r_1}}{2\pi k_1} + \frac{\ln \frac{r_3}{r_2}}{2\pi k_2} &= \frac{\ln \frac{0.28}{0.2}}{2\pi \times 0.03} + \frac{\ln \frac{0.38}{0.28}}{2\pi \times 0.3} \\ &= 1.785 + 0.162 = \mathbf{1.947^\circ\text{C/W}} \end{aligned}$$

$$\text{Case 2: } \frac{\ln \frac{0.326}{0.2}}{2\pi \times 0.3} + \frac{\ln \frac{0.38}{0.326}}{2\pi \times 0.03} = 0.2592 + 0.8131 = \mathbf{1.0723^\circ\text{C/W}}$$

The resistance is reduced to 55% of the value and heat flow will increase. For insulation this is not desirable. Thus the order of application becomes important.

Problem 2.18: Orders were placed to supply formed layers of insulation A and B of thickness 5 cm each to be applied over a pipe of 0.3 m dia, the insulation A to be of 0.3 m ID and 0.4 m OD and insulation B is to be of 0.4 m ID and 0.5 m OD. The conductivities of A and B are to be 0.04 and 0.08 W/mK. However the supplier by mistake has supplied insulation A of size 0.4 m ID and OD of 0.5 m and insulation B of 0.3 ID and 0.4 m OD. Check whether there will be any change in heat flow.

Solution: Case 1: As proposed: (1 m length)

$$\begin{aligned} \text{Resistance} &= \frac{1}{2\pi k_A} \ln \frac{r_2}{r_1} + \frac{1}{2\pi k_B} \ln \frac{r_3}{r_2} \\ &= \frac{1}{2\pi \times 0.04} \ln \frac{0.2}{0.15} + \frac{1}{2\pi \times 0.08} \ln \frac{0.25}{0.2} \\ &= 1.145 + 0.444 = 1.589^\circ\text{C/W} \end{aligned}$$

Case 2: As supplied:

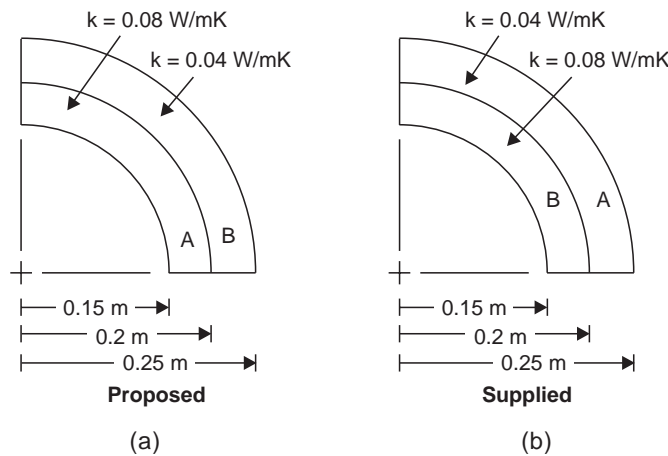


Fig. P. 2.18. Problem model.

$$\begin{aligned} \text{Resistance} &= \frac{1}{2\pi \times 0.08} \ln \frac{0.2}{0.15} + \frac{1}{2\pi \times 0.04} \ln \frac{0.25}{0.2} \\ &= 0.572 + 0.888 = 1.46^\circ\text{C/W} \end{aligned}$$

There is a **reduction of 8.1% in the resistance**

For a given temperature drop, the heat flow will increase as reciprocal of the resistance *i.e.* as

$$\frac{1}{1.584} : \frac{1}{1.46} \text{ i.e. } 0.63 : 0.685 \text{ i.e. } 1 : 1.087 \text{ or } 8.7\%.$$

Problem 2.19: A steel pipe of outside diameter 30 cm carries steam and its surface temperature is 220°C. It is exposed to surroundings at 25°C. Heat is lost both by convection and radiation. The convective heat transfer coefficient has a value of 22 W/m²K. Determine the heat loss per 1 m length. Check the economical merits of adding insulation pads of 7.5 cm thickness with thermal conductivity of 0.36 W/mK. The cost of heat is Rs. 200/- per 10⁶ kJ. The cost of insulation is Rs. 8000/m length. The unit is in operation for 200 hr/year. The capital should be recovered in 2 years. After adding the insulation also the same convection and radiation prevail over the surface.

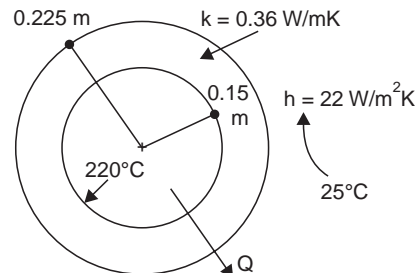


Fig. P. 2.19. Problem model.

The data specified are shown in Fig. P. 2.19.

Solution: Case 1: bare pipe

heat lost over the surface Q = heat convected + heat radiated

$$Q = h A (\Delta T) + \sigma A (T_1^4 - T_2^4)$$

considering unit length

$$\begin{aligned} Q &= 22 \times \pi \times 0.3 \times 1(220 - 25) + 5.67 \times \pi \times 0.3 \{(220 + 2.73)^4 - (25 + 2.73)^4\} \\ &= 4043.23 + 2735.34 = \mathbf{6778.57 \text{ W/m length.}} \end{aligned}$$

Case 2: Surface temperature is not known let it be T .

Heat conducted = heat convected + heat radiated.

Using absolute temperature scale.

$$\begin{aligned} \frac{(273 + 220) - T}{\ln \frac{0.225}{0.015}} \times 2\pi \times 0.36 &= 22 \times \pi \times 0.45 (T - 298) \\ &+ 5.67 \times \pi \times 0.45 \left[\left(\frac{T}{100} \right)^4 - \left(\frac{298}{100} \right)^4 \right] \end{aligned}$$

$$\text{This reduces to } \left(\frac{T}{100} \right)^4 + 4.58T - 1578.2 = 0.$$

Solving by trial, T = 321.3 K or 48.3°C.

Heat loss:

$$\frac{(220 - 48.3)}{\ln \frac{0.225}{0.15}} / 2\pi \times 0.36 = 957.8 \text{ W}$$

$$\text{Saving} = 6778.57 - 957.8 = \mathbf{5820.77 \text{ W}}$$

$$\text{Cost of heat saved/year} = \frac{5820.70 \times 2000 \times 3600}{10^9} \times 200 = \text{Rs. } \mathbf{8382/-}$$

Hence it is economical (10^9 – to convert Joule to 10^6 kJ), as cost is recovered in less than a year.

Problem 2.20: A hollow cylinder has in internal diameter of 20 mm and thickness of 10 mm. The inner surface is at 500°C and the outside is at 100°C. Determine the temperature at 2 mm intervals and plot to scale.

The data are shown in Fig. P. 2.20 (a).

Solution: Using equation 2.17

$$\frac{T_3 - T_1}{T_2 - T_1} = \frac{\ln \frac{0.012}{0.01}}{\ln \frac{0.02}{0.01}} \quad \therefore \frac{T_3 - 500}{100 - 500} = 0.263 \quad \therefore T_3 = \mathbf{394.8^\circ\text{C}}$$

$$\frac{T_4 - T_1}{T_2 - T_1} = \frac{\ln \frac{0.014}{0.01}}{\ln \frac{0.02}{0.01}} \quad \therefore \frac{T_4 - 500}{100 - 500} = 0.485 \quad \therefore T_4 = \mathbf{305.8^\circ\text{C}}$$

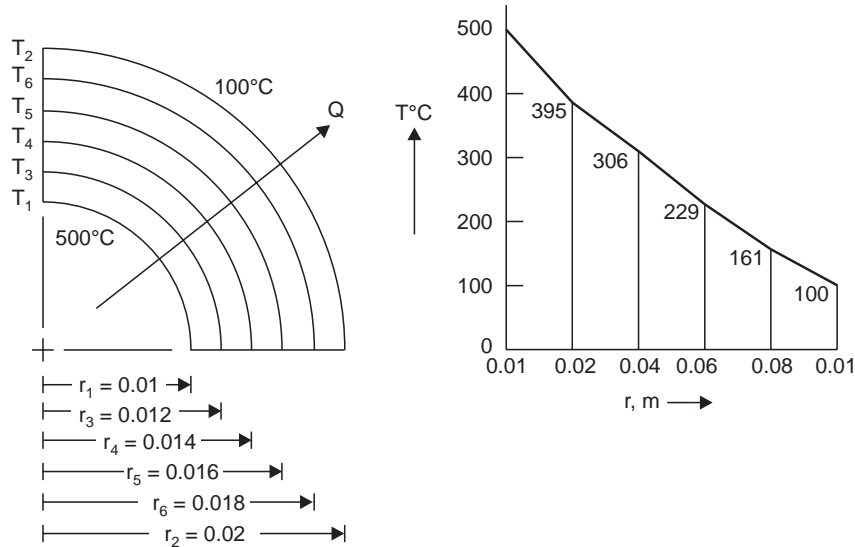


Fig. P. 2.20. Variation of temperature along the radius in hollow cylinder.

$$\frac{T_5 - T_1}{T_2 - T_1} = \frac{\ln \frac{0.016}{0.01}}{\ln \frac{0.02}{0.01}} \quad \therefore \frac{T_5 - 500}{100 - 500} = 0.678 \quad \therefore T_5 = 228.8^\circ\text{C}$$

$$\frac{T_6 - T_1}{T_2 - T_1} = \frac{\ln \frac{0.018}{0.01}}{\ln \frac{0.02}{0.01}} \quad \therefore \frac{T_6 - 500}{100 - 500} = 0.848 \quad \therefore T_3 = 160.8^\circ\text{C}$$

The result is shown in Fig. P. 2.20(b).

Problem 2.21: A hollow spherical form is used to determine the conductivity of materials. The inner diameter is 20 cm and the outer diameter is 50 cm. A 30 W heater is placed inside and under steady conditions, the temperatures at 15 and 20 cm radii were found to be 80 and 60°C. Determine the thermal conductivity of the material. Also find the outside temperature. If the surrounding is at 30°C, determine the convection heat transfer coefficient over the surface. Plot the temperature along the radius.

The data are presented in Fig. P. 2.21(a).

Solution: Under steady conduction, the heat input by the heater has to pass through this layer between $r = 0.15$ m and 0.2 m

$$Q = \frac{\Delta T}{\frac{1}{4\pi k} \left(\frac{1}{r_1} - \frac{1}{r_2} \right)} = \frac{80 - 60}{\frac{1}{4 \times \pi \times k} \left(\frac{1}{0.15} - \frac{1}{0.20} \right)} = 30$$

$$\frac{20 \times \pi \times k \times 4}{\frac{1}{0.15} - \frac{1}{0.20}} = 30 \quad \therefore k = 0.199 \text{ W/mK}$$

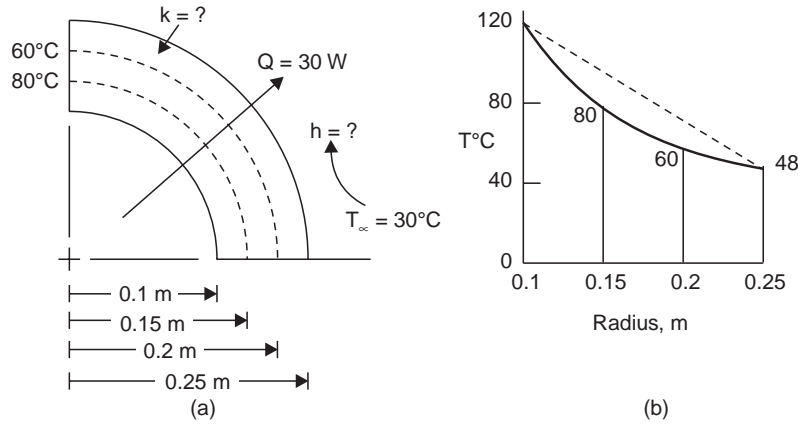


Fig. P. 2.21. Problem model.

To find the inside surface temperatures: Using the known temperature at 0.2 m

$$Q = \frac{T_i - 60}{\frac{1}{4\pi \times 0.199} \left[\frac{1}{0.1} - \frac{1}{0.2} \right]} = 30 \quad \therefore T_i = 120^\circ\text{C}$$

For the outer surface Temperature

$$Q = \frac{120 - T_o}{\frac{1}{4\pi \times 0.199} \left[\frac{1}{0.1} - \frac{1}{0.25} \right]} = 30 \quad \therefore T_o = 48^\circ\text{C}$$

For the convection coefficient: $h \times 4\pi r_o^2 (48 - 30) = 30$

$$r_o = 0.25 \quad \therefore h = 2.12 \text{ W/m}^2\text{K}$$

check $Q = \frac{60 - 48}{\frac{1}{4\pi \times 0.199} \left[\frac{1}{0.2} - \frac{1}{0.25} \right]} = 30 \text{ W checks.}$

The temperature plot is shown in Fig. P.2.21(b). The slope is higher at the inside surface and lower at the outside surface. Why?

Problem 2.22: A spherical container holding a cryogenic fluid at -140°C and having an outer diameter of 0.4 m is insulated with three layers each of 50 mm thick insulations of $k_1 = 0.02$, $k_2 = 0.06$ and $k_3 = 0.16 \text{ W/mK}$ (starting from inside). The outside is exposed to air at 30°C with $h = 15 \text{ W/m}^2\text{K}$. Determine the heat gain and the various surface temperatures.

The data available are shown in Fig. P.2.22.

Solution: Heat flow = $\frac{\text{Temp. drop}}{\text{Thermal resistance}}$

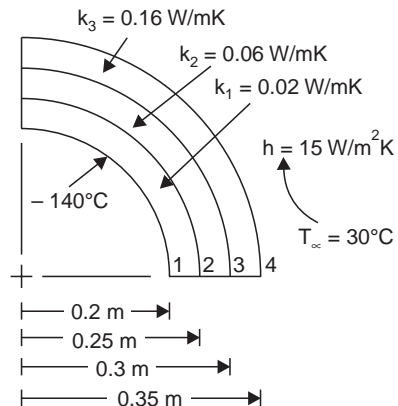


Fig. P. 2.22. Problem model.

The resistance consist of convection resistance at the surface and conduction resistances of three layers

$$\text{These are: 1st layer} = \frac{1}{4\pi \times 0.02} \left(\frac{1}{0.2} - \frac{1}{0.25} \right) = 3.979^\circ\text{C/W}$$

$$\text{2nd layer} = \frac{1}{4\pi \times 0.06} \left(\frac{1}{0.25} - \frac{1}{0.3} \right) = 0.884^\circ\text{C/W}$$

$$\text{3rd layer} = \frac{1}{4\pi \times 0.16} \left(\frac{1}{0.3} - \frac{1}{0.35} \right) = 0.237^\circ\text{C/W}$$

$$\text{convection} = \frac{1}{4\pi \times 0.35^2 \times 15} = 0.043^\circ\text{C/W}$$

$$\text{Total resistance} = 5.1432^\circ\text{C/W}$$

$$Q = \frac{30 - (-140)}{R} = \frac{170}{5.143} = 33 \text{ W (33.053)}$$

To find the interface temperatures

$$\text{1st layer} = \frac{T_2 - (-140)}{\frac{1}{4\pi \times 0.02} \left(\frac{1}{0.2} - \frac{1}{0.25} \right)} = 33.053 \quad T_2 = -8.5^\circ\text{C}$$

$$\text{2nd layer} = \frac{T_3 - T_2}{\frac{1}{4\pi \times 0.06} \left(\frac{1}{0.25} - \frac{1}{0.3} \right)} = 33.053 \quad T_3 = 20.7^\circ\text{C}$$

$$\text{3rd layer} = \frac{T_4 - T_3}{\frac{1}{4\pi \times 0.16} \left(\frac{1}{0.3} - \frac{1}{0.35} \right)} = 33.053 \quad T_4 = 28.53^\circ\text{C}$$

Check: $Q = 15 \times 4\pi \times 0.35^2 (30 - 28.53) = 33.94 \text{ W}$ (using outside convection)

Problem 2.23: A spherical vessel of outside diameter 0.6 m is insulated with a layer of thickness 0.16 m. The inside surface is at -190°C . The outside is at 20°C . Determine the temperatures at 4 cm intervals and plot to scale.

The data is shown in Fig. P. 2.23. A quarter section is shown due to symmetry.

Solution: Using equation 2.25

$$\frac{T_1 - T}{T_1 - T_2} = \frac{\frac{1}{r_1} - \frac{1}{r}}{\frac{1}{r_1} - \frac{1}{r_2}}$$

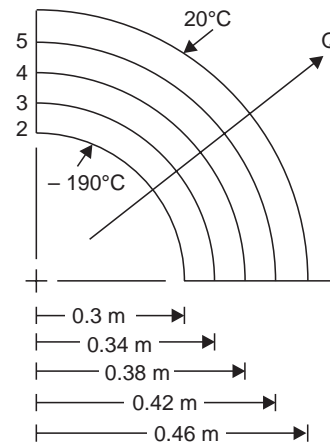


Fig. P. 2.23. (a) Problem model.

$\therefore T$ at 0.34 radius, i.e. T_3

$$\begin{aligned} \frac{T_1 - T_3}{T_1 - T_2} &= \frac{-190 - T_3}{-190 - 20} \\ &= \frac{-190 - T_3}{-210} = \frac{\frac{1}{0.3} - \frac{1}{0.34}}{\frac{1}{0.3} - \frac{1}{0.46}} \end{aligned}$$

$\therefore T_3 = -118.9^\circ\text{C}$

$$\begin{aligned} \frac{T_1 - T_4}{T_1 - T_2} &= \frac{-190 - T_4}{-190 - 20} \\ &= \frac{-190 - T_4}{-210} = \frac{\frac{1}{0.3} - \frac{1}{0.38}}{\frac{1}{0.3} - \frac{1}{0.46}} \end{aligned}$$

$\therefore T_4 = -62.89^\circ\text{C}$

$$\frac{T_1 - T_5}{T_1 - T_2} = \frac{-190 - T_4}{-190 - 20} = \frac{-190 - T_4}{-210} = \frac{\frac{1}{0.3} - \frac{1}{0.42}}{\frac{1}{0.3} - \frac{1}{0.46}}$$

$\therefore T_5 = -17.5^\circ\text{C}$

The plot is shown in Fig. P. 2.23(b).

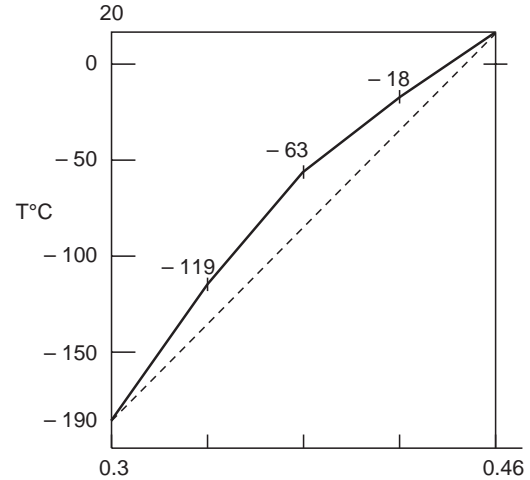


Fig. P. 2.23. (b) Radial temperature variation-sphere

Problem 2.24: A spherical vessel of 1 m outer dia contains hot fluid at 240°C investigate the effect of adding 5 cm layers of insulation with $k = 0.26 \text{ W/mK}$. The outside is exposed to air at 30°C with a convection coefficient of $18 \text{ W/m}^2\text{K}$ (including radiation). Compare the percentage change in heat flow and material volume added (m^3).

Solution: The data is presented in Fig. P. 2.24.

The tabulated quantities are calculated using:

$$\text{Conduction resistance} = \frac{1}{4\pi k} \left(\frac{1}{r_1} - \frac{1}{r_2} \right)$$

$$\text{Convection resistance} = \frac{1}{4\pi r_2^2 h}$$

$$Q = \frac{\Delta T}{R_1 + R_2},$$

$$\text{volume added} = \frac{4}{3} \pi (r_2^3 - r_1^3)$$

$$\begin{aligned} r_1 &= 0.50 \text{ m}, & k &= 0.26 \text{ W/mK}, \\ h &= 18 \text{ W/m}^2\text{K} & \Delta T &= 210^\circ\text{C} \end{aligned}$$

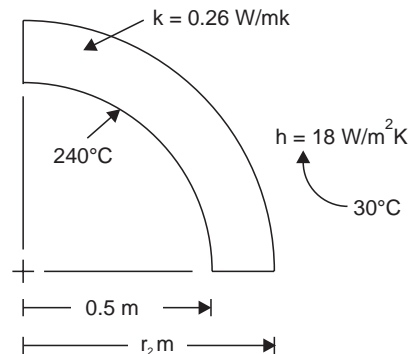


Fig. P. 2.24. Problem model.

The results are tabulated below:

Outer radius (m)	Conduction resistance °C/W	Convection resistance °C/W	Total Resistance °C/W	Heat flow W	Total volume added m ³	ΔQ/ΔV
0.50	—	0.017684	0.017684	11875		
0.55	0.05563	0.014615	0.070265	2989	0.1733	51275
0.60	0.10202	0.012280	0.11430	1837	0.3812	5541
0.65	0.14126	0.010463	0.15172	1384	0.6268	1845
0.70	0.17490	0.009022	0.18392	1142	0.9132	845
0.75	0.20405	0.007860	0.21191	991	1.2435	457
0.80	0.22955	0.006908	0.23646	888	1.6211	273

This type of calculations and comparisons can be done effortlessly if computers are used. The results can be also graphically presented.

The values of ΔQ/ΔV provides a good guidance for selection of material thickness. This ratio can also be converted to return/investment ratio if costs of energy and material are known.

Problem 2.25: A spherical electronic device of 10 mm dia generates 1 W. It is exposed to air at 20°C with a convection coefficient of 20 W/m²K. Find the surface temperature. The heat transfer consultant advices to enclose it in a glass like material of k = 1.4 W/mK, to a thickness of 5 mm all around to reduce the temperature. Investigate the problem and also find the thickness to obtain 50°C surface temperature.

Solution. Case 1: Bare device:

The available information is presented in Fig. P. 2.25(a)

$$Q = 1 \quad Q = \frac{\Delta T}{R} = \frac{T_s - 20}{\frac{1}{4\pi \times 0.005^2 \times 20}} = 1$$

$$\therefore T_s = 179.15^\circ\text{C}$$

Note: Usual method to reduce temperature is to increase *h* or increase surface area.

Case 2: Enclosed in glass like material (Fig. P.2.25(b)).

$$Q = 1 = \frac{\Delta T}{\frac{1}{4\pi r_2^2 h} + \frac{1}{4\pi k} \left(\frac{1}{r_1} - \frac{1}{r_2} \right)}$$

$$\Delta T = \left\{ \frac{1}{4\pi r_2^2 h} + \frac{1}{4\pi k} \left(\frac{1}{r_1} - \frac{1}{r_2} \right) \right\} \times Q$$

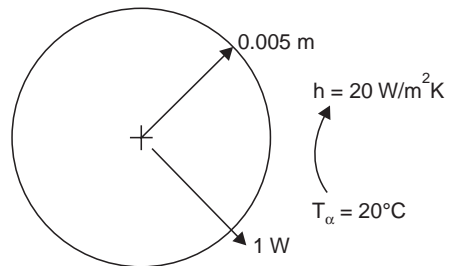


Fig. P. 2.25. (a)

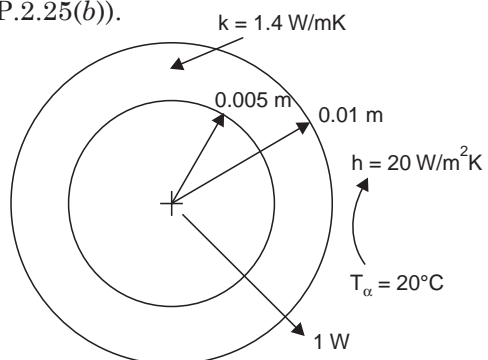


Fig. P. 2.25. (b)

$$= \left\{ \frac{1}{4\pi \times 0.01^2 \times 20} + \frac{1}{4\pi \times 1.4} \left(\frac{1}{0.05} - \frac{1}{0.1} \right) \right\} \times 1 = 40.36$$

$\therefore T_s = (20 + 40.36) = 60.36^\circ\text{C}$. The temperature is reduced considerably.

Case 3: The problem reduces to finding r_2 such that $\Delta T = 30^\circ\text{C}$

$$\Delta T = 30 = -\frac{1}{4\pi r_2^2 h} + \frac{1}{4\pi k} \left(\frac{1}{0.005} - \frac{1}{r_2} \right) \text{ as } Q = 1$$

$$307 = \frac{1}{20r_2^2} + \frac{1}{1.4} \times \frac{1}{0.005} - \frac{1}{1.4r_2}$$

$$\frac{1}{20r_2^2} - \frac{1}{1.4r_2} - 234.14 = 0$$

this can be solved exactly or by trial: $r_2 = 0.01315$ or a thickness of 8.15 mm. Such a reduction will go on up to $r_2 = \frac{2k}{h} = \frac{2.8}{20} = 0.14 \text{ m}$ or 140 mm and the temperature corresponding to this is 31.2°C . The learner can check this value.

Problem 2.26: The surface of a spherical container with 0.4 m outer diameter is at -195°C . Two layers of insulation each of 2.5 cm thickness is added. The thermal conductivities of the materials are 0.004 and 0.03 W/mK. The contact resistances are each $5 \times 10^{-4} \text{ m}^2 \text{ }^\circ\text{C/W}$. The outside is exposed to air at 30°C with a convection coefficient of $16 \text{ W/m}^2\text{K}$. Determine the heat gain and the temperatures at various surfaces and also the drops due to contact resistance.

The data are presented in Fig. P.2.26. A quarter section is shown due to symmetry.

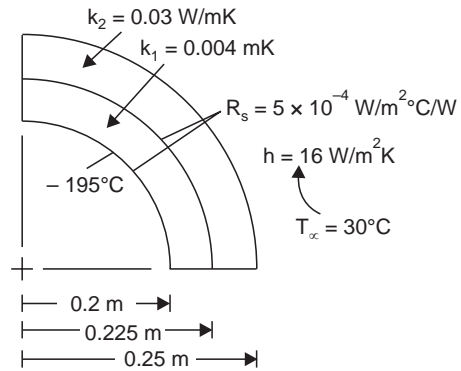


Fig. P. 2.26. Problem model.

$$\text{Solution: Heat flow} = \frac{\text{Temp. drop}}{\text{Total thermal resistance}}$$

The resistances are:

1. Contact resistance (to be calculated for the area)

$$R_1 = \frac{5 \times 10^{-4}}{4\pi r_1^2} = \frac{5 \times 10^{-4}}{4\pi \times 0.2^2} \text{ }^\circ\text{C/W} = 9.95 \times 10^{-4} \text{ }^\circ\text{C/W}$$

2. Conduction resistance of first layer

$$R_2 = \frac{1}{4\pi k} \left(\frac{1}{r_1} - \frac{1}{r_2} \right) = \frac{1}{4\pi \times 0.004} \left(\frac{1}{0.2} - \frac{1}{0.225} \right) = 11.05 \text{ }^\circ\text{C/W}$$

3. Contact resistance $= R_3 = \frac{5 \times 10^{-4}}{4\pi \times 0.225^2} = 7.86 \times 10^{-4} \text{ } ^\circ\text{C/W}$

4. Conduction resistance of second layer $= R_4$

$$= \frac{1}{4\pi \times 0.03} \left(\frac{1}{0.225} - \frac{1}{0.25} \right) = 1.179^\circ\text{C/W}$$

5. Convection resistance $= R_5 = \frac{1}{4\pi r_0^2 h} = \frac{1}{4\pi \times 0.25^2 \times 16} = 0.0796^\circ\text{C/W}$

Total resistance $= 12.3127^\circ\text{C/W}$

$$Q = \frac{\Delta T}{R} = \frac{30 - (-195)}{12.3127} = 18.27 \text{ W}$$

To find temperatures:

Drop in the first contact $= Q.R_1 = 0.0182^\circ\text{C} \quad \therefore T_1 = -194.98^\circ\text{C}$

Drop in the first layer $= Q.R_2 = 201.97^\circ\text{C} \quad \therefore T_2 = 6.99^\circ\text{C}$

Drop in the contact $= Q.R_3 = 0.0144^\circ\text{C} \quad \therefore T_3 = 7.00^\circ\text{C}$

Drop in the second layer $= Q.R_4 = 21.55^\circ\text{C} \quad \therefore T_4 = 28.55^\circ\text{C}$

Drop in the convection $= Q.R_5 = 1.46^\circ\text{C} \quad \therefore T_5 = 30.01^\circ\text{C}$

Total $= 225.01^\circ\text{C}$ checks

Note: When thermal resistances are large, the effect of contact resistances become negligible.

Problem 2.27: Two insulating materials A and B in powder form with thermal conductivities of 0.004 and 0.03 W/mK were purchased for use over a sphere of 0.4 m dia. Material A is to form the first layer of a thickness of 4 cm and B is to form the next layer to 5 cm thickness. During the installation, by mistake material B was applied first using up all the material and material A was applied over it. Investigate whether the thermal resistance will change.

The original configuration is shown in Fig. P.2.27(a).

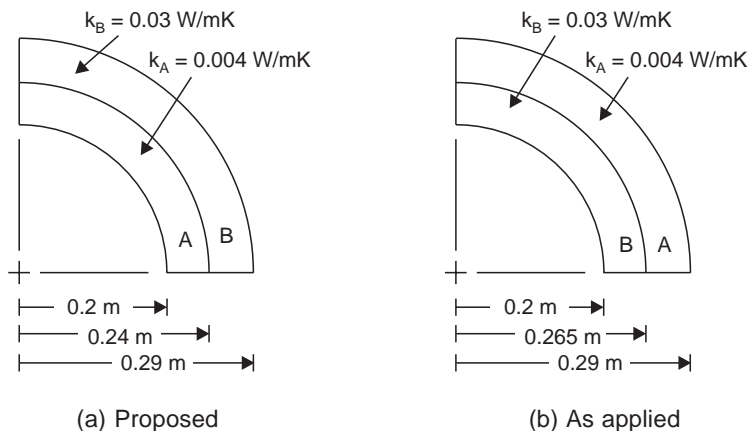


Fig. P. 2.27. (a), (b) Problem model.

Solution: When the materials are interchanged, there is a change in the radius:

$$\text{Volume of } A = \frac{4\pi}{3} (0.24^3 - 0.2^3) = 0.0243955 \text{ m}^3$$

$$\text{Volume of } B = \frac{4\pi}{3} (0.29^3 - 0.24^3) = 0.044255 \text{ m}^3$$

the new radius is found by $0.044255 = \frac{4}{3} \pi (r_2^3 - 0.2^3) \therefore r_2 = 0.2648 \text{ m}$

$$\begin{aligned} \text{Case 1} \quad \text{Resistance} &= \frac{1}{4\pi \times 0.004} \left[\frac{1}{0.2} - \frac{1}{0.24} \right] + \frac{1}{4\pi \times 0.08} \left[\frac{1}{0.24} - \frac{1}{0.29} \right] \\ &= 16.57 + 1.91 = \mathbf{18.48^\circ\text{C/W}} \end{aligned}$$

$$\begin{aligned} \text{Case 2} \quad \text{Resistance} &= \frac{1}{4\pi \times 0.03} \left[\frac{1}{0.2} - \frac{1}{0.2648} \right] + \frac{1}{4\pi \times 0.004} \left[\frac{1}{0.2648} - \frac{1}{0.29} \right] \\ &= 3.25 + 6.53 = \mathbf{9.78^\circ\text{C/W}} \end{aligned}$$

Heat flow will almost double.

Problem 2.28: The thermal conductivities of some materials at 127°C and 527°C are tabulated. Assuming linear variation of thermal conductivity with temperature work out the values of k_o and β , a constant for the material. $k = k_o (1 + \beta T)$ is assumed with T in $^\circ\text{C}$.

Solution:

Material	k at 127°C/W/mK	k at $527^\circ\text{C}, \text{W/mK}$
Aluminium	240.0	218.0
Chromium	90.9	71.3
Copper	393.0	366.0
Carbon steel	56.7	39.2
Cr. Steel	42.0	34.5
Stainless Steel	16.6	22.6
Uranium	29.6	38.8
Carbon	1.89	2.37

The values are worked out using (taking 0°C as base)

$$k_o = k_{127} - \frac{127}{400} (k_{527} - k_{127})$$

$$\beta = \frac{1}{400} \cdot \frac{1}{k_o} (k_{527} - k_{127})$$

For Aluminium: $k_o = 240 - \frac{127}{400} (218 - 240) = \mathbf{246.985 \text{ W/mK}}$

$$\beta = \frac{1}{400} \times \frac{1}{246.985} (218 - 240) = -\mathbf{2.227 \times 10^{-4}}$$

The values of k_o and β are shown in the tabulation.

Material	$k_o, W/mK$	$\beta \times 10^4 (1/K)$
Aluminium	246.985	- 2.227
Cromium	97.123	- 5.045
Copper	401.5725	- 1.681
Carbon steel	62.256	- 7.027
Cr. Steel	44.380	- 4.225
Stainless Steel	14.695	+ 10.208
Uranium	26.679	+ 8.621
Carbon	1.7376	+ 6.906

Check. For Aluminium $k_{527} = 246.985 (1 - 2.227 \times 10^{-4} \times 527)$
 $= 217.998$ or 218 checks

For Uranium $k_{527} = 26.679 (1 + 8.621 \times 10^{-4} \times 527)$
 $= 38.799998$ or 38.8 checks.

Problem 2.29: The values of thermal conductivities of some insulating materials at 300°C 100°C are tabulated. Determine the values of k_o and β in the equation $k = k_o (1 + \beta T)$ for the variation of thermal conductivity. Where k is the thermal conductivity at T°C and k_o is the thermal conductivity at 0°C and β , is a material constant.

Solution:

Material	k at 100°C, W/mK	k at 300°C, W/mK
Fire clay brick	0.76	0.895
Slag brick	0.68	0.77
Red brick	0.56	0.66
Diatomaceous earth brick	0.138	0.176
Sovelite	0.092	0.12
85% Magnesia	0.08	0.101
Slag wool	0.07	0.101
Mineral wool	0.042	0.070

The value of k_o is obtained using the given data. The results are shown in the tabulation below.

$$k_o = k_{100} - \left[\frac{k_{300} - k_{100}}{300 - 100} \right] 100$$

$$\beta = \frac{1}{200} - \frac{1}{k_o} (k_{300} - k_{100})$$

For example: For fire clay:

$$k_o = 0.76 - \left[\frac{0.895 - 0.76}{200} \right] \times 100 = 0.6925$$

$$\beta = 9.747 \times 10^{-4}.$$

Material	$k_o, W/mK$	$\beta \times 10^4 (1/K)$
Fire clay brick	0.6925	9.747
Slag brick	0.635	7.087
Red brick	0.51	9.804
Diatomaceous earth brick	0.119	15.966
Sovelite	0.078	17.959
85% Magnesia	0.0695	15.108
Slag wool	0.0545	28.440
Mineral wool	0.028	50.000

Check: 85% Magnesia: $k_{300} = 0.0695 (1 + 15.108 \times 10^{-4} \times 300) = 0.101$.

Problem 2.30: A furnace wall insulation is of fireclay brick with thermal conductivity $k = 0.6925 (1 + 9.747 \times 10^{-4} T)$ where T is in $^{\circ}C$ and k is in W/mK . The wall is 30 cm thick. The inside surface is at $500^{\circ}C$ while the outside surface is at $70^{\circ}C$. Determine the heat flow and also the temperatures at the mid section and at 7.5 cm from the surfaces. Also find the value of the slopes at the surfaces.

Solution: The results are presented in Fig. P.2.30 considering unit area: Heat flow

$$Q = \frac{\Delta T}{L/k_m}$$

$$k_m = 0.6925 \left[1 + 9.747 \times 10^{-4} \left(\frac{500 + 70}{2} \right) \right]$$

$$= 0.885 \text{ W/mK.}$$

$$Q = \frac{500 - 70}{0.3 / 0.885} = 1268.5 \text{ W/m}^2$$

The slope at the hot side:

$$Q = -kA \frac{dT}{dx}, k \text{ at } 500^{\circ}C$$

$$= 0.6925 [1 + 9.747 \times 10^{-4} \times 500] = 1.03 \text{ W/mK}$$

$$\frac{dT}{dx} = -\frac{Q}{1.03} = \frac{-1268.5}{1.03} = -1231.6^{\circ}C/m$$

Slope at the cold side: $k = 0.6925 (1 + 9.747 \times 10^{-4} \times 70) = 0.74 \text{ W/mK}$

$$\text{Slope } \frac{dT}{dx} = \frac{-1268.5}{0.74} = -1714.2^{\circ}C/m \text{ (steeper)}$$

Temperature at 7.5 cm:

$$Q = \frac{(500 - T_3)}{0.075} \times k_m = 1268.5 \text{ W}$$

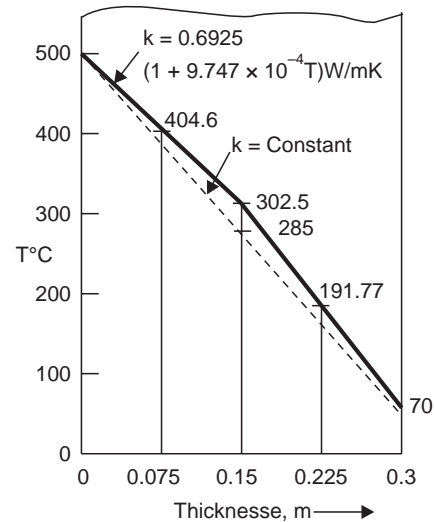


Fig. P. 2.30. Temperature variation in wall

$$= \frac{(500 - T_3) \times 0.6925 \left[1 + 9.747 \times 10^{-4} \frac{500 + T_3}{2} \right]}{0.075} = 1268.5$$

$$0.6925 (500 - T_3) \left\{ 1 + 9.747 \times 10^{-4} \left(\frac{500 + T_3}{2} \right) \right\} = 1268.5 \times 0.075$$

$$(500 - T_3) \left\{ 1 + 9.747 \times 10^{-4} \left(\frac{500 + T_3}{2} \right) \right\} = 137.4$$

This can be solved as a quadratic equation or by trial.

Simplifying $2 \times 484.44 - 2T_3 - 9.747 \times 10^{-4} T_3^2 = 0$

$$T_3 = \frac{-2 + \sqrt{(2^2 + 4 \times 2 \times 484.44 \times 9.747 \times 10^{-4})}}{2 \times 9.747 \times 10^{-4}} = 404.64^\circ\text{C}$$

Check
$$Q = \frac{500 - 404.64}{0.075} \times 0.6925 \left\{ 1 + \frac{500 + 404.61}{2} \times 9.747 \times 10^{-4} \right\}$$

$$= 1267.8 \text{ W}$$

Mid plane temp.: (at 15 cm)

$$1268.5 = \left[\frac{500 - T_4}{0.15} \right] \times 0.6925 \left\{ 1 + \left(\frac{500 + T_4}{2} \right) 9.747 \times 10^{-4} \right\}$$

or,

$$\therefore T_4^2 \times 9.747 \times 10^{-4} + 2T_4 - 694.14 = 0$$

$$\therefore T_4 = \frac{-2 + \sqrt{(4 + 4 \times 694.14 \times 9.747 \times 10^{-4})}}{2 \times 9.747 \times 10^{-4}} = 302.48^\circ\text{C}$$

Check
$$Q = \left[\frac{500 - 302.48}{0.15} \right] \times 0.6925 \left\{ 1 + \frac{500 + 302.48}{2} \times 9.747 \times 10^{-4} \right\}$$

$$= 1268.51 \text{ W}$$

Temperature at 22.5 cm plane:

$$1268.5 = \left[\frac{500 - T_5}{0.225} \right] \times 0.6925 \left\{ 1 + \left(\frac{500 + T_5}{2} \right) 9.747 \times 10^{-4} \right\}$$

This reduces to $T_5^2 \times 9.747 \times 10^{-4} + 2T_5 - 419.38 = 0$

$$\therefore T_5 = \frac{-2 + \sqrt{(4 + 4 \times 419.38 \times 9.747 \times 10^{-4})}}{2 \times 9.747 \times 10^{-4}} = 191.77^\circ\text{C}$$

Check
$$Q = \left[\frac{500 - 191.77}{0.225} \right] \times 0.6925 \left\{ 1 + \frac{500 + 191.77}{2} \times 9.747 \times 10^{-4} \right\}$$

$$= 1268.49 \text{ W}$$

slope at the other planes: ($x_3 = 0.075$, $x_4 = 0.15$, $x_5 = 0.225$). Using the temperature calculated, are -1313°C/m , -1414°C/m , -1543.2°C/m . It can be seen that the slopes increase with distance.

Note: The temperature curve is above the st. line. This is because higher the temperature higher the value of k and smaller the gradient for the same heat flow.

Problem 2.31: A steel slab 16 cm thickness, has thermal conductivity $k = 51(1 - 8.6 \times 10^{-4} T)$ where T is in $^{\circ}\text{C}$ and k is the thermal conductivity at $T^{\circ}\text{C}$ in W/mK . The slab surfaces are maintained at 400 and 180°C . Determine the heat flow, the temperatures at 4, 8 and 12 cm distances and also the temperature gradients at these locations.

The given data are presented in Fig. P.2.31.

Solution: Assuming unit area

$$q = \frac{\Delta T}{L} k_m$$

$$k_m = \frac{k_1 + k_2}{2}$$

$$= 51 \left(1 - 8.6 \times 10^{-4} \times \frac{400 + 180}{2} \right)$$

$$= 38.28 \text{ W/mK}$$

$$q = \frac{400 - 180}{0.16} \times 38.28 = 52635 \text{ W/m}^2$$

Temperatures: Plane 3 : 0.04 m

$$q = 52635 = \left[\frac{400 - T_3}{0.04} \right] \cdot 51 \left\{ 1 - 8.6 \times 10^{-4} \left(\frac{400 + T_3}{2} \right) \right\}$$

This reduces to $8.6 \times 10^{-4} T_3^2 - 2T_3 + 579.84 = 0$

$$T_3 = \frac{+2 - \sqrt{(4 - 4 \times 8.6 \times 10^{-4} \times 579.84)}}{2 \times 8.6 \times 10^{-4}} = 339.5^{\circ}\text{C}$$

Check

$$q = \frac{400 - 339.5}{0.04} \times 51 \left\{ 1 - 8.6 \times 10^{-4} \times \frac{400 + 339.5}{2} \right\} = 52609 \text{ W checks.}$$

plane 4 : 0.08 m

$$q = 52635 = \frac{400 - T_4}{0.08} \times 51 \left\{ 1 - 8.6 \times 10^{-4} \frac{400}{2} - 8.6 \times 10^{-4} \frac{T_4}{2} \right\}$$

This reduces to $8.6 \times 10^{-4} T_4^2 - 2T_4 + 497.28 = 0$

$$T_4 = \frac{+2 - \sqrt{(4 - 4 \times 8.6 \times 10^{-4} \times 497.28)}}{2 \times 8.6 \times 10^{-4}} = 283.1^{\circ}\text{C}$$

check

$$Q = \frac{400 - 283.1}{0.08} \times 51 \left\{ 1 - 8.6 \times 10^{-4} \times \frac{400 + 283.1}{2} \right\} = 52634 \text{ checks}$$

plane 5 : 0.12 m

$$Q = 52635 = \frac{400 - T_5}{0.12} \cdot 51 \left\{ 1 - 8.6 \times 10^{-4} \times \frac{400}{2} - 8.6 \times 10^{-4} \frac{T_5}{2} \right\}$$

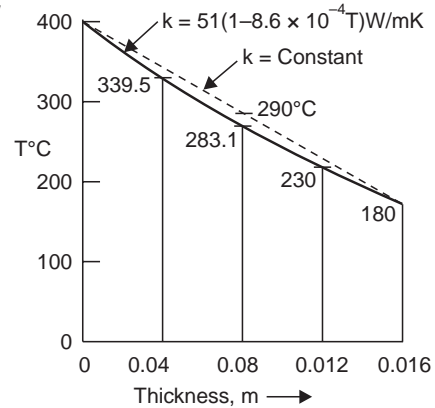


Fig. P. 2.31. Problem model.

This reduces to $8.6 \times 10^{-4} T_5^2 - 2T_5 + 414.7 = 0$

$$T_5 = \frac{+2 - \sqrt{(4 - 4 \times 8.6 \times 10^{-4} \times 414.7)}}{2 \times 8.6 \times 10^{-4}} = 230.12^\circ\text{C}$$

Slopes are found using $\frac{dT}{dx} = -\frac{Q}{k}$ as $A = 1$

$$k_1 = 33.456, k_3 = 36.1, k_4 = 38.6, k_5 = 40.9, k_2 = 43.1$$

$$\text{slopes} = -1573.3^\circ\text{C/m}, -1458^\circ\text{C/m}, -1364.2^\circ\text{C/m}, -1286^\circ\text{C/m} - 1221^\circ\text{C/m}$$

The slope is higher at higher temperature levels.

Problem 2.32: A steam pipe of 20 cm OD carrying steam at 260°C is insulated with a material having thermal conductivity $k = 0.07(1 + 15 \times 10^{-4} T)$, where k is the thermal conductivity in W/mK at temperature $T^\circ\text{C}$. The outer surface is at 60°C . Determine the heat flow and also the temperature at mid thickness. The insulation thickness is 6 cm. Also find the slopes.

The data are presented in Fig. P. 2.32.

Solution: $Q = \frac{\Delta T}{\ln \frac{r_2}{r_1} / 2\pi k_m l}$ let $l = 1$

$$k_m = 0.07 \left\{ 1 + 15 \times 10^{-4} \left(\frac{260 + 60}{2} \right) \right\} = 0.0868$$

$$Q = \frac{260 - 60}{\ln \frac{0.16}{0.1} / 2\pi \times 0.0868} = 232.08 \text{ W/m}$$

To find mid plane Temperatures:

$$232.08 = \frac{260 - T}{\ln \frac{0.13}{0.1} / 2\pi \times 0.07 \left[1 + 15 \times 10^{-4} \left(\frac{260 + T}{2} \right) \right]}$$

$$138.44 = (260 - T) \left(1 + 15 \times 10^{-4} \frac{260}{2} + 15 \times 10^{-4} \frac{T}{2} \right)$$

$$= 260 + \frac{260^2 \times 15 \times 10^{-4}}{2} + 260 \times 15 \times 10^{-4} \frac{T}{2} - T$$

$$- 15 \times 10^{-4} \times \frac{260}{2} T - 15 \times 10^{-4} \frac{T^2}{2}$$

or $15 \times 10^{-4} T^2 + 2T - 344.52 = 0$

$$T = \frac{-2 + \sqrt{(4 + 4 \times 15 \times 10^{-4} \times 344.52)}}{2 \times 15 \times 10^{-4}} = 154.38^\circ\text{C}$$

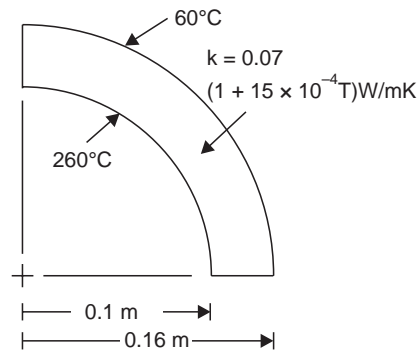


Fig. P. 2.32. Problem model.

check
$$Q = \left[\frac{260 - 154.38}{\ln \frac{0.13}{0.1}} \right] \times 2\pi \times 0.07 \left(1 + 15 \times 10^{-4} \times \frac{260 - 154.38}{2} \right)$$

$= 232.08 \text{ W, checks}$

slopes
$$\frac{dT}{dx} = -\frac{Q}{kA}$$

Inside surface
$$k = 0.07 (1 + 15 \times 10^{-4} \times 260) = 0.0973 \text{ W/mK}$$

$A = 2\pi r_1 = 2\pi \times 0.1$

$\therefore \left. \frac{dT}{dx} \right|_{\text{inside}} = \frac{-232.08}{0.0973 \times 2\pi \times 0.1} = -3796.2^\circ\text{C/m}$

mid plane :
$$k = 0.07 (1 + 15 \times 10^{-4} \times 154.38) = 0.08621 \text{ W/mK}$$

$\therefore \frac{dT}{dx} = \frac{-232.08}{0.08621 \times 2\pi \times 0.13} = -3295.8^\circ\text{C/m}$

outer surface:
$$k = 0.07 (1 + 15 \times 10^{-4} \times 60) = 0.0763 \text{ W/mK}$$

$\therefore \frac{dT}{dx} = \frac{-232.08}{0.0763 \times 2\pi \times 0.16} = -3025.6^\circ\text{C/m.}$

Problem 2.33: A spherical container with OD 0.4 m and surface temperature of -180°C is insulated by 8 cm thick layer of material with thermal conductivity $k = 0.028 (1 + 5 \times 10^{-3} T) \text{ W/mK}$ where T is in $^\circ\text{C}$. If the outside surface is at 15°C , determine the heat flow in.

The data given are presented in Fig. P.2.33.

Solution:
$$Q = \frac{\Delta T}{\frac{1}{4\pi k_m} \left(\frac{1}{r_1} - \frac{1}{r_2} \right)}$$

$$k_m = 0.028 \left[1 + 5 \times 10^{-3} \left(\frac{-180 + 15}{2} \right) \right]$$

$$= 0.01645 \text{ W/mK}$$

$$Q = \frac{15 - (-180)}{\frac{1}{4\pi \times 0.01645} \left(\frac{1}{0.2} - \frac{1}{0.28} \right)} = 28.22 \text{ W}$$

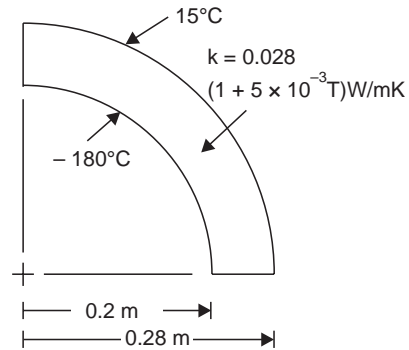


Fig. P. 2.33. Problem model.

A constant value of thermal conductivity will yield values removed by as much as 70% from this value, adopting the upper value of 0.028 and 83% if the lower value at -190°C is used. Hence the necessity to consider the variation in thermal conductivity whenever possible.

Problem 2.34: A wall of 20 cm thickness put up as insulation in an oven has its thermal conductivity given by $k = 0.5 (1 + 10^{-3} T)$ where k is the thermal conductivity at $T^\circ\text{C}$ in W/mK . One side of the slab is exposed to convection at 300°C with $h = 40 \text{ W/m}^2\text{K}$ and the other side is exposed to air at 30°C with $h = 20 \text{ W/m}^2\text{K}$. Determine the heat flow through the wall per unit area.

The data given are presented in Fig. P.2.34.

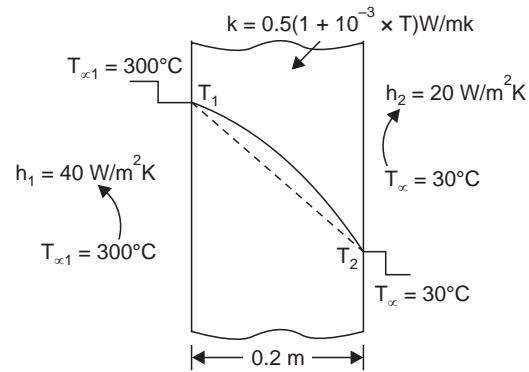


Fig. P. 2.34. Problem model.

Solution:

$$Q = \frac{\Delta T}{\frac{1}{h_1} + \frac{L}{k_m} + \frac{1}{h_2}}$$

$k_m = 0.5 \{1 + 10^{-3} (T_1 + T_2)/2\}$ as T_1 and T_2 are unknown, a trial solution may be attempted. The mean temperature is taken as $(330/2)$, and $k_m = 0.5825 \text{ W/mK}$.

The heat flow corresponding to this value is

$$Q = \frac{300 - 30}{\frac{1}{40} + \frac{0.2}{0.5825} + \frac{1}{20}} = 645 \text{ W.}$$

T_1 and T_2 can now be estimated using $Q = h_1 (300 - T_1)$ and $Q = h_2 (T_2 - 30)$. This gives $T_1 = 283.9^\circ\text{C}$ and $T_2 = 62.25^\circ\text{C}$ now estimating $k_m = 0.5 \{1 + 10^{-3} (283.9 + 62.25)/2\} = 0.5865 \text{ W/mK}$ and substituting this value in the expression for Q , $Q = 649.06$. Using a second trial or may be one more

$$T_1 = 283.8^\circ\text{C} \text{ and } T_2 = 62.4^\circ\text{C} \text{ and } Q = 649 \text{ W}$$

In this case the first guess is very near the true value, but it may not be always so.

For multilayer or composite walls with convection boundary with variable thermal conductivity, direct solution for heat flow will not be possible. Trial solution becomes necessary. This is not difficult with the use of calculators and is very simple with the use of computers.

Problem 2.35: The sectional area of cone like solid varies as per the law, $A(m^2) = \frac{\pi \times 0.5^2}{4} x$ (m^2). The solid between sections $x_1 = 0.025$ and $x_2 = 0.125$ conducts heat along the x direction having its outside surface well insulated. The surface at x_1 is maintained at 600°C while the surface at x_2 is at 400°C . $k = 210 \text{ W/mK}$. Determine the heat flow, the temperatures and temperature gradients along the length and plot the same to scale.

Solution: In the integration of Fourier's equation, the variation of the area should be taken into account. In this case assume

$$A = Cx \text{ where } C = 0.19635 \text{ i.e. } (\pi \times 0.5^2/4)$$

For derivation C can be used in place of the numerical value

$$Q = -kA \frac{dT}{dx} = -k \cdot Cx \frac{dT}{dx}$$

$$Q \cdot \frac{dx}{x} = -kC \cdot dT$$

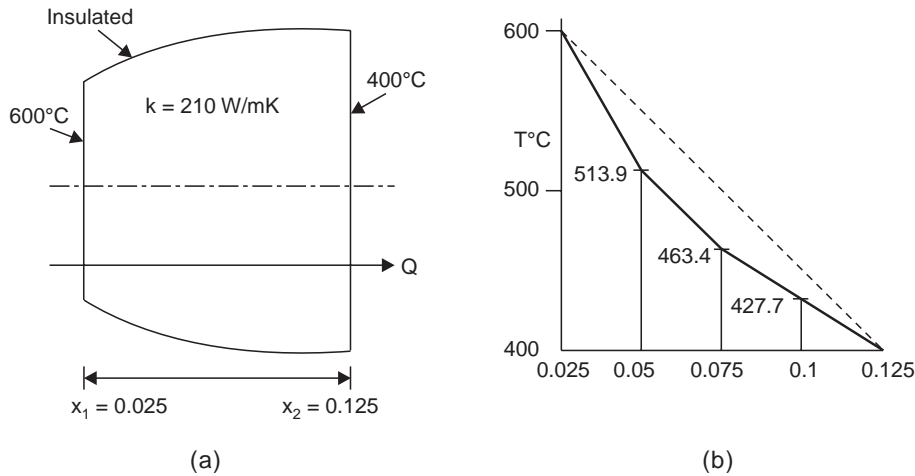


Fig. P.2.35. Problem model.

Integrating and simplifying

$$Q = \frac{kC(T_1 - T_2)}{\ln \frac{x_2}{x_1}} = \frac{210\pi \times 0.5^2}{4} \frac{(600 - 400)}{\ln \frac{0.125}{0.025}} = 5124 \text{ W}$$

$$\left. \frac{dT}{dx} \right|_{x=0.025} = -\frac{Q}{kA} = \frac{-5124 \times 4}{210 \times \pi \times 0.5^2 \times 0.025} = -4970.72^\circ\text{C/m}$$

$$\left. \frac{dT}{dx} \right|_{x=0.125} = \frac{-5124 \times 4}{210 \times \pi \times 0.5^2 \times 0.125} = -994.15^\circ\text{C/m}$$

for other values of x similar calculation is made

$$\left. \frac{dT}{dx} \right|_{x=0.05, 0.075, 0.10} \text{ are: } -2485.36^\circ\text{C/m, } -1656.9^\circ\text{C/m and } -1242.68^\circ\text{C/m}$$

To determine the temperatures, use

$$Q = \frac{kC(T_1 - T_2)}{\ln \frac{x_2}{x_1}}, \text{ at } 0.05, 5124 = \frac{210 \times \pi \times 0.5^2}{4} \times \frac{(600 - T_2)}{\ln \frac{0.05}{0.025}}$$

$$\therefore T_2 = 513.86^\circ\text{C}$$

$$\text{at } 0.075 \quad T_3 = 463.48^\circ\text{C}$$

$$\text{at } 0.10 \quad T_4 = 427.73^\circ\text{C}$$

To check find Q between 0.075 and 0.10

$$Q = \frac{210 \times \pi \times 0.5^2}{4} \left[\frac{463.48 - 427.73}{\ln \left[\frac{0.1}{0.075} \right]} \right] = 5124 \text{ W}$$

The temperature plot is shown in Fig. P.2.35.

Problem 2.36: A truncated cone like solid has its circumference insulated and heat flows along the axis.

The area of section at x is given by $A = \frac{\pi}{4} x^3$ and the faces are at 0.075 m and 0.225 m. The thermal conductivity of the material varies as $k = 0.5 (1 + 5 \times 10^{-3} T)$ W/mK. The surface at $x = 0.075$ m is at 300°C and the surface at $x = 0.225$ m is at 50°C. Determine the heat flow.

The data given are presented in Fig. P.2.36.

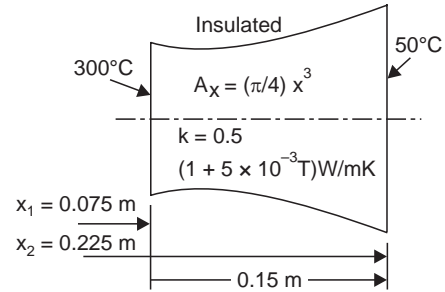


Fig. P. 2.36. Problem model.

Solution:

$$Q = -kA \frac{dT}{dx}$$

$$= -0.5 (1 + 5 \times 10^{-3} T) \left(\frac{\pi}{4} x^3 \right) \frac{dT}{dx}$$

separating variables

$$Q \times \frac{dx}{x^3} = \frac{-0.5 \times \pi}{4} (1 + 5 \times 10^{-3} T) dT$$

Integrating between the limits

$$Q \left[-\frac{1}{3x^2} \right]_{0.075}^{0.225} = -\frac{\pi}{8} \left[T + \frac{5 \times 10^{-3}}{2} T^2 \right]_{300}^{50}$$

$$Q [52.68] = -\frac{\pi}{8} \left[(50 - 300) + \frac{5 \times 10^{-3}}{2} (50^2 - 300^2) \right] = 184.07$$

\therefore

$$Q = 3.5 \text{ W.}$$

Problem 2.37: The thermal conductivity of a slab varies as $k = k_o (1 + \alpha T^2)$. Determine the heat flow through a slab of thickness L m and surface temperatures T_1 and T_2 .

Solution:

$$Q = -kA \frac{dT}{dx} = -k_o (1 + \alpha T^2) A \frac{dT}{dx}$$

$$\frac{Q}{Ak_o} dx = -(1 + \alpha T^2) dT$$

$$\text{Integrating: } \frac{Q}{Ak_o} (x_2 - x_1) = \left[-T - \frac{\alpha T^3}{3} \right]_{T_1}^{T_2} = (T_1 - T_2) + \frac{\alpha}{3} (T_1^3 + T_2^3)$$

$$Q = \frac{Ak_o}{x_2 - x_1} [T_1 - T_2] \left[1 + \frac{\alpha}{3} (T_1^2 + T_1 T_2 + T_2^2) \right] \quad \dots(p1)$$

$$= \frac{Ak_o \left[1 + \frac{\alpha}{3} (T_1^2 + T_1 T_2 + T_2^2) \right]}{L} (T_1 - T_2)$$

The heat flow upto x is the same as full heat flow.

$$\begin{aligned} \frac{Ak_o}{x_2 - x_1} [T_1 - T_2] \left[1 + \frac{\alpha}{3} (T_1^2 + T_1 T_2 + T_2^2) \right] \\ = \frac{Ak_o}{x - x_1} [T_1 - T] \left[\left(1 + \frac{\alpha}{3} \right) (T_1^2 + T_1 T + T^2) \right] \\ \therefore \left[\frac{T_1 - T}{T_1 - T_2} \right] = \frac{\left[1 + \frac{\alpha}{3} (T_1^2 + T_1 T + T^2) \right]}{\left[1 + \frac{\alpha}{3} (T_1^2 + T_1 T_2 + T_2^2) \right]} \times \frac{x - x_1}{x_2 - x_1} \quad \dots(p2) \end{aligned}$$

This equation gives the temperature distribution. Of course T is involved on both sides and the solution has to be by trial.

In the case of copper the conductivity is found to vary roughly as $k = 408.21 (1 - 3.75 \times 10^{-7} T^2)$. Determine the heat flow through a plate of 55 cm thickness when faces are held at 100°C and 50°C. Using the equation P1 of this problem, substituting the values with $A = 1 \text{ m}^2$.

$$\begin{aligned} Q &= \frac{408.21}{0.55} [100 - 50] \left[1 - (375/3) \times 10^{-7} (100^2 + 100 \times 50 + 50^2) \right] \\ &= \mathbf{37029 \text{ W/m}^2} \text{ (Try to find mid plane temp.)} \end{aligned}$$

Problem 2.38: A trough which is in the form of one half of a hollow cylinder of thickness t has heat flow only in the circumferential direction. Formulate the general differential equation.

Solve the same for 180° with the temp. $T = T_1$ at 0° and $T = T_2$ at 180°, for steady conditions and without heat generation

The configuration is shown in Fig. P.2.38. Assume unit depth $\perp r$ to the paper.

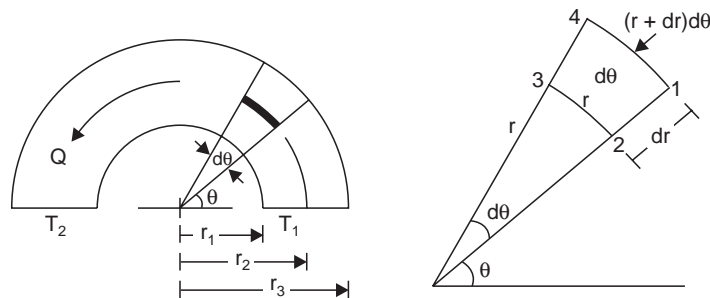


Fig. P. 2.38. Problem model.

Solution: Considering the elemental volume at radius r and thickness dr , and taking heat flow in the θ direction (circumferential)

$$\left[\begin{array}{l} \text{Heat conducted} \\ \text{through barriers} \end{array} + \begin{array}{l} \text{heat generated} \\ \text{in the volume} \end{array} \right] \text{ time interval} = \text{heat stored in the volume during the time}$$

Heat is conducted only through face 1-2 and 3-4 ($r d\theta$ is the distance between planes 1-2 and 3-4)

$$\text{Heat conducted through 1-2} = -k dr \times \frac{1}{r} \frac{\partial T}{\partial \theta} \cdot \partial \tau = \frac{-k dr}{r} \cdot \frac{\partial T}{\partial \theta} \cdot \partial \tau$$

Heat conducted through 3-4

= heat conducted through 1-2 + rate of change of heat conduction with distance
× distance

$$= \frac{-k dr}{r} \cdot \frac{\partial T}{\partial \theta} \cdot \partial \tau + \frac{\partial}{\partial (r \partial \theta)} \left[-k \frac{\partial r}{r} \cdot \frac{\partial T}{\partial \theta} \cdot \partial \tau \right] r d\theta$$

Taking the difference, the net heat conducted is

$$\frac{1}{r} \frac{\partial}{\partial \theta} \left(\frac{k}{r} \frac{\partial T}{\partial \theta} \cdot \partial \tau \partial r \right) r d\theta$$

heat generated = $q r d\theta dr \partial \tau$

heat stored = $\rho \cdot c r d\theta 1 dr dT$. Summing up

$$\frac{1}{r^2} \frac{\partial^2 T}{\partial \theta^2} + \frac{q}{k} = \frac{1}{\alpha} \frac{\partial T}{\partial \tau}$$

which is also obtainable from the general equation in cylindrical coordinates.

For steady conduction without heat generation, the equation reduces to $\frac{d^2 T}{d\theta^2} = 0$. The

general solution is $T = C_1 \theta + C_2$

$$\text{at } \theta = 0, \quad T = T_1 \quad \therefore C_2 = T_1$$

$$\text{at } \theta = \pi, \quad T = T_2 \quad T_2 = \pi \cdot C_1 + T_1 \quad \therefore C_1 = \frac{T_2 - T_1}{\pi}$$

\therefore Substituting in the general solution.

$$T = \frac{T_2 - T_1}{\pi} \theta + T_1 \quad \text{or} \quad \frac{T - T_1}{T_2 - T_1} = \frac{\theta}{\pi}$$

Heat flow can be obtained as

$$Q = \frac{k}{\pi} \ln \frac{r_2}{r_1} \cdot [T_1 - T_2] \times \text{depth.}$$

Problem 2.39: The temperature of air outside is found to vary at a location as per the relation

$$T^\circ\text{C} = 25 + 20 \sin \left(\frac{2\pi}{12} t \right), \text{ (angle in radians.) where } t \text{ is time in hours starting from 9 am as zero}$$

time and going up to 3 pm, the time t having value of 6 at this point. An air conditioned space is protected from this atmosphere by a wall having a total resistance $2.8449 \text{ m}^2\text{K/W}$. The inside is maintained at 20°C . Considering the thermal capacity of the wall as low, determine the maximum, minimum and average load on the AC. The total barrier area is 400 m^2 .

Solution: The outside temperature is tabulated using the given equation $T^\circ\text{C}$

$$= 25 + 20 \sin \left(\frac{2\pi}{12} t \right) \text{ (the angle should be in radians)}$$

Time of day	9	10	11	12	1	2	3
t (hrs)	0	1	2	3	4	5	6
T °C	25	35	42.32	45	42.32	35	25

The maximum flux is at 12 noon:

$$Q_{\max} = \frac{(45 - 20) \times 400}{2.8449} = 3515 \text{ W}$$

$$Q_{\min} = \frac{(25 - 20) \times 400}{2.8449} = 703 \text{ W}$$

Average: using arithmetic average of temperatures at middle of each interval

Average temperature = 37.44°C

$$\text{Average flux} = \frac{(37.44 - 20)}{2.8449} \times 400 = 2452 \text{ W}$$

Calculating the average temperature by integration:

The angle $\theta = \left(\frac{2\pi}{12} t\right)$ varies from $0 - \pi$, by letting $\theta = \left(\frac{2\pi}{12} t\right)$ and t taking values from 0-6

$$\text{Average excess over } 25^\circ\text{C} = \frac{20}{\pi} \int_0^\pi \sin \theta \, d\theta = \frac{20}{\pi} \times 2 = \frac{40}{\pi} = 12.732$$

$$\text{Average temperature} = 37.732$$

$$\text{Average flux} = \frac{(37.732 - 20) 400}{2.8449} = 2493.16 \text{ W/m}^2.$$

OBJECTIVE QUESTIONS

Choose the Correct Answer

- 2.1 In a slab under steady conduction if the thermal conductivity increases along the thickness, the temperatures gradient along the direction will become
 (a) Steeper (b) flatter
 (c) will depend upon the heat flow (d) will remain constant.
- 2.2 In steady state heat conduction in the x direction, the sectional area increases along the flow direction. Then the temperature gradient in the x direction will
 (a) Remain constant (b) will become flatter
 (c) will become steeper (d) either b or c depending on the heat flow rate.
- 2.3 In steady state conduction with variable thermal conductivity if the conductivity decreases along the flow direction, then the temperature gradient along the flow direction will become
 (a) steeper (b) flatter
 (c) remain constant (d) either of the three depending on heat flow rate

- 2.4 In steady state conduction with thermal conductivity given by $k = k_o (1 + \beta T)$ where β , is +ve, a slab of given thickness and given temperature drop will conduct
- (a) more heat at lower temperature levels
 - (b) more heat at higher temperature levels
 - (c) will be the same as flow depends on the temperature drop
 - (d) will be the same as flow depends on the thickness only.
- 2.5 Choose the correct statement or statements
- (a) the thermal conductivity of gases decreases with temperature
 - (b) the thermal conductivity of insulating solids increase with temperature
 - (c) The thermal conductivity of good electrical conductors or generally low
 - (d) The thermal conductivity variation is of low percentage in gases as compared to solids.
- Answers to objective questions: (1) b, (2) b, (3) a, (4) b, (5) b.

EXERCISE PROBLEMS

- 2.1 A furnace operating at 900°C is to be insulated. The outside is to be exposed to air at 30°C with $h = 15 \text{ W/m}^2\text{K}$. The convection coefficient on the inside (including radiation) is 85 W/m²K. The maximum space available is 0.25 m. The heat loss should not exceed 300 W/m². Determine the thermal conductivity of the material to be chosen for the insulation.
- 2.2 A composite wall is to be used to insulate a freezer chamber at -35°C. Two insulating materials are to be used with conductivities of 0.04 W/mK and 0.1 W/mK. If the outside surface temperature of the inner layer (0.04 W/mK) should not go below zero and if the exposed surface temperature should not go below (the expected wet bulb temperature) 22°C determine the insulation thicknesses. The heat gain is to be limited to 10 W/m². Also estimate the value of convection coefficient at such a situation. Outside is at 25°C. (0.14 m, 0.22 m, 3.33 W/m²K).
- 2.3 A composite wall consists of 20 mm thick steel plate backed by insulation brick ($k = 0.39 \text{ W/mK}$) of 50 cm thickness and overlaid by mineral wool of 20 cm thickness ($k = 0.05 \text{ W/mK}$) and 70 cm layer of brick of ($k = 0.39 \text{ W/mK}$). The inside is exposed to convection at 650°C with $h = 65 \text{ W/m}^2\text{K}$. The outside is exposed to air at 35°C with a convection coefficient of 15 W/m²K. Determine the heat loss per unit area, interface temperatures and temperature gradients in each materials.
- 2.4 A solar collector receives 880 W/m². Its surface temperature is 60°C. The back side is to be insulated so that back losses are limited to 15%. Insulating material with a thermal conductivity of 0.05 W/mK is available. The atmospheric temperature is 30°C and the convection coefficient on the back side is 5 W/m²K. Determine the insulation thickness.
- 2.5 A composite plate is made up of stainless steel sheet of 25 mm thickness backed by 30 mm carbon steel plate. The thermal conductivities are 19.1 W/mK and 39.2 W/mK. A contact resistance of $5.28 \times 10^{-4} \text{ m}^2\text{C/W}$ exists between the sheets. If the total temperature drop in the composite wall is 18°C, determine the heat flow. If convection on the stainless steel side is from fluid at 160°C with $h = 45 \text{ W/m}^2\text{K}$ find the surface temperatures of the plates. If the outside is exposed to air at 35°C, determine the convection coefficient on the outside.
- 2.6 A membrane type electrical heater of 20,000 W/m² capacity is sandwiched between an insulation of 25 mm thickness with thermal conductivity of 0.029 W/mK and a metal plate with $k = 12.6 \text{ W/mK}$ of thickness 15 mm. The convection coefficient is 150 W/m²K. The surroundings are at 5°C. Determine the surface temperature of the heater and the flow on either side.
- 2.7 A composite wall is made of two layers of 0.3 m and 0.15 m thickness with surfaces held at 600°C and 20°C respectively. If the conductivities are 20 and 50 W/mK, determine the heat conducted. In order to restrict the heat loss to 5 kW/m² another layer of 0.15 m thickness is proposed. Determine the thermal conductivity of the material required (32.22 kW, 1.53 W/mK).

- 2.8 A three layer insulation is proposed for a computer room to be maintained at 20°C . The materials chosen are 10 mm layer finishing material inside with $k = 0.12 \text{ W/mK}$ and a 20 mm layer of weathering material on the outside with $k = 0.25 \text{ W/mK}$. The heat gain is limited to 7 W/m^2 . Determine the conductivity of the material required for the middle layer if the thickness is restricted to 100 mm. The convection coefficient on the inside is $30 \text{ W/m}^2\text{K}$. The outside air is at 39°C with a convection coefficient of $60 \text{ W/m}^2\text{K}$ (Answer: 0.04 W/mK)
- 2.9 Determine the heat flow and interface temperatures for the composite wall section shown in Fig. 2.9.

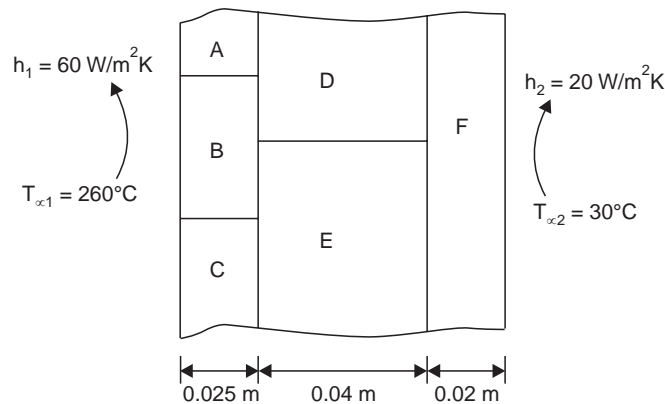


Fig. 2.9

A-1/3 area	$k_A = 0.08 \text{ W/mK}$	B-1/3 area	$k_B = 0.12 \text{ W/mK}$
C-1/3 area	$k_C = 0.21 \text{ W/mK}$	D-40% area	$k_D = 0.6 \text{ W/mK}$
E-60% area	$k_E = 0.82 \text{ W/mK}$	F-Full area	$k_F = 1.3 \text{ W/mK}$

- 2.10 Determine the temperatures at all faces for the arrangement shown in Fig. 2.10.

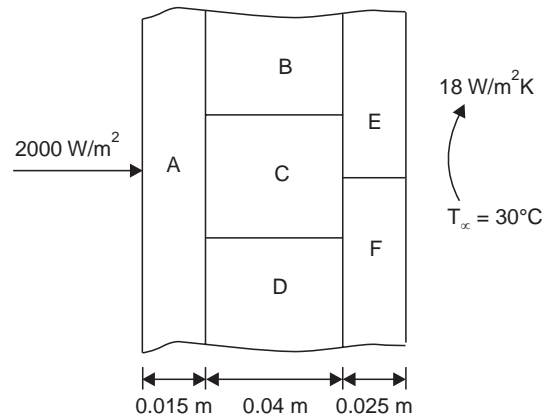


Fig. 2.10

A-full area	$k_A = 0.82 \text{ W/mK}$	B-20% area	$k_B = 0.3 \text{ W/mK}$
C-50% area	$k_C = 0.08 \text{ W/mK}$	D-30% area	$k_D = 0.14 \text{ W/mK}$
E-40% area	$k_E = 1.2 \text{ W/mK}$	F-60% area	$k_F = 2.3 \text{ W/mK}$

- 2.11 A part of a sphere of $ID D_1$ and $OD D_2$ and cut as shown in Fig. 2.11 conducts heat along the direction shown. Derive the general conduction equation and integrate the same for steady conditions without heat generation. Assume that the curved surfaces are insulated.

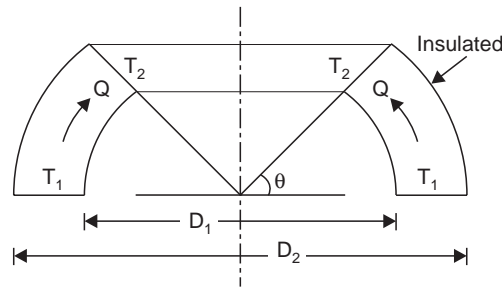


Fig. 2.11

- 2.12 A pipe carrying brine at -8°C passes through a room at 30°C . The outside diameter of the pipe is 15 cm and the convection coefficient has a value of $18 \text{ W/m}^2\text{K}$. Determine the heat gain for 10 m length. In order to reduce the heat gain moulded insulations of 2.5 cm, 4 cm, 6 cm and 8 cm thicknesses are available with conductivities of 0.06 W/mK . Determine the percentage reduction due to each of these. If the cost of heat is Rs. 3/1000 kJ determine in each case the break even cost per m^3 of insulation material if the investment is to be realized in one year of operation. The unit is in operation for 7000 hr/year.
- 2.13 A hot water pipe of outside diameter 2.5 cm and surface temperature 85°C passes from the boiler room to the heater through a room at 20°C . The convective heat transfer coefficient is $15 \text{ W/m}^2\text{K}$. An insulation with conductivity of 0.11 W/mK is recommended. Determine the thickness of insulation to reduce the heat loss by 60% of that of the bare pipe. Also find the surface temperature of the insulation.
- 2.14 An electronic device in the form of cylinder of 5 mm dia generates 25 W/m length. The heat is convected to air at 25°C with a convection coefficient of $10 \text{ W/m}^2\text{K}$. Determine the surface temperature of the device. An insulation of 4 mm thickness with thermal conductivity of 1.4 W/mK is applied over the device and is exposed to the same convective conditions. Determine the surface temperature of the device. If the thermal conductivity of the material chosen is 0.065 W/mK , determine the surface temperature. What will happen if the thickness is increased to 6 mm in the later case.
- 2.15 A hollow cylindrical insulation has an internal diameter of 16 cm thickness of 8 cm. The inner surface is at -10°C while the outer surface is at 35°C . Determine the radius at which the temperature is 0°C .
- 2.16 A pipe carrying steam at 220°C has an internal diameter of 15 cm. The convection coefficient on the inside is $60 \text{ W/m}^2\text{K}$. The pipe wall thickness is 15 mm and the thermal conductivity is 35 W/mK . The outside is exposed to a chemical at 130°C with a convection coefficient of $15 \text{ W/m}^2\text{K}$. Determine the overall heat transfer coefficient, based on (i) inner and (ii) outer area. If the pipe wall is covered with two insulation layers, the first 3 cm thickness with thermal conductivity of 0.12 W/mK and the second 4 cm thickness with a thermal conductivity of 0.35 W/mK and a contact resistance of $6 \times 10^{-4} \text{ m}^2 \text{ }^{\circ}\text{C/W}$ also is there between the two layers determine the heat flow and interface temperatures. Also calculate the overall heat transfer coefficient based on outside area.
- 2.17 A steam pipe carrying steam at 260°C is of 15 cm dia and 20 mm thickness. The convection coefficient on the inside is $45 \text{ W/m}^2\text{K}$. The conductivity of the material is 35 W/mK . An insulation of 4 cm thickness with a conductivity of 0.08 W/mK is installed over the pipe with a contact resistance of $6 \times 10^{-4} \text{ }^{\circ}\text{C m}^2/\text{W}$. The outside is exposed to surroundings at 30°C with a convection

- coefficient of $18 \text{ W/m}^2\text{K}$ and to also radiation to the same surroundings. Determine the heat flow, overall heat transfer coefficient based on outside area, and the interface temperatures.
- 2.18** A spherical container filled with a fluid of good thermal conductivity which is constantly being stirred is to be insulated. The inner diameter of the container is 0.4 m . The heat capacity of the fluid is $70 \text{ kJ/}^\circ\text{C}$. The wall thickness is 15 mm and the conductivity of the material is 15 W/mK . The fluid is at 160°C . The convection coefficient on the inside is $45 \text{ W/m}^2\text{K}$. The outside is exposed to air at 30°C with a convection coefficient of $25 \text{ W/m}^2\text{K}$. Determine the overall heat transfer coefficient based on outside area, heat loss and the instantaneous rate of cooling of the fluid.
- 2.19** A hollow spherical insulation has internal diameter of 16 cm and a thickness of 8 cm . The inner surface is at -10°C while the outer surface is at 35°C . Determine the radius at which the temperature is 0°C .
- 2.20** A spherical vessel 10 cm OD at -24°C is exposed to air at 20°C with convection coefficient of $10 \text{ W/m}^2\text{K}$. Determine the heat gain rate. If the sphere is insulated with 5 cm thick insulation of thermal conductivity of 0.5 W/mK , determine the heat gain rate. Also investigate thicknesses of 2.5 cm and 7.5 cm of insulation.
- 2.21** A spherical vessel containing hot fluid at 160°C (in a chemical process) is of 0.4 m OD and is made of Titanium of 25 mm thickness. The thermal conductivity is 20 W/mK . The vessel is insulated with two layers of 5 cm thick insulations of thermal conductivities 0.06 and 0.12 W/mK . There is a contact resistance of 6×10^{-4} and $5 \times 10^{-4} \text{ m}^2 \text{ }^\circ\text{C/W}$ between the metal and first insulation and between the insulating layers. The outside is exposed to surrounding at 30°C with a convection coefficient of $15 \text{ W/m}^2\text{K}$. Determine the rate of heat loss, the interface temperatures and the overall heat transfer coefficient based on the metal surface area.
- 2.22** An insulating wall of a furnace has the following relationship for its thermal conductivity $k = 0.7 (1 + 15 \times 10^{-4} T) \text{ W/mK}$ where T is in $^\circ\text{C}$. The wall is 0.25 m thick. The inside surface is at 760°C and the outside surface is at 60°C . Determine the heat loss per unit area and also the temperature at the mid section.
- 2.23** The wall in problem 2.22 has the inside surface exposed to gases at 760°C with a convection coefficient of $40 \text{ W/m}^2\text{K}$ and the outer surface is exposed to air at 35°C with a convection coefficient of $20 \text{ W/m}^2\text{K}$. Determine the heat flow rate, the surface temperatures and the mid plane temperature.
- 2.24** A pipe of 0.3 m outer diameter at a temperature of 160°C is insulated with a material having a thermal conductivity of $k = 0.055 (1 + 2.8 \times 10^{-3} T) \text{ W/mK}$ where T is in $^\circ\text{C}$. The outside surface temperature is 40°C . Determine the heat flow/m length and the temperature at the mid radius.
- 2.25** A cylindrical pressure vessel of ID 2 m made of material with thermal conductivity $k = 14.7 (1 + 10^{-3} T) \text{ W/mK}$ where T is in $^\circ\text{C}$ and has a wall thickness of 20 cm . Plot the temperature along the radius if the inside surface is at 400°C and the outside is 300°C .
- 2.26** A cylindrical pressure vessel of 1 m inner diameter and wall thickness 15 cm is made of material with conductivity $k = 44 (1 - 4.2 \times 10^{-4} T) \text{ W/mK}$ where T is in $^\circ\text{C}$. If the inside surface temperature is 420°C and the outer surface temperature is 300°C , plot the temperature variation along the radius.
- 2.27** A spherical vessel of 0.4 m inside diameter an 15 cm thickness is made of material with thermal conductivity of $k = 51 (1 - 8 \times 10^{-4} T) \text{ W/mK}$ where T is in $^\circ\text{C}$. The inside surface is at -190°C while the outside is at -90°C . Plot the temperature variation with radius. Also find the heat gain.
- 2.28** A spherical vessel of 2 m outer dia and a surface temperature of 80°C is insulated with a material having its thermal conductivity given by $k = 0.12 (1 + 1.6 \times 10^{-3} T) \text{ W/mK}$, where T is in $^\circ\text{C}$. The thickness of insulation is 18 cm and the outer surface is at 20°C . Determine the heat loss. Also find the temperature at mid thickness.
- 2.29** The temperature variation in a slab is given by $t(x) = 40 - 200 x^2$ where x is in m and x coordinate being zero at the left face of the slab and 0.1 m at the right face. Determine the heat flow at the

- faces $x = 0$ and $x = 0.1$ m. The conductivity of the material is 45 W/mK. If the conditions are steady, determine the heat generation rate in the slab.
- 2.30** The temperature distribution in a body is given by the equation $T(x, y, z, \tau) = y^2 - 2x^2 + z^2 - xy + 2xz$. Examine whether it represents steady state conduction.
- 2.31** A truncated cone of height L has heat conduction along the axis as detailed in Fig. 2.31. Derive an expression for the variation of thermal conductivity along x , given

$$A = A_o \left(1 - \frac{x}{L}\right), \quad T(x) = 300 \left\{1 - 2\left(\frac{x}{L}\right) - \left(\frac{x}{L}\right)^3\right\}$$

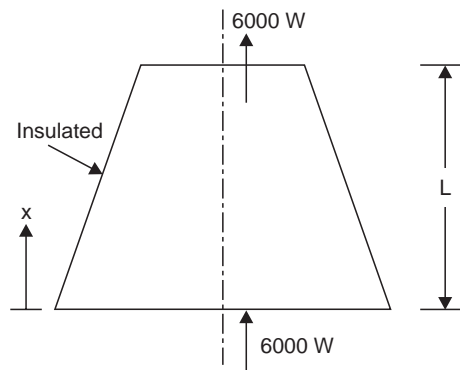


Fig. 2.31.

- 2.32** In an aluminium surface with a roughness depth (after applying pressure) of 0.01 mm, the area of crests is 50% of the total area. The outer plate is in contact with stainless steel with roughness depth of 0.01 mm with the area of contact of 50% . Determine the contact resistance (i) If the inter space is filled with air (ii) If it is filled with oil of $k = 0.15$ W/mK.
- 2.33** A furnace with an operating temperature of 900°C is insulated by a wall 0.25 m thick with convection coefficient of 85 W/m²K on the inside and exposed on the outside to air at 30°C with a convection coefficient of 15 W/m²K. The supplier reported that the conductivity of the material was 0.08 W/m²K. After installation, a note was received that the material thermal conductivity varies with temperature and it is given by $k = 0.08(1 + 9 \times 10^{-4} T)$ W/mK. Calculate the actual heat flow and the original designed flow T is in $^\circ\text{C}$.
- 2.34** A wall 2 m thick has the following temperatures distribution: $T(x) = 60 + 18x - 6x^3$ where x is in m and $T(x)$ is in $^\circ\text{C}$. Determine the location of maximum temperature and the heat flow per m² area at both faces, $k = 30$ W/mK.
- 2.35** A hollow cylinder of inner radius R_1 and outer radius R_o has the following variation of temperature along the radius. $T(r) = 300 - 300 \ln(r/R_1)$. The conductivity of the material is 45 W/mK. If the inner radius is 6 cm and the outer radius is 9 cm determine the direction and rate of flow of heat at the two surfaces for 1 m length of pipe.
- 2.36** A hollow sphere of inner radius R_1 and outer radius R_o has the following variation of temperature along the radius. $T(r) = 300 + 300 \ln(r/R_o)$. The conductivity of the material is 45 W/mK. If the inner radius is 6 cm and the outer radius is 9 cm determine the direction and rate of flow of heat at the two surfaces.
- 2.37** A cross section of a wall is shown in Fig. 2.37. Determine the heat flow for a 0.25 m height for unit depth. The surface temperatures are -15°C and 20°C . The conductivities of the materials are $k_A = 0.65$ W/mK, $k_B = 0.08$ W/mK, $k_C = 0.16$ W/mK, $k_D = 2.10$ W/mK, $k_E = 3.5$ W/mK. Material A is exposed to -15°C . Also find interface temperatures.

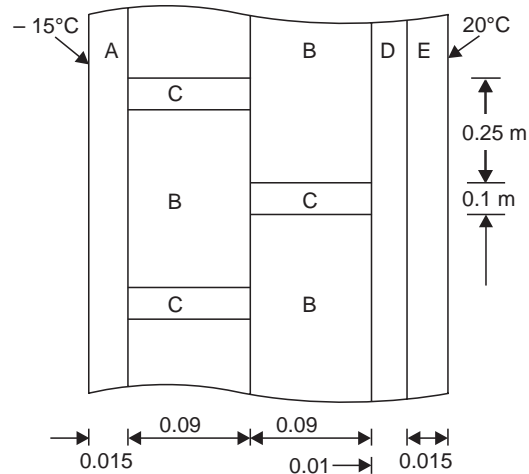


Fig. 2.37

- 2.38** A 5 mm dia copper cable is insulated with a material of conductivity of 0.16 W/mK and is exposed to air at 30°C with a convection coefficient of $20 \text{ W/m}^2\text{K}$. If the surface temperature of the wire can be 120°C , determine the insulation thickness for maximum heat flow and the heat dissipated per m length.
- 2.39** An aircraft canopy in the form of a part of a sphere of diameter of 1.2 m is made of a transparent material 15 mm thickness having a conductivity of 2.5 W/mK is exposed on the outside to -60°C and a convection coefficient of $180 \text{ W/m}^2\text{K}$. On the inside the temperature is 25°C and the convection coefficient is $10 \text{ W/m}^2\text{K}$. If the area exposed to the surroundings, is a quarter of a sphere determine the heat loss through the canopy.
- 2.40** To determine the contact resistance between two surfaces, stainless steel rods of 2.5 cm diameter with the ends machined to the required surface roughness and held together at the required pressure. One of the rod is heated at the free end, while the remaining portion is insulated. The temperatures are measured at points as shown in Fig. 2.40. Determine the contact resistance. $k = 40 \text{ W/mK}$. The temperatures at A, B, C and D are 110°C , 105°C , 100°C and 95°C respectively.

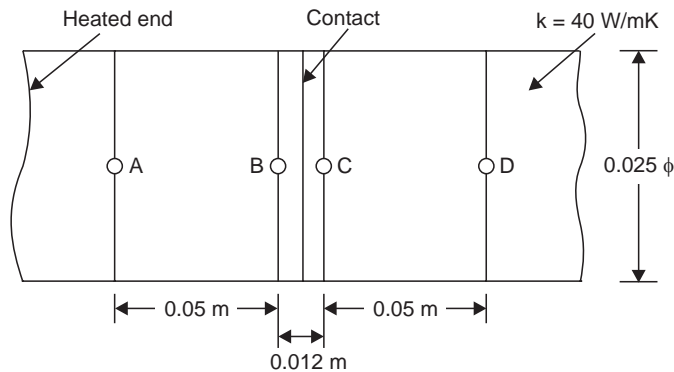


Fig. 2.40

3

CONDUCTION WITH HEAT GENERATION

3.0 INTRODUCTION

In the previous chapter, steady state heat conduction problems were discussed. In these cases the boundary conditions governed the temperature distribution. In this chapter the additional factor of heat generation within the body is to be considered. Heat generation is met with in electrical conductors carrying current. The resistance heating has to be dissipated in such a way that the conductor does not fail. The maximum temperature in the wire has to be limited. A more serious case is the heat generation in nuclear reactor fuel rods. Here the generation rate is very high and accidents will be catastrophic. The heat generated has to be collected at the required rates at the boundary to avoid failure. Microwave heating is another example. Exothermic reaction in chemical processes also may cause problems if proper care is not taken to maintain the temperature at or below the allowable level. The heat flow under steady conditions is easily estimated as the product of the volume of the body and heat generation rate. The temperature drop through the body will increase with increased heat generation. Higher thermal conductivity will lead to lower temperature drop. As in the previous chapter three geometric shapes, namely plane, cylinder and sphere, are analysed. Hollow cylinder with internal and external heat collection is also discussed. Variable heat generation rate is also considered.

3.1 STEADY STATE ONE DIMENSIONAL CONDUCTION IN A SLAB WITH UNIFORM HEAT GENERATION

The physical model is shown in Fig. 3.1(a) and 3.1(b). Two types of boundary specifications are possible as shown in these figures.

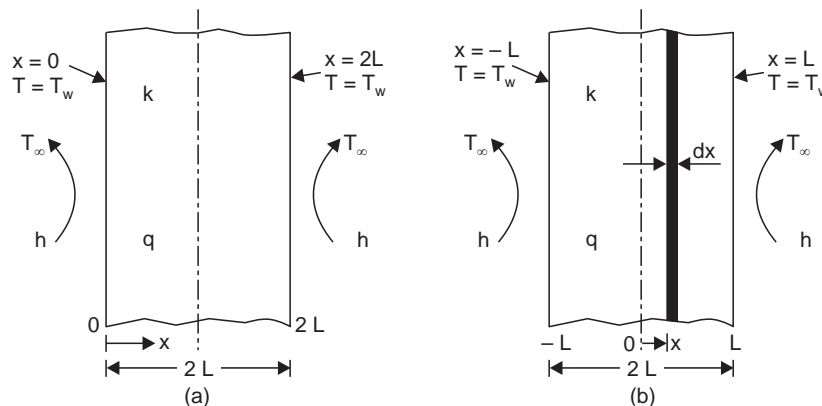


Fig. 3.1. (a), (b) Slab with heat generation.

The results of analysis are the same in both cases.

In the following discussions the model in 3.1(b) is adopted.

A large slab of thickness $2L$ with uniform heat generation rate of \dot{q} (W/m^3) is considered. There is equal convection at T_∞ on both sides such that the surface temperature is T_w on both sides. The centre plane is taken as the origin for x and the slab extends to $+L$ on the right and $-L$ on the left. The conductivity of the materials is k . A thin section of dx is considered at a distance x from the origin for heat balance.

Calculations are made on the basis of unit area. The differential equation applicable for this case has been derived in chapter 2. The equation 2.6(b) is

$$\frac{d^2T}{dx^2} + \frac{\dot{q}}{k} = 0 \quad \dots(3.1)$$

Considering the thin section of thickness dx at x , the energy balance can be written as

heat conducted at section x + heat generated in the dx thickness – heat flowing out at $x + dx = 0$.

or
$$-kA \frac{dT}{dx} + \dot{q} dx A - \left[-kA \frac{dT}{dx} + \frac{d}{dx} \left(-kA \frac{dT}{dx} \right) dx \right] = 0$$

Simplifying
$$\frac{d^2T}{dx^2} + \dot{q}/k = 0.$$

Writing the equation as below and integrating

$$d\left(\frac{dT}{dx}\right) = -\frac{\dot{q}}{k} dx$$

$$\frac{dT}{dx} = -\frac{\dot{q}}{k} x + C_1 \quad \dots(3.2)$$

$$\therefore T = -\frac{\dot{q}x^2}{2} + C_1x + C_2 \quad \dots(3.3)$$

At the mid section, at $x = 0$, there is no heat flow across the section or $\frac{dT}{dx} = 0$. From equation (3.2), $C_1 = 0$.

$$\text{At } x = L, T = T_w, \therefore T_w = -\left(\frac{\dot{q}}{2k}\right)L^2 + C_2$$

$$\therefore C_2 = T_w + \frac{\dot{q}}{2k} L^2 \quad \dots(3.4)$$

Substituting in eqn. (3.3),

$$T = -\left(\frac{\dot{q}}{2k}\right)x^2 + T_w + \frac{\dot{q}}{2k} L^2$$

or
$$T - T_w = \frac{\dot{q}}{2k} (L^2 - x^2) \quad \dots(3.5(a))$$

Sometimes only T_∞ and h will be known. In such cases the equation (3.5(a)) can be modified.

$$\text{At the boundary } AL\dot{q} = hA(T_w - T_\infty) \quad \therefore T_w = T_\infty + \frac{\dot{q}L}{h}$$

Eqn. (3.5(a)) can be written as

$$T - T_\infty = \frac{\dot{q}}{2k}(L^2 - x^2) + \frac{\dot{q}L}{h} \quad \dots(3.5(b))$$

For these equations to be applicable model (3.1(b)) should be used.

The temperature at $x = 0$ is obtained from (3.5(a)) and (3.5(b)) as

$$T_o = T_w + \frac{\dot{q}}{2k} L^2 \quad \dots(3.6(a))$$

$$T_o = T_\infty + \frac{\dot{q}}{k} L^2 + \frac{\dot{q}L}{h} \quad \dots(3.6(b))$$

Equation (3.5(a)) can also be modified as below. Using 3.5a and 3.6a.

$$T - T_o = \frac{\dot{q}}{2k}(L^2 - x^2) + T_w - T_w - \frac{\dot{q}}{2k} L^2 = -\frac{\dot{q}}{2k} x^2$$

$$\text{From (3.6(a)) } T_w - T_o = -\frac{\dot{q}}{2k} L^2.$$

$$\therefore \frac{T - T_o}{T_w - T_o} = \frac{x^2}{L^2} = \left(\frac{x}{L}\right)^2 \quad \dots(3.7)$$

This shows that the temperature variation is parabolic. It may be also seen that the temperature gradient becomes steeper along x as more heat is to be conducted as x increases.

Example 3.1: Heat is generated in a slab of 120 mm thickness with a conductivity of 200 W/mK at a rate of 10^6 W/m³. Determine the temperature at the mid and quarter planes if the surface of the solid on both sides are exposed to convection at 30°C with a convection coefficient of 500 W/m²K. Also find the heat flow rate at these planes and the temperature gradients at these planes.

The data are shown in Fig. Ex. 3.1.

Solution: Using equation (3.5): at quarter plane, ($L = 0.12/2 = 0.06$ m)

Considering unit area heat flow on the right side = $0.06 \times 1 \times 1 \times 10^6$. This equals the convection heat gain.

$$\therefore 0.06 \times 1 \times 10^6 = 1 \times 500 (T_w - 30)$$

Solving $T_w = 150^\circ\text{C}$.

$$T - T_w = (\dot{q}/2k)(L^2 - x^2), \text{ at } x = 0.03 \text{ m}$$

$$T_1 - 150 = (10^6/2 \times 200) (0.06^2 - 0.03^2)$$

Therefore $T_1 = 156.75^\circ\text{C}$.

at $x = 0$

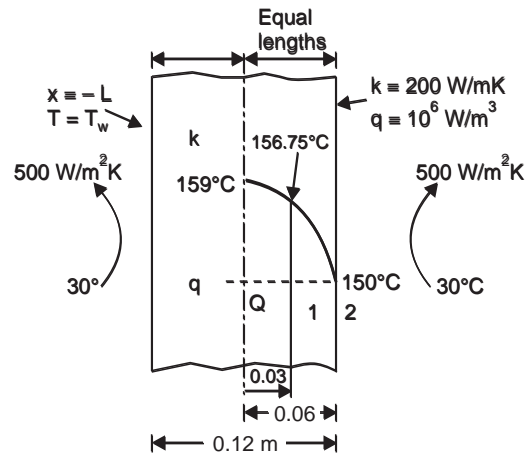


Fig. Ex. 3.1. Problem model.

$$T_o - 150 = (10^6/2 \times 200) \times (0.06^2 - 0)$$

Therefore $T_o = 159^\circ\text{C}$

Heat flow at $x = 0.03\text{m}$. Heat generated from mid plane to this section is conducted at this section. So for unit area, *i.e.* 1 m^2

$$Q = 10^6 \times 1 \times 0.03 = 30,000\text{ W/m}^2.$$

Therefore Temperature gradient $= -Q/kA = -30000/200 \times 1 = -150^\circ\text{C/m}$.

At $x = 0.06\text{ m}$ as above $Q = 10^6 \times 1 \times 0.06 = 60000\text{ W/m}^2$.

Therefore temperature gradient $= -60000/200 \times 1 = -300^\circ\text{C/m}$.

3.1.1. The other boundary of interest is when the two surfaces are maintained at different specified temperatures as in Fig. 3.2.

The solution for T at plane x is obtained from hand books as

$$T_x = \frac{T_{w1} + T_{w2}}{2} + (\dot{q}/2k)(L^2 - x^2) + \left(\frac{T_{w2} - T_{w1}}{2L}\right)x \quad \dots(3.8)$$

The location for the maximum temperature is obtained by calculating (dT/dx) and equating the value to zero. This procedure gives

$$x_{\max} = (k/2\dot{q}L)(T_{w2} - T_{w1}) \quad \dots(3.9)$$

and
$$T_{\max} = \frac{\dot{q}L^2}{2k} + (k/8\dot{q}L^2)(T_{w2} - T_{w1})^2 + \frac{T_{w2} + T_{w1}}{2} \quad \dots(3.10)$$

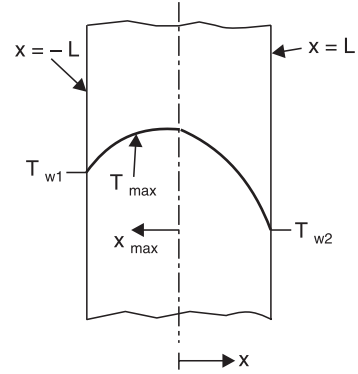


Fig. 3.2. Problem model.

Example 3.2: In example 3.1, if the temperatures at the surfaces are maintained at 130°C and 150°C on the left and right sides determine the location and value of the maximum temperature. Also find the heat flow on each side and the temperature at the centre plane. $\dot{q} = 10^6\text{ W/m}^3$, $L = 0.06\text{ m}$, $k = 200\text{ W/mK}$.

Solution: Using equation (3.9) the location of the maximum temperature is found as below:

$$\begin{aligned} x_{\max} &= (k/2\dot{q}L)(T_{w2} - T_{w1}) \\ &= (200/2 \times 10^6 \times 0.06)(150 - 130) = \mathbf{0.0333\text{ m}} \end{aligned}$$

This moves to right.

Using equation (3.10), the maximum temperature is found

$$\begin{aligned} T_{\max} &= \dot{q}L^2/2k + (k/8\dot{q}L^2)(T_{w2} - T_{w1})^2 + \frac{T_{w2} + T_{w1}}{2} \\ &= \frac{10^6 \times 0.06^2}{2 \times 200} + \frac{200}{8 \times 10^6 \times 0.06^2}(150 - 130)^2 + \frac{150 + 130}{2} \\ &= 9 + 2.778 + 140 = \mathbf{151.778^\circ\text{C}} \end{aligned}$$

The heat flow on either side is the heat generated from the maximum temperature plane to the surface.

On the 130°C side:

$$Q = 10^6 \times 0.09333 = 93333.3 \text{ W/m}^2$$

On the 150°C side:

$$Q = 10^6 \times (0.06 - 0.03333) = 26666.7 \text{ W/m}^2$$

$$\text{Total} = 120,000 \text{ W}$$

(3.8) **Center plane temperature** is found using equation

$$T_x = \frac{T_{w1} - T_{w2}}{2} + \frac{T_{w2} - T_{w1}}{2} (x/L) + \frac{q}{2k} (L^2 - x^2)$$

and

$$T_o = \frac{130 + 150}{2} + \frac{150 - 130}{2} \times (0.0/L) + \frac{10^6}{2 \times 200} \times (0.06^2 - 0) = 140 + 0 + 9 = 149^\circ\text{C}$$

Also refer solved problem 3.10.

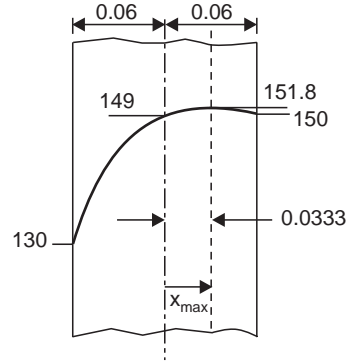


Fig. Ex. 3.2. Problem model.

3.2 STEADY STATE RADIAL HEAT CONDUCTION IN CYLINDER WITH UNIFORM HEAT GENERATION. (FIG. 3.3)

A cylinder of radius R with uniform heat generation \dot{q} and conductivity k is considered. Outside convection h is at T_∞

Considering the elemental annular volume between r and $r + dr$, the energy balance gives (taking 1 m length)

heat conducted in + heat generated - heat conducted out = 0.

$$-k 2\pi r.l (dT/dr) + \dot{q} 2\pi r dr.l - (-k 2\pi r.l dT/dr) - (d/dr) (-k 2\pi r.l dT/dr) dr = 0$$

$$\text{Therefore } (d/dr) (r dT/dr) + (q r/k) = 0 \quad \dots(3.11)$$

This equation is the same as the simplified equation (2.7(b)) of chapter 2.

Integrating after separating variables

$$dT/dr = -(\dot{q}/2k)r + C_1/r \quad \dots(3.12)$$

$$T = -(\dot{q}/4k)r^2 + C_1 \ln r + C_2 \quad \dots(3.13)$$

This is the general solution and the constants C_1 and C_2 are evaluated using the boundary conditions. The four boundary conditions of interest are discussed in the following paras.

3.2.1. Solid Cylinder: The boundary conditions are:

(i) at $r = 0$, $dT/dr = 0$, (ii) at $r = R$, $T = T_w$.

$$\text{Condition (i) yields } C_1 = 0 \text{ as } C_1 = \frac{\dot{q}r^2}{2k} \text{ and } r = 0. \quad \dots(\text{eqn. 3.12})$$

$$\text{Condition (ii) yields } C_2 = T_w + (\dot{q}/4k) (R^2)$$

$$\text{Therefore } T - T_w = (\dot{q}/4k) (R^2 - r^2) \quad \dots(3.14(a))$$

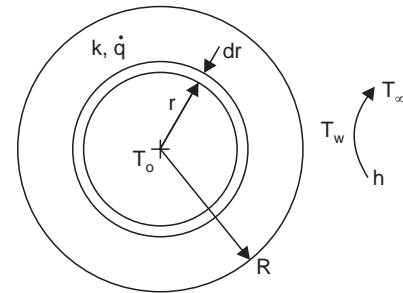


Fig. 3.3. Model.

The maximum temperature, T_o is at the axis and is

$$T_o - T_w = (\dot{q}/4k) (R^2) \quad \dots(3.15(a))$$

Therefore
$$\frac{T - T_w}{T_o - T_w} = 1 - (r/R)^2 \quad \dots(3.16)$$

This can also be rearranged as

$$(r/R)^2 = 1 - \left[\frac{T - T_w}{T_o - T_w} \right] = \frac{T_o - T}{T_o - T_w} \quad \dots(3.16(a))$$

The temperature variation will be parabolic with radius.

Taking convection into account, heat generation unit length = $\pi R^2 \times 1 \times \dot{q}$

This is absorbed by the fluid in the outside area $2\pi R \times 1$

$$\therefore \pi R^2 \dot{q} = 2\pi R h (T_w - T_\infty) \quad \therefore T_w = T_\infty + \frac{R\dot{q}}{2h}$$

Eqn. (3.14(a)) reduces to
$$T - T_\infty = \frac{\dot{q}}{4k} (R^2 - r^2) + \frac{R\dot{q}}{2h} \quad \dots(3.14)$$

Eq. (3.15(a)) reduces to
$$T_o = T_\infty + \frac{\dot{q}}{4k} R^2 + \frac{R\dot{q}}{2h} \quad \dots(3.15)$$

Example 3.3: A cylinder of 12 cm diameter has a heat generation rate 10^6 W/m^3 . The conductivity of the material is 200 W/mK . The surface is exposed to air at 30°C . The convection coefficient is $500 \text{ W/m}^2\text{K}$. Determine the temperatures at the center and also at mid radius. Also determine the heat flow at the surface on unit area basis. Calculate the temperature gradients at the mid radius and surface.

Solution:
$$T_w = T_\infty + \frac{R\dot{q}}{2h} = 30 + \frac{0.06 \times 10^6}{2 \times 500} = 90^\circ\text{C}$$

Using equation (3.14(a))

$$T_o - T_w = (\dot{q}/4k) [R^2 - r^2]$$

Temperature at radius $r = 0$ is

Therefore
$$T_o = 90 + \frac{10^6}{4 \times 200} (0.06^2 - 0) = 94.5^\circ\text{C}.$$

At mid radius $r = 0.03$

$$\therefore T = 90 + \frac{10^6}{4 \times 200} (0.06^2 - 0.03^2) = 93.375^\circ\text{C}$$

Heat flow upto mid radius is the heat generated in the cylinder. Therefore

$$Q = \dot{q} \times \pi r^2 \times 1 \text{ W/m} = 10^6 \times \pi \times 0.03^2 = 2827.4 \text{ W/m}.$$

On area basis:
$$Q/A = 2827.4/2 \pi r \times 1 = 2827.4/2\pi \times 0.03 = 15,000 \text{ W/m}^2$$

Heat flow at the surface
$$Q = \dot{q} \times \pi R^2 \times 1 = 10^6 \times \pi \times 0.06^2 = 11309.7 \text{ W/m}.$$

On area basis
$$Q/A = 11309.7/\pi \times 0.12 \times 1 = 30,000 \text{ W/m}^2$$

Temperature gradient

$$Q = -kAdT/dr. \text{ Using the heat flow on area basis.}$$

at mid radius $15,000 = -200 \times 1 \frac{dT}{dr}$. Therefore $\frac{dT}{dr} = -75^\circ\text{C/m}$.

at surface $30,000 = -200 \times 1 \times \frac{dT}{dr}$. Therefore $\frac{dT}{dr} = -150^\circ\text{C/m}$.

Example 3.4: A 3 mm diameter wire of thermal conductivity of 20 W/mK carries 200 Amps. The resistivity ρ of the material is $75 \mu\Omega \text{ cm}$. The heat generated is absorbed by a fluid at 120°C . With convective heat transfer coefficient of $4000 \text{ W/m}^2\text{K}$. Determine the maximum temperature of in the wire.

Solution: Heat generated = I^2R , Resistance $R = \rho \frac{L}{A}$. Assume 1 m length where ρ is the resistivity, L is the length and A is sectional area.

$$\text{Resistance} \quad R = \frac{75 \times 10^{-6} \times 1}{100 \times \pi \times 0.0015^2} = 0.1061 \Omega$$

$$\text{Heat generated in 1 m wire} = 200^2 \times 0.1061 = 4244.3 \text{ W}$$

$$\dot{q} = \frac{\text{heat generated}}{\text{volume}} = \frac{4244.3}{\pi \times 0.0015^2 \times 1} = 600.41 \times 10^6 \text{ W/m}^3.$$

Using equation (3.15(b)), R -radius

$$\begin{aligned} T_o &= T_\infty + \frac{\dot{q}R^2}{4k} + \frac{\dot{q}R}{2h} \\ &= 120 + \frac{600.41 \times 10^6 \times 0.0015^2}{4 \times 20} + \frac{600.41 \times 10^6 \times 0.0015}{2 \times 4000} \\ &= 249.5^\circ\text{C} \end{aligned}$$

The maximum temperature in the wire is 249.5°C .

3.2.2. Hollow cylinder of radius R_i , R_o with T_i and T_o specified. The boundary conditions are

$$(i) \ r = R_i, \ T = T_i \quad (ii) \ r = R_o, \ T = T_o$$

After a somewhat long arithmetic work the equation that can be obtained is

$$T_r - T_o = (\dot{q}/4k) (R_o^2 - r^2) + [(T_o - T_i) + (\dot{q}/4k) (R_o^2 - R_i^2)] \frac{\ln(r/R_o)}{\ln(R_o/R_i)} \quad \dots(3.17(a))$$

$$T_r - T_i = (\dot{q}/4k) (R_i^2 - r^2) + [(T_o - T_i) + (\dot{q}/4k) (R_o^2 - R_i^2)] \frac{\ln(r/R_i)}{\ln(R_o/R_i)} \quad \dots(3.17(b))$$

The radius at which the maximum temperature occurs is obtained by differentiating the expression (3.17) and equating to zero.

$$R_{\text{max}}^2 = \frac{2k}{\dot{q} \ln(R_o/R_i)} \left[(T_o - T_i) + \frac{\dot{q}}{4k} (R_o^2 - R_i^2) \right] \quad \dots(3.18)$$

Example 3.5: A hollow cylinder 6 cm ID and 12 cm OD has a heat generation rate of 5×10^6 W/m³. The inner surface is maintained at 380°C and the outer surface at 360°C. The conductivity of the material is 30 W/mK. Determine (i) the location and value of the maximum temperature (ii) the fraction heat generated going to the inner surface.

The location of the maximum temperature is determined using equation 3.18.

Solution: Using eqn. 3.18, $R_i = 0.03$ m, $R_o = 0.06$ m, $T_i = 380^\circ\text{C}$, $T_o = 360^\circ\text{C}$

$$R_{\max}^2 = \frac{2 \times 30}{5 \times 10^6 \ln\left(\frac{0.06}{0.03}\right)} \left[(360 - 380) + \frac{5 \times 10^6}{4 \times 30} (0.06^2 - 0.03^2) \right]$$

$$= 0.0016.$$

$$\therefore \mathbf{R_{\max} = 0.04 \text{ m.}}$$

To determine T_{\max} , eqn. 3.17(b) is used.

$$T_r - 380 = \frac{5 \times 10^6}{4 \times 30} (0.03^2 - 0.04^2) + \frac{\ln\left(\frac{0.04}{0.03}\right)}{\ln\left(\frac{0.06}{0.03}\right)} \left[(360 - 380) + \frac{5 \times 10^6}{4 \times 30} (0.06^2 - 0.03^2) \right]$$

$$= 9.22^\circ\text{C}$$

$$\therefore \mathbf{T_{\max} = 389.22^\circ\text{C.}}$$

Heat flow to the inside is the heat generated upto R_{\max} .

$$\therefore \mathbf{Q_{in} = 5 \times 10^6 \times \pi (0.04^2 - 0.03^2) = 10995.6 \text{ W.}}$$

3.2.3. Hollow cylinder with inner surface adiabatic: The boundary conditions are:

(i) $dT/dr = 0$ at $r = R_i$ (ii) $T = T_o$ at $r = R_o$. This gives

$$T - T_o = (\dot{q}/4k) (R_o^2 - r^2) + (\dot{q}/2k) R_i^2 \cdot \ln(r/R_o) \quad \dots(3.19)$$

The maximum temperature occurs at the inner surface.

$$T_{\max} = T_i = T_o + (\dot{q}/4k) (R_o^2 - R_i^2) + (\dot{q}/2k) \cdot R_i^2 \cdot \ln(R_i/R_o) \quad \dots(3.20)$$

$$T_{\max} - T_o = (\dot{q}/4k) (R_o^2 - R_i^2) + (\dot{q}/2k) \cdot R_i^2 \cdot \ln(R_i/R_o) \quad \dots(3.20a)$$

Example 3.6: The heat generation rate in a hollow cylinder of ID 0.14082 m and OD 0.018 m is 5×10^6 W/m³. The conductivity of the material is 30 W/mK. If the inside surface is insulated, determine the temperature at the inside surface. The outside surface is exposed to a fluid at 100°C with a convection coefficient of 335.73 W/m²K.

Solution: As the inside surface is insulated, the heat generated is given to the fluid flowing over the outside surface, by convection process. The outside surface temperature is determined using (considering 1 m length)

$$\dot{q} \times \pi (R_o^2 - R_i^2) \times 1 = h \times 2\pi \times R_o \times 1 \times (T_o - T_\infty)$$

$$5 \times 10^6 \times (0.09^2 - 0.07041^2) \times 1 = 335.73 \times 2 \times 0.09 \times 1 (T_o - 100)$$

$$\text{Therefore} \quad \mathbf{T_o = 360^\circ\text{C.}}$$

The temperature at the inner radius is determined using equation 3.19 and substituting R_i for r

$$T_i - T_o = (\dot{q}/4k) (R_o^2 - R_i^2) + (\dot{q}/2k) R_i^2 \cdot \ln(R_i/R_o)$$

$$T_i - 360 = \frac{5 \times 10^6}{4 \times 30} (0.09^2 - 0.07041^2) + \frac{5 \times 10^6}{2 \times 30} \times 0.07041^2 \cdot \ln \left[\frac{0.07041}{0.09} \right]$$

$$T_i - 360 = 130.93 - 101.41 = 29.52^\circ\text{C}$$

Therefore $T_i = 389.52^\circ\text{C}$.

3.3.4. Hollow cylinder with outside surface adiabatic: The boundary conditions are:

- (i) $dT/dr = 0$ at $r = R_o$
- (ii) $T = T_i$ at $r = R_i$ This gives

$$T_r - T_i = (\dot{q}/4k) (R_i^2 - r^2) + (\dot{q}/2k) R_o^2 \cdot \ln (r/R_i) \quad \dots(3.21)$$

The maximum temperature is at the outer surface:

$$T_{\max} = T_o = T_i + (\dot{q}/2k) R_o^2 \cdot \ln(R_o/R_i) - (\dot{q}/4k)(R_o^2 - R_i^2) \quad \dots(3.22)$$

In all the cases the total heat flow is the heat generated in the volume between the immediate adiabatic section and the section considered.

Example 3.7: A hollow cylinder of ID 0.12 m and OD 0.14082 has a heat generation rate of $5 \times 10^6 \text{ W/m}^3$. The conductivity of the material is 30 W/mK. The outside surface is insulated and heat is removed by convection over the inside surface by a fluid at 130°C with a convection coefficient of $226.26 \text{ W/m}^2\text{K}$. Determine the temperature on the outside surface.

Solution: The heat generation is convected at the inner surface.

Therefore $\dot{q} \times \pi(R_o^2 - R_i^2) \times 1 = h2\pi R_i \times 1(T_i - T_\infty)$

$$5 \times 10^6 \times (0.07041^2 - 0.06^2) \times 1 = 226.26 \times 2 \times 0.06 \times (T_i - 130)$$

Therefore $T_i = 380^\circ\text{C}$

To determine the outside surface temperature, equation 3.22 is used.

$$T_{\max} = T_i + (\dot{q}/2k)(R_o^2) \cdot \ln(R_o/R_i) - (\dot{q}/4k)(R_o^2 - R_i^2)$$

$$T_{\max} = 380 + \frac{5 \times 10^6}{2 \times 30} \times 0.07041^2 \cdot \ln \left[\frac{0.07041}{0.06} \right] - \frac{5 \times 10^6}{4 \times 30} (0.07041^2 - 0.06^2)$$

$$= 380 + 66.1 - 56.57 = 389.53^\circ\text{C}$$

3.3 RADIAL CONDUCTION IN SPHERE WITH UNIFORM HEAT GENERATION (FIG. 3.4)

Considering a thin layer of thickness dr at r , the energy equation gives

$$-k4\pi r^2 dT/dr + 4\pi r^2 \dot{q} dr + k4\pi r^2 dt/dr + (d/dr) (k4\pi r^2 dT/dr) dr = 0$$

$$(d/dr) (r^2 dT/dr) + (\dot{q}/k)r^2 = 0 \quad \dots(3.23)$$

This equation is the same as 2.8(b) of chapter 2.

Integrating $dT/dr = -(\dot{q}/3k)r + C_1/r^2$

$$dT/dr = 0 \text{ at } r = 0$$

Therefore $C_1 = (\dot{q}/3k)r^3 = 0$

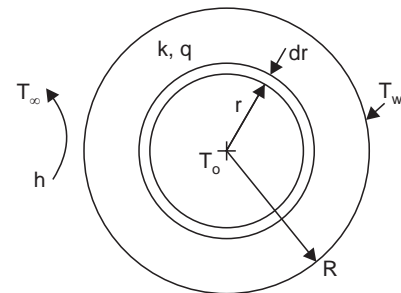


Fig. 3.4. Model.

Therefore $T = \frac{-\dot{q}r^2}{6k} + C_2$
 at $r = R, T = T_w$

Therefore $C_2 = T_w + \frac{\dot{q}R^2}{6k}$

Therefore $T - T_w = (\dot{q}/6k)(R^2 - r^2)$... (3.24(a))

The maximum temperature is at $r = 0$.

$$T_o - T_w = (\dot{q}/6k)R^2 \quad \dots(3.25)$$

$$\therefore \frac{T - T_w}{T_o - T_w} = 1 - (r/R)^2 \quad \dots(3.26)$$

Therefore, $1 - \frac{T - T_w}{T_o - T_w} = \frac{T_o - T}{T_o - T_w} = (r/R)^2$... (3.26(a))

Considering convection, the energy balance at the outside is

$$\frac{4}{3} \pi R^3 \dot{q} = 4\pi R^2 h (T_w - T_\infty)$$

$$\therefore T_w = T_\infty + \frac{R\dot{q}}{3h}$$

The eqn. 3.24 can be written as

$$T - T_\infty = \frac{\dot{q}}{6k} (R^2 - r^2) + \frac{R\dot{q}}{3h} \quad \dots(3.24(b))$$

The eqn. 3.25 can be written as

$$T_o - T_\infty = \left(\frac{\dot{q}}{6k}\right)R^2 + \frac{R\dot{q}}{3h}$$

The temperature distribution is parabolic as seen from eqn. 3.26(a). The heat flow at any section can be found using $-kA \frac{dT}{dr} = Q$. And Q is the heat generated up to the section.

Example 3.8: A solid sphere of 0.09 m radius generates heat at $5 \times 10^6 \text{ W/m}^3$. The conductivity of the material is 30 W/mK. The heat generated is convected over the outer surface to a fluid at 160°C, with a convective heat transfer coefficient of 750 W/m²K. Determine the maximum temperature in the material and the temperature at radius = 0.06 m.

Solution: Therefore $(4/3) \pi R^3 \dot{q} = 4\pi R^2 h (T_w - T_\infty)$
 $(4/3) \pi \times 0.09^3 \times 5 \times 10^6 = 4 \times \pi \times 0.09^2 \times 750 (T_w - 160)$

Therefore $T_w = 360^\circ\text{C}$

To determine the maximum temperature equation 3.25 is used.

$$T_o = T_w + \dot{q}R^2/6k = 360 + \frac{5 \times 10^6 \times 0.09^2}{6 \times 30} = 585^\circ\text{C}$$

To calculate the temperature at a radius of 0.06 m, equation 3.24 is used.

$$T - T_w = (\dot{q}/6k) (R^2 - r^2) = \frac{5 \times 10^6}{6 \times 30} (0.09^2 - 0.06^2)$$

$$T - T_w = 125^\circ\text{C}$$

Therefore

$$T = 360 + 125 = 485^\circ\text{C}.$$

Example 3.9: A hollow sphere of ID 12 cm and OD 21 cm made of material with conductivity of 30 W/mK generates heat at a rate of 5×10^6 W/m³. The inside is closed and so can be taken as insulated. Determine the maximum temperature in the solid. The outside temperature is 360°C.

Solution: Considering the differential equation 3.23 and integrating and applying the boundary conditions of $dT/dr = 0$ at $r = R_i$ and $T = T_o$ at $r = R_o$

$$(d/dr) (r^2 dT/dr) + (\dot{q}/k)r^2 = 0,$$

Therefore

$$dT/dr = (-\dot{q}/3k)r + C_1/r^2$$

Therefore

$$C_1 = +(\dot{q}/3k) (R_i^3), \text{ Substituting}$$

$$dT/dr = -(\dot{q}/3k) r + \frac{\dot{q} R_i^3}{3k} (1/r^2), \text{ Integrating the equation.}$$

$$T = -(\frac{\dot{q} R_i^3}{3k}/6k)r^2 - \frac{\dot{q} R_i^3}{3k} \frac{1}{r} + C_2 \text{ Using the second boundary}$$

$$T_o = (-\dot{q}/6k) (R_o^2) - \frac{\dot{q} R_i^3}{3k R_o} + C_2$$

Therefore $C_2 = T_o + (\dot{q}/6k) R_o^2 + (\dot{q}/3k) R_i^3/R_o$ Substituting and rearranging

$$T - T_o = (\dot{q}/6k) (R_o^2 - r^2) - (\dot{q} R_i^3/3k) (1/r - 1/R_o) \quad \dots(\text{E3.8.1})$$

Substituting for $r = R_i$ to get the maximum temperature

$$\begin{aligned} T &= 360 + \frac{5 \times 10^6}{6 \times 30} (0.105^2 - 0.06^2) - \frac{5 \times 10^6 \times 0.06^3}{3 \times 30} (1/0.06 - 1/0.105) \\ &= 480.53^\circ\text{C} \text{ (compare with example 3.7)} \end{aligned}$$

Note: The volume of sphere in example 3.7 is nearly the same as in this problem. But the maximum temperature is reduced considerably. Why ?

3.4 CONCLUSION

The heat generated in a solid is conducted through the solid and is then convected at the surface. The maximum temperature in the solid is often the limiting factor in design. Once the conductivity, heat generation rate and size are specified, the convective heat transfer coefficient has to be increased to the limiting value. In case the convection coefficient has limitations, then the size or the heat generation rate has to be reduced to obtain the limiting maximum temperature. In such a case cylinder of same linear dimension is better compared with slab configuration. In case the heat generation rate increases with temperature as in the case of electrical conductors, instability or continued increase in temperature may result.

Example 3.10: Heat is generated in a sphere of radius R_o at a rate depending on the radius given by $q_r = q_o (r/R_o)$ where q_r is the generation rate in W/m³ at any radius r . The material

thermal conductivity is k . Derive an expression for the temperature variation along the radius. Also obtain the value of total heat generated in the sphere. Check the value using the heat conducted at the surface. Considering $q_o = 5 \times 10^6 \text{ W/m}^3$, $R_o = 0.09\text{m}$, $k = 30 \text{ W/mK}$ and $T_o = 360^\circ\text{C}$, determine the maximum temperature in the sphere.

Solution: Using the general differential equation 3-23.

$$(d/dr) (r^2 dT/dr) + (\dot{q}/k)r^2 = 0, \text{ substituting for } \dot{q} = q_o, r/R_o$$

$$(d/dr) (r^2 dT/dr) + (q_o/kR_o) (r^3) = 0.$$

Integrating $r^2 dT/dr = -(q_o/4kR_o)r^4 + C_1$ and C_1 is zero as
 $dT/dr = 0$ at $r = 0$.

Therefore $dT/dr = -\frac{q_o}{4kR_o} \cdot r^2$... (E10.1)

Therefore $T = -\frac{q_o}{12kR_o} \cdot r^3 + C_2$... (E10.2)

Using the condition that $T = T_o$ at $R = R_o$.

$$C_2 = T_o + \left[\frac{q_o}{12k} \cdot R_o^2 \right]$$

Substituting the value

$$T - T_o = \left[\frac{q_o}{12kR_o} (R_o^3 - r^3) \right] \quad \dots \text{(E 10.3)}$$

Total heat generation can be found by summing up the heat generated in layers of dr thickness at various radii.

$$Q = q_o \int_0^{R_o} 4\pi r^2 \cdot (r/R_o) dr = q_o \pi R_o^3$$

$$Q = (-kAdT/dr) \text{ at } r = R_o \text{ from equation (E 10.1) } (dT/dr) \text{ at } r = R_o = -q_o/4k \cdot R_o$$

$$A = 4\pi R_o^2 \text{ Therefore } Q = -k \times 4\pi R_o^2 \times (-q_o R_o/4k)$$

$$= q_o \pi R_o^3 \text{ Thus proved.}$$

Maximum temperature $= T_o + \left[\frac{q_o}{12kR_o} \cdot R_o^3 \right] = 360 + \left[\frac{5 \times 10^6 \times 0.09^3}{12 \times 30 \times 0.09} \right]$

$$= 472.5^\circ\text{C} \text{ (compare with example 3.7)}$$

SOLVED PROBLEMS

Problem 3.1: A plate shaped nuclear fuel element of 24 mm thickness exposed on the sides to convection at 200°C with a convective heat transfer coefficient of $900 \text{ W/m}^2\text{K}$ generates heat at 20 MW/m^3 . Determine (i) the surface temperature, (ii) the maximum temperature in the plate and (iii) the temperature gradient at the surface. Thermal conductivity of the material is 25 W/mK .

Solution: The data given are shown in Fig. P3.1.

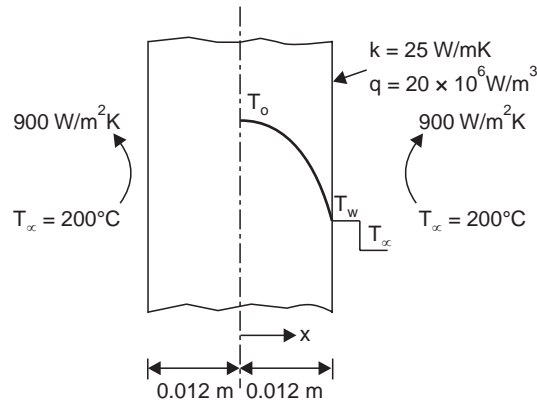


Fig. P. 3.1. Problem model.

(i) To find the surface temperatures, heat generated = heat convected

$$\dot{q}L \times 1 = h \times 1(T_w - T_\infty)$$

$$20 \times 10^6 \times 0.012 = 900(T_w - 200) \text{ Therefore } T_w = 466.7^\circ\text{C}$$

(ii)
$$T_o - T_w = (\dot{q}/2k) (L^2) = \frac{20 \times 10^6 \times 0.012^2}{2 \times 25} = 57.6^\circ\text{C}$$

Therefore $T_o = \text{Maximum temperature} = 466.7 + 57.6 = 524.3^\circ\text{C}$

(iii) The temperature gradient at the surface is found by using

$$Q = -kA \frac{dT}{dx}/x = L, Q = \dot{q} \times L \times 1$$

Therefore
$$\left(\frac{dT}{dx}\right) = \frac{-\dot{q} \times L \times 1}{k \times 1} = \frac{20 \times 10^6 \times 0.012}{25} = -9600^\circ\text{C/m.}$$

Problem 3.2: Determine in the case of a cylindrical fuel rod of radius 0.012 m, considering other details as in problem 1 (i) the surface temperature (ii) the centre temperature and (iii) the temperature gradient at the surface. The data given are shown in Fig. P3.2.

$$k = 25 \text{ W/mK}, Q = 20 \times 10^6 \text{ W/m}^3$$

$$T_\infty = 200^\circ\text{C}, h = 900 \text{ W/m}^2\text{K.}$$

Solution: (i) To find the surface temperature: Heat generated = heat convected

Therefore $\pi r^2 \times 1 \cdot \dot{q} = 2\pi r \times 1 \cdot h(T_w - T_\infty)$

$$T_w = T_\infty + r\dot{q}/2h$$

$$= 200 + 0.012 \times 20 \times 10^6 / 2 \times 900$$

$$= 333.3^\circ\text{C.}$$

(ii)
$$T_o = T_w + (\dot{q}R^2/4k)$$

$$= 333.3 + \frac{20 \times 10^6 \times 0.012^2}{4 \times 25}$$

$$= 333.3 + 28.8 = 362.1^\circ\text{C}$$

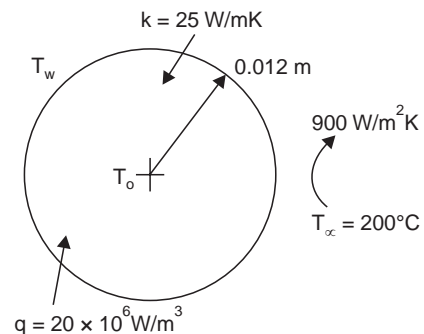


Fig. P. 3.2. Solid cylinder.

(iii) Temperature gradient: $\pi r^2 \times \dot{q} \times 1 = -k \cdot 2\pi r (dT/dr)$

Therefore
$$(dT/dr) = - \frac{0.012 \times 20 \times 10^6}{2 \times 25} = - 4800^\circ\text{C/m.}$$

Problem 3.3: (a) Using other data as in problem 1, determine in the case of a sphere of 0.012 m radius (i) the surface temperature (ii) the centre temperature and (iii) the temperature gradient at the surface. $\dot{q} = 20 \times 10^6 \text{ W/m}^3$, $R = 0.012 \text{ m}$, $k = 25 \text{ W/mK}$, $T_\infty = 200^\circ\text{C}$, $h = 900 \text{ W/m}^2\text{K}$.

(b) Summarise the results of the three problems in a tabular form and comment on the results.

The given data are shown in Fig. P3.3.

Solution: (a) (i). To find the surface temperature, heat generated = heat convected.

$$(4/3)\pi R^3 \dot{q} = 4\pi R^2 \cdot h(T_w - T_\infty)$$

Therefore
$$T_w = T_\infty + (R\dot{q}/3h)$$

$$= 200 + \frac{0.012 \times 20 \times 10^6}{3 \times 900}$$

$$= 288.9^\circ\text{C}$$

(ii)
$$T_o = T_w + (\dot{q}R^2/6k)$$

$$= 288.9 + \frac{20 \times 10^6 \times 0.012^2}{6 \times 25}$$

$$= 288.9 + 19.2$$

Maximum temperature = 308.1°C

(iii) Temperature gradient at the surface

$$Q = -kA dT/dr, \text{ Therefore } (4/3)\pi R^3 \times \dot{q} = -k4\pi R^2 (dT/dr)$$

Therefore
$$(dT/dr) = (-R/3) (\dot{q}/k) = - \frac{0.012 \times 20 \times 10^6}{3 \times 25} = - 3200^\circ\text{C/m}$$

(b). The values are tabulated below for comparison.

Shape	Surface temp. °C	Maximum °C	temp. diff. $\Delta T^\circ\text{C}$	Temp. gradient at surface °C/m
Plate	466.7	524.3	57.6	- 9600
Cylinder	333.3	362.1	28.8	- 4800
Sphere	288.9	308.1	19.2	- 3200

1. The temperature increase is highest in the plate type of geometry and lowest for spherical shape. Discuss Why ?

2. If the total temperature drop is the criterion then either lower values of heat generation or higher values of convection coefficient or smaller linear dimension has to be used.

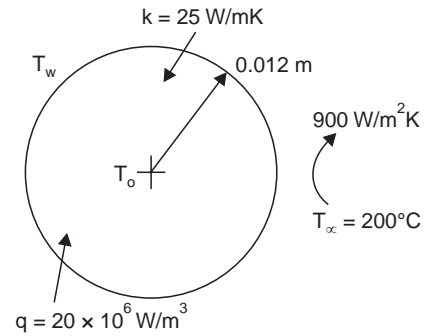


Fig. P. 3.3. Solid sphere.

Problem 3.4: Assuming that the maximum temperature above the fluid temperature to be the same compare, for the same radius, the heat generation rates of cylinder and spherical configurations.

Solution: $(T_o - T_\infty)$ should be the same for both cylinder and sphere.

$$(T_o - T_\infty)_{\text{cyl}} = \frac{\dot{q}_{\text{cyl}}}{4k} R^2 + \frac{\dot{q}_{\text{cyl}} \cdot R}{2h}$$

$$(T_o - T_\infty)_{\text{sp}} = \frac{\dot{q}_{\text{sp}}}{6k} R^2 + \frac{\dot{q}_{\text{sp}} \cdot R}{3h}$$

equating and dividing by \dot{q}_{cyl} and cancelling R

$$\frac{R}{4k} + \frac{1}{2h} = \frac{\dot{q}_{\text{sp}}}{\dot{q}_{\text{cyl}}} \left[\frac{R}{6k} + \frac{1}{3h} \right]$$

$$\therefore \frac{\dot{q}_{\text{sp}}}{\dot{q}_{\text{cyl}}} = \frac{\frac{R}{4k} + \frac{1}{2h}}{\frac{R}{6k} + \frac{1}{3h}} = \frac{9}{4} \frac{2Rh + 4k}{3Rh + 6k}$$

Let $R = 0.012 \text{ m}$, $k = 30 \text{ W/m}^2\text{K}$ and $h = 900 \text{ W/m}^2\text{K}$
and $\dot{q}_{\text{cyl}} = 20 \times 10^6 \text{ W/m}^3$.

$$\frac{\dot{q}_{\text{sp}}}{20 \times 10^6} = \frac{9}{4} \frac{(2 \times 0.012 \times 900) + (4 \times 30)}{(3 \times 0.012 \times 900) + (6 \times 30)} = 1.5$$

\therefore heat generation in the **sphere** for the given condition is $30 \times 10^6 \text{ W/m}^3$.

Problem 3.5: The heat generation rate in a plane wall of 0.24 m thickness is 0.4 MW/m^3 . The wall is exposed on both sides to convection at 30°C .

(a) Determine and compare the maximum temperatures for $k = 25$, $k = 50$, $k = 200$ and $k = 410 \text{ W/mK}$ assuming $h = 250 \text{ W/m}^2\text{K}$.

(b) Determine and compare the maximum temperature for $h = 50$, 250 , 500 and $1000 \text{ W/m}^2\text{K}$ with $k = 25 \text{ W/mK}$.

Solution: (a) In all cases in this part $h = 250 \text{ W/m}^2\text{K}$. Therefore T_w can be found using:
 $1 \times 0.12 \times 4 \times 10^5 = 250 \times 1 (T_w - 30)$

Therefore $T_w = 222^\circ\text{C}$

$$(T_o - T_w) = qL^2/2k. \text{ Therefore for } k = 25, T_o - T_w = 115.2^\circ\text{C}$$

Therefore $T_o = 337.2^\circ\text{C}$.

For other values, similar calculations yield the results in the tabulation.

$k, \text{ W/mK}$	$T_w, ^\circ\text{C}$	$(T_o - T_w), ^\circ\text{C}$	$T_o, ^\circ\text{C}$
25	222	115.2	337.2
50	222	57.6	279.6
200	222	14.4	236.4
410	222	7.0	229.0

- (i) It is obvious that as k increases ΔT decreases in the same ratio.
(ii) The convection resistance is predominant here.
(b) Sample calculation: In this case k is constant at 25 W/mK.

heat generated = heat convected

$$\dot{q} \times L \times 1 = h \times 1 (T_w - T_\infty)$$

Therefore $T_w = T_\infty + \dot{q} L/h$, in the case $h = 50 \text{ W/m}^2\text{K}$,

$$T_w = 30 + \left[\frac{4 \times 10^5 \times 0.12}{50} \right] = 990^\circ\text{C}$$

$$T_o - T_w = (\dot{q}/2k) (L^2) = \frac{4 \times 10^5 \times 0.12^2}{2 \times 25} = 115.2^\circ\text{C},$$

and is constant for all h values.

For $h = 50 \text{ W/m}^2\text{K}$, $T_o = 1105.2^\circ\text{C}$

For other values of h , values are calculated as per the sample and tabulated below.

$h, \text{ W/mK}$	$T_w, ^\circ\text{C}$	$T_o - T_w, ^\circ\text{C}$	$T_o, ^\circ\text{C}$
50	990	115.2	1105.2
250	222	115.2	337.2
500	126	115.2	241.2
1000	78	115.2	193.2

The value of convection coefficient influences the maximum temperature and whenever heat generation is encountered, it is desirable to design for high value of convection coefficient.

Heat generation rate and thickness also play an important role on the value of maximum temperature.

Problem 3.6: A nuclear fuel rod is in the form of solid cylinder. The heat generation rate is 50 MW/m³. The conductivity of the material is 24.2 W/mK. The heat generated is absorbed by a fluid at 200°C. Determine the convective heat transfer required for diameter of

- (i) 25 mm and (ii) 16 mm.

Solution: Using the eqn. 3.15(b)

$$\text{Case 1: } T_o - T_\infty = \frac{\dot{q}R^2}{4k} + \frac{\dot{q}R}{2h}$$

$$360 - 200 = \frac{50 \times 10^6 \times 0.0125^2}{4 \times 24.2} + \frac{50 \times 10^6 \times 0.0125}{2h}$$

Solving $h = 3941 \text{ W/m}^2\text{K}$.

$$\text{Case 2: } 360 - 200 = \frac{50 \times 10^6 \times 0.008^2}{4 \times 24.1} + \frac{50 \times 10^6 \times 0.008}{2h}$$

Solving $h = 1575 \text{ W/m}^2\text{K}$.

Smaller diameter means lower convection coefficient, but the heat generated is also lower.

Problem 3.7: A cylindrical nuclear fuel rod of 25 mm dia solid cylinder is converted to hollow cylinder of 5 mm thickness. If the maximum temperature in the rod should not exceed 360°C when the heat is absorbed on the outside by a fluid at 200°C, determine the convection coefficient required. Conductivity of the material is 24.2 W/mK.

Solution: Equating the volumes with inside radius r_i

$$\pi \times 0.0125^2 \times 1 = \pi \times 1 [(r_i + 0.005)^2 - r_i^2]$$

Solving $r_i = 0.013125 \text{ m}$ and $r_o = 0.018125 \text{ m}$.

Inside is adiabatic. All the heat flows at the outer surface.

Using eqn. 3.20(a)

$$T_{\max} - T_o = (\dot{q}/4k) (r_o^2 - r_i^2) + (\dot{q}/2k) r_i^2 \cdot \ln (r_i/r_o), T_o - \text{Surface temp.}$$

$$\begin{aligned} &= \frac{50 \times 10^6}{4 \times 24.2} (0.018125^2 - 0.013125^2) + \frac{50 \times 10^6}{2 \times 24.2} \cdot 0.013125 \ln \frac{0.013}{0.018} \\ &= 23.26, \end{aligned}$$

$\therefore T_o = 336.24^\circ\text{C}$, as $T_o = 360^\circ\text{C}$

$$Q = hA(336.24 - 200)$$

$$\therefore h = \frac{50 \times 10^6 \times (0.018125^2 - 0.013125^2) \times 1}{0.018125 \times 2 \times 136.24} = 1581.8 \text{ W/m}^2\text{K.}$$

This is better compared to 3940.7 for solid cylinder, Problem 3.6.

Problem 3.8: A nuclear reactor fuel rod of solid cylinder of 25 mm is converted into + shaped form of thickness 6 mm. The heat generation rate is 50 MW/m³. Thermal conductivity is 24.2 W/mK. The heat generated is absorbed by a fluid at 200°C. Determine the convective heat transfer coefficient on the surface.

Assuming B as side length (See Fig)

Solution: $\pi \times 0.0125^2 = B \times 0.006 + (B - 0.006) \cdot 0.006$
 $= B \times 2.0 \times 0.006 - 0.006^2$

Therefore $B = 43.91 \text{ mm}$

The maximum temperature can be found using a slab of 6 mm thickness, $L = 3 \text{ mm}$

$$\begin{aligned} T_o - T_w &= (\dot{q}/2k)L^2 = \frac{50 \times 10^6 \times 0.003^2}{2 \times 24.2} \\ &= 9.3^\circ\text{C} \end{aligned}$$

Therefore $T_w = 360 - 9.3 = 350.7^\circ\text{C}$

$Q = hA (350.7 - 200)$ considering one arm, Assuming unit length

$$Q = 1 \times 0.003 \times 0.04391 \times 50 \times 10^6 = h \times 0.04391 \times (350.7 - 200)$$

Therefore $h = 995.4 \text{ W/m}^2\text{K}$.

This is also a good configuration for heat removal.

The basic requirement is that for a given volume, generating heat, the surface area should be increased to reduce the convection coefficient and maximum temperature.

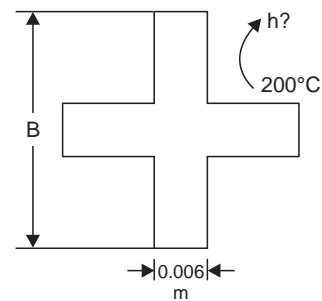


Fig. P. 3.8. Problem model.

Problem 3.9: A nuclear fuel element is in the form of a solid sphere of 12.5 mm radius. Its thermal conductivity is 24.2 W/mK. The heat generation rate is 50×10^6 W/m³. The heat generated is absorbed by a fluid at 200°C. If the maximum temperature is limited to 360°C, determine the convection coefficient required.

Solution: $T_o - T_w = (q/6k) (R^2)$

$$360 - T_w = \frac{50 \times 10^6 \times 0.0125^2}{6 \times 24.2} = 53.8^\circ\text{C}$$

(compare 80.7°C for solid cylinder)

Therefore **surface temperature**

$$= 360 - 53.8 = \mathbf{306.2^\circ\text{C}}$$

Heat generated = heat convected

$$(4/3)R^3 \dot{q}\pi = h \cdot 4\pi R^2 (T_w - T_\infty)$$

$$h = (R/3) q / (T_w - T_\infty)$$

$$= \frac{0.0125}{3} \times \frac{50 \times 10^6}{(306.2 - 200)}$$

$$= \mathbf{1961.7 \text{ W/m}^2\text{K}}$$

Also on the higher side.

Hollow cylinder with inside adiabatic conditions appears to be the one requiring least value of convection coefficient.

Problem 3.10: A wall 40 mm thick has its surfaces maintained at 0°C and 100°C. The heat generation rate is 3.25×10^5 W/m³. If the thermal conductivity of the material is 2 W/mK, determine the temperature at the mid plane, the location and value of the maximum temperature and the heat flow at either end.

The data are shown in Fig. P. 3.10.

Solution: Equation 3.8, 9, 10 are applicable for this problem.

$$T_x = \frac{T_{w2} + T_{w1}}{2} + \frac{T_{w2} + T_{w1}}{2} \cdot (x/L) + (\dot{q}/2k) (L^2 - x^2)$$

$$x_{\max} = (k/2\dot{q}L) (T_{w2} - T_{w1})$$

The temperature at $x = 0$, (mid plane)

$$T_o = \frac{100 + 0}{2} + \frac{100 - 0}{2} \cdot \frac{0}{L} + \frac{3.25 \times 10^5}{2 \times 2} \times 0.02^2$$

$$= 82.5^\circ\text{C}$$

$$x_{\max} = \frac{2}{2 \times 3.25 \times 10^5 \times 0.02} (100 - 0) = \mathbf{0.01538 \text{ m}}$$

(on the right of centre)

$$\text{Therefore } T_{\max} = \frac{100 + 0}{2} + \frac{100 - 0}{2} \cdot \frac{0.01538}{0.02} + \frac{3.25 \times 10^5}{2 \times 2} \times (0.022 - 0.015382)$$

$$= 50 + 38.46 + 13.27 = \mathbf{101.74^\circ\text{C}}$$

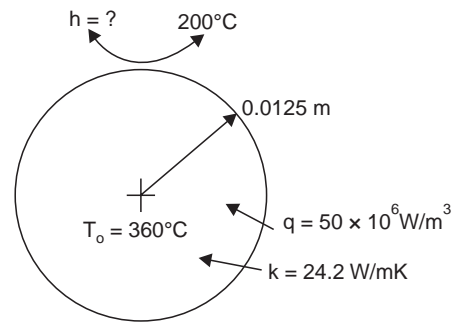


Fig. P. 3.9. Solid Sphere.

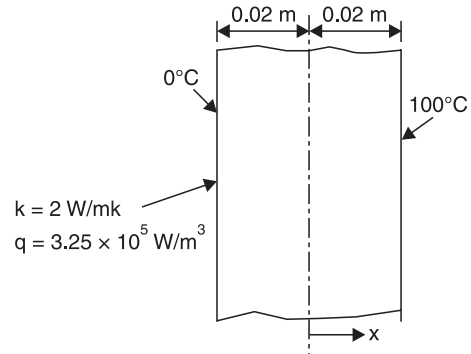


Fig. P. 3.10. Slab with different boundary condition.

heat flow is found either by using $-kA dT/dx$ or by calculation of the heat generated from the maximum temperature plane.

On the 100°C side, $(0.2 - 0.01538) \times q = 1500 \text{ W/m}^2$

On the 0°C side $(0.02 + 0.01538) \quad q = 11500 \text{ W/m}^2$

Total = 13000 W/m²

By differentiating eqn. 3.8

$$T = \frac{T_{w_1} + T_{w_2}}{2} + \frac{\dot{q}}{2k}(L^2 - x^2) + \frac{T_{w_2} - T_{w_1}}{2L} x$$

$$\therefore \frac{dT}{dx} = \left[\frac{T_{w_2} - T_{w_1}}{2L} \right] - \left[\frac{\dot{q}}{k}(x) \right]$$

at $x = 0.02, = -750^\circ\text{C/W}$ Therefore $Q = -2 \times 1 \times -750 = 1500 \text{ W/m}^2$

at $x = -0.02 = 5750^\circ\text{C/W}$ Therefore $Q = 2 \times 5750 = 11500 \text{ W/m}^2$ checks.

There are certain restrictions in this boundary. For example if $(T_{w_2} - T_{w_1}) > (2\dot{q}/k)(L^2)$ then the solution will indicate that the maximum temperature occurs at a distance greater than L .

Problem 3.11: Using numeric methods solve for the temperature for the models shown in Fig. P.3.11(a) and P.3.11(b).

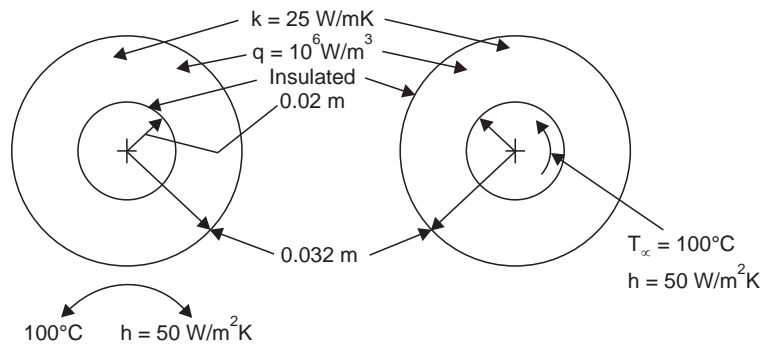


Fig. P. 3.11. (a) Inside Insulated.

Fig. P. 3.11. (b) Outside Insulated

Solution: (a) Consider nodes as indicated (Fig P.3.11(c))

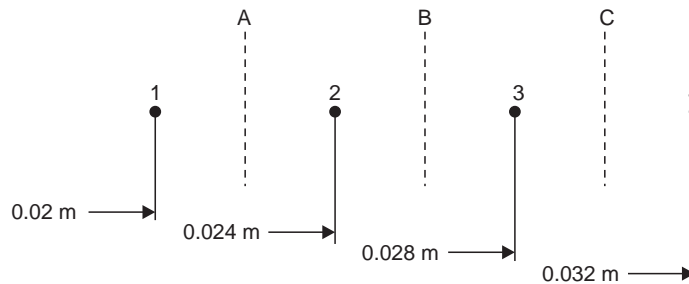


Fig. P. 3.11. (c) Nodes.

T_4 can be determined using heat generated = heat conducted assuming 1 m length,

$$\begin{aligned}\dot{q} \times \pi (0.032^2 - 0.02^2) &= 2\pi rh(T_4 - T_\infty) \\ 10^6 \times (0.0932^2 - 0.02^2) &= 2 \times 0.032 \times 50 (T_4 - 100)\end{aligned}$$

Therefore $T_4 = 295^\circ\text{C}$

Considering the heat flow between node 3 and 4, the heat generated up to plane C is conducted with temperature drop between 3 and 4.

$$\text{Therefore } 10^6 \cdot \pi \times (0.03^2 - 0.02^2) = \frac{25 \times 2 \times 0.03 (T_3 - 295) \pi}{0.004}$$

Therefore $T_3 = 296.33$

$$\text{Similarly } 10^6 \times (0.026^2 - 0.02^2) = \frac{25 \times 2 \times 0.026 (T_2 - 296.33)}{0.004}$$

(Cancelling π on both sides)

Therefore $T_2 = 297.18^\circ\text{C}$

Similarly $10^6 \times (0.022^2 - 0.02^2)$

$$= \frac{25 \times 2 \times 0.022 (T_1 - 297.18)}{0.004} \quad \therefore T_1 = 297.49^\circ\text{C}$$

Therefore $\Delta T = T_1 - T_4 = 2.49^\circ\text{C}$

Check: use equation 3.20

$$\begin{aligned}T_{\max} - T_o &= \frac{10^6}{4 \times 25} (0.032^2 - 0.02^2) + \frac{10^6}{2 \times 25} (0.02^2) \ln (0.02/0.032) \\ &= 6.24 - 3.76 = 2.48^\circ\text{C checks.}\end{aligned}$$

(b) By using similar procedure: **(for outside adiabatic)**

$$10^6 \times (0.032^2 - 0.02^2) = 2 \times 0.02 \times 50 (T_1 - 100) \quad T_1 = 412^\circ\text{C}$$

$$10^6 \times (0.032^2 - 0.022^2) = 2 \times 0.022 \times 25 (T_2 - 412)/0.004, \quad T_2 = 413.96^\circ\text{C}$$

$$10^6 \times (0.032^2 - 0.026^2) = \frac{2 \times 0.026 \times 25 (T_3 - 413.96)}{0.004}, \quad T_3 = 415.03^\circ\text{C}$$

$$10^6 \times (0.032^2 - 0.03^2) = \frac{2 \times 0.03 \times 25 (T_4 - 415.03)}{0.004}, \quad T_4 = 415.36^\circ\text{C}$$

Therefore $\Delta T = T_4 - T_1 = 3.36^\circ\text{C}$

Check: use equation 3.22

$$\begin{aligned}T &= (\dot{q}/2k)(R_o^2) \ln (R_o/R_i) - (\dot{q}/4k)(R_o^2 - R_i^2) \\ &= \frac{10^6}{2 \times 25} \times 0.032^2 \ln (0.032/0.02) - \left[\frac{10^6}{4 \times 25} (0.032^2 - 0.02^2) \right] \\ &= 9.63 - 6.24 = 3.39^\circ\text{C checks.}\end{aligned}$$

Note: The numerical method is a very powerful method.

Problem 3.12: Nuclear fuel rods are to be clad with aluminium or stainless steel or zirconium with melting temperatures in the range of 650°C , 1400°C , and 1800°C . The diameter is 30 mm and the heat generation rate is $7 \times 10^8 \text{ W/m}^3$. The convection on the surface is to a fluid at 100°C with $h = 7000 \text{ W/m}^2\text{K}$. The conductivity of the material is 52 W/mK . At shut down times, coolant may not circulate and the surface temperature may reach the mean between the steady state surface and centre temperature. Check for the material to be used.

The data given are shown in Fig. P.3.12.

Solution: The surface temperature is found using heat generated = heat conducted

$$\pi r^2 \times \dot{q} = h 2\pi r (T_w - T_{\infty})$$

$$0.015 \times 7 \times 10^8 = 2 \times 7000 (T_w - 100)$$

Therefore

$$T_w = 850^{\circ}\text{C}.$$

$$T_o - T_w = (q/4k) R^2$$

$$= \frac{7 \times 10^8 \times 0.015^2}{4 \times 52}$$

$$= 757.2^{\circ}\text{C}$$

Therefore

$$T_o = 1607.2^{\circ}\text{C}$$

$$\text{Mean temperature} = \frac{1607.2 + 850}{2} = 1228.6^{\circ}\text{C}.$$

1. Aluminium cannot be used.
2. To check for stainless steel: mean temp. = 1228°C

Therefore use of stainless steel is risky as it is near 1400°C . Hence Zirconium cladding can be safely used. (look for its exact melting point).

Problem 3.13: A copper cable of 30 mm diameter carries 300A when exposed to air at 30°C with a convection coefficient of $20 \text{ W/m}^2\text{K}$. The resistance is $5 \times 10^{-3} \text{ ohm/m}$. If $k = 395 \text{ W/mK}$, determine the surface and center temperatures.

Solution: Heat generated in 1m length = $I^2 R = 300^2 \times 5 \times 10^{-3} \text{ W} = 450 \text{ W}$

$$\dot{q} = 450/\pi r^2 \times 1 = 450/\pi \times 0.015^2 = 636620 \text{ W/m}^3$$

To find surface temperature:

$$450 = 2\pi \times 0.015 \times 20 (T_w - 30) \quad \text{Therefore } T_w = 268.73^{\circ}\text{C}$$

$$T_o - T_w = \left[\frac{\dot{q} R^2}{4k} \right] = \frac{636620 \times 0.015^2}{4 \times 395} = 0.09^{\circ}\text{C}$$

Therefore **center temperature = 268.82°C .**

The cable is more or less at uniform temperature. This is generally the case with materials of high conductivity and small diameters.

Problem 3.14: In a slab of thickness as shown in Fig. P.3.14 insulated in $x = 0$ plane, heat is generated at any plane as per $\dot{q} = q_o [x/L]$. Determine the temperature distribution, heat flow at any section and the heat flow at the surface.

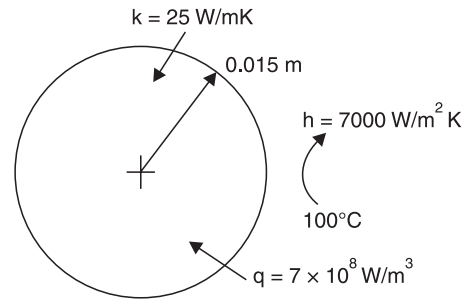


Fig. P. 3.12. Problem model.

Solution: The model is shown in Fig. P.3.14.

The differential equation reduces to (Ref. eqn. 3.1)

$$d^2T/dx^2 = (-q_o/k) (x/L)$$

Integrating: $dT/dx = (-q_o/k) \cdot (x^2/2L) + C_1$
 as $dT/dx = 0$ at $x = 0$, (insulated) $\therefore C_1 = 0$.

Integrating $T = -\frac{q_o}{6kL} (x^3) + C_2$

at $x = L$, $T = T_w$. Therefore $T_w + \left[\frac{q_o}{6kL} \cdot L^3 \right] = C_2$

Therefore $T = \left[\frac{q_o}{6kL} \cdot (L^3 - x^3) \right] + T_w$

or $T - T_w = \left[\frac{q_o}{6kL} \cdot (L^3 - x^3) \right]$... (P.14.1)

The maximum temperature occurs at $x = 0$

Therefore $T_o = T_w + \left[\frac{q_o L^2}{6k} \right]$... (P.14.2)

$$Q = -kA dT/dx = (-k) \cdot \left[\frac{-q_o}{k} \cdot x^2 / 2L \right] = \frac{q_o x^2}{2L} \text{ W/m}^2$$

at the surface, $x = L$, Therefore $Q = \frac{q_o L}{2} \text{ W/m}^2$. As the variation is linear, the average value of heat generation rate between $x = 0$ and $x = L$ i.e. $\frac{0 + q_o L}{2}$.

Problem 3.15: In a slab the heat generation rate at x is given by $\dot{q} = 10^6 e^{-50x} \text{ W/m}^3$ where x is in m . Consider a slab insulated at $x = 0$, and the thickness at which $\dot{q} = 1000 \text{ W}$. Determine the temperature difference between the planes and the heat flow at the surface.

Solution: This variation can be considered as $\dot{q} = q_o e^{-ax}$

(Note: a has a dimension of $1/m$)

Substituting this in the differential equation.

$$(d^2T/dx^2) + (q/k) = 0 \text{ is modified as } \frac{d^2T}{dx^2} + \frac{q_o e^{-ax}}{k} = 0.$$

Integrating it $dT/dx = \left[\frac{q_o}{ka} e^{-ax} + C_1 \right]$

As at $x = 0$, dT/dx

$$\therefore C_1 = \left[\frac{-q_o}{ka} e^{-a \cdot 0} \right] \text{ or } C_1 = \left[\frac{-q_o}{ka} \right]$$

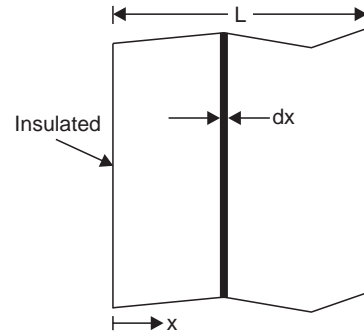


Fig. P. 3.14. Problem model.

Therefore
$$\frac{dT}{dx} = \left[\frac{q_o}{ka} e^{-ax} - \frac{q_o}{ka} \right]$$

Integrating
$$T = \frac{-q_o}{ka^2} \cdot e^{-ax} - \frac{q_o x}{ka} + C_2$$

at $x = L$ $T = T_w$

Therefore \therefore
$$T_w = \frac{-q_o}{ka^2} \cdot e^{-aL} - \frac{q_o L}{ka} + C_2$$

Therefore
$$C_2 = (q_o/ka^2) e^{-aL} + (q_o/ka)(L) + T_w$$

Therefore
$$T = [q_o/ka^2] (e^{-aL} - e^{-ax}) + (q_o/ka) (L - x) + T_w$$

or
$$T - T_w = (q_o/ka^2) (e^{-aL} - e^{-ax}) + (q_o/ka) (L - x) \quad \dots(\text{P.15.1})$$

Maximum temperature occurs at $x = 0$.

$$T_o - T_w = (q_o/ka^2) (e^{-aL} - 1) + (q_o/ka) (L)$$

Heat flow = $-ka \, dT/dx$, dT/dx can be found from eqn. P.15.1.

as
$$dT/dx = (q_o/ka) (e^{-ax}) - (q_o/ka) \quad \dots(\text{P.15.2(a)})$$

Therefore $Q|_{\text{Surface}} = -\frac{q_o}{a} [1 - e^{-aL}] \quad \dots(\text{P.15.2})$

For $q_o = 10^6$, $a = 50$, $k = 15 \text{ W/mK}$.

The thickness is found using the conditions that at $x = L$,

$$\dot{q} = 1000 = q_o e^{-ax} = 10^6 e^{-50x}, \text{ Solving } x = \mathbf{0.1382 \text{ m.}}$$

$$T_o - T_w = (q_o L/ka^2) (e^{-aL} - 1) + (q_o L/ka)$$

$$= \frac{10^6}{15 \times 50^2} \cdot [e^{(-50 \times 0.1382)} - 1] + \left[\frac{10^6}{15 \times 50} \times 0.1382 \right]$$

$$\Delta T = -26.64 + 184.2 = 157.6^\circ\text{C}$$

$$(\text{dt/dx})_{\text{surface}} = \frac{10^6}{15 \times 50} \cdot e^{-50 \times 0.1382} - \frac{10^6}{15 \times 50} \text{ (eqn. (15.2(a)) is used)}$$

$$= 1.33 - 1333.33 = -1332^\circ\text{C/m}$$

Therefore $Q = (-1332) \times (-15) = \mathbf{19980 \text{ W/m}^2}$

Also from eqn. P.15.2, $Q = (q_o/a) (1 - e^{-aL}) = \frac{10^6}{50} (1 - e^{50 \times 0.1382}) = \mathbf{19980 \text{ W}}$.

Problem 3.16: In a plane wall heat flux βq_o enters the wall at $x = 0$. In the wall there is a uniform heat generation $\dot{q} = \dot{q}_o (1 - \beta) \alpha e^{-\alpha x}$. Under steady state conditions all the heat is convected at $x = L$. Determine the temperature distribution, the temperature drop ($T_o - T_L$) and the heat flow at any section as well as at $x = L$.

The model is shown in Fig. P.3.16.

Solution: The differential equation reduces to $(d^2T/dx^2) + (q_o/k) (1 - \beta) \alpha \cdot e^{-\alpha x} = 0$.

Integrating $dT/dx = (q_o/k) (1 - \beta) e^{-\alpha x} + C_1 \quad \dots(1)$

At the boundary at $x = 0$ heat is to be conducted in at βq_o , $A = 1$

$$-kA \frac{dT}{dx} \Big|_{x=0} = \beta q_o$$

Therefore $\frac{dT}{dx}$ at $x = 0$, $= -(\beta q_o/k)$

Therefore $(q_o/k)(1 - \beta)e^{-\alpha \cdot 0} + C_1 = -\beta q_o/k$

Therefore $C_1 = [-(\beta q_o/k) - (q_o/k)]/(1 - \beta) = -q_o/k$.

Therefore $(dT/dx) = (q_o/k)(1 - \beta)e^{-\alpha x} - q_o/k \dots(2)$

Heat flux at any section can be obtained by multiplying this equation by $-k$. Since $(Q/A = -k dT/dx)$

$$\begin{aligned} \text{Therefore } Q/A &= -q_o(1 - \beta)e^{-\alpha x} - q_o \\ &= q_o [1 - (1 - \beta)e^{-\alpha x}] \dots(3) \end{aligned}$$

Integrating eqn. (2),

$$T = (-q_o/k) \frac{(1 - \beta)}{\alpha} e^{-\alpha x} - (q_o x/k) + C_2$$

The boundary condition is at $x = L$, $T = T_w$

$$C_2 = T_w + (q_o/k) \frac{(1 - \beta)}{\alpha} e^{-\alpha L} + (q_o L/k)$$

$$\text{Therefore } T - T_w = (q_o/k) \frac{(1 - \beta)}{\alpha} [e^{-\alpha L} - e^{-\alpha x}] + [q_o/k] \{L - x\} \dots(4)$$

$$\text{and } T_o - T_w = [q_o/k] \frac{(1 - \beta)}{\alpha} [e^{-\alpha L} - 1] + [q_o/k] [L] \dots(5)$$

Note: q_o – W/m², $\alpha = 1/m$, β dimensionless.

The heat flow can also be obtained by integrating the heat generated and adding the flux at $x = 0$

$$\text{Heat generated} = \int_0^L q_o(1 - \beta)\alpha e^{-\alpha x} dx = -q_o(1 - \beta)e^{-\alpha L} + q_o(1 - \beta)$$

$$\text{Heat entering} = \beta q_o \dots(5a)$$

$$\text{Adding, total flow} = q_o [1 - (1 - \beta)e^{-\alpha L}]$$

From equation (3) at $x = L$

$$Q/A = q_o [1 - (1 - \beta)e^{-\alpha L}] \dots(6) \text{ checks.}$$

Problem 3.17 At an instant the temperature distribution in a nuclear fuel rod of 25 mm radius at steady state is given by the equation $T = A - Br^2$ when it was generating heat at a steady state. The properties are $k = 30 \text{ W/mK}$, density $= 1800 \text{ kg/m}^3$, $c = 0.8 \text{ kJ/kgK}$. If $A = 800^\circ\text{C}$ and $B = 4.167 \times 10^5 \text{ }^\circ\text{C/m}^2$ at that condition, determine the heat generation rate/m and also/m³ basis. If the heat generation rate is doubled, determine the initial rate of temperature rise at $r = 0$ and at surface.

Solution: The heat generated can be found by calculating the heat flow at the surface.

$$-kA \left(\frac{dT}{dr} \right) \Big|_{\text{at } (x=R)} = Q$$

$$T = 800 - 4.167 \times 10^5 r^2$$

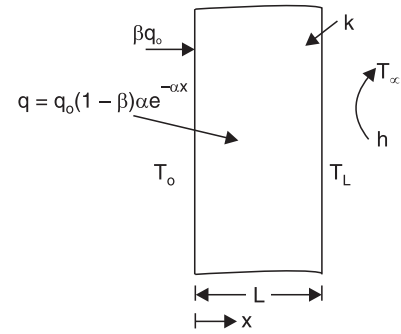


Fig. P. 3.16.

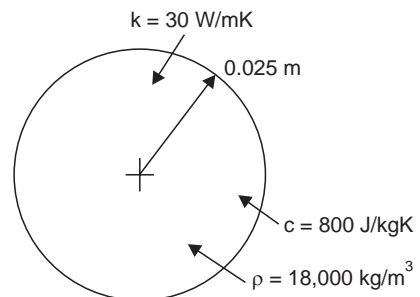


Fig. P. 3.17. Problem model.

Therefore $dT/dr = -4.167 \times 10^5 \times 2r$, $\frac{\partial^2 T}{\partial r^2} = -4.167 \times 10^5 \times 2$

Therefore $Q = -30 \times 2\pi \times 0.025 \times -4.167 \times 10^5 \times 2 \times 0.025$
 $Q = 98182.624 \text{ W/m length}$

The volume is $\pi r^2 \times 1$

Therefore $\dot{q} = 98182.624/\pi \times 0.025 \times 0.025 = 5 \times 10^7 \text{ W/m}^3$

The rate of temperature rise is given by $\partial T/\partial \tau$

The general differential equation under unsteady conditions in cylindrical co-ordinates can be simplified using the given relation as

$$\frac{\partial^2 T}{\partial r^2} + (1/r) \frac{\partial T}{\partial r} + q/k = (\rho c/k) (\partial T/\partial \tau) = \frac{1}{\alpha} \cdot \frac{\partial T}{\partial \tau}$$

$$\frac{\partial^2 T}{\partial r^2} = -2B, \quad \frac{\partial T}{\partial r} = -2Br \quad \text{substituting in the equation}$$

$$-2B + -2Br/r + q/k = \frac{1}{\alpha} (\partial T/\partial \tau)$$

$$\alpha [-4B + q/k] = \partial T/\partial \tau$$

Substituting the values $(\partial T/\partial \tau) = \frac{30}{1800 \times 800} [-4 \times 4.167 \times 10^5 + (10^8/30)] = 34.72^\circ\text{C/s}$

This is irrespective of the radius. But as time proceeds, the rate will change.

Problem 3.18: It is proposed to heat the window glass panes in a living space at 26°C. A company offers resistance embedded glasses with uniform heat generation. The outside is at -15°C, and the convection coefficient on the outside is 20 W/m²K. The pane is 8mm thick and has a conductivity of 1.4 W/mK. What should be heat generation rate if the inside surface temperature is equal to the room temperature.

The data are presented in Fig. P.3.18.

Solution: The heat generated = heat convected

There is no heat flow on the inner surface

$$\dot{q}L = (T - T_\infty) hA, \text{ but } T = 26 - \dot{q}L^2/2k$$

Therefore $\dot{q}L \cdot 1 = (26 - \dot{q}L^2/2k - T_\infty) h \cdot 1.$

$$\dot{q} \times 0.008 = 20 \times 1 \times \left[26 - \frac{\dot{q} \times 0.008^2}{2 \times 1.4} - (-15) \right]$$

$$\dot{q} \times 0.008 = 20 [41 - 2.28 \times 10^{-5} \dot{q}]$$

$$8.457 \times 10^{-3} \times \dot{q} = 20 \times 41$$

Therefore $\dot{q} = 97 \text{ kW/m}^3$

For the pane: 1m² basis: 775.7 W/m²

The surface temperature, T is found using heat generated Fig. 3.18: $Q = hA(\Delta T)$

$$775.7 = 20(T - (-15))$$

Therefore **$T = 23.785^\circ\text{C}$**

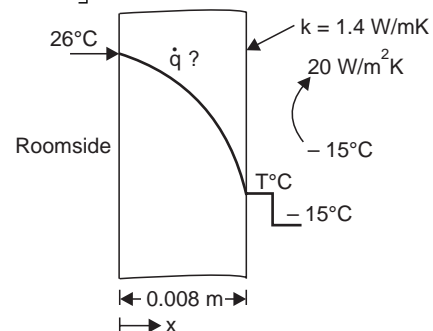


Fig. P. 3.18.

This arrangement reduces surface condensation, and better comfort as the radiation from body to the glass is reduced, but it is expensive.

Problem 3.19: In the problem 3.18 if the outside surface temperature can be adjusted to be 4°C and if the heat generation rate is reduced to $1/4$ th the value, determine the heat loss from the room air. Also find the convection coefficient that has to exist inside the room.

Solution: The total heat loss is now known by using

$$Q = hA(T - T_{\infty}) = 20 \times 1 \times [(4 - (-15))] = 380 \text{ W}$$

The heat generation rate now is $775.7/4 \text{ W/m}^2 = 193.925 \text{ W}$

Therefore heat from room air = 186.075 W

Present heat generation rate, $q = 97 \times 1000/4 = 24250 \text{ W/m}^3$

Therefore inside surface temperature: $4 + \left[\frac{24250}{2 \times 1.4} \times 0.008^2 \right] = 4.6^{\circ}\text{C}$

Therefore $h_i(26 - 4.6) = 186.075$

$$h_i = 8.7 \text{ W/m}^2\text{K.}$$

The heat loss is reduced but occupants will feel chilled by radiation to 4.6°C .

Problem 3.20: Compare the temperatures at the centre line for circular rods with heat generation rate of 50 MW/m^3 , when exposed to a fluid at 150°C with a convection coefficient of $1000 \text{ W/m}^2\text{K}$. The conductivity is 25 W/mK . Take $r = 0.025, 0.05, 0.1$ and 0.2 .

Solution: First the surface temperatures are to be found using

$$Q = hA(T_w - T_{\infty}) \quad Q = \pi r^2 l \times \dot{q} \quad A = 2\pi r \times l$$

$$\pi r^2 q / h 2\pi r \times l = (T_w - T_{\infty})$$

Therefore $T_w = (\dot{q}r/2h) + T_{\infty}$

$r, \text{ m}$	$T_w, ^{\circ}\text{C}$	$T_o, ^{\circ}\text{C}$
0.025 m	775 $^{\circ}\text{C}$	1087.5 $^{\circ}\text{C}$
0.05 m	1400 $^{\circ}\text{C}$	2650 $^{\circ}\text{C}$
0.1 m	2650 $^{\circ}\text{C}$	7650 $^{\circ}\text{C}$
0.2 m	5150 $^{\circ}\text{C}$	25150 $^{\circ}\text{C}$

$T_o - T_w = (q/4k)r^2$. Therefore $T_o = T_w + (q/4k)r^2$ is used in the above. This problem is to illustrate the rapid rate of increase in the value of maximum temperature with radius for the same convection condition and heat generation rate.

Problem 3.21: A fuse wire of diameter 2 mm with a resistivity of 5 micro ohm cm is to be used in a circuit. The convection coefficient to surroundings at 30°C is $6 \text{ W/m}^2\text{K}$. If the wire melts at 800°C , determine the rating. Thermal conductivity = 357 W/mK .

Solution: The resistance for 1 m length is found using $R = \rho \frac{L}{A}$ where ρ is the resistivity, L is the length in cm and A is the area in cm^2

$$R = \frac{5 \times 10^{-6} \times 100}{\pi \times 0.1^2} = 0.016 \text{ ohm}$$

Heat convected = $hA \Delta T = 6 \times \pi \times 0.002 \times 1 (800 - 30) = 29.03 \text{ W}$

This is equal to $l^2 R$. Therefore $l = 42.7$ amps

Heat generation rate $q = 29.03/V = 29.03/\pi \times r^2 \times l$ (V-Volume)
 $= 9.24 \times 10^6$ W/m³

$$T_o - T_w = qR^2/4k = 0.0065^\circ\text{C} \quad (R - \text{radius here})$$

When radius is small, the whole wire is at near uniform temperature.

OBJECTIVE QUESTIONS

Choose the Correct Statement or Statements

- (i) In a slab generating heat uniformly and at steady state convecting equally on both sides, the temperature gradient will
- flatten out as the distance from the centre increases
 - become steeper as the distance from the centre increases
 - will remain constant
 - can be any of (a), (b) or (c) depending the heat generation rate.
- (ii) For the same linear size (*i.e.* L , r) and heat generation rate, the temperature drop from centre to surface is highest in
- spherical shape
 - plate shape
 - cylindrical shape
 - rod of square section.
- (iii) The temperature drop in a heat generating solid under steady state conduction depends to a greater extent on
- linear dimension
 - thermal conductivity
 - heat generation rate
 - convection coefficient at the surface.
- (iv) The most effective way to reduce the temperature drop in a heat generating solid is to
- reduce the linear dimension
 - reduce the thermal conductivity
 - reduce the convection coefficient on the surface
 - reduce the heat generation rate.
- (v) The thermal gradient in a heat generating cylinder under steady conduction, at half the radius location will be
- One half of that at surface
 - One fourth of that at surface
 - Twice that at surface
 - Four times that at surface.
- (vi) In a sphere under steady state conduction with uniform heat generation, the temperature gradient at half the radius location will be
- one half of that at the surface
 - one fourth of that at the surface
 - one eight of that at the surface
 - 2 times of that at the surface.

Answers: (i) b, (ii) b, (iii) a, (iv) a, (v) a, (vi) a.

EXERCISE PROBLEMS

- 3.1** An exothermic reaction in a slab of material generates heat uniformly at a rate of 2×10^6 W/m³. The material has a thermal conductivity of 6.5 W/mK and the thickness is 80 mm. The slab is

- exposed on both sides. If the surface is maintained at 150°C by convection, determine the centre temperature. Also determine the value of convection coefficient if heat is extracted by fluid at 100°C. (396°C, 1600 W/m²K)
- 3.2 An exothermic reaction takes place in a long cylinder of radius 40 mm with a thermal conductivity of 6.5 W/mK which leads to the generation of heat uniformly in the volume. If the allowed temperature difference between the surface and the centre is 246°C, determine the heat generation rate possible. Also find the required value of convection coefficient to dissipate the heat to a fluid at 100°C, with the surface temperature to be at 150°C. (4×10^6 W/m³, 1600 W/m²K)
- 3.3 Heat is generated uniformly by chemical reaction in a sphere of radius 40 mm. The conductivity of the material is 6.5 W/mK. If the allowable temperature rise at the centre over the surface is 246°C, determine the heat generation rate. If the surface temperature is 150°C and if a fluid at 100°C is used to collect the heat, determine the required value of convection coefficient. (6×10^6 W/m³, 1600 W/m²K).
- 3.4 In a slab of thickness 0.1 m, insulated on one face heat is generated as per the rate $\dot{q} = 10^6 \times \cos \frac{\pi x}{0.2}$ where x is the distance in m from the insulated face. If the centre temperature is not to exceed 150°C and the thermal conductivity of the material is 52 W/mK, determine the surface temperature. Also find the heat transfer rate at the surface and the convection coefficient required to dissipate the heat to a fluid at 40°C. (72°C, 63622 W, 989 W/m²K).
- 3.5 Heat generation in a cylinder of radius 0.04 m is non-uniform and varies with the radius r by the relation $q = q_o(1 - cr)$ where c is a constant having a unit of $1/m$. The conductivity of the material is 12 W/mK. If $c = 20/m$. $q_o = 10^6$ W/m³ and if the centre temperature is to be 170°C, determine the temperature at which the surface should be maintained. Also find the heat flow rate at the surface and the convection coefficient required to maintain the temperature if the heat is extracted by fluid at 60°C.
- $$[T - T_w = (q_o/4k)(R^2 - r^2) - (q_o/9kR)(R^3 - r^3), 148.5^\circ\text{C}, 2346 \text{ W/m}^2, 105.5 \text{ W/m}^2\text{K}]$$
- 3.6 In a sphere of radius R , the heat generation rate varies with the radius r as $q = q_o[1 - (r/R)^2]$. If the thermal conductivity is k , derive the expression for the temperature variation with radius.
- $$[T - T_w = (q_o/6k)(R^2 - r^2) - (q_o/20kR^2)(R^4 - r^4)]$$
- 3.7 In problem 6, if $q_o = 1 \times 10^6$, $R = 0.04$, $k = 12$ and if the centre temperature is 170°C, determine the surface temperature. Also find the heat flow rate at the surface. Also find the value of h if the fluid extracting heat is at 60°C. (154.4°C, 107.2 W, 56 W/Km²)
- 3.8 It is proposed to generate power in a nuclear installation at the rate of 100 MW/m³ of fuel. The fuel has a thermal conductivity of 25 W/mK. Each fuel element has a sectional area of 20 cm². The convection coefficient has a value of 200 W/m²K. The heat extraction is at 200°C. Compare the maximum temperatures of solid cylinder and hollow cylinder of 10 mm thickness with heat extraction from the outside surface.
- 3.9 A plate of 0.1 m thickness insulated on one side and generating heat uniformly has to have the maximum temperature gradient limited to 1000°C/m to avoid thermal distortion. If the thermal conductivity of the material has a value of 200 W/mK, determine the maximum heat generation rate. Also find the centre temperature if the surface is at 100°C. (2×10^6 W/m³, 150°C)
- 3.10 A cylinder of radius 0.2 m generates heat uniformly at 2×10^6 W/m³. If the thermal conductivity of the material has a value of 200 W/mK, determine the maximum temperature gradient. Also find the centre temperature if the surface is at 100°C. What is the value of heat flux at the surface and heat flux per m length. (2000°C/m, 20°C, 2×10^5 W/m², 2.5×10^5 W/m length)
- 3.11 A slab generating heat at the rate of 3.8×10^6 W/m³ is 30 mm thick and has its surfaces maintained at 100°C and 300°C. The thermal conductivity of the material is 1.24 W/mK. Determine the location and the value of maximum temperature. Also find the temperature at the mid point. (2.2 mm from centre, 566°C, 544.8°C)

- 3.12** The heat generation rate in a solid cylinder of radius R varies as $q_o e^{-ar}$. Derive an expression for the temperature distribution.
- 3.13** A slab of 0.10 m thickness generating heat uniformly at $2 \times 10^6 \text{ W/m}^3$ has a thermal conductivity of $25 \text{ W/m}^\circ\text{C}$. On both sides a layer of stainless steel of 5 mm thickness with $k = 12.5 \text{ W/mK}$ is laid to protect the surface. The outside wall of the stainless steel is exposed to a fluid at 210°C with a convection coefficient of $500 \text{ W/m}^2\text{K}$. Determine the centre temperature and also the temperature on both sides of the stainless steel plate. Compare the temperature gradients at the surface of the heat generating wall and also the stainless steel material.
- 3.14** A cylindrical rod generating heat at a rate of $2 \times 10^6 \text{ W/m}^3$ and having a radius of 0.05 m has a thermal conductivity of 25 W/mK . It is clad with stainless steel layer of 5 mm thickness with a conductivity of 12.5 W/mK and the surface is exposed to fluids at 210°C with a convection coefficient of $500 \text{ W/m}^2\text{K}$. Determine the centre temperature, heat transfer rate at the surface and all surface temperatures. Calculate also the temperature gradients at the interface for both materials.
- 3.15** A heat generating wall of 0.1 m thickness with a heat generation rate of 5 MW/m^3 is of material with a conductivity of 25 W/mK is exposed on both sides to convection as well as radiation to surroundings at 100°C . The convection coefficient is $200 \text{ W/m}^2\text{K}$. Determine the centre and surface temperatures.
- 3.16** A concrete dam of thickness 15 m, having a thermal conductivity of 5 W/mK has heat generation due to the setting of cement at a rate of 20 W/m^3 . The surfaces are at 20°C . Determine the centre temperature (132.5°C).
- Note:** Concrete is laid after chilling the aggregate and cooling is also done for some period of time when laying a large volume of concrete).
- 3.17** Using numerical method solve for the centre temperature in the case of a slab of 0.1 m thickness exposed on both sides to convection to fluid at 180°C with $h = 200 \text{ W/m}^2\text{K}$. The conductivity of the material is 25 W/mK . The heat generation rate is 2 MW/m^3 .
- 3.18** Solve problem 18 for a cylinder of radius 0.05 m.
- 3.19** Solve problem 18 for a sphere of radius 0.05 m.
- 3.20** A computer chip made of silicon and of thickness 4 mm has a heat generation rate of $1.7 \times 10^6 \text{ W/m}^3$. (This is equal to 1W for a chip of $4 \text{ mm} \times 10 \text{ mm} \times 15 \text{ mm}$). The chip is exposed to cold air on one side at 20°C with a convection coefficient of $25 \text{ W/m}^2\text{K}$. Determine the centre temperature. (The other side may be assumed to be insulated). $k = 95 \text{ W/mK}$.
- 3.21** The heat generation in a wall varies as $q_x = q_o \cos ax$, where q_o is the heat generation at $x = 0$. a is a constant with unit $\frac{1}{m}$. The wall thickness is L and the wall is insulated at $x = 0$. The surface temperature is T_w . Derive an expression for the heat flux at the wall surface.
- 3.22** An aluminium cable of diameter 30 mm carries an electrical current of 250 A. The thermal conductivity is 200 W/mK . The electrical resistivity is $3\mu\Omega \text{ cm}$. Calculate the temperature drop for the cable (note: Resistance in ohm = Resistivity \times length/area).
- 3.23** Derive an expression for the temperature distribution in a hollow cylinder with heat source which varies as $\dot{q} = a + br$ when \dot{q} is the generation rate per unit volume at radius r . The boundary conditions are $T = T_i$ at $r = r_i$ and $T = T_o$ at $r = r_o$.

4

HEAT TRANSFER WITH EXTENDED SURFACES (FINS)

4.0 INTRODUCTION

There are numerous situations where heat is to be transferred between a fluid and a surface. In such cases the heat flow depends on three factors namely (i) area of the surface (ii) Temperature difference and (iii) the convective heat transfer coefficient.

The base surface area is limited by design of the system. The temperature difference depends on the process and cannot be altered. The only choice appears to be the convection heat transfer coefficient and this also cannot be increased beyond a certain value. Any such increase will be at the expense of power for fans or pumps. Thus the possible option is to increase the base area by the so called extended surfaces or fins. The situation is depicted in Fig. 4.1. The fins extend from the base surface and provide additional convection area for the heat conducted into the fin at the base. Fins are thus used whenever the available surface area is found insufficient to transfer the required quantity of heat with the available temperature difference and heat transfer coefficient. In the case of fins the direction of heat transfer by convection is perpendicular to the direction of conduction flow. The conduction in fins is considered to be one dimensional though it is essentially two dimensional. This is acceptable as the length along the fin is much larger to the transverse length. The process of heat transfer with fins is often termed as combined conduction convection systems.

Common examples of the use of extended surfaces are in cylinder heads of air cooled engines and compressors and on electric motor bodies. In air conditioners and radiator tubes with circumferential fins are used to increase the heat flow. Electronic chips cannot function without use of fins to dissipate the heat generated. Several shapes of fins are in use. These are (i) Plate fins of constant sectional area (ii) Plate fins of variable sectional area (iii) Annular or circumferential fins constant thickness (iv) Annular fins of variable thickness (v) Pin fins of constant sectional area and (vi) Pin fins of variable sectional area. Some of these are shown in Fig. 4.1.

The main aim of the study is to design fins to optimise the use of a given amount of material to maximise heat transfer. For this purpose it will be desirable that the fin surface temperature is closer to the base surface temperature. This can be achieved by the use of materials of high thermal conductivity like copper or aluminium. In terms of weight and ease of lubrication aluminium will score over copper though its thermal conductivity will be lower. It will be shown later that there are limitations about the length of the fin in terms of effectiveness of the material used. In order to increase the area for a given volume, thinner fins should be chosen. Fins are found more valuable when the convective heat transfer coefficient is low. This is the case in the case of gas flow and natural convection and fins are more commonly used in these cases.

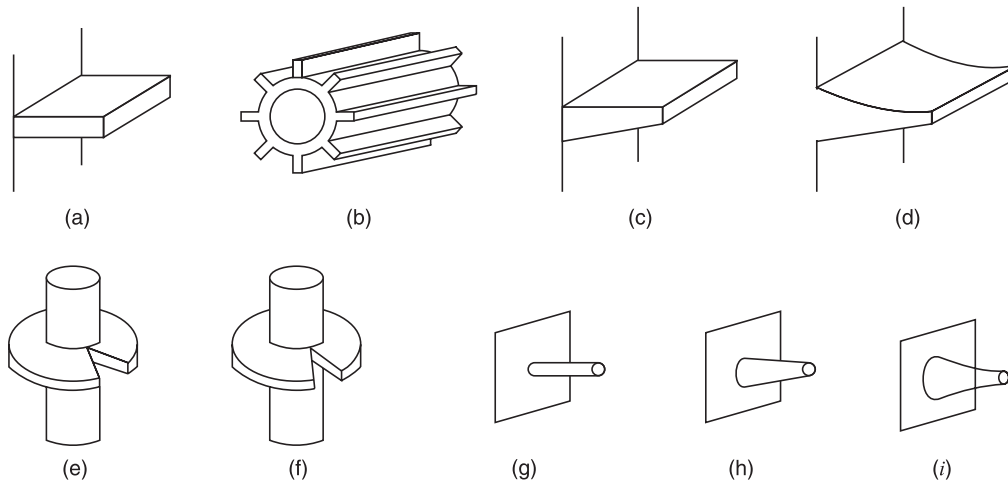


Fig. 4.1. Schematic Diagrams of Different Types of Fins: (a) Longitudinal Fin of Rectangular Profile; (b) Cylindrical Tube with Fins of Rectangular Profile; (c) Longitudinal Fin of Trapezoidal Profile; (d) Longitudinal Fin of Parabolic Profile; (e) Cylindrical Tube with Radial Fin of Rectangular Profile; (f) Cylindrical Tube with Radial Fin of Truncated Conical Profile; (g) Cylindrical Pin Fin; (h) Truncated Conical Spine; (i) Parabolic Spine.

Pin fins of constant cross-section are chosen first for analysis in order to make the analysis tractable. Four boundary conditions are analysed. In order to calculate the heat flow it is necessary first to obtain expression for temperature variation along the fin. This will lead to the calculation of temperature gradient at the base and heat flow. In the case of circumferential and variable area pin fins, the formulation is more complex. These are designed using charts plotting efficiency against physical parameters. As in more and more applications circumferential fins are used, learning the use of the charts is more valuable.

4.1 FIN MODEL

A simplified model for the analysis of heat transfer with extended surfaces is shown in Fig. 4.2. The area of cross section is assumed to be constant along the heat flow direction (variable area will be discussed later). The surface area of the slab from which heat is to be dissipated to the fluid surrounding it is extended by a fin on it. Heat is transferred from the surface to the fin at its base by conduction. This heat is convected to the surrounding fluid over the fin surface (it may be radiated also). The energy balance under steady conditions for the fin will yield

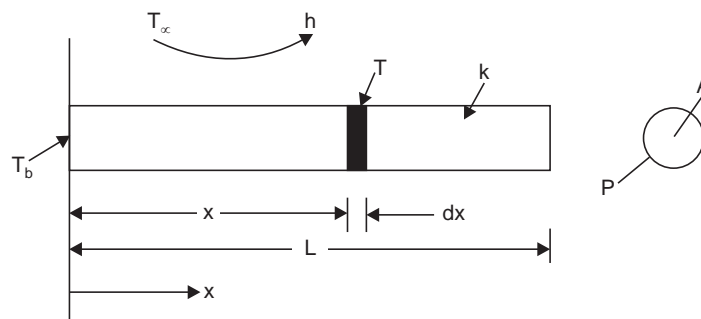


Fig. 4.2. Pin fin.

heat conducted in at the base – heat convected over the fin surface upto the section x .
 = heat conducted out at the section x into the remaining fin material.

The process indicates that the temperature continuously varies along the length and the heat flow also varies along the length. The main quantities required to be calculated are (i) the temperature along the length and (ii) the total heat flow.

4.2 TEMPERATURE CALCULATION

The parameters involved in the analysis are:

- T_b — the base temperature, T_∞ —the fluid temperature,
- k — thermal conductivity of the material, (considered as constant)
- h — Convective heat transfer coefficient,
- A — the sectional area perpendicular to the heat flow direction and
- P — perimeter exposed to the fluid, direction of convection.

The analysis can be done by considering the energy balance for a small elemental volume at a distance x as shown in Fig. 4.3.

The heat balance under steady conditions gives

heat conducted in at section x (1, 2) — heat conducted out at section $x + dx$ (3, 4)

— heat convected over the surface of the element = 0

$$-kA (dT/dx) - (-kA dT/dx + (d/dx) (-kA dT/dx) dx) - hP dx (T - T_\infty) = 0 \quad \dots(4.1)$$

assuming k and A are constant and not influenced by temperature or location and $P dx$ is the surface area for convection

$$d^2T/dx^2 - (hP/kA) (T - T_\infty) = 0 \quad \dots(4.2)$$

In order to solve the equation, a new variable θ is introduced.

$$\theta = T - T_\infty, d^2T/dx^2 = d^2\theta/dx^2$$

Also a variable m is defined as $\sqrt{(hP/kA)}$

The equation reduces to $d^2\theta/dx^2 - m^2\theta = 0$

$$\dots(4.3)$$

The general solution for the equation is $\theta = C_1 e^{mx} + C_2 e^{-mx} \quad \dots(4.4)$

The constant C_1 and C_2 are determined using the boundary conditions. There are four possible sets of boundary conditions, each giving a different set of values to C_1 and C_2 . These boundary conditions and the solution for temperature distribution for each case is shown in Table 4.1.

Case 1: Long fin configuration:

(i) $x \rightarrow \infty, \theta = 0$

(ii) $x = 0, \theta = T_b - T_\infty$

$$\theta = C_1 e^{mx} + C_2 e^{-mx}.$$

From first boundary condition, $C_1 = 0$ as otherwise θ will become infinite which is not possible.

$$\therefore \theta = C_2 e^{-mx}, \text{ at } x = 0, \theta = T_b - T_\infty$$

$$T_b - T_\infty = C_2 e^{-m \cdot 0} = C_2.$$

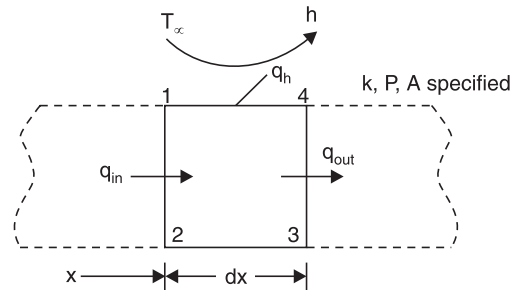


Fig. 4.3.

$$\therefore \frac{\theta}{\theta_o} = \frac{T - T_\infty}{T_b - T_\infty} = e^{-mx} \quad \dots(4.5)$$

In this case the variation of temperature is exponential.

A question arises as to what should be the limiting length for this equation to apply. Assuming that the temperature ratio $(T - T_\infty)/(T_o - T_\infty) = 0.01$, the corresponding **value of mL**

= **4.6**. Hence as long as $L = 4.6/m = 4.6 \left(\frac{kA}{hP} \right)^{1/2}$ this equation can be applied without significant error.

Case 2. Short fin end insulated:

At $x = 0$, $\theta = \theta_o = T_b - T_\infty$, At $x = L$, $\frac{d\theta}{dx} = 0$ as the surface is insulated. From the first condition, $\theta = C_1 e^{mx} + C_2 e^{-mx}$ leads to

$$\therefore \theta_o = C_1 + C_2 \quad \dots(1)$$

$$\left. \frac{d\theta}{dx} \right|_L = m(-C_1 e^{mL} + C_2 e^{-mL}) = 0 \quad \dots(2)$$

$$\therefore C_1 e^{mL} = C_2 e^{-mL} \quad \text{or} \quad C_2 = C_1 e^{2mL} \quad \dots(3)$$

using eqn. (1) $\theta_o = C_1 + C_1 e^{2mL} \quad \text{or} \quad C_1 = \frac{\theta_o}{1 + e^{2mL}}$

using eqn. (3)

$$\therefore C_2 = \frac{\theta_o}{1 + e^{2mL}} \cdot e^{2mL} = \frac{\theta_o}{1 + e^{-2mL}}$$

$$\begin{aligned} \therefore \frac{\theta}{\theta_o} &= \frac{e^{mx}}{1 + e^{2mL}} + \frac{e^{-mx}}{1 + e^{-2mL}} \\ &= \frac{e^{mx} e^{-mL}}{e^{-mL} + e^{mL}} + \frac{e^{-mx} \cdot e^{mL}}{e^{-mL} + e^{mL}} = \frac{e^{-m(L-x)} \cdot e^{m(L-x)}}{e^{-mL} + e^{mL}} \end{aligned}$$

$$\frac{T - T_\infty}{T_b - T_\infty} = \frac{\cosh m(L-x)}{\cosh mL} \quad \dots(4.6)$$

In this case the heat convected at the tip is neglected. The error due to this can be reduced by increasing the length by ΔL equal to $t/2$ where the thickness of the fin is t . In the case of circular fins $\Delta L = D/4$.

The temperature ratio at the tip is

$$\frac{T_L - T_\infty}{T_o - T_\infty} = \frac{1}{\cosh mL} \quad \dots(4.7)$$

Case 3. Short fin with convection, h_L at the tip.

The boundary conditions are

$$\text{at } x = 0, \quad \theta = \theta_o, \quad \text{at } x = L, \quad -kA \left. \frac{dT}{dx} \right|_L = h_L A (T_L - T_\infty)$$

The algebra is more involved. The resulting equation is

$$\frac{T - T_\infty}{T_b - T_\infty} = \frac{\cosh m(L - x) + \frac{h_L}{mk} \sinh m(L - x)}{\cosh mL + \frac{h_L}{mk} \sinh mL} \quad \dots(4.8)$$

At the tip, the temperature ratio is

$$\frac{T_L - T_\infty}{T_b - T_\infty} = \frac{1}{\cosh mL + \frac{h_L}{mk} \sinh mL} \quad \dots(4.9)$$

Eqn. 4.6 can be obtained from eqn. 4.8 with $h_L = 0$.

Case 4. Specified end temperatures.

At $x = 0$, $\theta = T_{b1} - T_\infty$ where T_{b1} is the temperature at end 1

At $x = L$, $\theta = T_{b2} - T_\infty$ where T_{b2} is the temperature at end 2.

In this case also the algebra is involved. The resulting solution is

$$\frac{T - T_\infty}{T_{b1} - T_\infty} = \frac{[(T_{b2} - T_\infty) / (T_{b1} - T_\infty)] \sinh mx + \sinh m(L - x)}{\sinh mL} \quad \dots(4.10)$$

The boundary conditions and solutions are given in Table 4.1.

Table 4.1. Temperature distribution in constant area fins for different boundary conditions, $m = \sqrt{hP/kA}$

<i>Boundary condition and general nomenclature</i>	<i>Temperature distribution</i>
1. Long fin $x = 0, \theta = T_o - T_\infty$	$(T - T_\infty)/(T_o - T_\infty) = e^{-mx}$... (4.5)
2. Short fin end insulated (length L) $x = 0, \theta = T_o - T_\infty$ $x = L, dT/dx = 0$	$\frac{T - T_\infty}{T_o - T_\infty} = \frac{\cosh m(L - x)}{\cosh (mL)}$... (4.6)
3. Short fin (convection at the tip h_L, considered), $x = 0, \theta = T_o - T_\infty$ $x = L, (-kA dT/dx) L = h_L A(T_L - T_\infty)$	$\frac{T - T_\infty}{T_o - T_\infty} = \frac{\cosh m(L - x) + \left(\frac{h_L}{mk}\right) \sinh m(L - x)}{\cosh (mL) + \left(\frac{h_L}{mk}\right) \sinh mL}$... (4.8)
4. Fixed end temperature $x = 0, \theta = T_{o1} - T_\infty$ $x = L, \theta = T_{o2} - T_\infty$	$\frac{T - T_\infty}{T_{b1} - T_\infty} = \frac{[(T_{b2} - T_\infty) / (T_{b1} - T_\infty)] \sinh (mx) + \sinh m(L - x)}{\sinh (mL)}$... (4.10)

The first three examples illustrate the difference between the first three end conditions for similar a fins at similar surroundings.

Example 4.1: A long rod 12 mm square section made of low carbon steel protrudes into air at 35°C from a furnace wall at 200°C. The convective heat transfer coefficient is estimated at 22 W/m²K. The conductivity of the material is 51.9 W/mK. Determine the location from the wall at which the temperature will be 60°C. Also calculate the temperature at 80 mm from base.

The data are shown on Fig. 4.4.

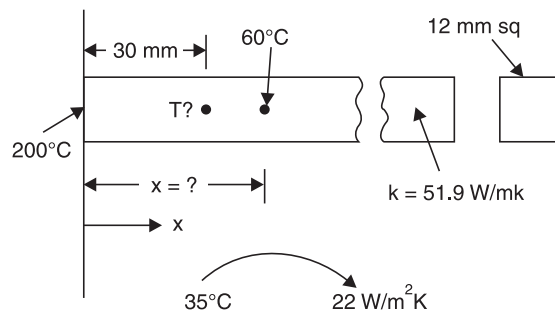


Fig. 4.4. Problem model.

Solution: The long fin model will suit the problem situation.

$$\frac{T - T_{\infty}}{T_b - T_{\infty}} = \frac{60 - 35}{200 - 35} = e^{-mx}$$

The distance x is to be calculated:

$$\begin{aligned} m &= \sqrt{hP/kA} = \sqrt{(22 \times 4 \times 0.012 / 51.9 \times 0.012 \times 0.012)} \\ &= 11.89, \frac{1}{m} \end{aligned}$$

Taking logarithm and solving $x = 0.159$ m or 159 mm.

Temperature at 80 mm: $(T - 35)/(200 - 35) = e^{-11.89 \times 0.08} \quad \therefore T = 98.74^{\circ}\text{C}$.

Example 4.2: In the example 4.1 if the length of the rod is 159 mm. Determine the end temperature. Also find the temperature at 80 mm distance. All the data in example 4.1 are used as such, except that the length is 159 mm and end insulated (or heat convected at the tip is negligible). The temperature distribution is given by

$$\frac{T - T_{\infty}}{T_b - T_{\infty}} = \frac{\cosh m(L - x)}{\cosh mL} \quad m \text{ (from example 1) } = 11.89$$

To find end temperature $x = L$.

$$\frac{T_L - 35}{200 - 35} = \frac{1}{\cosh (11.89 \times 0.159)} = 0.295 T_L = 83.72^{\circ}\text{C}$$

(compare with that of long fin at this location, 60°C)

Temperature at 80 mm (or 0.08 m)

$$\frac{T - 35}{200 - 35} = \frac{\cosh 11.89 (0.159 - 0.08)}{\cosh (11.89 \times 0.159)} = 0.4354 \quad \therefore \quad \mathbf{T = 106.84^{\circ}\text{C}}$$

(compare at the same location in long fin, 98.74°C).

Example 4.3. In the example 4.1, consider the fin to be 80 mm long and end face convection also exists. Determine the end temperature.

Solution: This problem model is the short fin situation.

$$\frac{T - T_{\infty}}{T_b - T_{\infty}} = \frac{\cosh m(L - x) + (h_L/km) \sinh m(L - x)}{\cosh (mL) + (h_L/km) \sinh mL}$$

as $x = L$ this reduces to

$$\frac{T_L - 35}{200 - 35} = \frac{1}{\cosh (11.89 \times 0.08) + (22 / (51.9 \times 11.89)) \sinh (11.89 \times 0.08)}$$

$$\mathbf{T_L = 143.1^{\circ}\text{C}}$$

The plot of temperature along the length is shown in Fig. 4.5.

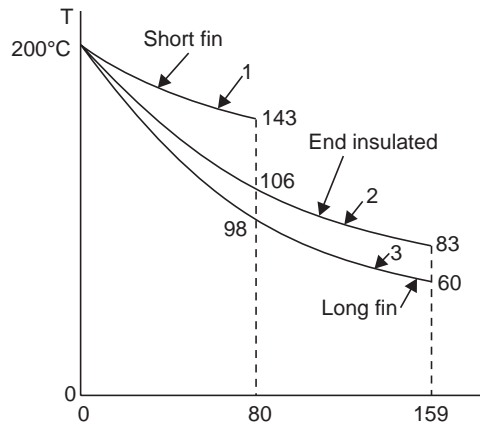


Fig. 4.5. Temperature variation along fins of different boundary.

The heat flow in these cases will be discussed in examples 4.4, 5 and 6.

4.3 HEAT FLOW CALCULATION

Referring to Fig. 4.2, the following two methods can be used to determine the heat flow

(i) All the heat has to come into the fin at the base by conduction or (ii) the total heat flow into the fin is the sum of heat convected over the surface of the fin.

Both methods lead to the same expression.

Using the first method fin **long fin boundary**

$$Q = -kA (dT/dx)_{x=0}$$

For long fin $(T - T_{\infty}) = (T_0 - T_{\infty}) e^{-mx}$

$$dT/dx = -m (T_0 - T_{\infty}) e^{-mx}, \quad Q = (-kA) \{-m(T_0 - T_{\infty})\} e^{-m \cdot 0}$$

$$Q = kA \sqrt{hP/kA} \cdot (T_0 - T_{\infty}) \cdot 1 = \sqrt{hPkA} \cdot (T_b - T_{\infty}) \quad \dots(4.11)$$

using the second method: for long fin $L \dots > \infty$

$$\begin{aligned}
 Q &= \int_0^{\infty} hP \, dx (T - T_{\infty}), \text{ as } (T - T_{\infty}) = (T_b - T_{\infty}) e^{-mx} \\
 Q &= \int_0^{\infty} hP (T_b - T_{\infty}) \cdot e^{-mx} \, dx = \left[-(1/m) \cdot hP (T_b - T_{\infty}) e^{-mx} \right]_0^{\infty} \\
 &= [0 - (- (1/\sqrt{kA/hP})) \cdot hP (T_b - T_{\infty}) \cdot e^{-m0}] \\
 &= \sqrt{hPkA} (T_b - T_{\infty}) \quad \dots(4.11)
 \end{aligned}$$

(ii) **Short fin end insulated boundary:**

$$Q = -kA \left. \frac{dT}{dx} \right|_{x=0}$$

$$T - T_{\infty} = (T_b - T_{\infty}) \cdot \frac{\cosh m(L-x)}{\cosh mL}$$

$$\left. \frac{dT}{dx} \right|_{x=0} = \frac{(T_b - T_{\infty})}{\cosh mL} \times -m \sinh mL$$

$$\therefore Q = -kA \times -m \times (T_b - T_{\infty}) \cdot \frac{\sinh mL}{\cosh mL}$$

or
$$Q = \sqrt{hPkA} (T_b - T_{\infty}) \tanh (mL) \quad \dots(4.12)$$

The method of integration will lead to the same expression.

The results for the other two involve more algebraic manipulation. The expression for heat flow is shown in Table 4.2.

Table 4.2. Expression for heat flow for fins with various boundaries

Boundary condition	Heat flow
1. Long fin , $x = 0, T = T_b$ $x = \infty, T = T_{\infty}$	$Q = \sqrt{(hPkA)} \cdot (T_b - T_{\infty}) \quad \dots(4.11)$
2. Short fin insulated . $x = 0, T = T_b$	$Q = \sqrt{(hPkA)} \cdot (T_b - T_{\infty}) \cdot \tanh (mL) \quad \dots(4.12)$
3. Short fin $x = L, -kA (dT/dx) = hA (T_b - T_{\infty})$	$Q = \sqrt{(hPkA)} \cdot (T_b - T_{\infty}) \left[\frac{\sinh mL + (h_L/mk) \cdot \cosh mL}{\cosh mL + (h_L/mk) \cdot \sinh mL} \right] \quad \dots(4.13)$
4. Fixed end temperature $x = 0, T = T_{b1}$. $x = L, T = T_{b2}$.	$Q = \sqrt{(hPkA)} [(T_{b1} - T_{\infty}) + (T_{b2} - T_{\infty})] \frac{\cosh (mL) - 1}{\sinh (mL)} \quad \dots(4.14)$

Note that equation 4.12 can be obtained from 4.13 by assuming $h_L = 0$, or end insulated condition. So also equation 4.11 from 4.12 by taking $L = \infty$, then $\tanh(mL) = 1$.

Examples 4.4-4.7 compare the heat flow characteristics of fins under the four different boundary conditions.

Example 4.4: Calculate in the case of problem 4.1, the total heat flow and heat convected up to 159 mm and 80 mm lengths. (Fig. 4.3)

Using equation 4.10 and using the data of example 1.

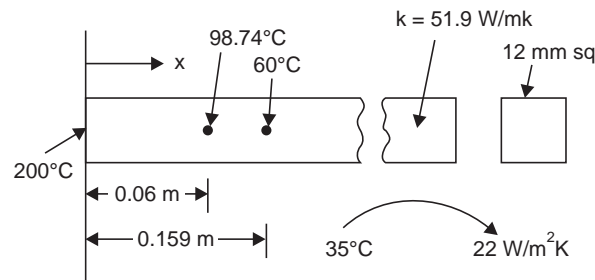


Fig. 4.6. Problem model.

Solution: Eqn. 4.11 is applicable:

$$Q = \sqrt{(hPkA)} \cdot (T_b - T_\infty)$$

$$Q = A(22 \times 4 \times 0.012 \times 51.9 \times 0.012^2)^{0.5} (200 - 35)$$

$$= 14.66 \text{ W}$$

The heat convected upto 0.159 m length can be found by taking the difference of total heat flow and heat conducted at 0.159 m length: From 4, 1, $T_{0.159} = 60^\circ\text{C}$, $T_{0.08} = 98.74^\circ\text{C}$.

heat convected upto 0.159 m

$$Q_{0.159} = 14.66 - \sqrt{(hPkA)} (T_{0.159} - T_\infty) = 14.66 - 2.22 = 12.44 \text{ W}$$

or 84.86% of long fin

Similarly, heat convected upto 0.08 m is given by

$$Q_{0.08} = (14.66) - \sqrt{(hPkA)} (T_{0.08} - T_\infty) = 14.66 - 5.66 = 9 \text{ W}$$

or 61.4% of long fin.

The results indicate that most of the heat is dissipated in a short length of the fin and extending the fin length beyond a certain value is uneconomical.

Example 4.5: Using the data in example 4.1 and 4.2, determine the heat dissipated by a fin of 0.159 m length with end insulated conditions. Also find the heat dissipated upto 0.08 m length in this case.

The equation suitable for this situation is given by 4.12.

Solution: $Q = \sqrt{(hPkA)} (T_b - T_\infty) \cdot \tanh(mL)$

using the data and calculated value of m from problem 1, $m = 11.89$

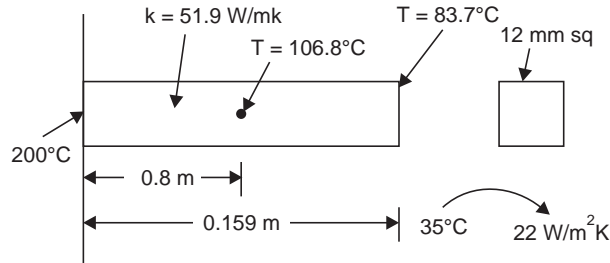


Fig. 4.7. Problem model.

$$Q = \sqrt{(22 \times 4 \times 0.012 \times 51.9 \times 0.012 \times 0.012)} (200 - 35) \tanh (11.89 \times 0.159)$$

$$= 14 \text{ W}$$

Only 0.66 W less than that of long fin. (Example 4.4)

Heat dissipated up to 0.08 m can be found by difference of original fin and fin of $L = (0.159 - 0.08)$ m end insulated with the base temperature as calculated.

$$Q_{0.08} = 14 - \sqrt{(hPkA)} (106.84 - 35) \cdot \tanh (11.89 \times 0.079) = 14 - 4.69 = 9.31 \text{ W}$$

or 66.5%.

Example 4.6: In example 4.3, determine the heat flow through the fin. Using expression 4-12 (Length 80 mm).

Solution:

$$Q = \sqrt{(hPkA)} (T_o - T_\infty) \cdot \frac{\sinh (mL) + (h_L / mk) \cdot \cosh (mL)}{\cosh (mL) + (h_L / mk) \cdot \sinh (mL)}$$

$$= \sqrt{(22 \times 4 \times 0.012 \times 51.9 \times 0.012 \times 0.012)} (200 - 35)$$

$$\times \frac{\sinh (11.89 \times 0.08) + (22 / 11.89 \times 51.9) \cosh (11.89 \times 0.08)}{\cosh (11.89 \times 0.08) + (22 / 11.89 \times 51.9) \sinh (11.89 \times 0.08)}$$

$$= 11.08 \text{ W or } 75.6\% \text{ of long fin or } 79\% \text{ of fin of double its length.}$$

Hence use of long fin generally is wasteful of material.

Example 4.7: Consider the data in example 4.1. The ends of the rod 159 mm long is held at 200°C and 100°C. Determine the temperature at mid location. Also find the minimum temperature and its location.

The data are presented in Fig. 4.8.

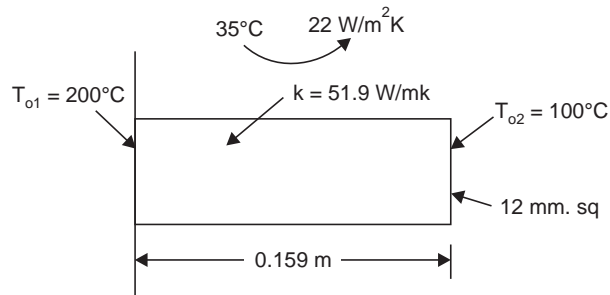


Fig. 4.8. Problem model.

Solution: This situation corresponds to the end conditions being held at specified temperatures.

Using equation 4.8 and 4.13.

$$\frac{T - T_{\infty}}{T_{b1} - T_{\infty}} = \frac{[(T_{b2} - T_{\infty}) / (T_{b1} - T_{\infty})] \sinh(mx) + \sinh m(L - x)}{\sinh(mL)}$$

Temperature at the mid location

$$\begin{aligned} \frac{T - 35}{200 - 35} &= \frac{[(100 - 35) / (200 - 35)] \sinh(11.89 \times 0.159 / 2) + \sinh 11.89 (0.159 - 0.159 / 2)}{\sinh(11.89 \times 0.159)} \\ &= 0.47 \quad \therefore \quad T = 112.65^{\circ}\text{C} \end{aligned}$$

$$\begin{aligned} Q &= \sqrt{(hPkA)} \cdot ((T_{b1} - T_{\infty}) + (T_{b2} - T_{\infty})) ((\cosh(mL) - 1) / \sinh(mL)) \\ &= \sqrt{(22 \times 4 \times 0.012 \times 51.9 \times 0.012 \times 0.012)} \{(200 - 35) \\ &\quad + (100 - 35)\} \{(\cosh(11.89 \times 0.159) - 1) / \sinh(11.89 \times 0.159)\} = 15.07 \text{ W}. \end{aligned}$$

To find the location of the minimum temperature, the condition that $(dT/dx)_x = 0$ at the point is used.

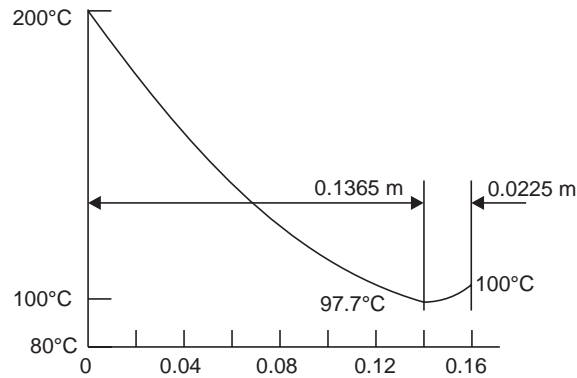


Fig. 4.9. Temperature variation along fin.

Differentiating equation 4.8 and equating to zero.

$$\begin{aligned} \{(T_{b2} - T_{\infty}) / (T_{b1} - T_{\infty})\} \times \cosh(mx) &= \cosh m(L - x). \text{ Solving by trial} \\ x_{\min} &= 0.1365 \text{ m and substituting in eqn. 4.8, } T_{\min} = 99.7^{\circ}\text{C} \end{aligned}$$

The temperature plot is shown in Fig. 4.9.

As a check for the location, the heat flow can be calculated as the sum of heat flow from two short end insulated fins with one of 0.1365 m and one of 0.0225 m lengths with base temperatures of 200°C and 100°C respectively.

$$Q_1 = \sqrt{(hPkA)} (T_{01} - T_{\infty}) \tanh(11.89 \times 0.1365) = 13.56 \text{ W}$$

$$Q_2 = \sqrt{(hPkA)} (T_{02} - T_{\infty}) \tanh(11.89 \times 0.0225) = 1.51 \text{ W}$$

$$\text{Total} = 15.07 \text{ W} \quad \text{Checks:}$$

Another check is to determine the temperature at this location using the above concept of two fins.

$$(T - 35)/(200 - 35) = 1/(\cosh(11.89 \times 0.1365)) \quad \therefore T = 97.67^\circ\text{C}$$

$$(T - 35)/(100 - 35) = 1/(\cosh(11.89 \times 0.0225)) \quad \therefore T = 97.74^\circ\text{C}$$

The value obtained using the single unit concept is 97.7°C . This also checks the location of minimum temperature. Note that such checks are very useful.

4.4 FIN PERFORMANCE

It is necessary to evaluate the performance of fins to achieve minimum weight or maximum heat flow etc. Fin effectiveness, fin efficiency total efficiency are some methods used for performance evaluation of fins.

4.4.1. Fin Effectiveness, ϵ_f : Fins are used to increase the heat transfer from a surface by increasing the effective surface area. When fins are not present, the heat convected by the base area is given by $Ah(T_o - T_\infty)$, where A is the base area. When fins are used the heat transferred by the fins, q_f is calculated using equations 4.11 to 4.14. The ratio of these quantities is defined as fin effectiveness.

$$\epsilon_f = \frac{q_f}{hA(T_b - T_\infty)} \quad \dots(4.15)$$

Fin effectiveness should be as large as possible for effective use of material. Use of fins with effectiveness less than 2 can be rarely justified. Considering the long fin boundary,

$$\epsilon_f = \frac{\sqrt{hPkA}(T_b - T_\infty)}{hA(T_b - T_\infty)} = \left(\frac{kP}{hA}\right)^{1/2} \quad \dots(4.16)$$

Some conclusions from eqn. 4.16 are

1. Thermal conductivity of the fin material should be high to give large fin effectiveness. This leads to the choice of aluminium and its alloys.

2. The ratio $\frac{P}{A}$ should be large. This requirement can be achieved by the use of thinner fins. Use more thin fins of closer pitch than fewer thicker fins at longer pitch.

3. Effectiveness will be higher if h is lower. Generally convection in gas flow, and heat flow under free convection lead to lower values of heat transfer coefficient, h . **Hence fins are used on the gas side of heat exchanges. The condition that $\epsilon_f > 2$ leads to the relation**

$$\frac{kP}{hA} > 4.$$

Concept of thermal resistance can also be used to express effectiveness of fins. The resistance to heat flow by the fin can be expressed as

$$R_f = \frac{T_b - T_\infty}{q_f} \quad \dots(4.17)$$

The convection resistance of the base area is

$$R_b = \frac{1}{hA} \quad \dots(4.18)$$

$$\therefore \epsilon_f = \frac{R_b}{R_f} = \frac{1}{hA} \cdot \frac{q_f}{T_b - T_\infty} \quad \dots(4.19)$$

Higher values of effectiveness can result from higher values of convection resistance compared to the fin resistance. In effect it can be said that **fins reduce to resistance to heat flow at the surface.**

4.4.2. Fin efficiency, η_f : This quantity is more often used to determine the heat flow when variable area fins are used. **Fin efficiency is defined as the ratio of heat transfer by the fin to the heat transfer that will take place if the whole surface area of the fin is at the base temperature.**

$$\eta_f = \frac{q_f}{hA_s(T_b - T_\infty)} \quad \dots(4.20)$$

where A_s is the surface area of the fin.

For constant area fin with adiabatic tip,

$$\eta_f = \frac{\sqrt{hPkA} (T_b - T_\infty) \cdot \tanh(mL)}{hPL(T_b - T_\infty)} = \frac{\tanh(mL)}{mL} \quad \dots(4.21)$$

The surface area $A_s = PL$.

This equation can be used in general without significant error by increasing the fin length with surface area equal to the area at the tip. In the case of plate fins new length $L_c = L + \frac{t}{2}$ where t is the thickness. In the case of circular fins $L_c = L + D/4$, where D is the diameter of the fin. Error associated with this assumption is negligible if $\frac{ht}{k}$ or $\frac{hD}{2k} \leq 0.0625$.

From equation 4.21, it is seen that fin efficiency is a function of the term " mL_c ".

$$mL_c = \left(\frac{hP}{kA}\right)^{1/2} L_c \quad \dots(4.22)$$

Assuming fin plate fins $P \simeq 2W$, where W is the width of the fin and $A = Wt$. Substituting

$$mL_c = \left(\frac{2h}{kt}\right)^{1/2} L_c \quad \dots(4.23)$$

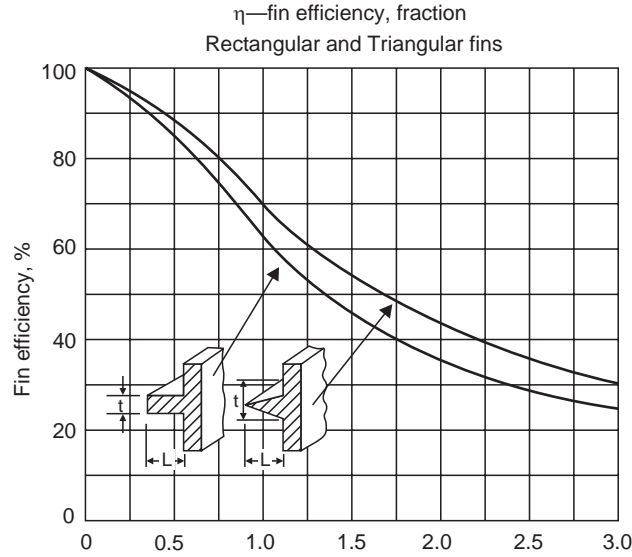
Multiplying and dividing the RHS of (4.23),

$$mL_c = \left(\frac{2h}{ktL_c}\right)^{1/2} \cdot L_c^{3/2} = \left(\frac{2h}{kA_p}\right)^{1/2} L_c^{3/2} \quad \dots(4.24)$$

where A_p is called the profile area $= L_c \times t$.

Hence
$$\eta_f = f \left[L_c^{3/2} \cdot \left(\frac{2h}{kA_p}\right)^{1/2} \right] \quad \dots(4.25)$$

This relationship is used to plot the fin efficiency of variable area fins and annular fins. Such a chart for plate fins is given below. Similar charts are available for annular fins and pin fins.



$$L_c^{1.5} \left(\frac{h}{kA_p} \right)^{0.5}$$

$$\left. \begin{array}{l} L_c = L + \frac{t}{2} \\ A_p = tL_c \\ L_c = L \end{array} \right\} \text{Rectangular fin}$$

$$\left. \begin{array}{l} A_p = \frac{t}{2}L \end{array} \right\} \text{Triangular fin}$$

$$A_s = 2L_c \text{ (Depth)}$$

4.4.3. Overall surface efficiency or total efficiency, η_T : Fin efficiency gives the performance of a single fin. Overall efficiency gives the performance of an array of fins and the surface on which these fins are provided. Let there be N fins each of area A_f . Let the total area be A_t . The free surface over which convection takes place is $A_b = A_t - NA_f$.

The total heat flow = heat flow by fins + heat flow by base area

$$\begin{aligned} q_t &= [N\eta_f hA_f + h(A_t - NA_f)] (T_b - T_\infty) \\ &= hA_t \left[1 - \frac{NA_f}{A_t} (1 - \eta_f) \right] (T_b - T_\infty) \end{aligned}$$

The ideal or maximum value is

$$= hA_t (T_b - T_\infty)$$

$$\therefore \eta_t = 1 - \frac{NA_f}{A_t} (1 - \eta_f) \quad \dots(4.26)$$

This equation can be used to calculate the heat flow in a surface array provided η_t is available.

Example 4.9: Determine the value of fin effectiveness for the fins in example 4.4, 5 and 6.

Solution: In all these cases the base area = $0.012 \times 0.012 \text{ m}^2$, $h = 22 \text{ W/m}^2\text{K}$, $(T_o - T_\infty) = (200 - 35) = 165$. The heat dissipated are 14.66, 14 and 11.08, using eqn 4.15.

Effectiveness: (i) long fin: $14.66 / (0.012 \times 0.012 \times 22 \times 165) = 28.0$

(ii) short fin end insulated: $14.0 / (0.012 \times 0.012 \times 22 \times 165) = 26.7$

(iii) short fin: $11.08 / (0.012 \times 0.012 \times 22 \times 165) = 21.2$

Apparently the effectiveness of the short fin is lower. But the volume of material used also is the lowest. Hence the ratio of (effectiveness/volume) only can determine the form of the fin which will be economical. In that point of view the short fin has the advantage. Effectiveness concept can be used to evaluate a fin but will not be useful by itself for the optimisation of the volume of material used for a fin.

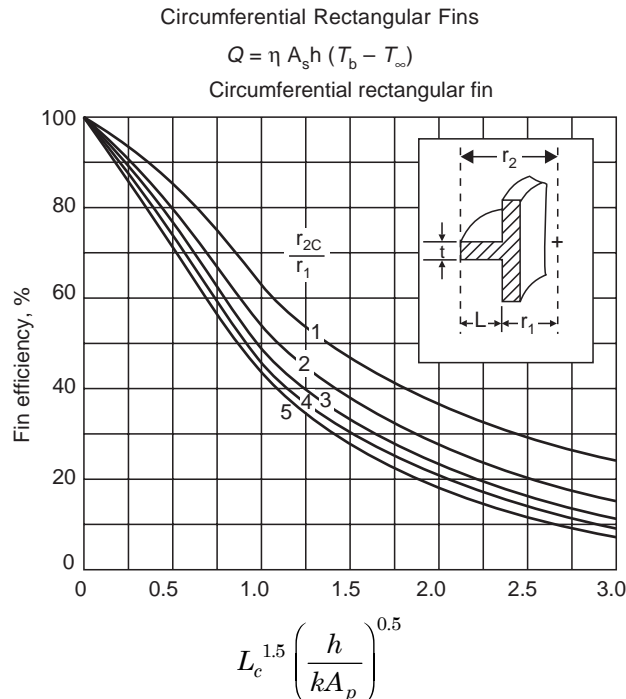
4.5 CIRCUMFERENTIAL FINS AND PLATE FINS OF VARYING SECTIONS

Circumferential fins and plate fins of varying sections are in common use. The preceding analysis has not taken this into account. As already mentioned the fin efficiency is correlated to the combination of parameters L , t , h and k (length, thickness, convection coefficient and thermal conductivity). Once these are specified, the chart can be entered by using the parameter to determine efficiency. The value of efficiency, the surface area, temperature and convection coefficient provide the means to calculate the heat dissipated.

$$Q = \text{fin efficiency} \cdot A_s h (T_b - T_\infty) \quad \dots(4.18)$$

Charts are available for constant thickness circumferential fins, triangular section plate fins and pin fins of different types. The parameters used for these charts are given in the charts.

The fin efficiency chart for circumferential fins is given below:



$$L_c = L + \frac{t}{2} \quad r_{2c} = r_1 + L_c$$

$$A_p = t(r_{2c} - r_1) \quad A_s = 2\pi(r_{2c}^2 - r_1^2)$$

Example 4.10: Determine the heat flow for (i) rectangular fins and (ii) triangular fin of 20 mm length and 3 mm base thickness. Thermal conductivity = 45 W/mK. Convection coefficient = 100 W/m²K, base temperature = 120°C surrounding fluid temperature = 35°C Determine also the fin effectiveness. Use the charts.

The data are shown in Fig 4.10. Using the nomenclature in the chart (Skeleton chart shown in Fig. (4.11))

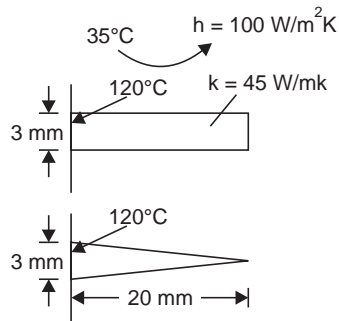


Fig. 4.10

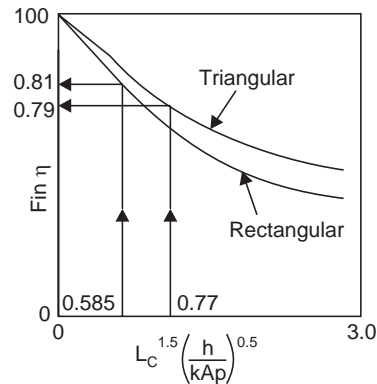


Fig. 4.11

Solution: (i)

$$L_c = 0.02 + 0.003/2 = 0.0215$$

$$A_p = 0.003 \times 0.0215, A_s = 2 \times 0.0215 \times 1$$

$$L_c^{1.5} (h/k A_p)^{0.5} = 0.0215^{1.5} (100/(45 \times 0.0215 \times 0.003))^{0.5} = \mathbf{0.585}$$

Entering the chart at 0.585, **fin efficiency** is read as **0.81** (As in Fig. 4.11)

$$Q = 0.81 \times 2 \times 0.0215 \times 1 \times 100 (120 - 35) \\ = \mathbf{296.06 \text{ W/m depth.}}$$

Check

$$Q = \sqrt{(hPkA)} \cdot (T_o - T_\infty) \tanh (mL), \\ \sqrt{(hPkA)} = \sqrt{((100 \times 2)/(45 \times 0.003))} \\ = 38.49, mL = 0.77, Q = 285.73 \text{ W, checks.}$$

$$\mathbf{Effectiveness} = 296.06/(0.003 \times 1 \times 100 (120 - 35)) = \mathbf{11.61}$$

(ii) For triangular fin:

$$L_c = L = 0.02, A_s = 2 \times 0.02 \times 1 A_p = (0.003/2) \times 0.02$$

$$L_c^{1.5} (h/kA)^{0.5} = 0.02^{1.5} ((100)/(45 \times 0.0015 \times 0.02))^{0.5} = \mathbf{0.77}$$

Entering the chart at 0.77, efficiency is read as 0.79. (as in Fig. 4.11)

$$Q = 0.79 \times 2 \times 0.02 \times 1 \times 100 \times (120 - 35) = \mathbf{268.6 \text{ W}}$$

$$\mathbf{Effectiveness} = 268.6/0.003 \times 100 (120 - 35) = \mathbf{10.53}$$

Though the effectiveness is less, in this case note that the volume of material used is only half of that used for the rectangular fin.

Example 4.11: A circumferential fin on a pipe of 50 mm OD is 3 mm thick and 20 mm long. Using the property values and other parameters in example 4.10, determine the (i) heat flow and effectiveness (ii) If the pitch is 10 mm, determine the increase in heat flow for 1 m length of pipe. Also determine the total efficiency.

Using the nomenclature in the efficiency chart (Skeleton chart shown in Fig. 4.12(b)).

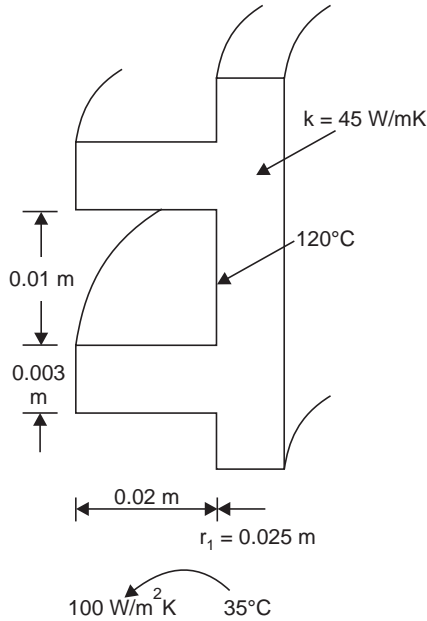


Fig. 4.12 (a)

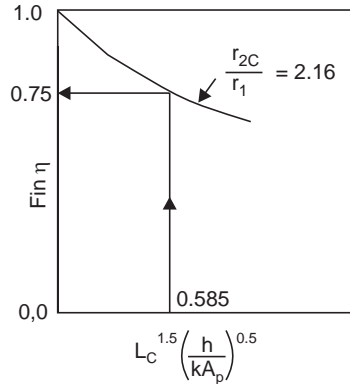


Fig. 4.12 (b)

Solution:

$$L_c = L + t/2 = 0.02 + 0.003/2 = 0.0215 \text{ m}$$

$$r_{2c} = r_1 + L_c = 0.025 + 0.0215 = 0.0465 \text{ m}$$

$$A_p = 0.003 (0.0465 - 0.0215) = 0.0255 \times 0.003$$

$$A_s = 2\pi (0.0465^2 - 0.0215^2)$$

$$(i) \quad L_c^{1.5} \left(\frac{h}{kA_p} \right)^{0.5} = 0.0215^{1.5} (100 / (45 \times 0.003 \times 0.0255))^{0.5} = \mathbf{0.585}$$

$$r_{2c}/r_1 = 0.0465/0.0215 = \mathbf{2.16}$$

Entering the chart at 0.585 and using the curve corresponding to $r_{2c}/r_1 = 2.16$ (interpolation) the **fin efficiency** is read as **0.75** (As in Fig. 4.12(b))

$$Q = 0.75 \times 2\pi (0.0465^2 - 0.0215^2) 100 \times (120 - 35) = \mathbf{68.09 \text{ W/fin}}$$

$$\mathbf{Effectiveness} = 68.09 / (2(\pi \times 0.025 \times 0.003 \times 100 \times (120 - 35))) = \mathbf{17}$$

(ii) Considering 1 m length The heat flow **without the fins**

$$= 2\pi \times 0.025 \times 1 \times 100 \times (120 - 35) = \mathbf{1335.2 \text{ W/m length.}}$$

As the pitch is 10 mm, the number of fins per m length will be 100 fins remaining base length will be 0.7 m.

$$\mathbf{Q \text{ with fins}} = 100 \times 68.09 + 1335.2 \times 0.7 = \mathbf{7743.6 \text{ W}}$$

This is about 5.8 times that of bare pipe.

$$\text{Total area} = (\pi \times 0.025 \times 1) + 100 \times \pi (0.045^2 - 0.025^2) = 0.94247 \text{ m}^2$$

$$\text{Maximum heat flow} = hA\Delta T = 100 \times 0.94247 \times (120 - 35) = 8011 \text{ W.}$$

$$\mathbf{Total \ efficiency} = \frac{7743.6}{8011} = \mathbf{0.9665 \text{ or } 96.65\%}.$$

4.6 OPTIMISATION

If fins of constant cross sectional area are used, then there is a wastage of material because, the section required for heat conduction for the same temperature gradient will be continuously decreasing with length. Several possibilities are there for the choice of section. Some of these are trapezoidal, triangular, convex parabolic and concave parabolic as shown in Fig. 4.13.

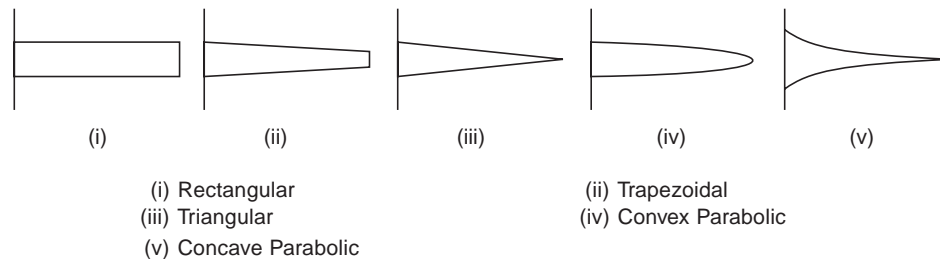
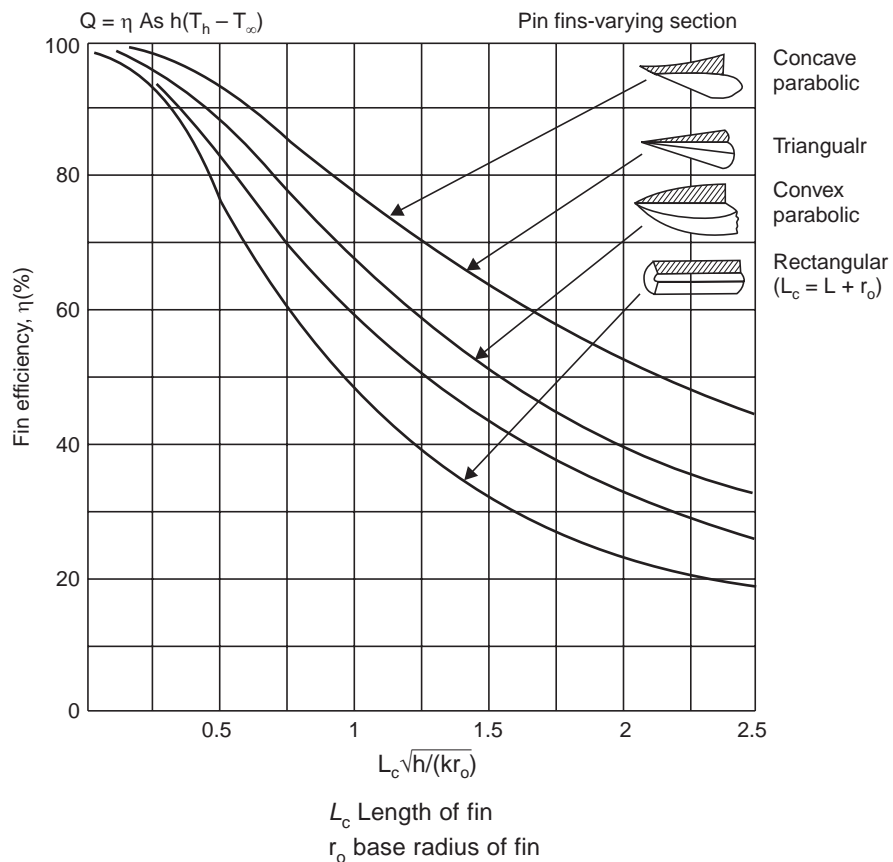


Fig. 4.13. Fin sections

Out of these sections, the concave parabolic has the highest fin efficiency for a given set of parameters, and this will also require the least weight for a given amount of heat dissipation.

Fin efficiency chart for pin fins is given below



Example 4.12: Considering pin fins of constant section, triangular, concave and convex parabolic sections of base dia 12 mm and length 25 mm, determine the fin efficiency, $k = 45 \text{ W/mK}$, $h = 100 \text{ W/m}^2\text{K}$.

Referring to efficiency chart.

Solution: $L_c \sqrt{(h/kr_o)}$ is to be determined for these cases.

(i) **Constant section:** $L_c = L + r_o = 0.025 + 0.006 = 0.031$

$$L_c \sqrt{(h/kr_o)} = 0.031 \sqrt{(100/45 \times 0.006)} = 0.597$$

Entering the **fin efficiency chart** at 0.597, the **fin efficiency** is read as **0.74** (as in Fig. 4.14)

(ii) **Triangular:** $L_c = L$

$$L_c \sqrt{(h/kr_o)} = 0.025 \sqrt{(100/45 \times 0.006)} = 0.481$$

This is the same for the other two sections also.

Entering the fin efficiency chart at this value, the fin efficiency values are read as (as in Fig. 4.14)

(i) **Triangular = 0.89**

(ii) **Convex parabolic = 0.85**

(iii) **Concave parabolic = 0.93**

The material used is the least in the case of concave parabolic section. The efficiency is the highest. The surface areas are vary nearly the same for the last three.

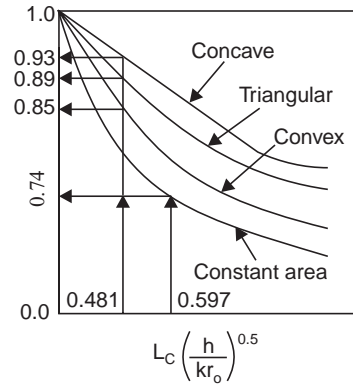


Fig. 4.14. Skeleton chart.

4.7 FIN WITH RADIATION SURROUNDINGS

Instead of pure convection on the surface, both convection and radiation or pure radiation may prevail on the surface. In such a situation, the differential equation will be as shown below:
Convection and radiation.

$$\frac{d^2T}{dx^2} - \sqrt{(hP/kA)} (T - T_\infty) - \sqrt{(\sigma P/kA)} (T^4 - T_\infty^4) = 0 \quad \dots(4.21)$$

Pure radiation: $\frac{d^2T}{dx^2} - \sqrt{(\sigma P/kA)} (T^4 - T_\infty^4) = 0 \quad \dots(4.22)$

Solutions are available for these cases in hand books. But these situations can be solved more easily to numerical methods. (σ —Stefan-Boltzmann constant).

4.8 CONTACT RESISTANCE

Fins may be integral with the base surface from which heat is to be dissipated or these may be welded or fixed by pressure due to crimping etc. in which case a contact resistance is introduced. The contact resistance reduces the base temperature of the fin and thus the heat dissipated by the fin. If loosely fitted this drop may be high. Manufacture of integral fins is not possible in

many cases, but care should be taken to reduce the contact resistance. A trial solution will be necessary in this case as the base temperature at the contact depends on the heat flow which again is a function of the base temperature. An example is worked out later in the chapter for this situation. (Problem 4.25, 4.28)

4.9 NUMERICAL METHOD

Numerical methods can be conveniently adapted to solve for the temperature distribution and the heat flow in fins. Considering the fin shown in Fig. 4.15, the energy equation for i^{th} node can be written as

Heat conducted into the volume – heat conducted out of the volume = heat dissipated at the surface.

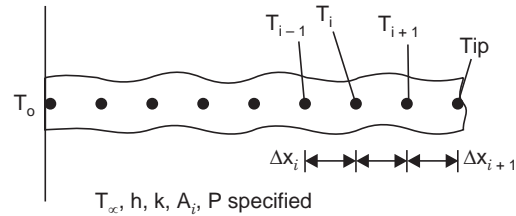


Fig. 4.15

$$\frac{kA_i (T_{i-1} - T_i)}{\Delta x_i} - \frac{kA_{i+1} (T_i - T_{i+1})}{\Delta x_{i+1}} = hP_i (T_i - T_\infty) (\Delta x_i + \Delta x_{i+1})/2$$

or

$$(kA_i/\Delta x_i) \times T_{i-1} + \{(kA_{i+1}/(\Delta x_{i+1}))\} \times T_{i+1} - \left[\frac{kA_i}{\Delta x_i} + \frac{kA_{i+1}}{\Delta x_{i+1}} + \frac{hP_i (\Delta x_i + \Delta x_{i+1})}{2} \right] T_i + \frac{hP_i (\Delta x_i + \Delta x_{i+1})}{2} T_\infty = 0 \quad \dots(4.23)$$

If Δx and A and P are taken to be constant, then this reduces to

$$T_{i-1} + T_{i+1} - \left[2 + \frac{hP}{kA} \cdot \Delta x^2 \right] T_i + \frac{hP}{kA} \cdot \Delta x^2 \cdot T_\infty = 0 \quad \dots(4.24)$$

For the last node alone area is $P\Delta x/2$ and the equation is

$$T_{i-1} - \left[1 + \frac{hP}{kA} \cdot \frac{\Delta x^2}{2} \right] T_i + \frac{hP}{kA} \cdot \frac{\Delta x^2}{2} \cdot T_\infty = 0 \quad \dots(4.25)$$

The resulting simultaneous equations can be solved by solving the coefficient matrix equation. All variations including that in conductivity and convection coefficient in addition to the sectional area and perimeter can be taken into account. Of course a computer is needed to solve the matrix. Now softwares are available using which the problem can be solved by inputting the values of various parameters like the dimensions, conductivity, area, convection coefficient etc. In case radiation is involved, the convection term is replaced by the radiation term.

Example 4.13: A rod of 5 mm dia and 100 mm length is used as a fin. The convection coefficient is 30 W/m²K. Determine for what value of thermal conductivity above which the fin can be considered as an infinite or long fin.

Solution: On the basis of heat flow: heat flow in long fin, $Q = \sqrt{hPkA} (T_0 - T_\infty)$.

$$\text{Adiabatic tip,} \quad Q = \sqrt{hPkA} (T_0 - T_\infty) \tanh (mL).$$

Assuming 1%, difference is allowable,

It $\tanh (mL) = 0.99$, then $mL = 2.65$

If $L \geq 2.65/m$, then it can be considered as a long fin.

Using the equality $mL = 2.65$, As $L = 0.1$ m, $m = 26.5$

$$\therefore m = 26.5 = \sqrt{((30 \times \pi \times 0.005 \times 4) / k \times \pi \times 0.005^2)}$$

$$\therefore k = 34.18 \text{ W/mK.}$$

The conductivity should be less than or equal to 34.18 W/mK.

On the basis of tip temperature,

$$\text{Long fin, } \frac{T_L - T_\infty}{T_o - T_\infty} = 0,$$

Short fin adiabatic tip,

$$\frac{T_L - T_\infty}{T_o - T_\infty} = \frac{1}{\cosh (mL)}$$

Assuming 2% difference, between these two

$$\frac{1}{\cosh (mL)} = 0.02 \quad \therefore mL = 4.6.$$

In this case, as $L = 0.1$, $m = 46$,

$$\therefore 46 = \sqrt{((30 \times \pi \times 0.005 \times 4) / (k \times \pi \times 0.005^2))}$$

$$\therefore k = 11.34 \text{ W/mK.}$$

Example 4.14: In the example 4.13, if $T_b = 200^\circ\text{C}$, and $T_\infty = 30^\circ$, determine the end temperature assuming (i) long fin model, (ii) short fin end insulated model $m = 26.5$ (from example 4.13).

$$(i) \text{ long fin model: } (T - 30)/(200 - 30) = e^{-mx} = e^{-26.5 \times 0.1} = 0.07065, T = 42^\circ\text{C}$$

$$(ii) \text{ Assuming short fin end insulated model.}$$

Solution: $(T - 30)/(200 - 30) = 1/\cosh (mL) = 1/\cosh (26.5 \times 0.1) \quad \therefore T = 53.9^\circ\text{C}$

It can be checked that the heat flow will be less only by 1%

$$i.e. \quad 1 - \tanh (mL) = (1 - \tanh (26.5 \times 0.1)) = 0.01$$

SOLVED PROBLEMS

Problem 4.1: One end of long rod 1 cm dia having a thermal conductivity of 45 W/mK is placed in a furnace. The rod is exposed to air at 30°C over its surface and the convection coefficient is estimated at 35 W/m²K. If the temperature is read as 265°C at a distance of 39.3 mm from the furnace end, determine the base temperature of the rod.

Solution: Equation 4.5 for long fin model can be used.

$$(T - T_\infty)/(T_b - T_\infty) = e^{-mx}$$

$$m = \sqrt{(hP / kA)} = \sqrt{((35 \times \pi \times 0.01 \times 4) / (45 \times \pi \times 0.1^2))} = 17.64$$

$$x = 0.0393, mx = 0.693$$

$$(265 - 30)/(T_b - 30) = e^{-0.693} = 0.50 \quad \therefore T_b = 500^\circ\text{C.}$$

Problem 4.2: One end of a long rod of 1 cm dia is maintained at 500°C by placing it in a furnace. The rod is exposed to air at 30°C with a convection coefficient of 35 W/m²K. The temperature measured at a distance of 78.6 mm was 147.5°C. Determine the thermal conductivity of the material.

Solution: Equation 4.5 can be used as this is a long fin configuration.

$$(T - T_{\infty}) / (T_b - T_{\infty}) = e^{-mx}, (147.5 - 30) / (500 - 30) = 0.25 = e^{-m \times 0.0786}$$

$$\text{Solving} \quad m = 17.64 = \sqrt{(hP / kA)} = \sqrt{((35 \times \pi \times 0.01 \times 4) / (k \times \pi \times 0.01^2))}$$

$$\text{Solving} \quad \mathbf{k = 45 \text{ W/mK.}}$$

Problem 4.3: One end of a rod of 1 cm dia and 80 mm length is maintained at a temperature T when the rod is exposed to air at 30°C. The conductivity of the rod is 12.5 W/mK and the convection coefficient over the surface is 25 W/m²K. If the temperature at the tip was measured as 80°C, determine the value of temperature T .

The data are presented in Fig. P.4.3. The short fin end insulated model is suitable for the problem. So equation 4.6 is used.

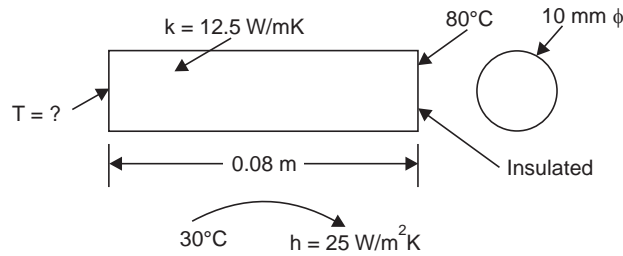


Fig. P.4.3

Solution: $(T_L - T_{\infty}) / (T_b - T_{\infty}) = 1 / \cosh(mL)$

$$m = \sqrt{(hP / kA)} = \sqrt{((25 \times \pi \times 0.01 \times 4) / (12.5 \times \pi \times 0.01^2))}$$

$$= 28.28, mL = 2.26$$

$$(80 - 30) / (T - 30) = 1 / \cosh(2.26) = 0.206. \text{ Solving } \mathbf{T = 272.84^\circ\text{C.}}$$

Problem 4.4: A short fin of 0.08 m length and diameter 12 mm is exposed to air at 30°C. Thermal conductivity is 15 W/mK. The base temperature is 280°C. The heat dissipated by the fin is 7W. Determine the value of convection coefficient and also the tip temperature.

The data are shown in Fig. P.4.4.

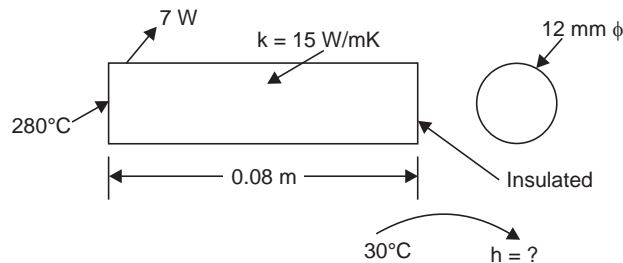


Fig. P.4.4. Problem model

Short fin, end insulated condition is suitable for the problem and heat flow is given. So equation 4.11 is used.

Solution: $Q = \sqrt{(hPkA)} (T_b - T_\infty) \tanh (mL) = 7 \text{ W}$

Convection coefficient is involved in $\tanh (mL)$ as well as in $\sqrt{(hPkA)}$. Hence a trial solution is attempted. Assume: $h = 20 \text{ W/m}^2\text{K}$,

$$m = \sqrt{(hP/kA)} = \sqrt{((20 \times \pi \times 0.012 \times 4) / (15 \times \pi \times 0.012^2))}$$

$$= 21.08, mL = 1.6864$$

$$Q = \sqrt{((20 \times \pi \times 0.012 \times 15 \times \pi \times 0.012^2) / 4)} (280 - 30) \tanh (1.6864) = 8.35 \text{ W}$$

Assume: $h = 15$, $m = 18.26$, $mL = 1.46$.

$$Q = \sqrt{((15 \times \pi \times 0.012 \times 15 \times \pi \times 0.012^2) / 4)} (280 - 30) \tanh (1.46) = 6.952 \text{ W}$$

Assume: $h = 16$, $m = 18.86$, $mL = 1.508$, $Q = 7.25 \text{ W}$

interpolating $h = 15 + (7 - 6.952)/(7.25 - 6.952) = 15.161 \text{ W/m}^2\text{K}$

$$m = 18.355, mL = 1.468, Q = 7.00 \text{ W}$$

Check: Tip temp. = 139.4°C.

Problem 4.5: One end of long rod of diameter 10 mm is inserted into a furnace. The temperatures measured at two points A and B, 39.3 mm apart gave 265°C and 147.5°C respectively. If the convection coefficient is 35 W/m²K, when exposed to air at 30°C, determine the conductivity of the material.

The data are shown in Fig P.4.5(a). The location A itself can be taken as the base and then the fin can be treated as a long fin. This is the easier method. Fig. P.4.5(b).

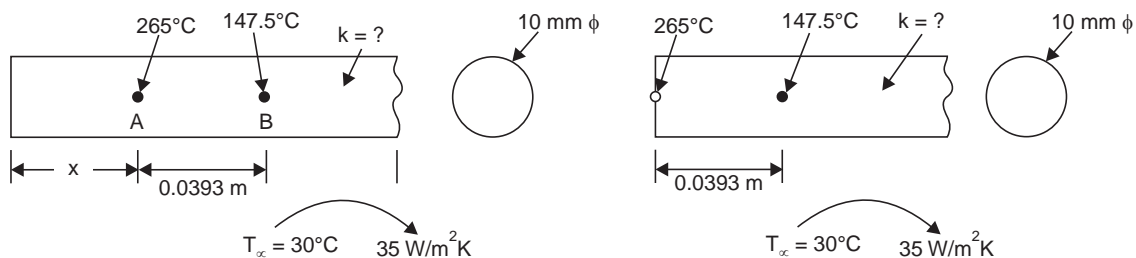


Fig. P.4.5 (a)

Fig. P.4.5 (b)

Solution: $\frac{T - T_\infty}{T_b - T_\infty} = e^{-mx}$

$$(147.5 - 30)/(265 - 30) = e^{-m \times 0.0393} \quad \therefore \quad m = 17.64$$

$$m = 17.64 = \sqrt{((hP)/(kA))} = \sqrt{((35 \times \pi \times 0.01 \times 4) / (k \times \pi \times 0.01^2))}$$

$$\mathbf{k = 45 \text{ W/mK}}$$

[Or $(T_A - T_\infty)/(T_b - T_\infty) = e^{-mx}$, $(T_B - T_\infty)/(T_b - T_\infty) = e^{-m(x+0.393)}$

dividing, $(T_B - T_\infty)/(T_A - T_\infty) = e^{-m \times 0.0393}$, same as above].

Problem 4.6: One end of a long rod of dia 12 mm is inserted into a furnace and the temperatures measured at points A and B 91.2 mm apart are found to be 147.5°C and 77°C respectively. If the conductivity of the material is 45 W/mK and the surrounding is at 30°C determine the convection coefficient.

Solution: Considering the section A itself as the base: and using long fin model.

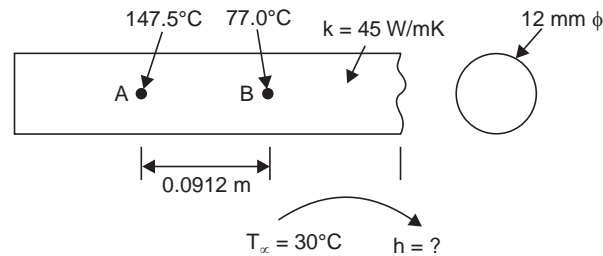


Fig. P.4.6

$$(77 - 30)/(147.5 - 30) = e^{-m \times 0.0912}, \text{ solving } m = 10.05$$

$$\sqrt{((hP)/(kA))} = \sqrt{((h \times \pi \times 0.012 \times 4)/(45 \times \pi \times 0.012^2))} = 10.05,$$

$$\therefore \quad \mathbf{h = 13.62 \text{ W/m}^2\text{K.}}$$

Problem 4.7: Two rods of dia D mm and length L mm have one of the ends at 120°C and are exposed to air at 30°C. The conductivity of the material of one rod is 45 W/mK and the temperature of the rod at the end is measured as 80°C, while the end temperature of the other rod was 60°C. Determine the conductivity of the other material.

Solution: Short fin end insulated condition suits the problem

$$(80 - 30)/(120 - 30) = 1/\cosh(m_1 L),$$

$$\therefore \quad m_1 L = 1.193$$

$$(60 - 30)/(120 - 30) = 1/\cosh(m_2 L),$$

$$\therefore \quad m_2 L = 1.763, \text{ dividing } L \text{ cancels}$$

$$m_1/m_2 = 0.677$$

$$= \sqrt{(hP/k_1 A)(k_2 A/hP)},$$

$$k_2/k_1 = 0.677^2, \quad \mathbf{k_2 = 20.62 \text{ W/mK.}}$$

Problem 4.8: A rod of 12 mm dia is used as a fin of length 0.08 m. The material conductivity is 15.5 W/mK. The convection coefficient is 25 W/m²K. Compare the heat flow if the same volume is used for two fins of same length.

Assuming short fin end insulated condition.

Solution: If the new diameter is d m, then $2\pi d^2/4 = \pi \times 0.012^2/4$

$$d = 0.008485 \text{ m.}$$

$$\mathbf{Q_1 = \sqrt{(hP_1 k A_1)} (T_b - T_\infty) \tanh(m_1 L),}$$

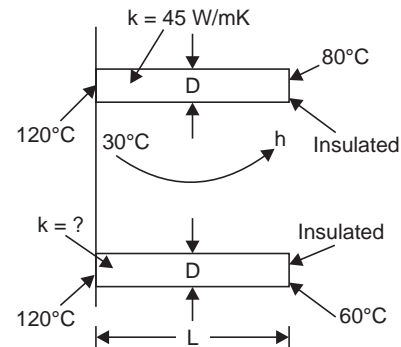


Fig. P.4.7

$$m_1 = \sqrt{((25 \times \pi \times 0.012 \times 4) (15.5 \times 0.012^2 \times \pi))} = 23.19$$

$$\therefore m_1 L = 1.855$$

$$Q_2 = \sqrt{(hP_2 k A_2)} (T_b - T_\infty) \tanh(m_2 L),$$

$$m_2 = \sqrt{((25 \times \pi \times 0.008485 \times 4) (15.5 \times 0.008485^2 \times \pi))} = 27.575$$

$$\therefore m_2 L = 2.206$$

$$2Q_2/Q_1 = \left(2 \cdot \sqrt{((hP_2 k A_2)/(hP_1 k A_1))} \cdot (\tanh(m_2 L) / \tanh(m_1 L))\right)$$

$$= \left(2 \cdot \sqrt{\frac{((h \times \pi \times 0.008485 \times k \times \pi \times 0.008485^2 \times 4) /}{(h \times 4 \times \pi \times 0.012 \times \pi \times 0.012^2 \times k) \times (\tanh(2.206) / \tanh(1.855))}}\right)$$

= **1.22 or 22% increase.** It is desirable to use a thinner or lower sectional area fin.

Problem 4.9: A plate fin of 8 mm thickness of 60 mm length is used on a wall at 200°C. The convection coefficient is 25 W/m²K. The conductivity is 210 W/mK. (i) If the surroundings is at 35°C, determine the heat flow. (ii) if the same fin is split into 4 mm thick fins determine the total heat flow.

Short fin end insulated condition can be used or chart can also be used consider 1 m width of fin.

Solution: (i) 8 mm fin

$$Q = \sqrt{(hPkA)} (T_b - T_\infty) \tanh(mL),$$

$$m = \sqrt{((hP)/(kA))} = \sqrt{((25 \times 2.016)/(210 \times 0.008))} = 5.48 \quad mL = 0.3286$$

$$Q = \sqrt{(25 \times 2.016 \times 210 \times 0.008)} (200 - 35) \tanh(0.3286) = 481.74 \text{ W/m width}$$

(ii) 4 mm fin

$$m = \sqrt{((25 \times 2.008)/(210 \times 0.004))} = 7.73, \quad mL = 0.464$$

$$Q = \sqrt{(25 \times 2.008 \times 210 \times 0.004)} (200 - 35) \tanh(0.464)$$

$$= 465.2 \text{ W/fin. In two fins } Q = 930.40 \text{ W/m width.}$$

about 97% increase over single fin.

This example illustrates that the thinner fin particularly with a higher value of thermal conductivity will be better.

Problem 4.10: A plate fin of 8 mm thickness and 60 mm length is used on a wall at 200°C. The convection coefficient is 25 W/m²K and the surroundings is at 35°C. The conductivity of the material is 210 W/mK. Determine the change in heat flow if the fin volume is used as a fin of 4 mm thickness 120 mm length.

(1) The heat flow in 8 mm fin is obtained as 481.74 W/m width from problem P.4.9.

(2) For 4 mm thick fin, 0.12 m long, using the short fin end insulated model.

Solution:

$$m = \sqrt{(25 \times 2.008) / (210 \times 0.004)} = 7.73, \text{ mL } 0.928$$

$$\begin{aligned} Q &= \sqrt{(hPkA)} (T_b - T_\infty) \tanh (mL) \\ &= \sqrt{((25 \times 2.008 \times 210 \times 0.004))} (200 - 35) \tanh (0.928) = 781.8 \text{ W} \end{aligned}$$

There is an **improvement of only 62% as against 97% in the case of two fins of the same length. Increasing the length is less effective.**

Problem 4.11: A motor body outside dia is 30 cm and its surface temperature should not exceed 50°C when dissipating 0.15 kW. The length of the body is 20 cm. Longitudinal fins of 12 mm thickness and 30 mm height are proposed. The conductivity of the material is 40 W/mK and the convection coefficient is 40 W/m²K. Determine the number of fins required. Atmospheric temperature is 35°C.

This is a short fin situation. Equation 4.12 is to be used.

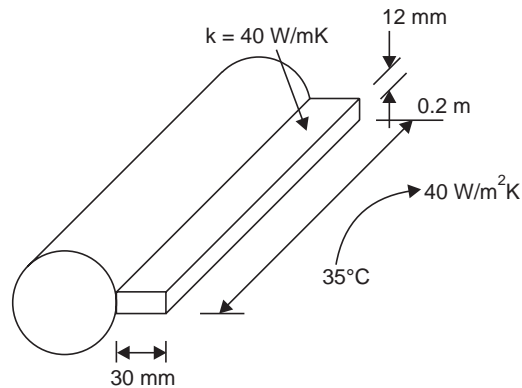


Fig. P.4.11. Problem model.

$$\text{Solution: } Q = \sqrt{(hPkA)} (T_b - T_\infty) \cdot \{[(\sinh (mL) + (h/mk) \cosh (mL))/(\cosh (mL) + (h/mk) \sinh (mL))]\}$$

$$m = \sqrt{((hP) / (kA))} = \sqrt{(40 / 40) ((0.2 + 0.012) \times 2 / (0.2 \times 0.012))} = 13.292,$$

$$mL = 0.39875$$

$$\begin{aligned} Q &= \sqrt{(40 \times 0.424 \times 40 \times 0.2 \times 0.012)} (50 - 35) (\sinh (0.39875) \\ &\quad + (40 / 13.292 \times 40) \cosh (0.39875)) / (\cosh (0.39875) \\ &\quad + (40 / 13.292 \times 40) \sinh (0.39875)) = 8.45 \text{ W} \end{aligned}$$

Number of fins required = 150/8.45 = 18 fins

The pitch will be, assuming that fins are arranged over 270°

$$(\pi D \times 270) / (360) \times (1) / (18) = 40 \text{ mm.}$$

Problem 4.12: Frying requires oil to be heated to about 350°C. A laddle is used in the frying. The section of the handle is 4 mm × 15 mm. The surroundings are at 35°C. The conductivity of the material is 210 W/mK. If the temperature at a distance of 40 cm from the oil should not reach 45°C, determine the convection heat transfer coefficient required.

The situation can be modelled as shown in Fig. P.4.12.

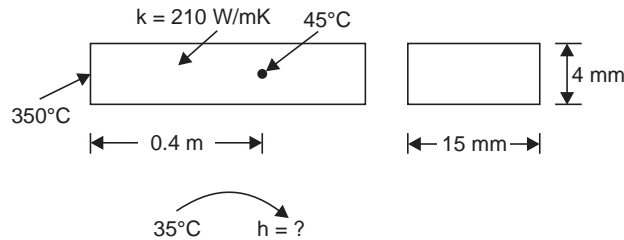


Fig. P.4.12

Solution: Long fin assumption can be made:

$$P = (15 + 4) 2 \text{ mm} = 0.038 \text{ m.}$$

$$A = 0.015 \times 0.004 \text{ m}^2, x = 0.4 \text{ m.}$$

$$(T - T_{\infty}) / (T_b - T_{\infty}) = e^{-mx}, m = \sqrt{(hP / kA)} = ?$$

$$(45 - 35) / (350 - 35) = e^{-m \times 0.4} \quad \therefore m = 8.625 = \sqrt{((h \times 0.038) / (210 \times 0.015 \times 0.004))}$$

\therefore **$h = 24.67 \text{ W/m}^2\text{K}$** , Some air circulation is required.

It instead of aluminium, stainless steel with $k = 22 \text{ W/mK}$ is used, then,

$$8.625 = \sqrt{(h \times 0.038) / (22 \times 0.015 \times 0.004)},$$

$h = 2.58 \text{ W/m}^2\text{K}$ and this is a better proposition as it is easier to obtain.

Problem 4.13: A rectangular fin has to be designed for maximum heat flow per given volume. The sectional area available is 5 cm^2 . The convective heat transfer coefficient has value of $100 \text{ W/m}^2\text{K}$. The conductivity of the material is 200 W/mK . Using short fin end insulated conditions determine the thickness for maximum heat flow.

Assuming a thickness $t \text{ m}$, the length will be $(5 \times 10^{-4} / t) \text{ m}$, Considering depth of 1 m , $P = 2 \text{ m}$, and $A = t \times 1 \text{ m}^2$

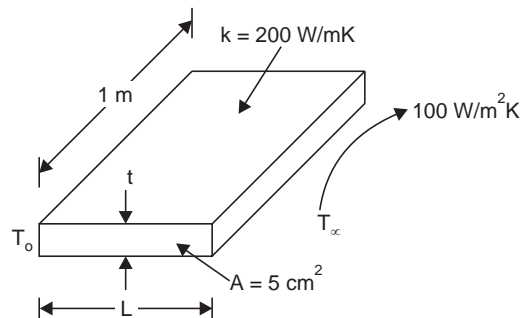


Fig. P.4.13. Problem model.

Solution:

$$Q = \sqrt{(hPkA)} (T_b - T_{\infty}) \tanh (mL)$$

$$= \sqrt{(hPk)} \cdot (T_b - T_{\infty}) \sqrt{t} \cdot \tanh \left\{ \sqrt{((hP) / (kt))} \cdot 5 \times 10^{-4} / t \right\}$$

letting $(hPk) (T_b - T_\infty) = C$, and substituting the values for the remaining

$$Q = C \sqrt{t} \cdot \tanh \left(\sqrt{(100 \times 2 / 200)} 5 \times 10^{-4} (1/t^{3/2}) \right)$$

$$= C \sqrt{t} \tanh \sqrt{5 \times 10^{-4} / t^{3/2}}$$

differentiating Q with respect to t

$$(dQ)/(dt) = \text{constant} [(t^{1/2}) \times 5 \times 10^{-4} \times (-3/2) t^{(-3/2)-1} / (\cosh^2 (5 \times 10^{-4}/t^{3/2}))]$$

$$+ \text{constant } t^{-1/2} \cdot \tanh (5 \times 10^{-4}/t^{3/2})^{1/2}$$

Equating to zero,

$$3 \times 5 \times 10^{-4} t^{(1/2)-(5/2)+(1/2)} = (\cosh^2 (5 \times 10^{-4}/t^{3/2}) / (\tanh (5 \times 10^{-4}/t^{3/2})))$$

$$15 \times 10^{-4}/t^{3/2} = \cosh (5 \times 10^{-4}/t^{3/2}) \sinh (5 \times 10^{-4}/t^{3/2})$$

This is solved by trial starting from 0.01 m and going down.

Assumed:

Thickness mm:	10	8	6	5	4	3
RHS value:	0.59	0.95	2.21	4.215	13.01	3.88
LHS value:	1.5	2.1	3.23	4.243	5.93	4.118

The optimum thickness is 0.005 m or **5 mm**.

check : using $Q = \sqrt{(hPkA)} (T_b - T_\infty) \tanh (mL)$

Assumed

thickness mm:	10	8	6	5	4	3
Length mm:	50	62.5	83.33	100	125	166.6
Heat flow/ ΔT :	9.24	10.79	12.26	12.56	12.17	10.90

The value of heat flow is seen as maximum at $t = 5 \text{ mm}$ (about).

Problem 4.14: A volume of 5 cm^3 is available for a circular pin fin. Determine the optimum diameter. Conductivity = 200 W/mK , convection coefficient = $200 \text{ W/m}^2\text{K}$. Assume end insulated fin.

Solution: $Q = \sqrt{(hPkA)} \cdot (T_b - T_\infty) \cdot \tanh (mL)$

Assuming a diameter D , and noting $(\pi D^2/4) \cdot L = 5 \times 10^{-6}$

$$Q = \sqrt{(hk)} (T_b - T_\infty) \sqrt{(\pi D \pi D^2 / 4)}$$

$$\tanh 0.5 [(h/k) \cdot (\pi D \cdot 4/\pi D^2) \cdot (5 \times 10^{-6} \times 4)/(\pi D^2)]^{0.5}$$

$$= (\pi/2) \sqrt{(hk)} (T_b - T_\infty) \cdot D^{3/2} \tanh [c/D^{5/2}]$$

where

$$c = \sqrt{4h/k} \times 4 \times 5 \times 10^{-6}/\pi$$

$$\text{Let } (\pi/2) \sqrt{(hk)} (T_b - T_\infty) = C_1$$

$$Q = C_1 D^{3/2} \cdot \tanh [c D^{-5/2}]$$

$$(dQ/dD) = C_1 [D^{3/2} c (-5/2) D^{(-5/2)-1} / \cosh^2 (cD^{-5/2})]$$

$$+ (3/2) D^{(3/2-1)} \tanh (cD^{-5/2})\}$$

Equating to zero, $(5/3) cD^{-5/2} = \cosh (cD^{-5/2}) \sinh (cD^{-5/2})$

$$c = \sqrt{((100 \times 4) / (200))} \times 4 \times 5 \times 10^{-6} / \pi = 9 \times 10^{-6}$$

Substituting and solving by trial **D = 0.01 or 10 mm.**

As a check Q is calculated using

$$Q = \sqrt{(hPkA)} (\Delta T) \tanh (mL), \text{ Assuming } D, L \text{ can be calculated as } (\pi D^2/4)$$

$$L = 5 \times 10^{-6}$$

Assumed

Value of D mm	5	6	7	8	9	10	11
Heat flow / ΔT	0.079	0.109	0.127	0.146	0.156	0.159	0.156

Maximum heat flow at D = 10 mm.

Problem 4.15: A copper fin 12 mm dia and 200 mm long spans two walls one at 200°C and the other at 120°C. The thermal conductivity of the material is 330 W/mK. Air at 30°C flows between the walls and the convection coefficient over the rod was 56.8 W/m²K. Determine the heat flow through the rod. Also find the temperature at the mid section and the location and value of the minimum temperature.

The data are presented in Fig. P.4.15.

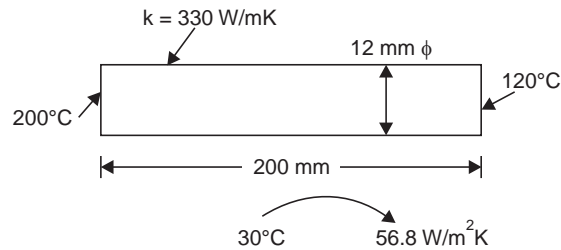


Fig. P.4.15

Solution: The model suitable is a fin with specified end temperatures. Using equations 4.8 and 4.13.

$$(T - T_{\infty}) / (T_b - T_{\infty}) = \{[(T_L - T_{\infty}) / (T_b - T_{\infty})] \sinh (mx) + \sinh m (L - x)\} / [\sinh (mL)]$$

at the centre: $x = 0.1$ m, $L = 0.2$ m.

$$m = \sqrt{((hP) / (kA))} = \sqrt{((56.8 \times \pi \times 0.012 \times 4) / (330 \times \pi \times 0.012^2))} = 7.575$$

$$(T - 30) / (200 - 30) = \{[(120 - 30) / (200 - 30)] \sinh (7.575 \times 0.1) + \sinh (7.575) (0.2 - 0.1)\} / (\sinh (7.575 \times 0.2))$$

$$\mathbf{T = 129.9^{\circ}\text{C}}$$

To find the minimum temp. location, find $(dT)/(dx)$ and equate to zero

$$\{(T_L - T_{\infty}) / (T_b - T_{\infty})\} \cosh (mx) m + (-m) \cosh m (L - x) = 0$$

or $\{(T_L - T_{\infty}) / (T_b - T_{\infty})\} \cosh (mx) = \cosh m (L - x)$, solving by trial

The minimum temperature location is $x = 0.169$ m.

$$\begin{aligned} (T_{\min} - 30)/(200 - 30) &= [((120 - 30)/(200 - 30)) \sinh(7.575 \times 0.169) \\ &\quad + \sinh(7.575 \times (0.02 - 0.169))]/\sinh(7.575 \times 0.2) \\ &= 0.5153 \end{aligned}$$

$$\therefore T_{\min} = 117.61^\circ\text{C}$$

$$\begin{aligned} \text{Heat flow: } Q &= \sqrt{(hPkA)} \{(T_b - T_\infty) + (T_L - T_\infty)\} (\cosh mL - 1)/(\sinh mL) \\ &= \sqrt{((56.8 \times \pi \times 0.012 \times 330 \times \pi \times 0.012^2 / 4))} \{(200 - 30) \\ &\quad + (120 - 30)\} [(\cosh(m \times 0.2) - 1)/\sinh(m \times 0.2)] = 47 \text{ W.} \end{aligned}$$

Check: Considering as two fins of $L = 0.169$ and 0.031

$$\begin{aligned} Q &= Q_1 + Q_2 = \sqrt{(hPkA)} (T_b - T_\infty) \tanh(mx) + \sqrt{(hPkA)} (TL - T_\infty) \tanh m(L - x) \\ &= 41.16 + 5.87 = 47.03 \text{ W.} \end{aligned}$$

Check for temp: ($L = 0.169$)

$$(T - T_\infty)/(T_b - T_\infty) = 1/\cosh(mx) = 0.156 \quad T = 117.74^\circ\text{C.}$$

Problem 4.16: For the purpose of thermal process requirements the junction of two long rods of 5 mm dia are to be held at 700°C . The rods are exposed to air to 30°C with a convection coefficient of $12 \text{ W/m}^2\text{K}$. Determine the power input needed in the case of materials with following conductivity values (i) 360 W/mK , (ii) 218 W/mK and (iii) 149 W/mK .

Solution: The situation is equivalent to the heat dissipation by long fins

$$Q = \sqrt{(hPkA)} (T_b - T_\infty)$$

As two rods are involved, power = $2Q$

$$(i) Q = \sqrt{(12 \times \pi \times 0.005 \times 360 \times \pi \times 0.005^2 / 4)} (700 - 30) = 24.5 \text{ W}$$

$$\text{Power} = 2 \times 24.5 = 49 \text{ W}$$

$$(ii) Q = \sqrt{(12 \times \pi \times 0.005 \times 218 \times \pi \times 0.005^2 / 4)} (700 - 30) = 19.03 \text{ W}$$

$$\text{Power} = 38.06 \text{ W}$$

$$(iii) Q = \sqrt{(12 \times \pi \times 0.005 \times 149 \times \pi \times 0.005^2 / 4)} (700 - 30) = 15.73 \text{ W}$$

$$\text{Power} = 31.46 \text{ W}$$

This condition is for steady state requirements. But the practical situation requires quick heating and the power requirements in the process will be several times more.

Problem 4.17: A fin in the form of a ring of 0.25 mm thickness and 15 mm OD and 15 mm long is used on an electric device to dissipate heat. Consider the outer surface alone to be effective and exposed to air at 25°C with a convection coefficient of $40 \text{ W/m}^2\text{K}$. The conductivity of the material is 340 W/mK . If the heat output is 0.25 W and if the device is also of the same OD, determine the device temperature with and without the fin.

Solution: The heat is lost from the surface of the device by convection **without fin**:

$$0.25 = 40 \times (\pi \times 0.015^2/4) (T_s - 25)$$

$$\therefore T_s = 60.36^\circ\text{C}$$

With the addition of the fin: Fig. P.4.17.

$$Q = \sqrt{hPkA} (T_o - T_\infty) \tanh(mL)$$

$$P = \pi \times 0.015,$$

$$A = (\pi/4) (0.015^2 - 0.0145^2),$$

$$L = 0.015 \text{ m}$$

$$m = \sqrt{(40 \times \pi \times 0.015) / (340 \times (\pi/4) (0.015^2 - 0.0145^2))} = 8.876.$$

$$\therefore mL = 28.876 \times 0.015 = 0.3281$$

Substituting

$$\begin{aligned} \therefore \sqrt{hPkA} &= \sqrt{(40 \times \pi \times 0.015 \times 340 \times \pi \times (0.015^2 - 0.0145^2)) / 4} \\ &= 0.08616 \end{aligned}$$

$$Q = 0.25 = 0.08616 \times \tanh(0.3281) (T_o - 25)$$

$$\therefore T_o = 9.16 + 25 = 34.16^\circ\text{C}.$$

There is a drop of 26.2°C due to the fin.

Problem 4.18: A handle fixed to a chemical process equipment is as shown in Fig. P.4.18. The handle is exposed to air at 37°C with a convection coefficient of $15 \text{ W/m}^2\text{K}$. The conductivity of the material is 20 W/mK . Determine the heat lost and also the temperature at the mid location.

The data given are shown in Fig. P.4.18(a).

Solution: The handle can be considered as equal to a fin of length 190 mm with specified end conditions. (Fig. P.4.18(b)).

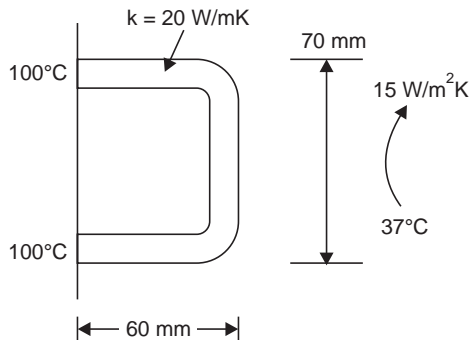


Fig. P.4.18. (a)

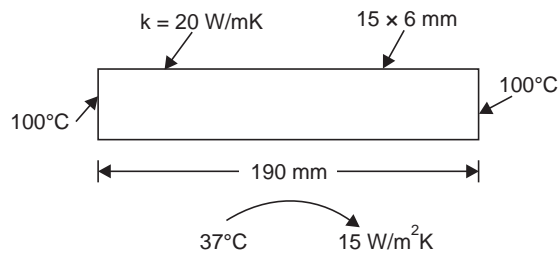


Fig. P.4.18. (b)

Using equation 4.8

$$m = \sqrt{(hP / kA)} = \sqrt{(15 \times 0.042 / 20 \times 0.015 \times 0.006)} = 18.7$$

$$mL = 3.555$$

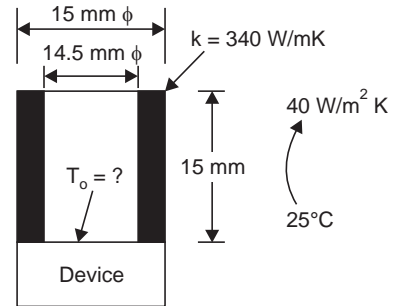


Fig. P.4.17

$$(T - T_\infty)/(T_b - T_\infty) = [((T_L - T_\infty)/(T_o - T_\infty)) \sinh(mx) + \sinh m(L - x)]/(\sinh(mL))$$

$x = 0.095$ m, substituting and calculating

$$(T - 37)/(100 - 37) = 0.329; T = 57.7^\circ\text{C}$$

$$Q = \sqrt{(hPkA)} \{(T_o - T_\infty) + (TL - T_\infty)\} \{(\cosh(mL) - 1)/(\sinh(mL))\}$$

$$= \sqrt{(15 \times 0.042 \times 20 \times 0.015 \times 0.006)} \{(100 - 37) + (100 - 37)\}$$

$(\cosh(3.555) - 1)/\sinh(3.555) = 4.01\text{W}$ (Check considering two fins).

Problem 4.19: A plane wall exposed to a fluid with a convection coefficient is found insufficient to dissipate the heat. One mm thick plate fins of 40 mm length are added with a pitch of 10 mm. The addition of the fins causes a reduction in the convection coefficient to $30 \text{ W/m}^2\text{K}$ from the original value of $40 \text{ W/m}^2\text{K}$. If the conductivity of the material is 210 W/mK determine the percentage increase in heat dissipation.

The data are shown in fig P. 4.19.

Heat dissipated by base surface of 1 pitch width, (considering 1 m depth)

$$Q = 40 \times 0.01 \times 1 \times (T_b - T_\infty) = 0.4 \Delta T$$

Solution: Heat dissipation with fin:

$$m = \sqrt{(hP/kA)} = \sqrt{(30 \times 2/210 \times 0.001)} = 16.9, mL = 6.76$$

$$\begin{aligned} Q &= 0.009 \times 30 \times 1 \times (T_b - T_\infty) + (\sqrt{(hPkA)} (T_b - T_\infty) \tanh(mL)) \\ &= 0.27\Delta T + \sqrt{30 \times 2 \times 210 \times 0.001} \tanh(6.76) \\ &= 3.82 \Delta T. \end{aligned}$$

The **increase** is about **855%**.

Thin, high conductivity fin leads to the increase, though there is a reduction in heat transfer coefficient.

Problem 4.20: A rectangular plate fin of 2 mm thickness and 15 mm length is being used on a surface. It is proposed to reduce the material to 70% and use a triangular fin of same base thickness. The convection coefficient is $100 \text{ W/m}^2\text{K}$ the conductivity is 200 W/mK . The base temperature is 5°C . The surrounding temperature is 35°C . Determine the heat gain in both the cases. Also find the effectiveness.

Solution: The original fin is rectangular. Assume 1 m depth, the volume is $0.002 \times 0.015 \times 1 \text{ m}^3$. Now using 70% of the volume this is made into a triangular fin: length $- 0.7 \times 0.002 \times 0.015 \times 1 = 0.001 \times L \times 1 \therefore L = 0.021 \text{ m}$.

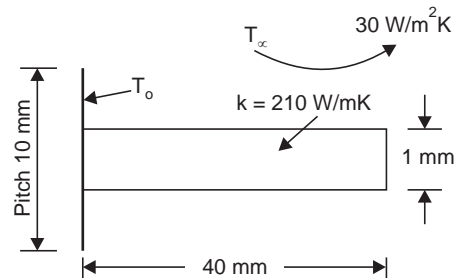


Fig. P.4.19.

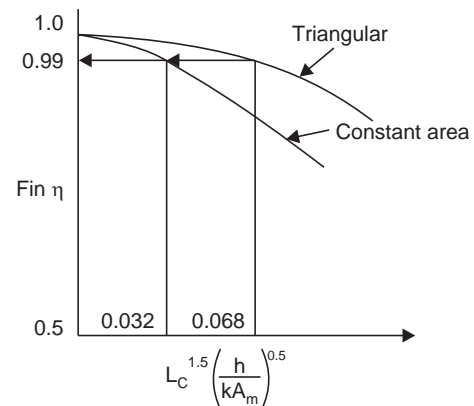


Fig. P.4.20. Skeleton chart

The heat flow is found using the chart

rectangular fin:

$$L_c = L + (t/2) = 0.016 \text{ m}$$

$$A_p = 0.002 \times 1 \text{ m}^2$$

$$A_s = 2 \times 0.016 \times 1 \text{ m}^2$$

$$L_c^{1.5} [h/kA_m]^{0.5} = 0.032$$

Triangular fin:

$$L_c = L = 0.021 \text{ m}$$

$$A_p = 0.001 \times 1 \text{ m}^2$$

$$A_s = 2 \times 0.021 \times 1 \text{ m}^2$$

$$L_c^{1.5} [h/kA_m]^{0.5} = 0.068$$

Entering the chart with these values efficiencies are read as 0.99 and 0.99 for triangular and rectangular fins. (Method is indicated in Fig. 4.20)

Heat flow: **rectangular fin:**

$$\begin{aligned} Q &= \text{fin eff. } h A_s (T_b - T_\infty) \\ &= 0.99 \times 100 \times 2 \times 0.016 (5 - 35) \\ &= \mathbf{95.04 \text{ W (inwards)}} \end{aligned}$$

Triangular fin: $Q = 0.99 \times 100 \times 2 \times 0.021 (5 - 35) = \mathbf{124.74 \text{ W (inwards)}}$

An increase of 23.8% after reduction in volume of material of 30%

Effectiveness: $\frac{\text{Heat flow by fin}}{\text{heat flow over area replaced by fin}}$

(i) **Rectangular:** $95.04/100 \times 0.002 (5 - 35) = \mathbf{15.84}$

(ii) **Triangular:** $124.74/100 \times 0.002 (5 - 35) = \mathbf{20.79}$.

Problem 4.21: A thermometer well is made of 1 mm thick material of thermal conductivity 55 W/mK and the inner diameter is 8 mm. The convection coefficient on the surfaces is 50 W/m²K. The wall temperature is 120°C. The thermometer placed in contact with well bottom reads 380°C. Determine the fluid temperature and the error as a percentage of true temperature in °C. Discuss the possible methods to reduce the error. The length of the well is 6 cm.

Solution: The data are shown in Fig. P.4.21. Let the fluid temperature be T_∞ . The thermometer well can be considered as a short fin (end insulated). Only the outer surface is effective for convection. Measuring x from wall surface, $L = 0.006 \text{ m}$, $P = \pi \times 0.01 \text{ m}$, $A = (\pi/4) (0.010^2 - 0.008^2)$

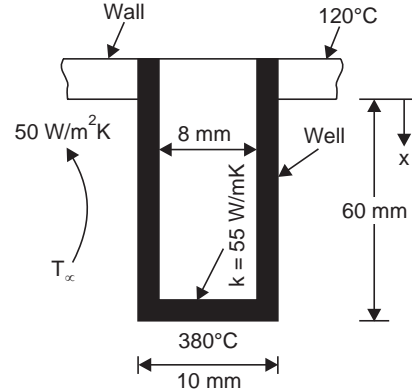


Fig. P.4.21 . Thermometer well.

$$\begin{aligned} m &= \sqrt{(hP/kA)} = \sqrt{((50 \times 0.01 \times \pi \times 4) / (55 \times \pi \times (0.01^2 - 0.008^2)))} \\ &= 31.782, \quad mL = 1.907 \end{aligned}$$

$$(T - T_\infty)/(T_b - T_\infty) = (380 - T_\infty)/(120 - T_\infty) = 1/(\cosh mL) = 0.291$$

$$380 - T_\infty = 0.291 (120 - T_\infty) = 34.88 - 0.291 T_\infty$$

$$380 - 34.88 = (1 - 0.291) T_\infty; \quad \mathbf{T_\infty = 487^\circ\text{C}}$$

The **error involved** is $487 - 380 = \mathbf{107^\circ\text{C}}$ or **22%**. The reasons can be

(1) The wall temperature is too different from the fluid temperature which may not be the case most of the time

(2) Low value of thermal conductivity

(3) Short length and

(4) Low convection coefficient.

Problem 4.22: Consider the data in problem P.4.21. If the wall temperature is 300°C and if $h = 300 \text{ W/m}^2\text{K}$ and $L = 0.08 \text{ m}$ determine the error:

Solution: $m = \sqrt{(hP/kA)} = \sqrt{(300 \times \pi \times 0.01 \times 4 / 55 \times \pi \times (0.01^2 - 0.008^2))} = 77.88,$

$$mL = 6.228$$

$$(T - T_\infty)/(T_b - T_\infty) = (380 - T_\infty)/(300 - T_\infty) = 1/\cosh(6.228) = 0.0039$$

$$380 - 1.184 = 0.9061 T_\infty$$

$$T_\infty = 380.32^\circ\text{C} \quad \text{Error is } 0.32^\circ\text{C}$$

This shows that the well should be longer and the convection coefficient higher to reduce the error.

Problem 4.23: A thermometer well of 10 mm OD and 8 mm ID is of material with thermal conductivity of 25 W/mK . It is exposed to gases at 2°C , and the temperature of the wall in which the well is fixed is 12°C . If an error of not more than 0.6°C is to be involved, determine the length of the well $h = 50 \text{ W/m}^2\text{K}$.

The data are shown in Fig. P.4.23.

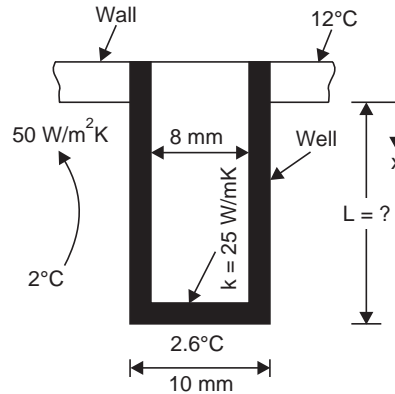


Fig. P.4.23. Thermometer wall.

Solution: Assuming end insulated boundary,

$$P = \pi \times 0.01 \text{ m}$$

$$A = (\pi/4) (0.01^2 - 0.008^2) \text{ m}^2$$

$$(T - T_\infty)/(T_b - T_\infty) = (2.6 - 2)/(12 - 2) = 1/\cosh(mL) = 0.6/10 = 0.06$$

$$mL = 3.506 ; m = \sqrt{(hP/kA)} = \sqrt{(50 \times \pi \times 0.01 \times 4 / 25 \times \pi \times (0.01^2 - 0.008^2))}$$

$$= 47.14$$

$$L = 0.0744 \text{ m or } 7.44 \text{ cm.}$$

Problem 4.24: Circumferential fins of constant thickness of 1 mm are fixed on a 50 mm pipe at a pitch of 4 mm. The fin length is 20 mm. The wall temperature is 130°C . The thermal conductivity of the material is 210 W/mK . The convection coefficient is $50 \text{ W/m}^2\text{K}$. Determine the heat flow and effectiveness.

Solution: The data are shown in Fig. 4.24 (a)

$$r_1 = 0.025 \text{ m}, r_2 = 0.045 \text{ m}$$

$$r_{2c} = 0.045 + 0.0005 = 0.0455 \text{ m}$$

$$r_{2c}/r_1 = 0.0455/0.025 = 1.82$$

$$L_c = L + t/2 = 0.0205 \text{ m}$$

$$A_p = L_c \times t = 0.0205 \times 0.001$$

$$A_s = 2\pi (r_{2c}^2 - r_1^2)$$

$$L_{c1.5} (h/kA_m)^{0.5} = 0.0205^{1.5} [50/(210 \times 0.0205 \times 0.001)]^{0.5} = 0.316$$

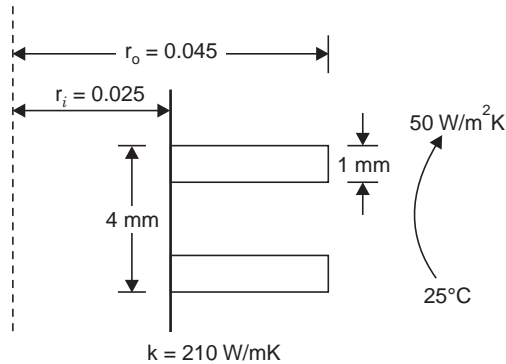


Fig. P.4.24 (a) A circumferential fins.

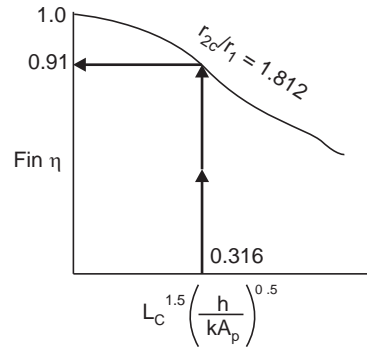


Fig. P.4.24 (b) Skeleton chart.

Entering the chart at this value (Fig. 4.24(b)) the efficiency is read as 0.91

$$Q_f = \text{fin eff. } A_s h(\Delta T)$$

$$= 0.91 \times 2\pi (0.0455^2 - 0.025^2) \times 50 \times (130 - 25) = 43.38 \text{ W.}$$

Heat flow on the **bare area** is

$$Q_c = 2 \times \pi \times 0.025 \times 0.003 \times 50 (130 - 25) = 2.47 \text{ W}$$

Total heat flow per pitch distance = 45.85 W

Without fin : $2 \times \pi \times 0.025 \times 0.004 \times 50 (130 - 25) = 3.3 \text{ W}$, an increase of **14 fold**.

Effectiveness = 55.59 (try this out).

Example 4.25: In the problem 4.24, if there is a contact resistance of $0.88 \times 10^{-4} \text{ m}^2\text{C/W}$, find the heat flow through the fin.

The contact resistance reduces the base temperature and so the heat flow is reduced.

Solution: The heat flow is 43.38 W,

Resistance for the area of the fin contact surface is given by

$$(0.88 \times 10^{-4} \text{ m}^2\text{C/W})(\pi \times 0.025 \times 0.001 \text{ m}^2) = 0.56^\circ \text{ C/W}$$

Therefore temperature drop = $43.38 \times 0.56 = 24.3^\circ\text{C}$ or $T_0 = (130 - 24.3) = 105.7^\circ \text{ C}$

Corrected heat flow = 33.3 W, temp. drop at contact = $33.3 \times 0.56 = 18.65^\circ\text{C}$

This process is repeated till the difference is small

$$T_o = 111.4^\circ\text{C}$$

Corrected $Q = 35.7 \text{ W}$

$$\Delta T = 20^\circ\text{C corrected } Q = 35.1 \text{ W, and so on.}$$

The **final answer is $Q = 35.2 \text{ W}$ and ΔT at base = 19.7°C** or the actual base temperature is 110.3°C .

It can be seen that contact resistance drastically reduces the heat flow in fins and hence every attempt should be made to obtain good contact between surfaces.

Example 4.26: The outer diameter of a small engine cylinder is 56 mm. Determine the heat dissipation by a circumferential fin of 4 mm thickness and 40 mm length if $k = 210 \text{ W/mK}$ and $h = 115 \text{ W/m}^2\text{K}$. The base temperature is 200°C and surroundings are at 35°C .

Solution: The data are shown in Fig. P.4.26(a).

$$r_1 = 0.028 \text{ m}, r_2 = 0.068 \text{ m}$$

$$r_{2c} = r_2 + t/2 = 0.07 \text{ m}$$

$$r_{2c}/r_1 = 0.07/0.028 = 2.5$$

$$L_c = L + t/2 = 0.042 \text{ m}$$

$$A_p = 0.042 \times 0.004, A_s = 2\pi (r_{2c}^2 - r_1^2)$$

$$L_c^{3/2} [h/kA_p]^{0.5} = 0.042^{1.5} [(115)(210 \times 0.042 \times 0.004)]^{0.5} = 0.491$$

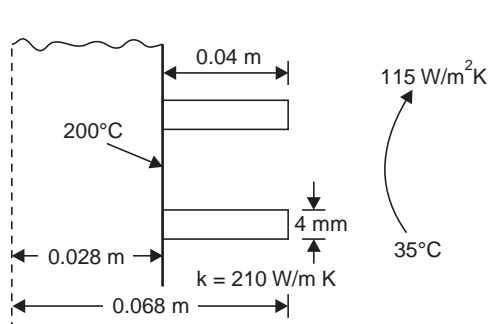


Fig. P.4.26. (a) Model.

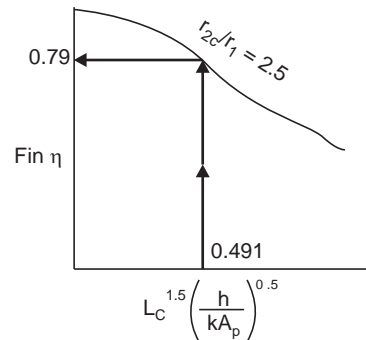


Fig. P.4.26. (b) Skeleton chart.

Entering the chart at 0.491 reading on curve for 2.5 as in (Fig. P.4.26(b)). **Fin eff. = 0.79.** $Q = 0.79 \times 2\pi (0.07^2 - 0.028^2) (100 - 35) \times 115 = 152.7 \text{ W}$.

Example 4.27: Annular aluminium fins of 1 mm thickness and 15 mm length are fixed on copper tubes of OD 16 mm at 0°C . Air at 30°C passes over the fins with a convection coefficient of $100 \text{ W/m}^2\text{K}$. If $k = 225 \text{ W/mK}$, determine the heat gain per fin, for a capacity of 2 kW, determine the tube requirements if pitch is 5 mm.

Solution: The data are shown in Fig P.4.27. Using table 4.4 :

$$r_1 = 0.008 \text{ m}, r_2 = 0.023 \text{ m}$$

$$r_{2c} = r_2 + t/2 = 0.0235 \text{ m.}$$

$$L = 0.015 \text{ m}, L_c = 0.0155 \text{ m}$$

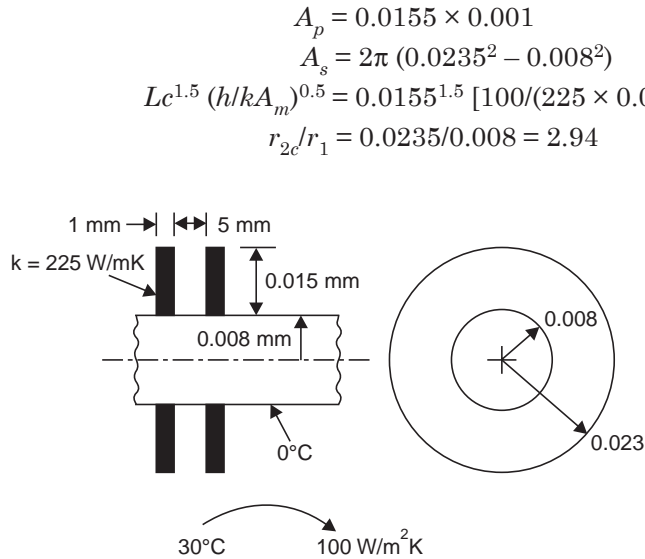


Fig. P. 4.27 (a) Model.

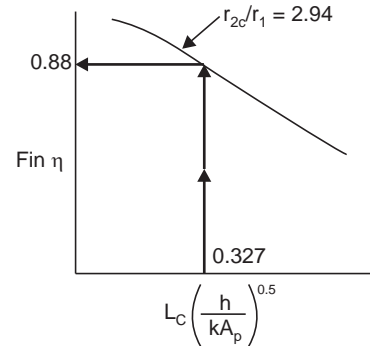


Fig. P.4.27 (b) Skeleton chart.

Entering the chart at this value the fin efficiency is read as 0.88 (as in Fig. 4.27(b))

$$Q = 0.88 \times 100 \times 2\pi (0.0235^2 - 0.008^2) (100 - 30) = 8.1 \text{ W}$$

Per pitch length

$$Q = 8.1 + \pi Dh \Delta T l$$

$$= 8.1 + \pi \times 0.016 \times 100 \times 30 \times 0.004 = 8.7 \text{ W}$$

No of pitch distances $2000/8.7 = 229$, length = **1.15 m**.

Example 4.28 : Annular fins, 2 mm thick and 15 mm length are fixed on a 30 mm tube at 100°C . Air at 30°C flows over the fins with a convection coefficient of $75 \text{ W/m}^2\text{K}$. $k = 235 \text{ W/mK}$. A contact resistance of $2 \times 10^{-4} \text{ m}^2 \text{ K/W}$ is encountered. Determine the reduction in heat flow due to the contact resistance.

Solution: Using the chart.

$$r_1 = 0.015 \text{ m}, r_2 = 0.03 \text{ m}, r_{2c} = 0.031 \text{ m}, t = 0.002 \text{ m}$$

$$L = 0.015 \text{ m}; L_c = 0.016 \text{ m}, r_{2c}/r_1 = 0.031/0.015 = 2.07$$

$$A_p = Lc.t = 0.016 \times 0.002, A_s = 2\pi (0.031^2 - 0.015^2)$$

$$Lc^{1.5} (h/kA_p)^{0.5} = 0.016^{1.5} [75/(235 \times 0.016 \times 0.002)]^{0.5} = 0.2021$$

Entering the chart at 0.2021 and reading on curve for $r_{2c}/r_1 = 2.07$ (interpolation) fin efficiency is **0.94** (as in figures of previous problems 4.27)

$$Q = 2\pi (0.031^2 - 0.015^2) \times 75 \times 0.94 (100 - 30) = 22.82 \text{ W.}$$

The temperature drop at contact depends on heat flow and vice versa. So a trial solution is necessary.

The contact resistance for the area of contact.

$$= (2 \times 10^{-4})/(\pi \times 2 \times 0.015 \times 0.002) = 1.061^\circ\text{C/W}$$

$$\text{Contact temperature drop} = Q.R = 22.82 \times 1.061 = 24.2^\circ\text{C}$$

$$\text{Base temp.} = 75.8^\circ\text{C. corrected } Q = 14.93 \text{ W}$$

Final values are $\Delta T = 18^\circ\text{C}$

Base temp = 82.01°C . $Q = 16.95\text{ W}$ checks

A reduction of 26%.

Example 4.29: A flat aluminium plate 0.2 m wide and 3 mm thick and fairly long has its top exposed to solar radiation of 800 W/m^2 , all of which is absorbed. Heat is collected at the side edges at 60°C . The bottom is well insulated and top end losses are negligible. Determine the maximum temperature in the plate. $k = 240\text{ W/mK}$.

Solution: The data are shown in Fig 4.29.

The x coordinate is chosen at the fin centre. Considering a strip of width dx at a distance x from the centre, heat balance yields heat conducted in + heat received at this surface—heat conducted out = 0.

Taking unit length and considering thickness as t and heat flux as $q\text{ W/m}^2$

$$-k \times t \times 1 \left(\frac{dT}{dx} \right) - \left(-k \times t \times 1 \left(\frac{dT}{dx} \right) - \left(\frac{d}{dx} \right) \left[-kt \left(\frac{dT}{dx} \right) dx \right] \right) + \dot{q} d \times 1 = 0$$

$$\left(\frac{d^2 T}{dx^2} \right) + \dot{q}/kt = 0. \quad \dots(\text{P.29.1})$$

Integrating and using the boundary that at $x = L$, $T = T_w$
and at $x = 0$, $\left(\frac{dT}{dx} \right) = 0$, yields

$$(T - T_w) = (\dot{q}/2kt) (L^2 - x^2) \quad \dots(\text{P.29.2})$$

at $(T_0 - T_w) = (\dot{q}/2kt) L^2$

$$T_0 - 60 = (800/(2 \times 240 \times 0.003)) [0.1^2] \quad \dots(\text{P.29.3})$$

$$\therefore \mathbf{T_0 = 65.56^\circ\text{C}.}$$

Check : $Q = -kA \left(\frac{dT}{dx} \right) \big|_{x=L}$ from P.29.2, $\frac{dT}{dx} = (-q/kt) x$.

Substituting $Q = [-240 \times 0.003 \times (-800)/(0.003 \times 240)] \times 0.1 = 80\text{ W}$ checked. This is the heat received by the strip and so the values found are checked.

Example 4.30 : Using the data in problem P.4.29, if heat is lost by combined convection and radiation with a total coefficient of h , determine the temperature distribution and the maximum temperature.

Solution: Considering a strip of dx width at a distance x and writing the energy equation (Fig. 4.29).

heat conducted in + heat received by heat flux - heat conducted out-heat convected = 0.

$$-kA \left(\frac{dT}{dx} \right) + dx \times 1 \times q - \left\{ -kA \left(\frac{dT}{dx} \right) + \left(\frac{d}{dx} \right) \left(-kA \left(\frac{dT}{dx} \right) dx \right) - hdx (T - T_\infty) \right\} = 0$$

which reduces to (taking $A = t \times 1$)

$$\frac{d^2 T}{dx^2} + q/kt - (h/kt) (T - T_\infty) = 0.$$

Now introducing a new variable $\theta = T - T_\infty$, this reduces to

$$\left(\frac{d^2 \theta}{dx^2} \right) - (h/kt)\theta + q/kt = 0$$

Setting $m^2 = h/kt$, $\frac{d^2 \theta}{dx^2} - m^2 \theta + \frac{q}{kt} = 0 \quad \dots(\text{P.30.1})$

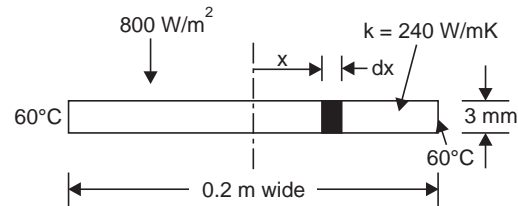


Fig. P.4.29.

This equation is of the standard form

$(d^2y/dx^2) - m^2y + S = 0$ for which the general solution is

$$y = c_1 e^{mx} + c_2 e^{-mx} + S/m^2$$

The solution for eqn. 30.1 is

$$\theta = c_1 e^{mx} + c_2 e^{-mx} + (q/kt) (kt/h) = c_1 e^{mx} + c_2 e^{-mx} + (q/h)$$

$$\theta = T - T_\infty = c_1 e^{mx} + c_2 e^{-mx} + q/h$$

at $x = 0$, $dT/dx = 0$, $mc_1 e^{mx} - mc_2 e^{-mx} = 0$, and $x = 0$, so $c_1 = c_2$

$$T - T_\infty = c_1 (e^{mx} + e^{-mx}) + q/h$$

At $x = L$,

$$T = T_w$$

$$(T_w - T_\infty) = c_1 (e^{mL} + e^{-mL}) + q/h$$

$$c_1 = ((T_w - T_\infty)/(e^{mL} + e^{-mL})) - (q/h)/(e^{mL} + e^{-mL})$$

$$T - T_\infty = (T_w - T_\infty)((e^{mx} + e^{-mx})/(e^{mL} + e^{-mL})) - (q/h)((e^{mx} + e^{-mx})/(e^{mL} + e^{-mL})) + q/h$$

or

$$T - T_\infty = (T_w - T_\infty) (\cosh (mx)/\cosh (mL)) + (q/h) (1 - (\cosh mx)/(\cosh mL))$$

maximum temperature is at $x = 0$

$$T_0 - T_\infty = (T_w - T_\infty) (1/\cosh mL) + (q/h) [1 - (1/\cosh mL)].$$

Problem 4.31: In the problem 4.30 consider the following data and find the maximum temperature : $q = 800 \text{ W/m}^2$, Total width 15 cm, $k = 240 \text{ W/mK}$, $h = 10 \text{ W/m}^2\text{K}$, $t = 0.003 \text{ m}$, $T_w = 60^\circ\text{C}$, $T_\infty = 30^\circ\text{C}$. Also find the heat flow by each mode.

(Read the problem 4.31)

Solution:

$$m = \sqrt{h/kt} = \sqrt{(10/240 \times 0.003)} = 3.73, \quad mL = 0.28$$

$$(i) \quad T_0 - T_\infty = (60 - 30)/\cosh (0.28) + (800/10) (1 - 1/\cosh (0.28)) \\ = 28.86 + 3.04 = 31.90$$

$$T_0 = 61.90^\circ\text{C}$$

(ii) **Heat flow by conduction** = $-kA[(dt/dx)]$ at $x = L$

$$T - T_\infty = (T_w - T_\infty)/(\cosh (mx)/[\cosh (mL)]) + (q/h)(1 - (\cosh mx)/\cosh mL)$$

$$[dt/dx] L = ((T_w - T_\infty)/(\cosh mL)) m \sinh mL - (q/h) m (\sin mL)/(\cosh mL)$$

$$= m (T_w - T_\infty) \tanh (mL) - (q/h) m \tanh (mL)$$

$$= 3.73 (60 - 30) \tanh (0.28) - (800/10) 3.73 \tanh (0.28) = -50.89$$

$$-kA[dt/dx] | L = -240 \times 0.003 \times -50.89 = 36.64 \text{ W.}$$

(iii) **Heat flow by convection:**

$$\int_0^L h(T - T_\infty) dx = \int_0^L h((T_w - T_\infty)/(\cosh mL)) \cosh (mx) dx + \int_0^L (q/h)$$

$$(1 - (\cosh mx)/(\cosh mL)) dx$$

$$= h ((T_w - T_\infty)/(m) \tanh (mL) + q[L - (1/m) \tanh (mL)])$$

$$= 10 \times ((60 - 30)/3.73) \tanh (0.28) + 800[0.075 - (1/3.73) \tanh (0.28)]$$

$$= 21.95 + 1.47 = 23.42 \text{ W}$$

$$\text{Total} = 36.64 + 23.42 = 60.08 \text{ W}$$

$$\text{Total input} = 0.075 \times 800 = 60 \text{ W} \quad \text{so checks.}$$

Problem 4.32: A circular strip of aluminium 3 mm thick and 0.2 m diameter is exposed to solar radiation of 800 W/m^2 at the top. The bottom is insulated and the top losses are negligible. If heat is collected around the circumference at 60°C , determine the centre temperature. $k = 240 \text{ W/mK}$.

Solution: Refer Fig. P.4.29 Considering the strip of width dr at r , the energy balance is

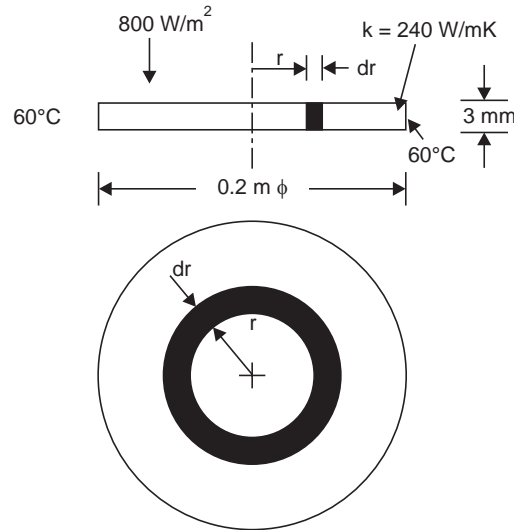


Fig. P.4.32. Model.

$$-k2\pi r t (dT)/(dr) - [-k2\pi r t (dT)/(dr) + (d/dr) (-k2\pi r t (dT/dr) dr)] + q 2\pi r dr = 0$$

$$\text{On simplification } (d/dr) (rdT/dr) = (-q/kt)r \quad \dots(1)$$

Integrating and using boundary conditions,

$$dT/dr = 0 \text{ at } r = 0 \quad \text{and} \quad T = T_w \text{ at } r = R$$

$$T - T_w = (q/4kt) (R^2 - r^2) \quad \dots(2)$$

$$T_0 = T_w + (q/4kt)R^2 = T_w + (800 \times 0.1^2)/(4 \times 240 \times 0.003) = 60 + 2.78 \\ = 62.78^\circ\text{C}$$

Check: heat flow $= -kA (dT)/(dr) |_{r=R} ; (dT/dr) = (-q/2kt) r$

$$Q = -k2\pi R t \times (-q/2kt)R = \pi R^2 q \text{ which is the heat received.}$$

Problem 4.33: Heat is generated at q (W/m^3) in a thin rod of diameter D and length $2L$ with a thermal conductivity of k and is exposed at the surface to convection to a fluid at T_∞ with a convection coefficient of h . The ends are also maintained at T_∞ using a heat sink. With x coordinate origin at mid point, derive an expression for the temperature distribution.

Solution: Considering the slice of thickness dx at a distance of x from origin, and taking the heat balance, (Fig. P.4.33).

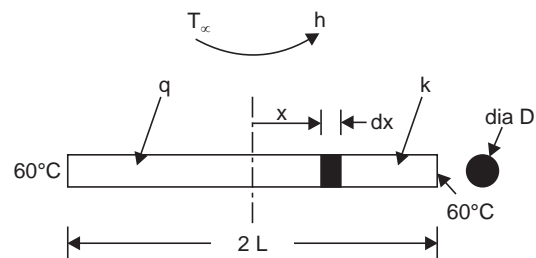


Fig. P.4.33. Model.

Net heat conducted + heat generated – heat convected = 0

$$-kA \frac{dT}{dx} - [-kA \frac{dT}{dx} + (d/dx)(-kA \frac{dT}{dx}) dx] + q dx A - hP dx (T - T_\infty) = 0$$

$$d^2 T/dx^2 - (hP/kA)(T - T_\infty) + q/k = 0$$

Introducing a new variable, $\theta = T - T_\infty$, and also defining $m^2 = hP/kA$, this equation reduces to

$$d^2\theta/dx^2 - m^2\theta + q/k = 0$$

This is a standard form for which the solution is

$$\theta = c_1 e^{mx} + c_2 e^{-mx} + (q/km^2),$$

at $x = 0$, the boundary condition is $(dT/dx) = 0$ so $c_1 = c_2$

$$T - T_\infty = c_1 (e^{mx} + e^{-mx}) + q/km^2; \text{ at } x = L, T = T_\infty$$

$$0 = c_1 (e^{mL} + e^{-mL}) + q/km^2; c_1 = - (q/km^2) (1/(e^{mL} + e^{-mL}))$$

$$T - T_\infty = (q/km^2) [1 - \cosh mx/\cosh mL]$$

$$\therefore T_0 - T_\infty = (q/km^2) [1 - (1/\cosh mL)]$$

$$(T - T_\infty)/(T_0 - T_\infty) = (\cosh(mL) - \cosh(mx))/(\cosh(mL) - 1)$$

this equation gives the temperature distribution.

$$\text{Heat conducted} = -kA(dT/dx) | L = kA (q/km^2) m \tanh mL$$

$$= (qA/m) \times \tanh(mL) \text{ at } x = L$$

$$\text{Heat convected} = \int_0^L h(T - T_\infty) P dx = \int_0^L (hqP/km^2) [1 - \cosh mx/\cosh mL] dx$$

$$= (hqP/km^2)(L - (1/m) \tanh(mL))$$

Problem 4.34: A square rod of side 10 mm and 0.2 m length has a uniform heat generation rate of 10^6 W/m^3 . The thermal conductivity of the material is 25 W/mK and it is exposed to air at 30°C with a convective heat transfer coefficient of $25 \text{ W/m}^2\text{K}$. The ends are maintained at 30°C . Determine the temperature at the centre and also the heat conducted at the ends and the heat convected.

reading from problem 4.33, using eqn 33.1.

$$\text{Solution: } T_0 - T_\infty = \{q/km^2\} [1 - 1/\cosh(mL)], m = \sqrt{(hP/kA)}$$

$$h = 25 \text{ W/m}^2 \text{ K}, P = 0.04 \text{ m}, k = 25 \text{ W/mK}, A = 1 \text{ cm}^2 = 1 \times 10^{-4} \text{ m}^2$$

$$m = \sqrt{(25 \times 0.04/25 \times 1 \times 10^{-4})} = 20, m^2 = 400, mL = 20 \times 0.1 = 2$$

$$T_0 - 30 = (10^6/(25 \times 400)) [1 - 1/\cosh(2)] = 73.42^\circ\text{C}$$

$$\therefore T_0 = 103.42^\circ\text{C}$$

$$\text{Heat conducted: } Q = (qA/m) \tanh(mL) = (10^6 \times 1 \times 10^{-4}/20 \tanh(2))$$

$$= 4.82 \text{ W (one half length)}$$

$$\text{Heat convected: } (hqP/km^2) [L - (1/m) \tanh(mL)] = (25 \times 10^6 \times 0.04/(25 \times 400))$$

$$[0.1 - (1/20) \tanh(2)] = 5.18 \text{ W (One half length)}$$

Total = 10 W. Heat generated = $10^6 \times 1 \times 10^{-4} \times 0.1 = 10 \text{ W}$ checks.

Problem 4.35: A copper rod heated at one end is placed in an air stream. The diameter of the rod is 10 mm and the length is 80 mm. The base temperature is 80°C and the surrounding temperature is 30°C. It is found that 12 W power is needed to maintain steady conditions in the rod. Taking $k = 385 \text{ W/mK}$, determine the value of convective heat transfer coefficient over the surface.

Solution:

$$Q = \sqrt{(hPkA)} (T_0 - T_\infty) \tanh (mL) \text{ (end insulated)}$$

$$12 = \sqrt{h(\pi \times 0.01 \times 385 \times \pi \times 0.01^2/4)} (80 - 30) \tanh (m \times 0.08)$$

$$m = \sqrt{h} \sqrt{(P/kA)},$$

h is involved in the hyperbolic function also. Hence trial solution is made.

Q is found using various values of h . The trial values are listed.

Hence $h = 120 \text{ W/m}^2 \text{ K}$ corresponding to 12 W.

h	Q
60	6.65
100	10.36
120	12.00
140	13.61.

Problem 4.36: In a gas turbine stage the gas temperature at the blade surface is found to be 400°C. The convection coefficient over the surface is 260 W/m²K. The conductivity of the material is 25 W/mK. The root of the blade is at 300°C. The blade section has an area of 2.5 cm² and the average circumference is 10 cm. The height of the blade is 6 cm.

Determine the heat flow in at the root.

Solution: The blade acts as a fin. The section is not of simple geometric shape. However P and A are known

$$m = \sqrt{(hP/kA)} = \sqrt{((260 \times 0.1)/(25 \times 2.5 \times 10^{-4}))} = 64.5, mL = 3.87$$

Assuming end insulated condition.

$$Q = \sqrt{(hPkA)} (T_0 - T_\infty) \tanh (mL)$$

$$\sqrt{(260 \times 0.1 \times 25 \times 2.5 \times 10^{-4})} (400 - 300) \tanh (3.87)$$

$$= \mathbf{40.3 \text{ W/blade.}} \text{ (Heat flow at tip neglected).}$$

Problem 4.37: Formulate the set of simultaneous equations to be solved for a plate fin shown in Fig. 4.37. The depth is 1m.

Solution: Considering element 1,

$$\text{heat conducted in} = (115 - T_1)/(0.01)/(50 \times 0.019)$$

$$\text{heat conducted out} = (T_1 - T_2)/(0.01)/(50 \times 0.017)$$

$$\text{Heat convected} = 10(2 \times 0.01005) \times (T_1 - 20)$$

Using the energy balance this reduces to

$$85 T_2 - 180.201 T_1 + 10929 = 0$$

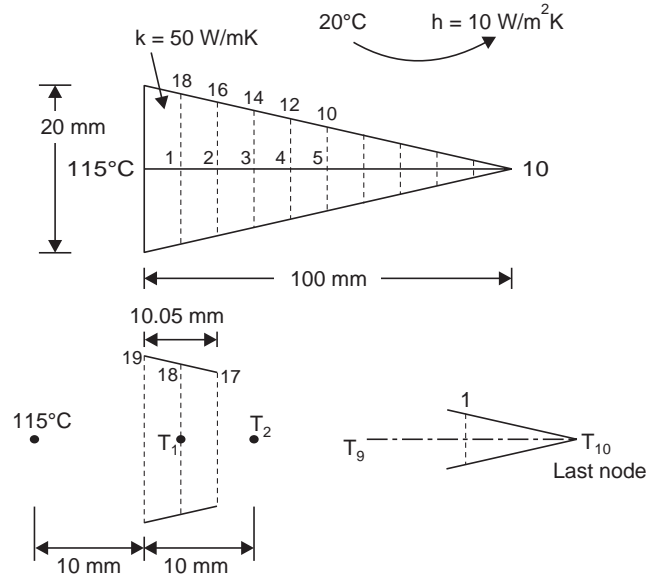


Fig. P. 4.37. Model of nodes.

Similarly for other elements

$$85 T_1 - 160.201 T_2 + 75 T_3 + 4.02 = 0$$

$$75 T_2 - 140.201 T_3 + 65 T_4 + 4.02 = 0$$

$$65 T_3 - 120.201 T_4 + 55 T_5 + 4.02 = 0$$

$$55 T_4 - 100.201 T_5 + 45 T_6 + 4.02 = 0$$

$$45 T_5 - 80.201 T_6 + 35 T_7 + 4.02 = 0$$

$$35 T_6 - 60.201 T_7 + 25 T_8 + 4.02 = 0$$

$$25 T_7 - 40.201 T_8 + 15 T_9 + 4.02 = 0$$

$$15 T_8 - 20.201 T_9 + 5 T_{10} + 4.02 = 0$$

$$5 T_9 - 5.1005 T_{10} + 2.01 = 0$$

For the last node

$$(T_9 - T_{10}) / ((0.01) / (50 \times 0.001)) + 10 \times 0.01005 (20 - T_{10}) = 0$$

This reduces to the last equation above.

These equations can be solved for temperature distribution using matrix inversion or other such methods.

OBJECTIVE QUESTIONS

Choose the correct statement

- In a long fin if the thermal conductivity is increased with other parameters maintained constant.
 - The temperature will drop at a faster rate along the length
 - The temperature will drop at a lower rate along the length

- (c) The temperature gradient is not strongly influenced by the conductivity
(d) The temperature gradient is dependent on the heat flow only.
2. In a long fin if the convection coefficient is increased with other parameters maintained constant.
- (a) The temperature drop along the length is not strongly influenced by the convection coefficient.
(b) The temperature gradient depends only on heat flow rate.
(c) The temperature drop will be faster along the length.
(d) The temperature drop along the length will be at a lower rate.
3. In a long fin if the parameter $m = \sqrt{(hP/kA)}$ increases, other parameters being maintained constant then.
- (a) The temperature drop along the length will be at a lower rate
(b) The temperature drop along the length will be steeper
(c) The parameter m influences the heat flow only
(d) The temperature profile will remain the same.
4. For a given sectional area of fin if the circumference is increased by adopting different geometric shape, then
- (a) The temperature variation along the fin length will be steeper.
(b) The temperature variation along the fin length will be featter
(c) The circumference length does not affect the temperature change
(d) The circumference will only influence the heat convected.
5. In a given fin configuration increase in conductivity will
- (a) Decrease the total heat flow
(b) Will affect only the temperature gradient
(c) Increase the total heat flow
(d) Heat flow is influenced only by the base temperature and sectional area.
6. An increase in convection coefficient over a fin will
- (a) increase effectiveness (b) decrease effectiveness
(c) does not influence effectiveness (d) influences only the fin efficiency
7. In the case of fins it is desirable to have
- (a) area of section maintained constant along the length
(b) area of section reduced along the length
(c) area of section increased along the length
(d) better to vary the convection coefficient than the area.
8. Fin effectiveness will be increased more by
- (a) having a higher value of convection coefficient
(b) higher sectional area
(c) higher thermal conductivity
(d) longer circumference.
9. If a square section fin is split longitudinally and used as two fins
- (a) The total heat flow will decrease
(b) The total heat flow will increase
(c) The toal heat flow will remain constant
(d) Heat flow may increase or decrease depending on the material used.

10. For a given volume of material for use in a pin fin
- longer the fin, better the total neat flow
 - shorter the fin, better the heat flow
 - As the volume is constant, the heat flow will not change
 - As length is increased heat flow will increase and after some length will decrease.

Choose the correct statement or statements for the following questions

11.
 - If the convection coefficients is low, it is not desirable to use a fin
 - If the conductivity is large, a longer fin will be more effective
 - Plate fins of smaller thickness is better in the point of view of heat dissipation.
 - Finned surface is desirable under conditions of boiling.
12.
 - Aluminium fins are better because the material is light
 - A constant area fin provides the best (heat flow/weight) ratio.
 - On rare occasions the heat flow may be reduced by the addition of fins.
 - If conductivity is high a short fin will be a good proportion.
13.
 - A constant temperature gradient along the length of a constant area fin is not possible
 - The temperature gradient, in circular section fin dissipating heat will increase along the length.
 - Longitudinal fins are less effective compared to annular fins.
 - Fins at close pitch will give a high heat dissipation rate.
14.
 - An aluminium fin will be cooler at a given distance compared to a copper fin of identical section and other parameters.
 - An aluminium fin will be hotter at a given distance compared to a copper fin of identical section and other parameters.
 - An aluminium fin of same configuration will dessipate more heat compared to copper fin.
 - A aluminium fin of same configuration will dessipate less heat compared to copper fin.

Answers

- | | | | | |
|---------|------------|------------------|---------------|---------|
| 1. (b) | 2. (c) | 3. (b) | 4. (a) | 5. (c) |
| 6. (a) | 7. (b) | 8. (d) | 9. (b) | 10. (d) |
| 11. (c) | 12. (a, d) | 13. (a), (b) (d) | 14. (b), (d). | |

EXERCISE PROBLEMS

- 4.1 A copper rod extends from a surface at 300°C. The diameter is 12 mm and length is 9 cm. The rod is exposed to air at 30°C with convection coefficient of 35 W/m² K. Assuming end is insulated determine the tip temperature. $k = 340$ W/mK. If an aluminium fin of the same diameter is used, what should be the length of the fin, if the tip temperature is to be the same as the copper fin. Assume $k = 210$ W/mK.
- 4.2 A surface is at 200°C. Pin fins of diameter 6 mm and length 12 mm are used at 12 mm spacing between centres. The surroundings are at 20°C. The convection coefficient is 30 W/m²K. The conductivity of the material is 131 W/m K. Determine the increase in heat loss from the surface. Another proposal is to use fins of half the length at the same spacing, but the diameter increased to 8 mm. Compare the heat dissipation for this proposal, workout the heat dissipation/unit volume of fin.

- 4.3 A poker used for stirring hot coal in a furnace is in the form of a pipe of 20 mm ID and 24 mm OD. One end is at 350° . The outside of the poker is exposed to air at 35°C with a convection coefficient of $20\text{ W/m}^2\text{K}$. The conductivity of the material is 45 W/mK . Determine the temperature at a distance of 0.35 m from the end.
- 4.4 A stainless steel vessel of circular shape of inside diameter 20 cm has a plate thickness of 2 mm. It is filled with hot gravy at 90°C up to a depth of 8 cm from the top. Determine the temperature at the top of the vessel. The surroundings are at 30°C and the convection coefficient is $30\text{ W/m}^2\text{K}$. The conductivity of the material is 20 W/mK . Assume only the outside surface is effective in convection.
- 4.5 The size of a transformer tank is $0.6\text{ m} \times 0.4\text{ m} \times 0.6\text{ m}$. Plate fins are used to dissipate heat at the four sides. Fins are 5 mm thick and 6 cm long and run along the vertical direction, 0.6 m deep. The conductivity of the material is 45 W/mK . The convection coefficient is $45\text{ W/m}^2\text{K}$. Totally 100 fins are used. Determine whether it can meet the requirements of the unit if maximum wall temperature is 60°C . The surrounding temperature is 38°C . Heat to be dissipated is 10 kW.
- 4.6 In an experiment to determine conductivity of materials, rods of different materials extend from a vessel containing boiling water, and the rods are coated with a thin layer of wax and the length up to which the wax melts is used to determine the conductivity of materials. The melting point of wax is 40°C , the base temperature is 99°C , the diameter of rods is 8 mm. The length of rods are 60 mm, determine the length upto which wax will melt if the rod is of copper with $k = 330\text{ W/mK}$. The surroundings are at 25°C and the convection coefficient is $20\text{ W/m}^2\text{K}$. State whether the length of melt in the case of Aluminium rod will be longer or shorter and justify your answer.
- 4.7 A hollow hexagonal pipe of sides 10 mm (inside) and 1.5 mm wall thickness protrudes from a surface at 200°C . The length of protrusion is 9 cm. The material has a thermal conductivity of 45 W/mK and the surface is exposed to a fluid at 35°C with a convection coefficient of $15\text{ W/m}^2\text{K}$. Determine the heat loss and the temperature at the tip and at mid point along the length. Convection is absent inside of pipe.
- 4.8 A square section pipe of 18 mm side and 1.55 mm wall thickness is used as a fin from a surface at 200°C . The outside is exposed to air at 35°C , with a convection coefficient of $15\text{ W/m}^2\text{K}$. Determine the heat loss and the temperature at the tip and the mid point. The length of the pipe is 9 cm. Conductivity = 55 W/mK .
- 4.9 A rectangular section of thickness 3 mm and depth 37.5 mm and length 9 cm is used as a fin on a wall at 200°C . The surroundings are at 35°C and the convection coefficient is $15\text{ W/m}^2\text{K}$. The conductivity of the material is 45 W/mK . Determine the heat loss from the fin and the tip and mid point temperatures.
- 4.10 Circular pipe of 23.9 mm OD and 1.5 mm wall thickness and length 90 mm is used as a fin on a wall at 200°C . The outside is exposed to air at 35°C with a convection coefficient of $15\text{ W/m}^2\text{K}$. The conductivity of the material is 45 W/mK . Determine the heat loss from the fin and also the mid section and tip temperature.
- 4.11 A plate fin having section of an angle of 5 mm thickness and 12 mm side is proposed (i) Fixed at 45° to the surface to reduce space. (ii) fixed at 90° to the surface. Determine the heat loss. $T_0 = 110^\circ\text{C}$, $h = 30\text{ W/m}^2\text{K}$. $k = 200\text{ W/mK}$. The surrounding is at 35°C .
- 4.12 A thermometer well used to measure temperature of a fluid flowing in a pipe is of 6 mm ID, 1 mm wall thickness and 65 mm long. The fluid is at 600°C . The convection coefficient over the well surface is $50\text{ W/m}^2\text{K}$. The conductivity of the material is 50 W/mK . The uninsulated wall was at 80°C lower than the fluid temperature. Determine the temperature that will be indicated by the thermometer. As the error in measurement was found unacceptable, the pipe wall was insulated on the outside so that the wall temperature was now 20°C lower than the fluid temperature. Estimate the reduction in the error.
- 4.13 A turbine blade is of hollow section of 2 mm thickness with the outside periphery of 100 mm. The blade is exposed to gas at 400°C with a convection coefficient of $80\text{ W/m}^2\text{K}$. The conductivity

- of the material is 32 W/mK. If the blade root is at 300°C, determine the heat flow into the root section.
- 4.14 A rod of 1 cm square section and 6 cm length with a thermal conductivity of 50 W/mK protrudes from a surface at 180°C, and is exposed to air at 35°C. The tip temperature is measured as 90°C. Determine the value of convection coefficient and the heat dissipated by the rod.
- 4.15 The area of section available for a rectangular fin is 2 cm². The conductivity of the material is 130 W/mK and the convection coefficient is 65 W/m²K. The wall temperature is 200°C and the surrounding is at 35°C. Determine the thickness for maximum heat flow and the heat dissipated for 1 m depth of such a fin.
- 4.16 The handle of a stainless coffee cup is in the form of a circular ring of 3 cm mean dia and wire diameter of 4 mm. It is welded to the cup surface at a circumferential point. The coffee is at 80°C. The surroundings are at 30°C and the convection coefficient is 8 W/m²K. The conductivity of the material is 30 W/mK. Determine the temperature of the ring opposite to the point of weld. Also determine the heat dissipated by the handle.
- 4.17 Two hot surfaces one at 300°C and the other at 200°C are connected by a plate 3 cm wide and 0.5 cm thick, the distance between the surfaces being 10 cm. The plate is of material with conductivity of 130 W/mK and is exposed to gases at 80°C. with a convective heat transfer coefficient of 65 W/m²K. Determine the location and value of the minimum temperature in the plate and also the heat dissipated by the plate.
- 4.18 The volume of material available for a pin fin of square section is 4 cm³. The conductivity of the material is 140 W/mK and the convection coefficient is 60 W/m²K. Determine the size of the fin for maximum heat flow.
- 4.19 A plate fin of 2 mm thickness and 20 mm length is dissipating heat from a surface at 200°C. The fin is exposed to air at 30°C with a convection coefficient of 85 W/m²K. If the conductivity of the material is 235 W/mK, determine the heat dissipated in 1 m depth of fin. If a contact resistance of 2.5×10^{-4} m² °C/W is involved determine the reduction in heat dissipation. (53,392.4, 28.8%).
- 4.20 A circumferential fin of thickness 1 mm and length 16 mm is used on a 15mm dia pipe used to cool air. The pipe surface temperature is 3°C and the air temperature is 28°C. If the convection coefficient is 80 W/m²K and the conductivity is 200 W/mK. determine the heat dissipated by a fin. If the cooling load is 2 kW and if the pitch is 4 mm, determine the length of finned pipe necessary to meet the load.
- 4.21 The cylinder head of an engine is fitted with plate fins of 4 mm thickness and 25 mm length the material having a thermal conductivity of 50 W/mK. The convection coefficient is 85 W/m²K. If the total fin depth is 0.8 m, determine the heat dissipation for a wall to surrounding temperature difference of 290°C.
- 4.22 A Cast iron cylinder of an air cooled engine is provided with circumferential fins of 4 mm thickness and 25 mm length. The *OD* of the cylinder is 90 mm. The conductivity of the metal is 45 W/mK. The convection coefficient is 80 W/m²K. The surface is at 280°C and the surroundings are at 38°C. Determine the heat loss per fin.
- 4.23 Circumferential fin of a water preheater is 2 mm thick and 40 mm long and are fixed on pipes of 60 mm outside diameter. The conductivity of the material is 55 W/mK and the fins are exposed to hot gases at 200°C. The wall temperature is 120°C. The convection coefficient is 45 W/m²K. If fins are fixed at 12 mm pitch and if total length pipe is 40 m, determine the total heat collection rate.
- 4.24 A room heater uses steam in pipes of 60 mm *OD* and the steam temperature is 130°C. The pipe is provided with fins of 1 mm thickness and 30 mm length at a pitch of 8 mm. The room air is at 25°C and the convection coefficient is 22 W/m²K. The conductivity of the material is 210 W/mK. If the heat loss to the surroundings from the room is 4 kW, determine the length of pipe required.

- 4.25** An electronic device is of 15 mm dia and space is available for three circumferential fins of 0.8 mm thickness and 8 mm length. If the heat to be dissipated by the fins is 12 W and if the base temperature is not to exceed 60°C when the surrounding is at 20°C, check the suitability of silver, copper, gold and aluminium with conductivity values of 407, 386, 317 and 204 W/mK. The convection coefficient has value of 25 W/m²K.
- 4.26** Solar radiation is incident on a plate of 2 mm thickness and conductivity of 204 W/mK at 800 W/m². Energy is collected by water flowing in pipes fixed at a pitch distance of 12 cm at a temperature of 48°C. Determine the maximum temperature in the plate. Assume that losses are negligible.
- 4.27** Radiation flux of 5000 W/m² is incident on an annular plate of 150 mm inner diameter and 500 mm outer diameter. The plate is 4 mm thick and has a conductivity of 210 W/mK. The inner and outer edges are maintained at 10°C by collection of heat. There is a loss to outside air at 40°C by convection with $h = 40$ W/m²K. Determine the maximum temperature in the plate and also the heat flow at either of the edges.
- 4.28** Heat is generated in a bar of rectangular section of 6 mm × 24 mm at a uniform rate of 10⁶ W/m³. The conductivity of the material is 30 W/mK. The bar is surrounded by a fluid at 180°C with a convection coefficient of 200 W/m²K. The bar is 1 m long and the ends are fixed to walls maintained at 180°C. Determine the temperature at mid length and the heat flow at the ends and over the surface.
- 4.29** A heating surface has resistance rods 20 mm dia and 1 m length generating 4 KW of heat. The ends are fixed to supports at 300°C. The combined convection and radiation heat transfer coefficient on the rod is 500 W/m²K and the surroundings are at 700°C. If the conductivity of the material is 15 W/mK, determine the maximum temperature in the rod and the heat flow at the ends.
- 4.30** A solar collector plate is exposed to a flux of 900 W/m². Heat is collected by water pipes fixed at 12 cm pitch with a water temperature of 48°C. The plate is 2 mm thick and has a conductivity of 204 W/mK. If the losses over the plate is accounted by a convection coefficient of 15 W/m²K to air at 30°C, determine the maximum temperature in the plate and also the rate of heat collection by the water per pitch width and 1 m length.

5

TWO DIMENSIONAL STEADY HEAT CONDUCTION

5.0 INTRODUCTION

In several situations one dimensional conduction approximation provides reasonably acceptable answers. However there are situations where the heat conduction in two dimensions has to be considered. One example is corners in a rectangular furnace. The solution required is the temperature at various locations and the heat flow. If the temperature field is established, heat flow can be determined by Fourier's conduction equation. Mainly four methods have been in use for solving two dimensional conduction problems. These are (1) Analytical method solving the differential equation using the boundary conditions (2) Graphical method of sketching equal temperature lines and then the equal heat flow paths (3) Use of electrical analogy and use of conduction paper to plot equal temperature lines and (4) Finite difference method. Rigorous analytical solutions are available only for very simple boundary conditions and these are not amenable for complex boundaries. With computer software becoming popular, the fourth method is replacing the graphical and analogy methods.

5.1 SOLUTION TO DIFFERENTIAL EQUATION

From chapter 2, the differential equation in cartesian coordinates for steady two dimensional conduction, without heat generation is given as (refer eqn. (2.3)

$$\frac{\partial^2 T}{\partial x^2} + \frac{\partial^2 T}{\partial y^2} = 0 \quad \dots(5.1)$$

This equation is solved by the method of separation of variables. Solutions are available only for a limited sets of boundary conditions. However limited, these solutions provide an insight into the problem.

5.1.1 One of the simpler problem is illustrated here. Consider a rectangular plate as shown in Fig. 5.1. The plate is W m wide and H m high. The origin of the cartesian coordinates is considered to be at the left bottom corner of the plate. The two sides and the bottom side are at temperature T_1 . The top side temperature varies as in equation 5.2.

$$T = T_m \sin \frac{\pi x}{W} + T_1 \quad \dots(5.2)$$

This leads to the condition that the top corners the temperature is T_1 in whichever way the corner is reached. Thus singularity is avoided in this boundary set as compared to the next boundary set considered. The essential feature of this method is that the solution for this equation is assumed to take the product form.

$$\text{Let } T = XY \text{ where } X = f(x) \quad \dots(5.3)$$

$$Y = f(y)$$

Substituting 5.3 in 5.1, the equation 1 reduce to ordinary differential equation

$$\frac{1}{X} \frac{d^2 X}{dx^2} + \frac{1}{Y} \cdot \frac{d^2 Y}{dy^2} = 0 \quad \dots(5.4)$$

As these two terms are functions of independent variables, this equation can be reduced to two ordinary differential equation. These are

$$\frac{d^2 X}{dx^2} + \lambda^2 X = 0 \quad \dots(5.5)$$

$$\frac{dY}{dy^2} - \lambda^2 Y = 0 \quad \dots(5.6)$$

where λ^2 is called **separation constant**. Since the sine function boundary condition is to be satisfied, λ^2 cannot be zero. The solutions are

$$X = C_1 e^{-\lambda x} + C_2 e^{\lambda x} \quad \dots(5.7)$$

$$Y = C_3 \cos \lambda x + C_4 \sin \lambda x \quad \dots(5.8)$$

$$\text{Hence, } T = XY = (C_3 \cos \lambda x + C_4 \sin \lambda x) (C_1 e^{-\lambda x} + C_2 e^{\lambda x}) \quad \dots(5.9)$$

The boundary conditions are: (Fig. 5.1)

$$T = T_1 \text{ at } y = 0, T = T_1 \text{ at } x = 0, T = T_1 \text{ at } x = W$$

$$\text{at } y = H, T = T_1 + T_m \sin \left(\frac{\pi x}{W} \right)$$

It is easier to use a new variable $\theta = T - T_1$

The boundary conditions reduce to

$$\theta = 0 \text{ at } y = 0, \theta = 0, \text{ at } x = 0, \theta = 0 \text{ at } x = W,$$

$$\theta = T_m \sin \frac{\pi x}{W} \text{ at } y = H. \quad \dots(5.10)$$

Applying these conditions, we get

$$(C_3 \cos \lambda x + C_4 \sin \lambda x) (C_1 + C_2) = 0 \quad \dots(a)$$

$$C_3 (C_1 e^{-\lambda x} + C_2 e^{\lambda x}) = 0 \quad \dots(b)$$

$$(C_3 \cos \lambda W + C_4 \sin \lambda W) (C_1 e^{-\lambda x} + C_2 e^{\lambda x}) = 0 \quad \dots(c)$$

$$(C_3 \cos \lambda x + C_4 \sin \lambda y) (C_1 e^{-\lambda H} + C_2 e^{\lambda H}) = T_m \sin \left(\frac{\pi x}{W} \right) \quad \dots(d)$$

From a, $c_1 = c_2$, From b, $c_3 = 0$

$$\text{From c, } c_3 c_1 \sin \lambda W (e^{-\lambda x} - e^{\lambda x}) = 0 \quad \dots(5.11)$$

$$c \sin \lambda W (e^{-\lambda x} - e^{\lambda x}) = 0.$$

$$\therefore \sin \lambda W = 0$$

This can be satisfied for all values of

$$\lambda = \frac{\pi x}{W}$$

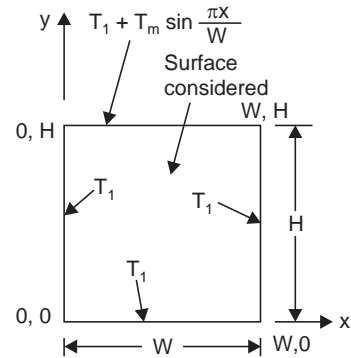


Fig. 5.1.

This solution reduces to as $\frac{(e^{\lambda y} - e^{-\lambda y})}{2} \rightarrow \sinh(\lambda y)$

$$\theta = T - T_1 = \sum_{n=1}^{\infty} c_n \sin \frac{n\pi x}{W} \sinh \frac{n\pi y}{W} \quad \dots(5.12)$$

This should satisfy the formula boundary condition also *i.e.* at $y = H$.

$$\therefore T_m \sin \frac{\pi x}{W} = \sum_{n=1}^{\infty} c_n \sin \frac{n\pi x}{W} \sinh \frac{n\pi H}{W} \quad \dots(5.13)$$

As $c_n = 0$ $\sin n > 1$, its reduces only to c_1 . c_1 is obtained from 5.13 and substituted in 5.12. obtaining.

$$T - T_1 = T_m \frac{\sinh(\pi Y / W)}{\sinh(\pi H / W)} \cdot \sin \frac{\pi x}{W} \quad \dots(5.14)$$

5.1.2. The other boundary condition is slightly different from the previous one. Instead of a sine function in the temperature at $y = H$, a constant temperature is assumed. This leads to singularity at the top corners.

$$\begin{aligned} T &= T_1 \text{ at } y = 0, T = T_1 \text{ at } x = 0, T = T_1 \text{ at } x = W. \\ T &= T_2 \text{ at } y = H \end{aligned} \quad \dots(5.15)$$

As the first three boundary conditions are the same, the result of these boundaries give (eqn. 5.11)

$$T - T_1 = \sum_{n=1}^{\infty} c_n \sin \frac{n\pi x}{W} \cdot \sinh \frac{n\pi y}{W}$$

The last boundary condition gives

$$T_2 - T_1 = \sum_{n=1}^{\infty} c_n \sin \frac{n\pi x}{W} \cdot \sinh \frac{n\pi H}{W} \quad \dots(5.16)$$

Expanding this in a Fourier series in the interval $0 < x < W$

$$T_2 - T_1 = (T_2 - T_1) \frac{2}{\pi} \sum_{n=1}^{\infty} \frac{(-1)^{n+1} + 1}{n} \sin \frac{n\pi x}{W} \quad \dots(5.17)$$

Upon comparison between 5.16, 5.17

$$c_n = \frac{2}{\pi} (T_2 - T_1) \frac{1}{\sinh(n\pi H / W)} \frac{(-1)^{n+1} + 1}{n}$$

The final solution thus is

$$\frac{T - T_1}{T_2 - T_1} = \frac{2}{\pi} \sum_n \frac{(-1)^{n+1} + 1}{n} \cdot \sin \frac{n\pi x}{W} \cdot \frac{\sinh(n\pi y / W)}{\sinh(n\pi H / W)} \quad \dots(5.18)$$

Some more boundary conditions are solved in textbooks exclusively on conduction. For complex boundaries the use of computers softwares will provide the temperature distribution and heat flow at surfaces at a reasonable cost and time.

Example 5.1: A plate $1\text{ m} \times 2\text{ m}$ side has both its 2 m sides and one 1 m side at 100°C . The temperature along the fourth side is given by $T = 400 \sin\left(\frac{\pi x}{1}\right) + 100$, where x is in m from the corner and T is in $^\circ\text{C}$. Determine the temperatures taking 1 m on the x direction and 2 m on the y direction at the following locations.

- (i) $(0.25, 0.5)$, (ii) $(0.5, 0.5)$ (iii) $(0.25, 1)$, (iv) $(0.5, 1)$, (v) $(0.25, 1.5)$ (vi) $(0.5, 1.5)$
 (vii) $(0.25, 2)$ and (viii) $(0.5, 2.0)$.

Solution: These points are shown in Fig. 5.2 (Use radian mode in calculations).

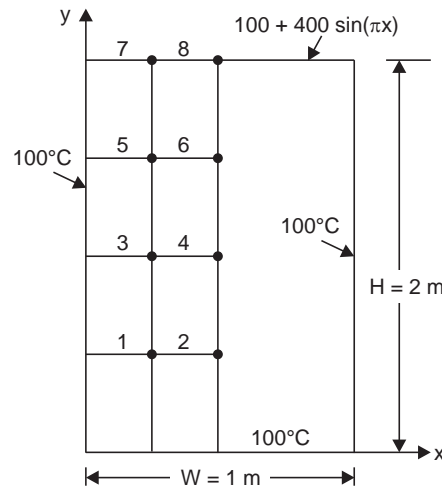


Fig. 5.2.

$$T_{(x,y)} = T_1 + T_m \frac{\sinh(\pi y / W)}{\sinh(\pi H / W)} \sin\left(\frac{\pi x}{W}\right)$$

- (i) $T(0.25, 0.5) = 100 + 400 \frac{\sinh(\pi \times 0.5 / 1)}{\sinh(\pi 2 / 1)} \sin\left(\frac{\pi \times 0.25}{1}\right) = 102.43^\circ\text{C}$
- (ii) $T(0.5, 0.5) = 100 + 400 \frac{\sinh(\pi \times 0.5 / 1)}{\sinh(\pi 2 / 1)} \sin\left(\frac{\pi \times 0.5}{1}\right) = 103.44^\circ\text{C}$
- (iii) $T(0.25, 1) = 100 + 400 \frac{\sinh(\pi \times 1) \cdot \sin(\pi \times 0.25 / 1)}{\sinh(\pi \times 2 / 1)} = 112.2^\circ\text{C}$
- (iv) $T(0.5, 1) = 100 + 400 \frac{\sinh(\pi \times 1 / 1) \cdot \sin(\pi \times 0.5 / 1)}{\sinh(\pi \times 2 / 1)} = 117.25^\circ\text{C}$
- (v) $T(0.25, 1.5) = 100 + 400 \frac{\sinh(\pi \times 1.5 / 1) \cdot \sin(\pi \times 0.25)}{\sinh(\pi \times 2 / 1)} = 158.79^\circ\text{C}$

$$(vi) \quad T(0.5, 1.5) = 100 + 400 \frac{\sinh(\pi \times 1.5 / 1) \cdot \sin(\pi \times 0.5)}{\sinh(\pi \times 2 / 1)} = 183.15^\circ\text{C}$$

$$(vii) \quad T(0.25, 2) = 100 + 400 \frac{\sinh(\pi \times 2 / 1) \cdot \sin(\pi \times 0.25)}{\sinh(\pi \times 2 / 1)} = 382.15^\circ\text{C}$$

$$(viii) \quad T(0.5, 2) = 100 + 400 \frac{\sinh(\pi \times 2 / 1) \cdot \sin(\pi \times 0.5)}{\sinh(\pi \times 2 / 1)} = 500^\circ\text{C}$$

The calculated values are shown in Fig. 5.3 (a). These values can be used to plot contours also. Heat flow at any section can be also calculated using these values.

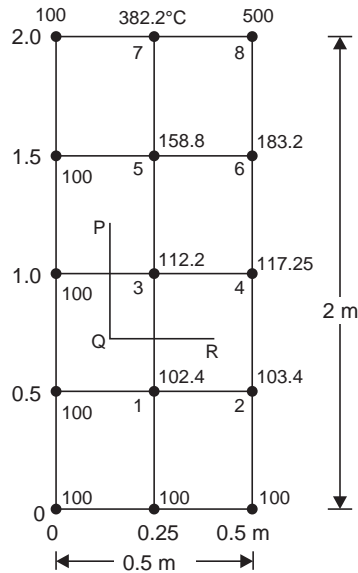


Fig. 5.3 (a) Temperature plate.

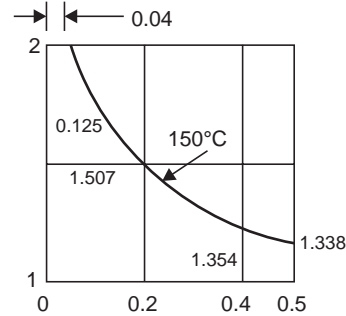


Fig. 5.3 (b) Contour.

For example at the 1 m level, the Heat flow in the x direction across PQ can be roughly found by using dT/dx as $-(112.2 - 100)/0.25 = -48.8^\circ\text{C m}$. $Q_1 = kA 48.8$ W. If area and conductivity are known, then Q_x can be found. Q_y can be found by using similar method. Across QR, $Q_y = -kA \cdot (102.4 - 112.2)/0.25 = kA 39.2$ W.

Example 5.2: In example 5.1 determine the locations of 150°C along the plate.

Solution: This is solved using

$$T = T_1 + T_m \frac{\sinh(\pi y / W)}{\sinh(\pi H / W)} \sin(\pi x / W)$$

In this case $W = 1$, $H = 2$, $T_m = 400$, $T_1 = 100$, $T = 150$

$$\therefore \frac{(150 - 100)}{400} \times \sinh(\pi \times 2 / 1) = \sinh(\pi y / W) \cdot \sin(\pi x / W)$$

First at $y = 2$ the x value is found. After that at intervals of 0.1 for x and y values are found and tabulated. It is shown plotted in Fig. 5.3 (b).

x	y
0.04	2.000
0.2	1.507
0.3	1.406
0.4	1.354
0.5	1.338

Similar contours can be worked out for other values of temperature and a complete picture can be obtained.

This solution is of theoretical interest only as rarely this boundary conditions may prevail in any practical problem. But any boundary can be split into a sum of sine series and then this method may be used.

Example 5.3: A rectangle of $1\text{ m} \times 2\text{ m}$ (with 1 m on the x direction) has all edges except $y = H$ edge at 100°C . The $y = H$ edge is at 300°C . Determine the temperature at the points $(0.5, 1.0)$, and $(0.5, 1.5)$. Using equation 5.5 and Fig. 5.4 (use radian mode in calculations).

Solution:

$$\begin{aligned} \frac{T_{(0.5,1)} - 100}{300 - 100} &= \frac{2}{\pi} (2/1) \sin \frac{\pi \times 0.5}{1} \cdot \frac{\sinh(1. \pi / 1)}{\sinh(1. \pi \times 2 / 1)} \\ &+ \frac{2}{3} \sin(3\pi \times 0.5) \cdot \frac{\sinh(3\pi)}{\sinh(6\pi)} + \frac{2}{5} \sin(5\pi \times 0.5) \frac{\sinh(5\pi)}{\sinh(10\pi)} \\ &+ \frac{2}{7} \sin(7\pi \times 0.5) \cdot \frac{\sinh(7\pi)}{\sinh(14\pi)} + \dots \\ &= \frac{2}{\pi} (0.08627 - 5.38 \times 10^{-5} + 6.03 \times 10^{-8} - 8.04 \times 10^{-11}) \\ &= 0.0549 \quad \therefore T_{(0.5,1)} = 111^\circ\text{C} \end{aligned}$$

$$\begin{aligned} \frac{T_{(0.5,1.5)} - 100}{300 - 100} &= \frac{2}{\pi} \left[2 \cdot \sin \left(\frac{\pi \times 0.5}{1} \right) \cdot \frac{\sinh(1.5 \times \pi / 1)}{\sinh(2\pi)} \right. \\ &+ \frac{2}{3} \sin(3\pi \times 0.5) \cdot \frac{\sinh(3 \times 1.5 \times \pi)}{\sinh(6\pi)} \\ &+ \left. \frac{2}{5} \sin(5\pi \times 0.5) \cdot \frac{\sinh(5 \times 1.5\pi)}{\sinh(10\pi)} + \dots \right] \\ &= \frac{2}{\pi} [0.4157 - 6 \times 10^{-3} + 1.55 \times 10^{-4} - 4.8 \times 10^{-6}] = 0.2609 \end{aligned}$$

$$\therefore T_{(0.5,1.5)} = 152^\circ\text{C}$$

In this case it is difficult to locate position for a given temperature. Analytical solutions have limited application. However, these methods are basic and can be used for at least validation purpose.

Also the problem can be split up into 4 problems with all except one edge at 0°C and the solutions can be super imposed.

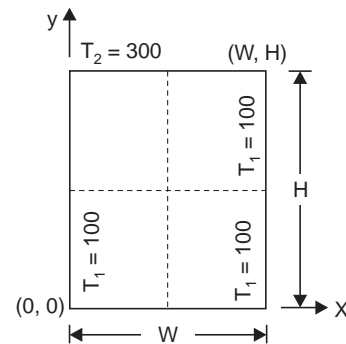


Fig. 5.4.

5.2 GRAPHICAL METHOD

This method was very popular when computing aids were rather primitive. The method consists of plotting by trial, constant temperature contours and constant heat flow paths, using the boundary conditions as the initial guide. The orthogonality of these two sets of lines help in plotting orthogonal squares. An example is shown in Fig. 5.5. In most cases by the use of symmetry it is necessary to plot these only for part of an object. In the example the temperatures are specified for the inner wall and outer walls of a square duct. Due to symmetry the plot is required for only one eighth of the wall.

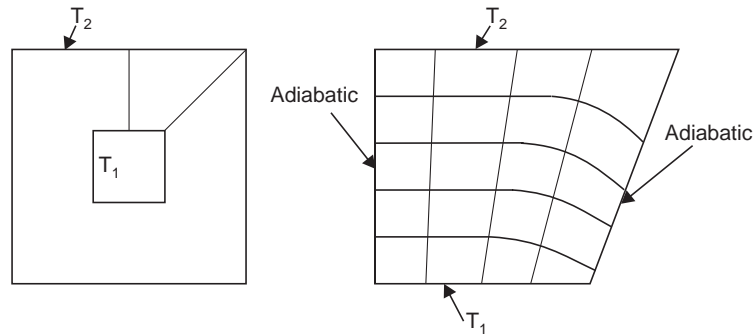


Fig. 5.5.

The important requirement is that these intersecting lines should form curvilinear squares. Also the isotherms should be perpendicular to the adiabatic surfaces. The distances have to be adjusted repeatedly to obtain such squares. The number of temperature intervals (N) and the number of flow paths (M) are counted and the heat flow is calculated for unit depth as

$$Q = \frac{M}{N} k \Delta T \quad \dots(5.19)$$

This is because $\frac{\Delta T}{N}$ is the temperature shape in each square and $M\Delta x$ is the total length of the path. If any square is taken in the flow path i , depth perpendicular to paper is l . The heat flow is given by

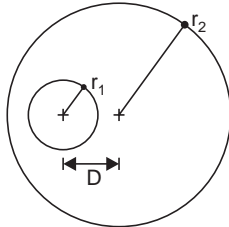
$$Q_i = k \Delta x l \cdot \frac{\Delta T}{N} \cdot \frac{1}{\Delta x} \quad \dots(5.20)$$

By the principle adopted in during flow line the flow is the same along all the paths. As there are M such paths $Q = Q_i M$ or

$$Q = M k \Delta x l \frac{\Delta T}{N} \cdot \frac{1}{\Delta x} = k l \frac{M}{N} \Delta T \quad \dots(5.21)$$

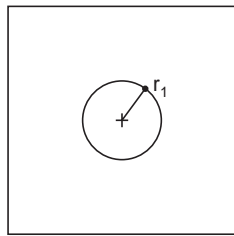
The quantity $(M l / N)$ is called the conduction shape factor, S . For several shapes the shape factor has been determined and these are listed in hand books and text books. A few of these are shown in Fig. 5.6.

These shape factors can be used to determine heat flow in such cases.



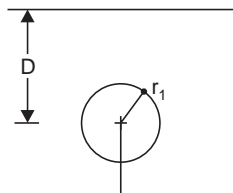
Eccentric cylinder length, L

$$L \gg r \quad S = \frac{2\pi L}{\cosh^{-1} \left[\frac{r_1^2 + r_2^2 - D^2}{2r_1 r_2} \right]}$$



Cylinder in square, Length L

$$L \gg W \quad S = \frac{2\pi L}{\ln(0.54 W/r)}$$

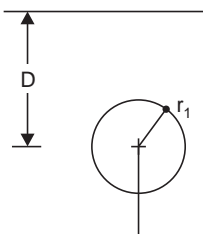


Cylinder in semi infinite medium, Length L

$$L \gg r \quad S = \frac{2\pi L}{\cosh^{-1}(D/r)}$$

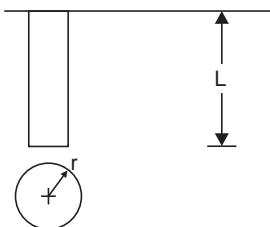
$$D > 3r \quad S = \frac{2\pi L}{\ln(2D/r)}$$

$$D \gg r \quad S = \frac{2\pi L}{\ln(L/r)} \left[\frac{\ln(L/D)}{\ln(L/r)} \right]$$



Sphere in semi infinite medium

$$D > r \quad S = \frac{4\pi r}{1 - (r/2D)}$$



Cylindrical hole

$$L \gg 2r \quad S = \frac{2\pi L}{\ln(2Lr)}$$

Fig. 5.6. Shape factors.

Example 5.4: A cylinder of dia 0.6 m with surface temperature of 200°C is enclosed in a square of 1.2 m side, the material having a thermal conductivity of 2.5 W/mK. The outside surface is at 5°C. Determine the heat loss per 15 m length.

Solution: The data are shown in Fig. 5.7. Using the tabulation in Fig. 5.6, the shape factor is read as

$$S = 2\pi L / \ln (0.54 W/r)$$

Substituting the values,

$$S = 2\pi \times 15 / \ln (0.54 \times 1.2 / 0.3) = \mathbf{122.382}$$

$$Q = k S \Delta T = 2.5 \times 122.382 \times (200 - 5) \\ = \mathbf{59661.5 \text{ W}}$$

The shape factor can be graphically determined by taking 1/4 of the insulation and plotting equal temperature and flow lines. The shape factor values are available for many other configurations. (Ref. Heat Transfer J.P. Holman).

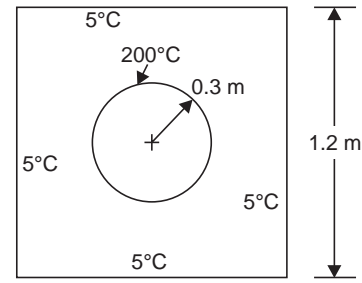


Fig. 5.7 Problem model.

5.3 NUMERICAL METHOD

There are three methods used under this heading namely (i) the energy balance method, where the sum of energy flowing into volume is equated to the energy stored or depleted (ii) the finite difference method, where the differential equation is converted to difference equation. The resultant equations often time will be the same as obtained using the energy balance method and (iii) the finite element method which is more complicated due to the basic nature of approximating the function rather than the derivative. But today the user without going into the details can use softwares based on this method and obtain solutions very quickly even for complicated shapes.

5.3.1. The application of numerical method for two dimensional flow is attempted in this article. Let us consider the two dimensional flow situation for which analytical solution was obtained in the article, 5.1.1. The solid can now be divided into small elements as shown in Fig. 5.8 (a). As the surface temperatures are given, nodes are selected at the boundary. In this case three types of nodes are encountered. These are (i) internal nodes (numbered as 1 for example) (ii) surface nodes (numbered as 2 for example) and (iii) corner node (numbered as 3).

Later we shall see some other typical nodes also.

Consider node 1. Let the node be in the m th column and n th row. The node is shown enlarged in Fig. 5.8 (b). All the nodal distances are taken as equal to $\Delta x = \Delta y$ for convenience of simplification. For steady state conduction, the sum of the heat flow into the volume marked ABCD should be zero. The total heat flow is the sum of flow through each of the faces AB, BC, CD and DA. Considering depth to be unity and using the important approximation that the temperature gradient is equal to the temperature difference divided by the distance, the following relationship is obtained.

$$k\Delta y.1 \frac{(T_{m-1,n} - T_{m,n})}{\Delta x} + \frac{T_{m,n+1} - T_{m,n}}{\Delta y} k \Delta x.1 + \frac{T_{m+1,n} - T_{m,n}}{\Delta x} k\Delta y.1 \\ + \frac{T_{m,n-1} - T_{m,n}}{\Delta y} .k\Delta x.1 = 0 \quad \dots(5.22)$$

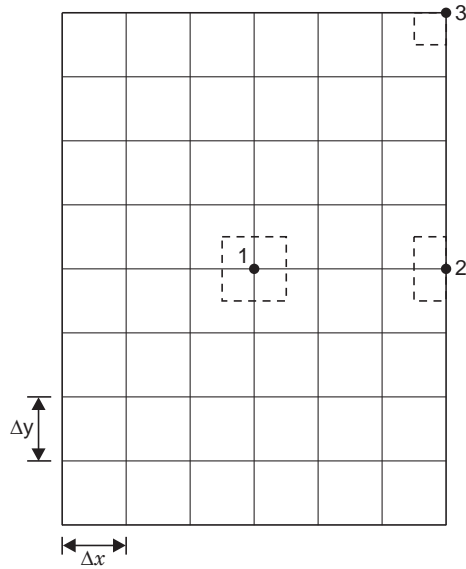


Fig. 5.8. (a) Nodal representation.

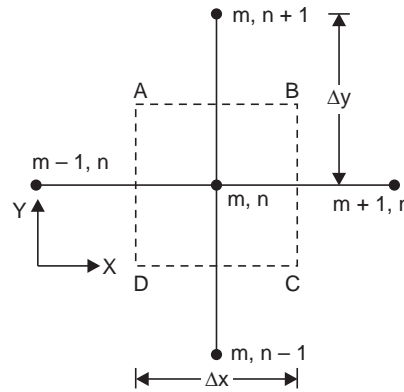


Fig. 5.8. (b) Internal node.

Simplification of 5.6 yields

$$T_{m-1, n} + T_{m, n+1} + T_{m+1, n} + T_{m, n-1} - 4T_{m, n} = 0 \quad \dots(5.22(a))$$

For internal nodes, when equal nodal distances are used the nodal temperature is the average of the adjacent temperatures. It is also assumed that the properties like conductivity are uniform and independent of temperature of location or direction. The equation 5.22(a) is applicable for all the nodes except those on the surface and corner.

Let us now consider the surface node (2). The node is shown in an enlarged view in Fig. 5.8 (c). As in the previous case assuming unit depth and considering the volume enclosed by ABCD, the total heat flow into the volume should be zero. There is no heat flow to the surface. Note now that the distances AB and CD are equal to $\Delta x/2$. The sum of heat conducted is given by

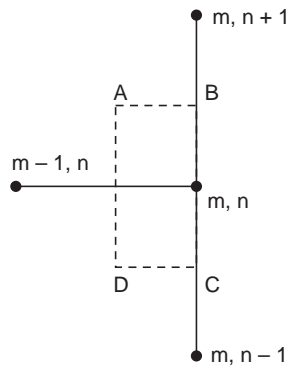


Fig. 5.8. (c) Surface node.

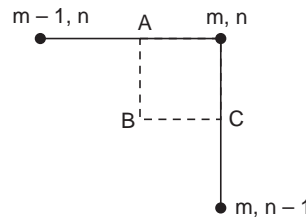


Fig. 5.8. (d) Corner node.

$$k\Delta y.1 \frac{(T_{m-1,n} - T_{m,n})}{\Delta x} + \frac{T_{m,n+1} - T_{m,n}}{\Delta y} \frac{\Delta x}{2} k.1 + \frac{T_{m,n-1} - T_{m,n}}{\Delta y} \frac{\Delta x}{2} k.1 = 0$$

or
$$2T_{m-1,n} + T_{m,n+1} + T_{m,n-1} - 4T_{m,n} = 0 \quad \dots(5.7 (b))$$

The other type of node in this problem is the external corner node, shown enlarged in Fig. 5.8 (d). In this case heat flow is through faces AB and BC. The net heat flow is

$$\frac{T_{m-1,n} - T_{m,n}}{\Delta x} \frac{\Delta y}{2} k.1 + \frac{T_{m,n-1} - T_{m,n}}{\Delta y} \frac{\Delta x}{2} k.1 = 0$$

Simplification gives
$$T_{m-1,n} + T_{m,n-1} - 2T_{m,n} = 0$$

Now as many equations as there are nodes can be obtained in this manner. The solution of these equations can be obtained using standard computer programmes.

The other types of nodes are (i) internal corner node with and without convection (ii) surface and corner nodes with heat convection and (iii) irregularly shaped node. But practically many other nodes are possible and the method to be used to obtain the equation connecting the temperatures is similar to the method adopted in the above case. Some of the important cases are given in data books and hand books. Some of these are also dealt with in the worked examples.

Example 5.5: Derive the nodal equation for the element shown in Fig. 5.9.

Solution: The total heat flow through the surfaces into the volume containing the node is equated to zero. The conduction surfaces are AB, BC, DE and EA. The convection surface is D-m, n. The convection temperature difference is assumed as $(T_{\infty} - T_{m,n})$. This yields

$$\begin{aligned} \frac{(T_{m-1,n} - T_{m,n})}{\Delta x} \cdot \Delta y \cdot k.1 + \frac{T_{m,n+1} - T_{m,n}}{\Delta y} \Delta x k.1 + \frac{T_{m+1,n} - T_{m,n}}{\Delta x} \frac{\Delta y}{2} k.1 \\ + \frac{T_{m,n-1} - T_{m,n}}{\Delta y} \cdot \frac{\Delta x}{2} \cdot k.1 + h \frac{\Delta y}{2} \cdot 1 \cdot (T_{\infty} - T_{m,n}) = 0 \end{aligned}$$

Simplifying, we get

$$2T_{m-1,n} + 2T_{m,n+1} + T_{m+1,n} + T_{m,n-1} - T_{m,n} \left(6 + \frac{h\Delta y}{k} \right) + \frac{h}{k} \Delta y \cdot T_{\infty} = 0$$

Similarly even radiation boundary can be considered.

The numerical method is flexible and can be used to analyse any type of boundary and also three dimensional flow. In three dimensional flow, two more surfaces for heat flow will be there and here also the nodal temperature will be the average of adjacent six nodal temperatures in the case of internal nodes. For other nodes, the areas, and flows have to be considered carefully to arrive at the nodal equations. This tedious process has been to some extent simplified in the finite element softwares and hence time need not be wasted in detailing. Very powerful softwares are replacing the present methods of solution of two and three dimensional heat conduction problems.

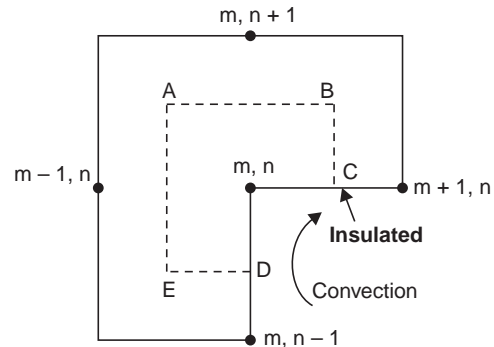


Fig. 5.9. Internal corner node.

5.4 ELECTRICAL ANALOGY

The flux plot by judgement is a tedious process and is to some extent subjective. As any potential is similar to temperature potential, electrically conducting papers and measuring instruments can be used to plot equivalent voltage and flow lines which can be used to calculate the shape factor more accurately. But this method is also obsolete.

5.5 IN THE FINITE DIFFERENCE FORMULATION

The temperature gradients are written as follows. Considering rule (m, n) surrounded by nodes $(m + 1, n)$, $(m - 1, n)$, $(m, n + 1)$ and $(m, n - 1)$ with nodal distances of $\Delta x = \Delta y$.

$$\left. \frac{\partial T}{\partial x} \right|_{m+\frac{1}{2},n} \simeq \frac{T_{m+1,n} - T_{m,n}}{\Delta x}$$

$$\left. \frac{\partial T}{\partial x} \right|_{m-\frac{1}{2},n} \simeq \frac{T_{m,n} - T_{m-1,n}}{\Delta x}$$

$$\left. \frac{\partial T}{\partial y} \right|_{m,n+\frac{1}{2}} \simeq \frac{T_{m,n+1} - T_{m,n}}{\Delta y}$$

$$\left. \frac{\partial T}{\partial y} \right|_{m,n-\frac{1}{2}} \simeq \frac{T_{m,n} - T_{m,n-1}}{\Delta y}$$

$$\left. \frac{\partial^2 T}{\partial x^2} \right|_{m,n} \simeq \frac{\left. \frac{\partial T}{\partial x} \right|_{m+\frac{1}{2},n} - \left. \frac{\partial T}{\partial x} \right|_{m-\frac{1}{2},n}}{\Delta x} = \frac{T_{m+1,n} + T_{m-1,n} - 2T_{m,n}}{\Delta x^2}$$

$$\left. \frac{\partial^2 T}{\partial y^2} \right|_{m,n} \simeq \frac{\left. \frac{\partial T}{\partial y} \right|_{m,n+\frac{1}{2}} - \left. \frac{\partial T}{\partial y} \right|_{m,n-\frac{1}{2}}}{\Delta y} = \frac{T_{m,n+1} + T_{m,n-1} - 2T_{m,n}}{\Delta y^2}$$

The equation
$$\frac{\partial^2 T}{\partial x^2} + \frac{\partial^2 T}{\partial y^2} = 0$$

Reduces to
$$\frac{T_{m+1,n} + T_{m-1,n} - 2T_{m,n}}{\Delta x^2} + \frac{T_{m,n+1} + T_{m,n-1} - 2T_{m,n}}{\Delta y^2} = 0$$

As $\Delta x = \Delta y$ (assumed), the final result is

$$T_{m+1,n} + T_{m-1,n} + T_{m,n+1} + T_{m,n-1} - 4T_{m,n} = 0.$$

This is the same as equation 5.6 (a)

If heat generation is involved or unsteady conditions prevail, the proper differential equation should be converted to difference equation as in the above example.

SOLVED PROBLEMS

Problem 5.1: For the boundary conditions for the plate shown in Fig. P. 5.1 determine using analytical method the temperature at the midpoint p , under steady two dimensional conduction. (use upto 5 terms in the series summation).

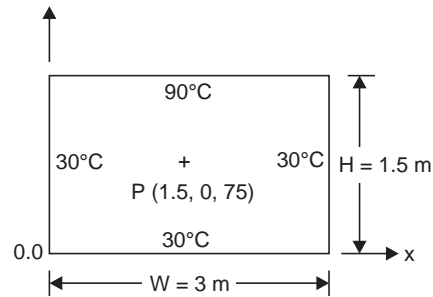


Fig. P. 5.1. Problem model.

Solution: Using equation 5.5

$$\frac{T - T_1}{T_2 - T_1} = \frac{2}{\pi} \sum_{n=1}^{\infty} \frac{(-1)^{n+1} + 1}{n} \sin \frac{n\pi x}{W} \cdot \frac{\sinh(n\pi y / W)}{\sinh(n\pi H / W)}$$

$$\frac{x}{W} = 0.5, \frac{y}{W} = 0.25, \frac{H}{W} = 0.5$$

Substituting and noting that odd terms are zero

$$\begin{aligned} \frac{T - 30}{90 - 30} &= \frac{2}{\pi} \left[2 \sin \frac{\pi}{2} \cdot \frac{\sinh(\pi/4)}{\sinh(\pi/2)} + \frac{2}{3} \sin(1.5\pi) \cdot \frac{\sinh(0.75\pi)}{\sinh(1.5\pi)} \right. \\ &\quad \left. + \frac{2}{5} \sin(2.5\pi) \cdot \frac{\sinh(1.25\pi)}{\sinh(2.5\pi)} + \frac{2}{7} \sin(3.5\pi) \cdot \frac{\sinh(1.75\pi)}{\sinh(3.5\pi)} + \frac{2}{9} \sin(4.5\pi) \cdot \frac{\sinh(2.25\pi)}{\sinh(4.5\pi)} \right] \\ &= \frac{2}{\pi} [0.7549 - 0.0626 + 0.0078 - 0.0012 + 0.0002] \\ &= 0.4451 \end{aligned}$$

$$\therefore T_p = 56.71^\circ\text{C}$$

More terms should be considered for points near the surface.

Problem 5.2: Use the data in problem 5.1 except that the top surface temperature is given by $T(x) = 30 + 60 \sin(\pi x/3)$ where x is in m and $T(x)$ is in $^\circ\text{C}$. Draw the contour for $T = 60^\circ\text{C}$.

Solution: Fig. P.5.1 and equation 5.4 are used.

First the location for 60°C is found on the edge $y = 1.5$.

$$T_{(x,y)} = T_1 + T_m \sin \frac{\pi x}{W} \cdot \frac{\sinh(\pi y / W)}{\sinh(\pi H / W)}$$

$$y = 1.5, H = 1.5, W = 3, T_1 = 30^\circ\text{C}, T_m = 60^\circ\text{C}$$

$$60 = 30 + 60 \sin \frac{\pi x}{3} \cdot \frac{\sinh(\pi 1.5 / 3)}{\sinh(\pi 1.5 / 3)} \quad \therefore x = 0.5 \text{ m}$$

Now taking x values of 0.75, 1, 1.25 and 1.5, y values are determined

$$\mathbf{x = 0.75: 60 = 30 + 60 \sin \left(\frac{\pi \cdot 0.75}{3} \right) \frac{\sinh(\pi y / 3)}{\sinh(\pi 1.5 / 3)} \quad \therefore \mathbf{y = 1.21 \text{ m}}$$

$$\mathbf{x = 1.00: 60 = 30 + 60 \sin \left(\frac{\pi \cdot 1}{3} \right) \frac{\sinh(\pi y / 3)}{\sinh(\pi 1.5 / 3)} \quad \therefore \mathbf{y = 1.05 \text{ m}}$$

$$\mathbf{x = 1.25: 60 = 30 + 60 \sin \left(\frac{\pi \cdot 1.25}{3} \right) \frac{\sinh(\pi y / 3)}{\sinh(\pi 1.5 / 3)} \quad \therefore \mathbf{y = 0.97 \text{ m}}$$

$$\mathbf{x = 1.5: 60 = 30 + 60 \sin \left(\frac{\pi \cdot 1.5}{3} \right) \frac{\sinh(\pi y / 3)}{\sinh(\pi 1.5 / 3)} \quad \therefore \mathbf{y = 0.94 \text{ m}}$$

This is plotted in Fig. P. 5.2.

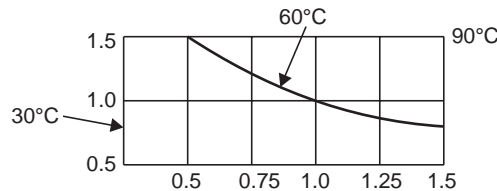


Fig. P. 5.2. Contour for 60°C.

Problem 5.3: A long pipe of outside diameter of 0.5 m is buried in earth with axis at a depth of 1.5 m. The surface of the pipe is at 85°C and the surface temperature of the earth is 20°C. Determine the heat loss from the pipe per m length. The conductivity of the earth is 0.52 W/mK.

The data are shown in Fig. P.5.3.

Solution: This problem is solved by using the shape factor concept. The shape factor is available in hand books and texts. In this case the shape factor is given by

$$\begin{aligned} \text{As } D > 3r \quad S &= \frac{2\pi L}{\ln(2D/r)} = \frac{2\pi \times 1}{\ln(2 \times 1.5/0.25)} \\ &= 2.529 \text{ m} = \mathbf{2.529 \text{ m}} \end{aligned}$$

$$\begin{aligned} \therefore \mathbf{Q} &= kS \Delta T = 0.52 \times 2.529 \times (85 - 20) \\ &= \mathbf{85.48 \text{ W/m length.}} \end{aligned}$$

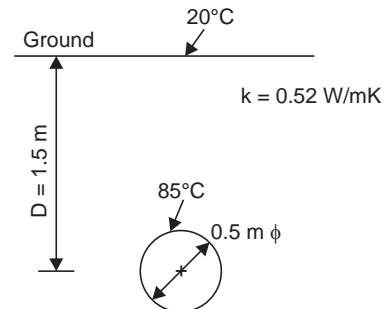


Fig. P. 5.3. Problem model.

Problem 5.4: If the pipe of problem 5.4 is buried with axis at a depth of 0.5 m, determine the heat loss/m length.

Solution: In this case $D < 3r$, From handbook

$$\therefore S = 2\pi L / \cos h^{-1}(D/r) = 2\pi \times 1 / \cos h^{-1}(0.5/0.25) = \mathbf{4.77}$$

$$\therefore Q = kS \Delta T = 0.52 \times 4.77 \times (85 - 20) = \mathbf{161.23 \text{ W/m length}}$$

If the equation as in problem 5.4 is used, $Q = 153.19 \text{ W}$, an under estimate.

Problem 5.5: If the pipe in P.5.3 buried at a much deeper level like 4 m, then determine the heat loss.

Solution: In this case $D \gg r$ and so also $L \gg D$

$$\therefore S = \frac{2\pi L}{\ln\left(\frac{L}{r}\right) \left\{ \frac{\ln(L/2D)}{1 - \ln(L/r)} \right\}} = \frac{2\pi \cdot 1}{\ln\left(\frac{1}{0.25}\right) \left\{ \frac{\ln(1/2 \times 4)}{1 - \ln(1/0.25)} \right\}} = 2.05 \text{ m}$$

$$Q = kS \Delta T = 2.05 \times 0.52 \times 65 = 69.19 \text{ W/m.}$$

Problem 5.6: A pipe of OD.0.5m carrying steam at 250°C is insulated with glass wool of $k = 0.058 \text{ W/mK}$ for a thickness of 0.1m and is buried in soil with centre line at a depth of 1.5m. The soil surface is at 0°C. Determine the heat flow per m length under steady conditions. $k = 0.52 \text{ W/mK}$ for the soil.

Solution: Also determine the temperature on the outside of insulation. The data are shown in Fig. P.5.6.

In this case two resistances are involved one due to the shape factor for the outer cylinder and the other resistance due to the insulation.

$$Q = \frac{250 - 0}{R_1 + R_2}$$

$$R_2 = \frac{1}{ks}, R_1 = \frac{\ln \frac{r_2}{r_1}}{2\pi k_w L}$$

$$S = 2\pi l / \ln(2D/r_2) \\ = 2\pi \times 1 / \ln(2 \times 1.5/0.35) = 2.925$$

$$\therefore R_2 = \frac{1}{0.52 \times 2.925} = 0.6576^\circ\text{C/W}$$

$$R_1 = \ln \frac{0.35}{0.25} / 2 \times \pi \times 0.058 \times 1 = 0.9233^\circ\text{C/W}$$

$$\therefore Q = \frac{250 - 0}{0.6576 + 0.923} = 158.14 \text{ W/m length}$$

The temperature on the outside insulation:

$$Q = \frac{250 - T}{\ln \frac{r_2}{r_1} / 2\pi k_w l} = \frac{250 - T}{0.9233}$$

$$\therefore T = 104^\circ\text{C.}$$

Problem 5.7: A long pipe of OD 0.6 m passes centrally inside in a concrete wall of 1.2 m thickness, the wall height is large compared to thickness. If the pipe is at 120°C and the concrete surfaces are at 5°C, determine the heat loss per m length. The conductivity of the concrete is 0.8 W/mK.

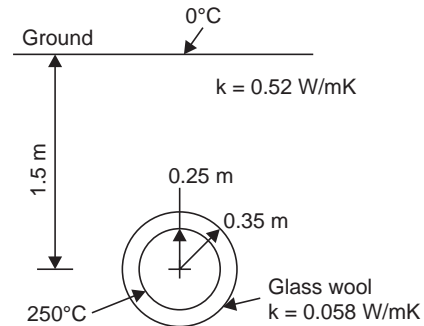


Fig. P. 5.6. Problem model.

Solution: In this problem also, the shape factor is to be used. The data are shown in Fig. P.5.7

From handbooks

$$\text{for } \frac{D}{2} > r, S = \frac{2\pi L}{\ln(4D/2r)}$$

$$= 2\pi \times 1 / \ln(1.2 \times 4 / 0.6)$$

$$= 3.02$$

$$\therefore Q = kS \Delta T = 0.8 \times 3.02 \times (120 - 5)$$

$$= 277.84 \text{ W/m.}$$

Problem 5.8: If in problem 5.8, the pipe is buried in concrete $1.2 \times 1.2 \text{ m}$ square section determine the heat loss/ m length.

Solution: The situation is represented in Fig. P.5.8

$$S = \frac{2\pi L}{\ln(1.08 W / D)}$$

$$= \frac{2\pi \times 1}{\ln(1.08 \times 1.2 / 0.6)} = 8.1588$$

$$\therefore Q = 0.8 \times 8.1588 \times (120 - 5) = 750.61 \text{ W}$$

This is 2.7 times the heat flow of P.5.7 due to the reduction of resistance on two sides.

Problem 5.9: A sphere of 1.5 m dia is buried in soil with centre at a depth of 6 m . Heat is generated in the sphere at a rate of 600 W . The soil surface is at 5°C and the conductivity of the soil is 0.52 W/mK . Determine the surface temperature of the sphere under steady state condition.

Solution: The situation is represented in Fig. P.5.9. Under steady state, heat generated = heat conducted away = $k S \Delta T$

From handbooks:

$$S = 4\pi r / (1 - (r/2D)) = \frac{4 \times \pi \times 0.75}{(1 - (0.75 / 2 \times 6))}$$

$$= 10.053$$

$$\therefore Q = kS \Delta T = 0.52 \times 10.053 \times (T - 5)$$

$$= 600 \text{ W}$$

$$\therefore \text{The surface temperature}$$

$$T = 119.8^\circ\text{C.}$$

Problem 5.10: A rectangular pipe with a surface temperature of 120°C is buried in soil as shown in Fig. P.5.10. Determine the heat loss per m length. The soil surface is at 0°C and the conductivity is 0.52 W/mK .

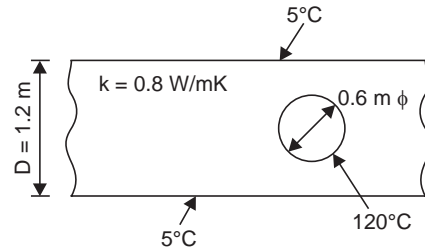


Fig. P.5.7. Problem model.

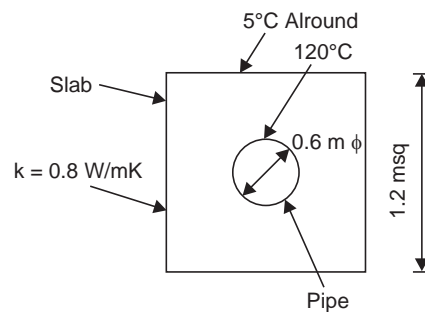


Fig. P.5.8. Problem model

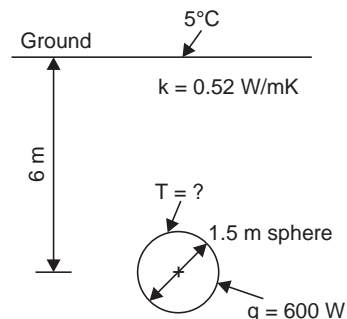


Fig. P.5.9. Problem model.

Solution: The shape factor is given by

$$S = 1.675L \left[\log \left(1 + \frac{b}{a} \right) \right]^{-0.59} \left[\frac{D}{C} \right]^{-0.078}$$

$$= 1.685 \times 1 \left[\log \left(1 + \frac{1.0}{0.4} \right) \right]^{-0.59} \left[\frac{1}{0.3} \right]^{-0.078}$$

$$= 2.1967$$

$$\therefore Q = 0.52 \times 2.1967 (120 - 0)$$

$$= 137.08 \text{ W/m length.}$$

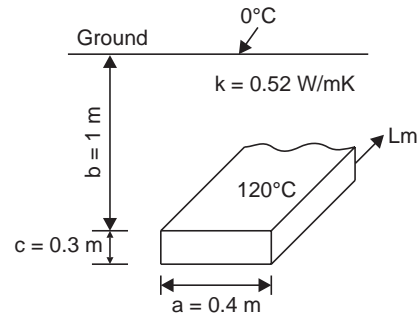


Fig. P.5.10. Problem model.

Problem 5.11: A casting in the form of a hemisphere of radius 0.4 m is in a sand mould on the ground with the circular face parallel to the ground and on the surface as shown in Fig. P.5.11. The surface temperature of the casting is 900°C and the soil temperature is 60°C. Determine the heat loss to the soil.

Solution: $k = 0.6 \text{ W/mK.}$

The shape factor $S = 2\pi r$

$$\therefore Q = 0.6 \times 2 \times \pi \times 0.4 (900 - 60)$$

$$= 1266.7 \text{ W}$$

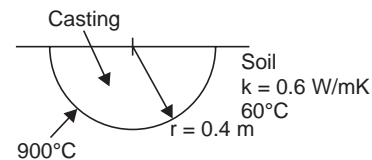


Fig. P.5.11. Problem model.

Problem 5.12: A spent nuclear material in the form of a thin disk and dia 0.4 m generating heat at 1 kW is buried in soil at a depth of 2 m. Determine the surface temperature of the disk. Conductivity of the soil is 0.6 W/mk. Soil surface is at 30°C.

Solution: The shape factor when depth is greater than diameter is given by $8R$. Where R is the radius of the disk $S = 8R$

$$\therefore 1000 = 0.6 \times 8 \times 0.4 (T - 30) \quad \therefore T = 550.83^\circ\text{C}$$

(Note: depth of burial does not figure in the shape factor)

Problem 5.13: Two long pipes one of OD 0.12 m carrying steam at 200°C and another of OD 0.08 m carrying water at 30°C are buried in soil at a centre distance of 0.6 m. The conductivity of the soil is 0.52 W/mK. Determine the heat flow between the pipes for 1 m length.

Solution: The situation is shown in Fig. P.5.13.

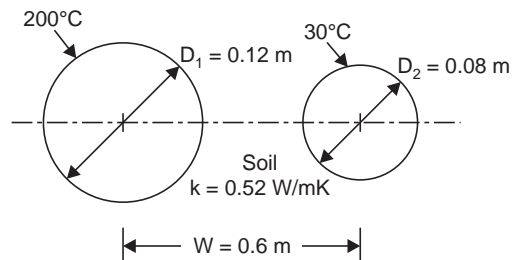


Fig. P.5.13. Problem model.

The shape factor is given by

$$S = \frac{2\pi L}{\cosh^{-1} \frac{(4W^2 - D_1^2 - D_2^2)}{2D_1 D_2}}$$

$$L = 1,$$

$$\therefore S = \frac{2\pi \times 1}{\cosh^{-1} \frac{4 \times 0.6^2 - 0.12^2 - 0.08^2}{2 \times 0.12 \times 0.08}} = 1.25763$$

$$\therefore Q = 1.25763 \times 0.52 (200 - 30) = 111.17 \text{ W.}$$

Problem 5.14: Two spheres of 0.2 m dia and 0.1 m dia with surface temperatures of 400°C and 40°C are buried in soil at a centre distance of 1m. The conductivity of the soil is 0.52 W/mK. Determine the heat exchange between the spheres.

Solution: The distance between the spheres D is greater than $5 \times r_1$, the radius of the larger sphere. Under this condition the shape factor

$$S = \frac{4\pi r_2}{(r_2 / r_1) \left[1 - \frac{(r_1 / D)^4}{1 - (r_2 / D)^2} \right] - [2r_2 / D]}$$

Where r_2 is the radius of smaller sphere.

$$\therefore S = \frac{4\pi \times 0.05}{(0.1 / 0.2) \left[1 - \frac{(0.1 / 1)^4}{1 - \left(\frac{0.05}{1}\right)^2} \right] - [2 \times 0.05 / 1]} = 1.571 \text{ m}$$

$$\therefore Q = 0.52 \times 1.571 (400 - 40) = 294.09 \text{ W.}$$

Problem 5.15: A heater of 5 mm dia and 90 mm length is fitted in a vertical hole in a metal with a conductivity of 12.5 W/mK, whose surface is at 20°C. If the heater dissipates 60 W, determine the temperature of the heater surface.

Solution: The data is shown in Fig. P.5.15.

From hand book, the shape factor S is obtained

$$S = \frac{2\pi L}{\ln(4L/D)} = \frac{2\pi \times 0.09}{\ln\left(\frac{4 \times 0.09}{0.005}\right)} = 0.13223$$

$$\text{and } Q = kS\Delta T = 12.5 \times 0.13223 \times (T - 20) = 60$$

$$\therefore T = 56.3^\circ\text{C}$$

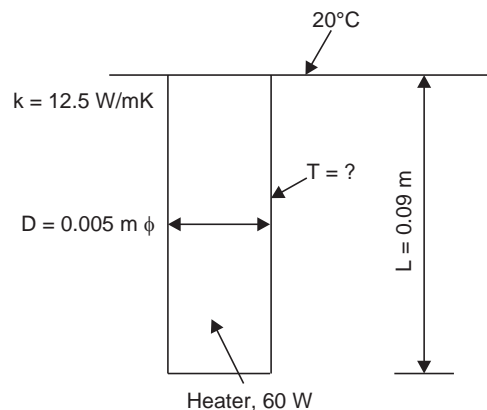


Fig. P.5.15. Model.

Problem 5.16: A disk 40 mm dia and generating 200W is placed on a semi infinite medium with thermal conductivity of 200W/mK. If the temperature of the medium is 30°C, determine the temperature of the disk surface in contact with the medium.

Solution: The shape factor for this situation is given as $2D$ where D is the diameter of the disk.

$$\begin{aligned} \therefore Q &= k 2D \Delta T = 200 = 200 \times 2 \times 0.04 \times (T - 30) \\ \therefore T &= 42.5^\circ\text{C}. \end{aligned}$$

Problem 5.17: If in the problem 5.17, there is a contact resistance of $5 \times 10^{-5} \text{ m}^2 \text{ }^\circ\text{C}/\text{W}$, determine the surface temperature.

Solution: There are two resistances in this case, (i) contact resistance and (ii) conduction resistance.

$$\text{These are: } \frac{1}{kS} \text{ and } 5.0 \times 10^{-5}/(\pi D^2/4)$$

$$\text{As } S = 2D,$$

$$\therefore 200 = \frac{T - 30}{\frac{1}{200 \times 2 \times 0.04} + \frac{5 \times 10^{-5} \times 4}{\pi \times 0.04^2}} = \frac{T - 30}{0.0625 + 0.0398}$$

$$\therefore T = 50.46^\circ\text{C}.$$

Problem 5.18: A furnace has inside dimensions of $1 \text{ m} \times 1.2 \text{ m} \times 1.5 \text{ m}$. The walls are 0.25 m thick. The inside surface is at 750°C while the outside surface is at 80°C . If the conductivity of the material is 0.45 W/mK determine the heat loss, taking into account the corner and edge effects and also the bottom. (shape factors are taken from hand books).

Solution: (i) The wall areas are: $2 \times 1 \times 1.2 + 2 \times 1.2 \times 1.5 + 2 \times 1 \times 1.5 \text{ m}^2 = 9 \text{ m}^2$

$$\text{Shape factor for walls} = \frac{A}{L}, (L - \text{thickness})$$

$$\therefore \text{Heat flow through walls} = 0.45 \times \frac{9}{0.25} \times (750 - 80) = 10854 \text{ W}$$

(ii) There are four edges each of 1m, 1.2 m and 1.5 m length and all of 0.25×0.25 section. Total length = $4 + 4.8 + 6 = 14.8 \text{ m}$. The shape factor is $0.54D$ where D is the length of edges.

$$\therefore Q_{\text{edges}} = 14.8 \times 0.54 \times 0.25 \times 0.45 \times (750 - 80) = 602 \text{ W}$$

(iii) There are 8 corners each of cubical shape of 0.25 m side. The shape factor is $0.15L$, where L is the length of side.

$$\therefore Q_{\text{corners}} = 8 \times 0.15 \times 0.25 \times 0.45 (750 - 80) = 90.45 \text{ W}$$

$$\text{Total heat flow} = 11546 \text{ W}$$

considering one dimensional flow with average area

$$2 \times 1.25 \times 1.45 + 2 \times 1.45 \times 1.75 + 2 \times 1.25 \times 1.75 = 13.075$$

$$Q = 0.45 \times \frac{13.075}{0.25} (750 - 80) = 15768.45 \text{ W}$$

Over estimates the heat flow by 27%

Problem 5.19: Write down the nodal equation for an inside corner node with inside surface exposed to convection.

Solution: The node is shown in Fig. P.5.19.

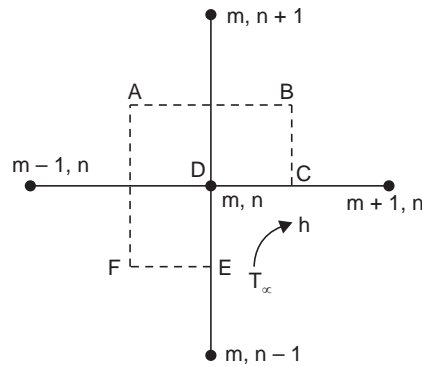


Fig. P.5.19.

Considering the node m, n

Heat flow across AB, BC, CD, DE, EF and FA are to be summed up. There is conduction across AB, BC, EF and FA and convection over CD and DE . Considering unit depth,

$$\begin{aligned} \therefore \quad & \frac{k\Delta x(T_{m,n+1} - T_{m,n})}{\Delta y} + \frac{k\Delta y}{2} \frac{(T_{m+1,n} - T_{m,n})}{\Delta x} + \frac{h\Delta x}{2}(T_{\infty} - T_{m,n}) \\ & + \frac{h\Delta y}{2}(T_{\infty} - T_{m,n}) + k \frac{\Delta x}{2} \frac{(T_{m,n-1} - T_{m,n})}{\Delta y} + k\Delta y \frac{(T_{m-1,n} - T_{m,n})}{\Delta x} = 0 \end{aligned}$$

Noting $\Delta x = \Delta y$. The equation is simplified as

$$2T_{m,n+1} + 2T_{m-1,n} + T_{m+1,n} + T_{m,n-1} - T_{m,n} \left[\frac{2h}{k} \Delta x + 6 \right] + 2 \left[\frac{h\Delta x}{k} \right] T_{\infty} = 0$$

This can be verified with the equation in texts.

$h \Delta x/k$ is considered as Biot number.

Problem 5.20: Derive the nodal equation for an exterior corner node with convection on one face, the other face being adiabatic. Indicate modification for heat generation.

Solution: The node is shown in Fig. P.5.20.

Considering heat flow across AB, BC and CD , (AD is adiabatic)

$$\begin{aligned} k \frac{\Delta y}{2} \frac{T_{m-1,n} - T_{m,n}}{\Delta x} + k \frac{\Delta x}{2} \frac{T_{m,n-1} - T_{m,n}}{\Delta y} + h \frac{1}{2} \Delta y (T_{\infty} - T_{m,n}) \\ = 0 \end{aligned}$$

Noting $\Delta x = \Delta y$, Simplification gives

$$2T_{m-1,n} + 2T_{m,n-1} - T_{m,n} \left[4 + \frac{h\Delta x}{k} \right] + T_{\infty} \frac{h\Delta x}{k} = 0 \quad \dots(1)$$

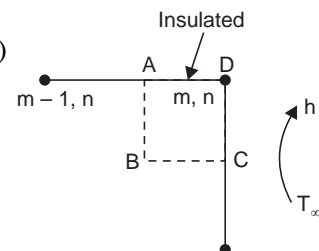


Fig. P.5.20. Cover node.

If q is the volume heat generation rate, the heat generated in the element

$$= \frac{\Delta x}{2} \times \frac{\Delta y}{2} \times 1 q = \frac{\Delta x^2}{4} q$$

This quantity should be added to the LHS of the equation 1 to take care of heat generation.

Problem 5.21: Derive the nodal equation for the node m, n shown in Fig. P.5.21.

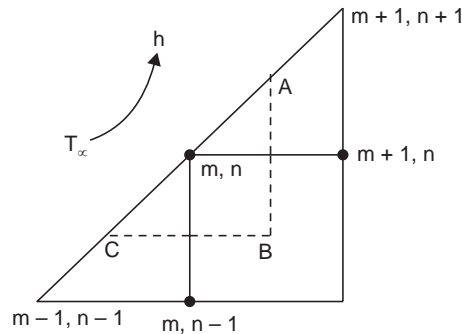


Fig. P.5.21.

Solution: The node m, n is enclosed by surfaces AB , BC , and CA . The surface CA is exposed to convection.

$$\frac{(T_{m+1,n} - T_{m,n})}{\Delta x} k \Delta y + \frac{(T_{m,n-1} - T_{m,n})}{\Delta y} k \Delta x + h \sqrt{\Delta x^2 + \Delta y^2} (T_\infty - T_{m,n}) = 0$$

Noting $\Delta x = \Delta y$

$$T_{m+1,n} + T_{m,n-1} - T_{m,n} \left(2 + \frac{\sqrt{2} \Delta x h}{k} \right) + \frac{\sqrt{2} \Delta x h}{k} T_\infty = 0$$

If heat generation is present add $\frac{\Delta x \cdot \Delta y}{2} q$ to the RHS.

Problem 5.22: A tool tip as shown in Fig. P.5.22 has a uniform heat flux of q W/m² on the top surface. Formulate the nodal equation for the tip. Assume a constant thickness.

Solution: The node is enclosed by surface AB , BC , and CA

AB receives uniform flux q W/m²

BC -conduction is present across this face

CA -convection over the face.

Heat balance yields: (assuming thickness t)

$$t \times \frac{\Delta x}{2} \cdot q + \frac{T_{m+1,n} - T_{m,n}}{\Delta x} \cdot \frac{\Delta y}{2} t k + h \cdot t \cdot \frac{1}{2} \sqrt{\Delta x^2 + \Delta y^2} (T_\infty - T_{m,n}) = 0$$

Cancelling t and noting $\Delta x = \Delta y$

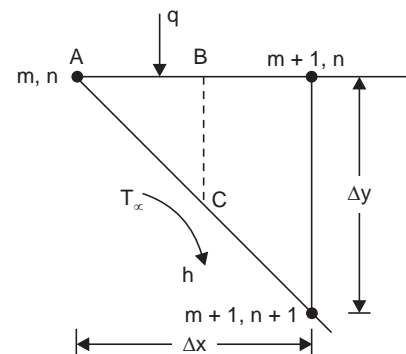


Fig. P.5.22. Model.

$$T_{m+1,n} + \frac{q\Delta x}{k} - T_{m,n} \left(1 + \frac{\Delta x\sqrt{2} \cdot h}{k} \right) + \frac{\Delta x h\sqrt{2}}{k} \cdot T_\infty = 0$$

Note: Check dimensions in each term for example

$$\frac{q}{k} \Delta x \rightarrow \frac{W}{m^2} \cdot \frac{mK}{W} \cdot m \text{ leading to } K$$

$$\frac{\Delta x h}{k} \rightarrow \frac{m \cdot W}{m^2 \cdot K \cdot W} \text{ no dimension. (Biot number)}$$

Problem 5.23: Formulate a nodal equation for a node on the interface of two materials.

Solution: The situation is shown in Fig. P.5.23.

The node under consideration is numbered zero and the adjacent nodes are numbered as 1, 2, 3, 4.

Considering heat flow across surfaces AB , BC , CD and AD (Unit depth)

- (i) Conduction across AB is in a single material A
- (ii) Conduction across BC is half in material A and half in B
- (iii) Conduction across CD is in material b
- (iv) Conduction across DA is half in material A and half in B .

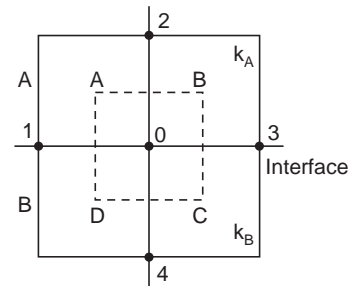


Fig. P.5.23. Model of node.

$$k_A \frac{\Delta x}{\Delta y} (T_2 - T_0) + k_A \frac{\Delta y}{2\Delta x} (T_3 - T_0) + k_B \frac{\Delta y}{2\Delta x} (T_3 - T_0) + k_B \frac{\Delta x}{\Delta y} (T_4 - T_0) + k_B \frac{\Delta y}{2\Delta x} (T_1 - T_0) + k_A \frac{\Delta y}{2\Delta x} (T_1 - T_0) = 0$$

Cancelling Δx and Δy as equal,

$$k_A (T_2 - T_0) + \frac{k_A}{2} (T_3 - T_0) + \frac{k_B}{2} (T_3 - T_0) + k_B (T_4 - T_0) + \frac{k_B}{2} (T_1 - T_0) + \frac{k_A}{2} (T_1 - T_0) = 0$$

$$2k_A T_2 + 2k_B T_4 + T_3(k_A + k_B) + T_1(k_A + k_B) - T_0(4k_A + 4k_B) = 0$$

If $k_A = k_B$ this reduces to

$$T_1 + T_2 + T_3 + T_4 - 4T_0 = 0 \text{ as a check.}$$

Problem 5.24: Formulate from basics the nodal equation for node m, n in Fig. P.5.24.

Solution: The temperature on the slant face is T_s . Considering faces AB , BC , CD and DA , these are all of length $\frac{3}{4} \Delta x$ and

distances from T_s to $T_{m,n}$ is $\frac{1}{2} \Delta x$.

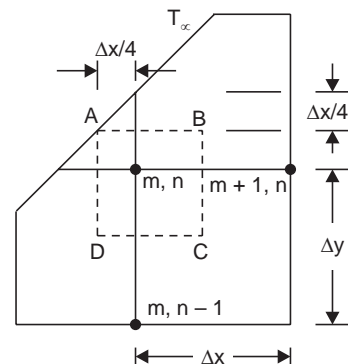


Fig. P.5.24. Node.

Writing the energy balance equation,

$$k \frac{3}{4} \Delta x \frac{(T_s - T_{m,n})}{(\Delta y / 2)} + k \frac{3}{4} \Delta y \frac{(T_{m+1,n} - T_{m,n})}{\Delta x} \\ + k \frac{3}{4} \Delta x \frac{(T_{m,n-1} - T_{m,n})}{\Delta y} + k \frac{3}{4} \Delta y \frac{(T_s - T_{m,n})}{(\Delta x / 2)} = 0$$

Cancelling k , Δx and $\frac{3}{4}$

$$2(T_s - T_{m,n}) + (T_{m+1,n} - T_{m,n}) + (T_{m,n-1} - T_{m,n}) + 2(T_s - T_{m,n}) = 0 \\ T_{m+1,n} + T_{m,n-1} + 4T_s - 6T_{m,n} = 0$$

This can be verified using tabulated values for a general node the slant face cutting the axes at a . Δx and b . Δy .

Problem 5.25: The temperature distribution and boundary condition in part of a solid is shown in Fig. P.5.25. Determine the Temperatures at nodes marked A, B and C. Determine the heat convected over surface exposed to convection. $k = 1.5 \text{ W/mK}$.

Solution: Considering A

$$k \times 0.1 \frac{(137 - T_A)}{0.1} + \frac{(172.9 - T_A)}{0.1} k \times 0.1 \\ + \frac{(200 - T_A)}{0.1} + k \times 0.1 + \frac{(132.8 - T_A)}{0.1} \times k \times 0.1 = 0$$

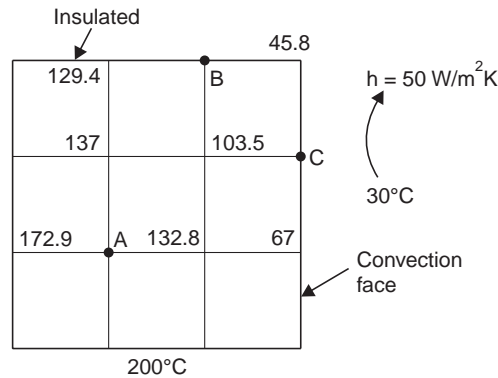


Fig. P.5.25.

$$\therefore 137 + 172.9 + 200 + 132.8 = 4T_A$$

$$\therefore T_A = 160.68^\circ\text{C}$$

Considering B

$$k \times 0.05 \frac{(129.4 - T_B)}{0.1} + \frac{(103.5 - T_B)}{0.1} k \times 0.1 + k \times 0.05 \frac{45.8 - T_B}{0.1} = 0$$

$$\therefore 129.4 + 2 \times 103.5 + 45.8 = 4T_B \quad \therefore T_B = 95.55^\circ\text{C}$$

Considering C

$$\frac{1.5 \times 0.05 (45.8 - T_C)}{0.1} + \frac{(103.5 - T_C) \times 0.1 \times 1.5}{0.1} + \frac{(67 - T_C) \times 1.5 \times 0.05}{0.1} + (30 - T_C) 50 \times 0.1 = 0$$

$$\therefore T_C = 48.7^\circ\text{C}$$

Heat flow by convection over the surface

$$= 50 (200 - 30) \times 0.05 + 50 \times 0.1 (67 - 30) + 50 \times 0.1 (48.7 - 30) + 50 \times 0.05 (45.8 - 30) = 743.15 \text{ W.}$$

EXERCISE PROBLEMS

- 5.1 A rectangle $0.5 \text{ m} \times 1 \text{ m}$ has both the 1 m sides and one 0.5 m side at 200°C . The other side is having a temperature distribution given by $T = 200 + 400 \sin(\pi x/0.5)$ where x is in m and T in $^\circ\text{C}$. Locate the y values at $x = 0.5 \text{ m}$ at which the temperatures will be $300, 400, 500^\circ\text{C}$. Also locate the values of x for $y = 1 \text{ m}$ at which these temperatures occur.
- 5.2 For the plate in problem 5.1 draw the contour for 350°C .
- 5.3 In problem 5.1 determine the temperatures at point $p (0.45, 0.5)$ and determine the heat conducted out across the plane $x = 0.475$ between the locations $y = 0.45$ and $y = 0.55$. Take $k = 40 \text{ W/mK}$.
- 5.4 A plate of size $0.5 \text{ m} \times 1 \text{ m}$ has three of the sides at 200°C while the fourth side of 0.5 m length is held at 600°C . Determine the temperatures at location P $(0.45, 0.5)$ and calculate the amount of heat conducted along the x direction across the plane $x = 0.475$ between the locations $y = 0.45$ and $y = 0.55$.
- 5.5 A pipe carrying oil and having a diameter of 0.6 m is buried in soil of conductivity 0.6 W/mK at a depth of 6 m . The surface temperature of the pipe is 80°C . The surface of the soil is at -10°C . Determine the heat loss from the pipe for 1 m length. If the velocity is 2 m/s and the density is 900 kg/m^3 and specific heat 2000 J/kgK determine the temperature drop in flow through a distance of 100 m .
- 5.6 In problem 5.5, if the pipe is insulated with a 10 cm layer of insulation of thermal conductivity 0.04 W/mK determine the heat loss per m and also the temperature on the out side surface of insulation.
- 5.7 A sphere containing spent nuclear material and of diameter 0.6 m is buried in soil at a depth of 10 m . The soil thermal conductivity is 0.6 W/mK . If the heat generated in the sphere is 10^6 W/m^3 , determine the surface temperature of the sphere. The soil surface temperature is 10°C .
- 5.8 A pipe carrying steam and of OD 0.15 m is embedded centrally in a concrete wall of thickness 0.4 m . The conductivity of the material is 1.4 W/mK . If the surface temperature of the pipe is 200°C and the surface temperature of the wall is 10°C , determine the heat loss from the pipe for a length of 6 m .
- 5.9 If in the problem 5.8 the pipe is encased in a concrete block of $0.4 \times 0.4 \text{ m}$ centrally, determine the heat loss per m length.
- 5.10 A pipe carrying steam at 250°C with and OD of 0.2 m is insulated using a material with conductivity of 0.085 W/mK . The insulation is off-set from the axis by 0.05 m and the OD of the

- insulation is 0.4 m. Determine the heat loss from the pipe if the outside surface temperature of the insulation is 60°C.
- 5.11 A pipe carrying hot water at 90°C and having an outer diameter of 0.4 m is buried parallel with a water pipe of diameter of 0.3 m at a centre distance of 0.8 m. The conductivity of the soil is 0.65 W/mK. If the water is at 15°C determine the heat gain by the water pipe.
- 5.12 A hole in a large metal piece is to be heat treated. The hole is 5 mm in dia and 65 mm in depth. The hole surface should be maintained at 220°C. Determine the heat input necessary. The metal surface is at 40°C and the conductivity of the metal is 30 W/mK.
- 5.13 A sphere of 0.35 m dia and another of 0.25 m dia are buried at a centre distance of 0.85 m in soil. The larger sphere is at 250°C and the smaller one is at 30°. If the conductivity of the soil is 0.52 W/mK, determine the heat flow from the larger to the smaller sphere.
- 5.14 A spot of dia 50 mm in a large metal surface is to be maintained at 300°C. The metal is at 30°C. Determine the rating for the heater. The conductivity of the metal is 130 W/mK.
- 5.15 A furnace has internal dimensions of 2 m × 1.5 m × 1.2 m and the wall thickness is 0.2 m. The inner surfaces are at 650°C and the outer surface is at 80°C. If the conductivity of the wall material is 0.4 W/mK. Determine the heat loss through the walls and the floor.
- 5.16 Write down the nodal equation for the nodes shown in Fig. 5.16 (a), (b), and (c).

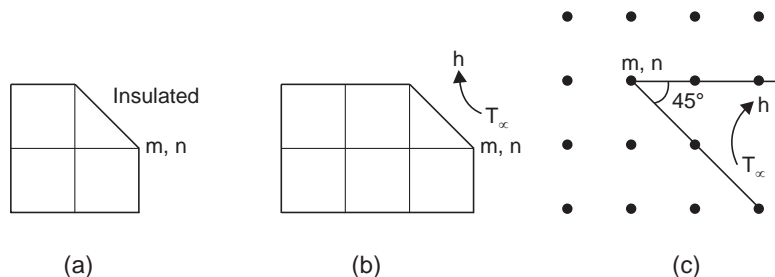


Fig. 5.16 (a, b, c)

- 5.17 Write the nodal equation for a corner node when corner is in contact with another material as in Fig. 5.17.

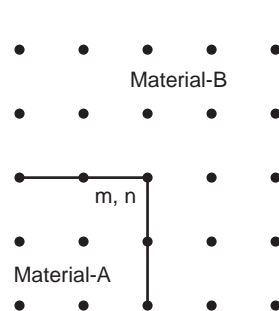


Fig. 5.17.

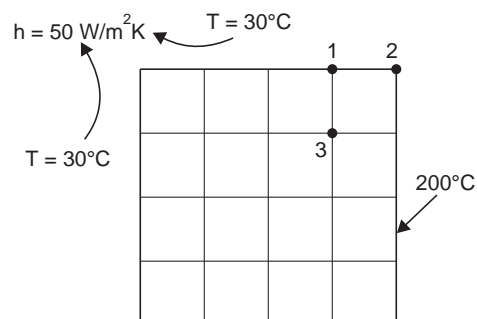


Fig. 5.18

- 5.18 Write down the nodal equations for the nodes shown in Fig. 5.18 for nodes 1, 2 and 3.

- 5.19** The temperature in a plate at the nodes indicated are shown in Fig. 5.19. Determine the heat flow over the surfaces.

The conductivity is $3 \text{ W/m}^\circ\text{C}$, Top surface is exposed to convection at 50°C with $h = 50 \text{ W/m}^2\text{K}$

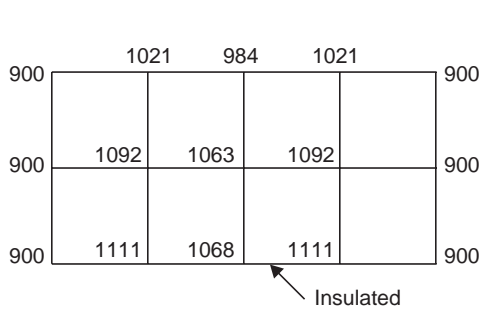


Fig. 5.19.

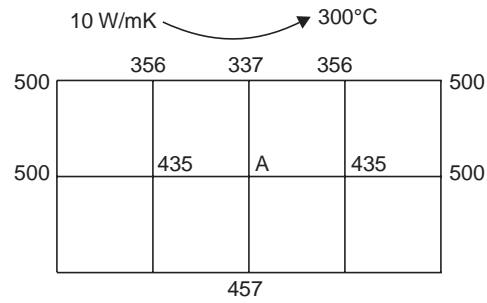


Fig. 5.20

- 5.20** A part of a solid with temperatures at the nodes and the boundaries are shown in Fig. 5.20. Determine the temperature at node A and also the heat flow over the convecting surface. The top surface is exposed to convection at 300°C with $h = 10 \text{ W/m}^2\text{K}$.
- 5.21** A rod 15 mm dia and 200 mm long has a heat generation rate of 10^6 W/m^3 . The rod is exposed to convection over the surface to air at 40°C with $h = 20 \text{ W/m}^2\text{C}$. The conductivity of the material is 5 W/mK . Both ends are at 40°C . Write down nodal equations taking 20 mm nodal distances and solve for the temperatures.

6

TRANSIENT HEAT CONDUCTION

6.0 INTRODUCTION

Heat transfer equipments operating at steady state is only one phase of their functioning. These have to be started and shut down as well as their performance level may have to be altered as per external requirements. A heat exchanger will have to operate at different capacities. This changes the conditions at the boundary of heat transfer surfaces. Before a barrier begins to conduct heat at steady state the barrier has to be heated or cooled to the temperature levels that will exist at steady conditions. Thus the study of transient conduction situation is an important component of conduction studies. This study is a little more complicated due to the introduction of another variable namely time to the parameters affecting conduction. This means that temperature is not only a function of location but also a function of time, τ , *i.e.* $T = T(x, y, z, \tau)$. In addition heat capacity and heat storage (as internal energy) become important parameters of the problem. The rate of temperature change at a location and the spatial temperature distribution at any time are the important parameters to be determined in this study. This automatically provides information about the heat conduction rate at any time or position through the application of Fourier law.

6.1 A WALL EXPOSED TO THE SUN

A wall exposed to the sun has to first get heated before it conducts heat into an airconditioned room. A vegetable taken out of a refrigerator and left in air gets heated up. How long will it take for the material to reach room conditions? A vegetable is placed in refrigerator. How long will it take for it to cool down? What is the load on the refrigerator at any instant? Questions similar to these are answered in this chapter.

6.1.1. There are two distinguishable ways in which things may heat up or cool down. (i) The temperature within the body remains the same at all locations at any one time but this value will vary continuously with time (Fig. 6.1 (a)). This can be observed in heating up or cooling down of materials with high conductivity, small size or low surface convection. The temperature gradient within the body is nearly zero all over the body or the temperature at any location and at any instant is nearly the same. (ii) The other type is when there is an observable and large temperature variation within a body. This is illustrated in Fig. 6.1 (b). In Fig. 6.1(a), the temperature is shown to vary with time, but within the body the temperature is the same. In Fig. 6.1(b) temperature is shown to vary not only with time but also with location.

In the first type, conduction within the body is not a problem. The body as a whole can be considered to be at a given temperature at any instant. The model for this study is known as “Lumped parameter” model. The body in this case need not be studied as made up of different

layers with heat being conducted and stored at different rates at different layers. In this case an energy balance equation is sufficient to predict the temperature at any instant. This phenomenon is discussed first before taking up the more complex—the second type.

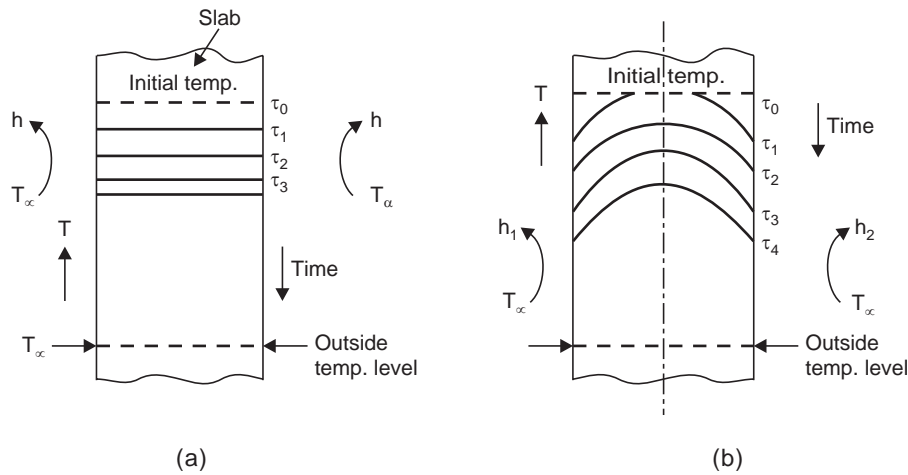


Fig. 6.1 (a) Cooling down without large temperature gradient in the body.
 (b) Cooling down with a large temperature gradient within the body.

6.2 LUMPED PARAMETER MODEL

It is also known as lumped heat capacity system. This model is applicable when a body with a known or specified temperature level is exposed suddenly to surroundings at a different temperature level and when the temperature level in the body as a whole increases or decreases without any difference of temperature within the body. *i.e.*, $T = T(\tau)$ only. Heat is received from or given to the surroundings at the surface and this causes a temperature change instantly all through the body. The model is shown in Fig. 6.2.

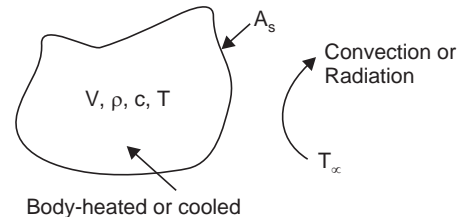


Fig. 6.2. Lumped heat capacity system.

The body with surface area A_s , volume V , density ρ , specific heat c and temperature T at the time instant zero is exposed suddenly to the surroundings at T_∞ with a convection coefficient h (may be radiation coefficient h_r). This causes the body temperature T to change to $T + dT$ in the time interval $d\tau$. The relationship between dT and $d\tau$ can be established by the application of the energy conservation principle.

Heat convected over the boundary = Change in internal energy
over a time period $d\tau$ during this time

If dT is the temperature change during the time period $d\tau$ then the following relationship results: (A_s -Surface area)

$$h A_s (T - T_\infty) d\tau = \rho c V dT \quad \dots(6.1)$$

This equation can be integrated to obtain the value of T at any time. The integration is possible after introducing a new variable.

$$\theta = T - T_{\infty} \quad \dots(6.2)$$

The equation (6.1) now becomes

$$h A_s \theta d\tau = \rho c V d\theta \quad \dots(6.3)$$

$$\frac{hA_s}{\rho cV} d\tau = d\theta \quad \dots(6.3 (a))$$

Separating the variables and integrating and using the initial conditions that at $\tau = 0$, $\theta = \theta_0$ and denoting $V/A_s = L$, we get

$$\ln \frac{\theta}{\theta_0} = \frac{hA_s}{\rho cV} \cdot \tau$$

Substituting for θ and θ_0 and taking the antilog

$$\frac{T - T_{\infty}}{T_0 - T_{\infty}} = e^{-\frac{hA_s}{\rho cV} \tau} = e^{-\frac{h}{\rho cL} \tau} \quad \dots(6.4)$$

Heat flow up to time τ

$$\theta = \rho cV (T_{\tau} - T_i) \quad \dots(6.4(a))$$

where T_i is the initial temperature of the body. The value of V/A_s for cylinder, sphere and cube are $r/2$, $r/3$ and $a/6$ where a is the side of the cube.

This shows that the temperature decays or builds up exponentially and the rate depends on the parameter $(hA_s/\rho cV)$ as shown in Fig. 6.3 (a, b).

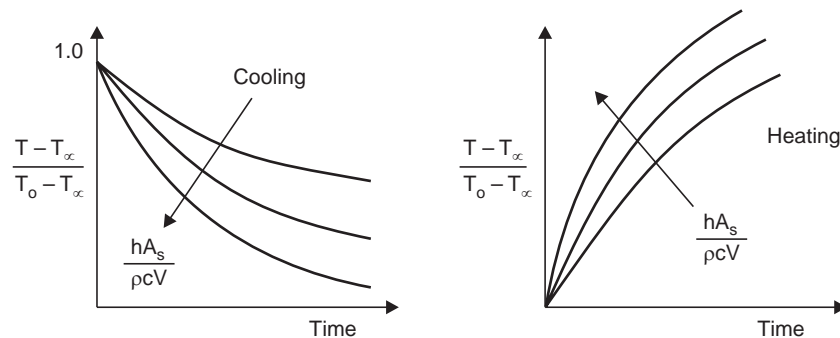


Fig. 6.3. (a) Cooling, (b) Heating.

For radiation boundary refer solved problem 6.9.

6.2.1. Applicability of the relationship in equation (6.4) depends on several factors, but the condition can be checked by using the relative temperature drop within the solid compared to the temperature drop from the outside surface to the fluid. Heat is conducted within the solid and this can be obtained using the equations derived in the case of a slab as

$$Q = \frac{kA(\Delta T)_s}{L}$$

where ΔT_s is the temperature drop in the solid, L is the thickness and k thermal conductivity.

This heat is convected at the surface and is given by

$$Q = hA(\Delta T)_c \text{ where } (\Delta T)_c \text{ is the convection drop.}$$

Equating these two RHS

$$\frac{(\Delta T)_s}{(\Delta T)_c} = \frac{hL}{k}$$

It can be checked that the term hL/k is dimensionless. This dimensionless quantity is named as **Biot number**. If this number is small then $(\Delta T)_s$ will be small and so the temperature difference in the body is small and so it can be taken as the check for the applicability of lumped parameter model. If Biot number is less than 0.1, it has been proved that this model can be used without appreciable error. As this model is simpler to apply, it is worthwhile checking in all cases for the value of Biot number before attempting the solution. If $Bi < 0.1$, then the simpler model can be adopted.

6.2.2. Electrical Analogy: Now going back to equation (6.4), the term $(hA_s/\rho Vc)$ can be used to visualise an **electrical analogy in terms of a capacitance resistance circuit** and the process of heating

or cooling as charging and discharging the capacitor $\frac{1}{hA_s}$ is

the convection resistance, ρVc is the heat capacity of the system and hence the analogy. In the case of transient conduction, the heat capacity to the material is taken as equivalent to the capacitance in an electrical circuit. The equivalent circuit is shown in Fig. 6.4.

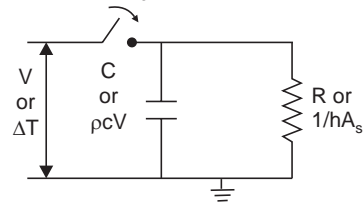


Fig. 6.4. Resistance capacitance circuit.

6.2.3. The quantity $(hA_s/\rho Vc)$ can also be expressed as a product of two dimensionless numbers by rearranging the terms as below, taking $A_s/V = 1/L$ an equivalent length

$$\frac{hA_s\tau}{\rho Vc} = \frac{hL}{k} \left(\frac{k\tau}{\rho cL^2} \right) = \frac{hL}{k} \cdot \frac{\alpha\tau}{L^2} = Bi.Fo. \quad \dots(6.5)$$

The Biot number has already been defined. It should be noted here that $L = V/A_s = \text{Volume/Surface area}$. The value of L can be obtained from the shape of the solid. The quantity $(k/\rho c)$ has already been defined as thermal diffusivity. $\alpha\tau/L^2$ is defined as Fourier number. This number signifies the heat penetration depth in time τ , with respect to the body dimension. Fourier number should be large for quick heating or cooling. Leaving out the time, higher the value of thermal diffusivity or smaller the body dimension, quicker will be the heating up or cooling down.

The response characteristics of a body with respect to heating or cooling is compared by using the time required for the temperature difference to drop to $1/e$ times the original value (e -base of natural logarithm). This time is called the **thermal time constant** for the condition specified. This leads to the condition that the time constant

$$\tau_c = \frac{\rho Vc}{hA_s} \quad \dots(6.6)$$

For quick response as in the case of probes for temperature measurements the time constant should be small.

Example 6.1: A thermocouple is formed by soldering end-to-end wires of 0.5 mm dia. The thermal diffusivity of the material is $5.3 \times 10^{-6} \text{ m}^2/\text{s}$. The conductivity of the material is 19.1 W/mK. The probe initially at 30°C is placed in a fluid at 600°C to measure the temperature of the fluid. If the convective heat transfer coefficient between the wire and the fluid is 85 W/m²K, determine the time constant for the probe and also the time taken for it to read 598°C.

Solution: Using equation (6.4)

$$\frac{T - T_\infty}{T_0 - T_\infty} = e^{-(hA_s/\rho Vc)\tau} \text{ and noting } A_s/V = \frac{2\pi rl}{\pi r^2 l} = \frac{2}{r}$$

First a check is made to find the applicability of the Lumped parameter model

$$\frac{hL}{k} = \frac{85 \times 0.00025}{19.1 \times 2} = 0.55 \times 10^{-3} \ll 0.1.$$

So the model can be used. Noting $\rho c = k/\alpha$

(i) τ_c = Time constant (eqn. 6.6)

$$(\rho Vc/hA_s) = \frac{k}{\alpha} \cdot \frac{r}{2} \cdot \frac{1}{h} = \frac{19.1}{5.3 \times 10^{-6}} \cdot \frac{0.00025}{2} \cdot \frac{1}{85} = 5.355 \text{ S}$$

$$(ii) \frac{598 - 600}{30 - 600} = e^{-\left(\frac{85 \times 2 \times 5.3 \times 10^{-6}}{0.00025 \times 19.1}\right)\tau} = e^{-0.1887\tau}$$

$\therefore \tau = 30 \text{ seconds}$

This is rather long and attempts should be made to reduce the value, if the instrument is to be useful. This can be achieved by reducing heat capacity and or increasing the value of h .

Example 6.2: A slab of high thermal conductivity at temperature T_i at zero time receives on one side a heat flux of $q \text{ W/m}^2$. On the other side there is convection at a temperature T_∞ with convection coefficient $h \text{ W/m}^2\text{k}$. The thickness of the slab is $L \text{ m}$. Drive an expression for the temperature at time τ . Assume that lumped heat capacity model can be used.

Solution: The energy equation is

$$Aq + Ah [T_\infty - T_\tau] = \rho cAL \frac{dT_\tau}{d\tau}$$

or $q + h (T_\infty - T_\tau) = \rho cL \frac{dT_\tau}{d\tau}$

Defining $\theta_\tau = T_\tau - T_\infty$, and $Q = q/\rho cL$

$$\frac{d\theta_\tau}{d\tau} + \frac{h}{\rho cL} \theta_\tau = \frac{q}{\rho cL} = Q$$

The solution in this equation is defining $\frac{h}{\rho cL}$ as m ,

$$\theta_\tau = ce^{-m\tau} + \theta_p$$

c is the constant of integration and $\theta_p = \frac{Q}{m}$ is the particular solution.

$$\theta_\tau = \theta_0 \text{ at } \tau = 0, \text{ i.e. } \theta_\tau = T_i - T_\infty.$$

$$\therefore \theta_0 = c + \frac{Q}{m}$$

$$\therefore \theta_\tau = \theta_0 e^{-m\tau} + (1 - e^{-m\tau}) \frac{Q}{m}$$

The final result being

$$\text{or } \theta_\tau = T_\tau - T_\infty = \theta_0 e^{-m\tau} + (1 - e^{-m\tau}) \frac{Q}{h} \quad \dots(\text{E.6.2.1})$$

$$\text{when the time is long, or } \tau \longrightarrow \infty \quad \dots(\text{E.6.2.2})$$

$$\theta_{\infty} = \frac{q}{h}$$

Example 6.3: A solar **concentrator** provides a heat flux of 8000 W/m^2 to heat a 10 mm plate on one side. The other side of the plate is exposed to convection at $40 \text{ W/m}^2\text{K}$ at 20°C . The plate material has a density of 800 kg/m^3 and specific heat of 500 J/kg K . The initial temperature of the plate is 20°C . Thermal conductivity of the material is $80 \text{ W/m}^\circ\text{C}$.

- (i) Determine the time for the plate to reach 100°C .
(ii) Determine the plate temperature after 6 minutes.

Solution:

$$Bi = \frac{hL}{k} = \frac{40 \times 0.01}{80} = 0.005$$

Hence lumped parameter model can be used.

From equation (E.6.2.1)

$$\theta_{\tau} = \theta_0 e^{-m\tau} + (1 - e^{-m\tau}) \frac{q}{h}$$

This can be reordered as

$$\tau = \frac{1}{m} \ln \left(\frac{\theta_0 - \frac{q}{h}}{\theta_{\tau} - \frac{q}{h}} \right)$$

$$\theta_0 = 20 - 20 = 0, \quad \theta_{\tau} = 100 - 20 = 80$$

$$\frac{q}{h} = \frac{8000}{40} = 200, \quad m = \frac{k}{\rho c L} = \frac{80}{800 \times 500 \times 0.01} = 0.02$$

$$\therefore \tau = \frac{1}{0.02} \ln \frac{-\frac{8000}{40}}{80 - \frac{8000}{40}} = \mathbf{25.5 \text{ seconds}}$$

The plate will reach 100°C after 25.5 seconds or 0.43 min.

To find the temperature after 6 minutes or 360 sec

$$\theta_{\tau} = 0 + (1 - e^{-0.002 \times 360}) \frac{8000}{40} = 102.6^\circ\text{C}$$

Temperature after 6 min.

$$\therefore T_{\tau} = 102.6 + 20 = \mathbf{122.6^\circ\text{C}}$$

6.3 SEMI INFINITE SOLID

Theoretically a solid which extends in both the positive and negative y and z directions to infinity and in the positive x direction to infinity is defined as a semi infinite body. There can be no such body in reality. If one surface of a solid with a particular temperature distribution is suddenly exposed to convection conditions or has its surface temperature changed suddenly,

conduction will produce a change in the temperature distribution along the thickness of the body. If this change does not reach the other side or surface of the solid under the time under consideration, then the solid may be modelled as semi infinite solid. A thick slab with a low value of thermal diffusivity exposed to a different environment on its surface can be treated as semi infinite body, provided heat does not penetrate to the full depth in the time under consideration. A road surface exposed to solar heat or chill winds can be cited as an example of a semi infinite body. There are a number of practical applications in engineering for the semi infinite medium conduction.

The differential equation applicable is the simplified general heat conduction equation: in rectangular coordinates, (excluding heat generation) eqn. 2.6 c.

$$\frac{\partial^2 T}{\partial x^2} = \frac{1}{\alpha} \frac{\partial T}{\partial \tau} \quad \dots(6.7)$$

There are three types of boundary conditions for which solutions are available in a simple form. These are (i) at time $\tau = 0$, the surface temperature is changed and maintained at a specified value, (ii) at time $\tau = 0$, the surface exposed to convection at T_∞ and (iii) at time $\tau = 0$, the surface is exposed to a constant heat flux q .

6.3.1. Surface temperature suddenly changed and maintained: The conditions can be stated as follows:

$$\text{at } \tau = 0, T(x, \tau) = T_i, \text{ or } T(x, 0) = T_i$$

$$\text{For } \tau > 0, T(0, \tau) = T_s \text{ i.e. at } x = 0, T = T_s \text{ at all times.}$$

The analytical solution for this case is given by derivation available in specialised texts on conduction

$$\frac{T_{x,\tau} - T_s}{T_i - T_s} = \text{erf} \left(\frac{x}{2\sqrt{\alpha\tau}} \right) \quad \dots(6.8)$$

where, erf indicates “error function of” and the definition of error function is generally available in mathematical texts. Usually tabulations of error function values are available in handbooks. (Refer appendix).

The heat flow at the surface at any time is obtained using Fourier’s equation $-kA (dT/dx)$. The surface heat flux at time τ is

$$q_s(\tau) = k(T_s - T_i)/\sqrt{\pi\alpha\tau} \quad \dots(6.9)$$

The total heat flow during a given period can be obtained by integrating $q_s(\tau) d\tau$ between the limits of 0 and τ

$$Q_\tau = 2k \times A (T_s - T_i) \sqrt{\tau/\pi\alpha} \quad \dots(6.10)$$

The heat flow at any section at a specified time is given by

$$q_x(\tau) = \frac{k(T_s - T_i)}{\sqrt{\pi\alpha\tau}} \exp[-x^2/4\alpha\tau] \quad \dots(6.11)$$

The temperature distribution with time in this case is shown schematically in Fig. 6.5.

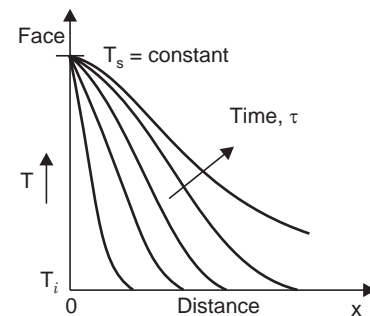


Fig. 6.5. Temperature distribution in semi infinite solid whose surface is suddenly raised and maintained at T_s .

Example 6.4: A thick concrete wall fairly large in size initially at 30°C suddenly has its surface temperature increased to 600°C by an intense fire which lasted for 25 minutes. The material will disintegrate upto a depth where the temp. reaches 400°C. Determine the thickness which may disintegrate. The thermal diffusivity is $4.92 \times 10^{-7} \text{ m}^2/\text{s}$; $k = 1.28 \text{ W/mK}$. Also determine the total heat flow $/\text{m}^2$ during the time.

Solution: As it is mentioned that it is a thick wall, without any thickness dimension, semi infinite solid model is applicable. Also the surface temperature is suddenly increased and maintained at 600°C. Using equation (6.8)

$$\frac{T_{(x,\tau)} - T_s}{T_i - T_s} = \text{erf} \left(\frac{x}{2\sqrt{\alpha\tau}} \right)$$

Substituting the values

$$\frac{400 - 600}{30 - 600} = \text{erf} \left(\frac{x}{2\sqrt{\alpha\tau}} \right), \text{ Using tables of error function}$$

$$\frac{x}{2\sqrt{\alpha\tau}} = 0.32$$

$$\therefore x = 0.32 \times 2\sqrt{\alpha\tau} = 0.32 \times 2\sqrt{4.92 \times 10^{-7} \times 25 \times 60} = \mathbf{0.017 \text{ m}}$$

The concrete will disintegrate to a depth of 17 mm.

Using equation (6-10)

$$\mathbf{Q(\tau) = 2k (T_s - T_i) \left(\frac{\sqrt{\tau}}{\pi\alpha} \right)}$$

$$\text{For 25 minutes, } \therefore \mathbf{Q = 2 \times 1.28 (600 - 30) \sqrt{25 \times 60 / \pi \times 4.92 \times 10^{-7}}} \\ = \mathbf{45.5 \times 10^6 \text{ J/m}^2}$$

6.3.2. The boundary condition more commonly met with is convective boundary. The initial and boundary conditions are:

$$\tau = 0, T(x, 0) = T_i$$

$$-k \frac{dT}{dx} \Big|_{x=0} = h(T_\infty - T_{0,\tau}) \quad \dots(6.12)$$

The temperature at any location and time is obtained as

$$\frac{T_{x,\tau} - T_i}{T_\infty - T_i} = \left[1 - \text{erf} \frac{x}{2\sqrt{\alpha\tau}} \right] \\ - \left[1 - \text{erf} \left(\frac{x}{2\sqrt{\alpha\tau}} + \frac{h\sqrt{\alpha\tau}}{k} \right) \right] \\ \times \left[\exp \left(\frac{hx}{k} + \frac{h^2\alpha\tau}{k^2} \right) \right] \quad \dots(6.13(a))$$

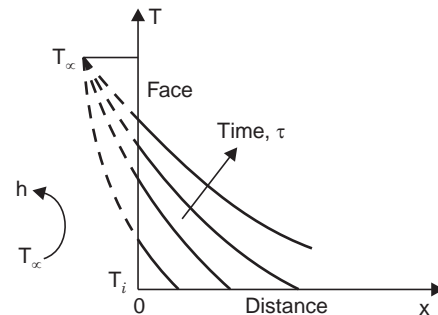
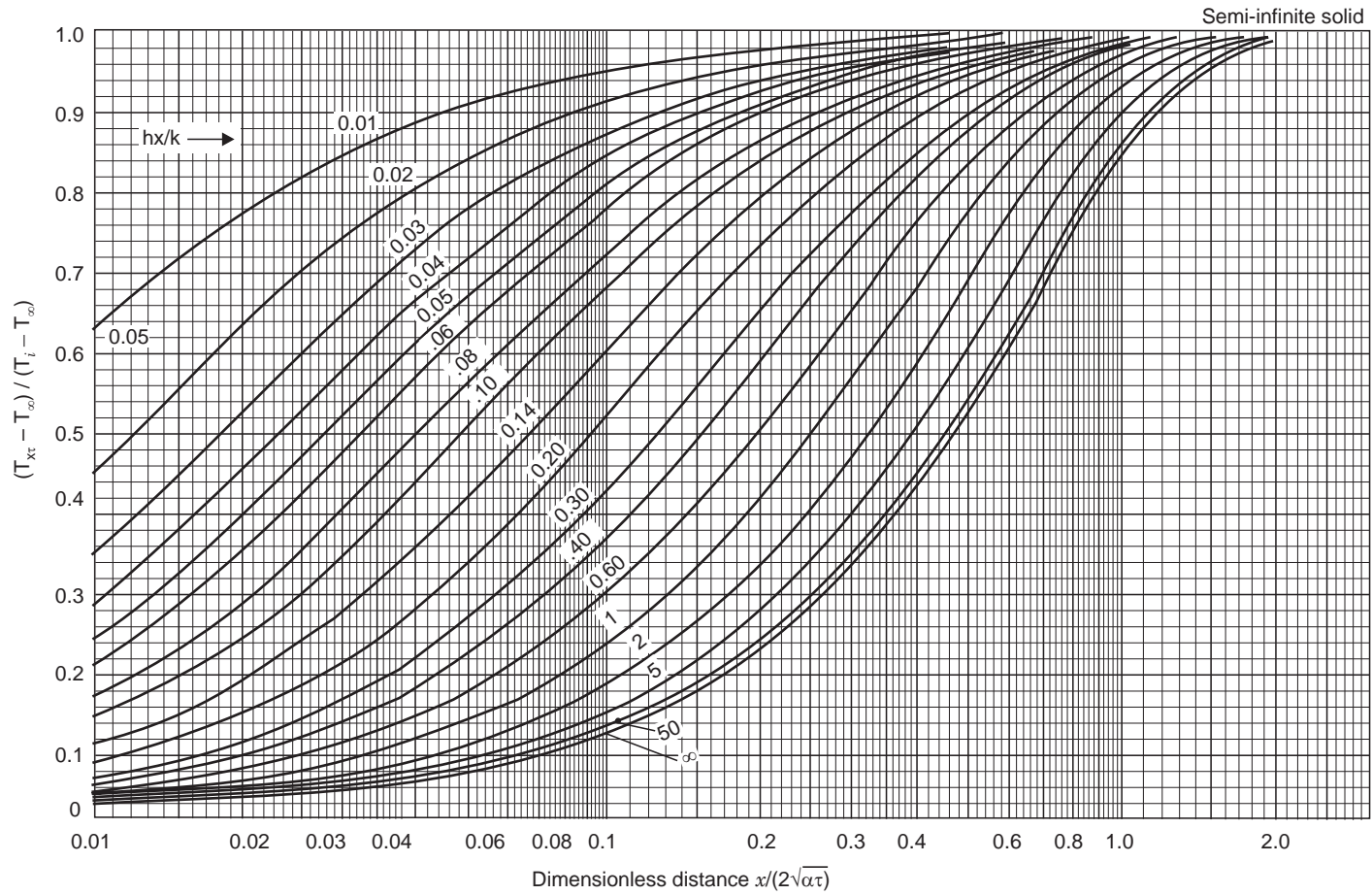


Fig. 6.6. Temperature variation with time – semi infinite solid-convection boundary.

Semi Infinite Solid—Temperature—Time History—Convection Boundary



$$\text{Also } \frac{T_{x,\tau} - T_\infty}{T_i - T_\infty} = \operatorname{erf} \frac{x}{2\sqrt{\alpha\tau}} + \exp \left[\frac{hx}{k} + \frac{h^2\alpha\tau}{k^2} \right] \left[1 - \operatorname{erf} \left(\frac{x}{2\sqrt{\alpha\tau}} + \frac{h\sqrt{\alpha\tau}}{k} \right) \right] \quad \dots(6.13(b))$$

As the equation is rather long charts are available to calculate the temperature ratio with parameters $x/2\sqrt{\alpha\tau}$, and hx/k . Such a chart is shown in the previous page. The heat flow can be found by obtaining $\partial T/\partial x$ at any section.

For surface temp. $T_{o,\tau}$ these equations can be simplified as

$$\frac{T_{o,\tau} - T_i}{T_\infty - T_i} = 1 - \left[1 - \operatorname{erf} \frac{h\sqrt{\alpha\tau}}{k} \right] \left[\exp \frac{h^2\alpha\tau}{k^2} \right] \quad \dots(6.13(c))$$

$$\frac{T_{o,\tau} - T_\infty}{T_i - T_\infty} = \exp \frac{h^2\alpha\tau}{k^2} \left[1 - \operatorname{erf} \frac{h\sqrt{\alpha\tau}}{k} \right] \quad \dots(6.13(d))$$

The temperature variation with time is shown schematically in Fig. 6.6.

Example 6.5: A concrete wall initially at 30°C is exposed to gases at 900°C with a convective heat transfer coefficient of $85 \text{ W/m}^2\text{K}$. The thermal diffusivity of the material is $4.92 \times 10^{-7} \text{ m}^2/\text{s}$. The thermal conductivity of the material is 1.28 W/mK . Determine the temperature of the surface and temperatures at 1 cm depth and also 5 cm depth after 1 hr. Also estimate the heat flow at the surface at the instant.

Solution: The temperature is determined using equation (6-13) at the surface $x = 0$.

$$\begin{aligned} \frac{T - T_i}{T_\infty - T_i} &= [1 - \operatorname{erf} 0] - \left[1 - \operatorname{erf} \left(0 + \frac{h\sqrt{\alpha\tau}}{k} \right) \right] \times \left[\exp \left(0 + \frac{h^2\alpha\tau}{k^2} \right) \right] \\ &= 1 - \left[1 - \operatorname{erf} \frac{85\sqrt{4.92 \times 10^{-7} \times 3600}}{1.28} \right] \left[\exp \left(\frac{85^2 \times 4.92 \times 10^{-7} \times 3600}{1.28^2} \right) \right] \\ &= 1 - [1 - 0.999924] [2466] = 1 - 0.1875 = 0.8125 \end{aligned}$$

$$\therefore \quad \mathbf{T = 737^\circ\text{C}}$$

Use of chart on page 210 will be more convenient than the use of equation (6.13).

The chart is plotted with

$$[(T_{x\tau} - T_\infty)/(T_i - T_\infty)] \text{ against } x/2\sqrt{\alpha\tau} \text{ with } (hx/k) \text{ as parameter.}$$

For 1 cm depth, after one hour or 3600 seconds

$$\frac{x}{2\sqrt{\alpha\tau}} = \frac{0.01}{2\sqrt{4.92 \times 10^{-7} \times 3600}} = 0.1188$$

$$\frac{hx}{k} = \frac{85 \times 0.01}{1.28} = 0.664$$

Entering the x axis at 0.1188 and reading against the value of $hx/k = 0.664$, the temperature ratio is obtained as 0.3.

$$\therefore \frac{T_{x\tau} - 900}{30 - 900} = 0.3, \text{ solving, } T_{x\tau} = \mathbf{639^\circ\text{C}}$$

By equation it is obtained as 638°C .

For **5 cm depth after one hour,**

$$\frac{x}{2\sqrt{\alpha\tau}} = \frac{0.05}{2\sqrt{4.92 \times 10^{-7} \times 3600}} = 0.594$$

$$\frac{hx}{k} = \frac{85 \times 0.05}{1.28} = 3.32$$

Entering at 0.594 and reading at $\frac{hx}{k} = 3.32$, the temperature ratio is obtained as 0.715.

$$\frac{T_{x\tau} - 900}{30 - 900} = 0.715. \text{ Solving } T_{x\tau} = \mathbf{278^\circ\text{C}}$$

By **equation** the value is $\mathbf{267^\circ\text{C}}$.

Heat flow is obtained assuming linear variation of temp. up to 0.01

$$\therefore \mathbf{Q} = \frac{737 - 639}{0.01} \times 1.28 \times 1 = \mathbf{12672 \text{ W/m}^2}$$

6.3.3. The third initial and boundary condition set for semi infinite solid is exposure to uniform heat flux, $q \text{ W/m}^2$

$$\tau = 0, T_{(x,0)} = T_i$$

$$-k \left. \frac{\partial T}{\partial x} \right|_{x=0} = q \quad \dots(6.14)$$

The solution for temperature distribution is given by

$$(T_{x,\tau} - T_i) = \frac{2q(\alpha\tau / \pi)^{1/2}}{k} \exp\left(\frac{-x^2}{4\alpha\tau}\right) - \frac{qx}{k} \left[1 - \operatorname{erf}\left(\frac{x}{2\sqrt{\alpha\tau}}\right) \right] \quad \dots(6.15)$$

An example for this is solar radiation being incident on a road surface or heating in a radiation furnace.

Example 6.6: Sunlight falls on a concrete wall starting from 10 am and the flux is 800 W/m^2 . The initial temperature was 30°C . Determine the surface temperature and the temperature at a depth of 5 cm at 12 noon. Thermal diffusivity = $4.92 \times 10^{-7} \text{ m}^2/\text{s}$ and conductivity = 1.28 W/mK .

Solution: At the surface $x = 0$, using equation 6.15.

$$(T_0 - T_i) = (T_0 - 30) = \frac{2 \times 800 (4.92 \times 10^{-7} \times 2 \times 3600 / \pi)^{1/2}}{1.28} \cdot \exp(0) - 0$$

$$= 42 \quad \therefore \mathbf{T_0 = 72^\circ\text{C} \text{ at surface}}$$

At $x = 0.05 \text{ m}$,

$$T - 30 = \frac{2 \times 800 (4.92 \times 10^{-7} \times 2 \times 3600 / \pi)^{1/2}}{1.28} \exp\left(\frac{-0.05^2}{4 \times 4.92 \times 10^{-7} \times 2 \times 3600}\right) - \frac{0.05 \times 800}{1.28} \left[1 - \operatorname{erf}\left(\frac{0.05}{2\sqrt{4.92 \times 10^{-7} \times 2 \times 3600}}\right) \right]$$

$$\begin{aligned}
 & - \frac{800 \times 0.05}{1.28} \left[1 - \operatorname{erf} \frac{0.05}{2\sqrt{4.92 \times 10^{-7} \times 2 \times 3600}} \right] \\
 & = 35.19 - \frac{800 \times 0.05}{1.28} [1 - 0.4475] = 35.19 - 17.26 = 17.92
 \end{aligned}$$

∴ $T = 47.92^\circ\text{C}$

The temperature variation in this case with time is shown schematically in Fig. 6.7.

The learner is often confused about when to use the semi infinite solid model. Generally when the thickness is large this can be tried. If the temperature penetrates to the other surface, then the infinite slab model is to be used (discussed later).

As the equations for the convection environment is long and calculations are tedious, recourse may be had to the use of charts which plot the temperature ratio in terms of the parameter $(x/2\sqrt{\alpha\tau})$ and either (hx/k) or $h^2 \alpha\tau/\kappa^2$.

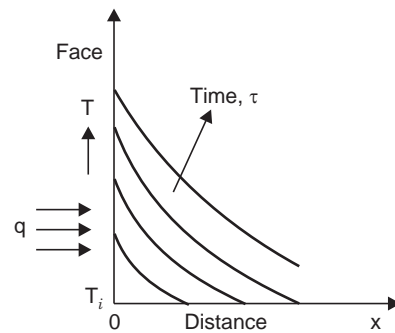


Fig. 6.7. Temperature variation in with heat flux.

6.4 PERIODIC HEAT CONDUCTION

There are occasions when the surrounding temperature varies periodically as in the case of an IC engine cylinder. In these cases it is necessary to know (i) the variation of temperature of the solid and (ii) the time lag between the variation in the surrounding and the variation in the solid. In the case of semi infinite solid it is also necessary to know upto what depth the variation will penetrate at steady state in addition to the study of these variations at different depths.

6.4.1. Lumped parameter system: In this case any temperature variation in the surroundings causes a temperature variation throughout the solid. The variation is shown in Fig. 6.8.

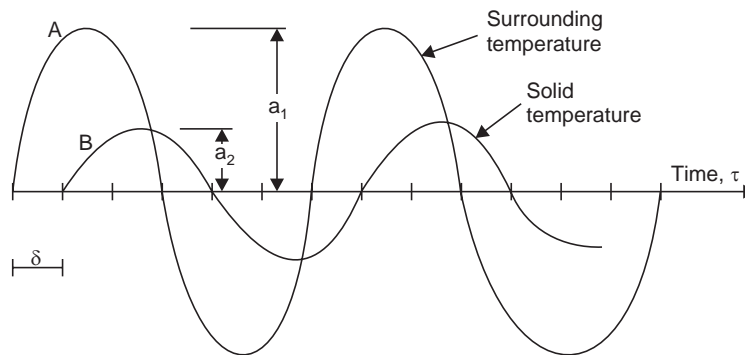


Fig. 6.8. Temperature variation with time.

The surrounding temperature varies with time as shown in curve A. The solid temperature will vary as shown in curve B. The two quantities of interest are (i) amplitude ratio a_2/a_1 , and (ii) δ in terms of degree or radian. For sinusoidal variations, the following relations held. The lag δ is given by, where τ_0 is the period per cycle in seconds

$$\delta = \tan^{-1} [(2\pi/\tau_0) \cdot (pcV/hA_s)] \quad \dots(6.16)$$

The amplitude ratio is given by

$$\frac{a_2}{a_1} = \frac{1}{\sqrt{1 + \tan^2 \delta}} \quad \dots(6.17)$$

Example 6.7: A resistance thermometer wire of 0.5 mm dia is used to measure the temperature varying at 2 cycles per second. The thermal conductivity of the material is 69 W/mK. The thermal diffusivity is $2.42 \times 10^{-5} \text{ m}^2/\text{s}$. The convective heat transfer coefficient is 280 W/m²K. Determine the temperature variation in the wire if the surrounding temperature varies between 1500°C and 500°C. Also find the time lag between these two.

Solution: Taking the value $\tau_0 = 1/2 = 0.5$ as there are two cycles/sec and pcV/hA_s is rearranged

as $\left(\frac{\rho c}{k} \frac{k}{h} \frac{V}{A_s}\right)$ and $V/A_s = \pi r^2 l / 2\pi r l = r/2 = 0.0005/4 \text{ m}$ and using equations (6.16), the lag angle is given by

$$\delta = \tan^{-1} \left[(2\pi/0.5) (1/2.42 \times 10^{-5}) \cdot \left(\frac{69}{200}\right) \cdot \left(\frac{0.0005}{4}\right) \right]$$

$\therefore \delta = 1.526 \text{ radians or } 87.44^\circ \text{ or in terms of time } 0.12 \text{ sec.}$

Amplitude ratio is found using equation (6.17)

$$\frac{a_2}{a_1} = \frac{1}{\sqrt{1 + \tan^2 \delta}} = \frac{1}{\sqrt{1 + 498}} = 0.045$$

The wire temperature will fluctuate by only 45°C. This shows that this measurement is of little use.

6.4.2. For semi infinite solid for sinusoidal surface temperature variation, the amplitude ratio at any depth x is given by

$$\frac{a_2}{a_1} = e^{-x\sqrt{\pi/\alpha\tau_0}} \quad \dots(6.18)$$

and the time lag is given by

$$\therefore \delta = \frac{1}{2} x \sqrt{\tau_0 / \alpha\pi} \quad \dots(6.19)$$

In this case the temperature variation will not reach the full depth. The depth of penetration (where the amplitude ratio becomes zero) is given by (after equilibrium is established)

$$x = 2\sqrt{\pi\alpha\tau_0} \quad \dots(6.20)$$

The derivations are involved but the results are usable.

Example 6.8: The surface temperature of the soil varies with 24 hr period, the minimum temperature being -40°C . Determine the minimum temperature at a depth of 0.2m and also the time of occurrence of the minimum temperature. Surface minimum occurs at 3 am. The thermal diffusivity of the material is $1.26 \times 10^{-6} \text{ m}^2/\text{s}$. The mean temperature is 0°C .

Solution: Using equation (6.18), and taking $x = 0.2$, $\tau_0 = 24 \times 3600 \text{ sec}$

$$\frac{\mathbf{a}_2}{\mathbf{a}_1} = e^{-x\sqrt{\pi/\alpha\tau_0}} = e^{-0.2\sqrt{\pi/1.26 \times 10^{-6} \times 24 \times 3600}} = \mathbf{0.3415}$$

\therefore The minimum temperature at this depth is -13.66°C .

Using equation (6.19) to find the time lag,

$$\begin{aligned} \therefore \delta &= \frac{1}{2} \sqrt{\tau_0 / \alpha\pi} x = \frac{1}{2} \sqrt{\left\{ \frac{24 \times 3600}{1.26 \times 10^{-6} \times \pi} \right\}} \times 0.2 = \mathbf{14774 \text{ s}} \\ &= \mathbf{4.1 \text{ hours}} \text{ (in terms of angle } \frac{4.1}{24} \times 360 = 61.6^{\circ}) \end{aligned}$$

This occurs at 7.1 am.

Using equation 6.20, the **depth of penetration** is found.

$$x = 2\sqrt{\pi\alpha\tau_0} = 2\sqrt{\pi \times 1.26 \times 10^{-6} \times 24 \times 3600} = \mathbf{1.17 \text{ m}}$$

The seasonal variation will be felt upto 1.17 m depth only.

6.5 TRANSIENT HEAT CONDUCTION IN LARGE SLAB OF LIMITED THICKNESS, LONG CYLINDERS AND SPHERES

This model is the one which has a large number of applications in heating and cooling processes a special case being heat treatment. The general solution process attempts to estimate the temperature at a specified location in a body (which was at a specified initial temperature) after exposure to a different temperature surroundings for a specified time. The other quantity of interest is the change in the internal energy of the body after such exposure.

6.5.1. The differential equation applicable for a slab extending to ∞ in the y and z directions and thickness $2L$ in the x direction with both surfaces suddenly exposed to the surroundings is equation (2.6)

$$\frac{\partial^2 T}{\partial x^2} = \frac{1}{\alpha} \frac{\partial T}{\partial \tau}$$

The situation for slab is shown in Fig. 6.9.

The initial condition at time zero is

$T = T_i$ all through the solid. i.e. $x = -L$ to $x = L$.

The boundary condition is

$$h(T_{\infty} - T_L) = -k \frac{\partial T}{\partial x} \text{ at } x = L \text{ and } x = -L$$

The equation is solved using a set of new variables X and θ defining $T = X.\theta$ (X is a function of x only and θ is a function of τ only). The algebra is long and tedious.

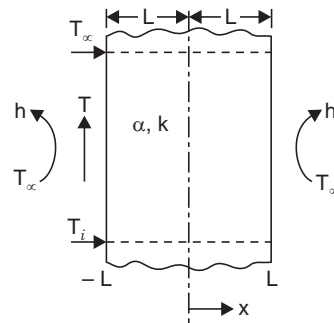


Fig. 6.9. Slab exposed to convective surroundings.

The solution obtained is given below :

$$\frac{T_{x,\tau} - T_{\infty}}{T_i - T_{\infty}} = \sum_{n=1}^{\infty} \frac{2Bi \sin(\delta_n) \cos(\delta_n x/L)}{\delta_n (Bi + \sin^2 \delta_n)} \cdot e^{-\delta_n^2 \cdot Fo} \quad \dots(6.21)$$

The temperature essentially is a function of Bi , Fo and $\frac{x}{L}$ or $T = f(Bi, Fo, \frac{x}{L})$

where $T_{x,\tau}$ —the temperature at x and time τ
 T_i —initial temperature
 T_{∞} —surrounding temperature

$Bi = \frac{hL}{k}$ —biot number

Fo —Fourier number $\alpha\tau/L^2$

δ_n —roots of the equation $\delta_n \tan \delta_n = Bi$

The solution using calculating devices is rather tedious and the results in a graphical form, was first published by Heisler in 1947, using the parameters Biot number and Fourier number. As there is an additional parameter (x/L) which cannot be represented in a single chart, the solution was split into two quantities. The first solution is for the centre temperature at $x = 0$. In the centre temperature chart $(T_{0\tau} - T_{\infty})/(T_i - T_{\infty})$ is plotted against Fourier number with hL/k as parameter. Then the location temperature and centre temperature excess ratio is obtained using the parameters Biot number and (x/L). In the location temperature chart $(T_{x\tau} - T_{\infty})/(T_{0\tau} - T_{\infty})$ is plotted against Biot number with x/L as parameter. The charts are shown in the next pages.

The product of these two temperature ratios gives the required location temperature ratio.

$$\frac{T_{x,\tau} - T_{\infty}}{T_i - T_{\infty}} = \frac{T_{0,\tau} - T_{\infty}}{T_i - T_{\infty}} \cdot \frac{T_{x,\tau} - T_{\infty}}{T_{0,\tau} - T_{\infty}} \quad \dots(6.22)$$

The suffix, $x\tau$ indicates at location x and time τ . The suffix, 0τ indicates at centre at time τ .

The centre temperature ratio $\frac{T_{0,\tau} - T_{\infty}}{T_i - T_{\infty}}$ is obtained from a chart the skeleton form of which is shown in Fig. 6.10.

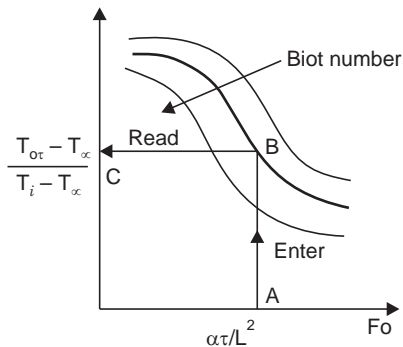


Fig. 6.10

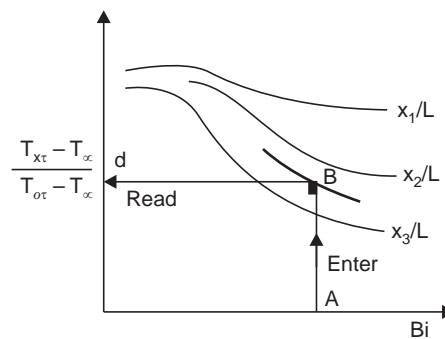
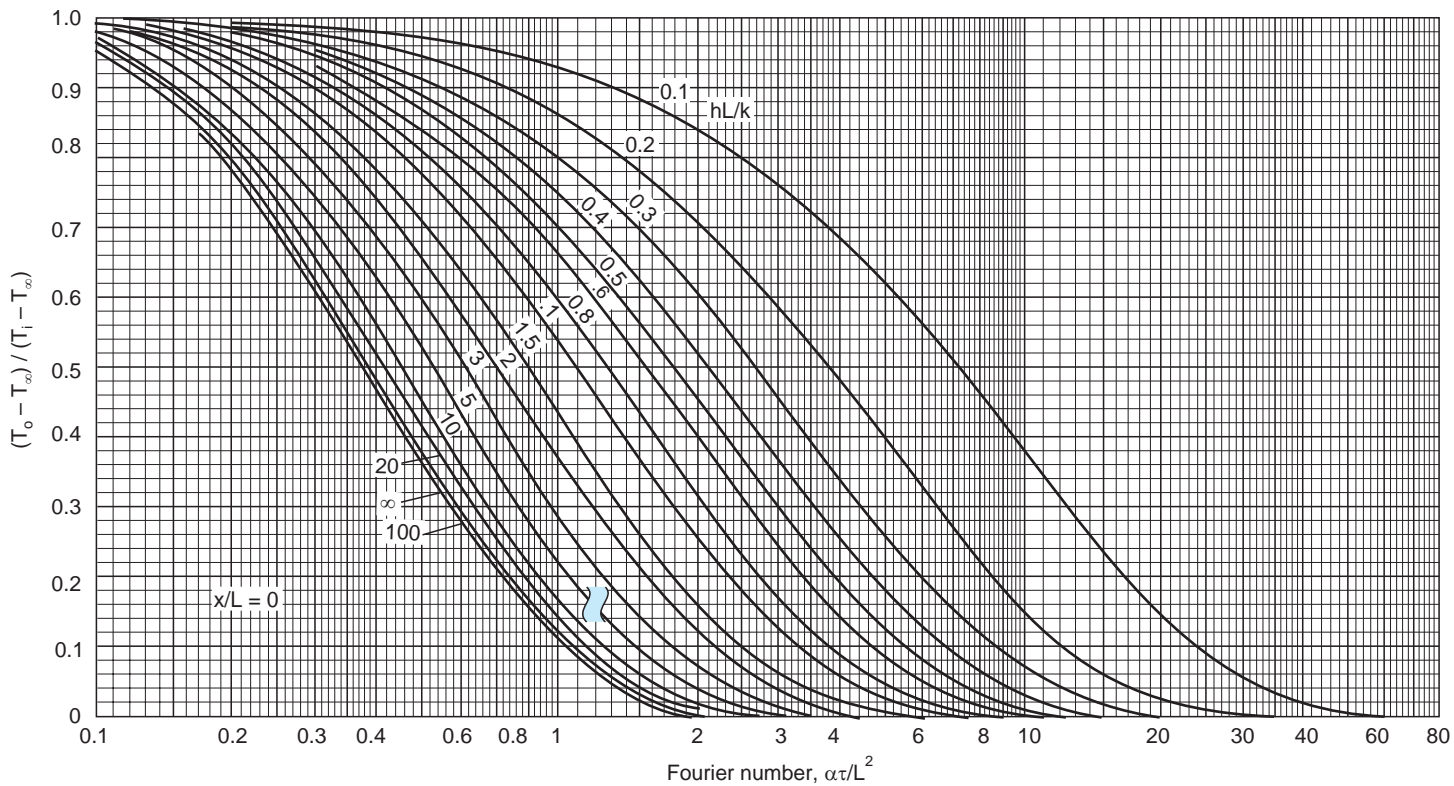
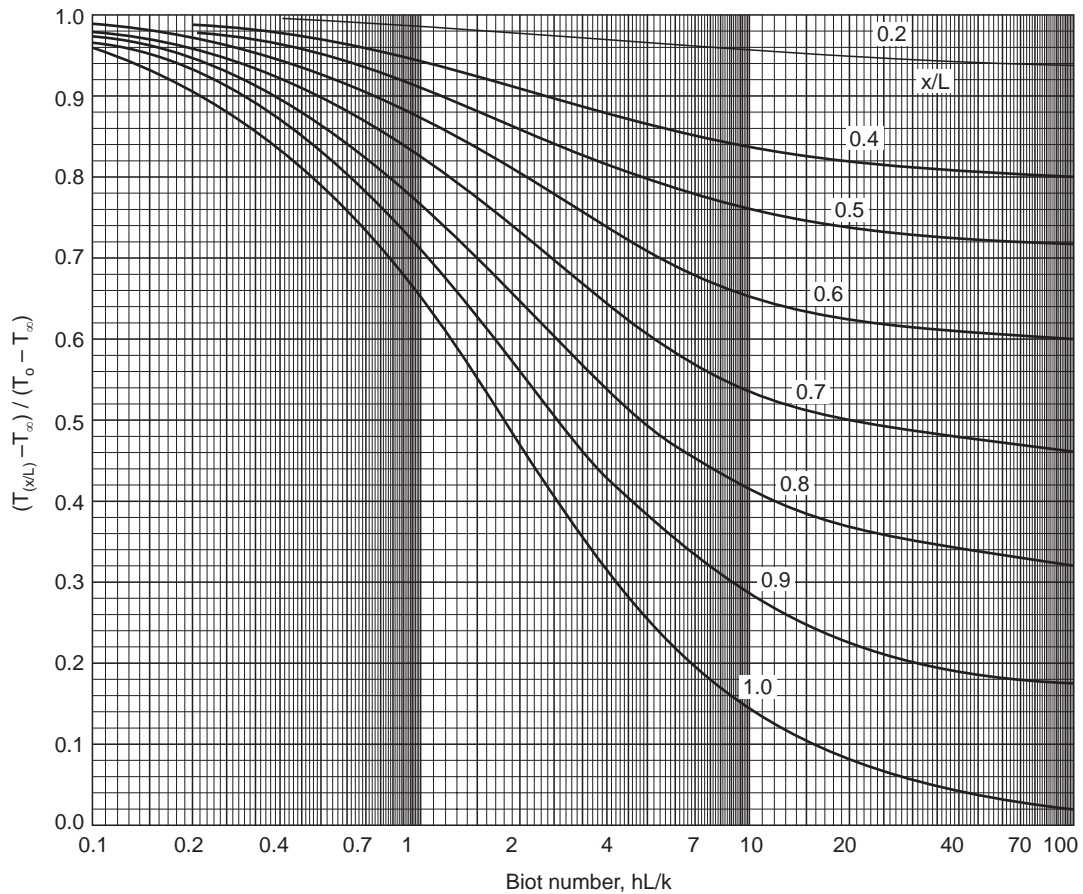


Fig. 6.11

Centre Temp. Chart—Infinite Plate—Temperature—Time History at Mid Plane



Location Temp. Chart Infinite Plate—Temperature—Time History at any Position

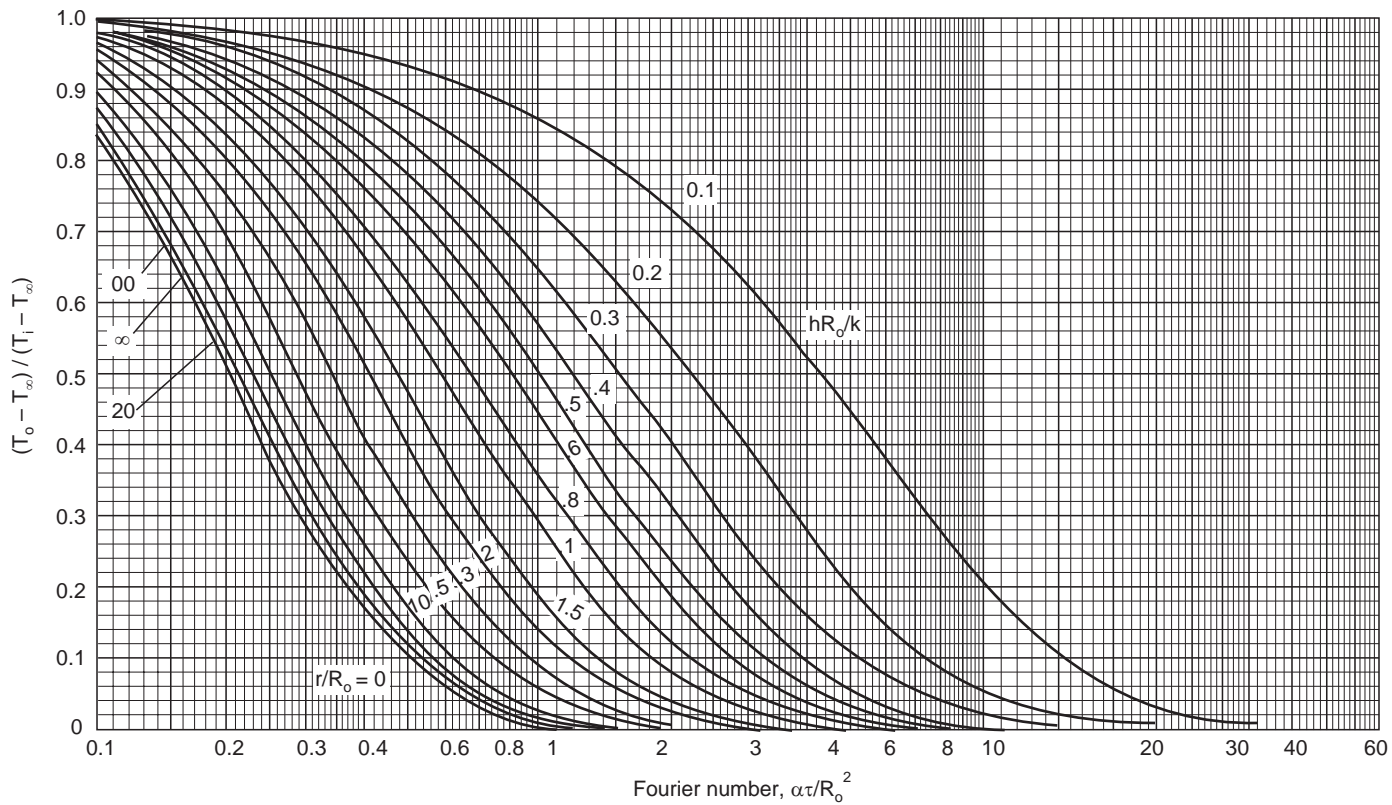


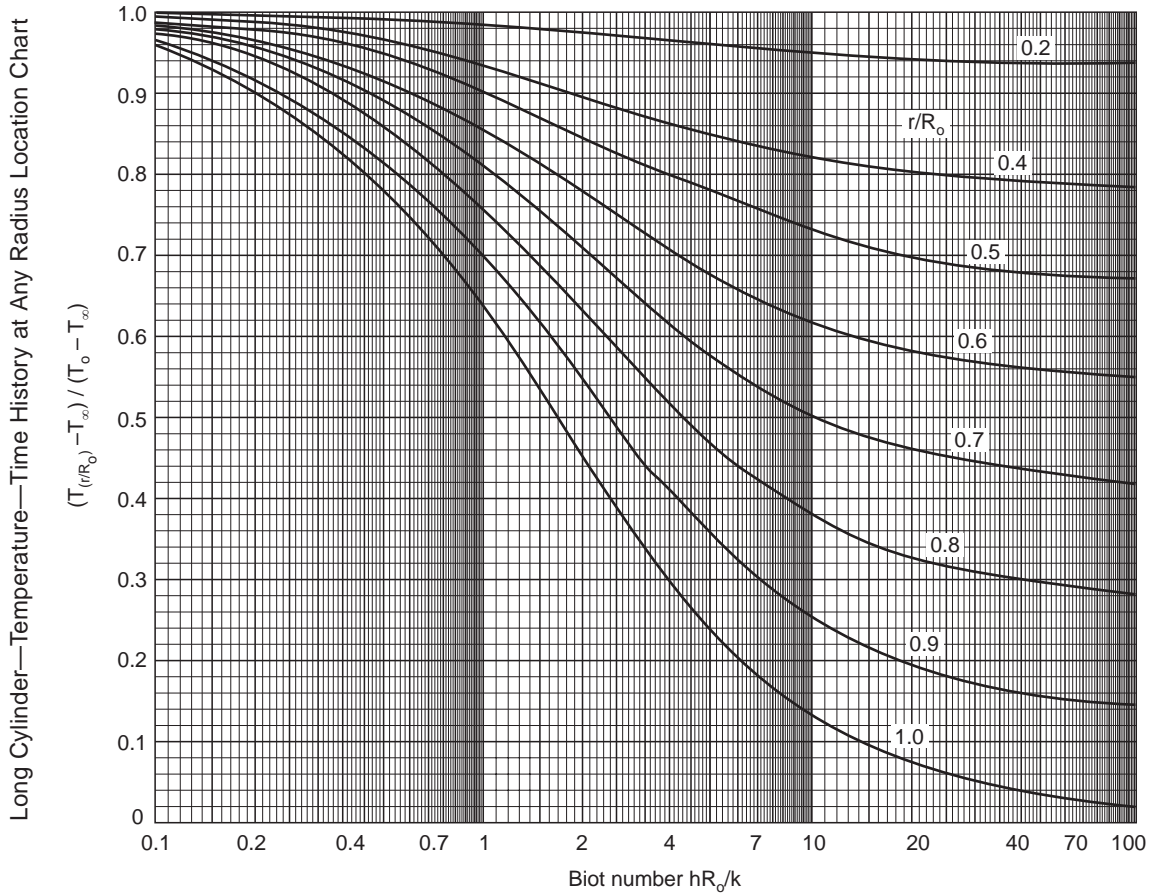
The procedure is as follows: For a given slab and time specification and specification of surroundings Fourier number and Biot numbers are calculated. The centre temperature chart is entered at A and the intersection with the Biot number curve (B) provides the centre temperature ratio (C). In case the temperature is known the procedure is just reversed and Fourier number is read to find the time. Note that there is curve for $Bi = \infty$, indication of h has a large value. This is equal to raising and maintaining surface temperature at T_{∞} .

The ratio $(T_{x,\tau} - T_{\infty}) / (T_{0,\tau} - T_{\infty})$ is obtained from chart of the form shown in Fig. 6.11, with x/L as parameter.

With Biot number and location parameter (x/L) known the chart is entered at A and the meeting point with the location curve (B) provides the excess temperature ratio (d).

Long Cylinder—Temperature—Time History at Centreline Centre Temperature Chart



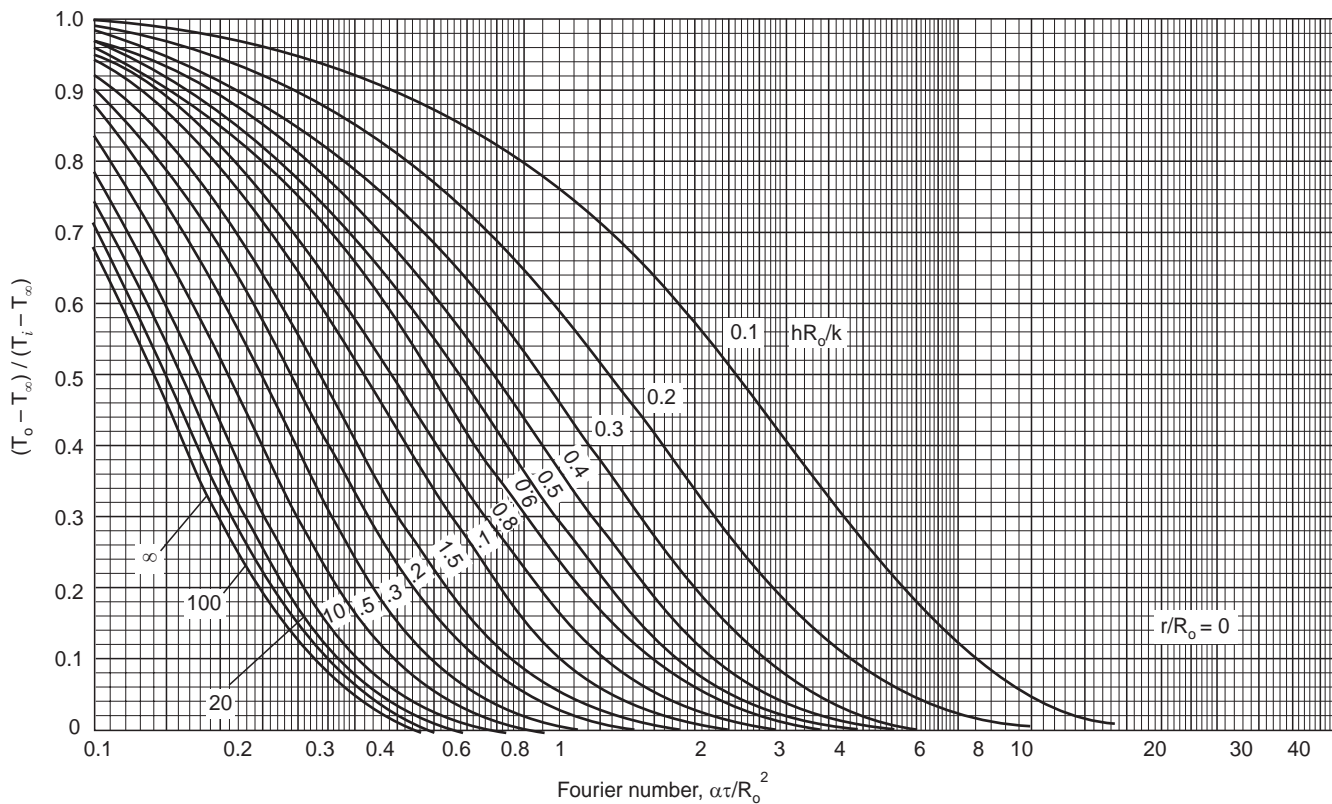


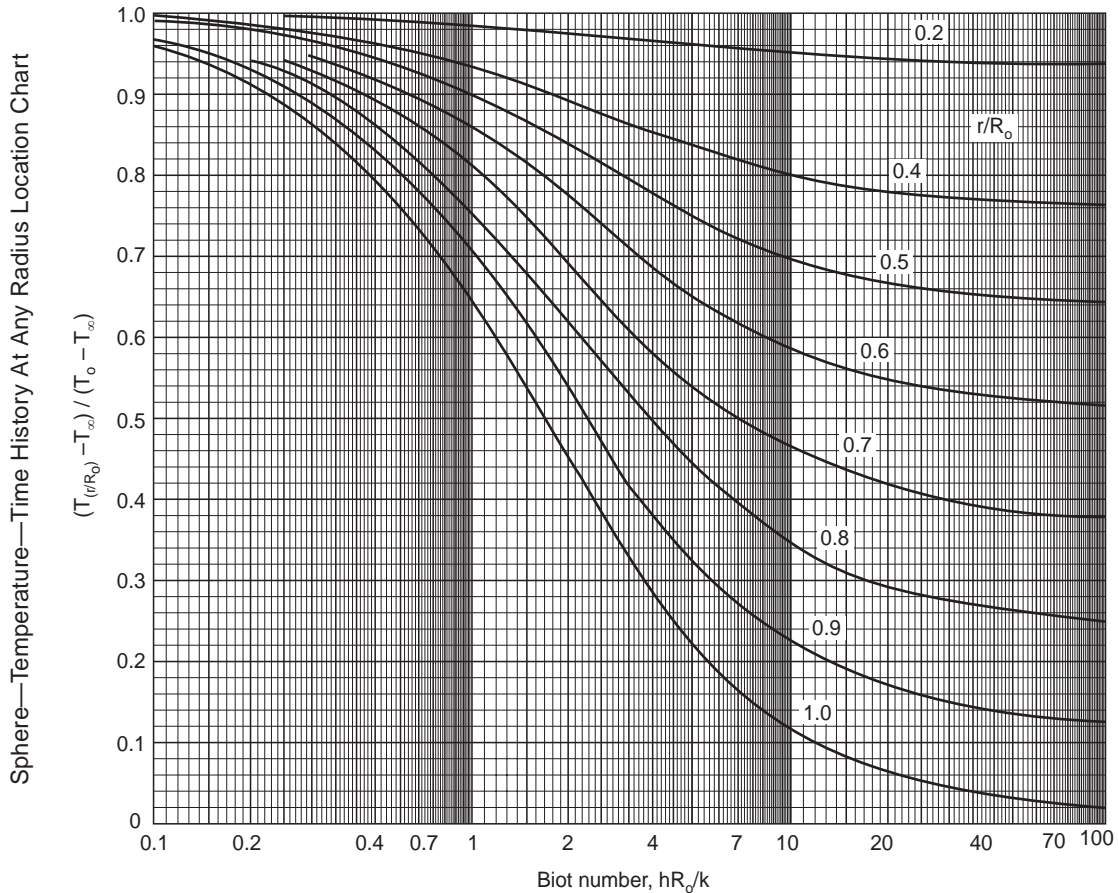
In case the temperature is known then the meeting point of line from d and line from A gives the location parameter. Now the product of these two ratios as in equation 6.22 will give the solution required. Chart solutions are available only for symmetric exposure. Exposure on one side can be solved by using it as a half slab of double side exposure.

6.5.2. For long cylinders and spheres suddenly exposed to a specified surroundings the solutions are similar and charts are available for these shapes also. The procedure is as shown in Fig. 6.10 and Fig. 6.11. The parameters will involve the radius in the place of thickness *i.e.*, $Bi = hR/k = \alpha \tau/R^2$, $x/L = r/R$.

These charts are shown on pages 219-222.

Sphere—Temperature—Time History at Centre Temperature Chart





6.5.3. Heat Transfer during a given time period: The total heat transfer can be obtained by using

$$Q = \int_0^{\tau} h(T_{L,\tau} - T_{\infty}) d\tau$$

and substituting for $T_{L,\tau}$ from equation (6.21). As the resulting expression indicates that it is a function of $h^2\alpha\tau/k^2$ and hL/k these solutions have been presented by Heisler as shown in the skeleton form in Fig. 6.12. as Q/Q_0 .

where Q -heat transferred over the given period, and

$$Q_0 = \rho cV(T_i - T_{\infty}) \quad \dots(6.23)$$

As the various parameters are specified the chart is entered at A after calculating $h^2\alpha\tau/k^2$. The meeting point with the Biot number curve at B provides the value of Q/Q_0 (C). The heat flow upto the specified time is the product of the value read and $\rho cV(T_i - T_{\infty})$. Separate charts are available for the shapes slab, long cylinder and sphere. These are given in page 223.

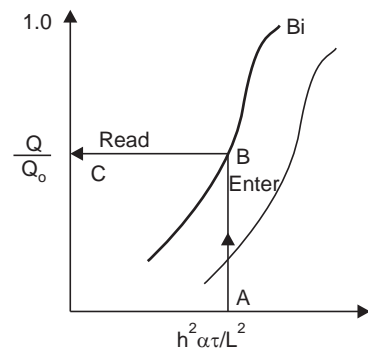


Fig. 6.12. Internal energy ratio.

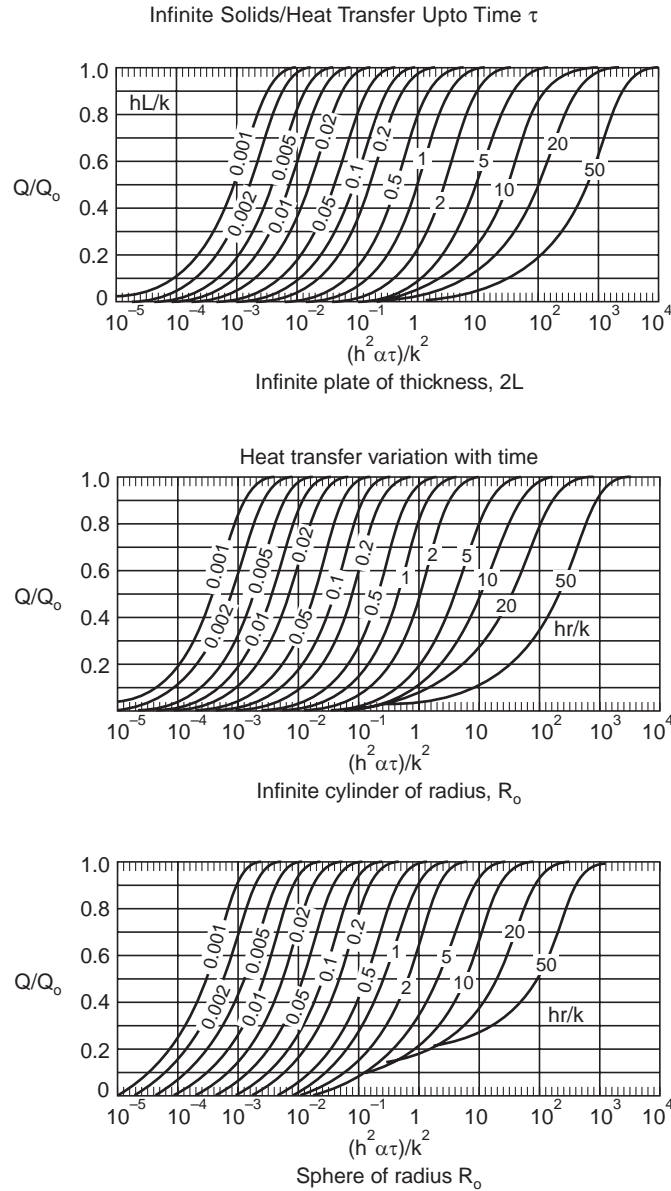


Fig. 6.12. Internal energy ratio.

Example 6.9: A slab of thickness 15 cm initially at 30°C is exposed on one side to gases at 600°C with a convective heat transfer coefficient of 65W/m²K. The other side is insulated. Using the following property values determine the temperatures at both surfaces and the centre plane after 20 minutes, density: 3550 kg/m³, sp. heat = 586 J/kgK, conductivity = 19.5 W/mK. Also calculate the heat flow upto the time into the solid.

Solution: The data is presented in Fig. 6.13(a). The slab model with the centre plane at zero and thickness 0.15 m is used. As inside is insulated this can be considered as half slab with $x = 0$ at insulated face.

The quantities Bi and Fo are calculated using

$$Bi = \frac{65 \times 0.15}{19.5} = 0.5,$$

$$Fo = \frac{19.5}{3550 \times 586} \times 20 \times 60 / 0.15 \times 0.15 = 0.5$$

The procedure of obtaining temperature is illustrated with skeleton charts in Fig. 6.13 (b) and (c). The centre temperature is obtained by entering the chart as shown in Fig. 6.13 (b). The excess temperature ratio at the centre is obtained as 0.864.

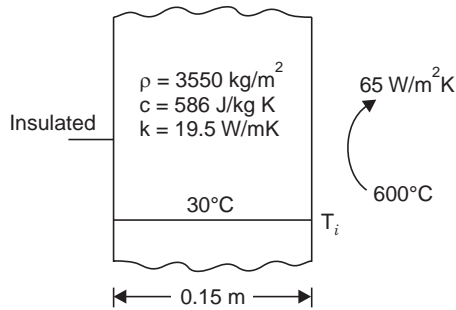


Fig. 6.13 (a) Model.

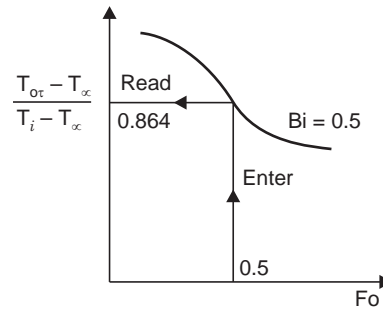


Fig. 6.13 (b)

$$\frac{T_{o,\tau} - T_{\infty}}{T_i - T_{\infty}} = 0.864, \text{ after } 20 \text{ minutes}$$

$$\frac{T_{o,\tau} - 600}{30 - 600} = 0.864 \quad \therefore T_{o,\tau} = 107.52^{\circ}\text{C}$$

To obtain the surface and mid plane temperatures, the location chart is entered at $Bi = 0.5$ as schematically shown in Fig. 6.13 (c) and the values at $x/L = 1$ and 0.5 are read as 0.792 and 0.948.

The surface temperature is given by

$$\frac{T_{L,\tau} - T_{\infty}}{T_i - T_{\infty}} = 0.792 \times 0.864$$

$$\frac{T_{L,\tau} - 600}{30 - 600} = 0.6843$$

\therefore Surface temperature $T_L = 210^{\circ}\text{C}$

The mid plane temperature:

$$\frac{T_{x,\tau} - 600}{30 - 600} = 0.864 \times 0.948$$

$\therefore T = 133.13^{\circ}\text{C}$

The heat flow is determined using the heat flow chart as shown schematically in Fig. 6.13(d). First the parameter is calculated:

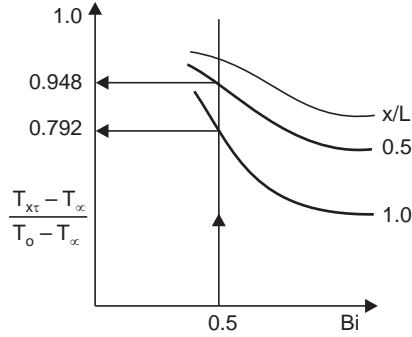


Fig. 6.13 (c)

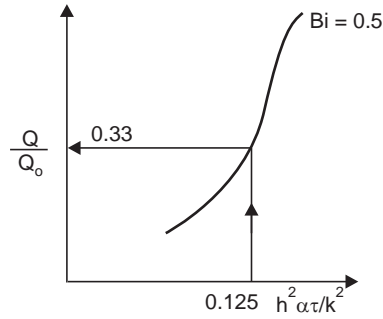


Fig. 6.13 (d)

$$\frac{h^2 \alpha \tau}{k^2} = \frac{65 \times 65 \times 19.5 \times 20 \times 60}{3550 \times 568 \times 19.5^2} = 0.125$$

Entering the chart at this point and finding the meeting of point with $Bi = 0.5$, the ratio Q/Q_o is read as 0.33.

$$\begin{aligned} \therefore Q &= 0.33 \times 3350 \times 586 \times 0.15 \times 1(600 - 30) \\ &= 55.39 \times 10^6 \text{ J/m}^2 \end{aligned}$$

A rough check can be made by using an average temperature increase and finding the change in internal energy. The average temperature rise is $(107.52 + 210 + 133.13)/3 - 30 = 120.22^\circ\text{C}$.

$$Q = 3350 \times 0.15 \times 586 \times 120.22 = 37.51 \times 10^6$$

This is of the same order of magnitude and hence checks.

Example 6.10: A long cylinder of radius 15 cm initially at 30°C is exposed over the surface to gases at 600°C with a convective heat transfer coefficient of $65 \text{ W/m}^2\text{K}$. Using the following property values determine the temperatures at the centre, mid radius and outside surface after 20 minutes. Density = 3550 kg/m^3 , sp. heat = 586 J/kg K , conductivity = 19.5 W/mK . Also calculate the heat flow.

Solution: The procedure is described in articles 6.1.2 and 6.1.3.

$$Bi = \frac{hR}{k} = \frac{65 \times 0.15}{19.5} = 0.5, Fo = \frac{\alpha \tau}{R^2} = \frac{19.5}{3550 \times 586} \times \frac{20 \times 60}{0.15 \times 0.15} = 0.5$$

Entering the chart for centre temperature as schematically shown in Fig. 6.14 (a) the temperature ratio is read as 0.72.

\therefore Centre temperature is found using

$$\frac{T_{o,\tau} - 600}{30 - 600} = 0.72$$

$$\therefore T_{o,\tau} = 189.6^\circ\text{C}$$

To calculate the temperatures at the surface and mid radius, the location chart as schematically shown in Fig. 6.14 (b) is entered at $Bi = 0.5$ and values are read at $r/R = 1$ and 0.5 , as 0.78 and 0.92 .

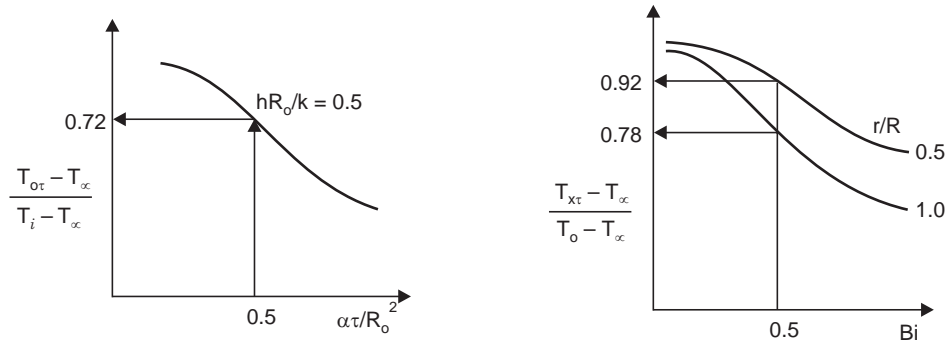


Fig. 6.14 (a, b)

\therefore **Surface temperature** is obtained using

$$\begin{aligned} \frac{T_{R,\tau} - T_{\infty}}{T_i - T_{\infty}} &= \frac{T_{R,\tau} - 600}{30 - 600} \\ &= 0.72 \times 0.78 \end{aligned}$$

\therefore **$T_{R,\tau} = 279.9^{\circ}\text{C}$**

Mid radius temperature is obtained using

$$\frac{T_{r,\tau} - T_{\infty}}{T_i - T_{\infty}} = 0.72 \times 0.92$$

\therefore **$T_{r,\tau} = 222.4^{\circ}\text{C}$**

Heat flow: Calculating the value of $h^2\alpha\tau/k^2$, as schematically shown the heat flow chart is entered at this value 0.125 and the meeting point with $Bi = 0.5$ is read of as Q/Q_o is equal to 0.54 (Fig. 6.14 (c))

$$h^2\alpha\tau/k^2 = \frac{65 \times 65 \times 19.5}{3350 \times 586} \times \frac{30 \times 60}{19.5 \times 19.5} = 0.125$$

\therefore **$Q = \pi \times 0.15^2 \times 1 \times 3550 \times 586 \times (600 - 30) \times 0.54$**
 $= 45.26 \times 10^6 \text{ J/m length}$

Note that the cylinder of equal dimension gets heated up quicker due to larger surface area for a given volume.

Example 6.11: Use the data in example 6.10 for a sphere of radius 0.15 m . Determine the centre, surface and mid radius temperatures and also the heat flow after 20 minutes.

Solution: The values of Bi , Fo , $h_2\alpha\tau/k^2$ are read from the example 6.8 as 0.5 , 0.5 and 0.125 .

The centre excess temperature chart is entered at $Fo = 0.5$ and read at $Bi = 0.5$ (ref. figures in example 6.10) and the value is 0.58 . Also the location charts are entered at $Bi = 0.5$ for $r/R = 1$ and 0.5 and the temperature ratios are read as 0.782 and 0.942 .

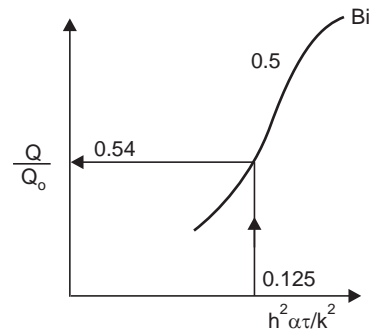


Fig. 6.14 (c)

Centre temperature:

$$\frac{T - 600}{30 - 600} = 0.58 \quad \therefore T_{\text{mid}} = 269.4^\circ\text{C}$$

Surface temperature:

$$\frac{T - 600}{30 - 600} = 0.58 \times 0.782 \quad \therefore T_{\text{sur}} = 341.5^\circ\text{C}$$

Mid radius temperature:

$$\frac{T - 600}{30 - 600} = 0.58 \times 0.942 \quad \therefore T = 288.6^\circ\text{C}$$

Q/Q_o is obtained from the chart as 0.73

$$\therefore Q = 0.73 \times \frac{4}{3} \times \pi \times 0.15^3 \times 3550 \times 586 (600 - 30) = 12.24 \times 10^6 \text{ J}$$

Note: It can be seen that the sphere heats up quicker compared to the other two geometries.

Example 6.12: In the case of the sphere in example 6.11, determine the time when the centre temperature will reach 372°C .

Solution: Direct solution is possible only for specified centre temperature. For temperature specifications at other locations, a trial solution is needed.

$Bi = 0.5$, Temperature ratio is

$$\frac{372 - 600}{30 - 600} = \frac{228}{570} = 0.4$$

Entering the centre temperature chart for sphere as shown schematically at 0.4 and noting the cut off for $Bi = 0.5$, Fo is read as 0.77 (Fig. 6.15)

$$\therefore \frac{19.5}{3550 \times 586} \times \frac{\tau}{0.15^2} = 0.77$$

$$\therefore \tau = 1848.27 \text{ sec or } 30.8 \text{ min.}$$

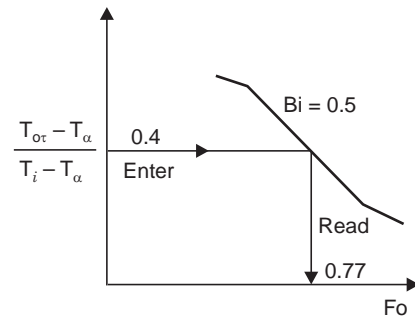


Fig. 6.15

6.6. PRODUCT SOLUTION

Most of the practical cases involve shapes of specified sizes and infinite slab or long cylinder solution cannot be used directly. In the case of a short cylinder, in addition to the curved surface the flat surfaces are also exposed to the surroundings and hence the cooling or heating will be faster. Such cases can be treated as a combination of two solids and temperature ratio is obtained as the product of temperature ratios obtained considering it as part of each of these solids. In the case of a short cylinder the situation is shown in Fig. 6.16.

For exposures at base and top the short cylinder is taken as part of slab of $2L =$ height of cylinder and the temperature ratio at any axial distance is determined as described earlier.

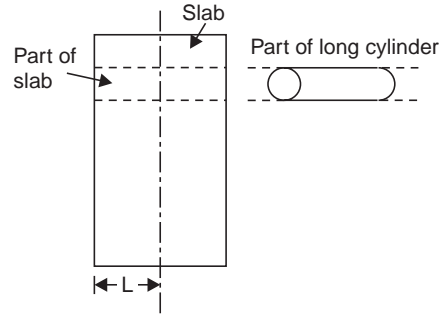


Fig. 6.16

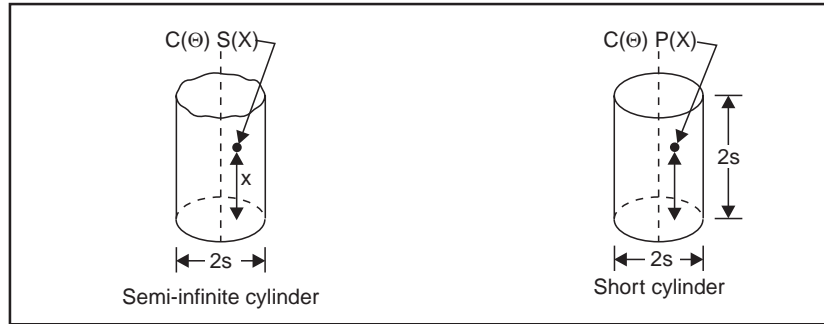
For the exposure of the curved surface the short cylinder is treated as part of a long cylinder and the temperature ratio at any radial position is calculated as described earlier.

The temperature ratio at the given point is the product of these two ratios determined. The heat flow also can be calculated as a combination of individual heat flow. Some of the possible combinations and the equations are shown in table 6.1. A brick like object is taken as a combination of three slabs. A long rectangular prism is taken as a combination of two slabs and a semi-infinite solid. A hemisphere is taken as a combination of sphere and slab. Semi-infinite solid solution is also usable in such combinations.

Table. 6.1. Product solutions for temperatures in multidimensional systems

<p>$P(X)S(X_1)$</p> <p>Semi-infinite plate</p>	<p>$P(X_1) P(X_2)$</p> <p>Infinite rectangular bar</p>
<p>$S(X) P(X_1) P(X_2)$</p> <p>Semi-infinite rectangular bar</p>	<p>$P(X_1) P(X_2) P(X_3)$</p> <p>Rectangular parallelepiped</p>

(Contd...)



P(X) Solution for infinite plate
S(X) Solution for semi-infinite bodies
C(theta) Solution for infinite cylinder
Intersection of two bodies:

$$\left(\frac{Q}{Q_0}\right)_{\text{Total}} = \left(\frac{Q}{Q_0}\right)_1 + \left(\frac{Q}{Q_0}\right)_2 \left[1 - \left(\frac{Q}{Q_0}\right)_1\right]$$

Intersection of three one dimensional systems:

$$\left(\frac{Q}{Q_0}\right)_{\text{Total}} = \left(\frac{Q}{Q_0}\right)_1 + \left(\frac{Q}{Q_0}\right)_2 \left[1 - \left(\frac{Q}{Q_0}\right)_1\right] + \left(\frac{Q}{Q_0}\right)_3 \left[1 - \left(\frac{Q}{Q_0}\right)_1\right] \left[1 - \left(\frac{Q}{Q_0}\right)_2\right]$$

Example 6.13: A cylinder of radius 0.15 m and height 0.30 m having properties as in examples 6.9 and 6.10 initially at 30°C is exposed to gases at 600°C with a convective heat transfer coefficient of 65 W/m²K. Determine the temperatures after 20 minutes at locations 1 to 9 shown in Fig. 6.17. This problem can be solved using the solutions of examples 6.9 and 6.10. Using these solutions, the temperature ratios at various locations are tabulated below:

	Mid plane axis	Half thickness mid radius	Surface
Slab	0.864	0.864 × 0.948	0.864 × 0.792
Cylinder	0.72	0.72 × 0.92	0.72 × 0.78

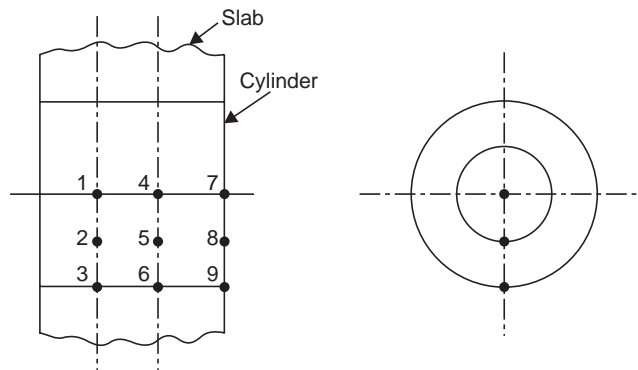


Fig. 6.17

Solution: The temperatures at the various locations from 1 to 9 are found as below:

Point 1: Axis of cylinder and mid plane of slab

$$\therefore \frac{T_1 - T_\infty}{T_i - T_\infty} = \frac{T_1 - 600}{30 - 300} = 0.72 \times 0.864 \quad \therefore T_1 = 245.4^\circ\text{C}$$

Point 2: Mid radius of cylinder and mid plane of slab

$$\frac{T_2 - T_\infty}{T_i - T_\infty} = \frac{T_2 - 600}{30 - 600} = 0.72 \times 0.92 \times 0.864 \quad \therefore T_2 = 273.8^\circ\text{C}$$

Point 3: Surface of cylinder and mid plane of slab

$$\frac{T_3 - 600}{30 - 600} = 0.72 \times 0.78 \times 0.864 \quad \therefore T_3 = 323.4^\circ\text{C}$$

Point 4: Axis of cylinder and half thickness of slab

$$\therefore \frac{T_4 - 600}{30 - 600} = 0.72 \times 0.864 \times 0.948 \quad \therefore T_4 = 263.9^\circ\text{C}$$

Point 5: Mid radius of cylinder and half thickness of slab

$$\frac{T_5 - 600}{30 - 600} = 0.72 \times 0.92 \times 0.864 \times 0.948 \quad \therefore T_5 = 290.7^\circ\text{C}$$

Point 6: Surface of cylinder and half thickness of slab

$$\frac{T_6 - 600}{30 - 600} = 0.72 \times 0.78 \times 0.864 \times 0.948 \quad \therefore T_6 = 337.8^\circ\text{C}$$

Point 7: Axis of cylinder and surface of slab

$$\therefore \frac{T_7 - 600}{30 - 600} = 0.72 \times 0.864 \times 0.792 \quad \therefore T_7 = 319.2^\circ\text{C}$$

Point 8: Mid radius of cylinder and surface of slab

$$\therefore \frac{T_8 - 600}{30 - 600} = 0.72 \times 0.92 \times 0.864 \times 0.792 \quad \therefore T_8 = 341.6^\circ\text{C}$$

Point 9: Surface of cylinder and surface of slab

$$\frac{T_9 - 600}{30 - 600} = 0.72 \times 0.78 \times 0.864 \times 0.792 \quad \therefore T_9 = 381^\circ\text{C}$$

Note: It can be seen that the temperature is highest at the edge. Why?

6.7 NUMERICAL METHOD

Using energy conservation principle, and dividing the solid into several layers, expressions can be obtained for the increase in temperature during any given period at any location subjected to transient conditions. The method is illustrated using a plane wall as shown in Fig. 6.18.

Considering the planes numbered $n - 1$, n , $n + 1$ at distances Δx and using a double subscript notation for temperature as T_n^p to indicate the temperature at plane n at time interval p each time interval being $\Delta \tau$ the energy balance for a layer of Δx thickness at plane n can be

written as net **heat energy conducted into the layer during a time period** = **energy stored in the layer** = **heat capacity** × **temperature increase during the time period**

$$\text{or } \frac{kA(T_{n-1}^p - T_n^p)}{\Delta x} + \frac{kA(T_{n+1}^p - T_n^p)}{\Delta x} = \rho c A \Delta x (T_n^{p+1} - T_n^p)$$

$$\text{or } T_{n-1}^p + T_{n+1}^p - 2T_n^p = \frac{\Delta x^2}{\alpha \Delta \tau} (T_n^{p+1} - T_n^p)$$

$$\text{denoting } \frac{\Delta x^2}{\alpha \Delta \tau} = M \quad \dots(6.24)$$

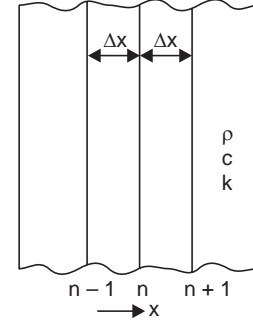


Fig. 6.18. Mode representation.

$$\frac{1}{M} [T_{n-1}^p + T_{n+1}^p - (2 - M) T_n^p] = T_n^{p+1} \quad \dots(6.25)$$

This equation is the basis for numerical method of temperature estimation under transient conditions in a slab. In the use of the method it is found that Δx and Δτ should be chosen in such a way that M > 2. Otherwise the solution does not converge.

A special case is when the values of Δx, Δτ are chosen for a given material with property values specified, such that M = 2. In this case

$$T_n^{p+1} = \frac{1}{2} (T_{n-1}^p + T_{n+1}^p) \quad \dots(6.26)$$

The present nodal temperature is equal to the average of the temperatures at the adjacent nodes during the previous time interval. Later this will be used in graphical method. In this case if time interval Δτ is chosen for a given material the distance interval Δx is automatically specified. Though this may appear as a restriction, it is convenient for both graphical method and for calculator solutions. An advantage of the numerical method is that any initial temperature distribution can be dealt with. Shapes like cylinder, sphere or even odd shapes can be analysed, except that in these case the area, volumes etc. will vary with the nodal plane and so each coefficient has to be determined specifically.

Example 6.14: A semi infinite slab with a thermal diffusivity of $1.67 \times 10^{-6} \text{ m}^2/\text{s}$ initially at 100°C has its surface suddenly raised to 200°C and maintained at the level. Taking a time interval of 120 seconds and nodal thickness of 2 cm, write down the nodal equation and solve for the temperatures at the nodes upto 6 time intervals.

Solution: M is determined in the equation (6.25) using equation (6.24).

$$M = \frac{\Delta x^2}{\alpha \Delta \tau} = \frac{0.02^2}{1.67 \times 10^{-6} \times 120} = 2$$

This is convenient for the solution of the problem. Equation 6.26 results if M = 2

$$\therefore T_n^{p+1} = (T_{n-1}^p + T_{n+1}^p)/2$$

The calculation is done in the tabulation below.

The present nodal temperature is the average of the previous nodal temperatures at the adjacent nodes.

At node zero the temperature is maintained at 200°C and at any location, it can be verified that the temperature is the mean of the adjacent nodal temperatures at the previous period. For example take node 2 time interval 2. The temperature is $125 = (150 + 100)/2$.

Node No. Time interval	0	1	2	3	4	5	6	7	8
0	200	100	100	100	100	100	100	100	100
1	200	150	100	100	100	100	100	100	100
2	200	150	125	100	100	100	100	100	100
3	200	162.5	125	112.5	100	100	100	100	100
4	200	162.5	137.5	112.5	106.25	100	100	100	100
5	200	168.75	137.5	121.875	106.25	103.175	100	100	100
6	200	168.75	145.19	121.875	112.5	103.175	101.56	100	100

This can be plotted for better visualisation.

6.7.1. Heat generation can be also accommodated. For example if heat generation is present, equation 2.25 becomes (q – heat generation rate W/m^3)

$$\frac{1}{M} \left[T_{n-1}^p + T_{n+1}^p - (2 - M) T_n^p + \frac{q \Delta x^2}{k} \right] = T_n^{p+1} \quad \dots(6.27)$$

and if $\Delta \tau$ and Δx are chosen such that $M = 2$

$$\frac{1}{2} \left[T_{n-1}^p + T_{n+1}^p + \frac{q \Delta x^2}{k} \right] = T_n^{p+1} \quad \dots(6.28)$$

Example 6.15: In the example 6.14 other things remaining the same if the heat generation is $1.25 \times 10^6 \text{ W/m}^3$ and conductivity is 50 W/mK , determine the nodal temperatures upto 6 or 7 times intervals.

Solution: The equation to be used is 6.28

$$\frac{q \Delta x^2}{k} = \frac{1.25 \times 10^6 \times 0.02^2}{50} = 10$$

So the present nodal temperature is the average of the adjacent nodes at the end of previous time interval plus $10/2$ °C. The values are tabulated using

$$T_n^{p+1} = \frac{1}{2} [T_{n-1}^p + T_{n+1}^p + 10]$$

For example node 3 and time interval 3, $T_{3,3} = \frac{135 + 110 + 10}{2} = 127.5$.

Nodal temperatures

Node No Time	0 Surface	1	2	3	4	5	6	7	8	9
0	200	100	100	100	100	100	100	100	100	100
1	200	155	105	105	105	105	105	105	105	105
2	200	157.5	135	110	110	110	110	110	110	110
3	200	172.5	138.75	127.5	115	115	115	115	115	115
4	200	174.4	155	131.9	126.3	120	120	120	120	120
5	200	182.5	158.1	145.6	130.9	128.1	125	125	125	125
6	200	184	169	149.5	141.9	133	131.6	130	130	130

A plot will be very graphic in bringing out the result-try it.

6.7.2. In the case of convection boundary, the nodal equation for the zeroth node or the surface will be different. For all other nodes equations 6.25, 6.26 and 6.28 will apply as per the conditions specified. For the zeroth or surface node with

$$M > (2 + h \Delta x/2)$$

$$T_0^{p+1} = \frac{2}{M} \left[\frac{h\Delta x}{k} T_\infty + T_1^p + T_0^p (M - 1) \right] \quad \dots(6.29)$$

This equation can be used to solve for the nodal temperatures, but this does not converge and so $\Delta x^2/\alpha \Delta x$ should be taken to have values higher than $2 + 2 [(h \Delta x)/k]$.

6.8 GRAPHICAL METHOD

Graphical method can be adopted for both semi-infinite and infinite slabs (without heat generation) using the equation 6.26. If the nodal temperatures at any time is known, then choose Δx and so that $\Delta x^2/\alpha \Delta \tau = 2$. Referring to Fig. 6.19, if the nodal temperatures at $n-1$ and $n + 1$ nodes at the previous time are (to scale) marked as T_{n-1}^p and T_{n+1}^p at the present time the temperature at the n^{th} node is obtained by joining the two temperatures and taking the point on the n^{th} nodal plane.

The full picture can be obtained by continuing the process. Convection boundary can also be taken care of by adding a layer of thickness

$$\Delta x = \frac{k}{h} \text{ m.}$$

This layer should be used as such with the single node at its surface with $T = T_\infty$.

Example 6.16: Work out the example 6.12 by the graphical method. The nodes are laid as in Fig. 6.20. The first line is from A to x_2 which fixes

$$T_1^1 = (T_0^0 + T_2^0)/2.$$

Next T_1^1 is joined with x_3 giving $T_2^2 = (T_1^1 + T_3^1)/2$

Now joining T_2^2 to A we get $T_1^3 = (T_0^2 + T_2^2)/2$. This is continued as in figure.

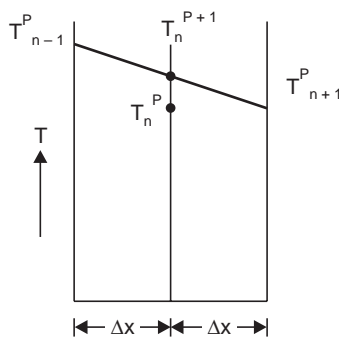


Fig. 6.19.

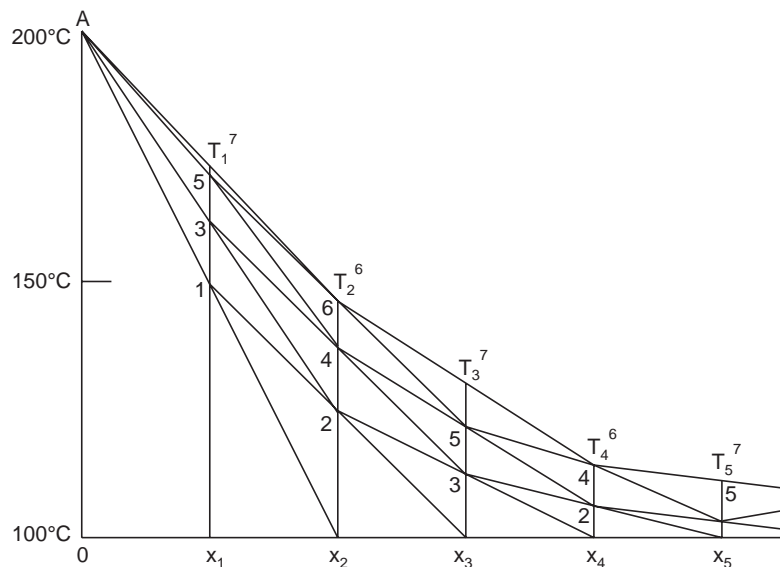


Fig. 6.20.

Solution: It may be noted that at node 1 or odd numbered nodes temperatures at 1, 3, 5, 7 *i.e.*, odd time interval ends will be obtained. At the even numbered nodes, temperatures at even number time intervals will be obtained. Interpolation will provide the temperature at the end of any interval at all nodes.

This ingenious idea of Schmidt can be very easily executed by simple computer programme.

SOLVED PROBLEMS

Lumped Parameter System (6–1 to 6–15)

Problem 6.1: A diecast component has a mass of 1.2 kg and density 7150 kg/m³ with surface area of 0.075 m². The thermal conductivity of the material is 95 W/mK and the specific heat is 385 J/kg K. It comes out of the machine at 345°C and is exposed to air at 20°C with a convective heat transfer coefficient of 56.8 W/m²K. Determine (i) The temperature of the part after 5 minutes (ii) The time required to reach 50°C (iii) The time constant (iv) The value of convective heat transfer coefficient upto which the lumped parameter model can be used (v) The volumelarea ratio upto which the lumped parameter model can be used.

Solution: First a check has to be made to ascertain whether lumped parameter model can be used. For that purpose the Biot number is to be calculated

$$Bi = hL/k, L = \text{Volume}/\text{Surface area}, \text{Volume} = \frac{\text{mass}}{\text{density}}$$

$$L = 1.2/(7150 \times 0.075) = 2.24 \times 10^{-3} \text{ m}$$

$$\therefore Bi = 56.8 \times \frac{1.2}{7150} \times \frac{1}{0.075} \times \frac{1}{95} = 1.34 \times 10^{-3}$$

This is much less than 0.1. So the model can be adopted.

The calculations are made using equation 6.4.

$$\frac{T - T_{\infty}}{T_o - T_{\infty}} = e^{-(hA/\rho cV) \tau} = e^{-(h/\rho c) (1/L) \tau}$$

$$(i) \quad \frac{T - 20}{345 - 20} = \exp \left[\frac{-56.8}{7150 \times 385} \times \frac{1}{2.24 \times 10^{-3}} \times 5 \times 60 \right] = 0.063$$

\therefore Temperature after 5 minutes is $T = 40.5^{\circ}\text{C}$

$$(ii) \quad \frac{50 - 20}{345 - 20} = \exp \left[\frac{-56.8}{7150 \times 385} \times \frac{1}{2.24 \times 10^{-3}} \times \tau \right]$$

$$\text{Taking ln,} \quad 2.383 = \frac{56.8}{7150 \times 385 \times 2.24 \times 10^{-3}} \times \tau$$

$$\therefore \tau = 258.7 \text{ sec or } 4.31 \text{ minutes}$$

(iii) The time constant is the time at which the temperature ratio (equation 6.6)

$$\frac{T - T_{\infty}}{T_o - T_{\infty}} = \frac{1}{e} \text{ or } \frac{h\tau}{\rho cL} = 1$$

$$\therefore \tau = \rho cL/h = \frac{7150 \times 385 \times 2.24 \times 10^{-3}}{56.8} = 108.6 \text{ seconds}$$

(iv) For the lumped parameter model to be used

$$\frac{hL}{k} < 0.1 \text{ converting to equality}$$

$$h = \frac{0.1 k}{L} = \frac{0.1 \times 95}{2.24 \times 10^{-3}} = 4241 \text{ W/m}^2\text{K}$$

For any value less than this the model can be used

$$(v) \quad \frac{hL}{k} = 0.1, \frac{V}{A} = L = \frac{95 \times 0.1}{56.8} = 0.1672 \text{ m}$$

the present value is 0.00224 m.

Note: This problem brings out all the various nuances of the model.

Problem 6.2: Cylindrical pieces of size 60 mm dia and 60 mm height with density = 7800 kg/m³, specific heat = 486 J/kgK and conductivity 43 W/mK are to be heat treated. The pieces initially at 35°C are placed in a furnace at 800°C with convection coefficient at the surface of 85 W/m²K. Determine the time required to heat the pieces to 650°C. If by mistake the pieces were taken out of the furnace after 300 seconds, determine the shortfall in the requirements.

Solution: First it is necessary to check for the use of lumped parameter model by calculating Biot number.

$$\text{Biot number} = \frac{hL}{k}, L = \text{Volume/Surface area}$$

$$\text{Volume} = \pi r^2 h, \text{ surface area} = 2\pi r^2 + 2\pi rh$$

$$\therefore L = \frac{\pi r^2 h}{2\pi r^2 + 2\pi rh} = \frac{rh}{2r + 2h} = \frac{0.03 \times 0.06}{2(0.03 + 0.06)} = 0.01 \text{ m}$$

$$\therefore Bi = \frac{85 \times 0.01}{43} = 0.02$$

This is much less than 0.1 and hence the lumped parameter model is applicable. To determine the time needed for the heating, equation 6.4 is used.

$$\frac{650 - 800}{35 - 800} = \exp \left[\frac{-85}{7800 \times 486} \times \frac{1}{0.01} \cdot \tau \right]$$

Solving $\tau = 726.6$ seconds or 12 min 7 seconds

If the piece is taken out after 300 seconds, then

$$\frac{T - 800}{35 - 800} = \exp \left[\frac{-85 \times 300}{7800 \times 486 \times 0.01} \right]$$

$\therefore T = 409.6^\circ\text{C}$. This falls short by about 240°C.

Problem 6.3: A bearing piece in the form of half of a hollow cylinder of 60 mm ID, 90 mm OD and 100 mm long is to be cooled to -100°C from 30°C using a cryogenic gas at -150°C with a convection coefficient of $70 \text{ W/m}^2\text{K}$. density = 8900 kg/m^3 , specific heat = 444 J/kgK , conductivity = 17.2 W/mK . Determine the time required.

Solution: The piece to be cooled is shown in Fig. P. 6.3.

The volume of the piece

$$V = \pi \frac{(0.045^2 - 0.03^2)}{2} \times 0.1 \text{ m}^3$$

$$= 1.76715 \times 10^{-4} \text{ m}^3$$

$$\text{Surface area} = (\pi \times 0.03 \times 0.1)$$

$$+ (\pi \times 0.045 \times 0.1) + (2 \times 0.1 \times 0.015)$$

$$+ \frac{2\pi(0.045^2 - 0.03^2)}{2} = 0.030096 \text{ m}^2$$

$$\therefore L = \frac{V}{A} = \frac{1.76715 \times 10^{-4}}{0.030096} = 5.872 \times 10^{-3} \text{ m}$$

$$Bi = \frac{hL}{k} = \frac{70 \times 5.872 \times 10^{-3}}{17.2} = 0.02389.$$

This is smaller than 0.1 hence, lumped parameter model can be used. To determine the time, equation 6.4 is used.

$$\frac{-100 - (-150)}{30 - (-150)} = \exp \left[\frac{-70 \times \tau}{8900 \times 444 \times 5.872 \times 10^{-3}} \right]$$

Solving for τ , time required for the cooling is obtained as **424.6 sec** or 7.08 minutes.

Problem 6.4: A thermocouple in the form of a long cylinder of 2 mm dia initially at 30°C is used to measure the temperature of a cold gas at -160°C. The convection coefficient over the surface is 60 W/m²K. The material properties are; density = 8922 kg/m³, specific heat = 410 J/kgK, conductivity = 22.7 W/mK. Determine the time it will take to indicate -150°C. Also calculate the time constant.

Solution: Considering lm length the characteristic length for the solid is

$$V/A_s = \pi R^2 / 2\pi R = R/2 = 0.0005 \text{ m.}$$

$$Bi = \frac{60 \times 0.0005}{22.7} = 1.322 \times 10^{-3}.$$

Hence lumped parameter model can be used.

$$\frac{-150 - (-160)}{30 - (-160)} = \exp \left[\frac{-60 \times \tau}{8922 \times 410 \times 0.0005} \right]$$

$\therefore \tau = 89.76$ seconds, rather high. This can be reduced by using smaller wire diameter or higher value of h .

$$\text{The time constant } \tau_c = \frac{\rho c L}{h} = \frac{8922 \times 410 \times 0.0005}{60} = 30.5 \text{ seconds.}$$

Problem 6.5: It is desired to estimate the batch time for a heat treatment process involved in cooling alloy steel balls of 15 mm dia from 820°C to 100°C in oil at 40°C with a convection coefficient of 18 W/m²K. The material properties are: density = 7780 kg/m³, specific heat = 526 J/kgK, conductivity = 45 W/mK. Determine the time required. If this is to be achieved in 10 minutes, determine the value of convection coefficient.

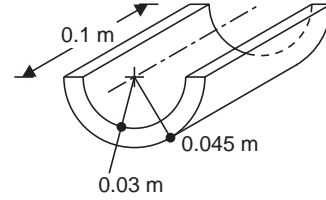


Fig. P. 6.3.

Solution: The characteristic length in the case of a sphere is

$$\frac{4}{3}\pi R^3/4\pi R^2 = \frac{R}{3} \text{ m} = \frac{0.015}{6}$$

$$\therefore \text{Biot number} = \frac{18 \times 0.015}{6 \times 45} = 1 \times 10^{-3} \text{ m. So lumped parameter model can be used.}$$

The time is determined using equation 6.4.

$$\frac{100 - 40}{820 - 40} = \exp\left[\frac{-18 \times \tau \times 6}{7780 \times 526 \times 0.15}\right] \quad \therefore \tau = 1457.8 \text{ seconds}$$

If the cooling is to be achieved in 10 min. or 600 seconds

$$\frac{100 - 40}{820 - 40} = \exp\left[\frac{-h \times 600 \times 6}{7780 \times 526 \times 0.015}\right] \quad \therefore h = 43.74 \text{ W/m}^2\text{K}$$

$$\text{Check whether } hL/k < 0.1, \frac{43.74 \times 0.015}{6 \times 45} = 2.43 \times 10^{-3}.$$

Problem 6.6: In problem 6.5, if the convection coefficient is increased to 5000 W/m²K using evaporating liquid, determine the time required to cool 100°C.

Solution: Using data from problem, 6.5, ($L = R/3$)

$$\frac{hL}{k} = \frac{5000 \times 0.015}{6 \times 45} = 0.28$$

So the lumped parameter model cannot be used. Recourse should be taken to the use of Heisler chart. Assuming that the centre to reach 100°C. Refer procedure in section 6.1.2.

$$\text{excess temperature ratio} = \frac{T_o - T_\infty}{T_i - T_\infty} = \frac{100 - 40}{820 - 40} = 0.077$$

Entering the centre temperature chart at 0.077 and reading on $Bi = 0.28$, $Fo = 3.4$

$$\therefore \alpha \tau / R^2 = 3.4 \quad \therefore \tau = 3.4 \times R^2 / \alpha$$

$$\alpha = \frac{k}{\rho c} = 45 / (7780 \times 526), R = 0.015/2$$

$$\therefore \tau = \frac{3.4 \times 0.015^2 \times 7780 \times 526}{4 \times 45} = 17.5 \text{ s}$$

By using location chart, the surface temperature can be obtained. The correction factor is 0.87.

$$\therefore \frac{T - T_\infty}{T_o - T_\infty} = 0.077 \times 0.87 \quad \therefore T = 92.3^\circ\text{C}$$

If lumped parameter method is used (eqn. 6.4) the time is estimated as 5.25 seconds.

Problem 6.7: A copper sphere of 10 mm dia at 80°C is placed in an air stream at 30°C. The temperature dropped to 65°C after 61 seconds. Calculate the value of convection coefficient. Assume property values as follows: density = 8925 kg/m³, specific heat = 397 J/kg K, conductivity = 393 W/mK. The characteristic length dimension = $R/3 = 0.00513 \text{ m}$.

for
$$\frac{hL}{k} = 0.1 \quad \therefore \quad h = \frac{0.1 \times 393 \times 3}{0.005} = 23580 \text{ W/m}^2\text{K}.$$

Solution: The actual value of h will be within this range and so lumped parameter model can be used. The equation 6.4 is used.

$$\frac{65 - 30}{80 - 30} = \exp \left[\frac{-h \times 61 \times 3}{8925 \times 397 \times 0.005} \right] \quad \therefore \quad \mathbf{h = 34.53 \text{ W/m}^2\text{K}}$$

This is well within 23580 and so lumped parameter model can be used.

Note: This method can be used for estimating convection coefficient.

Problem 6.8: Glass spheres of radius of 2 mm at 600°C are to be cooled in an air stream at 30°C to a temperature of 80°C without any surface crack. Estimate the maximum value of convection coefficient that may be used. Also determine the minimum time required for the cooling. The property values are density = 2225 kg/m³, specific heat = 835 J/kgK, conductivity = 1.4 W/mK.

Solution: Surface crack occurs due to temperature difference within the solid. The lumped parameter model assumes that the temperature all over the body at any point of time is the same. So if $Bi < 0.1$, then the cooling should not cause cracking. The condition is

$$\therefore \quad \frac{hL}{k} = 0.1, \quad \frac{h \times 0.002}{3} \times \frac{1}{1.4} = 0.1$$

$$\therefore \quad \mathbf{h = 210 \text{ W/m}^2\text{K}}. \text{ The maximum value .}$$

There may be an error of about 5% \therefore safe value of h is 200 W/m² K.

Time for cooling is obtained using equation 6.4

$$\frac{80 - 30}{600 - 30} = \exp \left[\frac{-210 \times 3 \tau}{2225 \times 835 \times 0.002} \right], \quad \mathbf{\tau = 14.35 \text{ s}}$$

Problem 6.9: A coal pellet of 1 mm dia sphere is to be heated by radiation with a source at 1200 K from 300 K to 900 K. Determine the time required. Take density = 1350 kg/m³. Specific heat 1260 J/kgK, conductivity = 0.26 W/mK. The equations available cannot be used as such.

Solution: The heat balance can be represented by (assuming black body conditions)

$$\sigma A(T_\infty^4 - T^4) d\tau = \rho Vc dT$$

Separating variables

$$\frac{\sigma A}{\rho Vc} d\tau = \frac{dT}{T_\infty^4 - T^4}$$

A standard form of integral available is used:

$$\int \frac{dx}{a^4 - x^4} = \frac{1}{4a^3} \ln \left| \frac{a+x}{a-x} \right| + \frac{1}{2a^3} \tan^{-1} \frac{x}{a}$$

noting that $x \longrightarrow T$ and $a \longrightarrow T_\infty$

$$\frac{\sigma A}{\rho Vc} \cdot \tau = \left[\frac{1}{4T_\infty^3} \ln \left| \frac{T_\infty + T}{T_\infty - T} \right| + \frac{1}{2T_\infty^3} \tan^{-1} \frac{T}{T_\infty} \right]_{T_1}^{T_2} \quad \dots(\text{P. 6.9.1})$$

(if calculators are used in taking $\tan^{-1} (T/T_\infty)$ radian mode should be used)

Noting $A/V = (3/R)$, $T_1 = 300$, $T_2 = 900$ K

$$\frac{5.67 \times 10^{-8} \times 3}{1350 \times 1260 \times 0.0005} \cdot \tau = \frac{1}{4 \times 1200^3} \left[\ln \left(\frac{1200 + 900}{1200 - 900} \right) - \ln \left(\frac{1200 + 300}{1200 - 300} \right) \right] \\ + \frac{1}{2 \times 1200^3} \left[\tan^{-1} \frac{900}{1200} - \tan^{-1} \frac{300}{1200} \right]$$

Solving, $\tau = 1.6147$ sec

(hint taking 10^{-8} to the RHS will help in the working).

A check: Applicability of pumped parameter model is checked by calculating the Biot number.

$$h_r = (T_\infty + T) (T_\infty^2 + T^2) \text{ Assuming an average of } 600^\circ\text{K for } T$$

$$h_r = 5.67 \times 10^{-8} (1200 + 600) (1200^2 + 600^2) = 183.7 \text{ W/m}^2\text{K}$$

$$\therefore \frac{hL}{k} = \frac{182.7 \times 0.005}{3 \times 0.26} = 0.118$$

Note: Just on the border.

A check for heat transfer: $Q = \text{heat capacity} \times \text{temp. change}$

$$\therefore Q = \frac{4}{3} \pi 0.0005^3 \times 1350 \times 1250 (900 - 300) = 0.534 \text{ J} = 0.559 \text{ J}$$

Using the convection coefficient calculate using 600 K as average

$$Q = hA (\Delta T) \tau = 183.7 \times 4\pi \times 0.0005^2 \times (1200 - 600) \times 1.6147 \\ = 0.559 \text{ J. Checks}$$

Problem 6.10: A metal sphere 20 mm radius at 900 K is allowed to cool in a room at 310 K by (i) convection only (ii) radiation only.

Determine in each case the time required for the sphere to reach 450 K Density = 2700 kg/m³, specific heat = 1110 J/kgK, conductivity = 218 W/mK. Convection coefficient = 18 W/m²K.

Solution:

(i) Check for applicability of lumped parameter model.

$$Bi = \frac{hL}{k} = \frac{18 \cdot 0.02}{218 \cdot 3} = 0.00055. \text{ So applicable.}$$

Using equation 6.4

$$\frac{450 - 310}{900 - 310} = \exp \left[\frac{-18 \times 3 \tau}{2700 \times 1110 \times 0.02} \right]$$

Solving $\tau = 1597$ seconds

(ii) Cooling by radiation: refer, eqn P.6.9.1, - ve sign due to cooling

$$\tau = - \frac{\rho c V}{\sigma A} \left[\frac{1}{4T_\infty^3} \ln \left| \frac{T_\infty + T}{T_\infty - T} \right| + \frac{1}{2T_\infty^3} \tan^{-1} \frac{T}{T_\infty} \right]_{T_2}^{T_1}$$

$$\tau = \frac{-2700 \times 1110 \times 0.02}{5.67 \times 3} \times 10^8 \left[\frac{1}{4 \times 310^3} \left\{ \ln \left| \frac{310 + 900}{310 - 900} \right| - \ln \left| \frac{310 + 450}{310 - 450} \right| \right\} \right. \\ \left. + \frac{1}{2 \times 310^3} \left\{ \left(\tan^{-1} \frac{900}{310} \right) - \left(\tan^{-1} \frac{450}{310} \right) \right\} \right] \\ = 1273 \text{ seconds}$$

Problem 6.11: A metal plate 10 mm thick at 30°C is suddenly exposed on one face to a heat flux of 3000 W/m² and the other side is exposed to convection to a fluid at 30°C with a convective heat transfer coefficient of 50 W/m²K.

Determine the temperature variation with time and also the steady state temperatures and the time to reach 1°C less than the steady state temperature on the hot face. Density = 8933 kg/m³, specific heat = 385 J/kgK, conductivity = 380 W/mK.

Solution: Steady state condition is solved for first.

The heat flow through the wall and the convection over the face is given

$$3000 = \frac{T_1 - 30}{\frac{1}{50} + \frac{0.01}{380}} \quad \therefore T_1 = 90.08^\circ\text{C}$$

and

$$3000 = (T_2 - 30)50 \quad \therefore T_2 = 90^\circ\text{C}$$

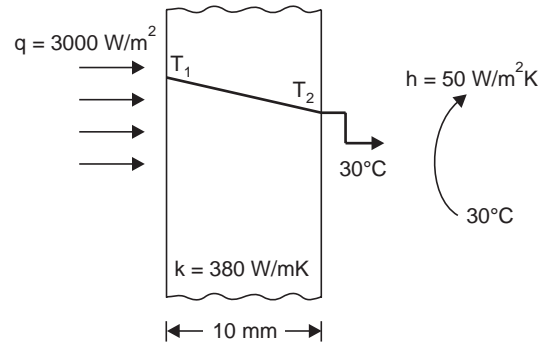


Fig. P. 6.11. Problem model.

The slab is almost at constant temperature over the thickness. During the transient conditions, the energy balance at any instant when the plate temperature is T is

$$A_s [q - h(T - T_\infty)] d\tau = \rho c V dT$$

Now introducing a new variable, $\theta = T - T_\infty$

Separating the variables

$$\frac{A_s}{\rho c V} d\tau = \frac{dT}{q - h(T - T_\infty)} = \frac{d\theta}{q - h\theta}$$

Integrating from 0 time to time τ

$$\frac{A_s \tau}{\rho c V} = -\frac{1}{h} \ln \left[\frac{q - h\theta_2}{q - h\theta_1} \right] \quad \dots(6.11.1)$$

or
$$\frac{q - h\theta_2}{q - h\theta_1} = \exp[-hA_s\tau/\rho cV]$$

or
$$\frac{q - h(T - T_\infty)}{q - h(T_1 - T_\infty)} = \exp[-hA_s\tau/\rho cV] \quad \dots(6.11.2)$$

This provides the variation of temperature T with time. The temperature to be reached is 89°C . (note: $(T_1 = T_\infty)$, $A_s/V = \frac{1}{L}$)

$$\frac{3000 - 50(89 - 30)}{3000 \times 1} = \exp[-50 \times \tau/8933 \times 385 \times 0.01]$$

Solving: $\tau = 2816$ seconds

Check for $\frac{hL}{k}$, $\frac{50 \times 0.01}{380} = 0.0013$ so use of lumped parameter model is justified.

A check can also be made for energy flow:

As $T_1 - T_\infty = 30 - 30 = 0$, rearranging equation 2,

$$h(T - T_\infty) d\tau = q[1 - \exp(-hA_s/\rho cV)] d\tau$$

Integrating the LHS, we get the energy convected over the surface from T_∞ to T and this is given by integrating the RHS from 0 time to time τ .

$$\begin{aligned} \therefore \text{Energy convected} &= \int_0^\tau q(1 - e^{-(hA_s/\rho cV)\tau}) d\tau \\ &= q(\tau - 0) + \frac{q \cdot \rho c V}{hA_s} [e^{-(hA_s/\rho cV)\tau} - e^0] \\ &= 3000(2816 - 0) + \left[\frac{3000 \times 8933 \times 385 \times 0.01}{50 \times 1} \right] [e^{-(50 \times 1/8933 \times 385 \times 0.01) 2816} - 1] \\ &= 8.448 \times 10^6 - 2.029 \times 10^6 \\ &= \mathbf{6.419 \times 10^6 \text{ J}} \end{aligned}$$

$$\text{Energy stored} = (59 - 30) \times 0.01 \times 8933 \times 385 = \mathbf{2.029 \times 10^6 \text{ J}}$$

$$\text{Energy in} = \text{energy convected} + \text{energy stored}$$

$$= 6.419 \times 10^6 + 2.029 \times 10^6 \text{ J} = \mathbf{8.448 \times 10^6 \text{ J}}$$

$$\text{From heat flux} \longrightarrow 3000 \times 2816 = \mathbf{8.448 \times 10^6 \text{ J}}$$

Checks to the required accuracy.

Problem 6.12: A device has a mass of 0.5 kg and specific heat of 750 J/kgK and a surface area of 0.04 m². The device is initially at 30°C and is exposed to convection to a fluid at 30° with a convective heat transfer coefficient of 12 W/m²K. If the temperature of the device should increase to 120°C in 120 seconds, using an embedded heater, determine its capacity.

Solution: The problem can be modelled on the same basis as problem 6.11. The energy equation is

$$[q - hA(T - T_\infty) d\tau] = \rho cVdT.$$

$$\therefore \frac{1}{\rho c V} \cdot d\tau = \frac{dT}{q - hA(T - T_\infty)} = \frac{d\theta}{q - hA\theta}$$

letting $\theta = (T - T_\infty)$

Integrating from 0 to time τ

$$\frac{1}{\rho c V} \tau = -\frac{1}{hA} \ln \left(\frac{q - hA\theta_2}{q} \right) \text{ as } hA\theta_1 = 0$$

$$\therefore \frac{q - hA\theta_2}{q} = \exp \left[\frac{-hA\tau}{\rho c V} \right], \text{ as } \rho v = \text{mass} = 0.5$$

$$\frac{q - 12 \times 0.04 (120 - 30)}{q} = \exp \left[\frac{-12 \times 0.04 \times 120}{0.5 \times 750} \right] = 0.8576$$

Solving $\mathbf{q = 303.4 \text{ W}}$

Note: As in the problem 6.11, energy flow check can be made.

Problem 6.13: A piece of material is to be dried in an oven. The mass is 0.5 kg, sp. heat = 2999 J/kg K. The surface area is 0.085 m². In the process the material gets heated and additionally 45 J/s of heat is used up in evaporation process. The oven is at 180°C and the convection coefficient is 16 W/m²K. Determine the time required to heat up the material from 30°C to 90°C.

Solution: The energy equation at the instant when the temperature is T is as below:

$$hA(T_\infty - T) d\tau - 45 d\tau = m c dT, \text{ as } (m = \rho V)$$

Separating variables

$$\frac{1}{mc} \cdot d\tau = \frac{dT}{hA(T_\infty - T) - 45} = \frac{d\theta}{-hA\theta - 45}$$

(Letting $\theta = T - T_\infty$) Integrating between limits,

$$\therefore \frac{1}{mc} \tau = -\frac{1}{hA} \ln \frac{-hA(T_\infty - T_2) - 45}{-hA(T_\infty - T_1) - 45}$$

$$\therefore -\frac{hA}{mc} \tau = \ln \frac{-h(T_\infty - T_2) - 45}{-hA(T_\infty - T_1) - 45}$$

$$\frac{-hA(T_\infty - T_2) - 45}{-hA(T_\infty - T_1) - 45} = \exp \left[\frac{-hA}{mc} \tau \right] \quad \dots(1)$$

For the given data

$$\frac{-16 \times 0.085 (180 - 90) - 45}{-16 \times 0.085 (180 - 30) - 45} = \exp \left[\frac{-16 \times 0.085}{0.5 \times 2999} \tau \right]$$

$$\frac{-167.4}{-249} = \exp [-9.07 \times 10^{-4} \tau]$$

$\therefore \mathbf{t = 438 \text{ seconds.}}$

Problem 6.14: An electronic component generating heat at 50W is mounted on a sink of mass 0.4 kg and at steady state the temperature of the sink is 115°C. When the surrounding is at 30°C determine the temperature of the component 6 minutes after power supply is switched on. The initial and surrounding temperature are 30°C. Specific heat = 949 J/kgK.

Solution: Let the steady state temperature be T_s and surrounding at T_∞ . Then $hA_s(T_s - T_\infty) = q$ as energy generated = energy convected. Now the energy balance any time after power supply is switched on is given by

$$q \cdot d\tau - hA_s(T - T_\infty) d\tau = mc dT$$

Substituting for q from steady state condition,

$$[hA_s(T_s - T_\infty) - hA_s(T - T_\infty)] d\tau = mc dT$$

$$\therefore hA_s(T_s - T) d\tau = mc dT$$

Separating Variables, defining $\theta = T - T_s$

$$\frac{hA_s}{mc} d\tau = \frac{dT}{(T_s - T)} = \frac{d\theta}{\theta}$$

Integrating and rearranging

$$\frac{-hA_s}{mc} \tau = \ln \frac{T_s - T_2}{T_s - T_i} \text{ or } \ln \frac{T_s - T_2}{T_s - T_\infty}$$

$$\therefore \frac{T_s - T_2}{T_s - T_i} = \exp \left[\frac{-hA_s}{mc} \tau \right]$$

From steady state condition:

$$hA_s = q/(T_s - T_\infty) = \frac{50}{115 - 30} = \frac{50}{85}, \text{ substituting this value}$$

$$\frac{115 - T_2}{115 - 30} = \exp \left[\frac{-50 \times 6 \times 60}{85 \times 0.4 \times 949} \right]$$

$$\text{Solving } T_2 = 66.34^\circ\text{C}$$

Semi-infinite Solids (6.15)–(6.22)

Problem 6.15: On a hot day the wood surface gets heated to 50°C to a considerable depth. Sudden sharp showers cool the surface to 20°C and maintain the surface at this temperature level. Determine the temperature at 2 cm depth after 40 minutes. The material properties are: density = 2115 kg/m³. Specific heat = 920 J/kgK. Conductivity = 0.062 W/mK. Also calculate the heat flow from the surface upto the time, instantaneous heat flow at the surface and 2 cm depth.

Solution: The semi infinite solid model is suitable for this problem. The equation 6.8 is used to find the temperature. $T_s = 20^\circ\text{C}$, $T_i = 50^\circ\text{C}$,

$$\frac{T_{x,\tau} - T_s}{T_i - T_s} = \text{erf} \left(\frac{x}{2\sqrt{\alpha\tau}} \right), \alpha = \frac{k}{\rho c} = \frac{0.062}{2115 \times 920}$$

$$\therefore \frac{x}{2\sqrt{\alpha\tau}} = \frac{0.02}{2 \times \sqrt{(0.062 / 2115 \times 920) \times 40 \times 60}} = 1.1435$$

From error function Tables, $\text{erf}(1.1435) = 0.89414 \quad \therefore T_{x,\tau} = 46.82^\circ\text{C}$

Total heat flow upto the time: (equation 6.10)

$$\begin{aligned} Q &= 2k(T_s - T_i) \sqrt{\tau / \pi\alpha} \\ &= 2 \times 0.062(20 - 50) \sqrt{40 \times 60 \times 2115 \times 920 / \pi \times 0.062} \\ &= -576006 \text{ J/m}^2 \end{aligned}$$

Instantaneous surface flow: (equation 6.9)

$$\begin{aligned} q_0 &= k(T_s - T_i) / \sqrt{\pi\alpha\tau} \\ &= 0.062 \times (20 - 50) / \sqrt{\pi \times 0.062 \times 40 \times 60 / (2115 \times 920)} \\ &= -120 \text{ W/m}^2 \end{aligned}$$

Instantaneous heat flow at 0.02 m depth: equation 6.11

$$\begin{aligned} q_x &= \frac{k(T_x - T_i)}{\sqrt{\pi\alpha\tau}} \exp[-x^2/4\alpha\tau] \\ &= \frac{0.062(46.82 - 50)}{\sqrt{\pi \times 0.062 \times 40 \times 60 / (2115 \times 920)}} \\ &\quad \times \exp[-0.02^2 / (4 \times 0.062 \times 40 \times 60 / 2115 \times 920)] \\ &= -3.44 \text{ W/m}^2 \text{ (flow in the -ve } x \text{ direction)} \end{aligned}$$

Problem 6.16: The soil temperature was 5°C . Suddenly the surface temperature drops to -10°C . Determine the depth at which the temperature will reach 0°C after 12 hours. Also find the temperature at 0.1 m and 0.05 m. Calculate also the total heat removed per m^2 area during the period. Thermal diffusivity = $3.097 \times 10^{-7} \text{ m}^2/\text{s}$, conductivity = 0.657 W/mK .

Solution: Semi-infinite slab model can be used for the problem. Using equation 6.8.

$$\frac{T - T_s}{T_o - T_s} = \text{erf}(x / 2\sqrt{\alpha\tau}), \quad \frac{0 - (-10)}{5 - (-10)} = \frac{10}{15} = 0.667$$

$$\text{erf}(x / 2\sqrt{3.097 \times 10^{-7} \times 12 \times 60 \times 60}) = 0.667$$

Using error function tables, this value corresponds to

$$\therefore x / 2\sqrt{3.097 \times 10^{-7} \times 12 \times 60 \times 60} = 0.68$$

$$\therefore \mathbf{x = 0.1573 \text{ m}}$$

at $\mathbf{x = 0.1 \text{ m}}$ $x / 2\sqrt{\alpha\tau} = 0.43225$

$$\therefore \frac{T - (-10)}{5 - (-10)} = \text{erf}(0.43257) = 0.45912 \quad \therefore \mathbf{T = -3.11^\circ\text{C}}$$

at $\mathbf{x = 0.05 \text{ m}}$ $x / 2\sqrt{\alpha\tau} = 0.2161$ $\text{erf}(0.2161) = 0.24010$

$$\therefore \mathbf{T = -6.4^\circ\text{C}}$$

$$\begin{aligned} \text{Total heat flow} &= 2k(T_s - T_i) \sqrt{\tau / \pi\alpha} = 2 \times 0.657(-10 - 5) \sqrt{12 \times 3600 / \pi \times 3.097 \times 10^{-7}} \\ &= 4.15 \times 10^6 \text{ J/m}^2 \end{aligned}$$

Problem 6.17: Still water of some depth initially at 37°C has its surface raised to 100°C and maintained at this level. Determine the depth at which the temperature will reach 48°C after 10 seconds. Also find the heat flow during this time into the water. If the surface temperature only was raised to 50°C determine these quantities. $\alpha = 1.595 \times 10^{-7} \text{ m}^2/\text{s}$; $k = 0.656 \text{ W/mK}$.

Solution: Semi infinite slab model only suits the problem, with usual notations.

$$\frac{T_{x,\tau} - T_o}{T_i - T_o} = \text{erf} \left(\frac{x}{2\sqrt{\alpha\tau}} \right) \quad \therefore \quad \frac{48 - 100}{37 - 100} = \text{erf} \left(\frac{x}{2\sqrt{10 \times 1.595 \times 10^{-7}}} \right)$$

$$0.8254 = \text{erf} (395.86 x)$$

Using error function tables, and solving,

$$\mathbf{x = 2.43 \text{ mm}}$$

$$\begin{aligned} \text{Total heat flow} \quad \mathbf{Q} &= 2k(T_o - T_i) \sqrt{\tau / \pi\alpha} = 2 \times 0.656 (100 - 37) \sqrt{10 / \pi \times 1.595 \times 10^{-7}} \\ &= \mathbf{369249 \text{ J/m}^2} \end{aligned}$$

For $T_o = 50^\circ\text{C}$, x is obtained as 0.354 mm

and **$Q = 76194 \text{ J/m}^2$.**

Note: This situation is similar to some one gripping a hot body with hand and 48°C may cause death of cells. So burn depth can be estimated by this process.

Problem 6.18: A large slab at 350°C suddenly has its surface exposed to convection at 30°C with $h = 80 \text{ W/m}^2\text{K}$. Determine the temperatures at a depth of 40 mm and at the surface after 300 seconds, given thermal diffusivity = $5.6 \times 10^{-6} \text{ m}^2/\text{s}$ and conductivity = 25 W/mK .

Solution: This is a semi infinite slab with convection boundary (eqn 1.13 (a))

$$\frac{T_{x,\tau} - T_i}{T_\infty - T_i} = [1 - \text{erf}(x / 2\sqrt{\alpha\tau}) - \exp \{(hx / k) + (h^2 \alpha\tau / k^2)\}] \times [1 - \text{erf} \{(x / 2\sqrt{\alpha\tau}) + (h\sqrt{\alpha\tau} / k)\}]$$

(i) $x = 0.04 \text{ m}$ $\tau = 300\text{s}$, $\alpha = 5.6 \times 10^{-6} \text{ m}^2/\text{s}$, $h = 80 \text{ W/m}^2\text{K}$, $k = 25 \text{ W/mK}$. Substituting and simplifying

$$\frac{T_{x,\tau} - 350}{30 - 350} = 1 - 0.5117 (1.1563) (1 - 0.61941) = 0.0482$$

$$\therefore \quad \mathbf{T_{x,\tau} = 334.6^\circ\text{C}}$$

(ii) For the surface temperature $x = 0$.

$$\begin{aligned} \therefore \quad \frac{T_{o,\tau} - T_i}{T_\infty - T_i} &= 1 - [\exp (h^2\alpha\tau / k^2)] \times [1 - \text{erf} (h\sqrt{\alpha\tau} / k)] \\ &= 1 - 1.01735 (1 - 0.15) = 0.1353. \end{aligned}$$

$$\therefore \quad \mathbf{T_{\text{surface}} = 306.7^\circ\text{C}}$$

This problem can also be solved using charts.

The skeleton charts are shown in Fig. P. 6.18(a) and P. 6.18(b)

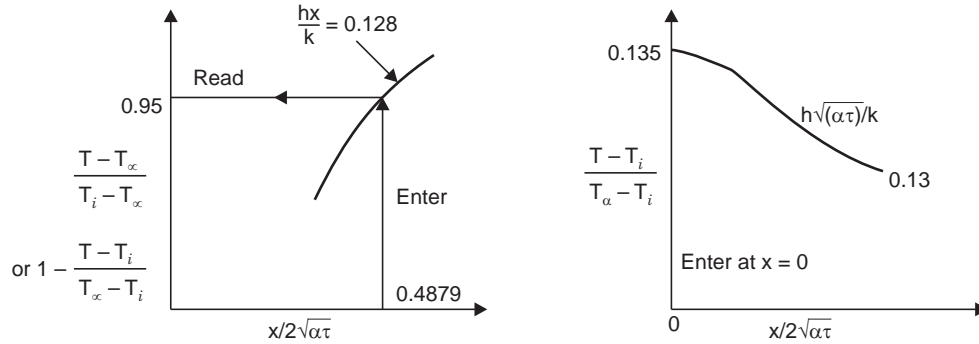


Fig. P. 6.18 (a, b)

In the case 1 Fig. 6.18(a) is used.

$$\frac{T - T_i}{T_\infty - T_i} = 0.05 \text{ compared to } 0.0482$$

In the case 2, Fig. P. 6.18(b) is used as $x = 0$, the intersection with y axis is taken as the value. The value read is 0.135 as compared to 0.1352.

Note: As the equation is long, the charts (refer P 210) may be used for quick calculation and also for checking. It is not easy to determine heat flow in this case. But $\int_0^\tau h(T - T_\infty) d\tau$ will provide the value. T is the surface temperature at $x = 0$, at any time.

Problem 6.19: A thick wooden slab at 30°C is suddenly exposed to combustion gases at 850°C with convection coefficient of $40 \text{ W/m}^2\text{K}$. Determine the time elapsed before the surface reaches 400°C . Thermal diffusivity = $1.472 \times 10^{-7} \text{ m}^2/\text{s}$. Conductivity = 0.207 W/mK .

Solution: This is also a semi infinite slab model with surface convection. In this case $x = 0$ plane is considered.

$$\begin{aligned} \frac{T - T_i}{T_\infty - T_i} &= \frac{400 - 30}{850 - 30} = \frac{370}{820} = 0.4512 \\ &= 1 - \exp(-h^2 \alpha \tau / k^2) \times [1 - \text{erf}(h\sqrt{\alpha\tau} / k)] \end{aligned}$$

as both terms involve τ , a trial solution is attempted. The value of RHS for $\tau = 55, 60, 66$ and 75 yields the temperature ratio as 0.4091, 0.4228, 0.4322 and 0.4517. So the **time elapsed is near 75 seconds**, corresponding to the last trial.

The chart similar to one on Fig. 6.18 (b) available in data books gives by intersection on the x axis, $h\sqrt{\alpha\tau} / k = 0.65$

$\therefore \tau = 76.9$ seconds. The values agree within reasonable limits.

Problem 6.20: The soil temperature to a good depth was 5°C . Suddenly chill winds at -20°C start and blow over the surface producing a convection coefficient of $65 \text{ W/m}^2\text{K}$. Determine the depth at which the temperature will be zero after 12 hours. Thermal diffusivity = $3.097 \times 10^{-7} \text{ m}^2/\text{s}$. Thermal conductivity = 0.657 W/mK .

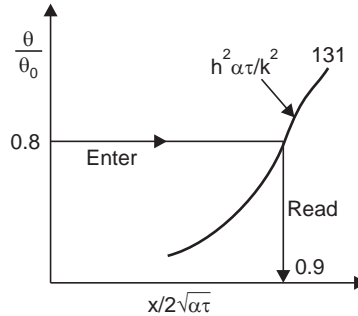


Fig. P. 6.20

Solution: This is a semi infinite slab model with surface convection. As x is involved is exponential as well as error function in a complex equation, it is easier to use chart solution, rather than trial solution. A chart of the type as shown in Fig. P. 6.20 is available in handbooks. Reading from such chart at

$$\frac{T_x - T_\infty}{T_i - T_\infty} = \frac{0 - (-20)}{5 - (-20)} = 0.8$$

$$(h^2 \alpha \tau / k^2) = 65 \times 65 \times 3.097 \times 10^{-7} \times 12 \times 3600 / 0.657^2 = 131$$

Entering the chart as shown at $\frac{\theta}{\theta_0} = 0.8$, $x / 2\sqrt{\alpha\tau}$ is read as 0.9

$$\therefore \quad \mathbf{x} = 0.9 \times 2\sqrt{\alpha\tau} = 0.9 \times 2\sqrt{3.097 \times 10^{-7} \times 12 \times 3600}$$

$$\quad \quad \quad \mathbf{= 0.2082 \text{ m}}$$

This can also be checked by substitution in the equation number 6.13 as an exercise.

Problem 6.21: A cylindrical refractory combustion chamber wall internal diameter 25 cm and wall thickness of 25 mm initially at 35°C is suddenly exposed to combustion products at 1450°C with a convection coefficient at 225 W/m²K. Considering the wall as a semi infinite slab, determine the temperature at various locations 60 seconds after gas exposure. Thermal diffusivity = 5.16 × 10⁻⁷ m²/s, Conductivity = 1.04 W/mK.

Solution: The assumption of semi infinite solid model is valid due to a large radius, short exposure time and low diffusivity.

The value of $x / 2\sqrt{\alpha\tau}$ at $x = 5, 10, 15, 20$ and 25 mm are calculated. Using the chart similar to P. 6.18(a) the values of temperature ratio are read off corresponding to the (hx/k) value. These are tabulated below:

$x(m)$	0.005	0.01	0.015	0.02	0.025
$x/2 \sqrt{\alpha\tau}$	0.4488	0.898	1.347	1.795	2.24
hx/k	1.082	2.163	3.245	4.327	5.41
$(T_x - T_\infty)/(T_i - T_\infty)$	0.73	0.9	0.97	0.99	1.0
$T_x(^\circ\text{C})$	417	176.5	77.5	49	35

The inside surface temperature has to be calculated by using the equation

$$\frac{T_s - T_i}{T_\infty - T_i} = 1 - \exp\left(\frac{h^2 \alpha \tau}{k^2}\right) \times \left[1 - \operatorname{erf}\left(h \frac{\sqrt{\alpha \tau}}{k}\right)\right] = 0.618$$

$$\frac{T_s - 35}{1450 - 35} = 1 - \exp\left[\frac{225^2 \times 5.16 \times 10^{-7} \times 60}{1.04^2}\right] \times \left[1 - \operatorname{erf}\left(\frac{225}{1.04} \sqrt{5.16 \times 10^{-7} \times 60}\right)\right]$$

$$\frac{T_s - 35}{1450 - 35} = 0.618$$

$$\therefore \mathbf{T_s = 909.5^\circ\text{C}}$$

Note: From the tabulation it can be noted that at the end of this time the temperature on the outside surface at 0.025 m is still at the initial temperature. *i.e.* the heat has not reached the surface. Hence semi-infinite solid model is applicable.

Problem 6.22: The temperature of road surface at 9 am was 5°C to a good depth. From 9 am to 12 noon the surface is exposed to solar radiation of 650 W/m^2 of which 0.4 times is absorbed. Determine the surface temperature and the temperature at a depth of 4 cm $\alpha = 8.26 \times 10^{-7} \text{ m}^2/\text{s}$, $k = 0.552 \text{ W/mK}$.

Solution: The problem can be modelled as semi infinite solid with uniform heat flux at the surface. (eqn. 6.15)

$$T_x - T_i = \frac{2q(\alpha\tau/\pi)^{0.5}}{k} \exp\left[\frac{-x^2}{4\alpha\tau}\right] - \frac{qx}{k} [1 - \operatorname{erf}(x/2\sqrt{\alpha\tau})]$$

$$x = 0, \tau = 3 \times 3600 \text{ seconds}, q = 0.4 \times 650 \text{ W/m}^2$$

$$\therefore T_s - 5 = \frac{2 \times 0.4 \times 650 (8.26 \times 10^{-7} \times 3 \times 3600 / \pi)^{0.5}}{0.552} \cdot 1 \text{ as } x = 0,$$

$$= 50.2$$

$$\therefore \mathbf{T_s = 55.2^\circ\text{C}}$$

at

$$x = 0.04\text{m},$$

$$T_x - 5 = \frac{2 \times 0.4 \times 650}{0.552} (8.26 \times 10^{-7} \times 3 \times 3600 / \pi)^{0.5} \cdot \exp\left(\frac{-0.04^2}{4 \times 8.26 \times 10^{-7} \times 3 \times 3600}\right)$$

$$- \frac{0.4 \times 650 \times 0.04}{0.552} [1 - \operatorname{erf}(0.04 / 2\sqrt{(8.26 \times 10^{-7} \times 3 \times 3600)})]$$

$$= 48.0 - 14.4 = 33.6$$

$$\therefore \mathbf{T_x = 38.6^\circ\text{C}.$$

Problem 6.23: Compare the response of a thermocouple and mercury in glass thermometers when exposed to surroundings with a sinusoidal temperature variation and convection coefficient of $95 \text{ W/m}^2\text{K}$.

The dimensions and property values are:

(i) thermocouple: density 7600 kg/m^3 , specific heat: 502 J/kg K dia: 0.0016 m

(ii) Mercury: density 13600 kg/m^3 , specific heat: 1360 J/kg K , dia = 12.8mm .

Solution: Thermometers are to be used to measure the temperature in a furnace with time period of 20 minutes. This is a lumped parameter system with periodic temperature change of surroundings.

The angle of lag is given by (eqn 6.16, 6.17)

$$\delta = \tan^{-1} [(2\pi/\tau_0) (\rho c V/hA)], \text{ amplitude ratio} = \frac{1}{\sqrt{1 + \tan^2 \delta}}$$

$$\frac{V}{A} = \frac{\pi r^2 \cdot l}{2\pi r l} = \frac{r}{2}$$

(i) Thermocouple $\delta = \tan^{-1} [(2\pi/20 \times 60) (7600 \times 502 \times 0.0004/95)]$
 $= 0.084$ radians or 4.8° or 16 seconds

Amplitude ratio: $1 / \sqrt{1 + \tan^2 0.084} = \mathbf{0.9965}$

(ii) Glass thermometer: $\delta = \tan^{-1} [(2\pi/1200) (13600 \times 1360 \times 0.0032/95)]$
 $= 127$ radians or 72.770 or 242.6 seconds

\therefore **Amplitude ratio = 0.293** (check by substitution)

Note: The thermocouple responds much better, following the variation closely and with very small error.

Cyclic Temperature Variation—Semi Infinite Solid

Problem 6.24: A thick furnace wall is exposed to hot gases in a furnace and the surface temperature varies sinusoidally every 20 minutes from a maximum to minimum value. The property of the materials are: thermal diffusivity $= 5.16 \times 10^{-7} \text{ m}^2/\text{s}$, conductivity $= 1.04 \text{ W/mK}$. Determine the angle of lag and amplitude ratio at a depth of 0.05 m. Also find the depth of penetration under equilibrium.

Solution: This is a semi infinite slab with periodic surface temperature change.

The time of lag is given by $\frac{x}{2} \sqrt{\tau_0 / \pi \alpha}$... (eqn. 6.18)

The amplitude ratio is given by $e^{-x \sqrt{\pi / \alpha \tau_0}}$... (eqn. 6.19)

The depth of penetration is given by $x_0 = 2 \sqrt{\pi \alpha \tau_0}$... (eqn. 6.20)

$$\tau_0 = 20 \times 60 = 1200 \text{ seconds}$$

\therefore **Time lag** $= \frac{0.05}{2} \sqrt{1200 / \pi \times 5.16 \times 10^{-7}}$
 $= \mathbf{680.2 \text{ seconds}}$ or 1.78 radians or 102°C

Amplitude ratio $= \exp [-0.05 \sqrt{\pi / 5.16 \times 10^{-7} \times 1200}]$

\therefore $\frac{T}{T_{\max}} = \mathbf{0.0284}$

$$\begin{aligned} \text{Depth of penetration: } x_0 &= 2\sqrt{\pi\alpha\tau} = 2\sqrt{\pi \times 5.16 \times 10^{-7} \times 1200} \\ &= 0.088 \text{ m.} \end{aligned}$$

Note: Such a variation will not affect the initial condition beyond 0.088 m thickness of wall. Also the amplitude ratio is low. See Fig. P. 6.24.

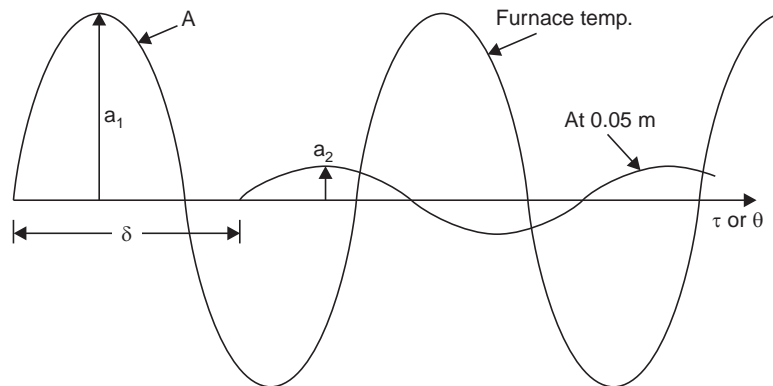


Fig. P. 6.24. Temperature variation.

Problems On Finite Thickness Solids

Problem 6.25: A plane wall made of material of density 7800 kg/m^3 , thermal conductivity 45 W/mK and specific heat 465 J/kgK is 0.12 m thick. After it was heated to a uniform temperature of 310°C , the wall is exposed to convection on both sides to surroundings at 30°C with a convective heat transfer coefficient of $450 \text{ W/m}^2\text{K}$. Determine the temperature after 8 minutes at (i) mid plane (ii) 0.03 m from centre plane and (iii) 0.054 m from centre plane and (iv) at the surface. also calculate (i) the heat flow out during this period for 1 m^2 area on one side and (ii) The instantaneous flow rate at the surface.

Solution: The data are presented in Fig. P. 6.25(a). This corresponds to infinite slab model and use of Heisler charts for solution is necessary. Also the mid plane excess temperature ratio is to be found using the mid plane chart and then location chart has to be used.

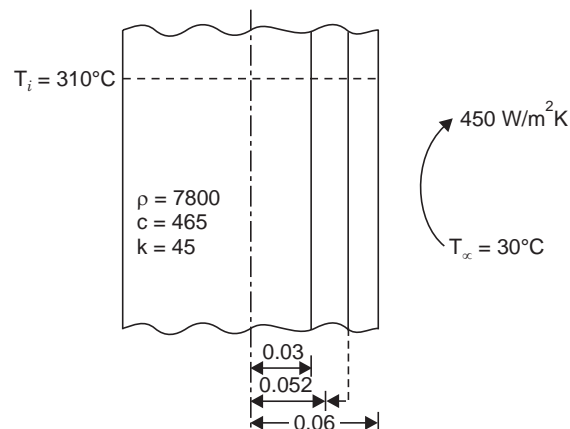


Fig. P. 6.25 (a)

The parameters required are $\frac{hl}{k} = \frac{450 \times 0.06}{45} = 0.6$

(This indicates lumped parameter model cannot be used)

$$\alpha\tau/L^2 = \frac{45 \times 8 \times 60}{7800 \times 465 \times 0.06^2} = 1.654$$

The mid plane temperature chart is entered at 1.654 as schematically shown and the reading is taken at the point where it meets $hL/k = 0.6$.

(Fig. P. 6.25(b)) the value read is 0.478

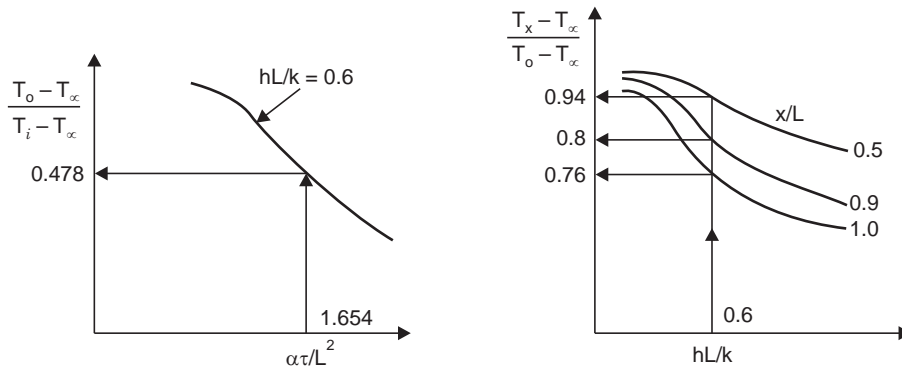


Fig. P. 6.25 (b), (c).

$$\frac{T_o - 30}{310 - 30} = 0.478 \quad \therefore T_o = 163.84^\circ\text{C}$$

To find temperatures at 0.03, 0.054 and 0.06 m planes $\frac{x}{L}$ values are found as 0.5, 0.9 and 1.

Entering the location chart at $hL/k = 0.6$, values are read at $x/L = 0.5, 0.9$ and 1 as 0.94, 0.8 and 0.76 respectively (Fig. P. 6.25 (c)) using the product

$$\therefore \frac{T - T_\infty}{T_i - T_\infty} = \frac{T - T_\infty}{T_o - T_\infty} \cdot \frac{T_o - T_\infty}{T_i - T_\infty} \text{ the temperatures are calculated as}$$

155.81, 137.07 and 131.72°C respectively.

For 0.03 m (sample calculation)

$$\frac{T - 30}{310 - 30} = 0.478 \times 0.94 = 0.44932$$

$$\therefore T = 155.81^\circ\text{C}$$

To calculate the total heat flow, the heat flow chart is to be used. This requires the parameter

$$\frac{h^2\alpha\tau}{k^2} = \frac{450^2 \times 45 \times 8 \times 60}{7800 \times 465 \times 45 \times 45} = 0.596$$

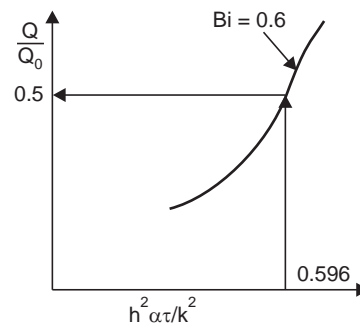


Fig. P.6.25 (d)

Entering the chart as schematically shown in Fig. P. 6.25 (d) at this value and reading on $hL/k = 0.6$, Q/Q_o is 0.5.

$$\begin{aligned} \therefore Q &= 0.5 \times Q_o = 0.5 \times 7800 \times 465 \times 0.06 (310 - 30) \\ &= 30.46 \times 10^6 \text{ J/m}^2 \end{aligned}$$

$$\begin{aligned} \text{Instantaneous flow at the surface} &= hA(T_s - T_\infty) \\ &= 450 \times 1 \times (131.71 - 30) = 4.58 \times 10^4 \text{ W/m}^2 \end{aligned}$$

Problem 6.26: A large plate of thickness 0.2 m initially at 40°C is exposed to hot furnace gases at 530°C with a convection coefficient of 420 W/m²K. The density, specific heat and thermal conductivity of the material are 2700 kg/m³, 1110 J/kgK and 218 W/mK. Determine the time required for the centre plane to reach 410°C. At this instant calculate the surface temperature and the temperature at 0.02 m depth from surface. Also calculate the heat flow upto the time. If the surface is maintained at 530°C with $h \rightarrow \infty$, then determine the centre temperature after 150 seconds.

Solution: The infinite slab model is applicable and Heisler Charts are used as in problem 6.25. The entry points and parameter to be read are reversed. In this case the centre temperature ratio is known. Enter the chart corresponding to this value.

$$\frac{hL}{k} = \frac{420 \times 0.1}{218} = 0.193$$

(This also indicates that lumped parameter model cannot be used)

The procedure is shown in Fig. P. 6.26.

$$\alpha = \frac{k}{\rho c} = \frac{218}{2700 \times 1110} = 72.74 \times 10^{-6}$$

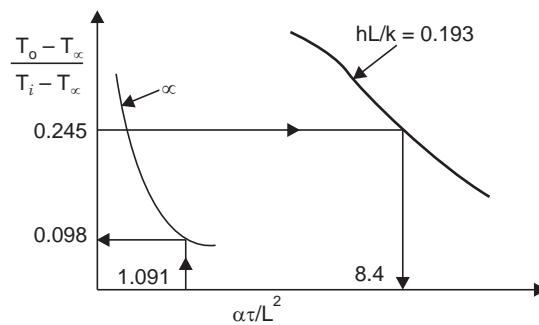


Fig. P. 6.26

$$\frac{T_o - T_\infty}{T_i - T_\infty} = \frac{410 - 530}{40 - 530} = 0.245$$

Entering the chart at 0.245 on the y axis $\alpha \tau / L^2$ is read as 8.4 (Fig. P. 6.26)

$$\therefore \tau = 8.4 \times L^2 / \alpha = \frac{8.4 \times 0.1^2}{72.74 \times 10^{-6}} = 1155 \text{ sec.}$$

(ii) To determine temperature at surface and 0.02 from surface $\frac{x}{L} = 1$ and 0.8.

Reading from location chart $(T - T_\infty)/(T_o - T_\infty)$ are obtained as 0.91 and 0.95. \therefore These temperatures are 420.8 and 416°C (as in problem 6.25)

(iii) The total heat flow is calculated as in problem P.6.25, using the parameter $h^2 \alpha \tau/k^2$ calculated as 0.30 and $hL/k = 0.193$ reading from the chart,

$$\begin{aligned}\frac{Q}{Q_o} &= 0.72 \quad \therefore Q = 0.72 \times 0.1 \times 2700 \times 1110 (530 - 40) \\ &= 105.7 \times 10^6 \text{ J/m}^2\end{aligned}$$

(iv) Reading the centre temperature chart at $hL/k = \infty$, at the time of 150 s the Fourier number is $72.74 \times 10^{-6} \times 150/0.1^2 = 1.091$

$$Fo = 1.091, \quad \frac{T_o - 530}{40 - 530} = 0.098, \quad \therefore T_o = 481.98^\circ\text{C. (rapid heating)}$$

Problem 6.27: A vegetable piece in the form of a slab of thickness of 6 cm at 8°C is allowed to warm up in air at 35°C with a convection coefficient of 11 W/m²K. Determine the time required for the centre to reach 22°C. The material properties are Thermal diffusivity = 1.42×10^{-7} m²/s. Thermal conductivity = 0.5978 W/mK, density = 1000 kg/m³, specific heat = 4218 J/kgK. Assume one dimensional flow and exposure on both sides.

Solution: Using infinite slab model and Heisler Chart for slab and entering the chart at $(22 - 35)/(8 - 35) = 0.4815$ and reading on $hL/k = 11 \times 0.03/0.5978 = 0.552$, Fourier number is read as 1.75 (Refer Fig. P. 6.25 (a), (b), (c), (d))

$$\therefore \tau = 1.75 \times 0.03^2/1.42 \times 10^{-7} = 11091 \text{ seconds or 3.08 hours.}$$

The heat transfer can be determined using the parameter $h^2 \alpha \tau/k^2 = 0.532$ (as calculated). Entering the chart at this value and reading against $hL/k = 0.552$, $Q/Q_o = 0.6$.

Assuming a slab 20 × 20 cm area, thickness being 0.03 m

$$Q = 0.6 \times 0.2 \times 0.2 \times 1000 \times 4218 \times 0.03 (8 - 35) \times 2 = 164000 \text{ J or 164 kJ}$$

Note: For heating up under free convection it takes a long time.

Problem 6.28: A plane wall with material properties as follows is 0.12 m thick. Density = 7800 kg/m³. Specific heat 0.465 kJ/kgK. Thermal conductivity = 45 W/mK. It is at 420°C when the surroundings are at 20°C. It is proposed to allow it to cool by convection to the surroundings with convective heat transfer coefficient of 450 W/m²K. If 50% of energy above the surroundings is to be dissipated, how long should the wall be exposed.

Solution:

In this problem $Q/Q_o = 0.5$, (see Fig. P. 6.25 (d))

$$\text{The parameters are } \frac{hL}{k} = \frac{450 \times 0.06}{45} = 0.6$$

and $h^2 \alpha \tau/k^2$ is to be determined.

So entering the heat flow chart at $Q/Q_o = 0.5$ and cutting the $hL/k = 0.6$ line $h^2 \alpha \tau/k^2$ is read as 0.596.

$$\therefore 450^2 \times \frac{45}{7800 \times 465} \times \tau \times \frac{1}{45^2} = 0.596$$

$$\therefore \tau = 480 \text{ seconds}$$

Long Cylinder

Problem 6.29: To heat treat alloy rods, these are placed in a gas stream at 800°C with a convective heat transfer coefficient of $120\text{ W/m}^2\text{K}$. The rod is of 19 mm radius and is at 30°C to start with. Determine the time required for the rod centre line to reach 610°C . Density = 7978 kg/m^3 . Specific heat = 0.585 kJ/kgK , thermal conductivity = 21.9 W/mK . Also determine at this time surface and mid radius temperatures and the heat flow. (P. 219 and 220)

Solution: This is a long rod with surface convection. The Heisler Charts for cylinders are to be used.

$$\frac{T_o - T_\infty}{T_i - T_\infty} = \frac{610 - 800}{30 - 800} = 0.247, \quad hR/k = 120 \times 0.019/21.9 = 0.104$$

As illustrated in Fig. P. 6.29 entering the chart on the temperature ratio side at 0.247 and cutting the Biot number curve 0.104 (interpolated) $\alpha\tau/R^2$ or Fourier number is read as 7.4.

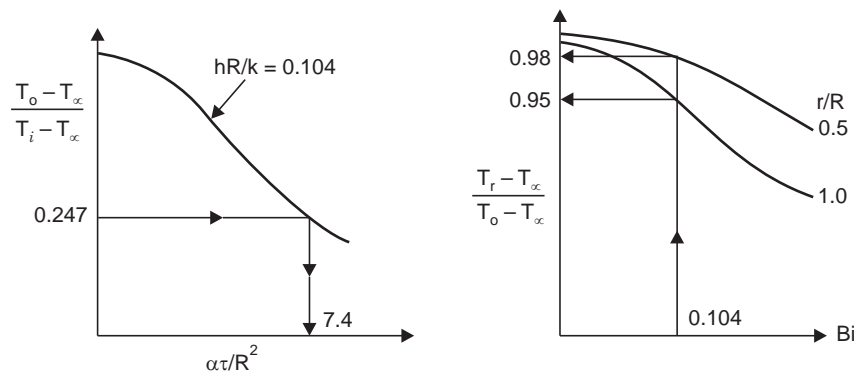


Fig. P. 6.29 (a), (b)

$$\tau = \frac{7.4 \times R^2}{\alpha} = \frac{7.4 \times 0.019^2}{(21.9 / 7978 \times 585)}$$

$$\therefore \quad = \mathbf{569.3 \text{ seconds}}$$

The surface and mid radius temperatures are read using location chart as illustrated and entering at $Bi = 0.104$

$$\frac{T - T_\infty}{T_o - T_\infty} \text{ is read as } 0.95 \text{ \& } 0.98 \text{ for } r/R = 1 \text{ and } 0.5 \text{ (Fig. P. 6.30 (b))}$$

$$\therefore \quad \mathbf{T_s = 619.5^\circ\text{C} \quad T_{0.5} = 613.8^\circ\text{C}}$$

The heat flow is determined using the parameter $h^2 \alpha\tau/k^2 = 0.0802$ and entering the chart of this value and reading at $Bi = 0.104$. $Q/Q_o = 0.75$ (chart p. 223)

$$\begin{aligned} \therefore \quad \mathbf{Q} &= 0.75 \rho V c (T_i - T_\infty) = 0.75 \times 7978 \times \pi \times \frac{0.019^2}{4} \times 585 \\ &= \mathbf{3.06 \times 10^6 \text{ J/m length.}} \end{aligned}$$

Problem 6.30: A metallic rod of 25 mm radius initially at 800°C (density = 3970 kg/m³, conductivity = 10.5 W/mK, specific heat = 1225 J/kgK) is exposed to cooling fluid at 300°C with $h = 1500 \text{ W/m}^2\text{K}$. Determine the bulk average temperature, the center, mid radius and surface temperatures, after 40 seconds.

Solution: This is a long rod with convection boundary problem and Heisler Charts for cylinders should be used (for use of charts ref problem 6.25 and 6.29). The Parameters are:

$$\frac{hR}{k} = \frac{1500 \times 0.025}{10.5} = 3.57$$

$$\frac{\alpha\tau}{R^2} = \frac{10.5 \times 40}{3970 \times 1225 \times 0.025^2} = 0.1382$$

$$\frac{h^2\alpha\tau}{k^2} = \frac{1500^2 \times 10.5 \times 40}{3970 \times 1225 \times 10.5^2} = 1.762$$

Entering the center temperature chart at 0.1382 and reading against $hR/k = 3.57$, the center temperature ratio is 0.85

$$\text{i.e.,} \quad \frac{T_o - T_\infty}{T_i - T_\infty} = 0.85 \quad \therefore \quad T_o = 725^\circ\text{C}$$

For the mid radius and surface temperatures, the location charts are used. Entering at $hR/k = 3.57$, and reading on $r/R = 1$ and $r/R = 0.5$, the temperature ratios are 0.30 and 0.80

$$\therefore \quad T_s = 428^\circ\text{C} \text{ and } T_{0.5} = 640^\circ\text{C}.$$

To determine the bulk average temperature, the heat loss has to be calculated. Entering the heat flow chart at $h^2\alpha\tau/k^2 = 1.762$, Q/Q_o is read as 0.48.

The heat loss/heat capacity provides the average temperature drop which is directly equal to the product of Q/Q_o and the temperature difference at the beginning.

$$\therefore \text{Average temperature after exposure} = T_i - 0.48 (T_i - T_\infty) = 800 - 0.48 (800 - 300) = 560^\circ\text{C}$$

Problem 6.31: A cylindrical piece of pudding is to be cooked in 802 seconds when exposed to convection at 120°C with a convective heat transfer coefficient of 68.6 W/m²K. It is specified as cooked if the centre line temperature reaches 98°C. The initial temperature is 25°C. Using the following properties determine the maximum radius of the piece, density = 840 kg/m³, specific heat 3400 J/kgK, Thermal conductivity = 1.2 W/mK.

Solution: As length is not specified long cylinder configuration is assumed. The centre temperature ratio is known but, both parameters involve (hR/k and $\alpha\tau/R^2$), the radius value.

Hence a trial solution has to be attempted. The centre temperature ratio = $\frac{98 - 120}{25 - 120} = 0.232$.

The chart is read as illustrated in Fig. P. 6.31. Y-axis value is known 0.232. As radius is not specified, the Fourier number is read for several values of Biot number. The values are tabulated below.

hR/k	=	20	10	5	1	0.5
$\alpha\tau/R^2$	=	0.38	0.42	0.49	1.1	2.2
R, m	=	0.35	0.175	0.0875	0.0175	0.00875

For these Biot numbers, as h and k are known the R value is calculated. As Fourier number is available the time can be calculated. The times are tabulated below.

$$\text{Time, } s = \quad 0.11 \times 10^6 \quad 30.6 \times 10^3 \quad 8.9 \times 10^3 \quad 802 \quad 401$$

$$\alpha = \frac{1.2}{840 \times 3400} = 0.42 \times 10^{-6}$$

Sample calculation: For value of Biot number 20.

$$Fo = 0.38 = \frac{0.42 \times 10^{-6} \times \tau}{0.35^2} \therefore \tau = 0.11 \times 10^6 \text{ sec}$$

As can be seen, the time requirement is satisfied for radius of 0.0175 m or diameter of 35 mm.

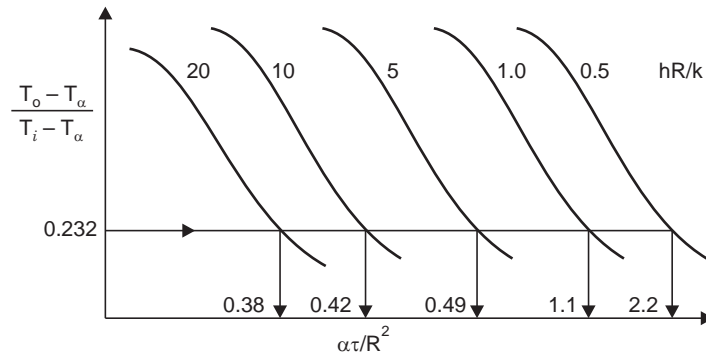


Fig. P. 6.31

Problem 6.32: A long cylinder of 0.2 m dia initially at 600°C is exposed to a fluid at 100°C with a convection coefficient of 76.0 W/m²K. If the material properties are density = 7835 kg/m³, specific heat = 485 J/kgK and thermal conductivity = 19.0 W/mK. Plot for time periods of 10, 20, 30 and 40 minutes, the temperature profile. The problem will help visualise the temperature variation with time.

Solution:

$$\frac{hR}{k} = \frac{76 \times 0.1}{19} = 0.4$$

Fourier Number for 10, 20, 30 and 40 minutes are calculated as

$$\frac{\alpha \tau}{R^2} = \frac{19 \times \tau}{0.1^2 \times 7835 \times 485} = 0.30, 0.6, 0.9, 1.2$$

For plotting, the temperature at various radius should be calculated.

$\frac{r}{R}$ values used are 0.4, 0.6, 0.8 and 1.0

Using the center temperature chart, as illustrated in Fig. P. 6.32 (a) the center temperature ratios are read at $\frac{hR}{k} = 0.4$.

Time min	10	20	30	40
Fo	0.3	0.6	0.9	1.2
Temp. ratio	0.88	0.712	0.57	0.47

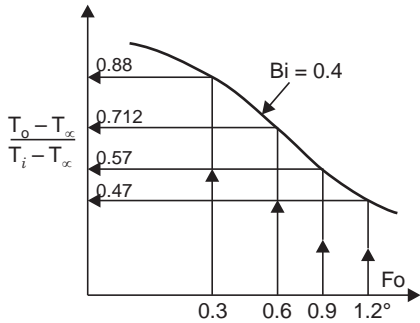


Fig. P. 6.32 (a)

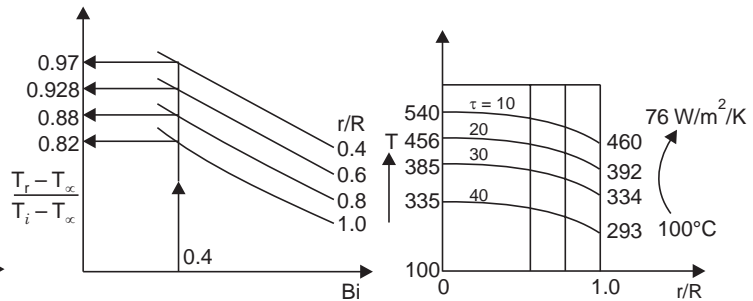


Fig. P. 6.32 (b), (c)

The location temperature chart is read at $hR/k = 0.4$ and for $r/R = 0.4, 0.6, 0.8,$ and 1 are $0.97, 0.928, 0.88$ and 0.82 as schematically shown in Fig. P. 6.32 (b).

The temperatures are tabulated as below: sample calculation of centre temperature after 10 minutes and shown below:

$$\frac{T_o - T_\infty}{T_i - T_\infty} = 0.88 = \frac{T_o - 100}{600 - 100} \quad \therefore T_o = 540^\circ\text{C}$$

Temperature at $r/R = 0.4$, after 10 minutes

$$\frac{T - T_\infty}{T_i - T_\infty} = 0.88 \times 0.97 \quad \therefore T = 526.8^\circ\text{C}$$

The results from table is shown plotted in Fig. P. 6.32 (c)

Time Min	Centre	$\frac{r}{R} = 0.4$	0.6	0.8	1.0
10	540	526.8	508.3	487.2	460.8
20	456	445.3	430.4	413.2	391.9
30	385	376.5	364.5	350.8	333.7
40	335	328	318	306.8	292.7

Problem 6.33: In problem 6.32 determine the time when the temperature at the surface reaches 350°C .

Solution: This requires the use of the charts in the reverse order. The location chart is used first. The reading is 0.82 (at $Bi = 0.4$, at surface $r/R = 1$). See Fig. P. 6.32(b)

$$\frac{350 - 100}{600 - 100} = \frac{T_o - T_\infty}{T_i - T_\infty} \cdot \frac{T - T_\infty}{T_o - T_\infty}$$

$$0.5 = 0.82 \cdot \frac{T_0 - T_\infty}{T_i - T_\infty}$$

$$\therefore \frac{T_0 - T_\infty}{T_i - T_\infty} = 0.6098$$

Now entering the centre temperature chart at this value, Fourier number read as 0.82

$$\frac{\alpha\tau}{R^2} = 0.82 \quad \therefore \tau = \frac{0.82 \times R}{\alpha} = \frac{0.82 \times 0.1 \times 0.1 \times 7835 \times 485}{19}$$

$$= \mathbf{1640 \text{ seconds or } 27.3 \text{ minutes.}}$$

Problem 6.34: In problem 6.32 if the surface is suddenly brought to 100°C and maintained determine the temperatures after 20 minutes at the center and 0.6 R radius.

Solution: This is a special case where $\frac{hR}{k} = \infty$

\therefore Using center temperature chart, and reading on line $hR/k = \infty$, $\alpha\tau/R^2 = 0.6$

Temperature ratio is = 0.06 (as read from chart page 219)

$$\therefore T_0 = 0.06 \times 500 + 100 = \mathbf{130^\circ\text{C}}$$

The location temperature ratio as read from chart for $r/R = 0.6$ is 0.54.

$$\therefore \mathbf{T = 0.06 \times 0.54 \times 500 + 100 = 116.2^\circ\text{C.}}$$

Sphere

Problem 6.35: A sphere of 32 mm diameter made of material with density = 400 kg/m³, specific heat = 1600 J/kgK and thermal conductivity = 1.7 W/mK initially at 800°C is suddenly exposed to convection over the surface to surroundings at 300°C with a convective heat transfer coefficient of 80 W/m²K. Determine the time required for the centre to reach 470°C and also determine the surface and mid radius temperatures and the total heat transfer and the instantaneous rate of heat transfer at the surface. If the sphere is removed from the surrounding and kept insulated from the instant estimate its equilibrium temperature. Sketch the temperature variation over the solid at various times during the cooling.

Solution: This problem is under transient heat conduction from a sphere exposed suddenly to convection. Use of Heisler Chart is necessary for the solution. (pages 221, 222 and 223)

The parameters are:

$$\text{Biot number} = \frac{hR}{k} = \frac{80 \times 0.016}{1.7} = 0.753$$

$$\text{Centre temperature ratio} = \frac{470 - 300}{800 - 300} = 0.34$$

Entering the centre temperature chart at this value as illustrated in Fig. P.6.35 (a) the Fourier number is read as 0.68.

$$\therefore \frac{\alpha\tau}{R^2} = 0.68 \quad \therefore \tau = \frac{0.68 \times R^2}{\alpha}$$

$$= 0.68 \times 0.016^2 / (1.7/400 \times 1600)$$

$$= \mathbf{65.54 \text{ seconds}}$$

To determine the surface and mid radius temperatures, location temperature chart is to be used. Entering the chart as illustrated in Fig. P. 6.35 (b) at Biot number = 0.753, and reading at $r/R = 0.5$ and 1.0.

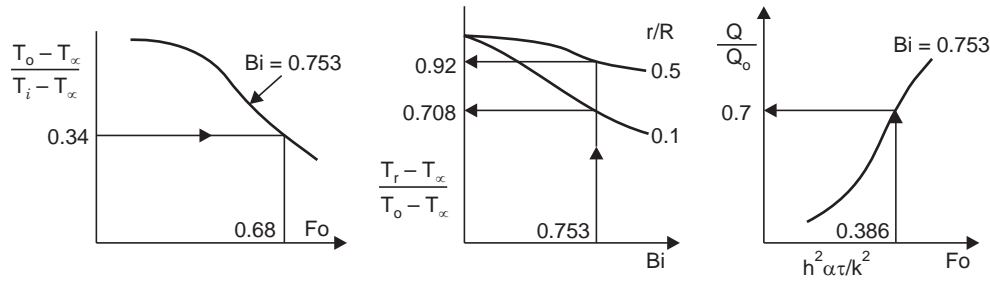


Fig. P. 6.35 (a), (b)

Fig. P. 6.35 (c)

The values obtained are 0.92 and 0.708.

∴ mid radius temperature:

$$\frac{T - T_\infty}{T_i - T_\infty} = \frac{T_o - T_\infty}{T_i - T_\infty} \cdot \frac{T - T_\infty}{T_o - T_\infty}$$

$$\frac{T - 300}{800 - 300} = 0.34 \times 0.92 \quad \therefore T = 456.4^\circ\text{C}$$

Surface temperature:

$$\frac{T_s - 300}{800 - 300} = 0.34 \times 0.708 \quad \therefore T_s = 420.4^\circ\text{C}$$

In order to determine the heat flow, heat flow chart is to be used. The parameter required is

$$\frac{h^2 \alpha \tau}{k^2} = \frac{80 \times 80 \times 1.7 \times 65.54}{400 \times 1600 \times 1.7^2} = 0.386$$

Entering the chart at this value and reading against biot number = 0.753 Q/Q_o is read as 0.7 as illustrated in Fig. P. 6.35 (c).

$$\therefore Q = 0.7 \times \frac{4}{3} \times \pi \times 0.016^3 \times 400 \times 1600 \times (800 - 300) = 3843\text{ J}$$

Instantaneous heat flow rate $= hA(T_s - T_\infty)$
 $= 80 \times 4 \times \pi \times 0.016^2 (420.4 - 300) = 31\text{ W}$

The heat removed = 3843 J.

The average temperature drop due to this heat removal $= \rho Vc \times \Delta T$

$$\therefore \Delta T \times 400 \times \frac{4}{3} \pi r^3 \times 1600 = 3843$$

$$\therefore \Delta T = 350^\circ\text{C}.$$

$$\therefore \text{Average temperature} = 800 - 350 = 450^\circ\text{C}.$$

Problem 6.36: Ice balls of 10 mm dia at -32°C are exposed to an air current at 15°C with a convection heat transfer coefficient of $200\text{ W/m}^2\text{K}$. Determine the time when the surface layer will begin to melt. Also determine the center, midsurface temperatures and heat removed. Use the following property values, density = 920 kg/m^3 , specific heat 2040 J/kgK . Thermal conductivity = 2.00 W/mK .

Solution: As the surface temperatures is specified (0°C) the first chart to be used will be the location chart. Then the center temperature chart is to be used. Melting occurs when 0°C is reached at the surface. The parameters are: hR/k and $r/R = 1$

$$hR/k = \frac{200 \times 0.005}{2} = 0.5$$

Entering the location chart at this value and reading on $r/R = 1$

$$\frac{T - T_{\infty}}{T_o - T_{\infty}} \text{ is read as } 0.78 \text{ (Similar to Fig. P. 6.35(b))}$$

$$\begin{aligned} \text{Using} \quad \frac{T - T_{\infty}}{T_i - T_{\infty}} &= \frac{T_o - T_{\infty}}{T_i - T_{\infty}} \frac{T - T_{\infty}}{T_o - T_{\infty}} \\ \frac{0 - 15}{-32 - 15} &= 0.319 = \frac{T_o - T_{\infty}}{T_i - T_{\infty}} \times 0.78 \\ \therefore \frac{T_o - T_{\infty}}{T_i - T_{\infty}} &= 0.4092 \end{aligned}$$

Entering the center temperature chart (as illustrated in Fig. P. 6.35) at this value and reading against $hR/k = 0.5$, Fourier number is read as 0.76.

$$\therefore \frac{\alpha\tau}{R^2} = 0.76 \quad \therefore \tau = \frac{0.76 \times 0.005^2 \times 2040 \times 920}{2.0} = 17.83 \text{ s}$$

The time to reach 0°C at surface = **17.83 sec.**

In order to determine the mid radius plane temperature, the location chart is entered at $hR/k = 0.5$, and reading against $r/R = 0.5$ the ratio is read as 0.942, using it center temperature ratio is calculated,

$$\therefore \frac{T - T_{\infty}}{T_i - T_{\infty}} = \frac{T - 15}{-32 - 15} = 0.4092 \times 0.942 \quad \therefore T = -3.12^{\circ}\text{C}$$

$$\text{For center temperature } \frac{T_o - T_{\infty}}{T_i - T_{\infty}} = 0.4092 \text{ (already read)}$$

$$\therefore T_o = -4.23^{\circ}\text{C}$$

To determine the heat flow:

$$\frac{h^2\alpha\tau}{k^2} \text{ is calculated} = \frac{200^2 \times 2 \times 17.83}{920 \times 2040 \times 2^2} = 0.19$$

Entering the heat flow chart at this value and reading against $Bi = 0.5$, $Q/Q_o = 0.65$

$$\therefore Q = 0.65 \times \frac{4}{3} \times \pi \times 0.005^3 \times 920 \times 2040 (-32 - 15) = -30.02 \text{ J.}$$

Problem 6.37: Steel balls with density of 7900 kg/m^3 , specific heat of 582 J/kgK and thermal conductivity of 24.0 W/mK initially at 800°C are cooled in an oil bath at 100°C , with a convection heat transfer coefficient of $400 \text{ W/m}^2\text{K}$. If the centre temperature after 103.5 seconds was 450°C , determine the radius. Also determine the surface temperature and the percentage of internal energy removed (above the bath temperature).

Solution: The radius is not specified. The parameter Biot number and Fourier number both involve the unknown quantity. So trial solution is necessary.

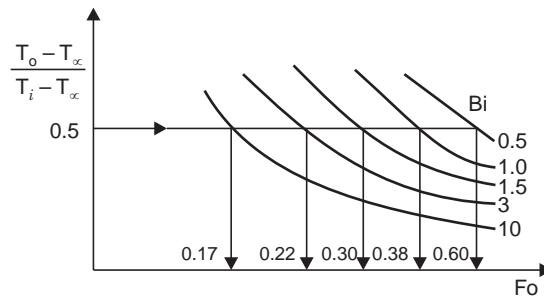


Fig. P. 6.37

Given,
$$\frac{T_o - T_\infty}{T_i - T_\infty} = \frac{450 - 100}{800 - 100} = \frac{350}{700} = 0.5$$

Entering the centre temperature chart as illustrated in Fig. P.6.37 at this value, Fourier numbers are read for various values of Biot numbers and are tabulated below.

Calculating radius from Biot number and using the radius and the Fourier number the time is calculated and tabulated.

<i>Bi</i>	10	3	1.5	1	0.5
<i>Fo</i>	0.17	0.22	0.30	0.38	0.6
<i>R</i>	0.6	0.18	0.09	0.06	0.03
τ, s	11726	1365	465	262	103.5

The $Bi = 0.5$ and $Fo = 0.60$ the time is 103.5 seconds as required \therefore Radius of the steel balls = 0.03 m.

The surface temperature is determined using the location chart. $r/R = 1$ and temperature ratio is read entering at $Bi = 0.5$ against $r/R = 1$, as 0.78

\therefore Surface temperature is given by

$$\frac{T - 100}{800 - 100} = 0.5 \times 0.78 \quad \therefore T = 373^\circ\text{C}$$

To determine the heat flow:

$$h^2 \alpha \tau / k^2 \text{ is determined as } \frac{400 \times 400 \times 24 \times 103.5}{7900 \times 582 \times 24 \times 24} = 0.1475$$

Entering the heat flow chart at this value Q/Q_o is read against $Bi = 0.5$ as **0.7**.

\therefore Percentage internal energy removed (above the surroundings) is **70.0%**.

Problem 6.38: Determine the time required to remove 50% of internal energy above the surroundings at 30°C from a sphere of 16 cm dia at 650°C suddenly exposed to surroundings at 30°C with a convection coefficient of 800 W/m²K. The property values are: Thermal conductivity = 50 W/mK, specific heat = 450 J/kgK, thermal diffusivity = 2 × 10⁻⁵ m²/s. Also determine the centre and surface temperatures at this instant. How much more time is required to remove 30% more energy.

Solution: Biot number = $hR/k = \frac{800 \times 0.08}{50} = 1.28$

The heat flow chart is used and the parameter Q/Q_o is used to enter the chart and the value of $h^2 \alpha \tau / k^2$ is read against the Biot number 1.28.

The value is 0.35.

$$\therefore \frac{h^2 \alpha \tau}{k^2} = 0.35 \quad \therefore \tau = \frac{0.35 \times 50 \times 50}{800 \times 800 \times 2 \times 10^{-5}} = \mathbf{68.35 \text{ seconds}}$$

The value $Q/Q_o = 0.8$ is entered and $h^2 \alpha \tau / k^2$ is read as 1.0

$$\therefore \text{The time is } \frac{68.35 \times 1.0}{0.35} = \mathbf{195.35 \text{ seconds}}$$

Additional time required is 195.29 – 68.35 = 124.94 s

Almost twice more. This is due to the continuous reduction in temperature difference.

To determine the temperature fourier number is calculated and the center temperature chart is entered at this value and the temperature ratio is read against $Bi = 1.28$.

$$Fo = \frac{\alpha \tau}{R^2} = 2 \times 10^{-5} \times 68.35 / 0.08^2 = 0.214$$

The value read is 0.73

$$\frac{T_o - T_\infty}{T_i - T_\infty} = 0.73 \quad \therefore T_o = 482.6^\circ\text{C}$$

For the surface temperature, the location chart is read against $r/R = 1$, entering at $Bi = 1.28$. The ratio read is 0.57

$$\therefore \frac{T_s - T_\infty}{T_i - T_\infty} = \frac{T_s - 30}{650 - 30} = 0.73 \times 0.57 \quad \therefore T_s = \mathbf{280^\circ\text{C}}.$$

Problem 6.39: A steel sphere of radius 0.1 m with density = 7900 kg/m³, specific heat = 586 J/kgK and thermal conductivity of 40.0 W/mK initially at 100°C is exposed to convection at 1000°C with convective heat transfer coefficient of 400 W/m²K. Determine the temperatures at $r/R = 0, 0.4, 0.6, 0.8$ locations at 8, 16, 24 and 32 minutes times. Plot the temperature to scale.

Solution: The Fourier number are calculated for the various terms specified. The center temperature ratios are found using the center temperature chart entering at the Fourier numbers corresponding to the specified Times (Fig. P. 6.39 (a)). Then location chart is used at the Biot number for the given radius ratios (Fig. P. 6.39 (b)). These are tabulated.

$$\text{Biot Number} = \frac{hR}{k} = \frac{400 \times 0.1}{40} = 1.0, \alpha = \frac{k}{\rho c} = \frac{40}{7900 \times 586} = 8.64 \times 10^{-6}$$

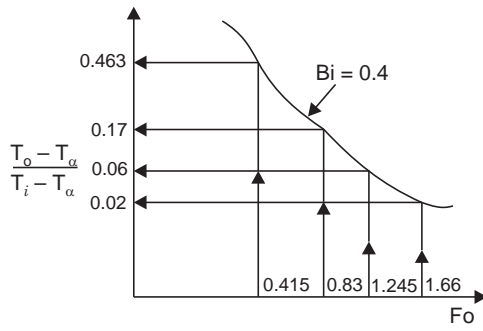


Fig. P.6.39 (a)

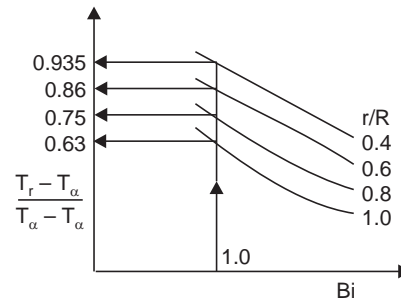


Fig. P.6.39 (b)

Time min	8	16	24	32
Fo, ($\alpha t/R^2$)	0.415	0.83	1.245	1.66
Centre temp. ratio	0.463	0.17	0.06	0.02

Location temperature ratios read are:

r/R	0	0.4	0.6	0.8	1.0
Modifier	1	0.935	0.86	0.75	0.63

Center temp. ratio $\frac{T_o - T_\infty}{T_i - T_\infty} = 0.463$

$$\frac{T_o - 1000}{100 - 1000} = 0.463 \quad \therefore T_o = 583.3^\circ\text{C}$$

To find surface: temperature;

$$\frac{T - T_\infty}{T_i - T_\infty} = \frac{T - 1000}{100 - 1000} = 0.463 \times 0.63 \quad T_s = 737.5^\circ\text{C}$$

The calculated temperatures are tabulated below and shown plotted in Fig. P. 6.39 (c)

Time	Location, r/R				
	0	0.4	0.6	0.8	1
8	583.3	610.4	641.6	687.5	737.5
16	847	857	868.4	885.3	903.6
24	946	949.5	953.6	959.5	966
32	982	983.2	984.5	986.5	988.7

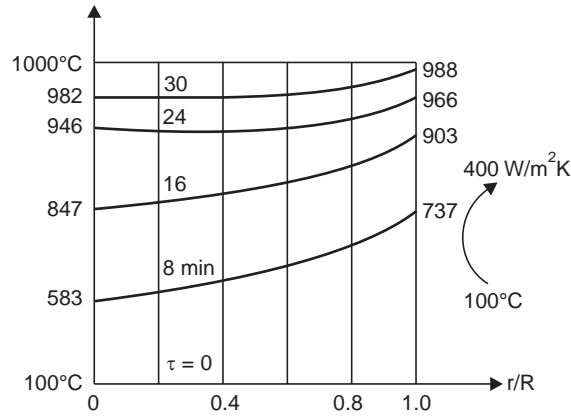


Fig. P. 6.39 (c)

Problem 6.40: A brinjal in the shape of a sphere of radius 5 cm initially at 25°C is cooked in water at 100°C with convection coefficient of 240 W/m²K. Taking the properties as below calculate the time for the temperature at the centre to reach 40, 50, 60, 70 and 80°C density = 1100 kg/m³, specific heat = 4100 J/kgK, Thermal conductivity = 0.6 W/mK.

Solution: The centre temperature ratios and also the Biot number are specified. So the corresponding Fourier numbers are read from the centre temperature chart (Fig. P. 6.40).

$$Bi = \frac{hR}{k} = \frac{240 \times 0.05}{0.6} = 20, \quad \alpha = \frac{0.6}{1100 \times 4100} = 0.133 \times 10^{-6} \text{ m}^2/\text{s}$$

Center Temp. °C	40	50	60	70	80
Temperature ratio ($T_o - T_\infty$)/($T_i - T_\infty$)	0.8	0.67	0.53	0.4	0.267
$Fo, \alpha\tau/R^2$ (from chart)	0.09 (extrapolated)	0.118	0.145	0.18	0.228
Time, s	1691	2217	2725	3383	4245

Sample calculation for 40°C, centre temperature ratio is

$$\frac{T_o - T_\infty}{T_i - T_\infty} = \frac{40 - 100}{25 - 100} = 0.8$$

Fourier Number read is 0.09

$$\therefore 0.09 = \alpha\tau/R^2 = 0.133 \times 10^{-6} \times \tau \times \frac{1}{0.05^2} \quad \therefore \tau = 1691.25 \text{ sec}$$

Obviously cooking as a whole piece is not desirable as it may take more than an hour.

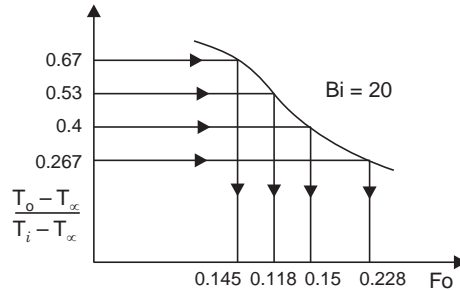


Fig. P. 6.40

Problem 6.41: A long steel billet of 35×35 cm section initially at 35° is exposed to 800°C gases with $h = 110 \text{ W/m}^2\text{K}$ in a furnace. Determine the time needed for the centre to reach 650°C . Also determine the temperatures at the points 1 and 3, 4 shown in Fig. P. 6.41 at this time. The properties are: density = 7833 kg/m^3 , specific heat: 465 J/kgK . Thermal conductivity: 41.5 W/mK . Also calculate the heat input per 1 m length.

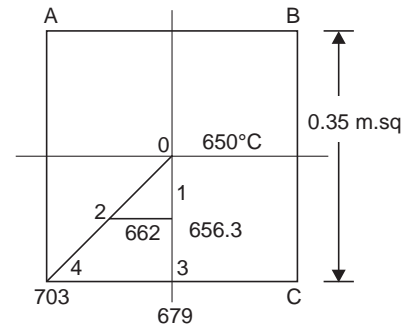


Fig. P. 6.41

Solution: The billet is exposed on four faces to convection. Hence a product solution with two slabs of $2L = 0.35 \text{ m}$ or $L = 0.175 \text{ m}$ is to be used, using Heisler charts.

$$\frac{hL}{k} = \frac{110 \times 0.35}{2 \times 41.5} = 0.464$$

Given $\frac{T - T_\infty}{T_i - T_\infty} = \frac{650 - 800}{35 - 800} = 0.196$. This is the actual value.

The solution for the centre temperature ratio is the product of the two temperature ratios taking one infinite slab of $AD - BC$ and another of $AB - CD$. In this case both slabs are identical. So the solution for one slab is

$$\frac{T - T_\infty}{T_i - T_\infty} = \sqrt{0.196} = 0.443$$

Entering the chart at this value and reading on $Bi = 0.464$ the Fourier number $\alpha\tau/L^2 = 2.2$.

$$\tau = \frac{2.2 \times (0.35 / 2)^2}{41.5} \times 7833 \times 465 = 5913 \text{ sec} = 1 \text{ hour } 38.6 \text{ min}$$

(Note for rectangular shapes, time for a given center temperature cannot be directly determined. Trial solution is necessary. The trial is to be in terms of assuming several time intervals and then finding the center temperature to obtain a match.)

To obtain the temperature at point 1.

The ratio is product of mid temperature of one slab and $x/L = 0.5$ for the other slab. For $x/L = 0.5$, the location modifier is obtained for $hL/k = 0.464$ and $x/L = 0.5$.

Using the location chart it is found as = 0.957, \therefore Temperature ratio = $0.443 \times (0.957 \times 0.443)$

$\therefore T_1 = 656.3^\circ\text{C}$.

For **point 3, 4** surface temperature ratio is also required: This ratio from location chart for $x/L = 1$ is 0.803.

∴ For **point 3**, mid plane of one and surface of the second.

∴ Temperature ratio = $0.443 \times 0.443 \times 0.803 = 0.1576$

∴ $T_3 = 679.4^\circ\text{C}$

For **point 4**, it is the surface of both:

∴ Temperature ratio = $0.443 \times 0.443 \times 0.803 \times 0.803 = 0.12654$

∴ $T_4 = 703.2^\circ\text{C}$

The corner temperature is highest as it is exposed on both sides to heating.

The heat flow is determined

Using $h^2 \alpha \tau / k^2 = \frac{110^2 \times 41.5}{7833 \times 465} \times \frac{5913}{41.5^2} = 0.473$ and $hL/k = 0.464$

$$\frac{Q}{Q_0} = 0.78 \quad \text{From Table 6.1}$$

$$\begin{aligned} \frac{Q}{Q_0} &= \left[\frac{Q}{Q_0} \right]_i + \left[\frac{Q}{Q_0} \right]_2 \left[1 - \left(\frac{Q}{Q_0} \right)_1 \right] \\ &= 0.78 + 0.78 \times 0.22 = 0.9516 \end{aligned}$$

∴ $Q = 0.9516 \times 0.35 \times 0.35 \times 1 \times 7833 \times 465 (800 - 35)$
 $= 324.8 \times 10^6 \text{ J per m length.}$

Problem 6.42: A refractory brick of size $6 \text{ cm} \times 9 \text{ cm} \times 20 \text{ cm}$ at 1400°C is exposed suddenly to convection at 30°C with $h = 60 \text{ W/m}^2\text{K}$. Determine the center temperature, corner temperatures and temperature at the centre point of all faces after 45 minutes.

Solution: Property values are $k = 1 \text{ W/mK}$, density = 2645 kg/m^3 , Specific heat = 960 J/kgK .

The solid can be considered as a combination of three infinite slabs of

(i) $2L = 6 \text{ cm}$, (ii) $2L = 9 \text{ cm}$ & (iii) $2L = 20 \text{ cm}$

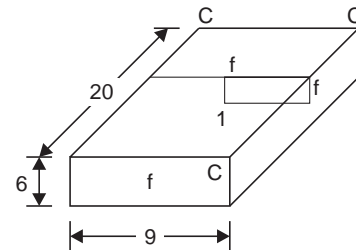


Fig. P. 6.42 (a).

L, m	0.03	0.045	0.1
hL/k	1.8	2.7	6
$\alpha\tau/L^2$	1.182	0.525	1063
Centre temperature ratio, from chart	0.33	0.6	0.96
Location Temp. ratio	0.5	0.4	0.22

For 0.03 value $hL/k = 60 \times 0.03/1 = 1.8$

Using the centre temperature chart the temperature ratios are read as illustrated in (Fig. P. 6.42 (b)) and tabulated

∴ The centre temperature ratio is

$$\frac{\theta}{\theta_i} = \left. \frac{\theta}{\theta_i} \right|_1 \times \left. \frac{\theta}{\theta_i} \right|_2 \times \left. \frac{\theta}{\theta_i} \right|_3$$

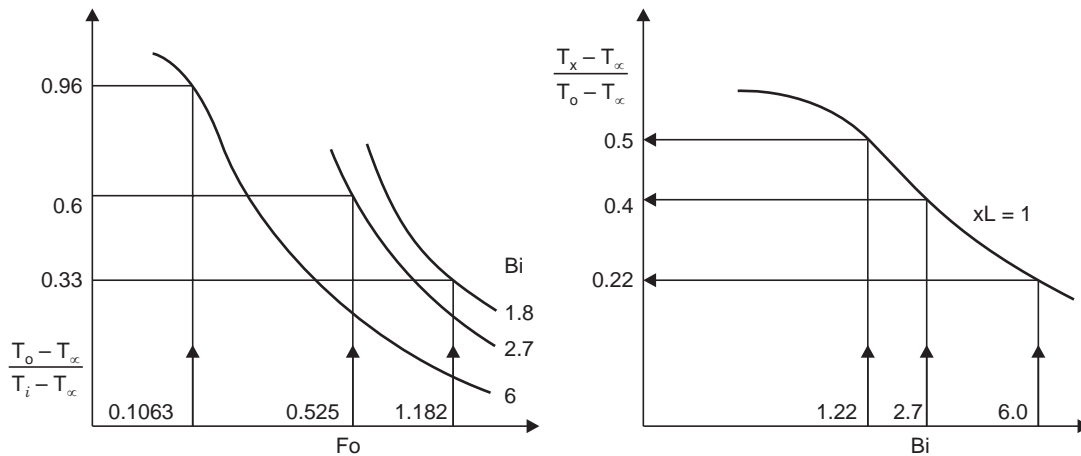


Fig. P. 6.42 (b), (c).

For the centre: Temperature ratio = $0.33 \times 0.6 \times 0.96 = 0.19$

$$\therefore \frac{T - 30}{1400 - 30} = 0.19 \quad \therefore T = 290.3^\circ\text{C}$$

To determine surface and corner temperatures:

The location modifier for the three slabs at $Bi = 1.8, 2.7$ and 6 and $x/L = 1$ (Fig. P. 6.42 (c)) are read and tabulated.

The corner temperatures:

All corners are on the face of the three slabs considered:

$$\begin{aligned} \therefore \text{Temp. ratio} &= (\text{Products or center temp. ratios}) \times (\text{Products or surface temp. ratios}) \\ &= 0.33 \times 0.6 \times 0.96 \times 0.22 \times 0.4 \times 0.5 \end{aligned}$$

$$\therefore T_{\text{corner}} = 41.45^\circ\text{C}$$

For the centre point of faces:

(i) **6 × 9 face:** This point is on center plane of 6 cm slab × center plane of 6 cm slab × surface of 20 cm slab:

$$\begin{aligned} \therefore \text{Temp. ratio} &= 0.33 \times 0.6 \times 0.96 \times 0.22 \\ T &= 87.29^\circ\text{C} \end{aligned}$$

(ii) **6 × 20 face:** Center plane of 20 cm × center plane of 6 cm × surface of 9 cm

$$\text{Temp. ratio} = 0.96 \times 0.33 \times 0.6 \times 0.4$$

$$\therefore T = 134.2^\circ\text{C}$$

(iii) **9 × 20 face:** Center plane of 9 cm × center plane of 20 cm × surface of 6 cm = $0.6 \times 0.96 \times 0.33 \times 0.5$

$$\therefore \quad \mathbf{T = 160.2^{\circ}\text{C}}$$

The temperatures at other locations can be calculated in a similar manner. The total heat flow is given by

$$\frac{Q}{Q_0} = \frac{Q_1}{Q_0} + \frac{Q_2}{Q_0} \left[1 - \frac{Q_1}{Q_0} \right] + \frac{Q_3}{Q_0} \left[1 - \frac{Q_1}{Q_0} \right] \left[1 - \frac{Q_2}{Q_0} \right]$$

Heat flows are determined calculating

$$h^2 \alpha \tau / k^2 = \frac{60 \times 60 \times 1 \times 45 \times 60}{2645 \times 960 \times 1^2} = 3.82 \text{ (common for all)}$$

Reading against the value for hL/k values of 1.8, 2.7 and 6

$$\therefore \quad \frac{Q_1}{Q_0} = 0.72, \quad \frac{Q_2}{Q_0} = 0.51 \text{ and } \frac{Q_3}{Q_0} = 0.26$$

$$\therefore \quad \frac{Q}{Q_0} = 0.72 + 0.51 (1 - 0.72) + 0.26 (1 - 0.72) (1 - 0.51) = 0.8984$$

$$\therefore \quad \mathbf{Q = 0.06 \times 0.09 \times 0.2 \times 2645 \times 960 (1400 - 30) \times 0.8984 = 3376 \text{ kJ.}}$$

Problem 6.43: A vegetable piece at 20°C and of size $30 \text{ mm} \times 60 \text{ mm} \times 60 \text{ mm}$ rests on $60 \times 60 \text{ mm}$ face while being heated by exposure to 190°C with $h = 18.4 \text{ W/m}^2\text{K}$. Determine the time needed for the centre point of the face resting on support to reach 88°C . Also determine the temperatures at points 1, 2, 3, 4, 5, 6, 7, 8, 9, 10 as shown in Figure. Assume that the base is adiabatic. The property values are density = 1000 kg/m^3 , specific heat 4180 J/kgK , conductivity = 0.552 W/mK . Also calculate the heat added.

Solution: The problem can be solved as the product solution of three identical slabs of $L = 0.03 \text{ m}$. On the shorter side the slab is assumed to be half of 0.06 m thickness, as the base is insulated.

$$\frac{hL}{k} = 18.4 \times 0.03 / 0.552 = 1.0$$

The temperature at 'A' is given and time is required:

$$\frac{T_0 - T_{\infty}}{T_i - T_{\infty}} = \frac{88 - 190}{20 - 190} = 0.6$$

This is the product of three equal temperature ratios of three identical solutions

\therefore The centre temperature ratio considering one slab is $= (0.6)^{1/3}$ or $= 0.8434$

The chart is entered at this value and Fourier number is read against $Bi = 1$ and the value read is 0.37.

$$\therefore \quad \tau = 0.37 \times L^2 / \alpha = \frac{0.37 \times 0.03 \times 0.03 \times 1000 \times 4180}{0.552} = \mathbf{2521.6 \text{ sec.}}$$

To determine the temperatures at points noted, the location temperature modifier for $x/L = 0.5$ and 1 are to be determined. Using the location chart and entering at $Bi = 1$. These values are read as 0.908 and 0.64.

To calculate temperatures ratio. In all cases the centre temperature ratio is involved Point 1, 5: center of two, surface of one plane

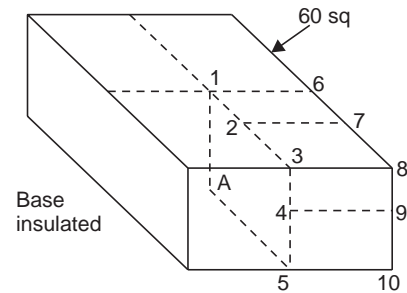


Fig. P. 6.43.

$$\begin{aligned} \therefore \text{Temp. ratio} &= 0.8434^2 \times (0.8434 \times 0.64) \\ &= 0.6 \times 0.64 \qquad \qquad \qquad \therefore T_{1,5} = 124.7^\circ\text{C} \\ \text{Point 2, 4: centre of one, surface of one, quarter plane } (x/L = 0.5) \text{ of one} \\ \text{Temp. ratio} &= 0.6 \times 0.64 \times 0.908 \qquad \qquad \qquad \therefore T_{2,4} = 130.7^\circ\text{C} \\ \text{Point 3, 6, 10: centre of one, surface of two} \\ \therefore \text{Temp. ratio} &= 0.6 \times 0.64 \times 0.64 \qquad \qquad \qquad \therefore T_{3,6,10} = 148.2^\circ\text{C} \\ \text{Point 7, 9: surface of two and one quarter plane } (x/L = 0.5) \\ \therefore \text{Temp. ratio} &= 0.6 \times 0.64 \times 0.64 \times 0.908 \\ T_{7,9} &= 152.1^\circ\text{C} \end{aligned}$$

Point 8: Surface of three

$$\therefore \text{Temp. ratio} = 0.6 \times 0.64 \times 0.64 \times 0.64 \qquad \therefore T_8 = 163.3^\circ\text{C}$$

To determine the heat flow Q/Q_o , the parameter $h^2 \alpha t/k^2$ is calculated

$$= \frac{18.4^2 \times 0.552 \times 25216}{4180 \times 1000 \times 0.552^2} = 0.369$$

Entering the heat flow chart at this value and reading on biot number = 1, $\frac{Q}{Q_o} = 0.23$

This is the same for all three slabs.

$$\therefore \frac{Q}{Q_o} = 0.23 + 0.23 (0.77) + 0.23 (0.77) \times (0.77) = 0.5435$$

$$\therefore Q = 1000 \times 4180 \times 0.06 \times 0.06 \times 0.03 \times 0.5435 \times (190 - 20) = 41.71 \text{ kJ}$$

Note: The heating (or cooking) time is long.

Problem 6.44: A circular slab 20 cm dia and 20 cm thick at 1400°C is suddenly exposed to convection all over the surface to a fluid at 30°C with $h = 60 \text{ W/m}^2\text{K}$. Determine the temperatures after 40 minutes at the points marked in Fig. P. 6.48. The property values are: density = 2645 kg/m³, specific heat 960 J/kgK, conductivity = 2 W/mK. Also calculate the heat flow:

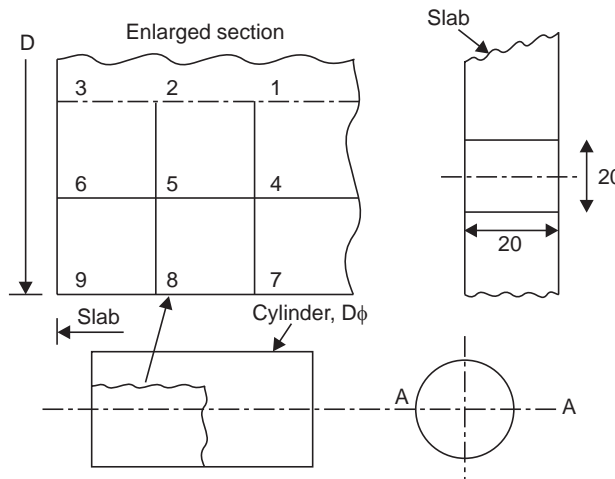


Fig. P. 6.44 (a)

A product solution used.

(i) a slab of $2L = 20$ cm or $L = 0.1$ m

(ii) Cylinder of radius 0.1 m.

Solution:

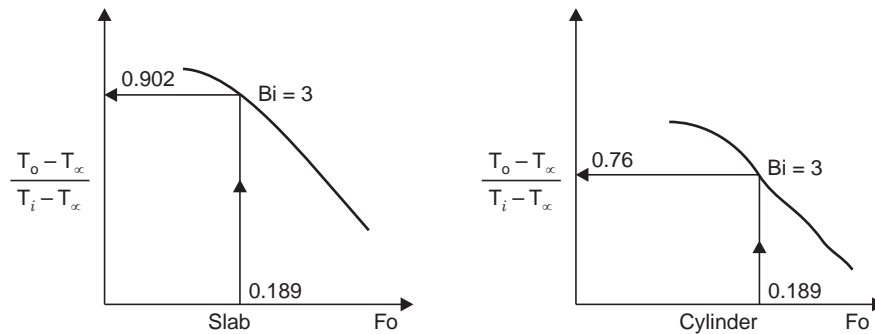
$$(i) \frac{hL}{k} = \frac{60 \times 0.1}{2} = 3,$$

$$(ii) \frac{hR}{k} = \frac{60 \times 0.1}{2} = 3$$

$$\text{Fourier number} = \alpha\tau/L^2 = \frac{2}{2645 \times 960} \times \frac{40 \times 60}{0.1^2} = 0.189 \text{ in both cases.}$$

The temperature ratios at center and the location modification factors are determined (i) by entering the charts at $Fo = 0.189$ and reading against $hL/k = 3$ and (ii) by entering the charts at $hR/k = 3$ and reading against x/L or $r/R = 0.5$ as illustrated in Fig. P. 6.44. The values are indicated in the figures.

Slab: Center temp. ratio: 0.902, location factor $0.5 \longrightarrow 0.825$, $1 \longrightarrow 0.37$



(b)

Cylinder center temp. ratio: 0.76, location factor $0.5 \longrightarrow 0.81$, $1 \longrightarrow 0.34$

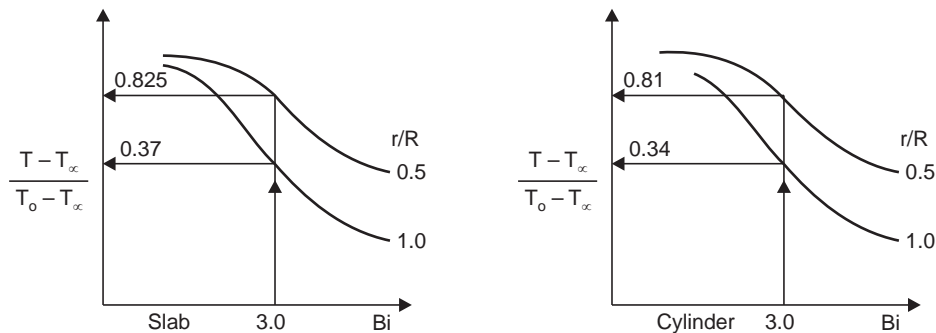


Fig. P. 6.44

Temperatures:**Point 1:** Centre line of cylinder and center plane of slab

$$\therefore \text{Temp. ratio} = 0.76 \times 0.902 \qquad \therefore T_1 = 969.2^\circ\text{C}$$

Point 2: Centre line of cylinder, 0.5 surface of slab

$$\therefore \text{Temp. ratio} = 0.76 \times 0.902 \times 0.825 \qquad \therefore T_2 = 804.8^\circ\text{C}$$

Point 3: Centre line of cylinder, and surface of slab

$$\therefore \text{Temp. ratio} = 0.76 \times 0.902 \times 0.37 \qquad \therefore T_3 = 377.5^\circ\text{C}$$

Point 4: Mid radius of cylinder and center plane of slab

$$\therefore \text{Temp. ratio} = 0.76 \times 0.81 \times 0.902 \qquad \therefore T_4 = 790.7^\circ\text{C}$$

Point 5: Mid radius of cylinder and 0.5 plane of slab

$$\text{Temp. ratio} = 0.76 \times 0.81 \times 0.902 \times 0.825 \qquad \therefore T_5 = 657.6^\circ\text{C}$$

Point 6: Mid radius of cylinder and surface of slab

$$\text{Temp. ratio} = 0.76 \times 0.81 \times 0.902 \times 0.37 \qquad \therefore T_6 = 311.5^\circ\text{C}$$

Point 7: Surface of cylinder and center plane of slab

$$\therefore \text{Temp. ratio} = 0.76 \times 0.34 \times 0.902 \qquad \therefore T_7 = 293.4^\circ\text{C}$$

Point 8: Surface of cylinder 0.5 Plane of slab

$$\text{Temp. ratio} = 0.76 \times 0.34 \times 0.902 \times 0.825 \qquad \therefore T_8 = 299.8^\circ\text{C}$$

Point 9: Surface of cylinder and surface of slab

$$\text{Temp. ratio} = 0.76 \times 0.34 \times 0.902 \times 0.37 \qquad \therefore T_9 = 148.9^\circ\text{C}$$

Note: In all cases:

$$\frac{T - T_\infty}{T_i - T_\infty} = \frac{T - 30}{1400 - 30} = \text{Temperature ratio}$$

As it is to be expected, the edge cooled quicker.

To determine heat flow $h^2 \alpha \tau / k^2$ is calculated.

$$\text{as } R = L, \text{ the value for both is } \frac{60 \times 60 \times 2 \times 40 \times 60}{2645 \times 960 \times 2^2} = 1.7$$

Entering heat flow chart

$$\text{For slab } \frac{Q}{Q_0} = 0.32, \text{ for cylinder } \frac{Q}{Q_0} = 0.58$$

$$\therefore \frac{Q}{Q_0} = 0.32 + 0.58 (1 - 0.32) = 0.7144$$

$$\therefore Q = 0.7144 \times 2645 \times 960 \times \pi \times 0.1^2 \times 0.2 \times (1400 - 30) = 15.62 \times 10^6 \text{ J.}$$

Problem 6.45: A hemispherical piece of radius 0.1 m initially at 1400°C is exposed to convection all over its surface to a fluid at 30°C with convective heat transfer coefficient of 60 W/m²K. Determine the temperatures at points 1, 2, 3, 4, 5, 6 as shown in Fig. P. 6.44 (a). The elapsed is 40 minutes.

Solution: The property values are: density = 2645 kg/m³

Specific heat: 960 J/kgK, Conductivity = 2 W/mK.

The problem can be solved taking the solid as a composite of a sphere and slab, the dimensions being 0.1 m

$$\frac{hL}{k} = \frac{60 \times 0.1}{2} = 3, \frac{hR}{k} = 3$$

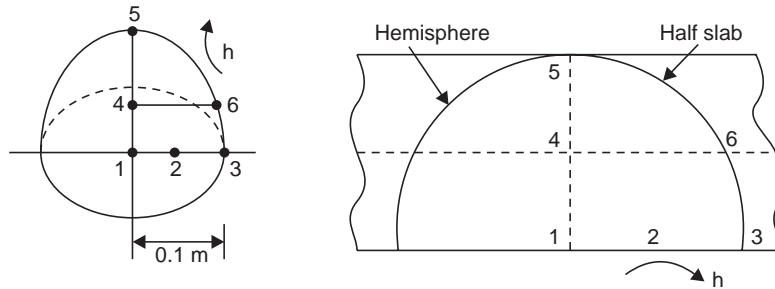


Fig. P. 6.45 (a), (b).

$$\frac{\alpha\tau}{L^2} = \frac{\alpha\tau}{R^2} = \frac{2 \times 40 \times 60}{2645 \times 960 \times 0.1^2} = 0.189$$

as

$$R = L$$

$$h^2 \alpha\tau/k^2 = 1.7 \text{ (see problem 6.44)}$$

Reading the temperature ratio charts and heat flow charts as diagrammatically shown in Fig. P. 6.45

Plane:	center: 0.902	Mid plane: 0.825	Surface = 0.37
Sphere:	center: 0.59	Mid plane : 0.798	Surface = 0.345

$$\text{Temperature ratio: } \frac{T - T_\infty}{T_i - T_\infty} = \frac{T - 30}{1400 - 30}$$

Point 1: Center of sphere and surface of slab

$$\therefore \text{Temperature ratio} = 0.59 \times 0.902 \times 0.37 \quad \therefore T_1 = 299.8^\circ\text{C}$$

Point 2: Mid radius of sphere and surface of slab

$$\text{Temp. ratio} = 0.59 \times 0.798 \times 0.902 \times 0.37 \quad \therefore T_2 = 245.27^\circ\text{C}$$

Point 3: Surface of sphere, surface of slab

$$\text{Temp. ratio} = 0.59 \times 0.345 \times 0.902 \times 0.37 \quad \therefore T_3 = 123^\circ\text{C}$$

Point 4: Mid radius of sphere and 0.5 plane of slab

$$\text{Temp. ratio} = 0.59 \times 0.798 \times 0.902 \times 0.825 \quad \therefore T_4 = 510^\circ\text{C}$$

Point 5: Surface of sphere and mid plane of slab

$$\text{Temp. ratio} = 0.59 \times 0.345 \times 0.902 \quad \therefore T_5 = 281.5^\circ\text{C}$$

Point 6: Surface of sphere and 0.5 plane of slab

$$\text{Temp. ratio} = 0.59 \times 0.345 \times 0.902 \times 0.825 \quad \therefore T_6 = 237.5^\circ\text{C}$$

The lowest temperature is at the edge (3) as it should be.

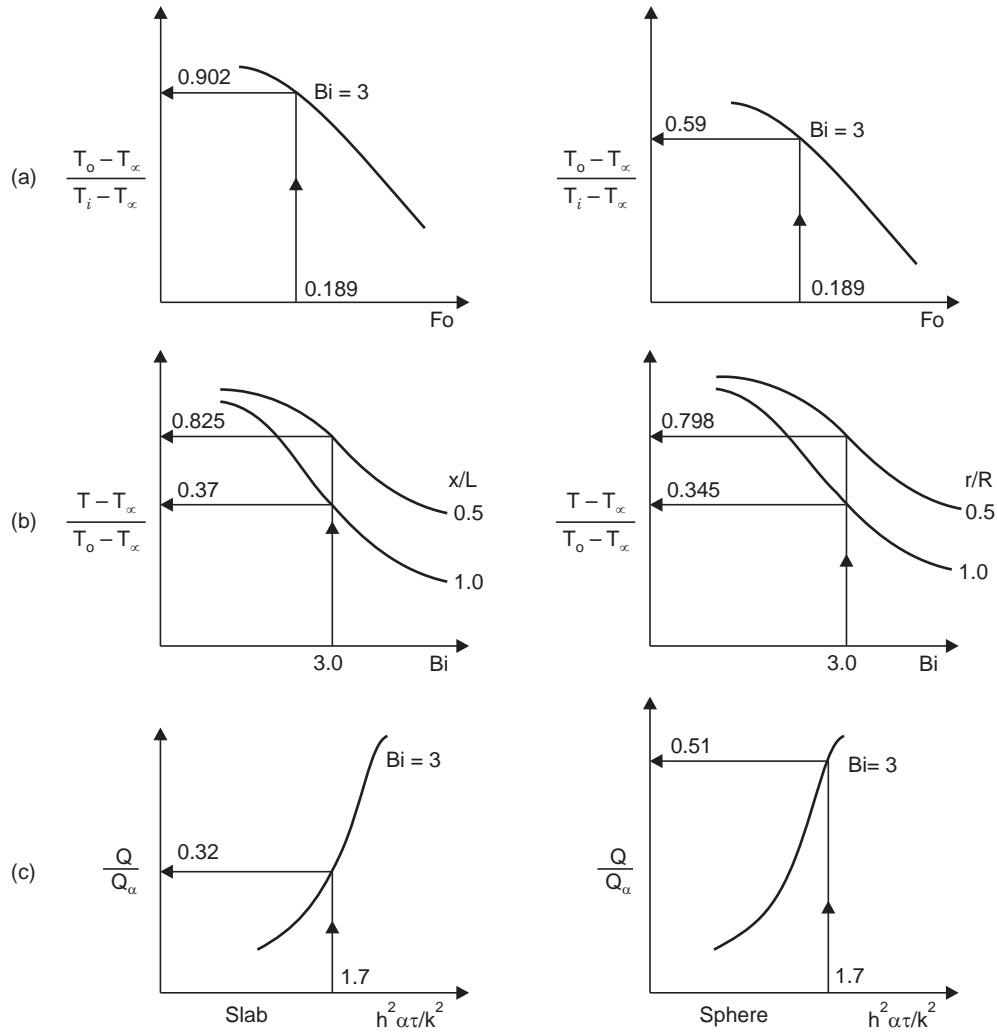


Fig. P. 6.45.

The heat flow is calculated by using the parameter $h^2 \alpha \tau / k^2 = 1.7$ and entering the chart at this value and reading against the Biot number 3 (Fig. P. 6.45(c))

For slab $\frac{Q}{Q_o} = 0.32$, for sphere $\frac{Q}{Q_o} = 0.51$

$$\frac{Q}{Q_o} = 0.32 + 0.51 (1 - 0.32) = 0.6668$$

$$\begin{aligned} \therefore Q &= 0.6668 \times \frac{1}{2} \times \frac{4}{3} \times \pi \times 0.1^3 \times 2645 \times 960 \times (1400 - 30) \\ &= 4.86 \times 10^6 \text{ J.} \end{aligned}$$

Problem 6.46: A semi cylinder of 0.1 m radius and 0.2 m length initially at 1400°C is exposed all over to convection at 30°C with $h = 60 \text{ W/m}^2\text{K}$. The property values are as in problem 6.45. Determine the temperatures after 40 minutes at points 1, 2, 3, 4, 5, 6, 7, 8, 9 shown in Fig. P. 6.46.

Solution: This solid can be taken as combination of cylinder and two slabs. All are of 0.1 m dimension.

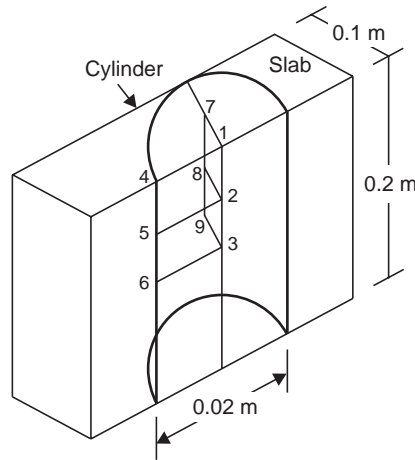


Fig. P. 6.46.

Taking the temperature ratio values for plane and cylinder from problem 6.45. (as the values of R , L and properties and time elapsed are the same)

Temperature ratios at locations $\frac{r}{R}$ and $\frac{x}{L}$ are

Location	0	0.5	1.0
Slabs	0.902	0.825	0.37
Cylinder	0.76	0.81	0.34

Temperature Ratio, in all cases,

$$\frac{T - T_{\infty}}{T_i - T_{\infty}} = \frac{T - 30}{1400 - 30}$$

Point 1: axis of cylinder and surface of both slabs

$$\therefore \text{Temp. ratio} = 0.76 \times 0.902 \times 0.37 \times 0.902 \times 0.37 \quad \therefore T_1 = 146^{\circ}\text{C}$$

Point 2: axis of cylinder, surface of one slab and 0.5 of another slab

$$\therefore \text{Temp. ratio} = 0.76 \times 0.902 \times 0.37 \times 0.902 \times 0.825 \quad \therefore T_2 = 289^{\circ}\text{C}$$

Point 3: axis of cylinder, surface of one slab and center plane of another slab

$$\text{Temp. ratio} = 0.76 \times 0.902 \times 0.37 \times 0.902 \quad \therefore T_3 = 343.4^{\circ}\text{C}$$

Point 4: surface of cylinder, surface of both slab

$$\text{Temp. ratio} = 0.76 \times 0.34 \times 0.902 \times 0.37 \times 0.902 \times 0.37 \quad \therefore T_4 = 69.4^{\circ}\text{C}$$

Point 5: surface of cylinder, surface of one slab and 0.5 of other slab

$$\text{Temp. ratio} = 0.76 \times 0.34 \times 0.902 \times 0.37 \times 0.902 \times 0.825 \quad \therefore T_5 = 118^\circ\text{C}$$

Point 6: surface of cylinder, surface of one slab and center plane of slab

$$\text{Temp. ratio} = 0.76 \times 0.34 \times 0.902 \times 0.37 \times 0.902 \quad \therefore T_6 = 136.6^\circ\text{C}$$

Point 7: mid radius of cylinder, mid lengths of one slab and surface of 1 slab

$$\text{Temp. ratio} = 0.76 \times 0.81 \times 0.902 \times 0.825 \times 0.902 \times 0.37$$

$$\therefore T_7 = 239.5^\circ\text{C}$$

Point 8: mid radius of cylinder 0.5 of one slab and 0.5 of another

$$\text{Temp. ratio} = 0.81 \times 0.34 \times 0.902 \times 0.825 \times 0.902 \times 0.825 \quad \therefore T_8 = 497^\circ\text{C}$$

Point 9: mid radius cylinder 0.5 plane of a slab and center plane of another

$$\text{Temp. ratio} = 0.76 \times 0.81 \times 0.902 \times 0.825 \times 0.902 \quad \therefore T_9 = 596.1^\circ\text{C}$$

Note that point 4 has cooled fastest.

The heat flow can be calculated using (problem 6.48)

$$\left. \frac{Q}{Q_o} \right|_{\text{cyl}} = 0.58 \quad \text{For slab } \frac{Q}{Q_o} = 0.32$$

$$\therefore \frac{Q}{Q_o} = 0.58 + 0.32(1 - 0.58) + 0.32(1 - 0.58)(1 - 0.32) = 0.806$$

$$\therefore Q = 0.806 \times 0.5 \times \pi \times 0.1^2 \times 0.2 \times 2645 \times 960 \times (1400 - 30) \\ = 8.81 \times 10^6 \text{ J.}$$

Problem 6.47: A circular slab 20 cm dia and 20 cm thickness at 1400°C is exposed over the curved surface to 30°C with $h = 600 \text{ W/m}^2\text{K}$ and has the flat surfaces maintained by intense cooling at 30°C. Determine the temperature at mid point properties are: density = 2645 kg/m³, specific heat = 960 J/kgK; $k = 2 \text{ W/mK}$.

Solution: This is a combination of an infinite slab and a long cylinder. In the case of the slab, h is very large and so $hL/k = \infty$ is to be noted.

$$\text{For slab and cylinder } \alpha\tau/L^2 = \frac{2 \times 40 \times 60}{2645 \times 960 \times 0.1^2} = 0.189 \text{ as } L = R = 0.1 \text{ m}$$

$$\text{Cylinder } hR/k = \frac{60 \times 0.1}{2} = 3$$

For slab entering the center temperature chart at 0.189 and reading against $hL/k = \infty$, temperature ratio = 0.79. For cylinder reading against $hR/k = 3$, temp. ratio = 0.76

$$\therefore \text{Total temperature ratio} = 0.79 \times 0.76 = 0.6004$$

$$\frac{T - 30}{1400 - 30} = 0.6004 \quad \therefore T = 852.5^\circ\text{C}$$

In case temperature at other locations are needed, the location modification chart has to be used.

Problem 6.48: A long cylinder of 0.2 m dia initially at 1400°C has its surface and the base exposed to convection at 30°C with $h = 60 \text{ W/m}^2\text{K}$. Using the property values as in problem 6.48 determine the temperature at the centre of the base and at 0.1 m from the base on the axis of the cylinder after 40 minutes.

Solution: This is a combination of long cylinder and semiinfinite slab exposed to convection. The solution for the centre line of cylinder is used from problem 6.48. Temperature ratio = 0.76.

For the infinite slab

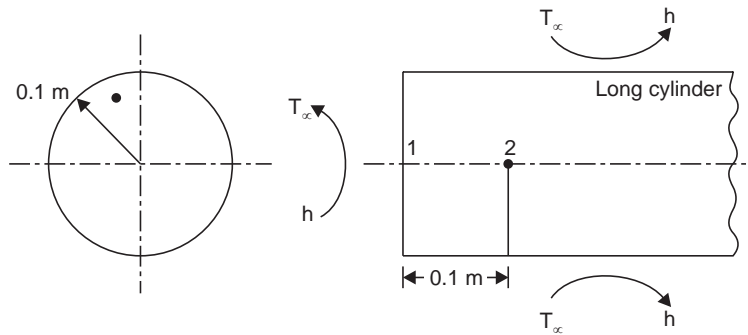


Fig. P. 6.48

$$\frac{T_x - T_i}{T_\infty - T_i} = (1 - \operatorname{erf} \frac{x}{2\sqrt{\alpha\tau}}) - \exp \left[\frac{hx}{k} + \frac{h^2\alpha\tau}{k^2} \right] \left[1 - \operatorname{erf} \left(\frac{x}{2\sqrt{\alpha\tau}} + \frac{h\sqrt{\alpha\tau}}{k} \right) \right]$$

(i) $x = 0$,

$$\begin{aligned} \frac{T - 1400}{30 - 1400} &= 1 - \exp \frac{h^2\alpha\tau}{k^2} \left[1 - \operatorname{erf} \left(\frac{h\sqrt{\alpha\tau}}{k} \right) \right] \\ &= 1 - \exp \left[\frac{60 \times 60 \times 2 \times 40 \times 60}{2^2 \times 2645 \times 960} \right] \left[1 - \operatorname{erf} \frac{60\sqrt{(2/(2645 \times 960)) \times 40 \times 60}}{2} \right] \\ &= 1 - 5.481 \times [1 - 0.93401] \\ &= 1 - 0.6383 \quad \therefore \frac{T - T_\infty}{T_i - T_\infty} = 1 - 0.6383 = \mathbf{0.3617} \end{aligned}$$

(ii) $x = 0.1$

$$\begin{aligned} \frac{T_x - T_i}{T_\infty - T_i} &= \left(1 - \operatorname{erf} \frac{0.1}{2\sqrt{\alpha\tau}} \right) - \exp \left[\frac{0.1h}{k} + \frac{h^2\alpha\tau}{k^2} \right] \left[1 - \operatorname{erf} \left(\frac{0.1}{2\sqrt{\alpha\tau}} + \frac{h\sqrt{\alpha\tau}}{k} \right) \right] \\ &= (1 - 0.89612) - 110.09 [1 - \operatorname{erf} (1.15 + 1.304)] = 0.0467 \\ \therefore \frac{T - T_\infty}{T_i - T_\infty} &= 1 - 0.0467 = \mathbf{0.9533} \end{aligned}$$

Temperature at the **centre of base:**

$$\text{Temp. ratio} = \frac{T_1 - 30}{1400 - 30} = 0.76 \times 0.3617 = 0.2749 \quad \therefore T_1 = \mathbf{406.6^\circ\text{C}}$$

At 0.1 m from base: on centre line:

$$\text{Temp. ratio} = \frac{T_2 - 30}{1400 - 30} = 0.76 \times 0.9533 \quad \therefore T_2 = 1022.6^\circ\text{C}$$

At a long distance from base temperature (using 0.6 cylinder only) = 1071.2°C.

Problem 6.49: A slab 0.24 m thick initially at 80°C has both surfaces suddenly lowered to 20°C and surfaces maintained at the level. Thermal diffusivity = $1.5 \times 10^{-6} \text{ m}^2/\text{s}$. Using numerical method estimate the temperature at various locations of the slab at the end 30 minutes. The slab is shown in Fig. P. 6.49.

Solution: One half of the slab can be considered for solution as both sides are identical.

Choosing nodal distance of 0.03 m. The nodal temperature at node 1 is 20°C at all times after, 0 sec. Considering node other than, 5

net heat conducted to node 2 = heat stored in the node.

For node 2:

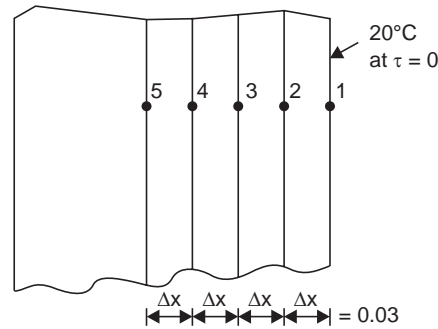


Fig. P. 6.49. Nodes.

$$kA \left(\frac{T_1^p - T_2^p}{\Delta x} \right) + kA \left(\frac{T_3^p - T_2^p}{\Delta x} \right) = \rho c A \Delta x (T_2^{p+1} - T_2^p)$$

where p denotes time interval number.

Simplifying and assuming $\Delta x^2/\alpha\Delta\tau = 2$, for the chosen value of $\Delta x = 0.03$

$$\Delta\tau = 300 \text{ sec.}$$

$$T_2^{p+1} = (T_1^p + T_3^p) / 2$$

Similarly $T_3^{p+1} = (T_4^p + T_2^p) / 2$, $T_4^{p+1} = (T_5^p + T_3^p) / 2$

For node, 5, there is heat flow only from node 4

$$(T_4^p - T_5^p) = \rho c A \frac{\Delta x}{2} (T_5^{p+1} - T_5^p)$$

$$\therefore T_4^p = \frac{\rho c}{k} \cdot \frac{\Delta x^2}{2\Delta\tau} (T_5^{p+1} - T_5^p) + T_5^p$$

as $\frac{\rho c}{k} \cdot \frac{\Delta x^2}{2\Delta\tau} = 1$; $T_5^{p+1} = T_4^p$

The present last nodal temperature equals the previous temperature of the last but one node.

The solution is given as a tabulation. The temperature at any time intervals are the mean of the adjacent temperature at the previous level for nodes 2, 3, and 4, and for T_5 it is equal to the temperature at the previous interval at T_4 .

Time, end of minute	T_1	T_2	T_3	T_4	T_5
0	20	80	80	80	80
5	20	50	80	80	80
10	20	50	65	80	80
15	20	42.5	65	72.5	80
20	20	42.5	57.5	72.5	72.5
25	20	38.75	57.5	65	72.5
30	20	38.75	51.875	65	65
35	20	35.94	51.875	58.43	65

At 30 min the nodal temperatures are 20, 37.35, 51.9, 61.72 and 65°C (at nodes 2 and 4, mean value is taken).

OBJECTIVE QUESTIONS

- 6.1** Choose the correct statement
- Transient conduction means very little heat transfer
 - Transient conduction means conduction when the temperature at a point varies with time
 - Transient conduction means heat transfer for a short time
 - Transient conduction means heat transfer with very small temperature difference.
- 6.2** Choose the correct statement
- Lumped parameter model can be used when
- the thickness is small
 - when the conductivity is high
 - when the convective heat transfer coefficient is low
 - when conditions (a), (b) and (c) are true
- 6.3** Choose the correct statement
- In the lumped parameter model, the temperature variation is
- linear with time
 - sinusoidal with time
 - exponential with time
 - cubic with time.
- 6.4** Choose the correct statement
- The response time of a thermocouple is the time taken for the temperature change to be
- 0.5 of original temperature difference
 - 1/1.414 of original temperature difference
 - 1/e of original temperature difference
 - 99% of the original temperature difference.
- 6.5** Choose the correct statement
- To make a thermocouple to respond quickly
- the wire diameter should be large
 - convective heat transfer coefficient should be high

- (c) density should be very small
- (d) specific heat should be high.

6.6 Choose the correct statement
Semi infinite model can be adopted when

- (a) thickness of the solid is very large
- (b) heat diffusion is very slow
- (c) short time period
- (d) all of these.

6.7 The temperature distributions in a semi infinite solid with time are shown in Fig. 6.7 (a), (b), (c) and (d) match these with the statements and figures

- (1) sudden surface temperature change
- (2) cooling
- (3) convection boundary
- (4) constant heat flux.

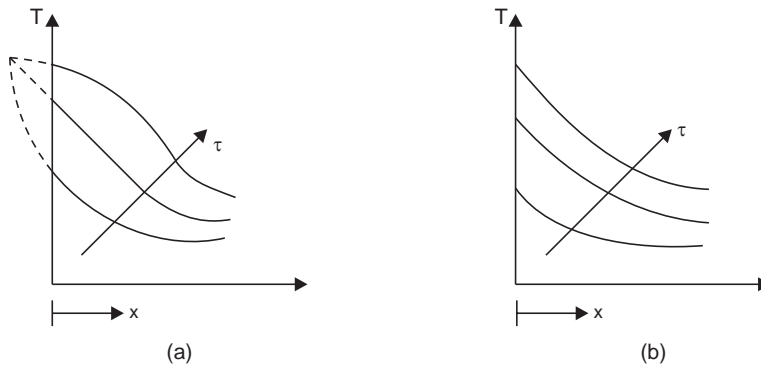


Fig. E. 6.7 (a, b)

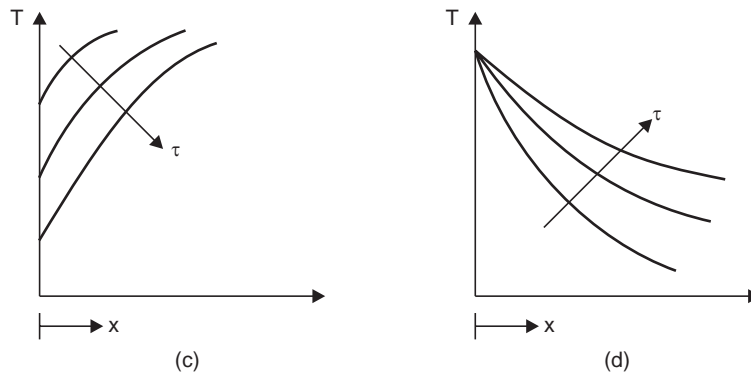


Fig. E. 6.7 (c, d)

6.8 Choose the correct statement

Heating or Cooling of a road surface can be analysed using

- (a) lumped parameter model
- (b) Infinite slab model
- (c) Semi infinite slab model
- (d) none of these.

6.9 Match the figures and the statements under transient conditions.

- (1) cooling
- (2) heating
- (3) steady state
- (4) heat generation.

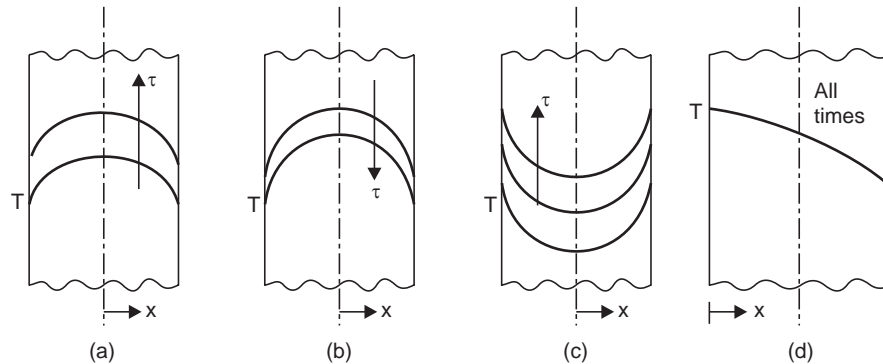


Fig. E. 6.9 (a, b, c, d)

EXERCISE PROBLEMS

- 6.1 For the materials with the following values of conductivity and a convective heat transfer coefficient of $60 \text{ W/m}^2\text{K}$, determine the minimum diameter for cylindrical shape for which lumped parameter model can be applied
- (a) Aluminium $k = 204.2 \text{ W/mK}$ (b) Silumin with $k = 136.8 \text{ W/mK}$
 (c) Steel $k = 43.3 \text{ W/mK}$ (d) Nickel steel with $k = 19.1 \text{ W/mK}$
 (e) Inwar with $k = 10.7 \text{ W/mK}$.
- 6.2 In the problem 6.1 determine the diameter if spherical shape is used.
- 6.3 In the problem 6.2 determine the thickness if flat slab shape is used.
- 6.4 Determine the maximum value of convective heat transfer coefficient for the following materials of spherical shape of diameter 0.05 m for the application of lumped parameter model
- (a) $k = 204.2 \text{ W/mK}$ (b) $k = 136.8 \text{ W/mK}$
 (c) $k = 43.3 \text{ W/mK}$, and (d) $k = 107 \text{ W/mK}$.
- 6.5 Determine the time constant for the following materials if the wire is of 1 mm dia and exposed to convection at $50 \text{ W/m}^2\text{K}$. The property values are:

Material	density, kg/m^3	Specific heat, J/kgK	Thermal conductivity W/mK
a	2700	896	204.2
b	2660	867	136.8
c	8196	461	10.4
d	8954	381	386
e	8922	394	24.9
f	19350	134	162.7
g	10525	235	407

- 6.6 Pellets of $3 \text{ mm} \times 10 \text{ mm} \times 8 \text{ mm}$ size are to be cooled from 25°C to -90°C in atmosphere at -176°C with a convection coefficient of $45 \text{ W/m}^2\text{K}$. The material properties are density = 10525 kg/m^3 , specific heat = 235 J/kgK , Thermal conductivity = 407 W/mK . Determine the time required.
- 6.7 Plate glass 5 mm thick at 200°C is to be cooled from both sides using air at 40°C . If surface cracks are to be avoided, determine the maximum value of convective heat transfer coefficient. Material properties are density = 2500 kg/m^3 , specific heat 670 J/kgK . Thermal conductivity 0.744 W/mK . Also determine the time required in this case to cool the plate to 80°C .

- 6.8** Cylindrical pellets are used to store heat in a heat recovery process. The pellets are to be heated from 200°C to 300°C using gas at 400°C. The convective heat transfer coefficient attainable is 40 W/m²K. The pellets are then to be cooled to 200°C using air at 60°C with a convective heat transfer coefficient of 50 W/m²K. The pellets are cylindrical and 15 mm dia and 20 mm long. The properties of material are: Thermal conductivity = 12 W/mK, density 2400 kg/m³, specific heat = 456 J/kgK. Determine the batch time (1 heating and 1 cooling). Also calculate the heat recovered for 1 kg of material per batch.
- 6.9** In an air preheater of rotary storage type the mass moves over the cold air portion during 6 seconds and is exposed to air at 35°C. The mass is made of wires of 3 mm dia with property values of density = 7900 kg/m³, specific heat = 394 J/kgK and conductivity of 25 W/mK. The material when entering the cooling zone is at 260°C. If convective heat transfer coefficient has a value of 245 W/m²K. Determine the temperature at the end of cooling cycle.
- 6.10** In problem 6.9, if the mass has to be heated from a temperature of 155°C to 260°C by using gases at 320°C, determine the time required. Also determine the heat collected per kg of material. If these two processes are to be accommodated in 300° of the rotation, calculate angles of each sector and the rpm.
- 6.11** Ice flakes at 0°C are to be cooled to -20°C for long time storage by passing these through a cold chamber at -40°C with a convection coefficient of 25 W/m²K. The flakes are 2 mm thick and 5 mm square and are exposed on one side to convection. Determine the time required; density = 920 kg/m³, $k = 2.25$ W/mK, specific heat = 2261 J/kg.
- 6.12** A constant thermocouple wire of 0.4 mm dia is to be used to measure a temperature of 600°C. The wire is initially at 35°C. If the thermocouple should read 595°C in 2 seconds, determine the value of convection coefficient required. Density = 8922 kg/m³, Sp. heat = 410 J/kgK; Thermal conductivity = 22.7 W/mK.
- 6.13** Ice in the form of long cylinders of dia 15 mm at -20°C are exposed to air at 30°C with a convection coefficient of 15 W/m²K. How long can it be kept exposed before the ice begins to melt. The property values are: density = 920 kg/m³, specific heat = 2261 J/kgK conductivity = 2.25 W/mK.
- 6.14** A tool bit in the shape of 15 mm square and 5 mm thickness is to be heated from 40°C to 1200°C using gases at 1500°C, without much of distortion with Biot number to be restricted to 0.05. Calculate the maximum value of convective heat transfer coefficient that can be used. How long will the heating take? density = 19350 kg/m³ sp. heat = 134 J/kgK, $k = 162.7$ W/mK.
- 6.15** A thick billet initially at 40°C has its surface temperature increased and maintained at 900°C. Determine the heat input needed for maintaining the surface temperature for 20 minutes, over an area of 0.5 m². Also determine the temperature at a depth of 0.05 m at this time. Thermal diffusivity = 1.17×10^{-5} m²/s, conductivity = 28 W/mK. Specific heat = 460 J/kgK.
- 6.16** Sudden flow of lava raises and maintains the surface temperature of soil at 1400°C. Determine the temperature after 12 hours at the following depths
(i) 0.2 m (ii) 0.4 m and 1 m. Thermal diffusivity = 2.6×10^{-6} m²/s; $k = 0.325$ W/mK. Also determine the heat flow into the ground. Specific heat = 796 J/kgK.
- 6.17** Sandy soil heated by lava flow to 400°C to a considerable depth has its surface suddenly exposed to snow which reduced the surface temperature to 0°C. Determine taking the property values from problem 6.16, the depth at which the temperature will be 200°C after 12 hours from the time it started snowing.
- 6.18** Hot water from a process at 60°C is continuously let into the top layer of a pond. There is little chance of mixing of layers. Determine the temperature at a depth of 40 mm from the hot water layer after exposure to the hot water for 6 hours. Thermal diffusivity = 1.44×10^{-10} m²/s. Also calculate the heat going into the cold water over this period $k = 0.5978$ W/mK. Specific heat = 4180 J/kgK.

- 6.19** Warm water at a constant temperature of 60°C is kept in a concrete container of wall thickness 0.2m, initially at 25°C. Estimate the time it will take for the outside surface temperature of the wall to begin to increase. Thermal diffusivity = 4.9×10^{-7} m²/s. Also determine the temperature at 5 cm from inside at this time.
- 6.20** A furnace starts operation at 6 am. The inside surface temperature increases immediately to 900°C. The wall was at 100°C to start with. If the wall is 25 cm thick determine the time elapsed before the outside surface temperature will begin to increase. Thermal diffusivity = 1.67×10^{-6} m²/s. At this point of time determine the temperature at 12.5 cm from inside.
- 6.21** Chill wind at -20°C flows over a thick wall initially at 18°C and the convective heat transfer coefficient over the surface is 65 W/m²K. Determine the surface temperature and the temperature at a depth of 0.05 m from surface after 1 hour. Also calculate the heat loss from the wall during the period. Thermal diffusivity = 2.2×10^{-6} m²/s. Thermal conductivity = 1.35 W/mK.
- 6.22** Process gases at 800°C are let into a chimney lined with 20 cm layer of chrome brick which was initially at 60°C. The convective heat transfer coefficient has a value of 65 W/m²K. Determine assuming the radius to be large, the surface temperature and the temperature at 5 cm depth after 45 minutes. Thermal diffusivity = 1.67×10^{-6} m²/s.
- 6.23** An ice block at -15°C has air at 20°C flowing over the surface with a convective heat transfer coefficient of 25 W/m²K. Determine the time at which the surface will begin to melt. Thermal diffusivity = 1.08×10^{-6} m²/s, $k = 2.25$ W/mK. At this instant determine the temperature at a depth of 3 cm.
- 6.24** An ice block at -15°C kept open has a heat flux of 600 W/m² incident over the ice. Determine when the surface will begin to melt. Thermal diffusivity = 1.08×10^{-6} m²/s, $k = 2.15$ W/mK. Also calculate the temperature at a depth of 20 cm at that instant.
- 6.25** Radiant heating is used to heat a thick plate at 30°C with a surface flux of 5 kW/m². Determine the surface temperature after 30 minutes. Thermal diffusivity = 6.7×10^{-5} m²/s. Also determine the temperature at 15 mm depth at this time. $k = 22.5$ W/mK.
- 6.26** A thermocouple of 0.2 mm dia wire is used to measure the temperature of a gas which varies sinusoidally with a period of 5 minutes. Determine the percentage of error expected. $h = 60$ W/m²K; density = 8200 kg/m³. Specific heat = 560 J/kgK. Conductivity = 12 W/mK.
- 6.27** A thick metal plate is exposed to a cyclic variation of temperature at the surface with a period of 10 minutes. Determine the lag and amplitude of variation at a depth of 2 cm. Thermal diffusivity = 1.67×10^{-6} m²/s. Also determine the depth upto which this variation will be felt.
- 6.28** A metal surface is exposed to periodic temperature variation of the surface which is sinusoidal. If the depth of penetration is more than 1 cm distortion will occur. If the period is 5 minutes check whether distortion will occur. Thermal diffusivity = 6.6×10^{-6} m²/s.
- 6.29** A large plate of 0.16 m thickness initially at 600°C is allowed to cool in air at 30°C with surface convection coefficient of 35 W/m²K. Thermal diffusivity = 9.6×10^{-6} m²/s; conductivity = 43.5 W/mK. Determine the temperature at the centre, surface and at $(x/L) = 0.5$ plane after 30 minutes. Also estimate the heat flow during the time.
- 6.30** A refractory wall 0.2 m thick, initially at 60°C is exposed on one side to gases at 600°C with a convection coefficient of 60 W/m²K. Determine the time elapsed for the temperature at 0.1 m from surface to reach 300°C. Assume one side is adiabatic. Thermal diffusivity = 1.16×10^{-6} m²/s. Conductivity = 2.2 W/mK. Also determine the surface temperatures at this instant. Calculate also the heat conducted into the wall during this time.
- 6.31** A large slab of meat is to be cooked by heating on both sides in an oven at 180°C. The meat is 4 cm thick and is initially at 30°C. The convective heat transfer coefficient over the surface is 80 W/m²K. The meat is well cooked when the centre temperature is 150°C. Determine the time required for the cooking. Thermal diffusivity = 2.69×10^{-7} m²/s. Also estimate the surface temperature at this time. $k = 0.7$ W/mK.

- 6.32** A large slab of thickness 0.18 m at 800°C is allowed to cool in air at 40°C with a convective heat transfer coefficient of 45 W/m²K. Determine the time for the surface to reach 600°C. Estimate the centre temperature at this time. Thermal diffusivity = 8.6×10^{-6} m²/s, $k = 12$ W/mK. What will be the average temperature of the slab if no further cooling is allowed.
- 6.33** Estimate the time required to remove 60% energy over the datum of 60°C in a slab of 0.18 m thickness exposed to convection at 60°C with $h = 85$ W/m²K. The thermal diffusivity = 8.6×10^{-6} m²/s. Thermal conductivity = 12 W/mK. Calculate the centre and surface temperatures at this time.
- 6.34** The surfaces of a slab of 0.16 m thickness initially at 60°C is suddenly brought to 300°C by intense heating and maintained at this value. Determine the time for the centre to reach 280°C. Thermal diffusivity = 6.6×10^{-6} m²/s. Also estimate the temperature at 0.04 m depth from the surface.
- 6.35** Estimate and plot the temperatures at 10, 20, 30 and 40 minutes, along the thickness of a large wall of 0.26 m thickness exposed on both sides to convection to 600°C with $h = 75$ W/m²K. The initial temperature was 100°C. Thermal diffusivity = 6.6×10^{-6} m²/s. $k = 15$ W/mK.
- 6.36** A long cylinder of radius 0.09 m initially at 700°C is allowed cool by convection over the surface to surroundings at 30°C with $h = 42$ W/m²K. The material has a conductivity of 19.2 W/mK and a thermal diffusivity of 5.3×10^{-6} m²/s. Determine the surface and centre temperatures and also the temperature at mid radius after 20 minutes.
- 6.37** A concrete column of 0.4 m dia initially at 15°C has its surface exposed to chill winds at -30°C with a convective heat transfer coefficient of 45 W/m²K. Estimate the time for the centre to reach 0°C. Thermal diffusivity = 4.9×10^{-7} m²/s. Conductivity = 1.3 W/mK. Estimate the surface temperature also. Calculate the heat loss during the period. Sp. heat = 1130 J/kgK.
- 6.38** A pudding in the shape of a cylinder of 5 cm dia is to be cooked for the centre to reach 80°C using steam at 120°C with a convection coefficient of 165 W/m²K. The properties are: density 1100 kg/m³. Sp. heat 3800 J/kgK, conductivity 0.8 W/mK. Determine the time required.
- 6.39** A long cylinder of 50 mm dia at 30°C is to be heated in hot air at 180°C till the surface temperature increases to 100°C. The convection coefficient over the surface is 25 W/m²K. Determine the time required. Thermal diffusivity = 4.8×10^{-6} m²/s. Conductivity = 45 W/mK.
- 6.40** In a batch process long cylinders are to be heated in 10 minutes from 30°C to a centre temperature of 600°C in hot surroundings at 800°C with a convective heat transfer coefficient of 80 W/m²K. If the conductivity is 18 W/mK and thermal diffusivity is 3.6×10^{-6} m²/s, determine the maximum possible diameter.
- 6.41** A sphere of 0.6 m dia initially at 600°C is allowed to cool in air at 30°C with a convective heat transfer coefficient of 35 W/m²K. Determine the temperatures at the centre, mid radius and surface after 30 minutes. Thermal diffusivity = 3.3×10^{-6} m²/s. Thermal conductivity = 7.2 W/mK. Specific heat = 837 J/kgK. Determine also the heat removed.
- 6.42** A vegetable piece of spherical shape and of dia 6 cm is to be cooked from 30°C till the centre reaches 75°C using steam at 110°C with a convection coefficient of 40 W/m²K. Determine the time required. Thermal diffusivity = 1.7×10^{-7} m²/s. Conductivity = 0.67 W/mK. Also calculate the surface temperature at this instant.
- 6.43** Steel balls of dia 0.2 m for a large bearing are to be cooled in a salt bath after heating to 720°C. The bath is at 160°C. The convection coefficient is 35 W/m²K. Determine the time required for the ball surface to reach 230°C. Density = 7865 kg/m³, specific heat = 461 J/kgK. Thermal conductivity 12.8 W/mK. Also calculate the centre temperature and average temperature for this period of cooling.
- 6.44** Meat balls of dia 10 cm are cooked from initial temperature of 30°C to 90°C (at surface) in a steam cooker at 130°C with a convection coefficient of 85 W/m²K. Determine the time required. Thermal diffusivity = 1.7×10^{-7} m²/s. Conductivity = 0.7 W/mK. Also calculate the centre temperature and heat conducted. Specific heat = 3800 J/kgK.

- 6.45 A cube of 10 cm side initially at 30°C is heated in a furnace at 1200°C with a convective heat transfer coefficient of 125 W/m²K. Determine the time for the centre to reach 900°C. Thermal properties are: density = 2400 kg/m³; conductivity = 1.965 W/mK ; specific heat = 1130 J/kgK.
- 6.46 A brick like object of sizes 6 × 9 × 15 cm at 30°C is heated in a furnace at 1200°C with a convection coefficient of 85 W/m² K. Determine the centre, corner and mid surface temperatures after 30 minutes. Density = 2400 kg/m³; conductivity = 1.965 W/mK. Specific heat = 1130 J/kgK.
- 6.47 A long billet of 9 cm × 15 cm section initially at 30°C is heated all around and at the base by gases at 1200°C with a convection coefficient of 125 W/m²K. Determine the corner and base centre temperatures after 20 minutes. Use property values of problem 6.46.
- 6.48 A short cylinder 10 cm radius and 20 cm height initially at 630°C is suddenly exposed to air at 30°C with a convective heat transfer coefficient of 25 W/m²K. Determine the centre and edge temperatures after 20 minutes. Use property value of problem 6.46.
- 6.49 A quarter sector of a cylinder of radius 0.1 m and height 0.2 m at 630°C is suddenly exposed to air at 30°C with a convection coefficient of 25 W/m²K. Determine the centre temperature. Use property values of problem 6.46.
- 6.50 A quarter of a sphere of radius 0.1 m initially at 600°C is exposed on all surfaces to convection at 30°C with a convective heat transfer coefficient of 25 W/m²K. Determine the temperature at corners, middle of edges and middle point of solid after 20 minutes. Use property values of problem 6.46.
- 6.51 A 1/8 part of a sphere of radius 0.1 m initially at 600°C is exposed on all surfaces to convection at 30°C with a convective heat transfer coefficient of 25 W/m²K. Determine the temperatures at corners and mid point of edges and the centre of the solid after 20 minutes. Use property values of problem 6.46.
- 6.52 A slab at 200°C has a heat generation of 2×10^{-6} W/m³ started at time zero. The slab is 0.18 m thick and is exposed on one side to convection to 200°C a convection coefficient of 150 W/m²K. Using numerical method determine the temperature at various thicknesses after 30 minutes. Thermal diffusivity = 8.58×10^{-6} m²/s. $k = 19.9$ W/mK.
- 6.53 Using the data in problem 6.52 for a long cylinder to diameter 0.18 m. Determine using numerical method the temperature after 30 minutes from the start of heat generation at various radial positions.

Answers for Objective Questions

1. (b), 2. (d), 3. (c), 4. (c), 5. (b), 6. (d), 7. 1-d, 2-c, 3-a, 4-b, 8. (c), 9. 1-b, 2-c, 3-d, 4-a.

7

CONVECTION

7.0 INTRODUCTION

In the previous chapters during the discussion of conduction problems convection was applied as a boundary condition only. The basic mechanism of convection was not discussed so far. In this chapter it is attempted to explain the basic mechanism of convection. In industrial processes involving heat transfer, convection plays a very important role. When heat is to be transferred from one fluid to another through a barrier convection is involved on both sides of the barrier. In most cases the main resistance to heat flow is by convection.

The process of heat transfer between a surface and a fluid flowing in contact with it is called convection. If the flow is caused by an **external device** like a pump or blower, it is termed as **forced convection**. If the flow is caused by the **buoyant forces** generated by heating or cooling of the fluid the process is called as **natural or free convection**.

In the previous chapters the heat flux by convection was determined using equation.

$$q = h (T_s - T_\infty) \quad \dots(7.1)$$

q is the heat flux in W/m^2 , T_s is the surface temperature and T_∞ is the fluid temperature of the free stream, the unit being $^\circ\text{C}$ or K . Hence the unit of convective heat transfer coefficient h is $\text{W/m}^2 \text{K}$ or $\text{W/m}^2 \text{ }^\circ\text{C}$ both being identically the same.

In this chapter the basic mechanism of convection and the method of analysis that leads to the correlations for convection coefficient are discussed. In this process the law of conservation of mass, First law of thermodynamics and Newton's laws of motion are applied to the system.

Convective heat transfer coefficient is influenced by (i) fluid properties like density, viscosity and other thermal properties like specific heat, conductivity (ii) the flow velocity and (iii) the surface geometry. As the properties vary with temperature and location the value of convective heat transfer coefficient will vary from point to point. This leads to the situation that analytically derived equations are applicable only to a limited extent. Practical correlations obtained through experiments are discussed in the next chapters. Property table for various fluids available in hand books is necessary for obtaining numerical value for convective heat transfer coefficient.

7.1 MECHANISM OF CONVECTION

In conduction, energy is transferred as heat either due to free electron flux or lattice vibration. There is no movement of mass in the direction of energy flow. In convection, energy flow occurs at the surface purely by conduction. But in the next layers both conduction and diffusion-mass movement in the molecular level or macroscopic level occurs. Due to the mass movement the rate

the rate of energy transfer is higher. Higher the rate of mass movement, higher will be the heat flow rate.

The velocity variation and the temperature variation at a point in the flow of a fluid over a surface is shown in Fig. 7.1.

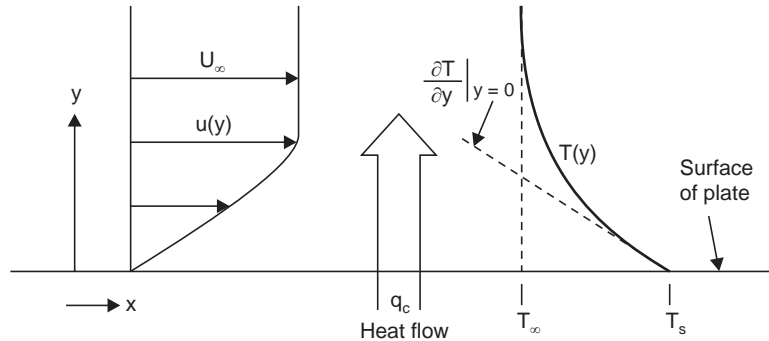


Fig. 7.1. Velocity and temperature variation of a point in a fluid flowing over a surface, laminar flow, plate hotter.

The fluid coming in contact with the surface receives heat by conduction. This is passed on by diffusion and mass movement to the fluid in the free stream.

Considering conduction at the surface layer the heat flux is given by the equation

$$q = -k \left. \frac{\partial T}{\partial y} \right|_{y=0} \quad \dots(7.2)$$

where k is the thermal conductivity of the fluid. Combining equations (7.1) and (7.2) we obtain equation. (7.3) for Convection coefficient.

$$h = -k \left. \frac{\partial T}{\partial y} \right|_{y=0} / (T_s - T_\infty) \quad \dots(7.3)$$

As the values of thermal conductivity of the fluid and the temperatures of the surface and the fluid, T_s and T_∞ are known, the value of convection coefficient can be determined if the temperature gradient at the surface is known. The model postulated is used to solve for temperature as a function of y so that the temperature gradient can be calculated. The gradient is influenced by the fluid stream and the surface. Boundary layer theory is applied for the determination of the gradient.

Example 7.1: Convert equation (7.3) into dimensionless form. This is done first by replacing T by a dimensionless temperature $T^* = (T - T_s)/(T_\infty - T_s)$ and y by a dimensionless distance $y^* = y/L$.

Solution: $\therefore \left. \frac{\partial T}{\partial y} \right|_{y=0} = \frac{(T_\infty - T_s)}{L} \left. \frac{\partial T^*}{\partial y^*} \right|_{y=0}$

Substituting and rearranging

$$\frac{hL}{k} = \frac{\partial [(T - T_s)/(T_\infty - T_s)]}{\partial (y/L)} \Big|_{y=0} \text{ or } \left. \frac{\partial T^*}{\partial y^*} \right|_{y=0} \quad \dots(7.4)$$

It may be noted that hL/k is dimensionless and this group is known as **Nusselt number (Nu)**, a ratio of conduction resistance to heat flow (L/k) and convection resistance to heat flow ($1/h$).

Example 7.2: Air at 20°C flows over plate at 60°C . The temperature at a location 0.5 mm from the surface is measured as 40°C . Determine the value of local convective heat transfer coefficient. The thermal conductivity may be taken as 0.2656 W/mK .

Solution: Approximately the gradient near the surface is

$$\frac{\partial T}{\partial y} = \frac{-20}{0.0005} \text{ }^\circ\text{C/m.}$$

Using equation (7.3)

$$\mathbf{h} = -0.02656 \times (-20/0.0005)/(60 - 20) = \mathbf{26.56\text{ W/m}^2\text{K.}}$$

As the distance is small, linear variation of temperatures is assumed. Hence this value becomes an estimate rather than an exact value.

Example 7.3: Air at 20°C flows over a surface at 80°C . The local heat flow was measured at a point as 1000 W/m^2 . Estimate the value of local convective heat transfer coefficient, temperature gradient at the surface and the temperature at a distance of 0.5 mm from the surface. Thermal conductivity of air can be taken as 0.02826 W/mK .

Solution: The value of local convection coefficient is determined using equation (7.1).

$$1000 = h(80 - 20), \quad \therefore \mathbf{h = 16.67\text{ W/m}^2\text{K}}$$

The temperature gradient at the surface is determined using equation (7.2).

$$1000 = -0.02826 \left. \frac{\partial T}{\partial y} \right|_{y=0} \quad \therefore \left. \frac{\partial T}{\partial y} \right|_{y=0} = -\mathbf{35385.7^\circ\text{C/m.}}$$

$$\text{The temperature at } \mathbf{0.0005\text{ m}} \text{ is } 80 + \left. \frac{\partial T}{\partial y} \right|_{y=0} \times \Delta y \quad (\text{approximately})$$

$$= 80 - 0.0005 \times 35385.7 = \mathbf{62.3^\circ\text{C}}$$

7.2 THE CONCEPT OF VELOCITY BOUNDARY LAYER

We have seen that in the determination of the convective heat transfer coefficient the key is the determination of the temperature gradient in the fluid at the solid-fluid interface. The velocity gradient at the surface is also involved in the determinations. This is done using the boundary layer concept to solve for $u = f(y)$, $T = f'(y)$. The simplest situation is the flow over a flat plate. The fluid enters with a uniform velocity of u_∞ as shown in Fig. 7.2. When fluid particles touch the surface of the plate the velocity of these particles is reduced to zero due to viscous forces. These particles in turn retard the velocity in the next layer, but as these two are fluid layers, the velocity is not reduced to zero in the next layer. This retardation process continues along the layers until at some distance y the scale of retardation becomes negligible and the velocity of the fluid is very nearly the same as free stream velocity u_∞ at this level. The retardation is due to shear stresses along planes parallel to the flow.

The value of y where velocity $u = 0.99 u_\infty$ is called **hydrodynamic boundary layer thickness denoted by δ** . The velocity profile in the boundary layer depicts the variation of u with y , through the boundary layer. This is shown in Fig. 7.2.

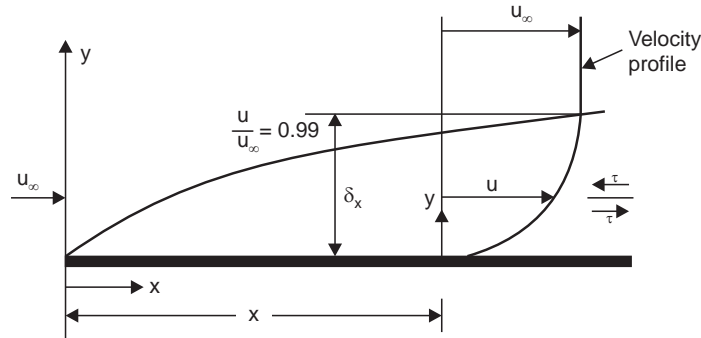


Fig. 7.2. Velocity boundary layer on a flat plate.

The model characterises the flow as consisting of two distinct regions (*i*) a thin boundary layer in which the velocity gradients and shear stresses are large and (*ii*) the remaining region outside of the boundary layer where the velocity gradients and shear stresses are negligibly small. This is also called potential flow. The boundary layer thickness increases along the direction of flow over a flat plate as effects of viscous drag is felt farther into the free stream.

This is called the velocity boundary layer model as this describes the variation of velocity in the boundary layer.

The direct application of velocity boundary layer is in fluid mechanics for the determination of the wall shear stress and then the dimensionless drag coefficient.

The net shear over the plate in flow is the wall shear and shear stress beyond the boundary layer is zero.

The wall shear is given by the equation

$$\tau_s = \mu \left. \frac{\partial u}{\partial y} \right|_{y=0} \quad \dots(7.5)$$

It may be seen that the velocity gradient can be determined if a functional relationship such as $u = f(y)$ is available. Such a relationship is obtained using the boundary layer model and applying the continuity and Newtons laws of motion to the flow. The friction coefficient C_f is defined as below.

$$C_f = \tau_s / (\rho u_\infty^2 / 2) \quad \dots(7.6)$$

There are local and average values for both τ_s and C_f denoted as $\tau_{s,x}$, $\bar{\tau}_s C_{fx}$ and \bar{C}_f . In heat transfer the friction coefficient by analogy is found to provide a value for Nusselt number and hence its importance. Measured values of C_f are also available for various values of an important parameter, namely Reynolds number. Curve fitted equations are also available for c_f .

Example 7.4: Air at 20°C flows over both sides of a surface measuring 0.2 m × 0.2 m. The drag force was 0.075 N. Determine the velocity gradient at the surface. Kinematic viscosity has a value of $15.06 \times 10^{-6} \text{ m}^2/\text{s}$. Density = $1.205 \text{ kg}/\text{m}^3$. Also determine the friction coefficient if the free stream velocity has a value of 40 m/s.

Solution: Using equation (7.5)

$$\text{Force} = \tau \cdot A = \mu A \left. \frac{\partial u}{\partial y} \right|_{y=0}; \mu = \nu \cdot \rho \quad \dots(a)$$

$$\frac{0.075}{2} = 15.06 \times 10^{-6} \times 0.2 \times 0.2 \times 1.205 \times \left. \frac{\partial u}{\partial y} \right|_{y=0}$$

Solving $\left. \frac{\partial u}{\partial y} \right|_{y=0} = 51660.6 \text{ (m/s)/m}$

Using equation (7.6)

$$C_f = \frac{0.075}{2 \times 0.2 \times 0.2} \times \frac{2}{1.205 \times 40 \times 40} = 0.973 \times 10^{-3} \quad \dots(b)$$

Note: Check for dimensional consistency of equation (a)

$$\text{Force} = N, \mu = \nu \rho = \frac{m^2}{s} \cdot \frac{kg}{m^3} = \frac{kg}{ms}, A = m^2$$

$$\left. \frac{\partial u}{\partial y} \right|_{y=0} = \frac{m}{s} \cdot \frac{1}{m}$$

$$\therefore N = \frac{m^2}{s} \cdot \frac{kg}{m^3} \cdot m^2 \cdot \frac{m}{s} \cdot \frac{1}{m} = kg \cdot \frac{m}{s^2} \text{ checks}$$

Considering equation (b) C_f is dimensionless

$$\frac{N}{m^2} \cdot \frac{m^3 s^2}{kg \cdot m^2} = N \cdot \frac{s^2}{kg \cdot m} = 1. \text{ Also checks.}$$

7.3 THERMAL BOUNDARY LAYER

Velocity boundary layer automatically forms when a real fluid flows over a surface, but thermal boundary layer will develop only when the fluid temperature is different from the surface temperature. Considering the flow over a flat plate with fluid temperature of T_∞ and surface temperature T_s the temperature of the fluid is T_∞ all over the flow till the fluid reaches the leading edge of the surface. The fluid particles coming in contact with the surface is slowed down to zero velocity and the fluid layer reaches equilibrium with the surface and reaches temperature T_s . These particles in turn heat up the next layer and a temperature gradient develops. At a distance y , the temperature gradient becomes negligibly small. **The distance y at which the ratio $[(T_s - T)/(T_s - T_\infty)] = 0.99$ is defined as thermal boundary layer thickness δ_t .** The flow can now be considered to consist of two regions. A thin layer of thickness δ_t in which the temperature gradient is large and the remaining flow where the temperature gradient is negligible. As the distance from the leading edge increases the effect of heat penetration increases and the thermal boundary layer thickness increases. The heat flow from the surface to the fluid can be calculated using the temperature gradient at the surface (equation 7.2). The temperature gradient is influenced by the nature of free stream flow. The convective heat transfer coefficient can be calculated using equation 7.3. Examples 7.2. and 7.3 illustrate the principles involved. The development of the thermal boundary layer is shown in Fig. 7.3.

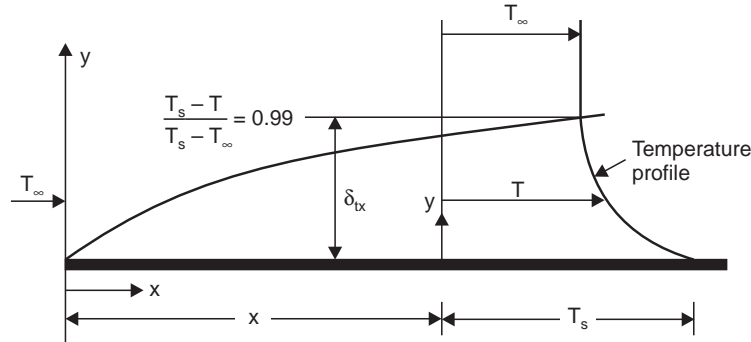


Fig. 7.3. Thermal boundary layer on a flat plate.

The thermal and velocity boundary layers will not be identical except in a case where $Pr = 1$. Additional influencing factors change the thickness of the thermal boundary layer as compared to the thickness of the velocity boundary layer at any location. Note that both boundary layers exist together. Similar development of boundary layer is encountered in convective mass transfer also.

Example 7.5: The temperature ratio $[(T_s - T)/(T_s - T_\infty)] = y/0.0075$ in a flow over a flat plate. If $k = 0.03 \text{ W/mK}$, determine the value of convective heat transfer coefficient.

Solution: The equation (7.2) is applicable for this case. The equation is

$$h = -k \left. \frac{\partial T}{\partial y} \right|_{y=0} / (T_s - T_\infty), \text{ from the given relationship}$$

$$\frac{\partial [(T_s - T)/(T_s - T_\infty)]}{\partial y} = -\frac{1}{(T_s - T_\infty)} \cdot \frac{\partial T}{\partial y} = \frac{1}{0.0075}$$

$$\therefore \left. \frac{\partial T}{\partial y} \right|_{y=0} = -\frac{T_s - T_\infty}{0.0075}$$

$$\text{Substituting } h = -0.03 \times -\left(\frac{T_s - T_\infty}{0.0075}\right) / (T_s - T_\infty) = 4 \text{ W/m}^2 \text{ K}.$$

Example 7.6: The temperature ratio $[(T_s - T)/(T_s - T_\infty)] = \sin(\pi y/0.015)$ in flow over a flat plate. If $k = 0.03 \text{ W/mK}$, determine the value of convective heat transfer coefficient.

Solution: $[(T_s - T)/(T_s - T_\infty)] = \sin(\pi y/0.015)$

$$\begin{aligned} \frac{\partial [(T_s - T)/(T_s - T_\infty)]}{\partial y} &= \frac{\partial}{\partial y} [\sin(\pi y/0.015)] (T_s - T_\infty) \\ &= \frac{\pi}{0.015} \cdot \cos(\pi y/0.015) (T_s - T_\infty) \end{aligned}$$

$$\text{or } \left. \frac{\partial T}{\partial y} \right|_{y=0} = -\frac{\pi(T_s - T_\infty)}{0.015} \cdot \cos(0) = \frac{-\pi(T_s - T_\infty)}{0.015}$$

$$\therefore h = -0.03 \times \left[\frac{-\pi(T_s - T_\infty)}{0.015} \right] / (T_s - T_\infty) = 6.28 \text{ W/m}^2 \text{ K}.$$

Example 7.7: *The temperature ratio*

$$[(T_s - T)/(T_s - T_\infty)] = \frac{1}{2} \left(\frac{y}{0.0075} \right)^3 + \frac{3}{2} \frac{y}{0.0075}$$

in flow over a flat plate. If $k = 0.03 \text{ W/mK}$, determine the value of convective heat transfer coefficient, given.

Solution:
$$\frac{(T_s - T)}{T_s - T_\infty} = \frac{1}{2} \left(\frac{y}{0.0075} \right)^3 + \frac{3}{2} \frac{y}{0.0075}$$

$$\frac{\partial [(T_s - T)/(T_s - T_\infty)]}{\partial y} = - \frac{1}{T_s - T_\infty} \frac{\partial T}{\partial y}$$

$$= \frac{3}{2} \frac{y^2}{0.0075^3} + \frac{3}{2} \cdot \frac{1}{0.0075} \text{ at } y = 0, \frac{\partial T}{\partial y} = - \frac{(T_s - T_\infty) \times 3}{2 \times 0.0075}$$

$$\therefore \mathbf{h = -0.03 \times \left[\frac{-(T_s - T_\infty) \times 3}{2 \times 0.0075} \right] / (T_s - T_\infty) = 6 \text{ W/m}^2\text{K}}$$

Note that in this case we may have to assume that beyond $y = 0.0075$, the temperature equals T_∞ .

These are some of the simple temperature profiles that may be used to approximate the value of convection coefficient.

7.4 LAMINAR AND TURBULENT FLOW

The formation of the boundary layer starts at the leading edge. In the starting region the flow is well ordered. The streamlines along which particles move is regular. The velocity at any point remains steady. This type of flow is defined as laminar flow. There is no macroscopic mixing between layers. The momentum or heat transfer is mainly at the molecular diffusion level. After some distance in the flow, macroscopic mixing is found to occur. Large particles of fluid is found to move from one layer to another. The motion of particles become irregular. The velocity at any location varies with respect to a mean value. The flow is said to be turbulent. Due to the mixing the boundary layer thickness is larger. The energy flow rate is also higher. The velocity and temperature profiles are flatter, but the gradient at the surface is steeper due to the same reason. This variation is shown in Fig. 7.4.

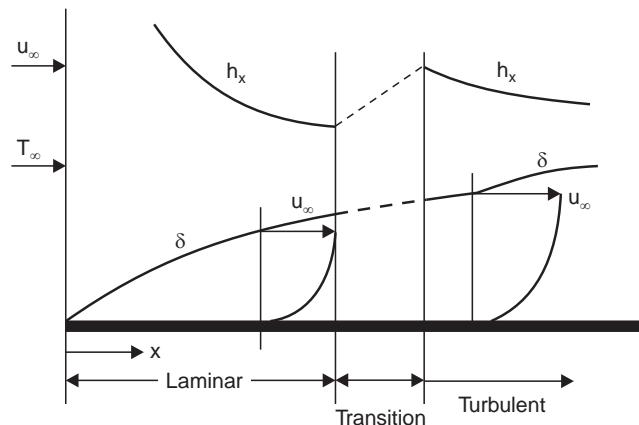


Fig. 7.4. Building up of boundary layer over a flat plate—Laminar—Turbulent.

The changeover does not occur at a sharp location. However for calculations some location has to be taken as the change over point. In the velocity boundary layer, this transition is determined by a dimensionless group, Reynolds number-defined for flow over a plate by the equation

$$Re_x = \rho u_\infty x / \mu \quad \text{or} \quad u_\infty x / \nu \quad \dots(7.7(a))$$

For flow in a tube or across a tube or sphere it is given by the equation.

$$Re = \rho u_\infty D / \mu \quad \text{or} \quad u_\infty D / \nu \quad \dots(7.7(b))$$

The grouping represents the ratio of inertia and viscous forces. Upto a point the inertia forces keep the flow in order and laminar flow exists. When the viscous forces begin to predominate, movement of particles begin to be more random and turbulence prevails.

The **transition Reynolds number** for flow over a flat plate depends on many factors and may be anywhere from 10^5 to 3×10^6 . Generally the value **is taken as 5×10^5** unless otherwise specified. For **flow through tubes the transition value is 2300, unless otherwise specified.**

In the quantitative estimation of heat flow, the correlation equations for the two regions are distinctly different and hence it becomes necessary first to establish whether the flow is laminar or turbulent.

Turbulent flow is more complex and exact analytical solutions are difficult to obtain. Analogical model is used to obtain solutions.

7.5 FORCED AND FREE CONVECTION

When heat transfer occurs between a fluid and a surface, if the flow is caused by a fan, blower or pump or a forcing jet, the process is called **forced convection**. The boundary layer development is similar to the descriptions in the previous section. When the temperature of a surface immersed in a stagnant fluid is higher than that of the fluid, the layers near the surface get heated and the density decreases in these layers.

The surrounding denser fluid exerts buoyant forces causing fluid to flow upwards near the surface. This process is called **free convection flow** and heating is limited to a layer, as shown in Fig. 7.5. The heat transfer rate will be lower as the velocities and temperature gradients are lower. If the surface temperature is lower, the flow will be in the downward direction.

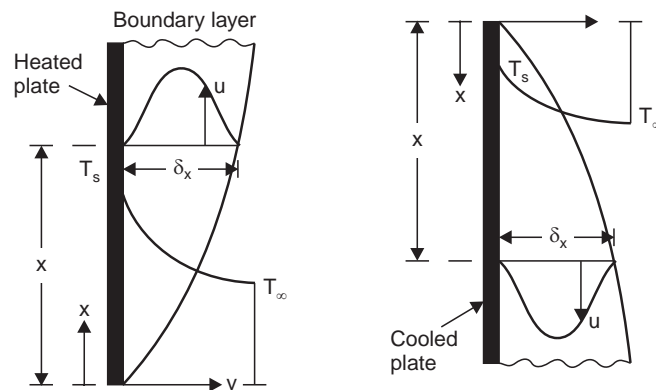


Fig. 7.5. Free convection boundary layer near a vertical surface.

7.6 METHODS USED IN CONVECTION STUDIES

The important methods of analysis used in convection studies are

1. Analytical method which can again be subdivided as
 - (i) Formulating and solving the differential equation, also known as exact method
 - (ii) Formulating and solving integral equations using assumed profiles for velocity and temperature—(approximate analysis)
 - (iii) Numerical finite element method
2. Dimensional analysis
3. Analogical methods which apply solutions from one transport phenomenon to another
4. Empirical correlations developed from experimental results guided by the results of analytical methods and dimensional analysis.

The analytical methods provide a basis as well as validation for any empirical correlation postulated using experimental results. Dimensional analysis also provides an insight into the possible ways in which empirical relations can be attempted. Analogical method is very helpful in extending the solutions from one transport phenomenon to another. This is particularly found useful in treating turbulent flow.

When it comes to quantitative estimation one has to largely depend today on correlations obtained from many experimental results. However such correlations are based on a strong foundation laid by analytical methods and as such are reliable for design. At first glance the number of correlations may overwhelm a learner but one has to understand that the complexity of the phenomenon and the variety of materials encountered make it necessary to use different correlations for different range of values of variables.

The future may prove to be completely different because the availability of softwares (of course based on the basic principles) and powerful computers may lead to the use of the finite element method extensively, and the correlations may be used only for a check of values so obtained. It is necessary for a learner with the future in mind to expose himself to the use such softwares for convection studies also.

7.6.1. Analytical method: Formulation of differential equations : We have seen that to solve for the shear stress and friction coefficient the velocity gradient at the surface has to be determined. Similarly to solve for the convection coefficient the temperature gradient at the surface has to be determined. This can be done by considering control volume element in the boundary layer and applying the law of conservation of mass, Newtons second law and first law of thermodynamics. The resulting differential equations are solved for the given boundary to obtain $u = f(y)$ and $T = f_1(y)$. The gradients can be obtained by differentiation of these functions. As the temperature and velocity gradients are negligible beyond the respective boundary layers, it is found sufficient to restrict the solution to the boundary layer. This also provides a boundary condition required for the solution.

The control volume in the boundary layer considered and the various quantities flowing in and out of the element are shown in Fig. 7.6.

First the law of conservation of mass is applied to the volume of section dx , dy and depth unity. The application of the law leads to the statement below: The net mass flow through the

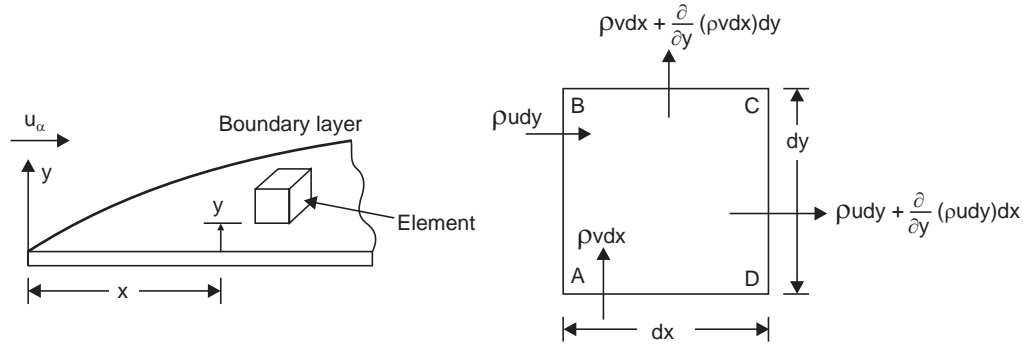


Fig. 7.6. Control volume considered for derivation of continuity equation.

bounding surfaces of the volume = mass stored in the volume. Considering a time interval of $d\tau$,

$$\text{Flow through face } AB = \rho u \, dy \cdot 1 \cdot d\tau$$

$$\text{Flow through face } CD = \rho u \cdot dy \cdot 1 \cdot d\tau + \frac{\partial}{\partial x} (\rho u \, dy \cdot 1) \, dx \, d\tau$$

$$\text{Flow through face } AD = \rho v \, dx \cdot 1 \cdot d\tau$$

$$\text{Flow through face } BC = \rho v \, dx \cdot 1 \cdot d\tau + \frac{\partial}{\partial y} (\rho v \, dx \cdot 1) \, dy \, d\tau$$

Taking the difference, Net mass flow

$$= \frac{\partial}{\partial x} (\rho u) \, dx \, dy \, d\tau + \frac{\partial}{\partial y} (\rho v) \, dx \, dy \, d\tau$$

$$\text{Mass stored in the volume} = dx \cdot dy \cdot 1 \cdot d\rho$$

simplifying, we get

$$\frac{\partial(\rho u)}{\partial x} + \frac{\partial(\rho v)}{\partial y} = \frac{\partial \rho}{\partial \tau} \quad \dots(7.8(a))$$

For steady flow, no storage is possible,

$$\therefore \frac{\partial(\rho u)}{\partial x} + \frac{\partial(\rho v)}{\partial y} = 0 \quad \dots(7.8(b))$$

For incompressible flow or constant density conditions $\rho = \text{constant}$.

$$\frac{\partial u}{\partial x} + \frac{\partial v}{\partial y} = 0 \quad \dots(7.8(c))$$

This equation is known as continuity equation.

7.6.2. Momentum equation: Newtons second law of motion is applied to the control volume. The statement resulting from the application is

x directional forces = rate of change of x directional momentum.

In boundary layer analysis we are interested in the x directional faces.

The resulting equation is known as momentum equation (for x direction)

The flow quantities and forces are shown in Fig. 7.7.

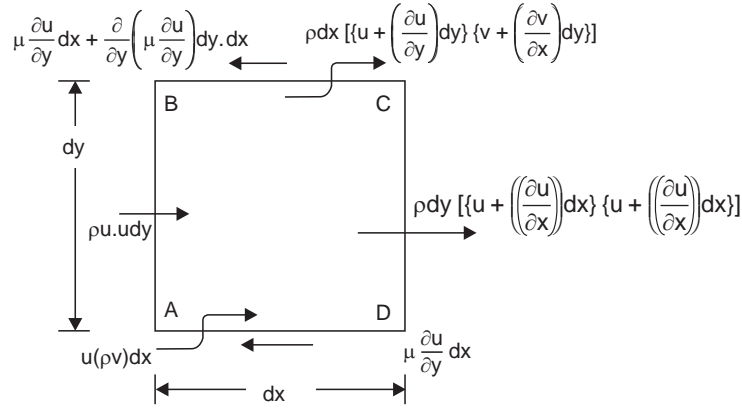


Fig. 7.7. *x*-directional momentum flow through the control volume.

Again an element of unit depth is considered. The pressure and body forces are neglected as these do not contribute significantly for the boundary layer flow discussed.

Considering unit depth, the *x* directional momentum flow through various faces is listed below. (constant density conditions)

face *AB*: $u (\rho u dy.1)$

face *CD*: $\left(u + \frac{\partial u}{\partial x} dx\right) \rho \left(u + \frac{\partial u}{\partial x} dx\right) dy.1$

face *AD*: $u (\rho v dx.1)$

face *BC*: $\left(u + \frac{\partial u}{\partial y} dy\right) \left(v + \frac{\partial v}{\partial y} dy\right) \rho dx.1$

Neglecting higher order terms, the net momentum flow is given by

$$\rho u \frac{\partial u}{\partial x} dx dy + \rho u \frac{\partial u}{\partial x} dx dy + \rho v \frac{\partial u}{\partial y} dx dy + \rho u \frac{\partial v}{\partial y} dx dy$$

Rearranging this

$$\rho u \frac{\partial u}{\partial x} dx dy + \rho v \frac{\partial u}{\partial y} dx dy + \rho u \left(\frac{\partial u}{\partial x} + \frac{\partial v}{\partial y}\right) dx dy$$

As $\frac{\partial u}{\partial x} + \frac{\partial v}{\partial y} = 0$ as per the continuity equation, the net momentum flow is equal to

$$\rho u \frac{\partial u}{\partial x} dx dy + \rho v \frac{\partial u}{\partial y} dx dy$$

The net surface shear forces in the *x* direction is equal to

$$\frac{\partial}{\partial y} \left(\mu \frac{\partial u}{\partial y} \right) dy dx$$

Rearranging,

$$u \frac{\partial u}{\partial x} + v \frac{\partial u}{\partial y} = v \frac{\partial^2 u}{\partial y^2} \quad \dots(7.9)$$

Where ν is the kinematic viscosity equal to μ/ρ . This is also called momentum diffusivity.

These two equations can be written in the dimensionless form by defining the following terms.

$$x^* = \frac{x}{L}, y^* = \frac{y}{L}, u^* = \frac{u}{u_\infty}, v^* = \frac{v}{u_\infty}$$

Then the dimensionless forms are

$$\frac{\partial u^*}{\partial x^*} + \frac{\partial v^*}{\partial y^*} = 0 \quad \dots(7.10)$$

$$u^* \frac{\partial u^*}{\partial x^*} + v^* \frac{\partial v^*}{\partial y^*} = \frac{1}{Re_L} \frac{\partial^2 v^*}{\partial y^{*2}} \quad \dots(7.11)$$

This also indicates that Reynolds number Re_L plays an important role in boundary layer flow. Equation (7.6) for coefficient of friction, C_f similarly can be expressed as

$$C_{fx} = \frac{2}{Re_L} \left. \frac{\partial u^*}{\partial y^*} \right|_{y=0} \quad \dots(7.12)$$

The continuity equation and momentum equation have to be solved simultaneously to obtain the velocity profile in the boundary layer. This leads to the determination of boundary layer thickness and coefficient of friction, through velocity gradient.

These equations are solved by first defining a stream function $\psi(x, y)$ that automatically satisfies the continuity equation

$$u = \frac{\partial \psi}{\partial y} \quad \text{and} \quad v = -\frac{\partial \psi}{\partial x}$$

Introducing a new variable

$$\eta = y \sqrt{\frac{u_\infty}{\nu x}}, \text{ we can let } \psi = \sqrt{\nu x u_\infty} f(\eta)$$

where $f(\eta)$ denotes a dimensionless stream function

$$u = \frac{\partial \psi}{\partial y} = \frac{\partial \psi}{\partial \eta} \cdot \frac{\partial \eta}{\partial y} = u_\infty \frac{d[f(\eta)]}{d\eta}$$

$$v = -\frac{\partial \psi}{\partial x} = \frac{1}{2} \sqrt{\frac{\nu u_\infty}{x}} \left\{ \frac{d[f(\eta)]}{d\eta} \cdot \eta - f(\eta) \right\}$$

Expressing the partial differentials in terms of η and substituting in the equation a non linear ordinary differential equation is obtained

$$f(\eta) \cdot \frac{d^2[f(\eta)]}{d\eta^2} + 2 \frac{d^3[f(\eta)]}{d\eta^3} = 0$$

The boundary conditions to be applied are

$$f(\eta) = 0 \text{ and } \frac{d[f(\eta)]}{d\eta} = 0 \text{ when } \eta = 0. \quad \frac{d[f(\eta)]}{d\eta} = 1 \text{ at } \eta = \infty.$$

The equation was numerically solved by Blasius in 1908. The results show that when $\frac{u}{u_\infty}$ is plotted against $\frac{y}{x} \sqrt{Re_x}$ a single curve results for the velocity profile. This is shown in Fig. 7.8. The results are validated by experimental results by Hansen. Recent computerised solutions also validate the results obtained.

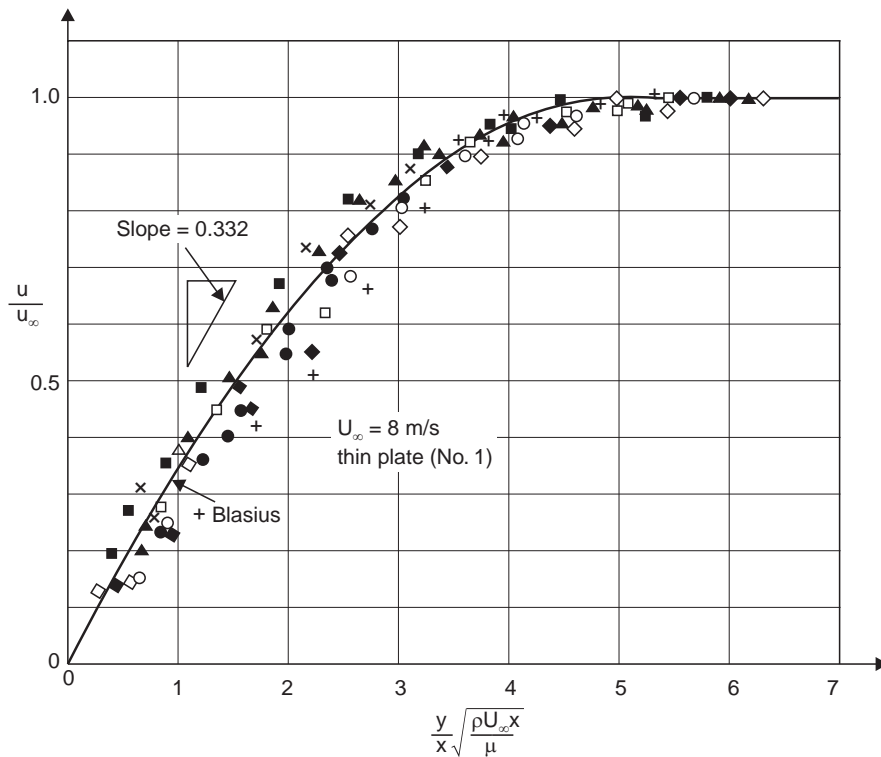


Fig. 7.8. Velocity profile in a laminar boundary layer according to Blasius, with experimental data of Hansen courtesy of the National Advisory Committee for Aeronautics, NACA TM 585.

Two **significant conclusions** are arrived at from the Blasius solution.

The ratio $\frac{u}{u_\infty}$ reaches a value of **0.99** at

$$\frac{y}{x} \sqrt{Re_x} = 5$$

As per the definition of boundary layer thickness $y = \delta$ at this condition. This leads to the very important relation

$$\delta_x = \frac{5x}{\sqrt{Re_x}} \quad \dots(7.13)$$

The other result is that the slope at $y = 0$ for the velocity profile was calculated as 0.332. When applied to the graph.

$$\left. \frac{\partial (u/u_\infty)}{\partial \left(\frac{y}{x} \right) \sqrt{Re_x}} \right|_{y=0} = 0.332 \quad \therefore \quad \left. \frac{\partial u}{\partial y} \right|_{y=0} = 0.332 \cdot \frac{u_\infty}{x} \sqrt{Re_x}$$

$$\therefore \quad \tau_s = \mu \left. \frac{\partial u}{\partial y} \right|_{y=0} = 0.332 \cdot \mu \frac{u_\infty}{x} \sqrt{Re_x} \quad \dots(7.14)$$

$$C_{fx} = \frac{\tau_s}{\frac{1}{2} u_\infty^2} = \frac{0.664}{\sqrt{Re_x}} \quad \dots(7.15)$$

$$\bar{C}_f = \frac{1}{L} \int_0^L C_{fx} dx = 1.33 / \sqrt{Re_L} \quad \dots(7.16)$$

or

$$= [2 C_{fL}]_{x=L}$$

The coefficient of friction is not directly involved in heat transfer. Later this quantity is related to Nusselt number using analogy between heat transfer and momentum transfer. This quantity is more conveniently measurable by experimental methods, compared to heat flow measurement. Hence this coefficient proves very useful in heat transfer studies. Moody diagram is a source for the values coefficient of friction.

Example 7.8: Water at 30°C flows over a flat plate with a free stream velocity of 0.6 m/s. Determine the local and average friction coefficient at 0.5 m from the leading edge. Also determine the local wall shear stress.

Solution: The property of water at 30°C is read from tables.

$$v = 1.006 \times 10^{-6} \text{ m}^2/\text{s} \quad \rho = 1000 \text{ kg/m}^3$$

$$Re_x = \frac{u_\infty x}{v} = \frac{0.6 \times 0.5}{1.006 \times 10^{-6}} = 2.98 \times 10^5 < 5 \times 10^5$$

So the flow is laminar

$$\therefore \quad C_{fL} = 0.664/(Re_L)^{0.5} = 1.22 \times 10^{-3}, \quad \bar{C}_f = 2 \times C_{fL} = 2.44 \times 10^{-3}$$

$$\text{From equation (7.14) } \tau_{sx} = \mu \left. \frac{du}{dy} \right|_{y=0} = \mu \cdot 0.332 \cdot \frac{u_\infty}{x} \sqrt{Re_x}$$

$$= 1.006 \times 10^{-6} \times 1000 \times 0.332 \times \frac{0.6}{0.5} \sqrt{2.98 \times 10^5} = 0.219 \text{ N/m}^2$$

7.7 ENERGY EQUATION

This equation is obtained by applying the first law of thermodynamics to the element in the boundary layer as shown in Fig. 7.8(a). The specific heat is denoted by c .

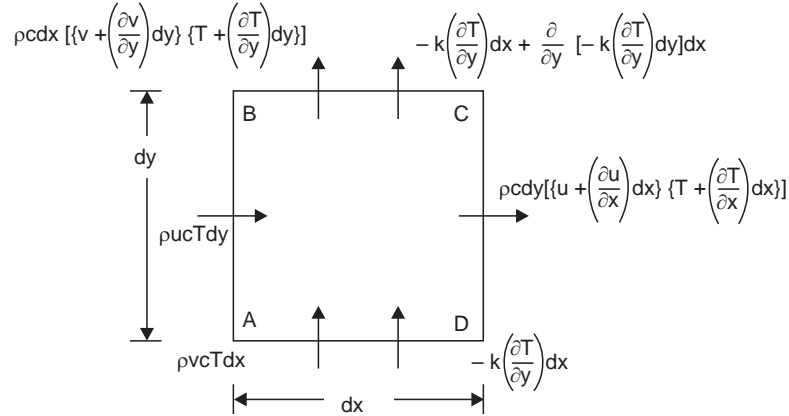


Fig. 7.8 (a) Energy flow through the elemental control volume.

Considering unit depth and neglecting viscous work, the application of the first law leads to the statement-**under steady conditions, the heat flow in = heat flow out.**

The energy flow with the mass flow through various faces are :

face AB : $\rho u c T dy . 1$

face CD : $\rho c \left(u + \frac{\partial u}{\partial x} dx \right) \left(T + \frac{\partial T}{\partial x} dx \right) dy . 1$

face DA : $\rho c v T . dx . 1$

face BC : $\rho c \left(v + \frac{\partial v}{\partial y} dy \right) \left(T + \frac{\partial T}{\partial y} dy \right) . dx . 1$

The net energy flow with the mass is given by (neglecting higher order terms)

$$\rho c u \frac{\partial T}{\partial x} dx dy . 1 + \rho c v \frac{\partial T}{\partial y} dx dy . 1 + \rho c T \left(\frac{\partial u}{\partial x} + \frac{\partial v}{\partial y} \right) dx dy . 1$$

The third term is zero as the quantity within the bracket is zero.

The energy conducted into the volume along the x direction is negligible. Summing the heat conducted through face AD and BC , the net heat flow by conduction is

$$k . \frac{\partial^2 T}{\partial y^2} dx dy . 1$$

Summing up we get equation (7.17) known as energy equation

$$u . \frac{\partial T}{\partial x} + v \frac{\partial T}{\partial y} = \alpha \frac{\partial^2 T}{\partial y^2} \quad \dots(7.17)$$

where $\alpha = k/\rho c$ known as thermal diffusivity, as already defined in chapter 1.

The non dimensional form of the equation is obtained by defining

$$T^* = \frac{T - T_s}{T_\infty - T_s}$$

$$u^* \frac{\partial T^*}{\partial x^*} + v^* \frac{\partial T^*}{\partial y^*} = \frac{1}{Re Pr} \frac{\partial^2 T^*}{\partial y^{*2}} \quad \dots(7.18)$$

This equation indicates that Prandtl number influences the heat transfer situation in addition to Reynolds number. The similarity between the momentum and energy equations is obvious. If $\alpha = \nu$, then we can say that the velocity profile calculated will directly apply for the temperature profile $\alpha = \nu$ means $Pr = 1$. But this is not the case as Prandtl number have higher values for liquids. The solutions for temperature profiles in laminar flow obtained by Pohlhausen is shown plotted in Fig. 7.8(b).

The result is that separate temperature profiles were obtained for different Prandtl numbers, as illustrated in Fig. 7.8(b). This is of no great use as unification is not possible.

These values when modified by $Pr^{1/3}$ resulted in a single curve as shown in Fig. 7.8(c).

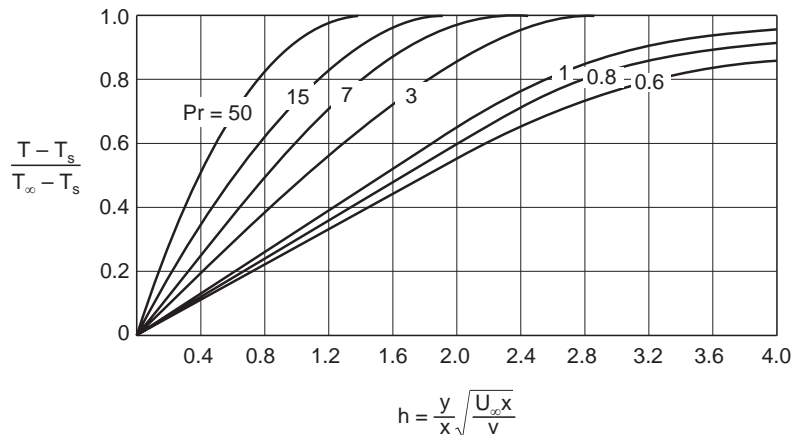


Fig. 7.8 (b) Dimensionless temperature distributions in a fluid flowing over a heated plate for various Prandtl numbers.

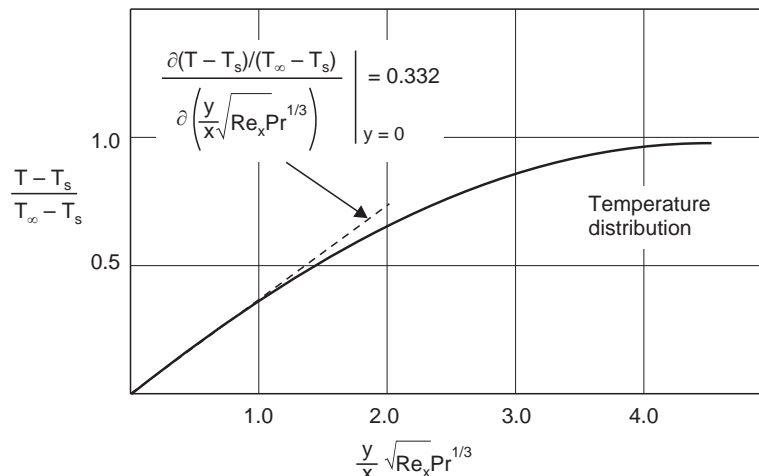


Fig. 7.8 (c) Dimensionless temperature distribution for laminar flow over a heated plate at uniform temperature.

In this case the temperature ratio $(T - T_s)/(T_\infty - T_s)$ reached a value of 0.99 at $\frac{y}{x} Re_x^{1/2} Pr^{1/3} = 5$.

Hence the thermal boundary layer was obtained as

$$\delta_{th} = \frac{\delta_h}{Pr^{1/3}} = \frac{5x}{Re_x^{1/2} Pr^{1/3}} \quad \dots(7.19)$$

Also the slope at $y = 0$ was obtained as 0.332

$$i.e., \quad \left. \frac{\partial [(T - T_s)/(T_\infty - T_s)]}{\partial \left[\left(\frac{y}{x} \right) \cdot Re_x^{1/2} Pr^{1/3} \right]} \right|_{y=0} = 0.332.$$

$$\therefore \quad \left. \frac{\partial T}{\partial y} \right|_{y=0} = 0.332 \frac{Re_x^{1/2} Pr^{1/3} (T_\infty - T_s)}{x}$$

$$\text{Heat flux} \quad q_x = -k \left. \frac{\partial T}{\partial y} \right|_{y=0} = -0.332 k \frac{Re_x^{1/2} Pr^{1/3}}{x} (T_\infty - T_s)$$

$$h_x = \frac{q_x}{T_s - T_\infty} = 0.332 \frac{k}{x} \cdot Re_x^{1/2} Pr^{1/3} \quad \dots(7.20)$$

$$\therefore \quad \frac{h_x x}{k} = Nu_x = 0.332 Re_x^{1/2} Pr^{1/3} \quad \dots(7.21)$$

The value of Nusselt number at length L is

$$Nu_L = 0.334 Re_L^{1/2} Pr^{1/3} \quad \dots(7.22)$$

$$\bar{Nu}_L = 0.664 Re_L^{1/2} Pr^{1/3} \quad \dots(7.22(b))$$

The average value of h upto L is

$$\bar{h} = 2 h (x = L) \quad \dots(7.23)$$

From experimental results it is found that these equations are applicable if the property values are used at film temperature $(T_s + T_\infty)/2$.

Example 7.9: Air at 20°C and one atmosphere flows over a surface at 100°C with a free stream velocity of 6 m/s. Determine the values of Reynolds number, thermal and hydrodynamic boundary layer thicknesses and the local value and average values of convective heat transfer coefficients at distances of 0.1, 0.25, 0.5, 0.75, 1, 1.25 m from the leading edge. Also determine the length at which the flow turns to turbulent taking critical Reynolds number as 5×10^5 .

Solution: The temperature at which properties are to be read is $(20 + 100)/2 = 60^\circ\text{C}$ for air at one atmospheric pressure. The following values are read from tables:

$$\nu = 18.97 \times 10^{-6} \text{ m}^2/\text{s}, Pr = 0.696,$$

$$k = 0.02896 \text{ W/mK (these being the required ones for the problem)}$$

$$Re_x = \frac{u_\infty x}{\nu}, \delta_x = 5x/Re_x^{1/2}, \delta_{thx} = \delta_x/Pr^{1/3}$$

$$Nu_x = 0.332 Re_x^{1/2} Pr^{1/3} \quad h_x = Nu_x k/x, \bar{h}_L = 2h_L$$

The calculated values are given below

x , m	0.1	0.25	0.5	0.75	1.0	1.25	1.5
Re_x	31629	79072	1.58×10^5	2.37×10^5	3.16×10^5	3.95×10^5	4.74×10^5
δ_x , mm	2.81	4.45	6.29	7.7	8.89	9.94	10.89
δ_{thx} , mm	3.17	5.02	7.10	8.69	10.03	11.22	12.29
Nu_x	52.32	82.73	117	143.3	165.5	185	202.7
h_L , W/m ² K	15.15	9.58	6.78	5.53	4.79	4.29	3.91
\bar{h}_L , W/m ² K	30.30	19.16	13.56	11.06	9.58	8.58	7.82

The distance at which $Re_x = 5 \times 10^5$ is determined using

$$\frac{6 \times x}{18.97 \times 10^{-6}} = 5 \times 10^5, \text{ solving } x = 1.58 \text{ m}$$

plotting these tabulated result to scale, (particularly h) will be useful for understanding the phenomenon. The reason for the reduction in the value of convective heat transfer coefficient can be roughly explained as due to thicker layer through which diffusion has to take place along the direction of flow.

7.8 INTEGRAL METHOD

The integral method uses the idea of control volume large enough to contain the boundary layer and the net flows are summed by integration rather than by using the rates. The details are shown in Fig. 7.9.

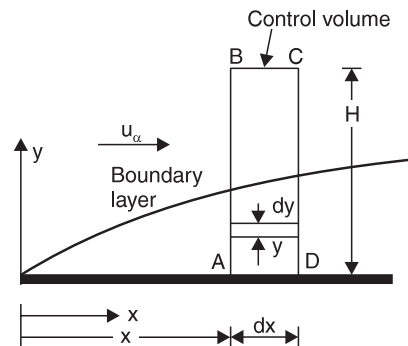


Fig. 7.9. Control volume used in the integral method.

The shear force along surface BC and the conduction across it is zero as it is beyond the boundary layer.

The mass or energy or momentum flow is obtained by considering a small layer by at y from the wall and integrating it over the whole face. For example, the energy flowing over face AB is given by

$$\text{Energy flow along } AB = \int_0^H \rho u c T dy$$

and the flow out across CD is given by

$$\int_0^H \rho u c T dy + \frac{\partial}{\partial x} \left[\int_0^H \rho u c T dy \right] \cdot dx$$

The heat flow is by conduction at the surface AD , and this is calculated using Fourier's law. (Refer solved problems 7.20 and 7.22 for detailed working).

The integration is possible if the velocity and temperature profiles satisfying the boundary condition is assumed. A suitable velocity profile satisfying boundary conditions at $y = 0$ and $y = \delta$ is

$$\frac{u}{u_\infty} = \frac{3}{2} \frac{y}{\delta} - \frac{1}{2} \left(\frac{y}{\delta} \right)^3 \quad \dots(7.24)$$

This yields boundary layer thickness as

$$\delta_x = 4.64 x / \sqrt{Re_x} \quad \dots(7.25)$$

The friction coefficient is given by

$$C_{fx} = 0.647 (Re_x)^{-0.5} \quad \dots(7.26)$$

The values differ from the values obtained from exact analysis only by a small percentage. An important strength of the method is that it is possible to use it for more exacting boundary conditions. Also it has been proved that it is possible to obtain a universal velocity profile using dimensionless quantities. This profile can be used to obtain good approximations when other methods fail.

The thermal boundary layer thickness can be determined using a temperature profile of the form

$$\frac{T_s - T}{T_s - T_\infty} = \frac{3}{2} \frac{y}{\delta_{th}} - \frac{1}{2} \left(\frac{y}{\delta_{th}} \right)^3 \quad \dots(7.27)$$

This yields a local Nusselt number given by equation (7.28), which differs very little from equation (7.20).

$$Nu_x = 0.33 Re_x^{0.5} Pr^{0.33} \quad \dots(7.28)$$

The use of finite element softwares for analysis will replace this method also in the near future. But the method helps in understanding the basic principles involved. See solved problem 7.20 for derivations.

7.9 DIMENSIONAL ANALYSIS

When more than three parameters influence a problem it becomes very difficult to analyse the effect of each on the problem. It is found desirable to group these parameters into dimensionless parameters so that the number of variables can be reduced to three. In this attempt to formulate dimensionless groups the π -theorem proposed by Buckingham is useful. The theorem states that if there are m physical quantities involved in a problem requiring n primary dimensions to express them, then the number of independent dimensionless groups that can be formed is equal to $(m-n)$. In case there are seven quantities and four dimensions, it is possible to group these as

$$\pi_1 = f(\pi_2, \pi_3)$$

where π_1 , π_2 and π_3 are dimensionless groups. The dimensional analysis aids in the identification of the groups. This approach provides a method to represent or correlate experimental results. This method does not lead to exact functional relationship and it also does not ensure that all the variables are correctly chosen. Fluid mechanics and Heat transfer studies involve a large number of dimensionless parameters like Reynolds number, Nusselt number etc which have been first identified using this method. Almost all empirical correlations are based on these parameters so identified. The application of the method is illustrated by a problem under the section solved problems. (7.16 and 7.17)

Example 7.10: Using the method of dimensional analysis obtain the dimensionless numbers in the case of forced convection.

After listing out the influencing parameter with dimensions repeating variables are chosen. The number of repeating variables equals the number of dimensions involved in representing the influencing parameters.

Parameter	Symbol	Unit	Dimensions
Flow length	L	m	L
Flow velocity	u_∞	m/s	L/t
Fluid density	ρ	kg/m^3	M/L^3
Fluid viscosity	μ	kg/ms	M/Lt
Conductivity	k	W/mK	ML/t^3T
Specific heat	C	$J/kg K$	$L^2/t^2 T$
Convection coefficient	h	$W/m^2 K$	$M/t^3 T$

L -length, M -mass, t -time, T -temperature.

Solution: There are seven variables and four dimensions. So there can be three π terms.

The length L , density ρ , conductivity k and viscosity μ are chosen as repeating variables. These should contain all the four dimensions and one should not be a simple product of the other. With the repeating variables each of the other parameters form the π terms. For example, first

$$\pi_1 = L^a \rho^b k^c \mu^d h = L^a \frac{M^b}{L^{3b}} \frac{M^c L^c}{t^{3c} T^c} \cdot \frac{M^d}{L^d t^d} \cdot \frac{M}{t^3 T} \quad \dots(a)$$

As the π terms are dimensionless, the dimensions on the R.H.S. should also be zero. This leads to four equations, solving which the dimensionless parameter is obtained. In this case, taking the dimensions on the R.H.S. one by one

$$L \longrightarrow a - 3b + c - d = 0$$

$$M \longrightarrow b + c + d + 1 = 0$$

$$t \longrightarrow -3c - d - 3 = 0$$

$$T \longrightarrow -c - 1 = 0$$

Solving $a = 1$, $b = 0$, $c = -1$ and $d = 0$

Substituting in equation (a),

$$\pi_1 = L^1 \rho^0 k^{-1} \mu^0 h = \frac{hL}{k} \quad \text{(Nusselt Number)}$$

$$\pi_2 = L^a \rho^b k^c \mu^d c = L^a \frac{M^b}{L^{3b}} \cdot \frac{M^c L^c}{t^{3c} T^c} \cdot \frac{M^d}{L^d t^d} \cdot \frac{L^2}{t^2 T} \quad \dots(b)$$

As before considering each dimension on the R.H.S.

$$L \longrightarrow a - 3b + c - d + 2 = 0$$

$$M \longrightarrow b + c + d = 0$$

$$t \longrightarrow -3c - d - 2 = 0$$

$$T \longrightarrow -c - 1 = 0.$$

Solving $a = 0$, $b = 0$, $c = -1$, $d = 1$.

Substituting in equation (b)

$$\pi_2 = L^0 \rho^0 k^{-1} \mu^1 c = \frac{c\mu}{k} \quad \text{(Prandtl number)}$$

$$\pi_3 = L^a \rho^b k^c \mu^d u_\infty = L^a \frac{M^b}{L^{3b}} \cdot \frac{M^c L^c}{t^{3c} T^c} \cdot \frac{M^d}{L^d t^d} \cdot \frac{L}{t} \quad \dots(c)$$

Summing up the indices for each dimension.

$$L \longrightarrow a - 3b + c - d + 1 = 0$$

$$M \longrightarrow b + c + d = 0$$

$$t \longrightarrow -3c - d - 1 = 0$$

$$T \longrightarrow -c = 0.$$

Solving, $a = 1$, $b = 1$, $c = 0$, $d = -1$

$$\therefore \pi_3 = L^1 \rho^1 k^0 \mu^{-1} u_\infty = \frac{u_\infty \rho L}{\mu}. \quad \text{(Reynolds number)}$$

We can now write $Nu = f(Re, Pr)$;

But the exact function has to be determined by experiments.

Two more problems are worked out by Rayleigh method under solved problems in 7.16 and 7.17.

Example 7.11: Convert the energy equation (7.15) into dimensionless form:

The equation is given by

$$u \frac{\partial T}{\partial x} + v \frac{\partial T}{\partial y} = \alpha \frac{\partial^2 T}{\partial y^2}.$$

Solution: u, v, T, x, y are the dimensional quantities. These can be replaced by using dimensionless quantities defined below.

$$u^* = u/u_\infty, v^* = v/u_\infty, x^* = x/L, y^* = y/L \text{ and}$$

$$T^* = (T - T_s)/(T_\infty - T_s)$$

$$\therefore u \frac{\partial T}{\partial x} = \frac{u^* u_\infty}{L(T_\infty - T_s)} \frac{\partial T^*}{\partial x^*}, v \frac{\partial T}{\partial y} = \frac{v^* u_\infty}{L(T_\infty - T_s)} \frac{\partial T^*}{\partial y^*}$$

$$\alpha \frac{\partial^2 T}{\partial y^2} = \frac{k}{\rho c} \cdot \frac{1}{L^2} \cdot \frac{1}{(T_\infty - T_s)} \cdot \frac{\partial^2 T^*}{\partial y^{*2}}$$

Substituting

$$\frac{u^* u_\infty}{L(T_\infty - T_s)} \cdot \frac{\partial T^*}{\partial x^*} + \frac{v^* u_\infty}{L(T_\infty - T_s)} \cdot \frac{\partial T^*}{\partial y^*} = \frac{k}{\rho c} \cdot \frac{1}{L^2} \cdot \frac{1}{(T_\infty - T_s)} \cdot \frac{\partial^2 T^*}{\partial y^{*2}}$$

Cancelling common terms and multiplying and dividing R.H.S. by μ , we get

$$u^* \frac{\partial T^*}{\partial x^*} + v^* \frac{\partial T^*}{\partial y^*} = \frac{k}{\mu c} \cdot \frac{\mu}{\rho u_\infty L} \cdot \frac{\partial^2 T^*}{\partial y^{*2}}$$

This reduces to

$$u^* \frac{\partial T^*}{\partial x^*} + v^* \frac{\partial T^*}{\partial y^*} = \frac{1}{\text{Re}_L \text{Pr}} \cdot \frac{\partial^2 T^*}{\partial y^{*2}} \quad \dots(7.29)$$

This shows that as all the quantities are dimensionless. The solutions will be similar if $\text{Re}_L \text{Pr}$ product is equal irrespective other geometric or property values. This is easily realised by looking at equation (7.20). Thus nondimensionalising helps in generalising experimental results obtained with one set of parameters.

7.10 ANALOGICAL METHODS

So far we have discussed certain relationships applicable to laminar flow. Because of the irregularity of flow it is not easy to use the exact method for the analysis of turbulent flow. In laminar flow momentum transfer between layers is due to molecular level diffusion. In turbulent flow large particles move from one layer to another speeding up the momentum transfer. Similar explanation can be given for heat transfer also. Molecular movement is random. If such randomness is assumed for particle movement also, then except for a difference in scale both laminar and turbulent flows can be said to be similar. The values of ν and α are enhanced in turbulent flow by additive quantities defined as eddy diffusivity of momentum and Eddy diffusivity of heat. To enhance the rate of transfer. This leads to the conclusion that similar correlations will result except that the constants c , m and n have to be determined separately.

$$\delta_x = c_1 \text{Re}_x^{n_1} \quad \dots(7.30)$$

$$\text{Nu} = c_2 \text{Re}^{m_2} \text{Pr}^{n_2} \quad \dots(7.31)$$

This is also established by using 1/7 power law for velocity variation and also using the universal velocity profile correlation equations for turbulent flow which will be discussed in the next chapters.

7.10.1. Reynolds-Colburn analogy: Using what is known as mixing length theory, it is shown that

$$\tau = \rho (v + \epsilon_m) \frac{d\bar{u}}{dy}$$

and

$$q = -c_p \rho (\alpha + \epsilon_H) \frac{d\bar{T}}{dy}$$

where ϵ_m is called eddy momentum diffusivity and ϵ_H is called eddy diffusivity of heat.

From equation (7.15)

$$\frac{C_{fx}}{2} = \frac{0.332}{Re_x^{1/2}} \quad \dots(a)$$

From equation (7.21),

$$Nu_x = 0.332 Re_x^{1/2} Pr^{1/3} \quad \dots(b)$$

This equations (a), (b) can be manipulated such that

$$\frac{Nu_x Pr^{2/3}}{Re_x Pr} = \frac{0.332}{Re_x^{1/2}} = \frac{C_{fx}}{2}$$

The group $\frac{Nu}{Re Pr}$ reduces to $\frac{hx}{\rho C u_\infty}$ which is dimensionless and is defined as Stanton number. Hence

$$\frac{hx}{\rho C u_\infty} \cdot Pr^{2/3} = st_x Pr^{2/3} = \frac{C_{fx}}{2} \quad \dots(7.32)$$

This equation connects the friction factor and convective heat transfer coefficient. So if one quantity is known, the other quantity can be determined. The equation (7.32) is known as Reynolds–Colburn analogy. This has been found by experiments to be applicable in turbulent flow conditions also. In general

$$St Pr^{2/3} = \frac{C_f}{2} \quad \dots(7.33)$$

7.11 CORRELATION OF EXPERIMENTAL RESULTS

The validation of the equations derived is essential before these could be confidently applied in design situations. An experimental set up like the one shown in Fig. 7.10 can be used to measure average values of convection coefficients.

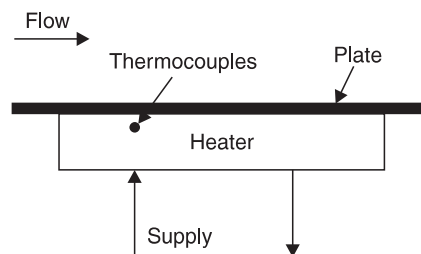


Fig. 7.10. Experimental set up for convection measurements.

The energy supplied and temperatures can be measured for various conditions of flow. The average value of convection coefficient can be readily calculated from measurements. The dimensionless parameters can be calculated and the experimental results can be plotted as in Fig. 7.11. Using the three identified parameters.

After obtaining these curves, the equations for these lines will yield the constant c , m and n of equation of the form 7.32. This can be checked by plotting all the results as in Fig. 7.12.

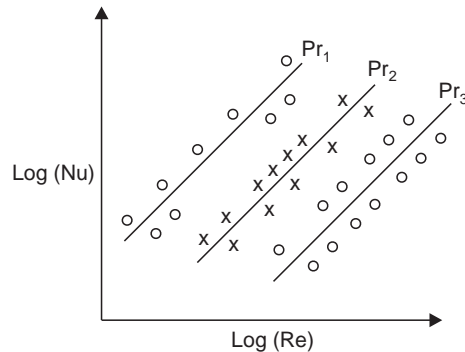


Fig. 7.11. Plot of experimental results using dimensionless parameters.

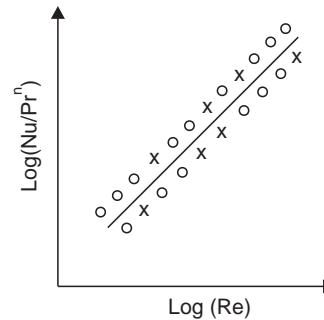


Fig. 7.12. Unified plot of experimental results.

The resulting single curve will establish the relationship required.

This procedure is described easily. But the actual work requires a lot of trial and also the experimental points for extreme values of parameters like Pr may not fall on lines similar to the ones in Fig. 7.11. A curve approximated by multiple straight lines may result in place of single line as in Fig. 7.12.

Most of the usable correlations are the ones established by this method. Hence in convection one has to depend to a very great extent on such experimental correlations. It is to be mentioned that such correlations generally give results, only within about $\pm 25\%$ of true value. For more accurate determination, one has to use hand books rather than text books to look up more suitable correlations.

There are many other boundary conditions in external flow. These are discussed in the next Chapter 8 and the available correlations are listed. Internal flow is discussed in Chapter 9.

SOLVED PROBLEMS

Problem 7.1: Consider the flow of the following fluids at a film temperature of 40°C and a free stream velocity of 3 m/s over a flat plate. (a) Determine the lengths at which the flow turns turbulent (b) Determine the thickness of boundary layer (hydrodynamic and thermal) at the location where $Re = 10^5$. Fluids : (i) air (ii) Carbon dioxide (iii) Hydrogen (iv) water (v) mercury and (vi) glycerine.

Solution. The property values required for these calculations are (i) kinematic viscosity and (ii) Prandtl number. These are looked up from property tables—in some cases interpolation is necessary. These are tabulated below:

Fluid	Kinematic viscosity m^2/s	Prandtl number
Air	16.960×10^{-6}	0.699
Carbon dioxide	9.294×10^{-6}	0.76
Hydrogen	118.600×10^{-6}	0.684
Water	0.657×10^{-6}	4.34
Mercury	0.109×10^{-6}	0.0252
Glycerine	223.000×10^{-6}	2450

The distance is calculated using the equation 7.8 (a) Turbulence starts of $Re = 5 \times 10^5$.

$$Re_x = \frac{u_\infty x}{\nu} \quad \therefore x = \frac{5 \times 10^5}{3.0} \cdot \nu$$

The hydrodynamic boundary layer thickness is found by first finding x as above at $Re = 10^5$ and then using $\delta_h = 5x/Re_x^{0.5}$ equation (7.11) and the thermal boundary layer thickness is determined using eqn. (7.17).

$\delta_{th} = \delta_h/Pr^{0.33}$. The results are tabulated below.

$T_f = 40^\circ\text{C}$, $u_\infty = 3 \text{ m/s}$, critical Reynolds no. = 5×10^5

<i>Fluid</i>	<i>Critical distance, m Re = 5 × 10⁵</i>	<i>Distances at Re = 10⁵ m</i>	<i>Hydrodynamic boundary layer thickness mm</i>	<i>Thermal boundary layer thickness mm</i>
Air	2.83	0.565	8.94	10.00
Carbon dioxide	1.55	0.310	4.90	5.37
Hydrogen	19.77	3.950	62.50	71.00
Water	0.11	0.0219	0.346	0.212
Mercury	0.018	0.00363	0.0057	0.0196
Glycerine	37.17	7.43	117.5	8.72

Note : (i) Higher the value of viscosity longer it takes for the flow to become turbulent as the viscous forces dampen out any disturbance (ii) If the Prandtl number is less than unity, thermal boundary layer is thicker than velocity boundary layer and vice versa.

Problem 7.2: For the flow situations considered in problem 7.1 determine the local and average friction coefficients up to the location where $Re = 10^5$. Also determine the local and average convection coefficients.

Solution: Equation (7.13) is to be used for the determination of friction coefficient

$$C_{fx} = 0.664/Re_x^{0.5}$$

As Reynolds number is specified the value will be the same for all cases.

$$\text{Local friction coefficient} = 0.664/\sqrt{(10^5)} = 2.1 \times 10^{-3}$$

$$\text{Average friction coefficient} = 2 \times C_{fx} = 4.2 \times 10^{-3}$$

But this friction coefficient is for different lengths from 0.00363 m for mercury to 7.43 m for glycerine. Equation (7.20) is to be used to determine the value of convection coefficient.

$$Nu_x = 0.332 \cdot Re_x^{0.5} Pr^{0.33}$$

$$\therefore h_x = \frac{Nu_x \cdot k}{x}$$

The thermal conductivity of the materials are read from tables (some cases interpolation is necessary).

These are tabulated below :

<i>Fluid</i>	<i>Thermal conductivity at 40°C, W/mK</i>
Air	26.56×10^{-3}
Carbon dioxide	26.004×10^{-3}
Hydrogen	191.256×10^{-3}
Water	0.628
Mercury	8.1725
Glycerine	0.2861

Using the above equation and the value of x from previous problem, local and average convection coefficient are calculated and tabulated.

$$u_{\infty} = 3 \text{ m/s}, T = 40^{\circ}\text{C}$$

<i>Fluid</i>	<i>x at $Re = 10^5$</i>	<i>Nu_x</i>	<i>h_x W/m²K</i>	<i>\bar{h}_1, W/m²K</i>
Air	0.565	93.17	4.38	8.76
Carbondioxide	0.310	95.80	8.04	16.08
Hydrogen	3.950	92.5	4.48	8.96
Water	0.0219	171.26	4911	9822
Mercury	0.00363	30.78	69298	138596
Glycerine	7.43	1415.3	54.5	109

Note. The value of convection coefficient is high for Mercury and water. Also note from problem 7.1 the very thin boundary layers in these cases.

Problem 7.3: Consider the flow of the following fluids over a plate $1 \text{ m} \times 1 \text{ m}$. Determine the free stream velocity so that flow turns turbulent just at leaving the plate. The plate is at 60°C and the fluid is at 20°C and gases at 1 atm pressure : (i) air (ii) Helium (iii) Hydrogen (iv) Water (v) Engine oil (vi) Freon 12 (liquid). Also determine the heat loss in this process over the plate area.

Solution: Turbulence may be assumed to set in at $Re = 5 \times 10^5$. From the definition of Reynolds number

$$Re = \frac{u_{\infty} x}{\nu}, u_{\infty} = \frac{Re \cdot \nu}{x} = \frac{5 \times 10^5}{1} \times \nu$$

The temperature at which properties are to be read are $(60 + 20)/2 = 40^{\circ}\text{C}$. (film temperature). These are read from property tables. Thermal conductivity and Prandtl number values are necessary to determine convection coefficient. These values are tabulated below (with some interpolation).

<i>Fluid</i>	<i>Kinematic viscosity m²/s</i>	<i>Thermal conductivity W/mK</i>	<i>Prandtl number</i>
Air	16.96×10^{-6}	26.56×10^{-3}	0.699
Helium	133.4×10^{-6}	157.464×10^{-3}	0.6772
Hydrogen	118.6×10^{-6}	191.256×10^{-3}	0.684
Water	0.657×10^{-6}	628×10^{-3}	4.34
Engine oil	241×10^{-6}	144.2×10^{-3}	2870
Freon 12	200×10^{-6}	69.2×10^{-3}	3.5

The calculated values as described above is tabulated. $\bar{h} = 0.664 \times \frac{k}{x}$.

$Re^{0.5} Pr^{0.33}$ is used to calculate \bar{h} .

$$Q = h A \Delta T = h \times 1 \times 40$$

$$L = 1 \text{ m}, Re = 5 \times 10^5, T = 40^\circ\text{C}, A = 1 \times 1 \text{ m}^2$$

Fluid	u_∞ m/s	\bar{h} , W/m ² K	Q, W
Air	8.48	11.07	443
Helium	66.70	64.92	2597
Hydrogen	59.3	79.12	3164.8
Water	0.3285	480.96	19238.4
Engine oil	120.5	962.2	38486
Freon 12	100.0	49.33	1973.2

- Note:**
- Higher the value of kinematic viscosity higher the initial velocity for a given Reynolds number at a given location.
 - \bar{h} depends both on Prandtl number and conductivity.
 - Engine oil appears to dissipate more heat. But look at the velocity required.
 - For high/low values of Pr this equation is not suitable.
 - Velocities of 100 m/s or 120.5 m/s are not practicable. The values are only for comparison.

Problem 7.4: Air flows over a plate at a free stream velocity of 5 m/s. The plate temperature is 100°C and the air temperature is 20°C. If the average value of convective heat transfer coefficient is 15 W/m²K, determine the length of the plate in the direction of flow. Using equation (7.20) and (7.21), we get

$$\begin{aligned} \bar{h} &= 0.664 \times \frac{k}{L} Re_L^{0.5} Pr^{0.333} \\ &= 0.664 \times \frac{k}{L} \sqrt{u_\infty L/\nu} Pr^{0.333} \end{aligned}$$

or

$$L = 0.664^2 \frac{k^2}{h^2} \cdot \frac{u_\infty}{\nu} \cdot Pr^{0.667}$$

k, ν and Pr are to be found at film temperature of $(100 + 20)/2 = 60^\circ\text{C}$. The values are read from data book : $k = 28.96 \times 10^{-3}$, $\nu = 18.97 \times 10^{-6} \text{ m}^2/\text{s}$, $Pr = 0.696$

Solution: Substituting $L = 0.664^2 \frac{0.02896^2}{15^2} \cdot \frac{5}{18.97 \times 10^{-6}} \times 0.696^{0.667} = \mathbf{0.34 \text{ m}}$

Check the validity $Re_L = \frac{0.34 \times 5}{18.97 \times 10^{-6}} = 89615$

This is less than 5×10^5 . So the flow is laminar and the equation used is valid.

$$\bar{Nu} = 0.664 \cdot Re_L^{0.2} \times Pr^{0.033} = 0.664 \times 89615^{0.2} \times 0.696^{0.033} = 176.155$$

$$\therefore \bar{h} = \frac{176.155 \times 28.96 \times 10^{-3}}{0.34} = 15 \text{ W/m}^2\text{K}.$$

Problem 7.5: Air at 1 atm pressure flows over a plate 0.5 long with a free stream velocity of 5 m/s. The film temperature is 60°C. If the friction coefficient on the plate is found as 3.68×10^{-3} for one side, determine the average convective heat transfer coefficient.

The problem can be solved by using equation (7.14) and then solving for Re_L and using the same in equation (7.20) and (7.21) or (7.22) directly to determine the Stanton number and then the Nusselt number.

Solution: $\bar{C}_f = 1.334/(Re_L)^{0.5}$... (7.14)

$$\therefore Re_L = (1.334/\bar{C}_f)^2 = (1.334/3.68 \times 10^{-3})^2 = 131406.25, \text{ so laminar}$$

$$Nu = 0.664 Re_L^{0.5} Pr^{0.333} = 0.664 \times 131406.25^{0.5} \times 0.696^{0.333} = 213.31$$

$$\mathbf{h} = \frac{213.31 \times 28.96 \times 10^{-3}}{0.5} = \mathbf{12.36 \text{ W/m}^2\text{K}}$$

(property values are taken from problem 7.4)

$$St. Pr^{0.667} = C_f/2 = 3.68 \times 10^{-3}/2$$

$$\therefore St = 2.343 \times 10^{-3}/2$$

$$St = h/c \rho u_\infty$$

$$\therefore \mathbf{h} = 2.343 \times 10^{-3} \times 1005 \times 1.060 \times 5 = \mathbf{12.48 \text{ W/m}^2\text{K}}$$

The difference is due to truncation in calculation.

Problem 7.6: Nitrogen at a pressure of 0.1 atm flows over a flat plate with a free stream velocity of 8 m/s. The temperature of the gas is -20°C . The plate temperature is 20°C . Determine the length for the flow to turn turbulent. Assume 5×10^5 as critical Reynolds number. Also determine the thickness of thermal and velocity boundary layers and the average convection coefficient for a plate length of 0.3 m.

Properties are to be found at film temperature.

Solution: Film temperature = $(-20 + 20)/2 = 0^\circ\text{C}$

As density and kinematic viscosities will vary with pressure, dynamic viscosity is read from tables.

$$\mu = 16.67 \times 10^{-6} \text{ Ns/m}^2, k = 24.31 \times 10^{-3} \text{ W/mK}$$

$$Pr = 0.705, \rho = 1.250 \times 0.1 = 0.125 \text{ kg/m}^3$$

$$Re = \frac{u_\infty \rho x}{\mu} = 5 \times 10^5$$

$$\therefore x = \frac{5 \times 10^5 \times 16.67 \times 10^{-6}}{8 \times 0.125} = 8.335 \text{ m}$$

Check for dimensions :

$$u_\infty = \frac{m}{s}, \rho = \frac{kg}{m^3}, x = m, \mu = \text{Ns/m}^2$$

$$\therefore \frac{\text{m kgm m}^2}{\text{s m}^3 \text{Ns}} = \frac{\text{kg} \cdot \text{m}}{\text{s}^2 \text{N}} = \text{dimensionless}$$

As the density is low, the kinematic viscosity is higher and hence turbulence is suppressed for a longer distance.

At $x = 0.3$ m, the Reynolds number is less than 5×10^5 and so the flow is laminar.

$$\begin{aligned} \delta_h &= 5x/Re^{0.5} = 5 \times 0.3 / (8 \times 0.125 \times 0.3 / 16.67 \times 10^{-6})^{0.5} \\ &= 5 \times 0.3 / \sqrt{17996.4} = 0.01118 \text{ m or } \mathbf{11.18 \text{ mm}} \end{aligned}$$

Thermal boundary

$$\text{layer thickness} = \delta_h / Pr^{0.33} = 11.18 / 0.705^{0.33} = \mathbf{12.56 \text{ mm}}$$

Average convection coefficient:

$$\begin{aligned} \bar{h} &= \frac{0.644 \times 24.31 \times 10^{-3}}{0.3} (8 \times 0.125 \times 0.3 / 16.67 \times 10^{-6})^{0.5} (0.705)^{0.33} \\ &= \mathbf{6.23 \text{ W/m}^2\text{K}}, \end{aligned}$$

If the **pressure was atmospheric**, then boundary layers thickness is

$$\delta_h = 5 \times 0.3 / (8 \times 1.25 \times 0.3 / 16.67 \times 10^{-6})^{0.5} = \mathbf{3.54 \text{ mm}}$$

$$\delta_t = 3.54 / (0.705)^{0.3} = \mathbf{3.98 \text{ mm}}$$

$$\begin{aligned} \bar{h} &= \frac{0.664 \times 24.31 \times 10^{-3}}{0.3} [(8 \times 1.25 \times 0.3 / 16.67 \times 10^{-6})^{0.5} (0.705)^{0.33}] \\ &= \mathbf{20.32 \text{ W/m}^2\text{K}}. \end{aligned}$$

Problem 7.7: An aircraft flies at an altitude where the temperature is -60°C and the pressure is 0.08 atm. The air speed is 900 km/hr. The wing tank contains fuel at 20°C , keeping the surface at this temperature. Assuming the effect of curvature to be small, determine the Reynolds number at the wing tip if the wing is 3 m wide. Also determine the location from the leading edge where $Re = 5 \times 10^5$. If $C_{fx} = 0.059 \times Re_x^{-0.2}$, determine the value of local heat transfer coefficient.

Solution: $Re = \frac{\rho u_\infty x}{\mu}$, The values of ρ and μ are to be found at $(-60 + 20)/2 = -20^\circ\text{C}$ and 0.08 atm,

$$\begin{aligned} \rho &= 1.395 \times 0.08 \text{ kg/m}^3, \mu = 16.18 \times 10^{-6} \text{ Ns/m}^2, x = 3 \text{ m} \\ k &= 22.79 \times 10^{-3} \text{ W/mK}, Pr = 0.716, u = 900 \times 1000/60 \times 60 = 250 \text{ m/s} \\ Re &= 1.395 \times 0.08 \times 250 \times 3 / 16.18 \times 10^{-6} = \mathbf{5.173 \times 10^6} \end{aligned}$$

Flow is turbulent

The location at which $Re = 5 \times 10^5$ is found using

$$x = \frac{5 \times 10^5 \times 16.18 \times 10^{-6}}{1.395 \times 0.08 \times 250} = \mathbf{0.29 \text{ m}}$$

$$C_{fx} = 0.059 \times Re_x^{-0.2} = 0.059 / (5.173 \times 10^6)^{0.2} = 2.68 \times 10^{-3}$$

Using equation (7.35)

$$St \times Pr^{2/3} = C_{fx} / 2$$

$$\frac{Nu_x}{Re_x Pr} \cdot Pr^{2/3} = 2.68 \times 10^{-3}/2$$

$$\therefore Nu_x = \frac{2.68 \times 10^{-3}}{2} \times Re_x Pr^{0.33}$$

$$\begin{aligned} \therefore h_x &= \frac{22.79 \times 10^{-3}}{3} \cdot \frac{2.68 \times 10^{-3}}{2} \times (5.173 \times 10^6) \times (0.716)^{0.333} \\ &= 47.11 \text{ W/m}^2\text{K} \end{aligned}$$

There are other correlations available which are discussed in the next chapter.

Problem 7.8: A low speed wind tunnel is to be designed for tests upto $Re = 5 \times 10^5$ with air at 0.8 atm and 20°C . The model length is restricted to 0.3 m. If the test section is 0.45 m square, determine the mass flow required. Check whether the boundary layer on the wall will affect the test. The tunnel length is 1.5 m.

Solution: The properties are to be obtained at 20°C

$$\rho = 1.205, \mu = 18.14 \times 10^{-6} \text{ Ns/m}^2$$

$$Re_x = \frac{\rho u_\infty x}{\mu}, 5 \times 10^5 = \frac{1.205 \times 0.8 \times u_\infty \times 0.3}{18.14 \times 10^{-6}}$$

$$\therefore u_\infty = 31.36 \text{ m/s}$$

$$\therefore \text{flow rate} = (31.36 \times 0.45 \times 0.45) \times (1.205 \times 0.8) = 6.12 \text{ kg/s}$$

The boundary layer thickness at $x = 1.5$ m is to be found.

The flow will be turbulent (see next chapter for correlations)

$$\text{The Reynolds number} = 2.5 \times 10^6$$

\therefore The boundary layer thickness is given by

$$\delta = 0.381 \times Re_x^{-0.2} = 0.02 \text{ m}$$

In a width of 0.45 m, 0.04 m should not cause any problem.

Problem 7.9: Investigate the effect of various parameters on the average value of convection coefficient in laminar flow over a flat plate.

$$\bar{Nu}_L = 2Nu_x = 0.664 \cdot Re_L^{0.5} Pr^{0.33}$$

Solution: Substituting for the dimensionless number,

$$\frac{\bar{h}L}{k} = 0.664 \left[\frac{u_\infty \rho L}{\mu} \right]^{0.5} \left[\frac{c \mu}{k} \right]^{0.33}$$

using 1/2 and 1/3 in place of 0.5 and 0.33

$$\begin{aligned} \bar{h} &= 0.664 \frac{k}{L} \cdot \frac{u_\infty^{1/2} \rho^{1/2} L^{1/2}}{\mu^{1/2}} \frac{c^{1/3} \mu^{1/3}}{k^{1/3}} \\ &= 0.664 k^{2/3} u_\infty^{1/2} \rho^{1/2} c^{1/3} L^{1/2} \mu^{1/6} \end{aligned}$$

$$\frac{h_2}{h_1} = \left(\frac{k_2}{k_1} \right)^{2/3} \left(\frac{\rho_2}{\rho_1} \right)^{1/2} \left(\frac{u_{\infty 2}}{u_{\infty 1}} \right)^{1/2} \left(\frac{c_2}{c_1} \right)^{1/3} \left(\frac{L_1}{L_2} \right)^{1/2} \left(\frac{\mu_1}{\mu_2} \right)^{1/6}$$

The relationships can be summarised as below : In the laminar flow over a flat plate :

1. Convection coefficient varies directly as (2/3) power of thermal conductivity. Higher the value of thermal conductivity higher the value of convection coefficient, but at a reduced ratio of increase.
2. Convection coefficient varies directly as the square root of free stream velocity. If the free stream velocity is increased four times, the convection coefficient will double.
3. The effect of density variation is similar to that of free stream velocity. Increased density will increase the convection coefficient. But to double the coefficient density has to increase four times.
4. The convection coefficient is directly proportional to 1/3 power of specific heat. *i.e.* to double the value of convection coefficient, specific heat should increase 8 times.
5. The convection coefficient reduces with length, as the square root of the ratio. At four times the length the average coefficient will be reduced to half the value.
6. Dynamic viscosity has also an inverse relation to 1/6th power. Increased viscosity will reduce the convection coefficient.

Though the relations are obvious, it is better to organise these influencing parameters.

Problem 7.10: Investigate the effect of various physical parameters on the average value of convection coefficient in fully turbulent flow from leading edge in flow over a flat plate. Using the following equation.

$$\bar{Nu}_L = 0.037 Re_L^{4/5} Pr^{1/3}$$

Expanding, *i.e.* substituting the values of physical parameters for the dimensionless numbers.

Solution:

$$\frac{\bar{h}_L L}{k} = 0.037 \frac{u_\infty^{4/5} \rho^{4/5} L^{4/5} c^{1/3} \mu^{1/3}}{\mu^{4/5}}$$

$$\bar{h}_L = 0.037 k^{2/3} L^{-1/5} \rho^{4/5} c^{1/3} u_\infty^{4/5} \mu^{-7/15}$$

$$\frac{h_2}{h_1} = \left(\frac{k_2}{k_1}\right)^{2/3} \left(\frac{\rho_2}{\rho_1}\right)^{4/5} \left(\frac{c_2}{c_1}\right)^{1/3} \left(\frac{u_{\infty 2}}{u_{\infty 1}}\right)^{4/5} \left(\frac{L_1}{L_2}\right)^{1/5} \left(\frac{\mu_1}{\mu_2}\right)^{7/15}$$

The influences are similar to that in laminar flow except for the degree.

The effect of conductivity and specific heat are the same as in laminar flow.

1. Convection coefficient proportional to the 2/3 power of thermal conductivity *i.e.* h increases as $k^{2/3}$.
2. Convection coefficient is proportional to 1/3 power of specific heat *i.e.* h increases as $c^{1/3}$.
3. Convection coefficient increases as the 4/5th power of density (as compared 1/2 power) *i.e.* density increase has more pronounced effect in turbulent flow.
4. Convection coefficient increases as the 4/5th power of free stream velocity. (as compared 1/2 power) *i.e.* velocity increase has a more pronounced effect on convection coefficient in turbulent flow.

5. As the distance increases, convection coefficient decreases (inverse effect), but to a very much reduced effect *i.e.* 1/5th power only. With distance, the convection coefficient does not decrease rapidly.
6. Dynamic viscosity has a more pronounced effect in reducing convection coefficient (7/15 power instead of 1/6).

Note. Density and free stream velocity have a pronounced influence in increasing the value of h and the dynamic viscosity reduces the value of h more drastically.

With distance, the value of h does not drop rapidly in turbulent flow.

Problem 7.11: Air at 1 atm with a temperature of 500°C flows over a plate 0.2 m long and 0.1 m wide. The Reynolds number is 40,000. (flow is along the 0.2 m side). Determine the rate of heat transfer from the plate at 100°C to air 50°C. If the velocity of flow is doubled and the pressure is increased to 5 atm, determine the percentage change.

The properties of air are read from tables and interpolated for film temperature of 75°C.

Solution: Density: 1.0145, kg/m³ Sp. heat: 1.009 kJ/kg K

Prandtl No: 0.693 $k = 30.065 \times 10^{-3}$ W/mK

$\mu = 20.835 \times 10^{-5}$ kg/ms or Ns/m²

In the first case, the flow is laminar

$$\begin{aligned} \therefore \bar{h} &= 0.664 \frac{k}{L} (Re_L)^{0.5} Pr^{0.33} \\ &= \frac{0.664 \times 30.065 \times 10^{-3}}{0.20} (40000)^{0.5} (0.693)^{0.33} = \mathbf{17.67 \text{ W/m}^2\text{K}} \end{aligned}$$

$$\mathbf{Q_1 = 0.2 \times 0.1 \times 17.67 \times (100 - 50) = 17.66 \text{ W.}}$$

If necessary we can determine the velocity also

$$40000 = \frac{u_\infty \times 1.0145 \times 0.2}{20.835 \times 10^{-6}} \quad \therefore u_\infty = 4.1 \text{ m/s}$$

From problem 7.9.

$$\frac{h_2}{h_1} = \left(\frac{k_2}{k_1}\right)^{2/3} \left(\frac{\rho_2}{\rho_1}\right)^{1/2} \left(\frac{u_{\infty 2}}{u_{\infty 1}}\right)^{1/2} \left(\frac{c_2}{c_1}\right)^{1/2} \left(\frac{L_1}{L_2}\right)^{1/2} \left(\frac{\mu_1}{\mu_2}\right)^{1/6}$$

as c , L , μ and k remain the same and

$$u_{\infty 2} = 2 u_{\infty 1} \text{ and } \frac{\rho_2}{\rho_1} = 5 \text{ (as temp. is constant)}$$

$$\mathbf{h_2 = 17.66 \times 5^{0.5} 2^{0.5} = 55.85 \text{ W/m}^2\text{ K}}$$

$$\mathbf{Q_2 = 0.2 \times 0.1 \times 55.85 \times (100 - 50) = 55.85 \text{ W}}$$

$$\text{Percentage change} = 100 (55.85/17.67) = 316.2\%$$

Check for laminar flow

$$Re = \frac{0.2 \times 1.0145 \times 5 \times 4.1 \times 2}{20.835 \times 10^{-6}} = 4 \times 10^5.$$

Problem 7.12: A rectangular plate measuring $L \times 2L$ has air flowing over the surface at a film temperature of T_f and free stream velocity of u_∞ . The heat transfer from the plate to air is the same irrespective of the flow being parallel to L or parallel to $2L$. Assuming critical Reynolds number to be 5×10^5 , and assuming that the flow is laminar when the flow direction is along L direction, determine the outlet Reynolds number for flow in the L direction.

Solution: As the heat flow and temperature difference and area are the same the value of average convective heat transfer coefficient has to be the same in both cases.

If both flow are laminar, this is not possible as the average convection coefficient in the laminar region goes on decreasing with distance. So the correlation for average convection coefficient for both laminar and turbulent flows have to be used. Let us assume that the Reynolds number in the L direction is Re . Then the Reynolds number in the $2L$ direction will be $2 Re$. The correlations are:

L direction:

$$\text{Laminar} \quad Nu_L = \frac{hL}{k} = 0.664 Re^{0.5} Pr^{0.33}$$

$2L$ direction combined laminar

$$\text{and turbulent} \quad Nu_{2L} = \frac{h 2L}{k} = [0.037 (2 Re)^{0.8} - 871] Pr^{0.33} \text{ (data book)}$$

Equating

$$2 \times 0.664 Re^{0.5} Pr^{0.33} = [0.037 (2 Re)^{0.8} - 871] Pr^{0.33}$$

$$1.328 Re^{0.5} = 0.037 (2 Re)^{0.8} - 871$$

Solving by Trial: by assuming values for Re ,

$$(2 \times 10^5 \text{ the residue is } - 343$$

$$4 \times 10^5 \text{ the residue is } + 241).$$

By trial between these values, $Re = 3.161 \times 10^5$

$$\text{Check:} \quad Nu_L = 0.664 \times (3.161 \times 10^5)^{0.5} Pr^{0.33} = 373.33 Pr^{0.33}$$

$$Nu_{2L} = [0.037 (2 \times 3.161 \times 10^5)^{0.8} - 871] Pr^{0.33} = 746.65 Pr^{0.33}$$

As $Nu_{2L} = 2Nu_L$, the value checks.

Problem 7.13: Water at 20°C flows over a plate 0.4 m long at 60°C with a free stream velocity of 0.6 m/s . Check the change in the value of h if instead of the film temperature, the free stream temperature property values are used.

Solution: Film temperature = $(60 + 20)/2 = 40^\circ\text{C}$.

$$\text{at } 20^\circ\text{C:} \quad \text{density } \rho = 1000 \text{ kg/m}^3 \quad Pr = 7.020, \quad \mu = 1.006 \times 10^{-3} \text{ kg/ms}$$

$$c = 4178 \text{ J/kg K}, \quad k = 0.5978 \text{ W/mK}$$

$$\text{at } 40^\circ\text{C:} \quad \rho = 995 \text{ kg/m}^3 \quad Pr = 4.340, \quad k = 0.628 \text{ W/mK}$$

$$c = 4178 \text{ J/kg K}, \quad \mu = 0.654 \times 10^{-3} \text{ kg/ms}$$

Using the expression derived in problem 7.9 in the laminar region

$$\frac{h_2}{h_1} = \left(\frac{k_2}{k_1}\right)^{2/3} \left(\frac{\rho_2}{\rho_1}\right)^{1/2} \left(\frac{u_{\infty 2}}{u_{\infty 1}}\right)^{1/2} \left(\frac{c_2}{c_1}\right)^{1/2} \left(\frac{L_1}{L_2}\right)^{1/2} \left(\frac{\mu_1}{\mu_2}\right)^{1/6}$$

or we can also use the direct calculation of h .

Substituting the values (as u_∞ c and L remains constant)

$$\frac{h_2}{h_1} = \left[\frac{0.628}{0.5978} \right]^{2/3} \left[\frac{995}{1000} \right]^{1/2} \left[\frac{1.006 \times 10^{-3}}{0.654 \times 10^{-3}} \right]^{1/6} = 1.1075$$

or under estimation by about 10% (using property values at 20 °C)

First check for laminar flow:

$$Re = \frac{\rho u_\infty x}{\mu} = 1000 \times 0.6 \times 0.4 / (1.006 \times 10^{-3}) = 2.39 \times 10^5$$

So laminar:

$$\bar{h}_1 = \frac{2 \times 0.664 \times 0.5978}{0.4} (2.39 \times 10^5)^{0.5} (7.02)^{0.333} = 1856.15 \text{ W/m}^2\text{K}$$

$$\bar{h}_2 = \frac{2 \times 0.664 \times 0.628}{0.4} \left(\frac{995 \times 0.6 \times 0.4}{0.654 \times 10^{-3}} \right)^{0.5} \cdot (4.34)^{0.333} = 2055.05 \text{ W/m}^2\text{K}$$

$$\% \text{ under estimate} = 100 \left(\frac{2055.05 - 1856.15}{2055.05} \right) = 9.68\%$$

Problem 7.14: A thin conducting plate separates two parallel air streams. The hot stream is at 200°C and 1 atm pressure. The free stream velocity is 15 m/s. The cold stream is at 20°C and 2 atm pressure and the free stream velocity is 5 m/s. Determine the heat flux at the mid point of the plate of 1 m length.

Solution: The plate temperature has to be assumed to determine the film temperature. As the temperature drop on each side will be inversely proportional to the value of convection coefficient, the ratio of convection coefficients can be a guidance in assuming the plate temperature.

Using problem 7.9, as the pressure is 2 atm, $p_2/p_1 = 2$

$$\frac{h_2}{h_1} = \left(\frac{u_{\infty 2} \rho_2}{u_{\infty 1} \rho_1} \right)^{1/2} = \left(\frac{5}{15} \frac{2}{1} \right)^{1/2} = 0.8 \text{ (approx)}$$

Hence an increase of 100°C on the cold side and 80°C on the hot side are assumed, fixing the plate temperature as 120°C. The film temperatures are :

(200 + 120)/2 = 160°C, (120 + 20)/2 = 70°C. The property values are read and are given below. On the cold side, the pressure is 2 atm. So dynamic viscosity μ value should be used with density value at 2 atm.

at 160°C: $\nu = 30.09 \times 10^{-6} \text{ m}^2/\text{s}$, $Pr = 0.682$, $k = 36.4 \times 10^{-3} \text{ W/mK}$,

at 70°C: $\rho = 1.029 \times 2$, $Pr = 0.694$, $k = 29.66 \times 10^{-3} \text{ W/mK}$,

$\mu = 20.59 \times 10^{-6} \text{ kg/ms}$

Check for laminar flow at 0.5 m : $Re_h = \frac{15 \times 0.5}{30.09 \times 10^{-6}} = 2.49 \times 10^5$, laminar

$$Re_c = \frac{5 \times 0.5 \times 2 \times 1.029}{20.59 \times 10^{-6}} = 2.5 \times 10^5, \text{ laminar}$$

$$h_{\text{hot}} = \frac{0.664 \times 36.4 \times 10^{-3}}{0.5} (2.49 \times 10^5)^{0.5} (0.682)^{0.333} = 21.24 \text{ W/m}^2\text{K}$$

$$h_{\text{cold}} = \frac{0.664 \times 29.66 \times 10^{-3}}{0.5} (2.5 \times 10^5)^{0.5} (0.694)^{0.333} = 17.43 \text{ W/m}^2\text{K}$$

Equating the heat flow

$$21.24 (200 - T_1) = 17.43 (T_1 - 20)$$

Plate temperature $\therefore T_1 = 118.9^\circ\text{C}$

This is close to the value assumed and hence, no need for repeating the calculation with this assumed value.

$$\text{Heat flux} = 21.24 (200 - 118.9) = 1723 \text{ W}$$

$$\text{Check } 17.43 (118.9 - 20) = 1723.8 \text{ W.}$$

Problem 7.15: Air at 200°C flows over a plane at 120°C . The air pressure is 1.8 atm. The free stream velocity is 15 m/s. The plate measures 0.2 m \times 0.4 m. The air flow was designed to be in the direction of 0.4 m side. Due to some misunderstanding the equipment was fabricated with the flow in the 0.2 m direction. Determine the change in performance.

Solution: Originally as per design $L = 0.4$ m. Now in the fabrication $L = 0.2$ m.

The film temperature is $(200 + 120)/2 = 160^\circ\text{C}$

As pressure is different from 1 atm, density and dynamic viscosity should be used in the determination of Reynolds number.

The property values are read from tables.

$$\text{density } \rho = 0.815 \times 1.8 \text{ kg/m}^3, \text{ Pr} = 0.682$$

$$k = 36.4 \times 10^{-3}, \mu = 24.53 \times 10^{-6} \text{ kg/ms}$$

$$L = 0.4$$

$$\begin{aligned} \bar{h}_{0.4} &= \left[\frac{2 \times 0.644 \times 36.4 \times 10^{-3}}{0.4} \right] \left[\frac{15 \times 0.4 \times 0.815 \times 1.8}{24.52 \times 10^{-6}} \right]^{0.5} 0.682^{0.33} \\ &= 61.81 \text{ W/m}^2\text{K} \quad Re = 3.59 \times 10^5 \quad \therefore \text{laminar} \end{aligned}$$

$$\bar{h}_{0.2} = \left[\frac{2 \times 0.644 \times 36.4 \times 10^{-3}}{0.2} \right] \left[\frac{15 \times 0.2 \times 0.815 \times 1.8}{24.52 \times 10^{-6}} \right]^{0.5} 0.682^{0.33} = 87.41 \text{ W/m}^2\text{K}$$

The heat transfer rate will therefore increase.

$$\text{The \% increase is } \frac{100 (87.41 - 61.81)}{61.81} = 41.43\%$$

Now the flow rate has to be doubled because the flow width is doubled if the velocity is to be maintained. If the flow rate remains the same, the $u_\infty = 15/2$. In that case,

$$\bar{h}_{0.2} = \frac{2 \times 0.644 \times 36.4 \times 10^{-3}}{0.2} \left[\frac{15 \times 0.2 \times 0.815 \times 1.8}{24.52 \times 10^{-6}} \right]^{0.5} 0.682^{0.33} = 61.81 \text{ W/m}^2\text{K}$$

There is no change in the value of heat transfer.

This can be **checked** using equation in problem 7.9.

$$\frac{h_2}{h_1} = \left(\frac{u_{\infty 1}}{u_{\infty 2}} \right)^{1/2} \left(\frac{L_1}{L_2} \right)^{1/2} = \left(\frac{2}{1} \right)^{1/2} \left(\frac{1}{2} \right)^{1/2} = 1.$$

Problem 7.16: Using the method of dimensional analysis, obtain the relevant dimensionless groups in forced convection, to obtain convection coefficient.

The physical quantities pertinent to forced convection are listed below, together with dimensions.

<i>Physical quantity</i>	<i>Primary dimension</i>
(1) Flow length, L , m	L
(2) Free stream velocity u_{∞} , m/s	L/t
(3) Fluid density ρ , kg/m^3	m/L^3
(4) Fluid viscosity μ , kg/ms	m/Lt
(5) Thermal conductivity k , W/mK $\left(N = kg \frac{m}{s^2} \right)$	mL/t^3T ($W = Nm/s$ mL^2/t^3)
(6) Specific heat c , $J/kg K$	$L^2/t^2 T$ ($J = Nm \rightarrow mL^2/t^2$)
(7) Convection coefficient h , W/m^2K	m/t^3T
(1) t -time (2) m -mass, (3) T -Temperature	(4) L -Length.

Solution: There are seven physical quantities and four dimensions. Hence three π quantities can be identified.

This can be done by two methods, the simpler of which is used here. All the physical parameters together has to also form a dimensionless quantity. Calling this as π , we can write

$$\begin{aligned} \pi &= L^a u_{\infty}^b \rho^c \mu^d k^e c^f h^g \quad \dots(a) \\ &= L^a \left[\frac{L}{t} \right]^b \left[\frac{m}{L^3} \right]^c \left[\frac{m}{Lt} \right]^d \left[\frac{mL}{t^3T} \right]^e \left[\frac{L^2}{t^2T} \right]^f \left[\frac{m}{t^3T} \right]^g \end{aligned}$$

Collecting the indices of each primary dimension.

$$\begin{aligned} L &\rightarrow a + b - 3c - d + e + 2f = 0 \\ m &\rightarrow c + d + e + g = 0 \\ t &\rightarrow -b - d - 3e - 2f - 3g = 0 \\ T &\rightarrow -e - g - f = 0 \end{aligned}$$

There are seven unknowns and only four equations. So three values should be arbitrarily chosen. This should be done in such a way that by this assumption, two, of the equations are not reduced to the same. Only then the four unknowns can be solved for.

Some general rules are :

1. The values arbitrarily fixed should be such that the primary quantity occurs only once. In this case h is the primary quantity. So the value of g should have a non-zero value only once.
2. The remaining parameters (after the choice of arbitrary values) should result in four equation *i.e.* they should involve all the primary dimensions used. At least one of the chosen value should be non-zero.

3. The choice should not lead to the same equation or multiples of it, *i.e.* the coefficient matrix should be non singular.

h is the quantity to be solved for. For the first dimensionless number let the index for h be assumed as 1 *i.e.* $g = 1$. Let us assume $b = 0$ and $c = 0$. The equations reduce to

$$\begin{aligned} a - d + e + 2f &= 0 \\ d + e + 1 &= 0 && \text{eqns. not repeated,} \\ -d - 3e - 2f - 3 &= 0 \\ -e - f - 1 &= 0 \end{aligned}$$

solving $a = 1, e = -1, f = d = 0$

$$\therefore \pi_1 = L k^{-1} h = \frac{hL}{k} \quad \text{(Nusselt number)}$$

Not to repeat h , the next choice is made with $g = 0$, and $a = 1$ and $f = 0$ to obtain

$$\begin{aligned} 1 + b - 3c - d + e &= 0 \\ c + d + e &= 0 \\ -b - d - 3c &= 0 && \text{no equation repeated} \\ -e &= 0 \end{aligned}$$

This gives $e = 0, b = 1, c = 1$ and $d = -1, (a = 1, f = 0, g = 0)$

$$\therefore \pi_2 = L \cdot u_\infty \rho \mu^{-1} = \rho u_\infty L / \mu \quad \text{(Reynolds numbers)}$$

Finally we let $d = 1, b = 0, g = 0$

The equations reduce to

$$\begin{aligned} a - 3c - 1 + e + 2f &= 0 \\ c + 1 + e &= 0 && \text{no equation repeated} \\ -1 - 3e - 2f &= 0 \\ -e - f &= 0 \end{aligned}$$

This gives $f = 1, e = -1$, and $d = 1$ and other terms $a = 0$ and $c = 0, b = 0, g = 0$

$$\text{This gives} \quad \pi_3 = \frac{c \mu}{k} \quad \text{(Prandtl number)}$$

In the case of flow through pipe another physical parameter namely diameter is involved. This will give another dimensionless number D/L , which will be later seen in the correlations. In eqn. (a) add the parameter D to obtain the solution.

Obviously skill is required in the choice of the first three terms and their values.

Problem 7.17: Using dimensional analysis obtain a correlation for free convection.

The physical parameters involved are:

- | | |
|---|------------|
| (1) A length parameter L , | L |
| (2) density ρ , kg/m^3 | m/L^3 |
| (3) Specific heat c , $J/kg K$ | L^2/t^2T |
| (4) Thermal conductivity k , W/mK $\left(N = kg \frac{m}{s^2} \right)$ | mL/t^3T |

(5) Viscosity μ , kg/ms	m/Lt
(6) Coefficient of cubical expansion β , $1/^\circ C$	$1/T$
(7) Temperature difference causing density change ΔT , $^\circ C$	T
(8) gravitational acceleration, g , m/s^2	L/t^2
(9) Convection coefficient h , W/m^2K	m/t^3T

Solution: The physical parameters are nine in number. The primary dimensions involved are four. Hence five π quantities can be found. The primary quantity is h . The dimensions involved are tabulated below.

	L	ρ	c	k	μ	β	ΔT	g	h
Mass	—	—	—	$\sqrt{}$	$\sqrt{}$	—	—	—	\dot{A}
Length	$\sqrt{}$	\dot{A}	\dot{A}	$\sqrt{}$	$\sqrt{}$	—	—	$\sqrt{}$	—
time	—	—	$\sqrt{}$	$\sqrt{}$	$\sqrt{}$	—	—	$\sqrt{}$	$\sqrt{}$
temp.	—	—	$\sqrt{}$	$\sqrt{}$	—	\dot{A}	$\sqrt{}$	—	—

We can now write $\pi = L^a \rho^b c^c k^d \mu^e \beta^f \Delta T^g h^i$

$$= L^a \left[\frac{m}{L^3} \right]^b \left[\frac{L^2}{t^2 T} \right]^c \left[\frac{mL}{t^3 T} \right]^d \left[\frac{m}{Lt} \right]^e \left[\frac{1}{T} \right]^f T^g \left[\frac{L}{t^2} \right]^h \left[\frac{m}{t^3 T} \right]^i$$

Combining for each dimension,

$$\text{for } L \quad a - 3b + 2c + d - e + h = 0 \quad \dots(i)$$

$$\text{for } m \quad b + d + e + i = 0 \quad \dots(ii)$$

$$\text{for } t \quad -2c - 3d - e - 2h - 3 = 0 \quad \dots(iii)$$

$$\text{for } T \quad -e - d - f + g - i = 0 \quad \dots(iv)$$

As h is the primary quantity $i = 1$ first and $a = 1$, $d = -1$, $g = 0$, $h = 0$ are arbitrarily chosen.

The equations (i) – (iv) reduce to

$$1 - 3b + 2c - 1 - e = 0$$

$$b - 1 + e + 1 = 0$$

$$-2c + 3 - e - 3 = 0$$

$$-c + 1 - f - 1 = 0$$

Solving $b = 0$, $e = 0$ and $f = 0$

This gives $\pi_1 = L^1 k^{-1} h^1 = \frac{hL}{k}$, Nusselt number

$i = 0$ in all other cases. The following arbitrary values are chosen.

$$i = 0, f = 0, e = 1, d = -1, c = 1$$

Then the set of equations reduce to

$$a - 3b + 2 - 1 - 1 = 0$$

$$b - 1 + 1 = 0$$

$$-2 + 3 - 1 - 2h = 0$$

$$-1 + 1 + g = 0$$

Solving $a = 0, b = 0, g = 0, h = 0$

This gives $\pi_2 = c^1 k^{-1} \mu^1 = \frac{c}{K} \mu$, **Prandtl number**

other choices like $a = 0, i = 0, b = 0, f = 0, c = 1$ will also yield the same result. Try this.

Next the following choice is made

$$i = 0, f = 1, g = 1, a = 0, b = 0$$

This gives

$$\begin{aligned} 2c + d - e + h &= 0 \\ d + e &= 0 \\ -2c - 3d - e - 2h &= 0 \\ -c - d - 1 + 1 &= 0 \end{aligned}$$

Solving $c = 0, d = 0, e = 0, h = 0$

This gives $\pi_3 = \beta \Delta T$

Next we choose $i = 0, f = 0, g = 0, c = 0, h = 1$

The equations for L, m, t and T reduce to

$$\begin{aligned} a - 3b + d - e + 1 &= 0 \\ b + d + e &= 0 \\ -3d - e - 2 &= 0 \\ -d &= 0 \end{aligned}$$

Solving $a = 3, b = 2, e = -2, d = 0$

This gives $\pi_4 = \frac{L^3 \rho^2}{\mu^2} g$. This can be checked to be dimensionless

The product $\pi_3 \times \pi_4 = \pi_5 = g \beta \Delta T L^3 \rho^2 / \mu^2$ known as **Grashof number**

The product $\pi_2 \times \pi_3$ is known as **Rayleigh number** and is given by

$$Ra = g \beta \Delta T L^3 \rho^2 c / \mu k$$

The work may appear tedious, but such work only has led to the correlation of experimental results into usable relationships for design.

Problem 7.18: Using the following relationships 1, 2 and 3 for the velocity boundary layer, derive a general expression for the y directional velocity v and obtain therefrom the value at $y = \delta$.

Solution: Assume continuity equation: $\frac{\partial u}{\partial x} + \frac{\partial v}{\partial y} = 0$... (1)

Velocity distribution: $\frac{u}{u_\infty} = \frac{3}{2} \frac{y}{\delta} - \frac{1}{2} \left(\frac{y}{\delta} \right)^3$... (2)

Boundary layer thickness $dx = 4.64 x / \sqrt{Re_x} = \frac{4.64 x^{1/2} \nu^{1/2}}{u_\infty^{1/2}}$... (3)

Also obtain a relationship for the flow out of the boundary layer.

First equation (3) is substituted in equation (2) to obtain a relationship between u_∞ and x .

$$\frac{u}{u_\infty} = \frac{3}{2} \cdot \frac{y u_\infty^{1/2} x^{-1/2}}{4.64 v^{1/2}} - \frac{1}{2} \cdot \frac{y^3 \cdot u_\infty^{3/2} x^{-3/2}}{4.64^3 v^{3/2}}$$

$$\frac{\partial u}{\partial x} = u_\infty \left[\frac{3}{2} \cdot \left(-\frac{1}{2} \right) \cdot \frac{y u_\infty^{1/2}}{4.64 v^{1/2} x^{3/2}} - \frac{1}{2} \left(-\frac{3}{2} \right) \cdot \frac{y^3 \cdot u_\infty^{3/2}}{4.64^3 v^{3/2}} \cdot x^{-5/2} \right]$$

Substituting in equation (1)

$$\frac{\partial v}{\partial y} = -\frac{\partial u}{\partial x} = u_\infty \left[\frac{3}{4} \cdot \frac{u_\infty^{1/2} x^{-3/2}}{4.64 v^{1/2}} \cdot y - \frac{3}{4} \cdot \frac{u_\infty^{3/2} x^{-5/2}}{4.64^3 v^{3/2}} \cdot y^3 \right]$$

Integrating

$$\frac{v}{u_\infty} = \left[\frac{3}{4} \cdot \frac{1}{2} \cdot \frac{u_\infty^{1/2} x^{-3/2}}{4.64 v^{1/2}} \cdot y^2 - \frac{3}{4} \cdot \frac{1}{4} \cdot \frac{u_\infty^{3/2} x^{-5/2}}{4.64^3 v^{3/2}} \cdot y^4 \right]$$

Using the value of $\delta = 4.64 \frac{x^{1/2} v^{1/2}}{u_\infty^{1/2}}$

$$\frac{v}{u_\infty} = \frac{3}{8} \cdot \frac{y^2}{x\delta} - \frac{3}{16} \cdot \frac{y^4}{\delta^3 x} \quad \dots(A)$$

This is the general expression for y directional velocity v .

at

$$y = \delta, \quad \frac{v}{u_\infty} = \frac{3}{16} \frac{\delta}{x} = \frac{3}{16} \frac{4.64 v^{1/2} x^{-1/2}}{u_\infty^{1/2}}$$

$$\therefore v_\delta = \frac{3}{16} \cdot 4.64 \cdot u_\infty^{1/2} v^{1/2} x^{-1/2}$$

This is dependent only on x .

The flow out of the boundary layer *i.e.* at $y = \delta$, up to L can be determined by integrating the expression:

$$\begin{aligned} m_y &= \int_0^L \rho v_\delta dx = \frac{3}{16} \times 4.64 \times u_\infty^{1/2} v^{1/2} \int_0^L x^{-1/2} dx \\ &= \frac{3}{16} 4.64 L \rho u_\infty^{1/2} v^{1/2} \left[\frac{x^{1/2}}{(1/2)} \right]_0^L \\ &= \frac{3}{8} 4.64 L \rho u_\infty \left[\frac{v^{1/2}}{L^{1/2} u_\infty^{1/2}} \right] \\ &= \frac{3}{8} \rho u_\infty \delta_L, \quad (\text{as } \delta_L = 4.64 L / Re_L^{0.5}) \end{aligned}$$

This can also be verified using the velocity distribution to determine the flow through the boundary layer.

At $x = L$, along x

$$\begin{aligned} m_\delta &= \int_0^\delta \rho u \, dy = \rho u_\infty \int_0^\delta \left[\frac{3}{2} (y/\delta) - \frac{1}{2} \left(\frac{y}{\delta} \right)^3 \right] dy \\ &= \rho u_\infty \left[\frac{3}{4} \frac{y^2}{\delta} - \frac{1}{8} \frac{y^4}{\delta^3} \right] \end{aligned}$$

$$\text{at } y = \delta, m_\delta = \frac{5}{8} \rho u_\infty \delta$$

Flow in the free stream of depth $\delta = \rho u_\infty \delta$

\therefore difference = $\frac{3}{8} \rho u_\infty \delta$. As already seen this is the flow in the y direction.

Problem 7.19: Show that in the case of incompressible boundary layer flow with negligible pressure gradient, $\partial^3 u / \partial y^3 = 0$ at $y = 0$.

The momentum equation for the boundary layer is

$$u \frac{\partial u}{\partial x} + v \frac{\partial u}{\partial y} = \nu \frac{\partial^2 u}{\partial y^2}.$$

Solution: Differentiating with respect to y

$$\begin{aligned} \frac{\partial u}{\partial y} \cdot \frac{\partial u}{\partial x} + u \cdot \frac{\partial^2 u}{\partial x \partial y} + \frac{\partial v}{\partial y} \cdot \frac{\partial u}{\partial y} + v \frac{\partial^2 u}{\partial y^2} &= \nu \frac{\partial^3 u}{\partial y^3} \\ \frac{\partial u}{\partial y} \cdot \left(\frac{\partial u}{\partial x} + \frac{\partial v}{\partial y} \right) + u \frac{\partial^2 u}{\partial x \partial y} + v \frac{\partial^2 u}{\partial y^2} &= \nu \frac{\partial^3 u}{\partial y^3} \end{aligned}$$

As $\frac{\partial u}{\partial x} + \frac{\partial v}{\partial y} = 0$ and as both $u = 0$ and $v = 0$ at $y = 0$ the L.H.S. is zero.

$$\text{So} \quad \frac{\partial^3 u}{\partial y^3} = 0 \text{ at } y = 0$$

That $v = 0$ at $y = 0$ can also be seen from equation A in problem no 7.18. The assumed velocity profile leads to

$$\begin{aligned} \frac{u}{u_\infty} &= \frac{3}{2} \frac{y}{\delta} - \frac{1}{2} \left(\frac{y}{\delta} \right)^3 \\ \frac{\partial u}{\partial y} &= u_\infty \left[\frac{3}{2} \cdot \frac{1}{\delta} - \frac{1}{2} 3y^2 \frac{1}{\delta^3} \right] \\ \frac{\partial^2 u}{\partial y^2} &= u_\infty \left[-\frac{6}{2} y \frac{1}{\delta^3} \right] \\ \frac{\partial^3 u}{\partial y^3} &= -3 u_\infty / \delta^3 \end{aligned}$$

This is not zero. Hence the profile assumed is approximate.

Problem 7.20: Derive the integral momentum equation for the boundary layer over a flat plate.

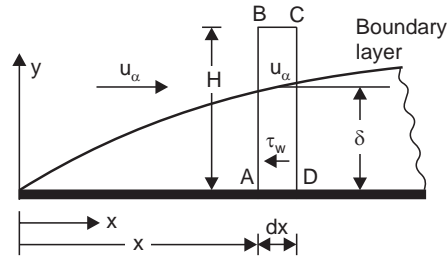


Fig. P. 7.20

Solution: Considering the volume $ABCD$, with unit depth, and with BC well removed from boundary layer

$$\text{Mass flow in through } AB = \int_0^H \rho u \, dy$$

$$\text{Mass flow out through } CD = \int_0^H \rho u \, dy + \frac{d}{dx} \left[\int_0^H \rho u \, dy \right] dx$$

The difference has to come through only BC , as AD is the wall surface

$$\therefore \text{Mass flow in through } BC = \frac{d}{dx} \left[\int_0^H \rho u \, dy \right] dx$$

x directional momentum flow in through

$$AB = \int_0^H \rho u \cdot u \, dy$$

x directional momentum flow in through BC , as x directional velocity well removed from boundary layer is u_∞ .

$$= \frac{d}{dx} \left[\int_0^H \rho u \cdot u_\infty \, dy \right] dx$$

x directional momentum flow out through CD

$$= \int_0^H \rho u^2 \, dy + \frac{d}{dx} \left[\int_0^H \rho u^2 \, dy \right] dx$$

The net momentum flow

$$= \frac{d}{dx} \left[\int_0^H \rho u^2 \, dy \right] dx - \frac{d}{dx} \left[\int_0^H \rho u u_\infty \, dy \right] dx$$

$$= - \frac{d}{dx} \left[\int_0^H \rho u (u_\infty - u) \, dy \right] dx$$

As $(u_\infty - u) = 0$ or negligible beyond, δ , the limit for integration can now be limited δ instead of H .

$$\therefore \text{Net momentum flow} = - \frac{d}{dx} \left[\int_0^{\delta} \rho u(u_{\infty} - u) dy \right] dx$$

As the net force (neglecting pressure gradient) is $-\tau_{\omega}$

$$- \mu \left. \frac{du}{dy} \right|_{y=0} dx$$

\therefore The momentum equation is given by

$$\frac{d}{dx} \left[\int_0^{\delta} \rho u(u_{\infty} - u) dy \right] dx = \mu \left. \frac{du}{dy} \right|_{y=0} dx$$

or
$$\frac{d}{dx} \left[\int_0^{\delta} \rho u(u_{\infty} - u) dy \right] = \mu \left. \frac{du}{dy} \right|_{y=0}$$

This can be integrated if function $u = f(y)$ is known or specified.

Problem 7.21: Assuming linear variation of velocity in the boundary layer i.e. $\frac{u}{u_{\infty}} = \frac{y}{\delta}$, upto $y = \delta$, and then $u = u_{\infty}$, determine using the integral momentum equation, the boundary layer thickness.

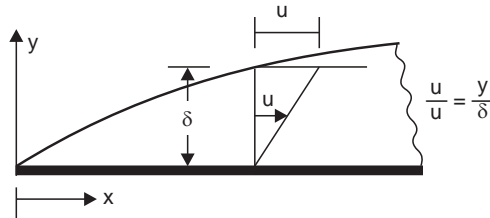


Fig. P. 7.21

Solution:
$$\frac{u}{u_{\infty}} = \frac{y}{\delta}, \quad \therefore u = \frac{u_{\infty} y}{\delta}$$

Substituting in the integral momentum equation

$$\frac{d}{dx} \left[\int_0^{\delta} \rho u(u_{\infty} - u) dy \right] = \mu \left. \frac{du}{dy} \right|_{y=0} \quad \dots(A)$$

Evaluating the integral

$$\begin{aligned} \int_0^{\delta} \rho \frac{u_{\infty} y}{\delta} \left(u_{\infty} - \frac{u_{\infty} y}{\delta} \right) dy &= \int_0^{\delta} \frac{\rho u_{\infty}^2}{\delta} y dy - \int_0^{\delta} \frac{\rho u_{\infty}^2}{\delta^2} y^2 dy \\ &= \left[\frac{\rho u_{\infty}^2 y^2}{2\delta} - \frac{\rho u_{\infty}^2 y^3}{3\delta^2} \right]_0^{\delta} = \frac{1}{6} \rho u_{\infty}^2 \delta \end{aligned}$$

The R.H.S. $\frac{du}{dy} \Big|_{y=0} = \frac{u_\infty}{\delta}$

Substituting in A

$$\frac{1}{6} \rho u_\infty^2 \delta \cdot d\delta = \mu u_\infty dx$$

Integrating $\frac{1}{12} \rho u_\infty^2 \delta^2 = \mu u_\infty x + C$

As $\delta = 0$ at $x = 0$, $C = 0$

$$\delta^2 = \frac{12 \mu x^2}{\rho u_\infty x} = 12 x^2 (v/u_\infty x)$$

$$\therefore \delta = \sqrt{12} x / \sqrt{Re_x} = 3.46 x / \sqrt{Re_x}$$

The constant is 3.46 in the place of 5 for exact solution. A cubic fit will increase this to 4.64

$$\begin{aligned} C_{fx} &= \tau_s / (\rho u^2 / 2) = \mu \frac{du}{dy} \Big|_{y=0} \cdot \frac{2}{\rho u_\infty^2} \\ &= \mu \frac{u_\infty}{\delta} \cdot \frac{2}{\rho u_\infty^2} = \frac{\mu \cdot 2 \sqrt{Re_x}}{\rho u_\infty \times 3.46 x} = 0.55 / Re_x^{0.5} \end{aligned}$$

compare with $0.664 Re_x^{-0.5}$ by the exact analysis.

Problem 7.22: Derive the integral energy equation for the thermal boundary layer over a fiat plate

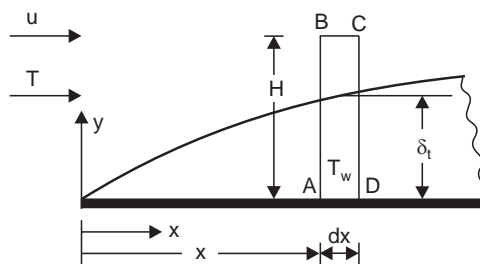


Fig. P. 7.22

Solution: Considering the volume $ABCD$ with BC well removed from the thermal boundary layer, and neglecting viscous work.

Mass flow through $BC = \frac{d}{dx} \left[\int_0^H \rho u dy \right] dx$ (Ref. previous problem)

Energy flow in through $AB = \int_0^H cp u T dy$

Energy flow through BC (T_∞ is used as the entering fluid is at T_∞)

$$= \frac{d}{dx} \left[\int_0^H cp u T_\infty dy \right] dx$$

Energy flow through CD

$$= \int_0^H c \rho u T dy + \frac{d}{dx} \left[\int_0^H c \rho u T dy \right] dx$$

Net energy flow out of the element

$$\begin{aligned} & \frac{d}{dx} \left[\int_0^H c \rho u T dy \right] dx - \frac{d}{dx} \left[\int_0^H c \rho u T_\infty dy \right] dx \\ &= - \frac{d}{dx} \left[\int_0^H c \rho u (T_\infty - T) dy \right] dx \end{aligned}$$

As $T_\infty - T = 0$ beyond δ_t upper limit for integration can be changed to δ_t .

This energy flow is equal to the heat conducted at the wall surface AD , as there is no temperature gradient along the other faces.

$$\text{The heat conducted} = -k \left. \frac{dT}{dy} \right|_{y=0} dx$$

\therefore The energy equation reduces to

$$- \frac{d}{dx} \left[\int_0^{\delta_t} c \rho u (T_\infty - T) dy \right] = k \left. \frac{dT}{dy} \right|_{y=0}$$

This equation can be integrated if $u = f_1(y)$ and $T = f_2(y)$ are known or specified. (See standard texts for the same, a simple example is given in the next problem).

Problem 7.23: Assuming the following velocity and temperature profiles and the integral energy equation derive an expression for the local heat transfer coefficient

(i) $u = u_\infty$ for all values

(ii) $\frac{T - T_\infty}{T_w - T_\infty} = \frac{y}{\delta}$, δ - thermal boundary layer thickness.

Solution: (i) The energy equation is

$$- \frac{d}{dx} \left[\int_0^\delta c \rho u (T - T_\infty) dy \right] = k \left. \frac{dT}{dy} \right|_{y=0}$$

Substituting the values of u and T in the L.H.S. integral

$$\begin{aligned} \text{(ii)} \int_0^\delta \frac{c \rho u_\infty (T_w - T_\infty)}{\delta} \cdot y \cdot dy &= \left[\frac{c \rho u_\infty (T_w - T_\infty)}{\delta} \frac{y^2}{2} \right]_0^\delta \\ &= \frac{c \rho u_\infty (T_w - T_\infty) \delta}{2} \end{aligned}$$

$$\text{R.H.S., } k \left. \frac{dT}{dy} \right|_{y=0} = k \frac{(T_w - T_\infty)}{\delta}$$

$$\frac{d}{dx} \left[\frac{c \rho u_\infty (T_w - T_\infty) \delta}{2} \right] = k \frac{T_w - T_\infty}{\delta}$$

$$\therefore \delta d\delta = \frac{2k}{c\rho u_\infty} dx, \text{ integrating}$$

$$\delta^2 = \frac{4k}{c\rho u_\infty} x + C \quad \text{or as } d = 0 \text{ at } x = 0, C = 0$$

$$\therefore \delta^2 = 4x^2 \frac{k}{\rho c} \cdot \frac{\mu}{\mu u_\infty x} = 4 \times x^2 / (Re_x Pr)$$

$$\therefore \delta = 2x / (Re_x Pr)^{0.5}$$

$$h_x (T_w - T_\infty) = \frac{k(T_w - T_\infty)}{2\delta} \cdot (Re_x Pr)^{0.5}$$

$$\therefore \frac{hx}{k} = Nu_x = 0.5 (Re_x Pr)^{0.5}$$

Compare with relations for liquid metal given by

$Nu_x = 0.565 (Re_x Pr)^{0.5}$ for $Pr < 0.05$ and $Re < 5 \times 10^5$ (for liquid metals, as the velocity boundary layer is very thin $u = u_\infty$ is valid).

Problem 7.24: Assuming the following velocity and temperature profiles and the integral form of the energy equation, determine the value of the local convection coefficient

(i) $u = u_\infty$ for all y values

$$(ii) \frac{T - T_\infty}{T_w - T_\infty} = \frac{3}{2} \frac{y}{\delta} - \frac{1}{2} \left(\frac{y}{\delta} \right)^3, \delta - \text{Thermal boundary layer thickness.}$$

Solution: (i) The integral form of the energy equation is

$$-\frac{d}{dx} \left[\int_0^\delta c \rho u (T - T_\infty) dy \right] = k \frac{dT}{dy} \Big|_{y=0}$$

The L.H.S. after substitution of the profiles is (the integral only)

$$\left[\int_0^\delta c \rho u_\infty (T_w - T_\infty) \left[\frac{3}{2} \frac{y}{\delta} - \frac{1}{2} \left(\frac{y}{\delta} \right)^3 \right] dy \right]$$

$$c \rho u_\infty (T_w - T_\infty) \left[\frac{3}{4\delta} y^2 - \frac{1}{8} \frac{y^4}{\delta^3} \right]_0^\delta = c \rho u_\infty (T_w - T_\infty) \frac{5}{8} \delta$$

$$k \frac{dT}{dy} \Big|_{y=0} = k (T_w - T_\infty) \cdot \frac{3}{2} \frac{1}{\delta} \text{ only the first term contributes}$$

$$\therefore \delta \frac{d\delta}{dx} = \frac{8}{5} \frac{k}{c\rho u_\infty} \frac{3}{2}, \text{ integrating}$$

$$\delta^2 = \frac{48}{10} \frac{k}{c\mu} \frac{\mu}{\rho u_\infty x} x^2 \quad \therefore \delta = \frac{2.191 x}{(Re_x Pr)^{0.5}}$$

$$\frac{3}{2} k (T_w - T_\infty) \frac{1}{\delta} = h_x (T_w - T_\infty)$$

$$\therefore \frac{h_x x}{k} = \frac{3}{2} \frac{(Re_x Pr)^{0.5}}{2.191} = 0.685 (Re_x Pr)^{0.5}$$

Compare with $0.565 (Re_x Pr)^{0.5}$ correlation for liquid metals for $Pr < 0.05$ and $Re_x < 5 \times 10^5$.

OBJECTIVE QUESTIONS

Choose the correct statement

- 7.1 The convective heat transfer coefficient in laminar flow over a flat plate
 (a) increases if a lighter fluid is used
 (b) increases if a higher viscosity fluid is used
 (c) increases if higher velocities are used
 (d) increases with distance.
- 7.2 In the boundary layer over a flat plate in laminar flow the velocity is
 (a) zero at the boundary layer thickness.
 (b) slowly decreases from the free stream to the solid surface
 (c) slowly increases from the free stream to the wall
 (d) only temperature in the boundary layer will be different from that of free stream.
- 7.3 As viscosity of fluid increases the boundary layer thickness
 (a) will increase (b) will decrease
 (c) will not change
 (d) will increase at medium values and then will decrease.
- 7.4 The temperature gradient in the fluid flowing over a flat plate
 (a) will be zero at the surface (b) will be positive at the surface
 (c) will be very steep at the surface (d) will be zero at the top of the boundary layer.
- 7.5 The ratio of thermal to hydrodynamic boundary layer thickness varies as
 (a) root of Reynolds number (b) root Nusselt number
 (c) root of Prandtl number (d) one third power of Prandtl number.
- 7.6 In liquid metal flow over a flat plate ($T_s > T_\infty$)
 (a) The hydrodynamic boundary layer will be very thick and thermal boundary layer will be very thick.
 (b) The hydrodynamic boundary layer will be very thin and thermal boundary layer will also be thin
 (c) The two will be more or less equal
 (d) The thermal boundary layer will be thick and hydrodynamic boundary layer will be thin.
- 7.7 In forced convection molecular diffusion causes
 (a) momentum flow in turbulent region
 (b) momentum flow in the laminar region
 (c) Heat flow in the turbulent region
 (d) diffusion has no part in energy transfer.

- 7.8 Heat transfer rate
(a) will be higher in turbulent flow
(b) will be lower in turbulent flow
(c) will depend only on the fluid
(d) will depend only on viscosity.
- 7.9 Nusselt number is
(a) ratio of viscous to inertia forces
(b) dimensionless heat transfer coefficient
(c) ratio of conduction to convection resistance
(d) signifies the velocity gradient at the surface.
- 7.10 Reynolds number is
(a) ratio of conduction to convection resistance
(b) ratio of buoyant to inertia forces
(c) ratio of viscous to inertia forces
(d) ratio of heat conducted to the heat capacity.
- 7.11 Prandtl number is
(a) ratio of buoyant force to inertia force
(b) ratio of conduction to convection resistance
(c) signifies the temperature gradient at the surface
(d) ratio of Molecular momentum diffusivity to thermal diffusivity.
- 7.12 The Stanton number is
(a) the dimensionless temperature gradient at the surface in convection
(b) Mass diffused to heat diffused
(c) dimensionless convection coefficient
(d) wall heat transfer/heat transfer by convection.

EXERCISE PROBLEMS

- 7.1 Nitrogen at 1 atm and -20°C flows over a flat plate at 20° at a free stream velocity of 15 m/s. Determine the boundary layer thickness, (both hydrodynamic and thermal) coefficient of drag and local convection heat transfer coefficient at a distance of 0.4 m from the leading edge.
- 7.2 Air at 10 atm and 25°C flows with free stream velocity of 6 m/s over a flat plate at 75°C . Determine the heat flux at 0.05 m intervals upto a distance where the Reynolds number is 5×10^5 .
- 7.3 A van with a roof length of 3.6 m travels in air at 30°C . Determine the speed of travel at which the flow over the roof will turn just turbulent.
- 7.4 Air flows parallel to the sides of a house at -20°C with a speed of 12 km/hr. The size of the surface is 4 m \times 3 m, the flow being along the 4 m side. The wall surface is at 20°C . Determine the heat loss to air from the wall.
- 7.5 Compare the boundary layer thicknesses at 0.4 m for the flow of
(i) air and (ii) water, with a free stream velocity of 1 m/s. The film temperature is 40°C .
- 7.6 Compare the value of local heat transfer coefficient at 0.2 m for flow of (i) water (ii) engine oil at a film temperature of 40°C , with a free stream velocity of 1.5 m/s.
- 7.7 Compare the value of local convective heat transfer coefficient for water flow over a flat plate at a film temperature of 40°C at $Re = 5 \times 10^5$ assuming the flow to be (i) laminar (ii) turbulent
- 7.8 Assuming $u/u_{\infty} = y/\delta$, derive an expression for the y component of velocity in the boundary layer. Use the continuity equation and $\delta = 3.64 x/\sqrt{Re_x}$.

- 7.9 Assuming $u/u_\infty = \sin(\pi y/2\delta)$ derive an expression for the y variation of velocity in the boundary layer. Use the continuity equation and $\delta = 4.5 x / \sqrt{Re_x}$.
- 7.10 Derive an expression for the y direction momentum flow at the boundary layer. Use the continuity and momentum equations.
- 7.11 Experimental results for convection coefficient for flow of air at a film temperature 30°C predicted a value of $15 \text{ W/m}^2\text{K}$ at a location x . If the results are to be used for predictions for flow of water at a film temperature of 30°C , for velocities of 0.1 and 0.2 times that of air, determine the value of x at which the convection coefficient will have the same value as of that of air.
- 7.12 The local convection coefficient for flow of air at a film temperature of 20°C and pressure of 0.6 atm at a distance of 0.5 m was determined as $12 \text{ W/m}^2\text{K}$. Using the result predict the value of local convection coefficient for Hydrogen at a film temperature of 100°C and at 2 atm at a distance of 0.4 m. Assume equal velocity.
- 7.13 Helium at 0.2 atm and a film temperature of 50°C was used to cool a plate specimen at 100°C by flow over the surface evolving heat at 1 kW. It is proposed to change the medium to Hydrogen keeping the film temperature to be the same. Determine the pressure at which Hydrogen is to be used to achieve the purpose.
- 7.14 It is proposed to use air flow to predict the laminar flow heat transfer characteristics of Hydrogen in the pressure range of 0.1 to 8 atm with flow velocities ranging from 10 m/s to 60 m/s at a film temperature of 30°C . If the air pressure variation to be limited to 0.8 to 1.2 atm and if the film temperature is to be 20°C and the plate length is to remain the same, determine the air velocity range suitable for the test.
- 7.15 Hot gases at 120°C and 1 atm with property values approximating to that of air flows over a $1 \text{ m} \times 1 \text{ m}$ plate parallel to a side with a free stream velocity of 30 m/s. One side of the plate is maintained at 60°C . The heat flow through the plate is no correction to be taken up by air at 20°C , flowing parallel to the hot stream with velocity of 10 m/s. Determine the pressure of the air to be used.
- 7.16 A mild breeze at 7 km/hr flows over the flat roof of a building. The surface temperature is 10°C while the air is at -30°C . Determine the heat loss by convection over the roof of $3 \text{ m} \times 3 \text{ m}$ size.
- 7.17 Water at 20°C flows over a plate at 80°C with a velocity of 3 m/s. The length of the plate is 1.2 m. Determine the value of local and average convection coefficients at the trailing edge. Also determine the location at which turbulence sets in.
- 7.18 In the problem 7.17, determine the location in the laminar region at which the local heat transfer coefficient has the same value as that at the trailing edge.
- 7.19 At a location the ground water temperature varies between 15°C to 25°C . This water is to be chilled by flow over a flat plate below which brine at -5°C flows. The rate of flow of brine is large so that the plate temperature can be taken to be constant at -5° . The water flow is at a free stream velocity of 1 m/s. Determine the change in the value of local convection coefficient during the seasons if the plate length is 0.8 m.
- 7.20 The average friction coefficient in the laminar region for flow over a flat plate 0.6 m long is 3.32×10^{-6} . Determine the value of average convection coefficient for flow of air at a film temperature of 40°C . Also determine the boundary layer thickness.

Answers for Objective Questions

1. (c), 2. (b), 3. (a), 4. (d), 5. (d), 6. (d), 7. (b), 8. (a), 9. (c), 10. (c), 11. (d), 12. (c)

8

CONVECTIVE HEAT TRANSFER Practical Correlations - Flow Over Surfaces

8.0 INTRODUCTION

In chapter 7 the basics of convection was discussed and the methods of analysis were enumerated, correlations were obtained for laminar flow over flat plate at uniform temperature, starting from basic principles and using the concept of boundary layer. The application of these correlations are limited. However these equations provide a method of correlation of experimental results and extension of these equations to practical situations of more complex nature. Though the basic dimensionless numbers used remain the same, the constants and power indices are found to vary with ranges of these parameters and geometries. In this chapter it is proposed to list the various types of boundaries, ranges of parameters and the experimental correlations found suitable to deal with these situations, as far as flow over surfaces like flat plates, cylinders, spheres and tube banks are concerned.

8.1 FLOW OVER FLAT PLATES

Equations for heat transfer in laminar flow over flat plate were derived from basics in Chapter 7. In this chapter additional practical correlations are introduced. Though several types of boundary conditions may exist, these can be approximated to three basic types. These are (i) constant wall temperature, (as may be obtained in evaporation, condensation etc., phase change at a specified pressure) (ii) constant heat flux, as may be obtained by electrical strip type of heating and (iii) flow with neither of these quantities remaining constant, as when two fluids may be flowing on either side of the plate.

Distinct correlations are available for constant wall temperature and constant heat flux. But for the third case it may be necessary to approximate to one of the above two cases.

8.1.1. Laminar flow: The condition is that the Reynolds number should be less than 5×10^5 or as may be stated otherwise. For the condition that the plate temperature is constant the following equations are valid with fluid property values taken at the film temperature.

Hydrodynamic boundary layer thickness (from Chapter 7)

$$\delta_x = 5x/Re_x^{0.5} \quad \dots(8.1)$$

Thermal boundary layer thickness

$$\delta_{tx} = \delta_x Pr^{-0.333} \quad \dots(8.2)$$

Displacement thickness and Momentum thickness are not directly used in heat transfer calculations. However, it is desirable to be aware of these concepts.

Displacement thickness is the difference between the boundary layer thickness and the thickness with uniform velocity equal to free stream velocity in which the flow will be the same as in the boundary layer. For laminar flow displacement thickness

$$\text{is defined as } \int_0^{\delta} \left(1 - \frac{u}{u_{\infty}}\right) dy$$

$$\delta_d = \delta_x/3 \quad \dots(8.3)$$

Momentum thickness is the difference between the boundary layer thickness and the layer thickness which at the free stream velocity will have the same momentum as in the boundary layer.

Momentum thickness δ_m in the laminar region is defined by

$$\int_0^{\delta} \left[\frac{u}{u_{\infty}} - \left(\frac{u}{u_{\infty}}\right)^2 \right] dy$$

$$\delta_m = \delta_x/7 \quad \dots(8.4)$$

Friction coefficient defined as $\tau_s/(\rho u_{\infty}^2/2)$ is given by

$$C_{fx} = 0.664 Re_x^{-0.5} \quad \dots(8.5)$$

The average value of C_f in the laminar region for a length L from leading edge is given by (Chapter 7)

$$C_{fL} = 1.328 Re_L^{-0.5} \quad \dots(8.6)$$

The value of **local Nusselt number** is given by (Chapter 7)

$$Nu_x = 0.332 Re_x^{0.5} Pr^{0.33} \quad \dots(8.7)$$

$$\bar{N}u_L = 2NuL = 0.664 Re_L^{0.5} Pr^{1/3} \quad \dots(8.7 (a))$$

This is valid for Prandtl number range of 0.6 to 50.

For low values of Prandtl numbers as in the case of **liquid metals, the local Nusselt number is**

$$Nu_x = 0.565 (Re_x Pr)^{0.5} \quad \dots(8.8)$$

This is valid for Prandtl number less than 0.05 (liquid metals) A more general expression applicable for both low and high values of Prandtl number is given by

$$Nu_x = \frac{0.3387 Re_x^{0.5} Pr^{0.333}}{[1 + (0.0468 / Pr)^{0.67}]^{0.25}} \quad \dots(8.9)$$

This is valid for $Pr < 0.05$ and $Pr > 50$ and $Re_x Pr > 100$. (liquid metals and silicones).

Note: The modification for very high values of Prandtl number is very little as can be seen in the worked out problems.

It may be seen that there is gap in the range of Prandtl number 0.6 to 0.1. If one goes through property values of various fluids in practical application, it will be seen that no fluid is having Prandtl numbers in this range.

8.1.2. Constant heat flux: The local Nusselt number is given by

$$Nu_x = 0.453 Re_x^{0.5} Pr^{0.333} \quad \dots(8.10)$$

This is also valid in the range of Prandtl numbers 0.6 to 50. In constant heat flux boundary the plate temperature varies along the lengths. Hence the temperature difference between the plate and the free stream varies continuously. The average **difference in temperature between the fluid and surface length x** is given by

$$T_{wx} - T_{\infty} = (qx/k)/[0.6795 Re_x^{0.5} \cdot Pr^{0.33}] \quad \dots(8.11)$$

For low as well as high values of Prandtl numbers the relationship is (For $Pr < 0.05$ and $Pr > 50$)

$$Nu_x = \frac{0.453 Re_x^{0.5} Pr^{0.333}}{[1 + (0.0207 / Pr)^{0.67}]^{0.25}} \quad \dots(8.12)$$

The property values are at film temperature.

In all cases, the average Nusselt number is given by

$$\bar{Nu}_L = 2 Nu_L \quad \dots(8.13)$$

This is applicable in all cases when $Nu \propto Re^{0.5}$

Using the analogy between heat and momentum transfer the **Stanton number** is given by

$$St Pr^{0.67} = C_f/2 \quad \dots(8.14)$$

The equations (8.1) to (8.14) are applicable for laminar flow over flat plates. The choice of the equation depends upon the values of Prandtl number and Reynolds numbers (laminar flow).

Property values should be at the film temperature, $(T_s + T_{\infty})/2$.

Eight examples follow, using different fluids at different conditions.

Example 8.1: *In a process water at 30°C flows over a plate maintained at 10°C with a free stream velocity of 0.3 m/s. Determine the hydrodynamic boundary layer thickness, thermal boundary layer thickness, local and average values of friction coefficient, heat transfer coefficient and refrigeration necessary to maintain the plate temperature. Also find the values of displacement and momentum thicknesses. Consider a plate of 1 m × 1 m size.*

Solution: The film temperature = $(30 + 10)/2 = 20^\circ\text{C}$

The property values are:

Kinematic viscosity = $1.006 \times 10^{-6} \text{ m}^2/\text{s}$,

Thermal conductivity = 0.5978 W/mK

Prandtl number = 7.02 , at 1m

$$Re_x = \frac{u_{\infty} x}{\nu} = \frac{0.3 \times 1}{1.006 \times 10^{-6}} = 2.982 \times 10^5 \quad \therefore \text{laminar}$$

$$\therefore \delta_x = 5x/Re_x^{0.5} = 9.156 \times 10^{-3} \text{ m} = \mathbf{9.156 \text{ mm}}$$

$$\delta_{tx} = \delta_x \cdot Pr^{-0.33} = 9.156(7.02)^{-0.33} = \mathbf{4.782 \text{ mm}}$$

Thermal boundary layer will be thinner if $Pr > 1$

Displacement thickness

$$\delta_d = \delta_x/3 = 9.156/3 = \mathbf{3.052 \text{ mm}}$$

Momentum thickness

$$\delta_m = \delta_x/7 = 9.156/7 = \mathbf{1.308 \text{ mm}}$$

$$\begin{aligned}
 C_{fx} &= 0.664/Re^{0.5} = 0.664/(2.982 \times 10^5)^{0.5} = \mathbf{1.216 \times 10^{-3}} \\
 C_{fL} &= 2 \times C_{fL} = 2 \times 1.216 \times 10^{-3} = \mathbf{2.432 \times 10^{-3}} \\
 Nu_x &= 0.332 \times Re_x^{0.5} Pr^{0.33} = 0.332 \times (2.982 \times 10^5)^{0.5} \times 7.02^{0.33} \\
 &= 347.15
 \end{aligned}$$

$$h_x = Nu_x \frac{k}{L} = 347.15 \times 0.5978/1 = \mathbf{207.52 \text{ W/m}^2\text{K}}$$

$$\bar{h} = 2 h_L = \mathbf{415.04 \text{ W/m}^2\text{K}}$$

cooling required = $hA \Delta T = 415.04 \times 1 \times 1 \times (30 - 10) = \mathbf{8301 \text{ W or } 8.3 \text{ kW}}$.

Example 8.2: Sodium potassium alloy (25% + 75%) at 300°C flows over a 20 cm long plate element at 500°C with a free stream velocity of 0.6 m/s. The width of plate element is 0.1 m. Determine the hydrodynamic and thermal boundary layer thicknesses and also the displacement and momentum thicknesses. Determine also the local and average value of coefficient of friction and convection coefficient. Also find the heat transfer rate.

Solution: The film temperature is $(300 + 500)/2 = 400^\circ\text{C}$

The property values are:

Kinematic viscosity = $0.308 \times 10^{-6} \text{ m}^2/\text{s}$, $Pr = 0.0108$,

Thermal conductivity = 22.1 W/mK , at 0.2 m,

$$Re_x = 0.6 \times 0.2/0.308 \times 10^{-6} = 3.9 \times 10^5 \quad \therefore \text{laminar}$$

$$\therefore \delta_x = 5x/Re_x^{0.5} = \mathbf{1.6 \text{ mm}}$$

$$\delta_{tx} = \delta_x \cdot Pr^{-0.33} = \mathbf{7.25 \text{ mm}}$$

This is larger by several times. So most of the thermal layer is outside the velocity boundary layers.

Displacement thickness:

$$\delta_d = 1.6/3 = \mathbf{0.53 \text{ mm}}$$

Momentum thickness

$$\delta_m = 1.6/7 = \mathbf{0.229 \text{ mm}}$$

It can be seen that thermal effect is predominant

$$C_{fx} = 0.664/Re^{0.5} = 0.664/(3.9 \times 10^5)^{0.5} = \mathbf{1.064 \times 10^{-3}}$$

$$\bar{C}_{fL} = \mathbf{2.128 \times 10^{-3}}$$

Using equation (8.8) as the Prandtl number is very low (less than 0.05)

$$Nu_x = 0.565 \times (Re_x Pr)^{0.5} = 36.65$$

$$h_x = Nu_x \frac{k}{L} = 36.65 \times 22.1/0.2 = \mathbf{4050 \text{ W/m}^2\text{K}}$$

$$\bar{h} = 2 \times h_L = \mathbf{8100 \text{ W/m}^2\text{K}}$$

$$\text{Heat flow} = 8100 \times 0.2 \times 0.1 \times (500 - 300) = \mathbf{32,399 \text{ W or } 32.4 \text{ kW}}$$

Alternately using equation (8.9)

$$Nu_x = \frac{0.3387 Re_x^{0.5} Pr^{0.333}}{[1 + (0.0468 / Pr)^{0.67}]^{0.25}}$$

$$= \frac{0.3387 \times (3.9 \times 10^5)^{0.5} (0.0108)^{0.33}}{[1 + (0.0468 / 0.0108)^{0.67}]^{0.25}} = 33.79$$

$$\therefore \mathbf{h_x} = \frac{33.79 \times 22.1}{0.2} = \mathbf{3734 \text{ W/m}^2\text{K}}$$

$$\bar{\mathbf{h}} = \mathbf{7468 \text{ W/m}^2\text{K}} \quad \mathbf{Q} = 29.87 \text{ kW}$$

If equation (8.7) had been used $Q = 40.5 \text{ kW}$, an over estimate.

Example 8.3: Engine oil at 80°C flows over a flat surface at 40°C for cooling purpose, the flow velocity being 2 m/s . Determine at a distance of 0.4 m from the leading edge the hydrodynamic and thermal boundary layer thickness. Also determine the local and average values of friction and convection coefficients.

Solution: The film temperature is $(80 + 40)/2 = 60^\circ\text{C}$

The property values are read from tables at 60°C as kinetic viscosity $= 83 \times 10^{-6} \text{ m}^2/\text{s}$, $\mathbf{Pr} = 1050$. Thermal conductivity $= 0.1407 \text{ W/mK}$

$$Re_x = \frac{u_\infty x}{\nu} = \frac{2 \times 0.4}{83 \times 10^{-6}} = 9639, \text{ laminar}$$

$$\therefore \delta_x = 5x/Re_x^{0.5} = 0.02037 \text{ m} = \mathbf{20.37 \text{ mm}}$$

$$\delta_{tx} = \delta_x Pr^{-1/3} = 20.37 \times 1050^{-0.333} = \mathbf{2 \text{ mm}}$$

Thermal boundary layer is very thin as different from liquid metal-viscous effect is predominant.

$$C_{fx} = 0.664/Re_x^{0.5} = 6.76 \times 10^{-3}$$

$$\bar{\mathbf{C}}_{fL} = \mathbf{0.0135} \text{ (rather large)}$$

As the values of Prandtl number is very high equation (8.9) can be used

$$Nu_x = \frac{0.3387 Re_x^{0.5} Pr^{0.33}}{[1 + (0.0468 / Pr)^{0.67}]^{0.25}}$$

$$= \frac{0.3387 \times 9639^{0.5} \times 1050^{0.33}}{[1 + (0.0468 / 1050)^{0.67}]^{0.25}} = 337.97/1.0003 = 337.87$$

$$\mathbf{h_x} = \frac{Nu_x k}{x} = \frac{337.87 \times 0.1407}{0.4} = \mathbf{118.85 \text{ W/m}^2\text{K}}$$

$$\bar{\mathbf{h}} = 2h_x = 118.85 \times 2 = \mathbf{237.69 \text{ W/m}^2\text{K}}$$

For 1 m width the heat flow is given by

$$\mathbf{Q} = 237.69 \times 0.4 \times 1 (80 - 40) = 3803 \text{ W or } 3.803 \text{ kW}$$

If **equation (8.7)** is used $Nu = 331.3$ and $\mathbf{h} = 233.01 \text{ W/m}^2\text{K}$. The difference is very little.

Example 8.4: Air at 20°C flows over a flat plate having a uniform heat flux of 800 W/m^2 . The flow velocity is 4 m/s and the length of the plate is 1.2 m . Determine the value of heat transfer coefficient and also the temperature of the plate as the air leaves the plate.

Solution: As the plate temperature varies, the value of film temperature cannot be determined. For the first trial, the properties of air at 20°C are used.

$$\nu = 15.06 \times 10^{-6}, k = 0.02593 \text{ W/mK}, Pr = 0.703$$

First, a check for laminar flow:

$$Re = \frac{u_\infty L}{\nu} = \frac{4 \times 1.2}{15.06 \times 10^{-6}} = 3.187 \times 10^5 \quad \therefore \text{laminar}$$

For constant heat flux, the **average temperature difference** can be found by using equation (8.11)

$$\overline{T_x - T_\infty} = (qL/k)/[0.6795 Re_x^{0.5} Pr^{0.33}] = 108.54^\circ\text{C}$$

Now properties may be found at $(108.54 + 20)/2 = 64.27^\circ\text{C}$

$T^\circ\text{C}$	$\nu, \text{m}^2/\text{s}$	$k, \text{W/mK}$	Pr
60	18.97×10^{-6}	0.02896	0.696
70	20.02×10^{-6}	0.02966	0.694
64.27	19.42×10^{-6}	0.02926	0.695

Using the equation again

$$T_w - T_\infty = \frac{800 \times 1.2}{0.02926} \cdot \frac{1}{0.6795 (4 \times 1.2 / 19.42 \times 10^{-6})^{0.5} (0.695)^{0.333}}$$

$$= 109.644^\circ\text{C}$$

\therefore Film temperature = 64.82°C

It does not make much of a difference.

To determine the value of convection coefficient, equation (8.11) is used.

$$Nu_x = 0.453 [Re_x Pr]^{0.5} = 0.453 \left[\frac{4 \times 1.2 \times 0.695}{19.42 \times 10^{-6}} \right]^{0.5} = 187.75$$

$$\therefore h_x = \frac{187.75}{1.2} \times 0.02926 = 4.58 \text{ W/m}^2\text{K}$$

$$\bar{h} = 9.16 \text{ W/m}^2\text{K}$$

To find the temperature at the trailing edge the basic heat flow equation is used:

$$(T_w - T_\infty) = \frac{qx}{kNu_x} \text{ as } (h = Nuk/x)$$

$$= \frac{800 \times 1.2}{0.02926 \times 187.75} = 174.75^\circ\text{C}$$

$$\therefore T_w = 194.75^\circ\text{C}.$$

Example 8.5: Water at 10°C flows over a flat plate with a uniform heat flux of 8.3 kW/m^2 . The velocity of flow is 0.3 m/s . Determine the value of convective heat transfer coefficient and also the temperature at a distance of 1 m from the leading edge.

Solution: As the film temperature cannot be specified the properties will be taken at 10°C for the first trial

$$\nu = (1.788 + 1.006) \times 10^{-6}/2 = 1.393 \times 10^{-6} \text{ m}^2/\text{s}$$

$$Pr = (13.6 + 7.03)/2 = 10.31$$

at 1 m, $k = (0.5524 + 0.5978)/2 = 0.5751 \text{ W/mK}$
 $Re_x = 0.3 \times 1/1.393 \times 10^{-6} = 2.154 \times 10^5 \quad \therefore \text{laminar}$

The average temperature difference

$$= \frac{q.L}{k} \cdot \frac{1}{0.6795 Re^{0.5} Pr^{0.333}}$$

$$= \frac{8300 \times 1}{0.5751} \cdot \frac{1}{0.6795 \times (2.154 \times 10^5)^{1/2}} \cdot \frac{1}{10.31^{0.333}} = 21.03^\circ\text{C}$$

The property values can now be taken at 15.1°C and results refined.

The heat transfer coefficient can be determined using eqn. (8.10).

$$Nu_x = 0.453 Re_x^{0.5} Pr^{0.333}$$

taking property values at 15.51°C

$$Nu_x = 465.9$$

$$\therefore h_x = 465.9 \times 0.58762/1 = 273.8 \text{ W/m}^2\text{K}$$

Average value = $547.5 \text{ W/m}^2\text{K}$ (compare with example 8.1)

Temp. difference at 1 m:

$$h\Delta T = q \quad \therefore \Delta T = \frac{q}{h}$$

$$\therefore h = Nu \cdot k/x \quad \therefore \Delta T = \frac{qx}{Nu k}$$

$$\Delta T = \frac{qx}{k} \cdot \frac{1}{Nu_x} = \frac{8300 \times 1}{0.58762 \times 465.9} = 30.32^\circ\text{C}$$

Example 8.6: Sodium potassium alloy (25% + 75%) at 300°C flows over a plate element with free stream velocity of 0.6 m/s . The plate has a uniform heat generation rate of 1600 kW/m^2 . Determine the value of average convection coefficient for a length of 0.2 m . Also determine the plate temperature at this point.

Solution: The Prandtl number has a value less than 0.05 and there is no equation to determine the temperature difference. Equation (8.12) is used, starting with property values at 300°C

$$v = 0.336 \times 10^{-6} \text{ m}^2/\text{s}, \text{Pr} = 0.0134, k = 22.68$$

$$Re_x = 0.6 \times 0.2/0.336 \times 10^{-6} = 3.279 \times 10^5$$

\therefore Laminar. For low value of Pr using equation (8.12).

$$Nu_x = \frac{0.453 Re_x^{0.5} Pr^{0.33}}{[1 + (0.0207 / Pr)^{0.67}]^{0.25}}$$

$$= \frac{0.453 \times 3.279 \times 10^5 (0.0134)^{0.333}}{[1 + (0.0207 / 0.0134)^{0.67}]^{0.25}} = 49.83$$

$$h_x = \frac{49.83 \times 22.68}{0.2} = 5651 \text{ W/m}^2\text{K}$$

$$\bar{h} = 11302.1 \text{ W/m}^2\text{K}$$

The average temperature difference:

$$\Delta T = \frac{q}{h} = \frac{1600000}{11302} = 141.6^\circ \text{C}$$

Compare with example 8.2. The results can be refined now taking property values at $300 + (141.6)/2 = 370.8^\circ\text{C}$ (film temperature). Interpolating

$$\nu = -(0.366 - 0.308) \times 0.708 + 0.366 = 0.325 \times 10^{-6} \text{ m}^2/\text{s}$$

$$Pr = -(0.0134 - 0.0108) \times 0.708 + 0.0134 = 0.0116$$

$$k = -(22.68 - 22.10) \times 0.708 + 22.68 = 22.27 \text{ W/mK}$$

$$\begin{aligned} \therefore Nu_x &= \frac{0.453 \times (0.6 \times 0.2 / 0.325 \times 10^{-6})^{0.5} (0.0116)^{0.33}}{[1 + (0.0207 / 0.0116)^{0.67}]^{0.25}} \\ &= 49.7 \text{ as compared to } 49.83. \text{ Values are not very different.} \end{aligned}$$

Using equation (8.8), $Nu_x = 0.565 (Re Pr)^{0.5} = 36.98$, compared with 49.7.

Example 8.7: Engine oil at 60°C flows over a flat surface with a velocity of 2 m/s , the length of the surface being 0.4 m . If the plate has a uniform heat flux of 10 kW/m^2 , determine the value of average convective heat transfer coefficient. Also find the temperature of the plate at the trailing edge.

Solution: As the film temperature cannot be determined, the property values are taken at free stream temperature of 60°C

Kinematic viscosity $\nu = 83 \times 10^{-6} \text{ m}^2/\text{s}$, $Pr = 1050$, $k = 0.1407 \text{ W/mK}$

$$Re_x = \frac{u_\infty x}{\nu} = \frac{2 \times 0.4}{83 \times 10^{-6}} = 9639 \quad \therefore \text{laminar}$$

Using equation (8.12)

$$Nu_x = \frac{0.453 Re_x^{0.5} Pr^{0.33}}{[1 + (0.0207 / Pr)^{0.67}]^{0.25}} = \frac{0.453 \cdot 9639^{0.5} \cdot 1050^{0.333}}{[1 + (0.0207 / 1050)^{0.67}]^{0.25}} = 451.95$$

$$h_x = \frac{451.95 \times k}{x} = \frac{451.95 \times 0.1407}{0.4} = 158.97 \text{ W/m}^2\text{K}$$

$$\bar{h} = h_L \times 2 = 317.94 \text{ W/m}^2\text{K}$$

The average temperature difference:

$$\Delta T = \frac{q}{h} = \frac{100000}{317.94} = 31.45^\circ\text{C}$$

Now the film temperature can be taken as

$$\frac{31.45}{2} + 60 = 75.73^\circ\text{C}$$

Using property tables

	ν	Pr	k
80°C	37×10^{-6}	490	0.1384
60°C	83×10^{-6}	1050	0.1407

at 75.73°C , $\nu = 46.82 \times 10^{-6} \text{ m}^2/\text{s}$, $Pr = 609.6$, $k = 0.1389$

$$Nu_x = \frac{0.453(2 \times 0.4 / 46.82 \times 10^{-6})^{0.5} (609.6)^{0.33}}{[1 + (0.0207 / 609.6)^{0.67}]^{0.25}} = 501.95$$

$$h_x = \frac{Nu_x k}{x} = \frac{501.95 \times 0.1389}{0.4} = 174.3 \text{ W/m}^2\text{K}$$

$$\bar{h} = 348.6 \text{ W/m}^2\text{K}$$

$$\Delta T = \frac{10000}{348.6} = 28.7^\circ\text{C}$$

The value can be refined further using new value of film temperature.

To determine the **plate temperature at the edge**:

$$\Delta T = \frac{10000}{174.3} = 57.4^\circ\text{C}$$

$$\therefore T = 60 + 57.4 = 117.4^\circ\text{C}$$

Compare with example 8.3

8.1.3. Other Special Cases: Laminar constant wall temperature, with heating starting at a distance x_0 from the leading edge.

The correlation is obtained as below

$$Nu_x = 0.332 \cdot Re_x^{0.5} Pr^{0.33} \left[1 - \left(\frac{x_0}{x} \right)^{0.75} \right]^{-0.333} \quad \dots(8.15)$$

At $x_0 = 0$, this will reduce to the regular expression given by equation (8.7). The average value in this case will not be $2 Nu_x$ and the above expression has to be integrated over the length to obtain the value.

Example 8.8: Considering water at 30°C flowing over a flat plate $1 \text{ m} \times 1 \text{ m}$ at 10°C with a free stream velocity of 0.3 m/s , plot the variation of h_x along the length if heating starts from 0.3 m from the leading edge.

Solution: The film temperature = $(30 + 10)/2 = 20^\circ\text{C}$

The property values are: $\nu = 1.006 \times 10^{-6} \text{ m}^2/\text{s}$, $Pr = 7.02$, $k = 0.5978 \text{ W/mK}$

$$\text{The maximum value of } Re_x = \frac{0.3 \times 1}{1.006 \times 10^{-6}} = 2.98 \times 10^5$$

\therefore Laminar flow exists all along.

$$Nu_x = 0.332 Re_x^{0.5} Pr^{0.33} \left[1 - \left(\frac{x_0}{x} \right)^{0.75} \right]^{-0.333}$$

$$h_x = k \cdot Nu_x / x$$

$$\text{at } x = 0.35: \quad h_x = \frac{0.5978}{0.35} \times 0.332 \left(\frac{0.3 \times 0.35}{1.006 \times 10^{-6}} \right)^{0.5} (7.02)^{0.333}$$

$$\left[1 - \left(\frac{0.3}{0.35} \right)^{0.75} \right]^{-0.333} = 733.93 \text{ W/m}^2\text{K}$$

Similarly for other values at 0.4, 0.5, 0.6, 0.7, 0.8, 0.9, and 1.0

Distance x m	h_x with heating from $x = 0$ $\text{W/m}^2\text{K}$	h_x with heating from $x = 0.3 \text{ m}$ $\text{W/m}^2\text{K}$
0.3	367.47	0
0.35	340.21	733.93
0.4	318.24	549.67
0.5	284.64	416.90
0.6	259.84	315.09
0.7	240.57	309.34
0.8	225.03	279.70
0.9	212.16	257.20
1.0	201.27	239.35

The average value over the heated length can be found only by integrating between $x = x_0$ and $x = L$.

8.2 TURBULENT FLOW

$Re_x > 5 \times 10^5$ or as specified. In flow over flat plate, the flow is initially laminar and after some distance turns turbulent, the value of Reynolds number at this point being near 5×10^5 . However, there are circumstances under which the flow turns turbulent at a very short distance, due to higher velocities or due to disturbances, roughness etc. The critical Reynolds number in these cases is low and has to be specified. In the turbulent region the velocity **boundary layer thickness** is given by

$$\delta_x = 0.381 x \times Re_x^{-0.2} \quad \dots(8.16)$$

$$\delta_t \approx \delta_x \quad \dots(8.17)$$

The **displacement and momentum thickness** are much thinner. The **displacement thickness** is

$$\delta_d = \delta_x / 8 \quad \dots(8.18)$$

Momentum thickness is

$$\delta_m = (7/72) \delta_x \quad \dots(8.19)$$

The local friction coefficient defined as $\tau_w / (\rho u_\infty^2 / 2)$ is given for the range Re_x from 5×10^5 to 10^7 by

$$C_{fx} = 0.0592 Re_x^{-0.2} \quad \dots(8.20)$$

For higher values of Re in the range 10^7 to 10^9

$$C_{fx} = 0.37 [\log_{10} Re_x]^{-2.584} \quad \dots(8.21)$$

The **local Nusselt number** is given by

$$Nu_x = 0.0296 Re_x^{0.8} Pr^{0.33} \quad \dots(8.22)$$

The **average Nusselt number** is given by

$$\bar{Nu} = 0.037 Re^{0.8} Pr^{0.33} \quad \dots(8.23)$$

$\bar{Nu} = Nu_x/0.8$ in this case as **Nu is dependent on $Re_x^{0.8}$** . Using analogy between momentum and heat transfer

$$Nu_x = \frac{(C_{fx}/2)Re_x Pr}{1 + 12.8 (C_{fx}/2)^{0.5} (Pr^{0.68} - 1)} \quad \dots(8.24)$$

To obtain the average value, this expression has to be integrated from $x = 0$ to $x = L$. But this is more complex.

For constant heat flux, the Nusselt number is found to increase by 4% over the value for constant wall temperature.

$$\therefore Nu_x (\text{constant heat flux}) = 1.04 Nu_x (\text{Constant wall temperature}) \dots(8.25)$$

Example 8.9: Air at -10°C flows over a flat surface at 10°C with a free stream velocity of 80 m/s . The length of the plate is 3.1 m . Determine the **location at which the flow turns turbulent**. Also determine the local and average value of convection coefficient assuming that the flow is turbulent although. Compare the value of local heat transfer coefficient calculated using the equation obtained by analogy. (8.24).

Solution: The film temperature is $(-10 + 10)/2 = 0^\circ\text{C}$

The property values are

$$\nu = 13.28 \times 10^{-6} \text{ m}^2/\text{s}, Pr = 0.707, k = 0.02442 \text{ W/mK}$$

$$Re_x \text{ at } 3.1 \text{ m}$$

$$Re = (80 \times 3.10/13.28 \times 10^{-6}) = 1.8675 \times 10^7$$

\therefore turbulent flow exists

location at which $Re = 5 \times 10^5$ is

$$x = \frac{5 \times 10^5 \times 13.28 \times 10^{-6}}{80} = \mathbf{0.083 \text{ m}}$$

This length is much shorter (2.7% of the total length) and so the assumption that flow is turbulent all through is valid. Hydrodynamic boundary layer thickness

$$\delta_x = 0.381 \times 3.1 \times (1.8675 \times 10^7)^{-0.2} = \mathbf{41.54 \text{ mm}}$$

Thermal boundary layer thickness is also

$$\delta_t = \mathbf{41.54 \text{ mm}}$$

Displacement thickness

$$\delta_d = 41.54/8 = \mathbf{5.19 \text{ mm}}$$

Momentum thickness

$$\delta_m = \frac{7}{72} \times 41.54 = \mathbf{4.04 \text{ mm}}$$

As Re is in the border ($< 10^8$), we can calculate C_{fx} using eqn (8.20) or (8.21).

$$C_{fx} = 0.0592 \times Re_x^{-0.2} = \mathbf{2.08 \times 10^{-3}}$$

Using 8.21 $C_{fx} = 0.37 [\log_{10} Re_x]^{-2.584} = 2.197 \times 10^{-3}$

Local Nusselt number is given by eqn. 8.22

$$\begin{aligned} Nu_x &= 0.0296 Re_x^{0.8} Pr^{0.33} \\ &= 0.0296 \times (1.8675 \times 10^7)^{0.8} (0.707)^{0.33} = 17302.2 \end{aligned}$$

$$\therefore \mathbf{h_x = \frac{Nu_x k}{L} = 136.3 \text{ W/m}^2\text{K}}$$

Average value $\bar{Nu} = 0.037 Rex^{0.8} \times Pr^{0.33}$

$$\therefore \mathbf{\bar{h} = 170.4 \text{ W/m}^2\text{K}}$$

If constant heat flux prevails, this value is increased by 4%. Using Analogy: using C_{fx} by eqn. (8.20)

$$Nu_x = \frac{(C_{fx} / 2) Re_x \cdot Pr}{1 + 12.8 (C_{fx} / 2)^{0.5} (Pr^{0.68} - 1)} = 15035$$

By using C_{fx} for higher range:

$$Nu_x = 15922$$

These values are not very much different from the one using eqn. (8.22) (8%).

The values of convection coefficients calculated may be out by as much as 25% in certain cases and as such these estimates are acceptable.

Example 8.10: Water at 30°C flows over a flat plate 1 m × 1 m at 10°C with a free stream velocity of 4 m/s. Determine the thickness of boundary layers, displacement thickness, momentum thickness, local and average value of drag coefficient and convection coefficient.

Solution: The film temperature = (30 + 10)/2 = 20°C. Property values at this temperature are $\nu = 1.006 \times 10^{-6} \text{ m}^2/\text{s}$, $Pr = 7.02$, $k = 0.5978 \text{ W/mK}$.

The maximum value of Reynolds number at 1 m is

$$= 4 \times 1/1.006 \times 10^{-6} = 3.976 \times 10^6 \quad \therefore \text{Turbulent}$$

The length at which flow turns turbulent:

$$(4 \times x/1.006 \times 10^{-6}) = 5 \times 10^5 \quad \therefore \mathbf{x = 0.12575 \text{ m.}}$$

This is 12.5% of total length. As such the assumption that the flow is turbulent although is not unacceptable.

Boundary layer thickness:

$$\begin{aligned} \delta_x &= 0.381 \times Re_x^{-0.2} \times 1 = 0.381 \times (3.976 \times 10^6)^{-0.2} \\ &= 0.1824 \text{ m} = \mathbf{18.24 \text{ mm}} \end{aligned}$$

Thermal boundary layer thickness is also the same = **18.24 mm**

Displacement thickness:

$$\delta_d = \delta_x/8 = \mathbf{2.28 \text{ mm}}$$

Momentum thickness

$$\delta_m = \frac{7}{72} \times \delta_x = \mathbf{1.773 \text{ mm}}$$

$$C_{fx} = 0.0592 \times Re_x^{-0.2} = 2.83 \times 10^{-3}$$

$$\begin{aligned}\bar{C}_f &= C_{fx}/0.8 = 3.54 \times 10^{-3} \\ Nu_x &= 0.0298 Re_x^{0.8} Pr^{0.33} = 0.0296 \times (3.976 \times 10^6)^{0.8} \times (7.02)^{0.3} \\ &= 10788.8 \\ h_x &= \frac{Nu_x k}{x} = \frac{10788.8 \times 0.5978}{1} = 6449.6 \text{ W/m}^2\text{K} \\ \bar{Nu} &= 0.037 \times Re^{0.8} \times Pr^{0.33} = 13486 \\ \bar{h} &= 8062 \text{ W/m}^2\text{K}\end{aligned}$$

For constant heat flux, the average value is increased by 4%.

By using analogy

$$\begin{aligned}Nu_x &= \frac{(C_{fx}/2)Re_x \cdot Pr}{1 + 12.8(C_{fx}/2)^{0.5}(Pr^{0.68} - 1)} = 16967 \\ \therefore h_x &= 10143 \text{ W/m}^2\text{K}\end{aligned}$$

This is on the higher side.

8.2.1. The assumption that the flow is turbulent although (from start) may not be acceptable in many situations. **The average values are now found by integrating the local values up to the location where $Re = 5 \times 10^5$ using laminar flow relationship and then integrating the local value beyond this point using the turbulent flow relationship and then taking the average.** This leads to the following relationship for constant wall temperature.

$$\delta_x = 0.381x \times Re_x^{-0.2} - 10256x \times Re_x^{-1.0} \quad \dots(8.26)$$

$$C_{fL} = 0.074 Re_L^{0.2} - 1742 Re_L^{-1.0} \quad \dots(8.27)$$

This is for critical Reynolds number of 5×10^5 . A more general relationship can be used for other values of critical Reynolds number.

$$C_{fL} = \frac{0.455}{(\log_{10} Re_L)^{2.584}} - \frac{A}{Re_L} \quad 8.28$$

Where A is given in the tabulation below

Re_{cr}	A
3×10^5	1050
5×10^5	1700
1×10^6	3300
3×10^6	8700

$$Nu_x = Pr^{0.333} [0.037 Re_L^{0.8} - 871] \quad \dots(8.29)$$

for $Re_{cr} = 5 \times 10^5$, or more generally

$$Nu_L = Pr^{0.333} [0.037 Re_L^{0.8} - A] \quad \dots(8.30)$$

where

$$A = 0.037 Re_{cr}^{0.8} - 0.664 Re_{cr}^{0.5} \quad \dots(8.31)$$

$$\text{By analogy } St_x \cdot Pr^{0.666} = C_{fx}/2 \quad \dots(8.32)$$

For large temperature differences, the estimates may be off the mark by as much as 25%. For low or high Prandtl numbers, these expressions are to be used with some reservations.

For constant heat flux, the value of h is to be increased by 4 percent.

Example 8.11: Considering the data of Example 8.10, determine the average value of convection coefficient and C_f values taking into consideration the laminar region. Compare with problem 8.10.

Plate length 1 m, velocity = 4 m/s, plate temperature = 10°C, Water temperature = 30°C. Film temperature = 20°C. The property values are $\nu = 1.006 \times 10^{-6} \text{ m}^2/\text{s}$, $Pr = 7.02$, $k = 0.5978 \text{ W/mK}$.

Solution: The maximum value of Reynolds number

$$= 4 \times 1/1.006 \times 10^{-6} = 3.976 \times 10^6 \quad \therefore \text{Turbulent}$$

Assuming

$$Re_{cr} = 5 \times 10^5$$

$$\delta_x = 0.381 x Re_x^{-0.2} - 10256 x Re_x^{-1.0}$$

$$= 0.381 \times 1 [4/1.006 \times 10^{-6}]^{-0.2} - 10256 \times 1/[4/1.006 \times 10^{-6}]$$

$$= 0.01566 \text{ m or } \mathbf{15.66 \text{ mm (compared to 18.24 mm)}}$$

$$C_{fL} = 0.074 Re_L^{-0.2} - 1742 Re_L^{-1.0}$$

$$= \mathbf{3.10 \times 10^{-3} \text{ (compared to } 3.54 \times 10^{-3} \text{ in example 8.10)}}$$

$$Nu = Pr^{0.33} [0.037 Re_L^{0.8} - 871]$$

$$= \mathbf{11818 \text{ (compared to 13486)}}$$

Example 8.12: Air at -10°C flows over a flat plate at 10°C with a free stream velocity of 10 m/s, the length of the plate being 3.1 m. Determine the average value of friction coefficient and convection coefficient taking into account the laminar length and compare the values with those obtained assuming turbulent flow throughout. (example 8.9)

Solution: The film temperature = $(-10 + 10)/2 = 0^\circ\text{C}$

The property values are: $\nu = 13.28 \times 10^{-6} \text{ m}^2/\text{s}$, $Pr = 0.707$

$$k = 0.02442 \text{ W/mK}$$

The maximum value of Reynolds number

$$= 3.1 \times 10/(13.38 \times 10^{-6}) = 2.33 \times 10^6 \quad \therefore \text{turbulent}$$

Critical length: 0.664 m \therefore necessary to consider laminar region.

Assuming turbulent flow throughout:

$$\bar{C}_f = \frac{0.0592}{0.8} Re_L^{-0.2} = \mathbf{3.94 \times 10^{-3}}$$

Taking laminar region into account

$$\bar{C}_f = 0.074 Re_L^{-0.2} - 1742/Re_L = \mathbf{3.195 \times 10^{-3}}$$

Heat transfer coefficient (**turbulent all through**)

$$\overline{Nu}_L = 0.037 \times Re_L^{0.8} Pr^{0.33} = 4098$$

$$\therefore \mathbf{h} = \frac{Nu_L \times k}{L} = \mathbf{32.28 \text{ W/m}^2\text{K}}$$

Considering laminar region

$$\overline{Nu}_L = Pr^{0.333} [0.037 \times Re_L^{0.8} - 871] = 3321$$

$$\bar{\mathbf{h}} = \mathbf{26.17 \text{ W/m}^2\text{K}}$$

Note that at low velocities it will be better to consider the laminar region in taking averages.

8.3. FLOW ACROSS CYLINDERS

The other type of flow over surfaces is **flow across cylinders** often met with in heat exchangers and hot or cold pipe lines in the open. An important difference is the velocity distribution along the flow. The obstruction by the cylinder causes a closing up of the streamlines and an increase in pressure at the stagnation point. The velocity distribution at various locations in the flow differs from the flow over a flat plate as shown in Fig. 8.1.

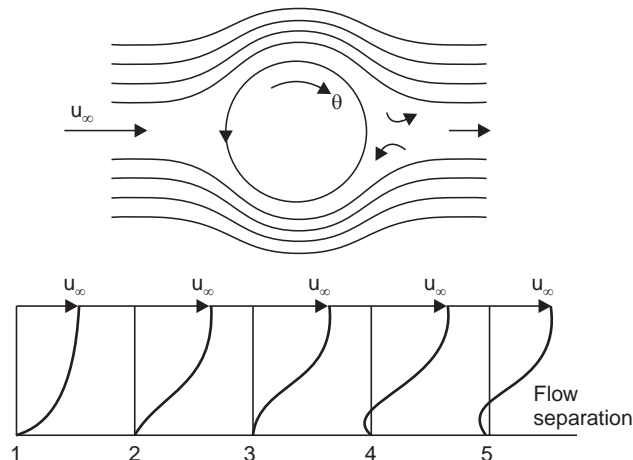


Fig. 8.1. Velocity distribution at various angular locations in flow across cylinders.

As the flow pattern affects the heat transfer, it is found to be difficult to provide a generalised analytical solution for the problem. The drag coefficient C_D is defined by

Drag force = $C_D A_f \frac{\rho u_\infty^2}{2}$. Where A_f is the frontal or projected area. (for a cylinder of

length of L it is equal to $L.D$). It is not based on the wetted area. The nature of variation of drag coefficient for cylinder and sphere with Reynolds number is shown in Fig. 8.2. Reynolds number should be calculated with diameter D as the length parameter and is some times referred as Re_D .

Thus a simple and single correlation for C_D is difficult. The variation of local heat transfer coefficient with angular location for two values of Reynolds number is shown in Fig. 8.3.

For angles upto 80° , the variation of Nusselt number can be represented by

$$h_\theta = 1.14 Re_D^{0.5} Pr^{0.4} \left[1 - \left(\frac{\theta}{90} \right)^3 \right] \quad \dots(8.32(b))$$

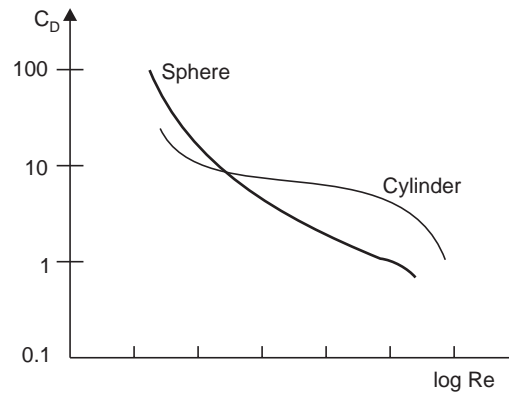


Fig. 8.2. Variation of C_D with Reynolds number for flow over cylinders and spheres.

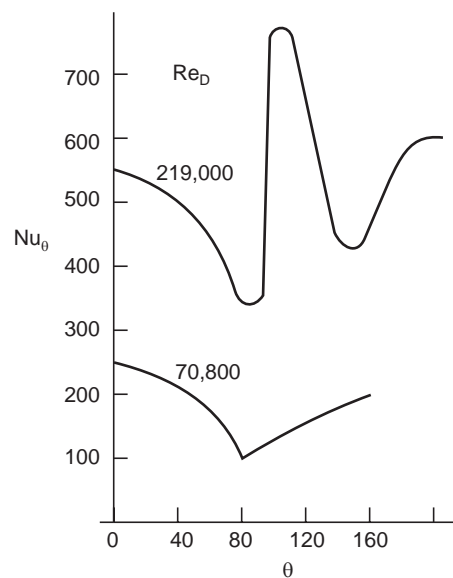


Fig. 8.3. Variation of Nusselt number with angular location.

This also shows that averaging out the convection coefficient is difficult. The experimental values measured by various researchers plotted using common parameters Re_D and Nu_D (log log plot) is shown in Fig. 8.4. It can be seen that scatter is high at certain regions and several separate straight line correlations are possible for various ranges. Some researchers have limited their correlations for specific ranges and specific fluids. Thus a number of correlations are available and are listed below.

A very widely used correlation is of the form (1958)

$$Nu_D = CRc_D^m Pr^{0.333} \quad \dots(8.33)$$

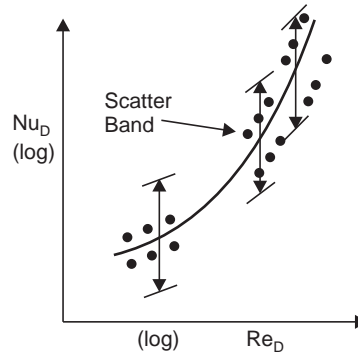


Fig. 8.4. Variation of Nu_D with Re_D for flow across cylinders.

Where C and m are tabulated below. The applicability of this correlation for very low values of Prandtl number is doubtful. The length parameter in Nusselt number is diameter D and Nusselt number is referred as Nu_D .

The properties are to be evaluated at the film temperature.

Re_D	C	m
0.4–4.0	0.989	0.330
4–40.0	0.91	0.385
40–4000	0.683	0.466
4000–40000	0.193	0.618
40000–400000	0.0266	0.805

A more recent (1972) generalised form is

$$Nu_D = C Re_D^m Pr^n \left(\frac{Pr_\infty}{Pr_w} \right)^{0.25} \quad \dots(8.34)$$

The validity for this correlation is for

$$0.7 < Pr < 500; 1 < Re_D < 10^6 \quad \text{and}$$

with $n = 0.36$ for $Pr < 10$ and $n = 0.37$ for $Pr > 10$

The values of C and m are tabulated below

Re_D	C	m
1–4.0	0.75	0.4
40– 10^3	0.51	0.5
$10^3 - 2 \times 10^5$	0.26	0.6
$2 \times 10^2 - 10^6$	0.076	0.7

The properties for Re and Pr should be at free stream temperature.

A two range (1972) correlation is given below: (f -film temp.)

$$Nu_D = [0.43 + 0.50 Re_D^{0.5}] Pr^{0.38} \left(\frac{Pr_f}{Pr_w} \right)^{0.25} \quad \dots(8.35(a))$$

$$1 < Re_D < 10^3$$

$$Nu_D = 0.25 Re_D^{0.6} Pr^{0.38} \left(\frac{Pr_f}{Pr_w} \right)^{0.25} \quad \dots(8.35(b))$$

$$10^3 < Re_D < 2 \times 10^5$$

This equation is applicable both for gases and liquids with the following conditions:

1. For gases the ratio of Pr numbers can be taken as unity.
2. For gases properties to be evaluated at film temperature.
3. For liquids properties to be evaluated at free stream temperature.

This is not suitable for very low and very high values of Prandtl numbers.

A correlation for liquids is given by (1965)

$$Nu_D = [0.35 + 0.56 Re_D^{0.52}] Pr^{0.33} \quad \dots(8.36)$$

$$10^{-1} < Re_D < 10^5 \text{ and properties at film temperature.}$$

No indication is available for the applicability at low values of Pr. Another correlation (1972) applicable over wider range is

$$Nu_D = [0.4 Re_D^{0.5} + 0.06 Re_D^{0.67}] Pr^{0.4} \left[\frac{\mu_\infty}{\mu_w} \right]^{0.25} \quad \dots(8.37)$$

$$10 < Re_D < 10^5; 0.67 < Pr < 300$$

$$0.25 < \frac{\mu_\infty}{\mu_w} < 5.2.$$

The properties are to be evaluated at free stream temperature T_∞ . Another set of equations (1977) suitable for a wider range of parameters both Reynolds and Prandtl is

$$Nu_D = 0.3 + \frac{0.62 Re_D^{0.5} Pr^{0.333}}{\left[1 + \left(\frac{0.4}{Pr} \right)^{0.67} \right]^{0.75}} \left[1 + \left(\frac{Re_D}{282000} \right)^{0.625} \right]^{0.8} \quad \dots(8.38(a))$$

for $100 < Re_D < 10^7, Pe = Re_D Pr > 0.2$

The properties are to be evaluated at film temperature.

A modification of this equation for limited range of Reynolds number is

$$Nu_D = 0.3 + \frac{0.62 Re_D^{0.5} Pr^{0.333}}{\left[1 + \left(\frac{0.4}{Pr} \right)^{0.67} \right]^{0.25}} \left[1 + \left(\frac{Re_D}{282000} \right)^{0.5} \right] \quad \dots(8.38(b))$$

$$2 \times 10^4 < Re_D < 4 \times 10^5, Pr > 0.2$$

This equation use properties at film temperature and is applicable for all fluids. Finally for liquid metals another correlation. (1975) is obtained as

$$Nu_D = [0.8237 - \ln(Pe_D^{0.5})]^{-1} \quad \dots(8.39(a))$$

where

$$Pe = RePr$$

Other correlations for liquid metals over cylinder are (1979)

$$Nu_D = 1.125 (Re_D Pr)^{0.413} \quad \dots(8.39(b))$$

$$1 \leq Re_D Pr \leq 100.$$

Analytical results are also available for **constant wall temperature**.

$$Nu_D = 1.015 (Re_D Pr)^{0.5}.$$

For constant **heat flux** $Nu_D = 1.145 (Re_D Pr)^{0.5}$

This is applicable only for very low values of Pr and Pe. Nu will become negative for higher values of Pe in eqn (8.39 (a)). Equations (8.33) to (8.39) are obtained from various experimental results, the difference being that each one of these is dividing the spectrum into different ranges of parameters. However a common warning is that most of these may give results varying as much as 25% from experimental results. A single correlation applicable for various ranges will be easier to use in computer application (say 8.38).

In actual application one has to weight carefully the parameter ranges before choosing the equation to be used.

8.3.1. Flow Across non Circular Shapes: The general correlation used for gases, including the Pr 0.333 in the constant is (1949)

$$Nu = C Re_D^n \quad \dots(8.40(a))$$

$$Nu = C_1 Re_D^n Pr^{0.33} \quad \dots(8.40(b))$$

The values of C, C₁ and n various shapes are tabulated below. The properties are at film temperature.

Shape	Re_D range	n	C	C_1
Square along diagonal length diagonal distance	5000–100000	0.588	0.222	0.246
Ellipse along major axis length minor axis	2500–15000	0.612	0.224	0.250
Square along diagonal, length diagonals distance	2500–7500	0.624	0.267	0.292
Square along face, side	2500–8000	0.699	0.160	0.178
Square along face, side	5000–100000	0.675	0.092	0.102
Plane, perpendicular, width	4000–15000	0.731	0.205	0.228
hexagon perpendicular to flats, corner distance	5000–19500	0.638	0.144	0.160
hexagon perpendicular to flats, corner distance	19500–100000	0.782	0.035	0.039
hexagon along flats, length, between flats	5000–100000	0.638	0.138	0.153
ellipse along minor axis length, major axis	3000–15000	0.804	0.085	0.095

Example 8.13: Air at 30°C flows across a steam pipe of 0.2 m dia at a surface temperature of 130°C, with a velocity of 6 m/s. Determine the value of convective heat transfer coefficient using equations (8.33), (8.34), (8.35) and (8.37) and (8.38).

Solution: Property values are required both at T_∞ and T_f and T_w

i.e. 30°C , $(30 + 130)/2 = 80^\circ\text{C}$ and 130°C

ν	Pr	k	μ
30°C: $16 \times 10^{-6} \text{ m}^2/\text{s}$	0.701	0.02675	$18.63 \times 10^{-6} \text{ Ns/m}^2$
80°C: $21.09 \times 10^{-6} \text{ m}^2/\text{s}$	0.692	0.03047	$21.08 \times 10^{-6} \text{ kg/ms}$
130°C: $26.625 \times 10^{-6} \text{ m}^2/\text{s}$	0.687	0.034135	$23.29 \times 10^{-6} \text{ kg/ms}$

Equation (8.33), properties at film temp.:

$$Re = uD/\nu = 6 \times 0.2/(21.09 \times 10^{-6}) = 56,899$$

$$\therefore Nu = CRe^m Pr^{0.33}$$

From tables **C = 0.0266, m = 0.805**

$$\therefore Nu = 0.0266 (56899)^{0.805} (0.692)^{0.333} = 158.29$$

$$\therefore h = Nu \times \frac{k}{D} = 21.11 \text{ W/m}^2\text{K}$$

$$\text{Equation (8.34)} \quad Nu = CRe^m Pr^n \left(\frac{Pr_\infty}{Pr_w} \right)^{0.25}$$

Properties at free stream temp. : at 30°C

$$Re = (6 \times 0.2/16 \times 10^{-6}) = 75000 = 0.75 \times 10^5$$

From tables, **C = 0.26, m = 0.6** as $Pr < 10$, $n = 0.36$,

$$\begin{aligned} \therefore Nu &= 0.26 (75000)^{0.6} (0.701)^{0.36} \left(\frac{0.701}{0.687} \right)^{0.25} \\ &= 192.8 \quad \therefore h = 25.79 \text{ W/m}^2\text{K} \quad (k \text{ at } 30^\circ\text{C}, 0.02675) \end{aligned}$$

Equation (8.35 b), is applicable

$$Nu = 0.25 Re^{0.6} Pr^{0.38} \left(\frac{Pr_f}{Pr_w} \right)^{0.25}$$

for gases: $(Pr_f/Pr_w)^{0.25} = 1$. for gases properties at film temp. at 80°C

$$\begin{aligned} Nu &= 0.25 (56899)^{0.6} (0.692)^{0.38} \\ &= 154.97 \quad \therefore h = \frac{154.9 \times 0.03047}{0.2} = 23.61 \text{ W/m}^2\text{K} \end{aligned}$$

Equation (8.37) Properties at T_∞ , 30°C

$$\begin{aligned} Nu &= [0.4 Re^{0.5} + 0.06 Re^{0.67}] Pr^{0.4} \left[\frac{\mu_\infty}{\mu_w} \right]^{0.25} \\ &= \left[0.4 \times \left(\frac{6 \times 0.2}{16 \times 10^{-6}} \right)^{0.5} + 0.06 \left(\frac{6 \times 0.2}{16 \times 10^{-6}} \right)^{0.67} \right] [0.701]^{0.4} \left[\frac{18.63 \times 10^{-6}}{23.29 \times 10^{-6}} \right]^{0.25} \end{aligned}$$

$$= 180.76 \quad \therefore \quad \mathbf{h = 24.18 \text{ W/m}^2\text{K}}, (k = 0.02675)$$

Equation (8.38 (b)) properties at film temperature

$$\begin{aligned} Nu &= 0.3 + \frac{0.62 Re^{0.5} Pr^{0.333}}{\left[1 + \left(\frac{0.4}{Pr}\right)^{0.67}\right]^{0.25}} \left[1 + \left(\frac{Re}{282000}\right)^{0.5}\right] \\ &= 0.3 + \frac{0.62 (56899)^{0.5} (0.701)^{0.333}}{\left[1 + \left(\frac{0.4}{0.701}\right)^{0.67}\right]^{0.25}} \left[1 + \left(\frac{56899}{282000}\right)^{0.5}\right] \\ &= 167.36 \quad \therefore \quad \mathbf{h = 25.5 \text{ W/m}^2\text{K}} \end{aligned}$$

In this example all the various equation provide answers within a small band. This is only fortitious and not necessarily so in all cases. The parameters are not in the extreme range.

Example 8.14: Liquid sodium at 300°C flows across a tube 0.05 m outside dia at 500°C with a velocity of 8 m/s. Determine the value of convective heat transfer coefficient using suitable correlations.

Solution: Property values may be required at all the three temperature T_∞ , T_f and T_w .

$T^\circ\text{C}$	$\nu, \text{m}^2/\text{s}$	Pr	$k, \text{W/mK}$	$\mu = \nu\rho, \text{kg/ms}$
300	0.394×10^{-6}	0.0063	70.94	878×10^{-6}
400	0.330×10^{-6}	0.0056	63.97	854×10^{-6}
500	0.289×10^{-6}	0.0053	56.99	829×10^{-6}

The possible correlations are **only 8.33** and 8.38 (a). Equation (8.33) properties at film temp., 400°C, $Nu = CRe^m Pr^{0.333}$

$Re = 8 \times 0.05/0.330 \times 10^{-6} = 1212121$, (1.212×10^6) values of C and m are only up to 400,000 $C = 0.0266$, $m = 0.805$

$$\therefore \quad Nu = 0.0266 (1.212 \times 10^6)^{0.805} \times 0.0056^{0.333} = 372.85,$$

$$\therefore \quad \mathbf{h = \frac{372.85 \times 63.97}{0.05} = 477022 \quad \text{or} \quad 0.477 \times 10^6 \text{ W/m}^2\text{K}}$$

$$\begin{aligned} \text{equation (8.38(a)) } \quad Nu &= 0.3 + \frac{0.62 Re^{0.5} Pr^{0.333}}{\left[1 + \left(\frac{0.4}{Pr}\right)^{0.67}\right]^{0.75}} \left[1 + \left(\frac{Re}{282000}\right)^{0.625}\right]^{0.8} \\ &= 0.3 + \frac{0.62 (1.212 \times 10^6)^{0.5} (0.0056)^{0.333}}{\left[1 + \left(\frac{0.4}{0.0056}\right)^{0.67}\right]^{0.25}} \left[1 + \left(\frac{1.212 \times 10^6}{282000}\right)^{0.625}\right]^{0.8} \\ &= 159.16 \quad \therefore \quad \mathbf{h = 203236 \text{ W/m}^2\text{K}} \end{aligned}$$

The correlation 8.33 is an older one and hence the values obtained from the more recent correlation (8.38 (a)) has to be taken as more reliable.

Example 8.15: Water at 30°C flows across a pipe 10 cm OD at 50°C with a velocity of 0.6 m/s. Determine the value of convection coefficient using applicable correlations.

	$v, m^2/s$	Pr	$k, W/mK$	$\rho, kg/m^3$
$T_\infty, 30^\circ C$	0.8315×10^{-6}	5.68	0.6129	997.5
$T_f, 40^\circ C$	0.657×10^{-6}	4.34	0.628	995
$T_w, 50^\circ C$	0.5675×10^{-6}	3.68	0.63965	990

Solution: Equation (8.33): Properties at T_f

$$Re = 0.1 \times 0.6 / 0.657 \times 10^{-6} = 91,324, (9.13 \times 10^4)$$

$$Nu = C. Re^m Pr^{0.333}$$

From tables $C = 0.0266, m = 0.805$

$$\therefore Nu = 427.22 \quad \therefore h = \frac{Nu k}{D} = 2683 \text{ W/m}^2\text{K}$$

Equation (8.34): properties at free stream temperature, T_∞

$$Re = 0.1 \times 0.6 / 0.8315 \times 10^{-6} = 72159$$

$$\begin{aligned} Nu &= C Re^m Pr^n (Pr_f / Pr_w)^{0.25} \\ &= 0.26 (72159)^{0.6} (5.68)^{0.37} (5.68 / 3.68)^{0.25} \\ &= 453.1, h = 2777 \text{ W/m}^2\text{K} \end{aligned}$$

Equation (8.36): Properties at film temperature

$$Nu = [0.35 + 0.56 Re^{0.52}] Pr^{0.333}$$

$$Re < 10^5, \text{ so applicable}$$

$$\begin{aligned} \therefore Nu &= [0.35 + 0.56 (91324)^{0.52}] [4.34]^{0.333} \\ &= 347.5, h = 2182 \text{ W/m}^2\text{K} \end{aligned}$$

Equation (8.35 (b)) (properties at free stream temp.)

$$Re = 72159 \text{ Applicable}$$

$$\begin{aligned} Nu &= 0.25 Re^{0.6} Pr^{0.38} (Pr_f / Pr_w)^{0.25} \\ &= 0.25 (72159)^{0.6} (5.68)^{0.38} \left(\frac{5.68}{3.68} \right)^{0.25} \\ &= 443.3 \quad \therefore h = 2717 \text{ W/m}^2\text{K} \end{aligned}$$

(note the similarity between equation (8.34) and this)

Equation (8.37) Properties at T_∞

$$Nu = (0.4 Re^{0.5} + 0.06 Re^{0.67}) Pr^{0.4} \left[\frac{\mu_\infty}{\mu_w} \right]^{0.25}$$

$$Re = 72159$$

$$Nu = 475.6 \quad \therefore h = 2915 \text{ W/m}^2\text{K}$$

Equation (8.38 (b)), Properties at film temperature:

$$Nu = 0.3 + \frac{0.62 Re^{0.5} Pr^{0.333}}{\left[1 + \left(\frac{0.4}{Pr}\right)^{0.67}\right]^{0.25}} \left[1 + \left(\frac{Re}{282000}\right)^{0.5}\right]$$

$$Re = 91324 \quad Pr = 4.34, \quad k = 0.628$$

$$Nu = 458.4 \quad \therefore \mathbf{h = 2877 \text{ W/m}^2\text{K}}$$

In this case also, the values by various correlations fall in a small band varying from 2181-2915 with fewer lower than 2700. For water and air, the correlations give less scatter.

Example 8.16: Air flows across an elliptical tube 0.1 m by 0.15 m perpendicular to the minor axis with a velocity of 2.4 m/s. Air is at 20°C and the tube surface is at 40°C. Determine the value of convection coefficient.

Solution: The properties are required at the film temperature *i.e.* 30°C

$$v = 16 \times 10^{-6} \text{ m}^2/\text{s}, \quad Pr = 0.701, \quad k = 0.02675$$

$$Re = 0.1 \times 2.4 / 16 \times 10^{-6} = 15000$$

$$Nu = C. Re^n, \text{ From tables } \mathbf{C = 0.224, n = 0.612}$$

$$\therefore Nu = 0.224 \times 15000^{0.612} = 80.54$$

$$\mathbf{h = \frac{80.54 \times 0.02675}{0.1} = 21.54 \text{ W/m}^2\text{K.}}$$

8.4 FLOW ACROSS SPHERES

There are a number of applications for flow over spheres in industrial processes. As in the case of flow across cylinders, the flow development has a great influence on heat transfer. Various correlations have been obtained from experimental measurements and these are listed in the following paras.

The following three relations are useful for air with $Pr = 0.71$ (1954)

$$Nu = 0.37 Re^{0.6} \quad 17 < Re < 7000 \quad \dots(8.41)$$

With Properties evaluated at film temperature.

The next correlation can be used for higher values of Re (1978)

$$Nu = 2 + [0.25 Re + 3 \times 10^{-4} Re^{1.6}]^{0.5} \quad \dots(8.42)$$

$$100 < Re < 3 \times 10^5$$

For still higher values (1978)

$$Nu = 430 + 5 \times 10^{-3} Re + 0.025 \times 10^{-9} Re^2 - 3.1 \times 10^{-17} Re^3 \quad \dots(8.43)$$

$$3 \times 10^5 < Re < 5 \times 10^6$$

The next correlation is **for liquids** (1946)

$$NuPr^{-0.3} = 0.97 + 0.68 Re^{0.5} \quad \dots(8.44)$$

$1 < Re < 2000$ with properties at T_f

For oils and water and for higher values of Re (1961)

$$NuPr^{-0.3} \left(\frac{\mu_w}{\mu_\infty}\right)^{0.25} = 1.2 + 0.53 Re^{0.54} \quad \dots(8.45)$$

$1 < Re < 200000$ with properties at T_∞

A more recent and a general equation is (1972)

$$Nu = 2 + (0.4 Re^{0.5} + 0.06 Re^{0.67}) Pr^{0.4} \left(\frac{\mu_w}{\mu_\infty} \right)^{0.25} \quad \dots(8.46)$$

$3.5 < Re < 8 \times 10^4$, $0.7 < Pr < 380$ and properties at T_∞

$$1 < \left(\frac{\mu_w}{\mu_\infty} \right) < 3.2$$

For a sphere falling in a fluid like quenching in hot bath,

$$Nu = 2 + 0.6 Re^{0.5} Pr^{0.333} [25 (x/D)]^{-0.7} \quad \dots(8.47)$$

For low values of **Pr (liquid metals)**

$$Nu = 2 + 0.386 (Re Pr)^{0.5} \quad \dots(8.48)$$

$3.56 \times 10^4 < Re < 1.525 \times 10^5$ with properties at film temperature.

These relations also provide values in the range of $\pm 25\%$.

Example 8.17: Air at 30°C flows over a sphere of 0.1 m dia with a velocity of 8 m/s . The solid surface is at 50°C . Determine the value of convection coefficient.

Solution: The property values are

	$^\circ\text{C}$	$\nu \times 10^6\text{ m}^2/\text{s}$	Pr	$k, \text{ W/mK}$	$\mu \times 10^6, \text{ kg/ms}$
T_∞	30	16	0.701	0.02675	18.63
T_f	40	16.96	0.699	0.02756	19.12
T_w	50	17.95	0.698	0.02820	19.61

At film temp.: $Re = 0.1 \times 8/16.96 \times 10^{-6} = 47170$

\therefore Equation (8.41) can be used

$$Nu = 0.37. Re^{0.6} = 235.72, \quad \therefore \mathbf{h = 64.96\text{ W/m}^2\text{K}}$$

Using eqn. (8.42)

$$Nu = 2 + (0.25 Re + 3 \times 10^{-4} Re^{1.6})^{0.5} = 146.25$$

$\therefore \mathbf{h = 40.3\text{ W/m}^2\text{K}}$

Another possible equation is (8.46) (properties at T_∞)

$$\begin{aligned} Nu &= 2 + (0.4 Re^{0.5} + 0.06 Re^{0.67}) Pr^{0.4} \left(\frac{\mu_\infty}{\mu_w} \right)^{0.25} \\ &= 2 + \left[0.4 \left[\frac{0.1 \times 8}{16 \times 10^{-6}} \right]^{0.5} + 0.06 \left[\frac{0.1 \times 8}{16 \times 10^{-6}} \right]^{0.67} \right] (0.701)^{0.4} \left[\frac{18.63}{19.61} \right]^{0.25} \\ &= 151.88 \end{aligned}$$

$\therefore \mathbf{h = 40.62\text{ W/m}^2\text{K}}$

The equation (8.46) being the latest correlation, it is safer to consider the value of $40.62\text{ W/m}^2\text{K}$ for convection coefficient.

Example 8.18: *Engine oil flows over a sphere of 4 cm dia with a velocity of 0.31 m/s. The oil is at 40°C and the ball is at 80°C. Determine the value of convection coefficient.*

Solution: Two possible correlations are 8.45 and 8.46.

Eqn. (8.45),

$$Nu Pr^{-0.3} \left(\frac{\mu_w}{\mu_\infty} \right)^{0.25} = 1.2 + 0.53 Re^{0.54}$$

with properties at T_∞

The property values are

	°C	$\nu, m^2/s$	Pr	$k, W/mK,$	$\rho \text{ kg}/m^3$
T_∞	40	241×10^{-6}	2870	0.1442	876
T_f	60	83×10^{-6}	1050	0.1407	864
T_w	80	37×10^{-6}	490	0.1384	852

$$Re = \frac{0.31 \times 0.04}{241 \times 10^{-6}} = 51.45 \quad \therefore \text{The equation (8.45) is valid}$$

$$Nu. (2870)^{-0.3} \left[\frac{37 \times 10^{-6} \times 852}{241 \times 10^{-6} \times 876} \right]^{0.25} = 1.2 + 0.53 \left[\frac{0.31 \times 0.04}{241 \times 10^{-6}} \right]^{0.54}$$

$$Nu \times 0.057 = 1.2 + 4.45 = 5.65$$

$$\therefore Nu = 99.07$$

$$\therefore \mathbf{h = 357.15 \text{ W/m}^2\text{K}}$$

The other correlation is given by equation (8.46)

$$Nu = 2 + (0.4 Re^{0.5} + 0.06 Re^{0.67}) Pr^{0.4} \left[\frac{\mu_\infty}{\mu_w} \right]^{0.25}$$

with properties at T_∞

$$\therefore Nu = 2 + 144.2 = 146.2$$

$$\therefore \mathbf{h = 527.12 \text{ W/m}^2\text{K}}$$

Here one of the conditions $\mu_\infty/\mu_w < 3.2$ is not satisfied and the ratio is about 6.5.

The other possible correlation is 8.44 with properties at T_f

$$\begin{aligned} Nu Pr^{-0.3} &= 0.97 + 0.68 Re^{0.5} \\ Nu \times 0.124 &= 0.97 + 0.68 (0.31 \times 0.04/83 \times 10^{-6})^{0.5} \\ &= 0.97 + 0.68 (149.4)^{0.5} \end{aligned}$$

$$Nu = 74.81 \quad \therefore \mathbf{h = 263.15 \text{ W/m}^2\text{K}}$$

Note that the scatter is a little more than 25% between 263.15 and 357.15.

Example 8.19: *Liquid sodium at 200°C flows over a sphere at 400°C, the diameter of the sphere being 4 cm. The velocity of flow is 0.8 m/s. Determine the value of convection coefficient.*

	$^{\circ}C$	$v, m^2/s$	Pr	$k, W/mK$	$\rho, kg/m^3$
T_{∞}	200	0.506×10^{-6}	0.0075	81.41	903
T_f	300	0.394×10^{-6}	0.0063	70.94	878
T_w	400	0.330×10^{-6}	0.0056	63.97	854

Considering properties at T_f

$$Re = 0.04 \times 0.8 / 0.394 \times 10^{-6} = 0.8122 \times 10^5$$

Solution: \therefore Equation (8.48) is applicable

$$Nu = 2 + 0.386 (Re Pr)^{0.5} = 10.73$$

$$\therefore \quad \mathbf{h = 19032 W/m^2K}$$

8.5 FLOW OVER BLUFF BODIES

Perpendicular to flat plate:

$$Nu = 0.2 Re^{2/3} \quad \dots(8.49(a))$$

$$St. Pr^{2/3} = 0.930 Re_L^{-0.5} \text{ for all angles of attack} \quad \dots(8.49(b))$$

$$1 < Re < 10^5 \text{ with properties at } T_f$$

For half cylinder with flat surface at the rear

$$Nu = 0.16 Re^{2/3} \quad \dots(8.50)$$

$$1 < Re < 10^5 \text{ with properties at } T_f.$$

8.5.1. Packed Beds: Definition of two terms are necessary in dealing with packed beds. These are

(i) Packing diameter $D_p = \frac{6V}{A}$ where V is the volume and A is the surface area.

(ii) Void fraction $\epsilon =$ the empty volume/total volume of bed. The equation to find the rate of heat flow from gas to the packing is

$$\frac{h_c D_p}{k} = \frac{1 - \epsilon}{\epsilon} [0.5 Re_{DP}^{0.5} + 0.2 Re_{DP}^{0.67}] Pr^{1/3} \quad \dots(8.51)$$

$$10 < Re_{DP} < 10^4 \quad 0.34 < \epsilon < 0.78$$

$$Re = \frac{D_p \cdot V_s}{v(1 - \epsilon)}, \text{ where } V_s \text{ is the fluid velocity if the bed is empty.}$$

For heat flow from wall to gas (for cylinders)

$$Nu_{DP} = 2.58 Re_{DP}^{0.33} Pr^{0.33} + 0.094 Re_{DP}^{0.8} Pr^{0.4} \quad \dots(8.52(a))$$

for spheres

$$Nu_{DP} = 0.208 Re_{DP}^{0.33} Pr^{0.33} + 0.220 Re_{DP}^{0.8} Pr^{0.4} \quad \dots(8.52(b))$$

$$40 < Re_{DP} < 2000 \quad \text{and} \quad Re_{DP} = \frac{u_{\infty} D_p}{v}$$

Examples are given under solved problems.

8.6 FLOW ACROSS BANK OF TUBES

In most heat exchangers in use, tube bundles are used with one fluid flowing across tube bundles. First it is necessary to define certain terms before discussing heat transfer calculations. Two types of tube arrangement are possible.

(i) in line and (ii) staggered. The distance between tube centres is known as pitch. The pitch along the flow is known as (S_n) and the pitch in the perpendicular direction is called (S_p). These are shown in Fig. 8.5.

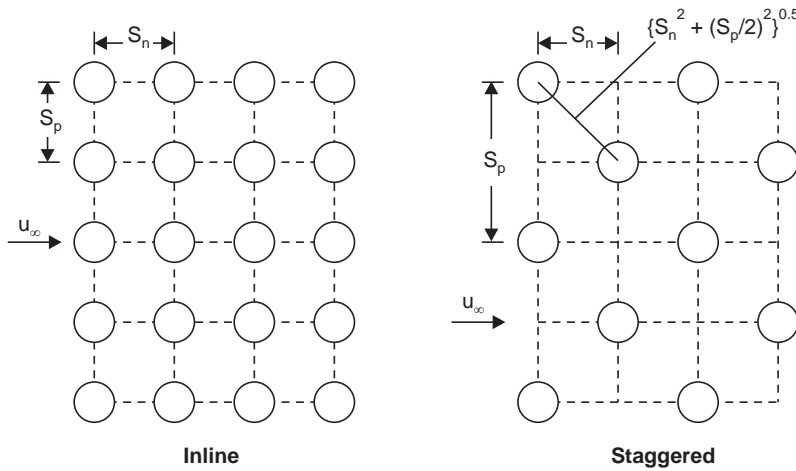


Fig. 8.5. Tube arrangements in tube banks.

Due to the obstruction caused by the tubes, the velocity near the tube increases and this increased value has to be used in the calculation of Reynolds number. In the case of in line the actual velocity near the tubes

$$V_{\max} = [S_p / (S_p - D)] u_{\infty} \quad \dots(8.53)$$

In the case of staggered arrangement the larger of the value given by 8.53 and 8.54 is to be used

$$V_{\max} = [S_p / 2 (S_D - D)] u_{\infty} \quad \dots(8.54)$$

where

$$S_D = \left[S_n^2 + \left(\frac{S_p}{2} \right)^2 \right]^{0.5} \quad \dots(8.55)$$

This is because of the larger obstruction possible in the staggered arrangement.

For number of rows of tubes of 10 or more

$$Nu = 1.33 C Re^n Pr^{0.33} \quad \dots(8.56)$$

$$N \geq 10, 2000 < Re < 40000$$

Reynolds number to be calculated based on V_{\max} . The property values should be at T_f . The value of C and n are tabulated below in Table 8.1. For larger values of S_p/D , tubes can be considered as individual tubes rather than tube bank.

Table 8.1. Values of constant and index for equation (8.56).

S_p/D	1.25 C	n	1.5 C	n	2.0 C	n	3.0 C	n
<i>In line</i>								
1.25	0.348	0.592	0.275	0.608	0.100	0.704	0.0633	0.752
1.5	0.367	0.586	0.250	0.620	0.101	0.702	0.0678	0.744
2.0	0.418	0.570	0.299	0.602	0.229	0.632	0.1980	0.648
3.0	0.290	0.601	0.357	0.584	0.374	0.581	0.2860	0.608
<i>Staggered</i>								
0.6	—	—	—	—	—	—	0.213	0.636
0.9	—	—	—	—	0.446	0.571	0.401	0.581
1.0	—	—	0.497	0.558	—	—	—	—
1.125	—	—	—	—	0.478	0.565	0.518	0.560
1.25	0.518	0.556	0.505	0.554	0.519	0.556	0.552	0.562
1.5	0.451	0.568	0.460	0.562	0.452	0.568	0.488	0.568
2.0	0.404	0.572	0.416	0.568	0.482	0.556	0.449	0.570
0.3	0.310	0.592	0.356	0.580	0.440	0.562	0.421	0.574

In case the number of tubes is less than 10 in depth, the value of convection coefficient should be multiplied by the fraction given in table below (Table 8.2).

Table 8.2. Correction factors for tube banks with rows less than 10 values of (h_N/h_{10})

N	1	2	3	4	5	6	7	8	9	10
In line	0.68	0.75	0.83	0.89	0.92	0.95	0.97	0.98	0.99	1.0
Staggered	0.64	0.30	0.87	0.90	0.92	0.94	0.96	0.98	0.99	1.0

The calculation may appear tedious, but such flows are very common in practical equipments and hence the importance.

If the number of rows in the flow direction is greater than 20, then the following correlation is applicable. This equation is found applicable for less than 20 rows deep also (up to 4)

$$Nu = C Re^m Pr^{0.36} \left[\frac{Pr_\infty}{Pr_w} \right]^{0.25} \dots(8.57)$$

$$N \geq 20, 0.7 < Pr < 500, 1000 < Re < 2 \times 10^6$$

Property values at T_∞ Re based on V_{max}

The values of C and m are tabulated below.

Conditions	C	m
Inline, $10^3 < Re < 2 \times 10^5$	0.27	0.63
Inline, $2 \times 10^5 < Re < 2 \times 10^6$	0.021	0.84
Staggered: $10^3 < Re < 2 \times 10^5$		
$S_p/S_n < 2$	$0.35 \left(\frac{S_p}{S_n} \right)^{0.2}$	0.60
$S_p/S_n > 2$	0.4	0.60
$2 \times 10^5 < Re < 10^6$	0.022	0.82

Liquid metals are now in use in heat exchangers.

The available correlation for tube bank is

$$Nu = 403 + 0.228 (Re)^{0.67} \quad \dots(8.58)$$

$$2000 < Re < 80000$$

For finned tubes correlations are more complicated but are available in hand books.

Example 8.20: 20 mm OD copper tubes are arranged in line at 30 mm pitch perpendicular to flow and 25 mm pitch along the flow. The entry velocity of air is 1 m/s, and the air temperature is 20°C. The tube wall is at 40°C. Determine the value of convection coefficient if the number of tubes along the flow is 6 (or Bank is 6 rows deep).

Solution:

$$S_p = 30 \text{ mm}, \quad D = 20 \text{ mm}, \quad S_p/D = 1.5$$

$$S_n = 25 \text{ mm}, \quad S_n/D = 1.25$$

From tables, $C = 0.367$, $n = 0.586$ (look carefully for S_p/D and S_n/D)

Property values at $T_f = 30^\circ\text{C}$ are

$$\nu = 16 \times 10^{-6} \text{ m}^2/\text{s}, \quad Pr = 0.701, \quad k = 0.02675 \text{ W/mK}$$

$$V_{\max} = [S_p/(S_p - D)] u_\infty = \frac{30}{10} \cdot 1 = 3 \text{ m/s}$$

$$\therefore Nu = 0.367 Re^{0.586}$$

$$Re = 3 \times 0.02/16 \times 10^{-6} = 3750 > 2000$$

Hence equation is applicable:

$$Nu = 45.61 \quad \therefore h = 61.0 \text{ W/m}^2\text{K}$$

But the bank is only 6 rows deep

$$\therefore h_6 = h_{10} \times 0.95 = 57.95 \text{ W/m}^2\text{K}$$

(Value 0.95 is read from tables 8.2).

Example 8.21: Work out the value of h for *staggered arrangement* using data of example 8.20.

Solution: From tables for $S_p/D = 1.5$ and $S_n/D = 1.25$

$$C = 0.451, \quad m = 0.568$$

$$V_{\max} = [S_p/2(S_p - D)] u_\infty = 3 \text{ m/s}$$

$$S_D = \left[S n^2 + \left(\frac{S_p}{2} \right)^2 \right]^{0.5} = [25^2 + 15^2]^{0.5} = 29.15$$

$$\therefore V_{\max} = [20/2 (29.15 - 20)] = 1.6385, \text{ lower}$$

$$\therefore 3 \text{ m/s is taken as from } [S_p/(S_p - D)] u_{\infty}$$

$$\therefore Nu = 0.451 (3750)^{0.568} = 48.33$$

$$\therefore \mathbf{h = 64.64 \text{ W/m}^2\text{K}}$$

For 6 rows: correction factor is 0.94

$$\mathbf{h_6 = 64.64 \times 0.94 = 60.76 \text{ W/m}^2\text{K}}$$

For increasing the value of h, S_p should be reduced.

SOLVED PROBLEMS

Problem 8.1: *The local Nusselt number in the case of rough plate was correlated to give*

$$Nu_x = 0.04 Re_x^{0.9} Pr^{1/3}.$$

Determine the average value upto a length L

Solution:
$$\frac{h_x x}{k} = 0.04 \left(\frac{u_{\infty}}{v} \right)^{0.9} x^{0.9} Pr^{1/3}$$

$$h_x = 0.04 k Pr^{1/3} \left(\frac{u_{\infty}}{v} \right)^{0.9} x^{-0.1}$$

to determine the average length upto L,

$$\begin{aligned} \bar{h} &= \frac{1}{L} \int_0^L h_x dx = \frac{1}{L} \times 0.04 k Pr^{1/3} \left(\frac{u_{\infty}}{v} \right)^{0.9} \int_0^L x^{-0.1} dx \\ &= \frac{0.04 k Pr^{1/3} (u_{\infty} / v)^{0.9}}{L} \cdot \left[\frac{x^{-0.1+1}}{-0.1+1} \right]_0^L \end{aligned}$$

or
$$h = \frac{0.04 k Pr^{1/3}}{L} \left(\frac{u_{\infty}}{v} \right)^{0.9} [L^{0.9} / 0.9] \text{ or}$$

$$\frac{hL}{k} = \frac{0.04}{0.9} Pr^{1/3} Re_L^{0.9}$$

$$\bar{Nu} = \frac{0.04}{0.9} Re_L^{0.9} Pr^{1/3} \text{ or } \bar{Nu} = \frac{1}{0.9} Nu_L$$

generally average will be $(1/n)$ times Nu_L where n is the index of x .

Problem 8.2: In testing a model, the following measurements were made

Average Nusselt No.	Reynolds number
355	80,000
424	100,000
587	150,000
739	200,000

Solution: The test is done using air at film temperature of 30°C. If the results can be correlated by an equation of the form $\bar{Nu} = C Re^m Pr^{1/3}$ determine C and m . For flow of air over a similar surface of length 6 cm at 70°C with a velocity of 40 m/s, determine the average value of convection coefficient. Air is at 110°C and 1 atm.

Two readings are sufficient to determine the two unknowns, namely C and m . However, a check can be made to determine the average values of C and m

$$\text{At } 30^\circ\text{C}, \quad Pr = 0.701 \text{ for air} \\ 355 = C (80,000)^m (0.701)^{0.333} \quad \dots(1)$$

$$424 = C (100,000)^m (0.701)^{0.333} \quad \dots(2)$$

$$587 = C (150,000)^m (0.701)^{0.333} \quad \dots(3)$$

$$739 = C (200,000)^m (0.701)^{0.333} \quad \dots(4)$$

Dividing these expressions one by the other and taking in and solving the **average value of $m = 0.8$** .

Substituting this value and finding C , the average is

$$C = 0.04777$$

$$\therefore \quad \bar{Nu} = 0.04777 Re^{0.8} Pr^{1/3}$$

$$\text{For the given data, } T_f = (70 + 100)/2 = 80^\circ\text{C}, u = 40 \text{ m/s}, L = 0.06 \text{ m} \\ v = 21.09 \times 10^{-6} \text{ m}^2/\text{s}, Pr = 0.692, k = 0.03047 \text{ W/mK}$$

$$\therefore \quad Re = 0.06 \times 40 / 21.09 \times 10^{-6} = 113,798$$

$$\therefore \quad \bar{Nu} = 0.04777 \times (113798)^{0.8} (0.692)^{0.333} = 468.56$$

$$\therefore \quad h = 468.56 \times 0.03047 / 0.06 = 237.95 \text{ W/m}^2\text{K}$$

Both Nu and Re lie between data 2 and 3 as a check.

Problem 8.3: In flow over a wedge, the local Nusselt number is given by

$$Nu_x = C. Re_x^{1/2} \text{ where}$$

$$Re_x = \left(\frac{Vx^m}{\nu} \cdot x \right) \text{ and}$$

$m = \beta/(2 - \beta)$. Where V is the approach velocity and $\pi\beta$ is the wedge angle. Determine the relation between average and local Nusselt number for a length L for $\beta = 0.2$, $\beta = 0.5$ and $\beta = 1.0$.

Solution:

$$h_x = \frac{k}{x} \cdot C \left(\frac{V}{\nu} \right)^{0.5} x^{(m/2)+0.5} = k \cdot C \left(\frac{V}{\nu} \right)^{0.5} x^{(0.5m-0.5)}$$

$$\bar{h} = \frac{1}{L} \int h_x dx = k \cdot C \left(\frac{V}{\nu} \right)^{0.5} \cdot \frac{1}{L} \cdot \int_0^L x^{0.5(m-1)} dx$$

$$= \frac{k \cdot C}{L} \cdot \left(\frac{V}{\nu} \right)^{0.5} \frac{1}{0.5(m+1)} \cdot L^{0.5(m-1)+1}$$

the general expression is:

$$\therefore \frac{\bar{h}L}{k} = \frac{C}{0.5(m+1)} \left(\frac{VL^m \cdot L}{\nu} \right)^{0.5}$$

As, $C Re_L^{0.5} = Nu_L \bar{Nu}_L = \frac{C}{0.5(m+1)} Re_L^{0.5} = \frac{1}{0.5(m+1)} Nu_L = \bar{Nu}_L$

For $\beta = 0.2$, $m = \frac{0.2}{1.8} \therefore \frac{1}{0.5(m+1)} = \frac{1}{0.5 \left(\frac{0.2}{1.8} + 1 \right)} = 1.8$

$$\therefore \bar{Nu} = 1.5 Nu_L$$

For $\beta = 0.5$, $m = \frac{0.5}{1.5} = \frac{1}{3}$, $\frac{1}{0.5(m+1)} = \frac{1}{0.5(4/3)} = \frac{3}{2}$

$$\bar{Nu} = 1.5 Nu_L$$

$\beta = 1.0$, $m = 1$, $\frac{1}{0.5(1+1)} = 1$

$$\therefore \bar{Nu} = Nu_L$$

Problem 8.4: A plate 5 m long at 470°C has air flowing over it with a velocity of 2.5 m/s. The air is at 30°C. Determine the heat to be supplied for every m length. Assume unit width.

Solution: The values to be determined are the heat transfer in the first, second and subsequent m lengths. This can be done by calculating the average heat transfer coefficient for 1 m, 2 m, 3 m, 4 m and 5 m lengths and then finding the heat transfer in each of the case and then taking the difference.

The film temperature = $(470 + 30)/2 = 250^\circ\text{C}$

The property values are: $\nu = 40.61 \times 10^{-6} \text{ m}^2/\text{s}$, $Pr = 0.677$, $k = 0.04268 \text{ W/mK}$

Distance, m	1	2	3	4	5
$Re \times 10^5$	0.615	1.231	1.847	2.462	3.078
Nu	144.06	204.58	250.56	289.32	323.47
\bar{h}	6.174	4.366	3.565	3.087	2.761

The flow is completely in the laminar region:

$$\therefore \bar{Nu} = 0.664 Re^{0.5} Pr^{0.33}. \text{ The values and } \bar{h} \text{ are tabulated above.}$$

The heat flow: (width 1 m) $Q = hA (T_w - T_\infty)$, $T_w = 470^\circ\text{C}$, $T_\infty = 30^\circ\text{C}$

L, m		Q, W	$\Delta Q, W$
1	$6.174 \times (470 - 30)$	$= 2716.6$	2716.6
2	$2 \times 4.366 \times (470 - 30)$	$= 3842.1$	1225.5
3	$3 \times 3.565 \times (470 - 30)$	$= 4705.8$	863.7
4	$4 \times 3.087 \times (470 - 30)$	$= 5433.1$	727.3
5	$5 \times 2.761 \times (470 - 30)$	$= 6074.2$	641.1

The heat transfer in the extended length decreases as it should.

Problem 8.5: A motor cycle travels at 100 kmph. On the engine head a fin of 0.16 m length and 0.04 m width is exposed to convection on both sides. The fin surface is at 300°C and air is at 20°C . Determine the rate of heat removal from the fin assuming turbulent flow prevails all through.

Solution: In this case it is assumed that due to disturbances turbulent flow starts even at low Reynolds numbers.

The film temperature $= (300 + 20)/2 = 160^\circ\text{C}$

The property values are $\nu = 30.09 \times 10^{-6} \text{ m}^2/\text{s}$, $Pr = 0.682$, $k = 0.0364 \text{ W/mK}$

$$\bar{Nu} = 0.037 Re_L^{0.8} Pr^{0.33}$$

$$\therefore \bar{Nu} = 0.037 ((100000/3600) \times 0.16/30.09 \times 10^{-6})^{0.8} (0.682)^{0.333}$$

$$= 444.95$$

$$\therefore \bar{h} = 101.23 \text{ W/m}^2\text{K}$$

$$\therefore \mathbf{Q} = hA \Delta T = 101.23 \times 0.16 \times 0.04 \times 2 \times (300 - 20) = \mathbf{362.8 \text{ W/fin}}$$

The Reynolds number is 1.477×10^5 \therefore **laminar flow region**. Under such **assumption**

$$\bar{Nu} = 0.664 Re^{0.5} Pr^{0.33} = 224.6, \quad \therefore \mathbf{h = 51.1 \text{ W/m}^2}$$

The heat transfer is only about 50% of that assuming turbulent conditions.

Problem 6: An aircraft travelling at 300 kmph has a wing span of 2 m and is at an altitude where the pressure is 0.7 bar and temperature is -10°C . The wing absorbs solar radiation at 800 W/m^2 . Determine the wing surface temperature under this condition.

Solution: This problem may be modelled as uniform heat flux model. The film temperature is not known. Assuming 0°C , the property values are

$$\nu = 13.28 \times 10^{-6} \text{ m}^2/\text{s}, Pr = 0.707, k = 0.02442 \text{ W/mK}$$

$$u_\infty = 300 \times 1000/3600 \text{ m/s}$$

As pressure is reduced to 0.7 bar, ν will increase by $1/0.7$, due to the change in density

$$\therefore Re_L = \left(\frac{300 \times 1000}{3600} \times \frac{2 \times 0.7}{13.26 \times 10^{-6}} \right) = 8.8 \times 10^6$$

This is in the turbulent region. (Fully turbulent condition is assumed as $L_{cr} = 0.11 \text{ m}$)

The local Nusselt number is calculated using

$$Nu_x = 0.0296 Re_x^{0.8} Pr^{0.33} = 9476$$

$$h_x = 115.7 \text{ W/m}^2\text{K}$$

For constant heat flux = $h_x = h_x \times 1.04 = 120.3 \text{ W/m}^2\text{K}$

ΔT at this location:

$$800 = 120.2 \times 1 \times \Delta T = 6.65^\circ\text{C}$$

\therefore Wing temp. = -3.35°C at the trailing edge.

The assumption of 0°C as T_f is in error. The new value can be now used and the results refined.

At a distance of 1 m from leading edge.

$Re = (8.8/2) \times 10^6$, fully turbulent condition is assumed.

$$Nu_x = 0.0296 Re_x^{0.8} Pr^{0.33} = 5442$$

$$h_x = 132.9 \text{ W/m}^2\text{K}$$

Constant heat flux

$$h_x = 1.04 \times 132.9 = 138.2 \text{ W/m}^2\text{K}$$

$\therefore \Delta T = 5.79^\circ\text{C}$ or $T = -4.21^\circ\text{C}$

The minimum wing surface temperature is -10°C and the maximum **about** -3.34°C .

Problem 8.7: A surface $1 \text{ m} \times 1 \text{ m}$ size has one half very rough and the other half smooth. The surface is at 100°C . Air at 72 kmph and 20°C flows over the surface. If the flow direction is reversed is there a possibility of change in the average value of convection coefficient? If initially the rough area is at the leading edge, determine the change in the value.

Solution: If the rough surface is at the leading edge, then the flow is turbulent all through. However, if the smooth surface is at the leading edge, turbulence will begin only at $Re = 5 \times 10^5$ or at the beginning of the rough surface. So, the convection coefficient will depend on the direction of flow.

The film temperature is $(100 + 20)/2 = 60^\circ\text{C}$

The property values are: $\nu = 18.97 \times 10^{-6} \text{ m}^2/\text{s}$, $Pr = 0.696$, $k = 0.02896 \text{ W/mK}$. Initially the rough surface is at the leading edge. So the flow is turbulent all through. $Re_x = 1.054 \times 10^6$ (calculated).

$$\begin{aligned} \therefore \bar{h} &= \frac{k}{L} 0.037 (Re_L)^{0.8} Pr^{0.333} \\ &= \frac{0.02896}{1} \times 0.037 \times \left(\frac{72000}{3600} \times 1 \times \frac{1}{18.97 \times 10^{-6}} \right)^{0.8} 0.696^{0.333} \\ &= 62.5 \text{ W/m}^2\text{K} \end{aligned}$$

When the smooth surface is at leading edge,

The Reynolds number at mid location

$$= \left(\frac{72000}{3600} \times \frac{0.5}{18.97 \times 10^{-6}} \right) = 5.27 \times 10^5$$

\therefore Turbulence starts even before the rough surface is met

$$\therefore \bar{h} = \frac{k}{L} (0.037 Re_L^{0.8} - 871) Pr^{0.33} = 40.15 \text{ W/m}^2\text{K}$$

A change of about 36%

It may so happen that rough surface may start even before the value of $Re = 5 \times 10^5$. In such a case the critical Reynolds number should be taken as the Reynolds number at the location where the rough area begins. Then the number 871 will be different. Equation (8.00) and (8.31) should be used in such a case

$$\begin{aligned} \text{i.e.} \quad \bar{Nu} &= Pr^{0.333} (0.37 Re_L^{0.8} - A) \text{ where} \\ A &= 0.037 Re_{cr}^{0.8} - 0.664 Re_{cr}^{0.5}. \end{aligned}$$

Problem 8.8: Wind blows at 20 kmph parallel to the wall of adjacent rooms. The first room extends to 10 m and the next one to 5 m. The wall is 3.2 m high. The room inside is at 20°C and the ambient air is at 40°C. The walls are 25 cm thick and the conductivity of the material is 1.2 W/mK. On the inside convection coefficient has a value of 6 W/m² K. Determine the heat gain through the walls of each room.

Solution: The film temperature is not known. But it has to be between 40°C and 20°C. A choice is made as 35°C.

The property values are: $v = 16.48 \times 10^{-6}$ m²/s, $Pr = 0.70$, $k = 0.02716$ W/mK

Reynolds numbers at 10 m and 15 m locations are:

$$10 \text{ m:} \quad Re = \left(10 \times \frac{20000}{3600} \times \frac{1}{16.48 \times 10^{-6}} \right) = 3.371 \times 10^6$$

$$15 \text{ m:} \quad Re = \left(15 \times \frac{20000}{3600} \times \frac{1}{16.48 \times 10^{-6}} \right) = 5.0566 \times 10^6$$

Average values of h are:

$$10 \text{ m:} \quad \mathbf{h} = \frac{k}{L} Pr^{0.33} (0.037 Re^{0.8} - 871) = \mathbf{12.783 \text{ W/m}^2\text{K}}$$

Similarly, for 15 m: $\bar{h} = 12.324 \text{ W/m}^2\text{K}$

\therefore Average for last 5 m = $(12.324 \times 15 - 12.783 \times 10)/5 = 11.406 \text{ W/m}^2\text{K}$

Heat gain in the first room

$$= \frac{A \Delta T}{\frac{1}{h_1} + \frac{L_1}{k_1} + \frac{1}{h_2}} = \frac{20 \times 3.2 \times 10}{\frac{1}{12.783} + \frac{0.25}{1.2} + \frac{1}{6}} = \mathbf{1412.1 \text{ W}}$$

Heat gain in the second room

$$= \frac{20 \times 3.2 \times 5}{\frac{1}{11.406} + \frac{0.25}{1.2} + \frac{1}{6}} = \mathbf{691.6 \text{ W}}$$

The surface temperature can now be found using the heat flow quantity at the surface.

$$10 \times 3.2 \times 12.783 (40 - T_s) = 1412.1 \quad \therefore \mathbf{T_s = 36.55^\circ\text{C}}$$

The value of T_f can now be refined and calculations repeated to obtain more accurate values.

Problem 8.9: Icebergs 1 km long by 0.8 km wide and 0.3 km thick at 0°C are proposed to be towed to arid regions for obtaining supply of fresh water. If the average water temperature is 10°C and if the iceberg is to travel at 1.2 km/hour, determine the thickness of ice melted per hour. The latent heat of ice is 334 kJ/kg. Assume that the iceberg is towed along the 1 km direction.

Solution: The temperature of the ice is taken as 0°C. So the film temperature = 5°C.

Properties of water are : (using 0°C and 20°C values)

$$\nu = (1.788 - 1.006) \times 0.75 + 1.006 \times 10^{-6} \text{ m}^2/\text{s}$$

$$Pr = (13.600 - 7.020) \times 0.75 + 7.020$$

$$k = (0.552 - 0.5978) \times 0.75 + 0.5978$$

$$\nu = 1.5925 \times 10^{-6} \text{ m}^2/\text{s}, Pr = 11.955, k = 0.56345 \text{ W/mK}$$

$$L = 1000 \text{ m}, u_\infty = 1.2 \times 1000/3600 = 0.333 \text{ m/s}, \text{ latent heat} = 3.34 \times 10^5 \text{ J/kg.}$$

$$\therefore Re_L = 0.2093 \times 10^9$$

\(\therefore\) A suitable correlation is

\(\therefore\) $St Pr^{2/3} = C_f/2$ can be used

$$C_{fL} = \frac{0.495}{(\log_{10} Re_L)^{2.584}} - \frac{1700}{Re_L} = 2.066 \times 10^{-3}$$

$$\frac{Nu}{Re Pr} \cdot Pr^{2/3} = 2.066 \times 10^{-3}/2$$

$$\therefore Nu = \frac{C_f}{2} \times Re \cdot Pr^{1/3} = 494478.6$$

$$\therefore \bar{h} = \frac{Nu \times k}{L} = \frac{494478.6}{1000} \times 0.56345 = 278.61 \text{ W/m}^2\text{K}$$

\(\therefore\) heat gain for each 1 m² = $h (\Delta T)$. Time

$$= 278.61 \times 10 \times 3600 = 10.03 \times 10^6 \text{ J/hr}$$

\(\therefore\) mass of ice melted = $10.03 \times 10^6/3.34 \times 10^5 = 30.03 \text{ kg/hr}$

The thickness melted = 30.03 mm/hr or 3 cm/hr.

Problem 8.10: Water flows over a flat plate having a uniform heat generation rate. The plate is 15 cm × 15 cm side. Water is at 20°C and the flow velocity is 3 m/s. Determine the heat that may be carried away by the water if the maximum temperature of the plate is not to exceed 80°C.

Solution: The property values can be evaluated at a mean temperature i.e. 50°C in this case to start with

Property values are :

$$\nu = (0.657 + 0.478) \times 10^{-6}/2 = 0.5675 \times 10^{-6} \text{ m}^2/\text{s}$$

$$Pr = (4.34 + 3.02)/2 = 3.68$$

$$k = (0.628 + 0.6513)/2 = 0.63956 \text{ W/mK}$$

$$Re = 3 \times 0.15/0.5675 \times 10^{-6} = 7.929 \times 10^5$$

∴ The flow is turbulent as $Re > 5 \times 10^5$

$$\therefore \bar{Nu} = (0.037 \cdot Re^{0.8} - 871) Pr^{0.33} = 1649$$

$$\therefore h = \frac{Nu \cdot k}{L} = \frac{1649 \times 0.63965}{0.15} = 7032 \text{ W/m}^2\text{K}$$

For constant heat flux : $h = 1.04 \times h$ (constant temp.)

$$= 7313.25 \text{ W/m}^2\text{K}$$

$$\therefore Q = h A \Delta T = 7313.25 \times 0.15 \times 0.15 \times 60 = 9873 \text{ W} = 9.873 \text{ kW}$$

This assumes an average value of h . But the maximum temperature is to be at edge. So the local Nusselt number should be used for better estimate.

$$Nu_x = 0.0296 Re_x^{0.8} Pr^{0.33} = 2395 \quad h_x = 10213$$

$$\therefore h \text{ (constant heat flux)} = 10621.6 \text{ W/m}^2\text{K}.$$

$$q_x = h \Delta T = 10601.6 \times 60 = 637295 \text{ W/m}^2$$

$$\therefore \text{Heat carried from plate} = A \cdot q = 14.34 \text{ kW}$$

There is a difference of 31%

As the heat generation at every location is the same this method may be used.

These calculations can serve only as a first estimate, and refinements are necessary to get at more accurate values.

Problem 8.11: Glycerine at 30°C flows past a 30 cm square flat plate at a velocity of 1.5 m/s. The drag force measured was 8.9 N. Determine the value of convection coefficient for such a system.

Solution: This problem has to use the analogy method. C_f can be calculated using the drag force. The film temperature is taken as 30°C.

$$\text{density} = 1258 \text{ kg/m}^3, \nu = 501 \times 10^{-6} \text{ m}^2/\text{s}, Pr = 5380, k = 0.2861 \text{ W/mK}$$

$$\text{Force on } 1 \text{ m}^2 = \frac{8.9}{0.3 \times 0.3} \text{ N}$$

$$C_f = \tau / \frac{\rho u_\infty^2}{2} = \frac{8.9}{0.3 \times 0.3} / \frac{1258 \times 1.5^2}{2} = 0.06987$$

$$St Pr^{2/3} = C_f/2 = 0.034935$$

$$Nu = (C_f/2) \times Re Pr^{1/3}, Re = 1.5 \times 0.3/501 \times 10^{-6}$$

$$\therefore Nu = 549.86 \quad \therefore h = \frac{Nu \cdot k}{L} = 524.4 \text{ W/m}^2\text{K}$$

Measurement of drag force is much easier compared to the measurement of heat flow. Hence the analogy method is very useful in estimating convection coefficients.

Problem 8.12: Helium at a pressure of 0.15 atm and 30°C flows over a flat plate at 70°C at a velocity of 50 m/s. The plate is 1 m long. Calculate the value of convection coefficient.

Solution: The film temperature is $(70 + 30)/2 = 50^\circ\text{C}$

$$\text{The property values are : density} = (0.178 + 0.130)/2 \text{ kg/m}^3$$

$$\nu = ((105 + 176)/2) \times 10^{-6} \text{ m}^2/\text{s}, Pr = (0.684 + 0.667)/2$$

$$k = (0.14304 + 0.1791)/2$$

As the pressure is not 1 atm., the value of

$$\mu = \nu\rho \text{ only remains constant } \therefore \nu_1\rho_1 = \nu_2\rho_2$$

$$\begin{aligned} \therefore \nu_2 &= \nu_1 \frac{\rho_1}{\rho_2} = \nu_1 \times \frac{P_1}{P_2} \text{ as temperature is constant} \\ &= 936.7 \times 10^{-6} \text{ m}^2/\text{s} \end{aligned}$$

$$\therefore Re = 50 \times 1/936.7 \times 10^{-6} = 0.53338 \times 10^5 \quad \therefore \text{laminar}$$

$$\therefore Nu = 0.664 Re^{0.5} Pr^{0.333} = 134.6$$

$$\therefore \mathbf{h = 21.68 W/m^2K}$$

Problem 8.13: Liquid ammonia at -20°C flows with a **velocity of 5 m/s** over a plate 0.45 m length at 20°C . Determine the value of average convection coefficient.

Solution: The film temperature is $(-20 + 20)/2 = 0^\circ\text{C}$

The property values are

$$\rho = 640 \text{ kg/m}^3, \nu = 0.373 \times 10^{-6} \text{ m}^2/\text{s}$$

$$Pr = 2.050, k = 0.5396 \text{ W/mK}$$

$$Re = 5 \times 0.45 / 0.373 \times 10^{-6} = 6.03 \times 10^6$$

Turbulent flow prevails.

$$\overline{Nu} = (0.037 Re^{0.8} - 871) Pr^{0.333} = 11381.7$$

$$\therefore \mathbf{h = 13648 W/m^2K}$$

The value is high as it is liquid flow at a high velocity.

Problem 8.14: Calculate the value of convection coefficient for flow of the following fluids at 10°C across a pipe 20 mm dia at 30°C , the flow velocity being 5 m/s

(a) Air (b) Water (c) engine oil (d) liquid ammonia.

Solution: (a) The property values for air are

$T^\circ\text{C}$	$\nu \times 10^6 \text{ m}^2/\text{s}$	Pr	$k, \text{ W/mK}$
10	14.16	0.705	0.02512
20	15.06	0.703	0.02593
30	16.0	0.701	0.02675

$$Re_D = 5 \times 0.02 / 15.06 \times 10^{-6} = 6640 \text{ (film temp.)}$$

Using $Nu_D = C Re^m Pr^{0.333}$ $C = 0.193, m = 0.618$

$$\therefore Nu_D = 0.193 \times 6640^{0.618} (0.0703)^{0.333} = 39.5$$

$$\therefore \mathbf{h = 51.22 W/m^2K}$$

(b) **Water**

$$20^\circ\text{C}, \nu = 1.006 \times 10^{-6} \text{ m}^2/\text{s}, Pr = 7.020, k = 0.5978 \text{ W/mK}$$

$$Re_D = 5 \times 0.02 / 1.006 \times 10^{-6} = 99403$$

Using $Nu_D = C Re^m Pr^{0.333}$, $C = 0.0266, m = 0.805$

$$\therefore Nu = 536.9 \quad \therefore \mathbf{h = 16048 W/m^2K}$$

(c) **Engine oil at 20°C**

$$\nu = 901 \times 10^{-6} \text{ m}^2/\text{s}, Pr = 10400, k = 0.1454 \text{ W/mK}$$

The Prandtl number value is very high. One suitable correlation can be

$$Nu = [0.35 + 0.56 Re^{0.52}] Pr^{0.333}$$

$$Re = 5 \times 0.02/901 \times 10^{-6} = 111$$

$$\therefore Nu = 149.14 \quad \therefore h = 1084 \text{ W/m}^2\text{K}$$

If the general equation is used

$$C = 0.683, \quad m = 0.466$$

$$\therefore Nu = C Re^m \cdot Pr^{0.333} = 133.82$$

$$\therefore h = 972.9 \text{ W/m}^2 \text{ K}$$

(d) Liquid ammonia at 20°C

$$v = 0.358 \times 10^{-6} \text{ m}^2/\text{s}, \quad Pr = 2.02, \quad k = 0.521 \text{ W/mK}$$

$$Re = 5 \times 0.02/0.358 \times 10^{-6} = 2.79 \times 10^5$$

$$\text{Using } Nu = C Re^m Pr^{0.333}, \quad C = 0.0266, \quad m = 0.805$$

$$\therefore Nu = 814.3, \quad \therefore h = 21213 \text{ W/m}^2\text{K}$$

Note that for liquids higher value (of one or two orders of magnitude) of convection coefficient is obtained for the same velocity of flow.

Problem 8.15: A wire 0.5 mm dia is at 40°C in a cross flow of air at 20°C while dissipating 35 W/m. Determine the velocity of the air stream.

The convective heat transfer coefficient can be determined from the data.

$$\text{Solution:} \quad 35 = h \times \pi \times 0.0005 \times 1 \times (40 - 20)$$

$$\therefore h = 1114.08 \text{ W/m}^2\text{K}$$

$$Nu = C \cdot Re^m Pr^{0.333}$$

$$\frac{h \cdot D}{k} = C Re^m Pr^{0.333}$$

m and C are to be found. Properties are: at 30°C

$$v = 16 \times 10^{-6} \text{ m}^2/\text{s}, \quad Pr = 0.701, \quad k = 0.02675 \text{ W/mK}$$

$$Re = \frac{0.0005 \times u_\infty}{16 \times 10^{-6}}$$

$$\frac{h \cdot D}{k} = \frac{1114.08 \times 0.0005}{0.02675} = 20.82$$

For range of values of Re around 1000 – 2000, $C = 0.683$, $m = 0.466$ By trial

R.H.S.	Assumed Velocity	L.H.S.
20.82 (constant)	20 m/s	12.18
	40 m/s	16.8
	100 m/s	25.79
	80 m/s	23.25
	70 m/s	21.84
	65 m/s	21.10
	60 m/s	20.33
	63 m/s	20.80

∴ **The velocity is 63 m/s (nearest) $Re = 1968$**

Check by another equation

$$Nu = C Re^m Pr^n \left(\frac{Pr_\infty}{Pr_w} \right)^{0.25}$$

Properties at

$$T_\infty = 20^\circ\text{C}, K = 0.02593$$

$$u_\infty = 63 \text{ m/s} \quad \nu = 15.06 \times 10^{-6} \text{ m}^2/\text{s}$$

$$Pr_\infty = 0.703, Pr_w = 0.699$$

$$\therefore Re = \frac{63 \times 0.0005}{15.06 \times 10^{-6}} = \mathbf{2091.63}$$

From tables for this value of Re

$$\mathbf{C = 0.26, m = 0.6, n = 0.37}$$

$$Nu = 0.26 \times (2091.63)^{0.6} (0.703)^{0.37} \left(\frac{0.699}{0.703} \right)^{0.25} = 22.4$$

$$\therefore \mathbf{h = 1161 \text{ W/m}^2\text{K}}$$

$$Q = 36.5 \text{ W as against } 35 \text{ W}$$

∴ The estimate is acceptable.

Problem 8.16: Air at 20°C flows over a cylinder 10 cm dia at 60°C with a velocity of 10 m/s. Compare the value of convective heat transfer coefficient with a plate of length $\pi D/2$ with other parameters remaining the same.

Solution: The properties at $T_f = (20 + 60)/2 = 40^\circ\text{C}$ are

$$\nu = 16.96 \times 10^{-6} \text{ m}^2/\text{s} \quad Pr = 0.699, k = 0.02756 \text{ W/mK}$$

$$\text{Cylinder: } Re_D = 0.1 \times 10 / 16.96 \times 10^{-6} = 58962$$

$$\text{Using } Nu = C \cdot Re^m \cdot Pr^{0.333}, C = 0.0266, m = 0.805$$

$$\therefore Nu = 163.43 \quad \therefore \mathbf{h = 45.04 \text{ W/m}^2\text{K}}$$

Taking it as a plate: $L = \pi \times 0.1/2$

$$\therefore Re = (\pi \times 0.05) \times 10 / 16.96 \times 10^{-6} = 92617.7 \quad \therefore \text{Laminar}$$

$$\bar{Nu} = 0.664 Re^{0.5} Pr^{0.333} = 172.86 \quad \therefore \mathbf{h = 30.32 \text{ W/m}^2\text{K}}$$

The curved surface provides greater turbulence and higher convection coefficient.

Problem 8.17: Approximating a human body as a cylinder of 0.3 m dia and 1.75 m long, at surface temperature of 30°C exposed to winds at 15 kmph at 10°C , determine the rate of heat loss.

Solution: This problem may give an idea about the chilling in cold winds.

$$\text{The film temperature} = (30 + 10)/2 = 20^\circ\text{C}$$

$$\text{Property values are } \nu = 15.06 \times 10^{-6} \text{ m}^2/\text{s}$$

$$Pr = 0.703, k = 0.02593 \text{ W/mK}$$

$$Re = \frac{15000}{3600} \times 0.3 \times \frac{1}{15.06 \times 10^{-6}} = 83,001$$

Using the common equation

$$Nu = C Re^m Pr^{0.333}, C = 0.0266, m = 0.805$$

$$\therefore Nu = 215.64, \mathbf{h = 18.64 W/m^2K}$$

$$\therefore \mathbf{Q = 18.64 \times \pi \times 0.3 \times 1.75 (30 - 10) = 614.8 W},$$

rather high. Of course clothing reduces this loss to a very small value over larger fraction of the area.

$$\text{Also we can use } Nu = 0.25 Re^{0.5} Pr^{0.38} \text{ (for gases properties at } T_1) \\ = 195.5, \therefore \mathbf{h = 16.9 W/m^2K}$$

A difference of 8%.

Problem 8.18: *Carbon dioxide at 1 atm and 100°C flows across a pipe 0.2 m dia at 300°C with a velocity of 50 m/s. Determine the value of convection coefficient.*

Solution: The property values at the film temperature of 200°C are

$$v = 19.2 \times 10^{-6} \text{ m}^2/\text{s}, Pr = 0.715, k = 0.03094 \text{ W/mK}$$

$$Re = 60 \times 0.2/19.2 \times 10^{-6} = 5.2 \times 10^{-5}$$

The equation that can be used is

$$Nu = 0.25 Re^{0.5} Pr^{0.38} (10^3 < Re < 10^5) \\ = 592.4 \therefore \mathbf{h = 91.64 W/m^2K}$$

The other suitable equation is

$$Nu = C . Re^m Pr^{0.37} \left(\frac{Pr_{\infty}}{Pr_w} \right)^{0.25}$$

with data at T_{∞}

$$\text{Property values at } T_{\infty}, 100^{\circ}\text{C}, v = 12.6 \times 10^{-6} \text{ m}^2/\text{s}$$

$$Pr = 0.733, k = 0.02279 \text{ W/mK}$$

$$Re = 50 \times 0.2/12.6 \times 10^{-6} = 7.93 \times 10^5, Pr_w = 0.712$$

so values of $C = 0.076, m = 0.7 \therefore Nu = 920.0 \therefore \mathbf{h = 104.8 W/m^2K}$ about 12% change.

Problem 8.19: *A tube with 4 cm square cross section has air blown across it at 20 m/s. The air is at 30°C and the pipe surface is at 50°C. Determine the convective heat transfer coefficient when (i) the flow is along diagonal and (ii) the flow is perpendicular to a face.*

Solution: The film temperature is $(50 + 30)/2 = 40^{\circ}\text{C}$

The property values are:

$$v = 16.96 \times 10^{-6} \text{ m}^2/\text{s}, Pr = 0.699, k = 0.02756 \text{ W/mK}$$

(i) flow along diagonal

$$D = \sqrt{(0.04^2 \times 2)} = 0.0566 \text{ m}$$

$$\therefore Re = 20 \times 0.0566 / 16.96 \times 10^{-6} = 66708$$

$$\text{Using } Nu = C . Re^n, C = 0.222, n = 0.588$$

$$\therefore Nu = 152.40 \therefore \mathbf{h = 74.27 W/m^2K}$$

(ii) Perpendicular to face

$$Re = 20 \times 0.04/16.96 \times 10^{-6} = 47170$$

$$\text{Using } Nu = C Re^n, C = 0.092, n = 0.675$$

$$\therefore Nu = 131.4 \therefore \mathbf{h = 90.5 W/m^2 K}$$

Problem 8.20: A spherical chemical container of 4 m dia has a surface temperature of 15°C while the outside air is at 25°C. Determine the heat gain when a 20 kmph wind blows across it.

Solution: The film temperature is $(15 + 25)/2 = 20^\circ\text{C}$

The property values are:

$$v = 15.06 \times 10^{-6} \text{ m}^2/\text{s}, Pr = 0.703$$

$$k = 0.02593 \text{ W/mK}$$

$$Re = \frac{2000}{3600} \times 4 \frac{1}{15.06 \times 10^{-6}} = 1.4755 \times 10^6$$

suitable equation for this Reynolds number is

$$\begin{aligned} Nu &= 430 + 5 \times 10^{-3} Re + 0.025 \times 10^{-9} Re^2 - 3.1 \times 10^{-17} Re^3 \\ &= 7762.7 \quad \therefore \quad \mathbf{h = 50.94 \text{ W/m}^2\text{K}} \end{aligned}$$

$$\therefore \quad \mathbf{\text{heat gain} = 4 \pi \times \left(\frac{4}{2}\right)^2 \times 50.94 \times (25 - 15)\text{W} = 26.04 \text{ kW}}$$

Problem 8.21: In order to preheat air for a process from 50°C to 350°C packed bed of 10 cm dia pipe filled with spherical particles of 1 cm dia is used. The flow rate of air is 20 kg/hr. The pipe surface is at 400°C. Determine the height of bed required.

Solution: The film temperature at entry = $(50 + 400)/2 = 225^\circ\text{C}$

The film temperature at exit = $(350 + 400)/2 = 375^\circ\text{C}$

\therefore Average film temperature = $(225 + 375)/2 = 300^\circ\text{C}$

Taking the properties of air at this condition

$$v = 48.2 \times 10^{-6} \quad \rho = 0.615 \text{ kg/m}^3, Pr = 0.674,$$

$$k = 0.04605 \text{ W/mK}, c_p = 1047 \text{ J/kg K}$$

Eq. particle dia

$$= 6 \times \text{volume/surface area}$$

$$= 6 \times \frac{4}{3} \pi r^3 / 4 \pi r^2 = 2r = D = 0.01 \text{ m}$$

$$\therefore \quad \text{Superficial velocity} = \frac{20}{0.615} \times \frac{1}{\pi \times 0.05^2} \times \frac{1}{3600} \text{ m/s} = 1.15 \text{ m/s}$$

$$\therefore \quad Re_{DP} = uD/v = 238.6 \quad \text{Using eqn (8.52 (b)).}$$

$$Nu = 0.203 Re_{DP}^{1/3} Pr^{1/3} + 0.220 Re_{DP}^{0.8} Pr^{0.4}$$

$$= 16.1 \quad \therefore \quad \mathbf{h = 74.14 \text{ W/m}^2\text{K}}$$

$$\mathbf{Q} = 20 \times 1047 \times (350 - 50)/3600 \text{ W} = 1745 \text{ W}$$

Heat transfer is also equal to the pipe area $\times h \times \text{LMTD}$

$$\text{LMTD} = 154.2^\circ\text{C}$$

$$\pi DL \times h \times \Delta T = \pi \times 0.1 \times L \times 74.14 \times 154.2 \quad \therefore \quad \mathbf{L = 0.486 \text{ m.}}$$

Problem 8.22: Sodium potassium alloy (25% + 75%) flows across a nuclear fuel rod at 500°C. The temperature of the alloy is 300°C. The rod dia is 5 cm and the flow velocity is 6 m/s. Determine the value of convection coefficient.

Solution: At film temperature 400°C

$$v = 0.308 \times 10^{-6} \text{ m}^2/\text{s}, Pr = 0.0108, k = 22.10 \text{ W/mK}$$

$$\text{Reynolds no} = 6 \times 0.05 / 0.308 \times 10^{-6} = 9.74 \times 10^5$$

$$Re Pr = 10519 \text{ (properties at } T_f)$$

\therefore possible correlation is, 8.38 (a)

$$Nu = 0.3 + \frac{0.62 Re^{0.5} Pr^{0.333}}{\left[1 + \left(\frac{0.4}{Pr}\right)^{0.666}\right]^{0.25}} \left[1 + \left(\frac{Re}{282000}\right)^{0.625}\right]^{0.8} = 182.77$$

$$\therefore \quad \mathbf{h = 80785.6 \text{ W/m}^2 \text{ K}} \quad \text{(Liquid Metal)}$$

Problem 8.23: Dry air at 80°C blows over a copper sphere at 320°C at a velocity of 14 m/s. The diameter of the sphere is 25 mm. Determine the heat transfer rate at that instant.

Solution: The film temperature is 200°C. The property values are :

$$v = 34.85 \times 10^{-6} \text{ m}^2/\text{s}, Pr = 0.68, k = 0.03931 \text{ W/mK}$$

$$Re = 0.025 \times 14 / 34.85 \times 10^{-6} = 1 \times 10^4$$

The suitable equation is, 8.42

$$Nu = 2 + (0.25 Re + 3 \times 10^{-4} Re^{1.6})^{0.5} = 59.18$$

$$\therefore \quad \mathbf{h = 93.05 \text{ W/m}^2 \text{ K}}$$

$$\therefore \text{ heat transfer rate} = 4 \pi r^2 h \Delta T = 43.85 \text{ W}$$

$$\text{We can also use: } Nu = 0.37 \times Re^{0.6} = 93.17, \mathbf{h = 146.5 \text{ W/m}^2 \text{ K}}$$

This is an older correlation (1953) as compared to the previous (1978).

Problem 8.24: An incandescent bulb can be considered as a sphere of 0.05 m dia. The bulb surface is at 140°C. Air at 20°C flows over it with a velocity of 0.6 m/s. Determine the heat loss from the bulb surface.

Solution: The film temperature = (140 + 20)/2 = 80°C

The property values are:

$$v = 21.09 \times 10^{-6} \text{ m}^2/\text{s}, Pr = 0.692,$$

$$k = 0.03047 \text{ W/mK}$$

$$\therefore \quad Re = 0.6 \times 0.05 / 21.09 \times 10^{-6} = 1422.5$$

$$\text{Using} \quad \mathbf{Nu = 0.37 \times Re^{0.6} = 28.84, h = 17.58 \text{ W/m}^2 \text{ K}}$$

$$\text{Using} \quad Nu = 2 + (0.25 Re + 3 \times 10^4 Re^{1.6})^{0.5} = 21.72$$

Not very much different, $\mathbf{h = 13.24 \text{ W/m}^2 \text{ K}}$

$$\text{Heat loss} = h 4 \pi r^2 \Delta T = 16.56 \text{ W, for } h = 17.58 \text{ W/m}^2 \text{ K}$$

$$= 12.48 \text{ W for } h = 13.24 \text{ W/m}^2 \text{ K.}$$

Problem 8.25: Liquid sodium at 200°C flows over a sphere of 5 cm dia at a velocity of 1.2 m/s. The surface is at 400°C. Determine the rate of heat loss from the sphere.

Solution: The film temperature is (200 + 400)/2 = 300°C

The property values are

$$v = 0.394 \times 10^{-6} \text{ m}^2/\text{s}, Pr = 0.0063, k = 70.94 \text{ W/mK}$$

$$Re = 0.05 \times 1.2 / 0.394 \times 10^{-6} = 1.52 \times 10^5$$

The applicable equation is

$$Nu = 2 + 0.386 (Re Pr)^{0.5} = 13.96$$

$$\therefore \mathbf{h = 19800 \text{ W/m}^2\text{K}}$$

$$\therefore \mathbf{Q = 4\pi r^2 h \Delta T = 31102 \text{ W}}$$

This shows that liquid sodium can extract heat at a high rate and so is used in breeder reactors.

Problem 8.26: A bank of tubes consists of 10 mm tubes 100 numbers arranged in a square array of 15 mm pitch. The tube wall is at 40°C and air enters at 20°C with a velocity of 4 m/s. Determine the value of convection coefficient and the heat transferred to the air for 1 m length of tubes in the array.

Solution: The property values at T_∞ , T_f and T_w are

$T^\circ\text{C}$	$\rho, \text{ kg/m}^3$	$\nu \times 10^6, \text{ m}^2/\text{s}$	Pr	$k, \text{ W/mK}$	$C_p, \text{ J/kg K}$
20	1.205	15.06	0.703	0.02593	1005
30	1.165	16.00	0.707	0.02675	
40	1.128	16.96	0.699	0.02756	

$$V_{\max} = 4 \times \frac{15}{15 - 10} = 12 \text{ m/s}$$

Using properties at film temperature

$$Re = 12 \times 0.01 / 16 \times 10^{-6} = 7500$$

Using the tables for the constants in the equation:

$$Nu = 1.13 Pr^{0.33} C Re^n$$

$$S_n/D = 1.5 \text{ and } S_p/D = 1.5$$

$$C = 0.25, n = 0.62$$

$$\therefore Nu = 63.41 \quad \therefore \mathbf{h = 169.61 \text{ W/m}^2\text{K}}$$

No correction necessary as it is 10 rows deep.

Area for heat flow: $\pi \times 0.01 \times 100 \times 1 \text{ m}^2$

As the temperature of air varies along the flow, T cannot be taken as 20°C. But as $(T_{\infty 1} + T_{\infty 2})/2$

The heat transfer due to the temperature rise for the air is equated to the heat transfer by convection :

$$\text{mass flow} = 10 \times 0.05 \times 1 \times 4 \times 1.205 \text{ kg/s}$$

$$\begin{aligned} \therefore &= 169.61 \times \pi \times 0.01 \times 100 \left[40 - \frac{20 + T_{\infty 2}}{2} \right] \\ &= 10 \times 0.05 \times 1 \times 4 \times 1.205 \times 1005 (T_{\infty 2} - 20) \end{aligned}$$

$$15985.4 - T_{\infty 2} \times 266.42 = 726.615 T_{\infty 2} - 14532.3$$

$$\therefore \mathbf{T_{\infty 2} = 30.73^\circ\text{C}}$$

$$\begin{aligned} Q &= 169.61 \times \pi \times 0.01 \times 100 \left[40 - \frac{20 + 30.73}{2} \right] \\ &= \mathbf{7798 \text{ W or } 7.8 \text{ kW}} \end{aligned}$$

Using the other correlations with properties at T_∞

$$Nu = C Re^m Pr^{0.36} \left[\frac{Pr_\infty}{Pr_w} \right]^{0.25}$$

$$Re = 12 \times 0.01 / 15.06 \times 10^{-6} = 7968, C = 0.27, m = 0.63$$

$$\therefore Nu = 68.35 \quad \therefore h = 177.37 \text{ W/m}^2\text{K}$$

The variation is less than 10% and the previous value is as reliable as this value.

Problem 8.27: For the data in problem 8.26, assume that the pitch parallel to flow direction is reduced to 10 mm, determine the value of convection coefficient for staggered arrangement.

Solution: To find V_{\max}

$$\text{Check: } S_p - D < 2 \sqrt{((S_p/2)^2 + S_n^2)} - 2D$$

$$S_p - D = 15 - 10 = 5 \text{ mm,}$$

$$2 \sqrt{(S_p/2)^2 + S_n^2} - 2D = 2 \sqrt{7.5^2 + 10^2} - 20 = 25 - 20 = 5$$

These two are equal. So eitherway V_{\max} has the same value. The check is whether $2 \times S_p < (S_n - D)$. (see Fig. 8.5 for S_p). In that case the value of V_{\max} will increase as the flow area is reduced.

In the problem given, the value of V_{\max} is the same as in 8.26. But the values of C and n are different for staggered arrangement. These are : 0.497 and 0.558.

$$\therefore Nu = 0.497 (7500)^{0.558} 1.13 \times Pr^{0.333} \quad (\text{eqn. 8.56})$$

$$= 72.49 \quad \therefore h = 193.91 \text{ W/m}^2\text{K}$$

No correction as the bank is 10 rows deep

This is as compared to 169.61 W/m²K, an increase of 14.3 % due to staggered arrangement. This also gives a more compact heat exchanger. But the value of friction loss for the two arrangements should be calculated before adopting the compact arrangement.

Problem 8.28: Water flows over 20 mm tubes 6 rows deep inline arrangement with 40 mm square pitch. Water enters at 20°C and the tube wall is at 60°C. The velocity of water is 1.2 m/s at entry. Determine the value of convection coefficient.

Solution: The property values are:

T	$\nu \times 10^6$	Pr	k	C_p
20	1.006	7.020	0.5978	41.78
40	0.657	4.340	0.628	
60	0.478	3.020	0.6513	

$$V_{\max} = u_\infty \cdot \frac{40 - 20}{20} = 2.4 \text{ m/s}$$

Using property values at $T_f = 40^\circ\text{C}$

for $S_n/D = 2$ and $S_p/2 = 2$,
the values of C and n in the equation

$$Nu = 1.13 Pr^{0.333} \times C \cdot Re^n \text{ are } C = 0.229, n = 0.632$$

$$\therefore Nu = 500.32 \quad \therefore h_{10} = 15710 \text{ W/m}^2\text{K}$$

As the bank is 6 rows deep, this is corrected by 0.94 (see tables)

$$\therefore h_6 = 14768 \text{ W/m}^2\text{K}$$

Assuming $1 \text{ m} \times 1 \text{ m}$, the number of rows perpendicular to flow direction is $1/0.04 = 25$ rows. Total tubes = $25 \times 6 = 150$.

Using the relationship that the increase in the internal energy of water = heat convected, and also assuming water outlet temperature as $T_{\infty 2}$

$$1 \times 1 \times 1.2 \times 1000 \times 4178 (T_{\infty 2} - 20) = \pi \times 0.02 \times 150 \times 1 \times 14768 \times \left(60 - \frac{20 + T_{\infty 2}}{2}\right)$$

$$T_{\infty 2} = 21.1^\circ\text{C}$$

$$\therefore \text{Heat transfer} = 5491 \text{ kW}$$

Using the **other correlation**:

$$Nu = C Re^m Pr^{0.36} \left(\frac{Pr_{\infty}}{Pr_w}\right)^{0.25}$$

This uses properties at T_{∞}

$$\therefore Re = 2.4 \times 0.02 / 1.006 \times 10^{-6} = 47714$$

For this range of Reynolds number, $C = 0.27$, $m = 0.63$

$$\therefore Nu = 596 \quad h_{10} = 17811 \text{ W/m}^2\text{K}$$

$$h_6 = 16742 \text{ W/m}^2\text{K}$$

This provides **higher values, 13.4%**

It can be noted here that these constants and correlations predict values within $\pm 25\%$ only as compared to experimental results.

Problem 8.29: Using the data or problem 8.28 except that the bank is of staggered arrangement with the longitudinal pitch reduced to 18 mm, calculate the value of convection coefficient.

Solution: In this case, distance

$$P = (18^2 + 20^2)^{0.5} - D = 6.9 \text{ mm}$$

$$2P = 13.81 \text{ mm}$$

This is less than $(40 - 20) = 20$

$$\therefore V_{\max} = 1.2 \times \frac{40}{13.81} = 3.475 \text{ m/s}$$

$$Re = 3.475 \times 0.02 / 0.657 \times 10^{-6} = 105806, (1.05 \times 10^5)$$

Using the relation: $Nu = 1.13 \times (Pr)^{0.333} C Re^n$

In this arrangement, (2, 0.9) **C = 0.446, n = 0.571**

$$\therefore Nu = 608.0 \quad \therefore h_{10} = 19091 \text{ W/m}^2\text{K}$$

For 6 rows, **$h_6 = 17946 \text{ W/m}^2\text{K}$** as compared to 14768 in the inline arrangement (21.5% increase)

If the other correlation is used, with properties at T_∞

$$Re = 3.475 \times 0.02 / 1.006 \times 10^{-6} = 69085$$

$$C = 0.27, m = 0.63$$

$$Nu = C \cdot Re^m Pr^{0.36} \left(\frac{Pr_\infty}{Pr_w} \right)^{0.25}$$

$$= 752.38 \quad \therefore \quad h_{10} = 22489 \text{ W/m}^2\text{K}$$

$h_6 = 22140 \text{ W/m}^2\text{K}$ (about 18% more than the other correlation). For water flow this may be better

Problem 8.30: Hot air is used to heat up rocks in a container 1 m dia and 2 m long. The rocks are approximately spherical with a diameter of 30 mm. The bed has void space of 42%. The rock is at 20°C. The air is at 80°C and flows in the axial direction at a flow rate of 1 kg/s. Calculate the value of convection coefficient.

Solution: The case is heat transfer from gas to fillings (as compared to wall to the gas discussed in problem no. 8.22)

$$\text{Reynolds} = \frac{D U_{BS}}{v(1-\epsilon)}$$

$$D = 6 \text{ V/surface area} = 6 \times \frac{4}{3} \pi r^3 / 4 \pi r^2 = 2r = D = 0.03 \text{ m}$$

$$U_{BS} = \text{superficial velocity based on the area of empty container}$$

$$= 1 \times \text{sp vol} / (\pi \times 1^2 / 4) = 4/\pi = 1.273 \text{ m/s}$$

at 80°C, 1 atm, sp. vol.

$$= 1 \text{ m}^3/\text{kg}$$

The property values at $100/2 = 50^\circ\text{C}$, $v = 17.95 \times 10^{-6} \text{ m}^2/\text{s}$, $Pr = 0.698$

$$k = 0.02826 \text{ W/mK}$$

$$Re = 0.03 \times 1.273 / 17.95 \times 10^{-6} = 2128$$

$$\frac{h \cdot D}{k} = \frac{1-\epsilon}{\epsilon} [0.5 Re^{0.5} + 0.2 Re^{0.67}] Pr^{1/3}$$

$$= \frac{0.58}{0.42} [0.5 (2128)^{0.5} + 0.2 (2128)^{0.67}] (0.698)^{0.333} = 69.83$$

$$\therefore \quad h = 65.78 \text{ W/m}^2\text{K}$$

OBJECTIVE QUESTIONS

Choose the correct statement

- 8.1 In flow over a flat plate the convection coefficient
- Always increases along the flow
 - Decreases, increases and decreases
 - Increases upto critical Reynolds number and then decreases
 - Decreases upto critical Reynolds number and then increases.

- 8.2 In laminar flow over a flat plate,
(a) The thermal boundary layer and hydrodynamic boundary layers are of equal thickness
(b) The thermal boundary layer is thicker if the Prandtl number is greater than one
(c) The thermal boundary layer is thicker if the Prandtl number is less than one
(d) The thermal boundary layer is always thinner in the laminar region.
- 8.3 The friction factor in the laminar region is proportional to
(a) $Re^{0.5}$ (b) $Re^{0.2}$ (c) $Re^{-0.2}$ (d) $Re^{-0.5}$.
- 8.4 The boundary layer thickness in laminar flow is proportional to
(a) $Re^{0.2}$ (b) $Re^{0.5}$ (c) $Re^{-0.5}$ (d) $Re^{-0.2}$.
- 8.5 In laminar flow over a flat plate the convection coefficient is proportional to
(a) $x^{-0.5}$ (b) $x^{0.5}$ (c) $x^{-0.2}$ (d) x .
- 8.6 The boundary layer thickness in laminar flow over a flat plate, is proportional to
(a) x (b) $x^{0.5}$ (c) $x^{-0.5}$ (d) x^{-1} .
- 8.7 (a) higher the value of kinematic viscosity thinner will be the boundary layer
(b) Higher the Prandtl number lower will be the thickness of thermal boundary layer.
(c) The convective heat transfer coefficient will be lower in turbulent flow as compared to laminar flow
(d) The boundary layer will thicken as the free stream velocity increases.
- 8.8 In flow across a cylinder, the local Nusselt number will be highest at
(a) 90° from the stagnation point
(b) At the stagnation point
(c) At 80°C from stagnation point
(d) At 135°C from stagnation point.
- 8.9 In banks of tubes heat transfer will be highest
(a) In linear arrangement with square pitch
(b) Linear arrangement with lower longitudinal pitch
(c) Staggered arrangement with equal pitch
(d) Staggered arrangement with lower longitudinal pitch.

EXERCISE PROBLEMS

- 8.1 Nitrogen at 30°C flows over a plate maintained at 70°C with a free stream velocity of 10 m/s.
(a) Determine the local and average values of convective heat transfer coefficient
(b) Also calculate the values of the boundary layer thickness (velocity, thermal) and momentum and displacement thicknesses at these locations.
(c) Determine also the location at which the flow turns turbulent, considering $Re_{cr} = 5 \times 10^5$.
- 8.2 Air at 20°C was heated by flow over a flat plate at 100°C , the flow velocity being 16 m/s. The plate is 1 m wide and 1.2 m long. Due to deterioration of performance of the fan and the heating medium, the plate temperature is reduced to 80°C while the flow velocity is reduced to 10 m/s. Determine the percentage reduction in heat flow.
- 8.3 It is desired to predict the performance of heat transfer in an equipment using liquid ammonia at a film temperature of -30°C upto a Reynolds number of 10^5 , using heat transfer studies on similar flat surface, with air as the test fluid. The maximum velocity of air is 10 m/s and the film temperature is 40°C . Determine the length of the plate to be used for the experiment.

- 8.4 A plate air heater 1 m wide and 2 m long at 120°C is designed to heat air at 20°C with a flow velocity of 8 m/s, with flow along 1 m direction. During fabrication, misunderstanding the instruction, the flow direction was fixed along the 2 m direction. Determine whether the heating rate will be lower or higher than the design value, and by what percentage.
- 8.5 Water at 20°C flows over a flat plate at 80°C with a velocity of 1.2 m/s. Determine the incremental heat transfer for every 0.2 m length after the leading edge upto a length of 1.2 m.
- 8.6 Air at 10 atm and 60°C flows over a plate at a velocity of 4 m/s, the plate temperature being 100°C. Determine at a location 0.5 m from the leading edge, the local and average values of convection coefficient. Also calculate the thermal boundary layer thickness at this location.
- 8.7 In a wind tunnel air flow is at 0.1 atm and 20°C. For heat transfer studies a plate 1 m length is kept at 80°C in the air stream. The flow velocity has a maximum value of 30 m/s. Determine the maximum Reynolds number at which observations can be made. Also calculate the heat input for the plate if it is 0.4 m wide. It is desired to modify the tunnel to operate at 0.8 atm and 40°C with the plate being at 80°C. Calculate the heat input if the maximum velocity is now reduced to 18 m/s.
- 8.8 A thin metal plate has hot air at 180°C flowing on one side at 20 m/s and cold air at 30°C flowing on the other side, both streams being parallel. Determine the heat flux at 0.4 m from the leading edge.
- 8.9 Air at 20°C flows over a flat plate at 60°C at a velocity of 60 m/s. Determine the value of average convection coefficient upto a Reynolds number of 10^7 (i) considering the laminar region (ii) considering that roughness causes turbulence even at the leading edge.
- 8.10 Air at 20°C flows over a flat plate with a velocity 10 m/s. The plate temperature is maintained at 60°C from a point 0.5 m from the leading edge. Determine the value of convection coefficient at a location 1 m from the leading edge.
- 8.11 A plate 40 cm square has a uniform heat generation rate of 8 kW/m². Water at 20°C flows over it with a velocity of 1.2 m/s. Determine the value of convection coefficient at the trailing edge and also the temperature at this location.
- 8.12 If air at 2 atm and 20°C flows over a plate 0.4 m square with a velocity of 8 m/s and if the plate has uniform heat generation of 8 kW/m², determine the temperature at the trailing edge. Also determine the value of convection coefficient at this location.
- 8.13 Air at 10°C flows **across** a road surface at 10°C with a speed of 25 kmph. The road surface is 10 m wide and rough enough to cause turbulence even at the leading edge. Determine the value of convection coefficient at the trailing edge and also the average convection coefficient. Calculate also the thickness of hydrodynamic boundary layer at the trailing edge.
- 8.14 Liquid sodium at 200°C flows over a plate at 400°C with velocity of 6 m/s. Determine the average value of convection coefficient if the plate is (i) 0.6 m long (ii) 2 m long.
- 8.15 Engine oil at 80°C is cooled by flow over a plate maintained at 20°C with water flow below it. The flow velocity is 0.66 m/s. Determine the heat absorbed by a plate 0.25 m × 0.25 m size.
- 8.16 The value of local Nusselt number is given by the following equation

$$Nu_x = \frac{(C_{fx}/2) Re Pr}{1 + 12.8 \sqrt{C_{fx}/2} (Pr^{0.68} - 1)}$$

Where $C_{fx} = 0.059 Re_x^{-0.2}$ and $Re = \frac{u_\infty x}{\nu}$ and

$$Nu_x = \frac{u_\infty x}{k}$$

Derive an expression for the average value of h .

- 8.17 A surface well insulated at the bottom absorbs heat at 650 W/m² on the top face. The top is exposed to air flow at 0.1 atm and -10°C, with a velocity of 300 kmph. If the plate is 3 m long in the direction of flow, determine the average plate temperature.

- 8.18 A truck travels at 130 kmph in air at 50°C and its surface is at 10°C. The truck may be approximated to a rectangular box of 3 m × 2 m × 6 m. Assuming that there is no flow separation and the flow is turbulent althrough, determine the heat loss from four surfaces. (neglect front and back). Also calculate the frictional drag.
- 8.19 Water at 20°C flows over a slab of ice at 0°C of size 1 m × 1 m with a velocity of 0.8 m/s. Determine the rate of thickness reduction of the ice (mm per min) if the latent heat of melting has a value of 3.34×10^5 J/kg. Density of ice = 900 kg/m³
- 8.20 A steam pipe of 0.4 m OD at 95° passes in air at 25° C over a distance of 15 m. Air flows across the tube at 5 kmph. Determine the heat loss through the exposed length of pipe.
- 8.21 A thermometer at 30°C having a cylindrical shape 8 mm dia is inserted into an air stream at 40°C flowing with a velocity of 25 m/s. Estimate the value of convective heat transfer coefficient over the bulb.
- 8.22 Investigate the variation of current carrying capacity of a fuse wire exposed to air flow, with the variation of velocity of flow across the wire. Assume dimensions and property values.
- 8.23 A fin of cylindrical shape 1 cm dia extending from a base at 100°C is exposed to air flow across it at 20°C with a velocity of 5 m/s. Determine the value of average heat transfer coefficient over the fin and the heat dissipated by the fin. The fin is 8 cm long.
- 8.24 An electrical heater rod 25 mm diameter is exposed to air at 20°C, the velocity of flow across it being 25 m/s. If the rod surface temperature is not to exceed 180°C, determine the capacity of heater rod, that can be used.
- 8.25 A nuclear fuel rod is to be cooled by using sodium potassium alloy (25% + 75%) at a temperature of 200°C, with a maximum velocity of 16 m/s. If the rod of 25 mm dia should have its surface maintained at temperatures not exceeding 400°C, determine the heat generation rate for m length of fuel rod.
- 8.26 Pipe carrying oil in the arctic region, has outside diameter of 0.8 m, a temperature of 60°C. If winds blow across it at 40 kmph and – 20°C, determine the heat loss per 1 m length of pipe.
- 8.27 Helium at 1 atm and 50°C flows across a 5 mm dia cylinder at 150°C, with a velocity of 9 m/s. Determine the heat transfer rate per 1 m length of pipe.
- 8.28 Air flows across a 4 cm square cylinder with a velocity of 10 m/s. The air is at 25°C while the surface is at 75°C. Determine the heat transfer rate if (i) flow is along the diagonal (ii) flow is along face (or perpendicular to face).
- 8.29 Air at 25°C flows across a 4 × 6 cm elliptical pipe at 75°C with a velocity of 10 m/s. Estimate the heat flow/m length if the flow is (i) across minor axis (ii) across major axis.
- 8.30 A chemical storage tank of spherical shape of 2 m dia has its surface maintained at 80°C by steam heating. Air at 20°C flows at 20 kmph across the tank. Determine the requirement of heating capacity.
- 8.31 Water flows across a sphere of 25 mm dia at 40°C with a velocity of 1.4 m/s. The sphere surface is at 80°C. Determine the heat loss rate from the sphere at the instant.
- 8.32 A nuclear element is in the form of sphere of 25 mm dia. Liquid sodium at 200°C is used to extract heat. A flow velocity of 12 m/s is used. If the surface temperature is not to exceed 400°C, determine the heat generation rate possible (per sphere and also per m³).
- 8.33 Heated steel balls of 15 mm dia at 260°C are quenched in water at 40°C by free fall. If the balls travel in the water at 8 m/s, determine the value of convection coefficient.
- 8.34 A bank of tubes consists of 20 mm dia tubes at 30 mm pitch in the linear and transverse directions and arranged in line. The surface temperature of the tubes is 60°C. Air at 20°C flows across the tubes at an entry velocity of 8 m/s. If the tube bank is 8 rows deep and 20 rows across and if the length of tubes is 1 m, determine the heat transferred to the air.
- 8.35 If the tube arrangement in the bank of problem 8.34 is changed to staggered arrangement with the logitudinal pitch changed to 18 mm, determine the heat transferred to the air.

- 8.36** Water is preheated in a tube bank with flue gases at 220°C flowing across the tubes at a velocity of 10 m/s . The tubes are 50 mm dia and are arranged staggered with a transverse pitch of 100 mm and longitudinal pitch of 45 mm . If the bank is 6 rows deep and the tubes are 2 m long and there are 20 rows across, determine the heat picked up by the water. Tube surface is at 30°C .
- 8.37** An airconditioning coil has 15 mm dia tubes arranged staggered with a transverse pitch of 30 mm and longitudinal pitch of 13.55 mm and is 4 rows deep. Determine the value of convective heat transfer coefficient. Air at 30°C enters the bank with a velocity of 10 m/s . The tube surface is at 10°C .
- 8.38** A packed bed is used to transfer heat from the vessel wall to the gas flowing through the bed. The bed is a pipe of 0.25 m dia and 0.8 m length filled with spherical filling of 8 mm dia. The tube wall is at 230°C . The gas enters at 30°C .
Determine the heat transfer from the surface to the gas. The rate of flow of air is 2 kg/s at 1 atm pressure.
- 8.39.** For solar heat storage in pebbles solar heated air at 70°C is passed through a bed of pebbles of average diameter of 12 mm . The pebbles are at 30°C . The flow velocity is (superficial) 8 m/s . The void fraction is 42% . Determine the value of convective heat transfer coefficient.

Answers to Objective Questions

- | | | | | | |
|--------|--------|--------|--------|--------|--------|
| 1. (b) | 2. (c) | 3. (d) | 4. (c) | 5. (a) | 6. (b) |
| 7. (b) | 8. (d) | 9. (d) | | | |

9

FORCED CONVECTION

9.0 INTERNAL FLOW

The internal flow configuration is the most convenient and popularly used geometry for heating or cooling of fluids in various thermal and chemical processes. There are basic differences in the development of boundary layer between the external flow geometry and internal flow geometry. In the case of internal flow, the fluid is confined by a surface, and the boundary layer after some distance cannot develop further. **This region is called entrance region.** The region beyond this point is known as **fully developed region.** Another important difference is that the flow does not change over at a location from laminar to turbulent conditions, but is **laminar or turbulent from the start**, depending upon the value of Reynolds number (based on diameter) being greater or less than about 2300.

A third difference is that in many cases there is no well defined free stream velocity as in the case of flow over a flat plate. So the mean velocity using the mass flow is to be adopted in place of u_∞ . The mean velocity u_m is defined by the following equation.

$$u_m = \frac{1}{A} \int_A u dA$$

The flow rate is defined by

$$G = \rho A u_m = \frac{\rho \pi D^2}{4} \cdot u_m$$

In the case of circular section,

$$A = \frac{\pi D^2}{4}.$$

Using these in the definition of Reynolds number leads, in the case of circular pipes, to the following additional expression for Reynolds number.

$$\mathbf{Re = 4G/\pi D\mu} \quad \dots(9.1)$$

Where G is the flow through pipe in kg/s.

This expression (9.1) may be often used in place of $u_m \rho D/\mu$ in the analysis.

A fourth difference is that as the fluid flows through the pipe, its mean temperature increases and there is no free stream temperature as such. The concept of free stream temperature has to give way to a new term called bulk mean temperature or **mixing cup temperature.** The **bulk mean temperature** at a location x along the pipe is the average temperature of the fluid if the fluid at the location is well mixed to attain a common temperature. The mean temperature is defined by :

$$T_m = \frac{1}{u_m A} \int_A uT \, dA.$$

Hence the convection correlations will be different in the case of internal flow. However the dimensionless parameters used are the same because the basic phenomenon does not change.

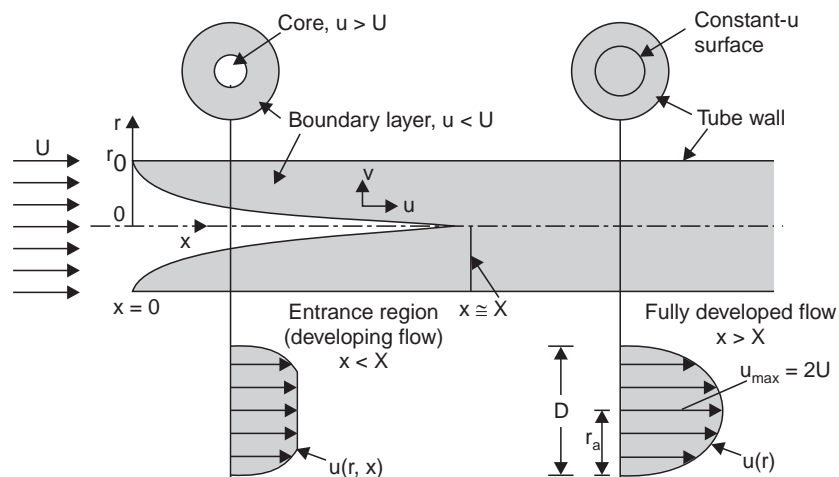
9.1 HYDRODYNAMIC BOUNDARY LAYER DEVELOPMENT

The development of hydrodynamic boundary layer in a pipe, together with velocity distributions at various sections for laminar and turbulent flows are shown in Figs. 9.1 (a) and 9.1 (b) (for isothermal flow). Refer solved problem 9.1 for the shape of the profile in laminar flow given by

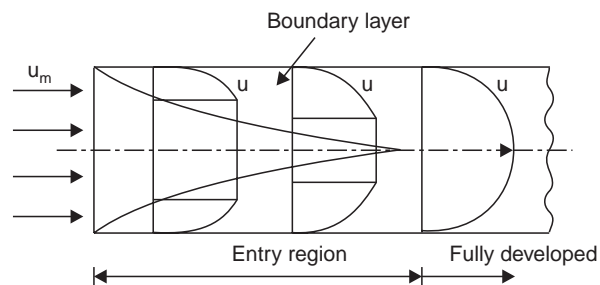
$$\frac{u_r}{u_{\max}} = 1 - \left(\frac{r}{R}\right)^2$$

where u_{\max} is the velocity at the centreline.

Also $u_{\max} = 2u_m$.



(a) Entrance region and fully developed flow region of laminar flow through a tube.



(b) Turbulent flow in a pipe.

Fig. 9.1

The velocity distribution beyond the entry region will remain invariant. But the actual distribution will be affected by the fluid property variation during heating or cooling. If heating or cooling causes reduction in the viscosity near the wall, the velocity profile flattens out as compared to isothermal flow. If viscosity increases, then the velocity near the wall will be reduced further and the velocity distribution will be more peaked. This is shown in Fig. 9.2 (a). Such distortion will affect the heat transfer correlations to some extent.

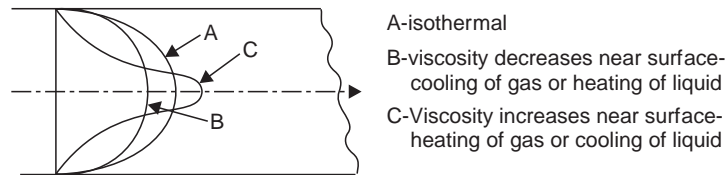


Fig. 9.2. (a) Distortion in velocity profile due to heating/cooling.

9.2 THERMAL BOUNDARY LAYER

The development of thermal boundary layer is somewhat similar to the development of velocity profile. As shown in Fig. 9.2 (b). The differences are:

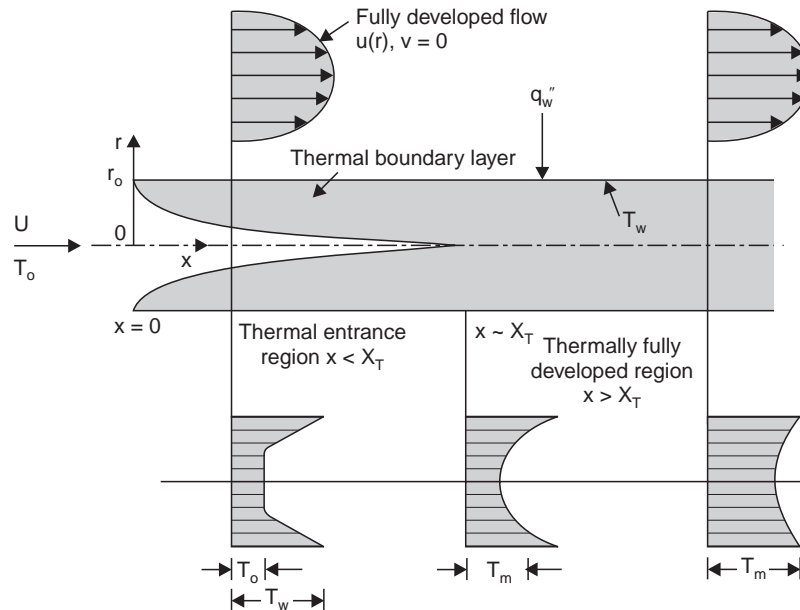


Fig. 9.2. (b) Thermal entrance region and the thermally fully developed region of fully developed flow through a tube.

(i) As the temperature increases continuously the direct plot of temperature will vary with x location. However the plot of dimensionless temperature ratio will provide a constant profile in the fully developed region. The bulk mean temperature T_m varies along the length as heat is added/removed along the length. The ratio $(T_w - T_r)/(T_w - T_m)$ remains constant along the x direction in the fully developed flow. T_r is the temperature at radius r and T_m is the bulk mean temperature.

(ii) The length of entry region will be different as compared to the velocity boundary development.

(iii) Boundary conditions are also different—constant wall temperature and constant heat flux.

(iv) The development of both boundary layers may be from entry or heating may start after the hydrodynamic boundary layer is fully developed.

These are in addition to the laminar and turbulent flow conditions.

Thus it is not possible to arrive at a limited number of correlations for convection coefficient.

In the case of internal flow, there are four different regions of flow namely (i) Laminar entry region (ii) Laminar fully developed flow (iii) Turbulent entry region and (iv) Turbulent fully developed region.

There are two possible boundary conditions in all the four regions listed, namely constant wall temperature or constant heat flux. As such 16 separate situations arise in this type of flow.

Another complicating factor is whether velocity and thermal boundary layers develop simultaneously or thermal boundary starts (heating) after velocity boundary layer has developed. As correlations are different for such different conditions, a large number of correlation have to be used.

Another factor is the fluid property values and their variation with temperature. Due to this liquid metals having very low value of Prandtl number require quite different correlations.

A third situation is non circular section of the flow duct, which again requires different correlations.

In the following articles the more popular correlations are discussed.

9.3 LAMINAR FLOW

Constant Wall Temperature: ($Re_d < 2300$) Reynolds number is defined as below:

$$Re = Du_m/\nu = 4G/\pi D\mu \quad \dots(9.2)$$

Friction factor f is defined as below

$$f = \frac{\Delta P}{\rho(L/D)(u_m^2/2)} \quad \dots(9.3)$$

where ΔP is the pressure drop in length L , the other terms defined as usual. This factor f (Darcy friction factor) is also equal to $4C_f$. Refer solved problem 9.2 for proof. Where C_f is

Fanning friction coefficient defined in Chapter 6 and 7 as $C_f = \tau_w/\frac{1}{2}\rho u^2$.

Refer solved problem 9.3 for proof.

$$\text{For laminar flow} \quad f = 64/Re \quad \dots(9.4)$$

The entry length depends on several factors. Varied correlations are available in literature. A fairly well accepted correlation is given by

$$\text{Hydrodynamic} \quad x/D = 0.04 Re \quad \dots(9.4 (a))$$

$$\text{Thermal} \quad (x_t/D) = 0.04 Re.Pr$$

9.3.1. Entry Region: For short lengths (x/D small), with hydrodynamic layer already developed: the average Nusselt number is (1943)

$$Nu = 1.67 [Re Pr / (x/D)]^{0.333} \quad \dots(9.5)$$

For $\left(\frac{x}{D}\right) / Re Pr < 0.01$, $Re Pr \frac{D}{x}$ is also termed as Graetz number Gz.

The property values are to be taken at $(T_{mi} + T_{mo})/2$ where T_{mi} and T_{mo} are bulk mean temperatures at entry and at exit. Iterative working may become necessary if the outlet temperature is not specified.

For longer tubes for length x, with hydrodynamic boundary layer already developed, the average value of convection coefficient is given by Hassen as (1943) (applicable for $Pr > 07$)

$$Nu = 3.66 + \frac{0.0668 (D/x) Re Pr}{1 + 0.04 [D/x] Re Pr} \quad \dots(9.6)$$

For $\frac{x}{D} / Re Pr < 0.01$

It is to be noted that for long tubes Nusselt number does not vary with length and is constant as given by equation (9.7) ($Nu \neq f(x)$)

$$Nu = 3.66 \quad \dots(9.7)$$

Equations (9.5) and (9.6) are applicable assuming velocity boundary layer is fully developed before heating begins. This assumption has practical use, as in the case of highly viscous fluids.

9.3.2. Both boundary layers simultaneously developing- constant wall temperature. For short lengths for liquid in tubes (1936)

$$Nu = 1.86 (Re Pr D/x)^{0.333} \left(\frac{\mu}{\mu_w}\right)^{0.14} \quad \dots(9.8)$$

for $(x/D) / Re Pr < 0.1$ and $0.5 < Pr < 16000$

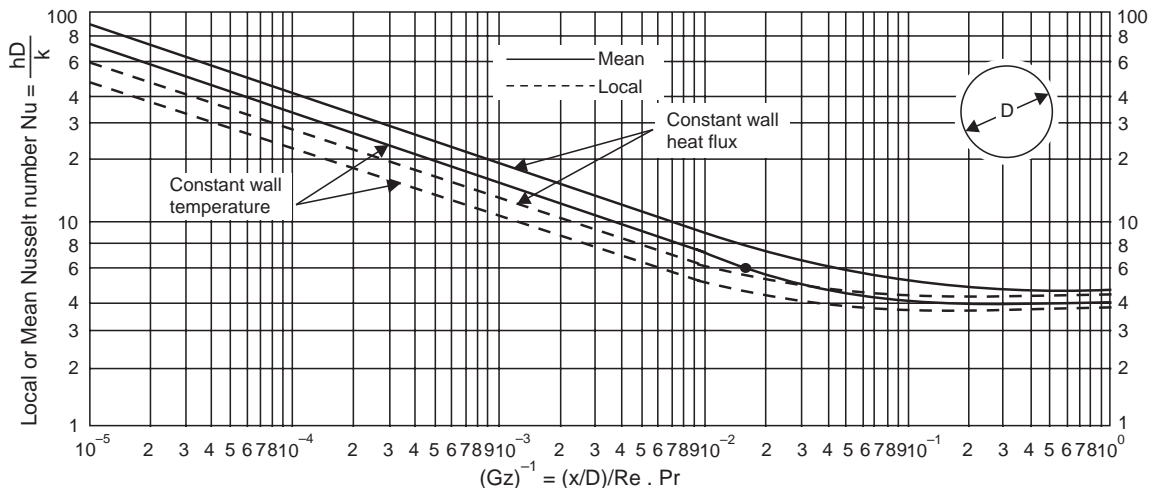


Fig. 9.3. Mean and local Nusselt numbers for thermally developing, hydrodynamically developed laminar flow inside a circular tube.

More generally given by Kays (1950)

$$Nu = 3.66 + \frac{0.104 (Re Pr D/x)}{1 + 0.16 (Re Pr D/x)^{0.8}} \quad \dots(9.9)$$

For $Pr > 0.6$

This also reduces for **long lengths** to

$$Nu = 3.66 \quad L \gg D \quad \dots(9.10)$$

The Nusselt number variation in the entry region for constant wall temperature and constant heat flux (with Hydrodynamic boundary layer already developed) is shown in Fig. 9.3.

9.3.3. For laminar, constant heat flux: The equation obtained for fully developed hydrodynamic flow is given below: (1956)

$$Nu = 1.30 \left[\frac{Re Pr}{(x/D)} \right]^{0.33} \quad \dots(9.11)$$

applicable for $(x/D)/Re Pr < 0.01$

For long lengths as in the other case **Nusselt number is independent of length and is a constant** given by equation (9.12).

$$Nu = 4.364 \quad \dots(9.12)$$

$$Pr > 0.6$$

The analogy between heat and momentum transfer also provides

$$St Pr^{0.67} = f/8 \quad \dots(9.13)$$

The values of f can be obtained from equation (9.4) for laminar region.

The Nusselt number variation in the entry region at constant wall temperature is shown in Fig. 9.4. (Both boundary layers developing simultaneously).

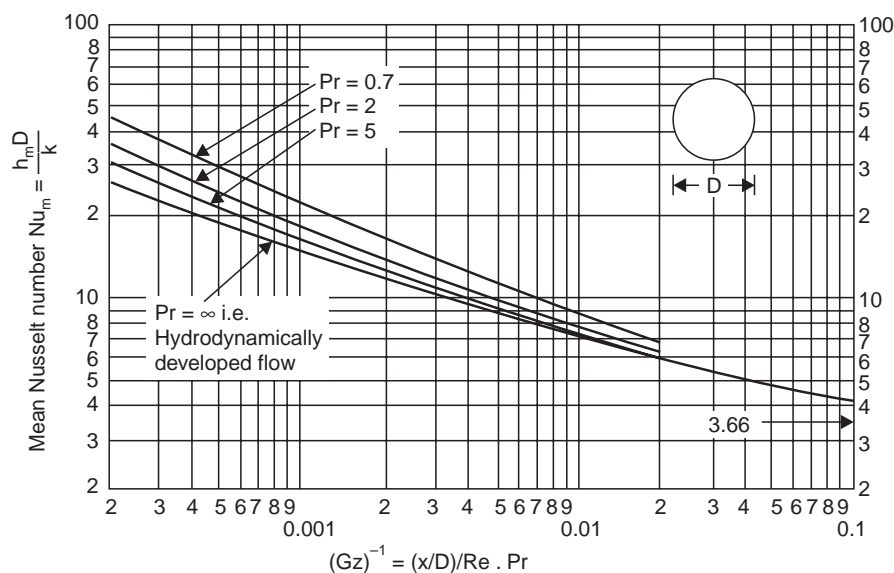
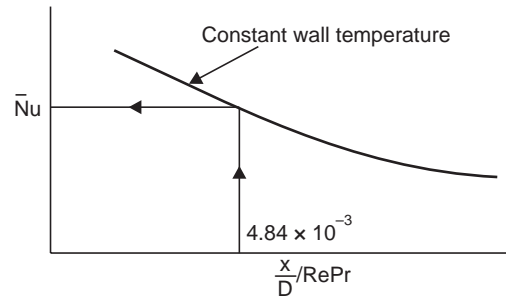


Fig. 9.4. Mean Nusselt numbers for simultaneously developing laminar flow inside a circular tube subjected to constant wall temperature.

Example 9.1: Water at a bulk mean temperature of 40°C flows through a tube of 0.05 m inner diameter with a velocity of 0.025 m/s . The tube is 2 m long and its surface is at a constant temperature of 60°C . Determine the heat transfer and the mean temperature rise during the flow. Assume hydrodynamic boundary layer already developed.

Solution: The properties of water at 40°C are



E. 9.1

$$\rho = 995\text{ kg/m}^3, \quad \nu = 0.657 \times 10^{-6}\text{ m}^2/\text{s},$$

$$Pr = 4.34, \quad C = 4178\text{ J/kg K}, \quad k = 0.628\text{ W/mK}.$$

$$Re = \frac{0.05 \times 0.025}{0.657 \times 10^{-6}} = \mathbf{1902.6} \text{ laminar flow}$$

$$\frac{x}{D} / Re Pr = \frac{2}{0.05} / (1902.6 \times 4.34) = 4.844 \times 10^{-3} < 0.01$$

Using the chart in Fig. 9.3 (schematically shown in E9.1) the value of \bar{Nu} is read as 9.

$$\bar{h} = \frac{9 \times 0.628}{0.05} = \mathbf{113.04\text{ W/m}^2\text{ K}}$$

$$\text{Heat transferred, } \mathbf{Q} = hA(T_S - T_M) \\ = 113.04 \times \pi \times 0.05 \times 2(60 - 40) = \mathbf{710\text{ W}}.$$

$$\text{Temperature rise} = \frac{Q}{mc}$$

$$m = \rho AV = 995 \times \pi \times \frac{0.05^2}{4} \times 0.025 = 0.04884\text{ kg/s}$$

$$\text{Temperature rise} = 710 / (0.04884 \times 4178) = \mathbf{3.48^\circ\text{C}}$$

$$\text{By equation (9.5), } Nu = 1.67 \left(Re Pr \frac{D}{x} \right)^{1/3} = 1.67 \left(1902.6 \times 4.34 \times \frac{0.05}{2} \right)^{1/3} = \mathbf{9.86}$$

$$\text{By equation (9.6), } Nu = 3.66 + \frac{0.668 \left(Re Pr \frac{D}{x} \right)}{1 + 0.04 \left(Re Pr \frac{D}{x} \right)^{0.67}} = \mathbf{9.35}$$

The values are close.

Example 9.2: Water at 30°C enters a pipe of 25 mm ID with a mean velocity of 0.06 m/s. The pipe surface temperature is 50°C. Determine the outlet temperature for lengths of (i) 1 m (ii) 4 m and (iii) 10 m. Assume hydrodynamic boundary layer fully developed.

Solution: As the bulk mean temperature is not known, property values at the entry temperature is first considered. At 30°C

$$\rho = 997.5 \text{ kg/m}^3, \nu = 0.8315 \times 10^{-6} \text{ m}^2/\text{s}, Pr = 5.68$$

$$c = 4178 \text{ J/kg K}, k = 0.6129 \text{ W/mK}.$$

Case (i) 1 m length

$$Re = \frac{u_m D}{\nu} = 0.06 \times 0.025 / 0.8315 \times 10^{-6} = 1804$$

∴ Flow is laminar.

$$\frac{x}{D} / Re Pr = \frac{1}{0.025} / (1804 \times 5.68) = 0.004 < 0.01.$$

Using the chart Fig. 9.3, the average value of Nu is read as 10.

$$\text{Using equation (9.5), } Nu = 1.67 \left(1804 \times 5.68 \times \frac{0.025}{1} \right)^{0.333} = 10.6.$$

$$\therefore h = 10.6 \times 0.6129 / 0.025 = 260 \text{ W/m}^2 \text{ K}.$$

As the temperature difference varies continuously, logarithmic mean temperature should be used in heat flow calculation.

Energy balance gives

$$Q = hA(LMTD) = mc(T_{mo} - T_{mi}) \quad \dots(a)$$

$$LMTD = \frac{(T_w - T_{mi}) - (T_w - T_{mo})}{\ln \frac{T_w - T_{mi}}{T_w - T_{mo}}} = \frac{T_{mo} - T_{mi}}{\ln \frac{T_w - T_{mi}}{T_w - T_{mo}}}$$

Substituting in a , and rearranging

$$\frac{T_w - T_{mi}}{T_w - T_{mo}} = e^{-\frac{hA}{mc}}, \quad m = \rho A_c V \quad \dots(b)$$

$$\frac{hA}{mc} = \frac{260 \times \pi \times 0.025 \times 1}{997.5 \times \frac{\pi \times 0.0025^2}{4} \times 0.06 \times 4178} = 0.1664$$

$$\therefore \frac{50 - 30}{50 - T_{mo}} = e^{-0.1664}$$

$$\text{Solving} \quad T_{mo} = 33.07^\circ\text{C}$$

Another trial with properties at $(30 + 33.07)/2$ will improve the result.

Case (ii) For 4 m length, with the properties as in case (i)

$$Re = 1804, \frac{x}{D} / Re Pr = \frac{4}{0.025} / (1804 \times 5.68) = 0.016.$$

From chart Fig. 9.3, at this value \bar{Nu} is read as 6. (Try by equation 9.6, $Nu = 6.27$)

$$\therefore \mathbf{h = \frac{6 \times 0.6129}{0.025} = 147.1 \text{ W/m}^2 \text{ K}}$$

From equation (b)

$$\frac{T_w - T_{mi}}{T_w - T_{mo}} = e^{-\frac{hA}{mc}}$$

For 4 m length $\frac{hA}{mc} = 0.3765$

$$\frac{50 - 30}{50 - T_{mo}} = e^{-0.3765}$$

Solving $\mathbf{T_m = 36.3^\circ\text{C}}$

Another trial will improve results.

Case (iii) 10 m length,

$$\frac{x}{D} / Re Pr = 0.04$$

Reading from chart Fig. 9.3, at this value,

$$Nu = 4.9 \quad \text{(By equation 9.6, } Nu = 4.91\text{).}$$

$$\therefore \mathbf{h = 120.13 \text{ W/m}^2 \text{ K.}}$$

Using equation (b)

$$\frac{50 - 30}{50 - T_{mo}} = e^{-\frac{hA}{mc}}, \frac{hA}{mc} = 0.7687.$$

$$\therefore \mathbf{T_{mo} = 40.72^\circ\text{C}}$$

Another trial with properties at 35°C will improve the results.

Example 9.3: Water at 30°C enters a pipe of 25 mm ID with a mean velocity of 0.06 m/s. The pipe surface temperature is maintained at 50°C . Assuming both boundary layers to be developing simultaneously, determine the exit temperature for lengths of (i) 1 m (ii) 4 m and (iii) 10 m.

Solution: As the **bulk mean temperature** is not known, property values are **taken** at entry condition of 30°C .

$$\rho = 997.5 \text{ kg/m}^3, \nu = 0.8315 \times 10^{-6} \text{ m}^2/\text{s}, Pr = 5.68, c = 4178 \text{ J/kg K,}$$

$$k = 0.6129 \text{ W/mK}, \mu = \rho\nu, \text{ At } 50^\circ\text{C}, \nu = 0.675 \times 10^{-6} \text{ m}^2/\text{s}, \rho = 990 \text{ kg/m}^3$$

$$Re = 0.06 \times 0.025 / 0.8315 \times 10^{-6} = 1804 \quad \therefore \text{ laminar flow.}$$

$$\frac{x}{D} / Re Pr = \frac{1}{0.025} / 1804 \times 5.68 = 0.004$$

From chart Fig. 9.4, for this value $\bar{Nu} = 9.8$

Using equation (9.8)

$$\begin{aligned}
 Nu &= 1.86 \left(Re Pr \frac{D}{x} \right)^{0.3} \left(\frac{\mu}{\mu_w} \right)^{0.14} \\
 &= 1.86 \left(\frac{1804 \times 5.68 \times 0.025}{1} \right)^{0.33} \left[\frac{997.5 \times 0.8315 \times 10^{-6}}{990 \times 0.675 \times 10^{-6}} \right]^{0.14} = 12.175
 \end{aligned}$$

Considering the chart value,

$$h = 9.8 \times 0.6129/0.025 = \mathbf{204.26 \text{ W/m}^2 \text{ K}}$$

Case (i) 1 m length, From equation (b) of example 9.2.

$$\begin{aligned}
 \frac{T_w - T_{mi}}{T_w - T_{mo}} &= e^{-\frac{hA}{mc}} \\
 \frac{hA}{mc} &= \frac{240.26 \times \pi \times 0.025 \times 1}{997.5 \times \pi \times \frac{0.025^2}{4} \times 0.06 \times 4178} = 0.15373
 \end{aligned}$$

$$\therefore \frac{50 - 30}{50 - T_{mo}} = e^{-0.15373} = 0.8575$$

$$\therefore T_{mo} = \mathbf{32.85^\circ\text{C}}$$

Another trial with properties at 31.5°C will refine the answer.

Case (ii) 4 m length

$$\frac{x}{D}/Re Pr = 0.016, \text{ From chart Fig. 9.4}$$

$$Nu = 6.2 \quad \therefore h = 6.2 \times 0.6129/0.025 = \mathbf{152 \text{ W/m}^2 \text{ K}}$$

$$hA/mc = 0.389, \frac{T_w - T_{mi}}{T_w - T_{mo}} = e^{-0.389} = 0.6778$$

$$\text{Solving: } T_{mo} = \mathbf{36.45^\circ\text{C}}$$

Another trial with properties at 33°C , will refine the answer.

Case (iii) Length 10 m.

$$\frac{x}{D}/Re Pr = 0.039$$

From chart Fig. 9.4, for this value,

$$\bar{Nu} = 5 \quad (\text{By equation 9.9, } Nu = 4.51)$$

$$h = 5 \times 0.6129/0.025 = \mathbf{122.6 \text{ W/m}^2 \text{ K}}$$

By equation (b) of example 9.2

$$\begin{aligned}
 \frac{T_w - T_{mi}}{T_w - T_{mo}} &= e^{-\frac{hA}{mc}} \\
 \frac{hA}{mc} &= 0.7845 \quad \therefore \frac{50 - 30}{50 - T_{mo}} = e^{-0.7845} = 0.4564.
 \end{aligned}$$

Solving: $\therefore T_{mo} = 40.87^\circ\text{C}$

It will be desirable to repeat the process with properties at 35°C .

$$\rho = 996.25, \nu = 0.74425 \times 10^{-6}, Pr = 5.01,$$

$$c = 4178 \text{ J/kg K}, 0.62105 \text{ W/mK.}$$

$$Re = 0.06 \times 0.025 / 0.74425 \times 10^{-6} = 2015 < 2300 \text{ laminar}$$

$$\frac{x}{D} / Re Pr = \frac{10}{0.025} / (2015 \times 5.01) = 0.03962$$

Corresponding to this value, from Fig. 9.4,

$$Nu = 5.$$

There is not much difference.

Example 9.4: Engine oil enters at 35°C into a tube of 10 mm D at the rate of 0.05 kg/s and is to be heated to 45°C . The tube wall is maintained at 100°C by condensing steam. Determine the length of the tube required.

Solution: Bulk mean temperature $= (T_{mi} + T_{mo})/2 = \frac{35 + 45}{2} = 40^\circ\text{C}$.

The property value from data book:

$$\rho = 876 \text{ kg/m}^3, c = 1964 \text{ J/kg K}, \mu = 0.210 \text{ Ns/m}^2, k = 0.144 \text{ W/mK},$$

$$Pr = 2870.$$

Using equation (9.1)

$$Re = \frac{4G}{\pi D \mu} = \frac{4 \times 0.05}{\pi \times 0.01 \times 0.210} = 30.32$$

\therefore Laminar.

Assuming long tube, $Nu = 3.66$.

$$\therefore h = \frac{3.66 \times 0.144}{0.01} = 52.7 \text{ W/m}^2 \text{ K}$$

Heat transferred: $mc \Delta T$

$$= 1966 \times 0.05 \times (45 - 35) = 983 \text{ W.}$$

The temperature varies as shown in figure.

$$\therefore LMTD = \frac{65 - 55}{\ln \frac{65}{55}} = 59.9^\circ\text{C}$$

$$\pi DL h(LMTD) = Q$$

$$\therefore L = \frac{Q}{\pi Dh(LMTD)} = \frac{983}{\pi \times 0.01 \times 52.7 \times 59.9} = 9.92 \text{ m}$$

Tube length required = 9.92 m say 10 m.



E. 9.4

Example 9.5: Water at a bulk mean temperature of 40°C flows in a tube of 0.05 m diameter with a velocity of 0.025 m/s . The tube length is 2 m . In the surface there is a uniform heat flux of 1500 W/m^2 .

Determine the heat transfer coefficient.

Solution: At the bulk mean temperature of 40°C , the property values are

$$\rho = 995\text{ kg/m}^3, \quad \nu = 0.657 \times 10^{-6}\text{ m}^2/\text{s},$$

$$c = 4178\text{ J/kg K}, \quad Pr = 4.34, \quad k = 0.628\text{ W/mK}.$$

$$\text{Reynolds number} = \frac{0.025 \times 0.05}{0.657 \times 10^{-6}} = 1902.6$$

\therefore Flow is laminar.

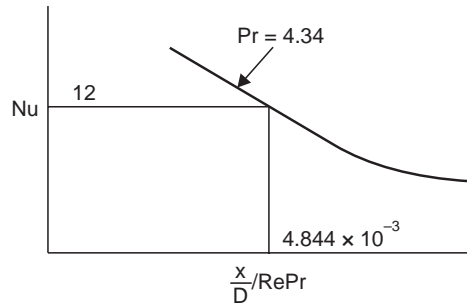


Fig. E. 9.5

$$\text{Check for } \frac{x}{D} / Re Pr = \frac{10}{0.025} / 1902.6 \times 4.34 = 4.844 \times 10^{-3} < 0.01$$

The values can be read from chart, Fig. 9.3. (shown schematically)

$$Nu = 12 \quad \therefore \quad h = \frac{12 \times 0.628}{0.05} = 150.72\text{ W/m}^2\text{ K}$$

$$\text{Heat transfer rate} = \dot{q}A = \dot{q}\pi DL = 1500 \times \pi \times 0.05 \times 2 = 471.24\text{ W}$$

$$\text{Average temperature difference} = \frac{Q}{hA} = \frac{471.24}{150.72 \times \pi \times 0.05 \times 2} = 9.95^\circ\text{C}$$

Example 9.6: Water at 10°C enters at the rate of 0.01 kg/s into a tube of 20 mm inner diameter. It is to be heated to 40°C . There is a uniform heat flux of 15 kW/m^2 over the surface. Determine the (i) Reynolds number (ii) length of pipe needed (iii) heat transfer coefficient (iv) Tube temperature at outlet (v) Friction factor and (vi) Pressure drop over the length.

(Assume fully developed flow.)

Solution: Bulk mean temperature = $(40 + 10)/2 = 25^\circ\text{C}$.

Property values at 25°C are

$$\rho = 997\text{ kg/m}^3, \quad c_p = 4180\text{ J/kg K}, \quad k = 0.608\text{ W/mK},$$

$$\mu = 910 \times 10^{-6}\text{ Ns/m}^2, \text{ using equation 9.1}$$

$$(i) \text{ Reynolds number} = \frac{4G}{\pi D\mu} = \frac{4 \times 0.01}{\pi \times 0.02 \times 910 \times 10^{-6}} = \mathbf{699.6}$$

\therefore **Laminar flow**

(ii) Length of pipe needed. Under uniform heat flux, the heat balance yields

$$\dot{q} \times \pi DL = m C_p (T_{mo} - T_{mi})$$

$$L = \frac{m C_p}{\pi \dot{q} D} (T_{mo} - T_{mi}) = \frac{0.01 \times 4180}{\pi \times 15000 \times 0.02} \times 30 = \mathbf{1.33 \text{ m.}}$$

(iii) Heat transfer coefficient: under fully developed condition, **Nu = 4.364**.

$$h = \frac{k}{D} Nu = \frac{0.608}{0.02} \times 4.364 = \mathbf{132.67 \text{ W/m}^2 \text{ K.}}$$

(iv) Tube surface temperature at exit:

$$T_{so} = \frac{q}{h} + T_{mo} = \frac{1500}{132.67} + 40 = \mathbf{153.1^\circ\text{C}}$$

(v) Friction factor:

$$f = \frac{64}{\text{Re}} = \frac{64}{699.6} = \mathbf{91.48 \times 10^{-3}}$$

(vi) Pressure drop:

$$\Delta P = \frac{\rho \cdot f Lu^2}{2g_e D}, \quad u = \frac{4m}{\rho\pi D^2}$$

$$\Delta P = \frac{997 \times 91.48 \times 10^{-3} \times 1.33}{2 \times 1 \times 0.02} \times \left(\frac{4 \times 0.01}{997 \times \pi \times 0.02^2} \right)^2 = \mathbf{3.09 \text{ N/m}^2}$$

Example 9.7: Water is to be heated at the rate of 0.01 kg/s from bulk temperature of 20°C to 60°C as it flows through a tube of 20 mm ID by means of electrical resistance heating at the rate of $15 \times 10^3 \text{ W/m}^2$. Calculate the length required. Also find the heat transfer coefficient.

Solution: Bulk mean temperature = $(60 + 20)/2 = 40^\circ\text{C}$

The property values are:

$$\rho = 995 \text{ kg/m}^3, \quad \nu = 0.657 \times 10^{-6} \text{ m}^2/\text{s}, \quad Pr = 4.34,$$

$$c = 4178 \text{ J/kg K}, \quad k = 0.628 \text{ W/mK}, \quad \mu = \rho\nu$$

Using equation (9.1),

$$\text{Re} = 4G/\pi D\mu = \frac{4 \times 0.01}{\pi \times 0.02 \times 995 \times 0.657 \times 10^{-6}} = \mathbf{974}$$

\therefore **Laminar.**

Constant heat flux condition: assuming fully developed flow

$$Nu = 4.364, \quad \therefore \quad h = \frac{4.364 \times 0.628}{0.02} = \mathbf{136.0 \text{ W/m}^2 \text{ K}}$$

Using energy balance,

$$\pi DL\dot{q} = mc \Delta T_m \quad \therefore \quad L = \frac{mc \Delta T_m}{\pi D\dot{q}}$$

$$L = \frac{0.01 \times 4178 \times (60 - 20)}{\pi \times 0.02 \times 15 \times 10^3} = \mathbf{1.773 \text{ m.}}$$

Example 9.8: A solar concentrator causes a heat flux of 2000 W/m^2 on tube of 60 mm ID . Pressurised water flows through the tube at a rate of 0.01 kg/s . If the bulk temperature at inlet is 20°C , what will be the length required to heat the water to a bulk temperature of 80°C . Also find the wall temperature at exit.

Solution: Bulk mean temperature = $(80 + 20)/2 = 50^\circ\text{C}$.

The property values are

$$\rho = 990, \nu = 0.5675 \times 10^{-6}, Pr = 3.68, k = 0.64 \text{ W/mK}, c = 4181 \text{ J/kg K.}$$

$$Re = \frac{4G}{\pi D\mu} = \frac{4 \times 0.01}{\pi \times 0.06 \times 990 \times 0.5675 \times 10^{-6}} = \mathbf{377.7}$$

\therefore Flow is laminar.

$$\pi DL\dot{q} = mc \Delta T_m, \quad \therefore \quad L = \frac{mc \Delta T_m}{\pi Dq}$$

$$L = \frac{0.01 \times 4181 \times (80 - 20)}{\pi \times 0.06 \times 2000} = \mathbf{6.65 \text{ m.}}$$

Assuming fully developed condition,

$$Nu = 4.364, \quad \therefore \quad h = \frac{4.364 \times 0.64}{0.06} = \mathbf{46.55 \text{ W/m}^2 \text{ K}}$$

To find the temperature at exit :

$$T_{50} = \frac{\dot{q}}{h} + T_{mo} = \frac{2000}{46.55} + 80 = \mathbf{122.97^\circ\text{C.}}$$

Example 9.9: Air at 20°C flows inside a pipe 18 mm ID having a uniform heat flux of 150 W/m^2 on the surface, the average flow velocity at entry being 1.0 m/s . The air pressure is 2 bar . Determine the value of convection coefficient. If the pipe is 2.5 m long, determine the air exit temperature and the wall temperature at the exit. Assume fully developed hydrodynamic boundary layer.

Solution: The exit temperature of air can be obtained using energy balance relationship

$$\text{Area} \times \text{heat flux} = \text{mass} \times \text{sp. heat} \times \text{temp. rise,}$$

$$(\text{mass flow} = \text{area} \times \text{velocity} \times \text{density})$$

$$\pi \times 0.018 \times 2.5 \times 150 = \frac{\pi \times 0.018^2}{4} \times 1.0 \times \frac{2 \times 10^5}{287 \times 293} \times 1005 \times \Delta T$$

$$\therefore \quad \Delta T = 34.86^\circ\text{C} \quad \therefore \quad T_{mo} = \mathbf{54.86^\circ\text{C}}$$

Note that the mass flow is calculated with the density at entrance.

Average bulk temperature = $(54.86 + 20)/2 = 37.43^\circ\text{C}$

The properties at this temperature and pressure of 2 bar are density = 2.275 kg/m^3 , $Pr = 0.7$, $c = 1005 \text{ J/kg K}$, $\mu = 18.994 \times 10^{-6} \text{ kg/ms}$, $k = 27.35 \times 10^{-3} \text{ W/mK}$,

$$\therefore \text{Re} = \frac{1.0 \times 2.275 \times 0.018}{18.994 \times 10^{-6}} = 2156 < 2300 \quad \therefore \text{flow is laminar}$$

Note that Re is determined using velocity at entrance

$$\frac{x}{D}/Re Pr = 0.092 > 0.01 \text{ So long pipe value is used.}$$

$$\therefore Nu = 4.364$$

From chart Fig. 9.3 $Nu = 5$.

$$\therefore h = \frac{5 \times 0.02735}{0.018} = 7.597 \text{ W/m}^2 \text{ K}$$

As $\dot{q} \cdot A = hA \Delta T$, cancelling A ,

$$150 = 7.597 \times \Delta T, \quad \therefore \Delta T = 19.74^\circ\text{C.}$$

Wall temperature at exit, $T_{so} = 54.86 + 19.74 = 74.6^\circ\text{C}$.

9.4 TURBULENT FLOW

The development of boundary layer is similar except that the **entry region** length is between **10 to 60 times the diameter**. The convective heat transfer coefficient has a higher value as compared to laminar flow.

The friction factor for smooth pipes is given by eqn. (9.14) for $Re > 10^4$

$$f = 0.184 Re^{-0.2} \quad \dots(9.14 (a))$$

$$f = [0.7 \ln Re - 1.64]^{-2} \quad \dots(9.14 (b))$$

$$f = 4[1.58 \ln Re - 3.28]^{-2} \quad \dots(9.14 (c))$$

For transition range

$$f = 0.316 Re^{-0.25} \quad \dots(9.15)$$

For rough pipes, the Moody chart can be used. Also for relative roughness of ϵ/D

$$f = \frac{1.325}{\left[\ln \frac{\epsilon}{3.7 D} + 5.74/Re^{0.9} \right]^2} \quad \dots(9.16)$$

The importance of the calculation of the friction factor in heat transfer is in the use of its value for the determination of convection coefficient by analogy.

The following two relations are useful for the entrance region.

$$\overline{Nu} = 0.036 Re^{0.8} Pr^{0.33} \left(\frac{D}{x} \right)^{0.055} \quad \dots(9.17)$$

$$\overline{Nu} = Nu \left[1 + \frac{C}{(x/D)} \right] \quad \dots(9.18)$$

$C = 1.4$ hydrodynamic layer developed

$C = 6$ hydrodynamic layer not developed

$x/D > 10$

Also $\overline{Nu} = Nu [1 + (D/x)^{0.7}]$... (9.19)
 $2 < x/D < 20$, In (9.18) and (9.19) Nu is calculated using (9.20).

In the equations (9.18) and (9.19), Nu is calculated for fully developed flow. The property values are to be at average bulk temperature.

The more popular correlation for fully developed flow in smooth tubes is due to **Dittus and Boelter (1930) (modified Colburn)**

$$Nu = 0.023 Re^{0.8} Pr^n \quad \dots(9.20)$$

$n = 0.3$ for cooling and 0.4 for heating of fluids.

A modified form when the property variation due to temperature change was large proposed by **Sieder and Tate (1936)** is

$$Nu = 0.027 Re^{0.8} Pr^{0.33} \left[\frac{\mu_m}{\mu_w} \right]^{0.14} \quad \dots(9.21)$$

$$0.7 < Pr < 16700, Re > 10^4, \frac{L}{D} > 60$$

A more recent correlation (1970) which fits experimental values more closely is given by (properties at film Temp., except μ)

$$Nu = \frac{(f/8) Re Pr}{1.07 + 12.7 (f/8)^{0.5} [Pr^{0.67} - 1]} \left[\frac{\mu_m}{\mu_w} \right]^n \quad \dots(9.22)$$

$n = 0.11$ for heating of fluids
 $n = 0.25$ for cooling of fluids
 $n = 0$ for constant heat flux

Also $\frac{\mu_m}{\mu_w}$ to be replaced by $\frac{T_w}{T_m}$ for gases, (temp. in K)

For Rough tubes

$$St. Pr^{0.67} = f/8 \quad \dots(9.23)$$

In the place of the constants 1.07 and 12.7 in the equation (9.22) more refined values are also available based on f and Pr .

In the choice of the equation to be used, there will be some ambiguity. But equation (9.22) is more recent and found to fit the experimental values more closely.

The correction factors $\left[\frac{\mu_m}{\mu_w} \right]^n$ for liquids or $\left[\frac{T_w}{T_m} \right]^n$ for gases is used to correct for large variation in properties.

Example 9.10: Air at 20°C flows through a tube 8 cm dia with a velocity of 9 m/s. The tube wall is at 80°C . Determine for a tube length of 5 m, the exit temperature of air.

Solution: For the first trial property value taken at 20°C . $\rho = 1.205$, $\nu = 15.06 \times 10^{-6} \text{ m}^2/\text{s}$, $Pr = 0.703$. $k = 0.02593 \text{ W/mK}$, $C_p = 1005 \text{ J/kg K}$, $\mu = 18.14 \times 10^{-6} \text{ kg/ms}$

$$Re = 9 \times 0.08 / 15.06 \times 10^{-6} = 47809$$

∴ flow is turbulent

Using equation (9.20) (heating, $n = 0.4$)

$$Nu = 0.023 Re^{0.8} Pr^{0.4} = 110.69, \quad \therefore \mathbf{h = 35.88 \text{ W/m}^2\text{K}}$$

The bulk temperature at exit can be found by energy balance.

As the temperature difference varies along the length $LMTD$ should be used in place of ΔT .

$$mc(T_{mo} - T_{mi}) = hA \cdot LMTD = hA \frac{(T_w - T_{mo}) - (T_w - T_{mi})}{\ln \frac{T_w - T_{mo}}{T_w - T_{mi}}}$$

This leads to the equation. (Ref. Example 9.1)

$$\frac{T_w - T_{mi}}{T_w - T_{mo}} = e^{+\frac{hA}{mc}} \quad \dots(A)$$

$$A = \pi DL, \quad m = \rho VA_c = 1.205 \times 9 \times \pi \times \frac{0.08^2}{4} = 0.05451 \text{ kg/s}$$

$$\frac{hA}{mc} = \frac{35.88 \times \pi \times 0.08 \times 5}{0.05451 \times 1005} = 0.823$$

$$\therefore \frac{80 - 20}{80 - T_{mo}} = e^{0.823}, \text{ Solving } \mathbf{T_{mo} = 53.65^\circ\text{C}}$$

The mean temperature = $(53.65 + 20)/2 = 36.825^\circ\text{C}$

Taking properties of 40°C and reworking.

$$T_{mo} = 35.47.$$

Using equation (9.22), with $f = [0.79 \ln Re - 1.64]^{-2} = 0.021736$

$$Nu = 87.91, \quad \mathbf{h = 30.28 \text{ W/m}^2\text{C}}$$

Using analogy, $St. Pr^{2/3} = \frac{f}{8}$, $Nu = 102.37$, $\mathbf{h = 35.27 \text{ W/m}^2\text{K}}$

The correlations yield in the case of air, value not for removed from each other.

Example 9.11: Air at 20°C flows through an 8 cm dia pipe with a velocity of 9 m/s, The pipe wall is at 80°C . The length of the pipe is 1 m. Determine the exit temperature of air.

Solution: $\frac{L}{D} = \frac{1}{0.08} = 12.5$. So it is better to use entry region correlations.

Considering properties at 20°C

$$\rho = 1.205 \text{ kg/m}^3, \quad \nu = 15.06 \times 10^{-6} \text{ m}^2/\text{s}, \quad Pr = 0.703,$$

$$k = 0.02593 \text{ W/mK}, \quad C_p = 1005 \text{ J/kg K}, \quad \mathbf{Re} = 9 \times 0.08/15.06 \times 10^{-6} = \mathbf{47809}.$$

Using equation (9.17)

$$Nu = 0.036 Re^{0.8} Pr^{0.33} (D/x)^{0.055}$$

$$= 154.37, \quad \therefore \mathbf{h = 50.04 \text{ W/m}^2\text{K}}$$

Using equation (9.19).

$$\bar{Nu} = Nu \left[1 + \left(\frac{D}{x} \right)^{0.7} \right], \text{ where } Nu = 0.023 Re^{0.8} Pr^{0.4} = 113.32$$

$$\therefore \bar{Nu} = 113.32 \left[1 + \left(\frac{0.08}{1} \right)^{0.7} \right] = 132.64$$

$$\therefore h = 42.99 \text{ W/m}^2\text{K}$$

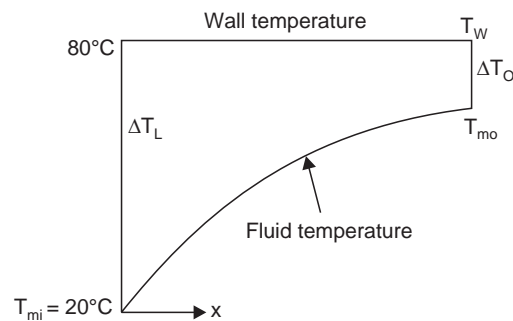
Using equation (9.18)

$$\bar{Nu} = Nu [1 + 6/(x/D)] = 113.32 [1 + 6/12.5] = 167.71$$

$$\therefore h = 54.36 \text{ W/m}^2\text{K}$$

Adopting the value of 50.04 W/m²K using the heat balance

The temperature variation is shown in figure. So *LMTD* should be used in place of ΔT .



E. 9.11. Fluid Temperature along the flow.

From problem example 9.10,

$$\frac{T_w - T_{mi}}{T_w - T_{mo}} = e^{-\frac{hA}{mc}} = \frac{80 - 20}{80 - T_{mo}} = e^{-0.1653}$$

as

$$\frac{hA}{mc} = \frac{50.04 \times \pi \times 0.08 \times 1}{1.205 \times \pi \times \frac{0.08^2}{4} \times 9 \times 1005} = 0.1653$$

Solving $T_{mo} = 29.1^\circ\text{C}$

9.5 LIQUID METAL FLOW

Liquid metals are characterised by low values of Prandtl number and higher values of conductivity. Liquid metals provide large values of convection coefficient and are used to extract heat in breeder type of nuclear reactors where the volume heat generation rate is very high. Constant heat flux situation is more common in these cases.

9.5.1. Liquid metals: The following three relations are applicable for **constant heat flux**. Properties are to be evaluated at average of bulk temperatures.

Entry region:

$$Nu = 3.0 Re^{0.0833} \quad Re Pr < 100 \quad \dots(9.24)$$

A simple relation, but with large deviations is given by

$$Nu = 0.625 (Re Pr)^{0.4} \quad \dots(9.25)$$

$$10^2 < Re Pr < 10^4, \frac{L}{D} > 60$$

More recent correlation now in use is

$$Nu = 4.82 + 0.0185 (Re Pr)^{0.827} \quad \dots(9.26)$$

$$10^2 < Re Pr < 10^4 \text{ and } 3.6 \times 10^3 < Re < 9.05 \times 10^8.$$

9.5.2. Liquid metals: For constant wall temperature the correlation is

$$Nu = 5 + 0.025 (Re Pr)^{0.8} \quad \dots(9.27)$$

$$Re Pr > 100, \frac{L}{D} > 60$$

These equations provide only an estimation. For more dependable and closer values, one has to go into literature.

Example 9.12: *Liquid sodium flows through a 5 cm dia pipe at a velocity of 4 m/s. The temperature of the fluid at entry is 300°C. If at the pipe wall the fluid is exposed to uniform heat flux, determine the value of convective heat transfer coefficient.*

Solution: The property values at 300°C are

$$\rho = 903 \text{ kg/m}^3, \nu = 0.506 \times 10^{-6} \text{ m}^2/\text{s}, Pr = 0.0075, k = 81.41 \text{ W/mK}, c = 1327.2 \text{ J/kg K}$$

$$Re = 0.05 \times 4 / 0.506 \times 10^{-6} = \mathbf{395257}$$

Using equation (9.26)

$$Nu = 4.82 + 0.0185 (Re Pr)^{0.827} = 18.58, \quad \therefore \mathbf{h = 30244 \text{ W/m}^2\text{K}}$$

Using equation (9.25)

$$Re = 0.625 (Re Pr)^{0.4} = 15.3 \quad \therefore \mathbf{h = 24904 \text{ W/m}^2\text{K}}$$

The values are quite different.

The heat flux value influences the value of convection coefficient only marginally. The wall temperature is decided by the heat flux value. Higher the heat flux, larger will be the temperature difference between the fluid and the surface.

Example 9.13: *Liquid sodium at 200°C is heated in a tube of 5 cm dia to 400°C with a uniform heat flux of 2500 kW/m². The flow rate is 9 kg/s. Determine the length of pipe required and also the mean temperature difference between the wall and fluid.*

Solution: The property value can be evaluated at $(200 + 400)/2 \times 300^\circ\text{C}$. The values are

$$\rho = 878 \text{ kg/m}^3, \quad \nu = 0.394 \times 10^{-6} \text{ m}^2/\text{s}, \quad Pr = 0.0063,$$

$$k = 70.94 \text{ W/mK}, \quad c = 1281.2 \text{ J/kg K}$$

The length required can be calculated using the energy balance.

$$\text{mass flow} \times \text{sp. heat} \times \text{temp. rise} = \text{Area} \times \text{heat flux}$$

$$9 \times 1281.2 \times 200 = \pi \times 0.05 \times L \times 2500000$$

$$\therefore \quad \mathbf{L = 5.873 \text{ m}}$$

To estimate the wall temperature, the value of convection coefficient is to be determined. (G-mass flux)

$$\begin{aligned} Re &= 4G/\pi D\mu = 4 \times 9/\pi \times 0.05 \times 0.394 \times 10^{-6} \times 878 \\ &= \mathbf{662509} \text{ (check using calculated velocity)} \end{aligned}$$

(as $\mu = \nu\rho, u = m/\rho A$)

Using equation (9.26),

$$Nu = 4.82 + 0.0185 (Re Pr)^{0.827} = 23.07$$

$$\therefore \mathbf{h = 32737 \text{ W/m}^2\text{K}}$$

The wall temperature can be determined by using energy balance.

$$h \times \pi DL \left(T_s - \frac{T_{mi} + T_{mo}}{2} \right) = q \pi DL,$$

$$\text{Substituting } 32737 \times \Delta T = 2500,000 \quad \therefore \mathbf{\Delta T(\text{average}) = 76.37^\circ\text{C.}}$$

Example 9.14: Liquid sodium potassium alloy (25 + 75) at 200°C is to be heated in a pipe of 0.020 m dia to 400°C at a rate of 0.5 kg/s the pipe wall being at 500°C. Determine the length of pipe required.

Solution: The property values are evaluated at $(200 + 400)/2 = 300^\circ\text{C}$

$$\rho = 799 \text{ kg/m}^3, \nu = 0.366 \times 10^{-6} \text{ m}^2/\text{s}, Pr = 0.0134, k = 22.68 \text{ W/mK}$$

$$c = 1038.3 \text{ J/kg K}$$

$$Re = 4m/\pi D\mu = 4m/\pi D\nu\rho = 4 \times 0.5/\pi \times 0.02 \times 0.336 \times 10^{-6} \times 799$$

$$= 118567, \quad \therefore \text{turbulent flow.}$$

Using equation (9.27),

$$Nu = 5 + 0.025 (Re Pr)^{0.8} = 14.095$$

$$\therefore \mathbf{h = 15983 \text{ W/m}^2\text{K}}$$

$$15983 \times \pi \times 0.02 \times L \left(500 - \frac{200 + 400}{2} \right) = 0.5 \times 1038.3 \times (400 - 200)$$

$$\therefore L = 0.52\text{m}, \quad \frac{L}{D} = 26,$$

This is shorter than the entry region $\frac{L}{D} = 60$. Hence this correlation may deviate from actual value. However, this is safe, as the value of h will be higher in the entry region and the length required may be even shorter.

9.6 FLOW THROUGH NON-CIRCULAR SECTIONS

For non circular sections, the value of Reynolds number should be calculated using hydraulic diameter D_h in place of D . The hydraulic diameter is defined as the ratio of four times the sectional area A to the wetted perimeter P .

$$D_h = 4 A/P \quad \dots(9.28)$$

For circular section $D_h = D$

Reynolds number should be calculated using the velocity and not the mass flow as flow does not depend on D_h .

In turbulent flow the correlations already mentioned in section 9.4 (equations 9.14 to 9.23) can be used with this value of D_h given by equation (9.28).

In the case of laminar flow, the values of Nusselt number for fully developed flow is shown in table 9.1. For short tubes of non circular sections correlations are more involved and are available in literature.

Table 9.1. Nu for fully developed laminar flow-noncircular sections

Shape	Constant wall temp.	Constant heat flux all over	$f. Re$
Square	2.98	3.09	56.41
Rectangle			
2:1	3.39	3.02	62.19
4:1	4.44	2.93	72.93
8:1	5.59	2.90	82.34
and Long Parallel Plates			
Triangle (60°)	2.47	1.89	53.13
Ellipse 0.9	3.66	4.35	74.80
Hexagon	3.34	3.86	60.22

A third type of boundary is also possible, and the same is uniform heat flux along length and uniform peripheral temperature at any location, but this is not considered here.

9.6.1. A special case of noncircular flow is through an annulus: A number of possible situations are there but one of important application is with outside surface adiabatic and inside surface with either constant heat flux or constant temperature.

$$D_h = D_o - D_i \quad \dots(9.29)$$

For laminar flow, fully developed, Nusselt number varies with D_i, D_o as shown below for constant wall temperature and constant heat flux (both inner tubes)

D_i, D_o	0.05	0.1	0.25	0.5	
Nu_T	17.46	11.56	7.37	5.74	Const. wall temp.
Nu_H	17.81	11.91	8.5	6.58	Const. heat flux

For turbulent flow the correlations of section 9.4 can be used with D replaced by D_h .

Example 9.15: *n-butyl alcohol flows through a square duct of 0.1 m side with a velocity of 30 mm/s. The duct is 4 m long. The walls are at constant temperature of 27°C. The bulk mean temperature is 20°C. Determine the heat transfer coefficient and friction factor.*

Solution: For a square the hydraulic diameter is the side length itself.

The property values at the bulk mean temperature are

$$\rho = 810 \text{ kg/m}^3, \mu = 29.5 \times 10^{-4} \text{ Ns/m}^2, Pr = 50.8, k = 0.167 \text{ W/mK.}$$

Reynolds number

$$Re = \frac{v D_h \rho}{\mu} = \frac{0.03 \times 0.1 \times 810}{29.5 \times 10^{-4}} = 823.7$$

From Table 9.1

$$\overline{Nu} \text{ for square duct} = 2.98$$

$$\therefore h = \frac{2.98 \times 0.167}{0.1} = 4.97 \text{ W/m}^2 \text{ K}$$

$$\text{From Table 9.1, } f. Re = 56.91, \therefore f = \frac{56.91}{823.7} = 69.09 \times 10^{-3}$$

Example 9.15: Water is cooled in the annular section of double pipe heat exchanger with inner tube containing evaporating refrigerant vapour at 5°C. The inner tube is 2.5 cm outer dia and the outer pipe is 5 cm inner dia. The average bulk temperature of water is 10°C. For the flow rates of water of (i) 0.055 kg/s (ii) 0.400 kg/s, determine the convection coefficient. The outside is insulated. Also calculate the same for flow of water in the inside of tube with refrigerant outside for circular section. Assume thin tube.

Solution: The property values are taken at 10°C

$$\rho = 1001 \text{ kg/m}^3, \quad \nu = 1.397 \times 10^{-6} \text{ m}^2/\text{s}, \quad Pr = 10.31, \quad k = 0.5751 \text{ W/mK}, \\ c = 4197 \text{ J/kg K}, \quad D_h = D_o - D_i = 0.025 \text{ m}, \quad D_i/D_o = 0.5$$

Case (i) Flow = 0.055 kg/s (const. wall temp.-evaporation)

Velocity of flow in the annulus

$$= \frac{0.055}{1001} \times \frac{4}{\pi(D_o^2 - D_i^2)} = 0.0374 \text{ m/s}$$

$$\therefore \quad Re = \frac{0.025 \times 0.0374}{1.397 \times 10^{-6}} = 668.36 \quad \therefore \text{ laminar}$$

Fully developed flow: (From tabulation)

$$\therefore \quad Nu = 3.66 \quad \therefore \quad h = 84.19 \text{ W/m}^2 \text{ K}$$

Case (ii) Flow = 0.4 kg/s

$$\therefore \quad \text{Velocity} = \frac{0.4}{1001} \times \frac{4}{\pi \times (0.05^2 - 0.025^2)} = 0.2714 \text{ m/s}$$

$$Re = \frac{0.2714 \times 0.025}{1.397 \times 10^{-6}} = 4856, \text{ Turbulent}$$

($n = 0.3$, cooling)

$$\therefore \quad Nu = 0.023 \times Re^{0.8} Pr^{0.3} = 41.12, \quad \therefore \quad h = 945.8 \text{ W/m}^2 \text{ K}$$

for circular section:

$$u = \frac{0.4}{1001} \times \frac{4}{\pi \times 0.025^2} = 0.814 \text{ m/s}$$

$$\therefore \quad Re = \frac{0.025 \times 0.814}{1.397 \times 10^{-6}} = 14568, \quad Nu = 99.18$$

$$\therefore \quad h = 2281 \text{ W/m}^2 \text{ K}$$

9.7 THE VARIATION OF TEMPERATURE ALONG THE FLOW DIRECTION

Constant Wall Temperature: The change in temperature (bulk) of the fluid for length dx is equal to the heat convected in the section divided by the heat capacity. This can be written as

$$mc (dT_b) = P dx h(T_s - T_b) \quad \dots(9.30)$$

P is the perimeter,

for constant surface temperature, ($T_w = \text{constant}$), this leads to

$$\frac{(T_s - T_{bo})}{(T_s - T_{bi})} = \exp \left[\frac{-\bar{h} A_s}{m C_p} \right] \quad \dots(9.31)$$

Where A_s = surface area, T_{bo} , T_{bi} = bulk temperature.
 This shown plotted in Fig. (9.4)

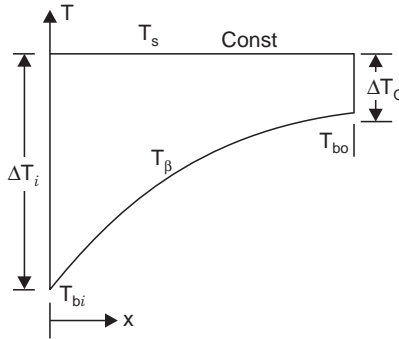


Fig. 9.6. Temperature variation of the fluid along flow-constant wall temperature.

The heat flow can be more accurately calculated by

$$q = \bar{h} A_s \left[\frac{\Delta T_i - \Delta T_o}{\ln (\Delta T_i / \Delta T_o)} \right] \quad \dots(9.32)$$

$A_s = \pi DL$. Length L can be more accurately calculated using equation (9.32) rather than using the arithmetic average as below.

$$q = h A_s \left[T_s - \frac{T_{bi} + T_{bo}}{2} \right]$$

Constant heat flux, $q \text{ w/m}^2$: The bulk temperature of the fluid varies linearly as equal amounts of heat is added along the length.

$$T_{mx} = T_{mi} + \frac{q A_s}{m c_p} \quad \dots(9.33)$$

The surface temperature is calculated using the heat flow by convection at the location. It is given by (9.34)

$$T_s = T_{mi} + \frac{4qD}{k} \left[\frac{1}{4Nu} + \frac{x/D}{Re Pr} \right] \quad \dots(9.34)$$

The variation of surface and fluid temperatures along the flow direction is shown in Fig. (9.7).

The variation of surface temperature T_s becomes linear in the fully developed region as in the relation 9.35, h and q are constant

$$(T_s - T_b) h A_s = q A_s \quad \dots(9.35)$$

The determination of convection coefficient in internal flow is of practical importance. Several other configurations (internally finned tubes, coiled tubes etc.) may be met in practice.

For solutions to these situations one has recourse to a rather extensive literature available in this area.

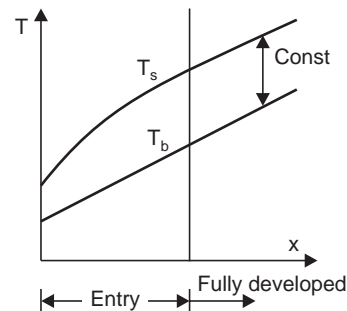


Fig. 9.7. Variation of surface and fluid temperatures-uniform heat flux.

SOLVED PROBLEMS

Problem 9.1: Derive the expression for the velocity distribution in fully developed laminar flow in a pipe.

Solution: Considering cylindrical element of radius r and length dx in the flow, the force balance gives (Fig. P. 9.1)

$$\pi r^2 [P - (P + dp)] = \tau 2\pi r dx = - \left(\mu \frac{du}{dr} \right) 2\pi r dx$$

$$\therefore \quad du = \frac{1}{2\mu} \left(\frac{dp}{dx} \right) r dr$$

Integrating from $r = 0$ to $r = R$ and using the boundary conditions at $r = R$, $u = 0$ and at $r = 0$, $u = u_{\max}$.

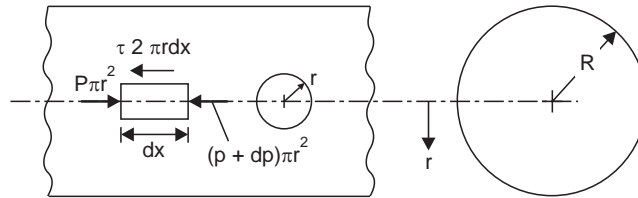


Fig. P. 9.1

$$u = \frac{1}{4\mu} \cdot \frac{dp}{dx} r^2 + c$$

$$c = - \frac{1}{4\mu} \frac{dp}{dx} \cdot R^2$$

$$\therefore \quad u = \frac{r^2 - R^2}{4\mu} \cdot \frac{dp}{dx} \quad \text{(P. 9.1)}$$

at $r = 0$

$$u_{\max} = - \frac{R^2}{4\mu} \cdot \frac{dp}{dx}, \text{ dividing and simplifying}$$

(as $\frac{dp}{dx}$ is -ve in the x direction, u_{\max} is positive in the x direction)

$$\frac{u}{u_{\max}} = 1 - \left(\frac{r}{R} \right)^2 \quad \text{(P. 9.1.2)}$$

The velocity distribution is parabolic in fully developed laminar flow.

Problem 9.2: Fanning friction coefficient C_f and Darcy friction factor f are defined as below. Show that $C_f = f/4$. Using flow in a pipe. ($g_c = g_o$)

$$C_f = \tau_s / (\rho u^2 / 2g_c), \quad f = \Delta P \cdot \frac{D}{L} \frac{1}{(\rho u^2 / 2g_c)}$$

Solution: Considering the fluid element of length L shown in figure

$$\Delta P \pi R^2 = 2\pi R \tau_s L$$

or

$$\Delta P = 2\tau_s L/R$$

Substituting for ΔP in the definition of f

$$f = \frac{2\tau_s \cdot L}{R} \cdot \frac{D}{L} \cdot \frac{1}{(\rho u^2/2g_c)}$$

noting

$$R = \frac{D}{2}$$

$$f = 4\tau_s/(\rho u^2/2g_c) = 4C_f \text{ or } C_f = f/4$$

Problem 9.3: Show that for laminar fully developed flow in a pipe $f = 64/Re$.

Solution: The mass flow through a pipe under this condition is calculated using

$$\dot{m} = \rho \int_0^R u 2\pi r dr$$

substituting for u from P. 9.1, $u = \frac{r^2 - R^2}{4\mu} \cdot \frac{dp}{dx}$.

and also using $-\Delta p/L$ in place of dp/dx (fully developed)

$$\dot{m} = -\frac{\Delta P \cdot \pi}{2L\mu} \rho \int_0^R (r^2 - R^2) r dr$$

$$\dot{m} = \frac{\Delta P \pi R^4 \cdot \rho}{8L\mu} = \frac{\Delta P \pi D^4 \rho}{128 L\mu}$$

The average velocity = volume flow/area

$$\therefore \bar{U} = \frac{\dot{m}}{\rho \pi R^2} = \frac{\Delta P D^2}{32 L\mu}$$

$$\therefore \Delta P = \frac{32 \mu L}{D^2} \bar{U} \text{ Dividing and multiplying by } \bar{U}, \rho \text{ and } 2$$

$$\Delta P = 32 \times \frac{2}{2} \frac{\rho \bar{U}}{\rho \bar{U}} \cdot \frac{\bar{U} \mu L}{D^2}$$

$$= \frac{64}{(\rho \bar{U} D / \mu)} \cdot \frac{L}{D} \cdot \frac{\rho \bar{U}^2}{2}$$

$$= \left[\frac{64}{Re} \right] \cdot \left[\frac{L}{D} \cdot \frac{\rho \bar{U}^2}{2} \right]$$

(P. 9.3)

Compare with definition of f

$$f = \Delta P \frac{D}{L} \cdot \frac{1}{(\rho U^2/2g_c)}$$

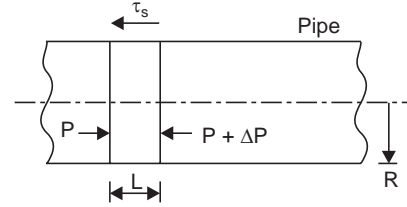


Fig. P. 9.2

$$\Delta P = f \times \left(\frac{L}{D} \cdot \frac{\rho U^2}{2g_c} \right)$$

Compare with P. 9.3 and note g_c is a force conversion factor with value 1 in S.I. system and in others g/g_c will be used in place of $1/g_c$.

$$\therefore f = \frac{64}{\text{Re}}$$

Problem 9.4: In the flow of liquid metal in a pipe of radius R the velocity is constant (u) all through the section (slug flow). The temperature variation at a section is parabolic given by

$$T - T_s = C \left[1 - \left(\frac{r}{R} \right)^2 \right]$$

where T_s is the wall temperature and C is a constant and r is the radius

at which temperature is T . Derive the value of Nusselt number (hD/k) at this location.

Solution: From basic convection equation at any location the heat flow at the wall is given by, where T_b is the fluid temperature

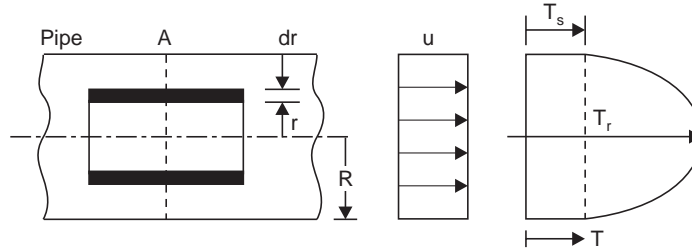


Fig. P. 9.4

$$q = h(T_s - T_b) \quad \dots(\text{P. 9.4.1})$$

Considering a small element at radius r , the average temperature is found by

$$T_b = \frac{1}{c\rho\pi R^2 u_m} \int_0^R 2\pi r dr u \rho c T = \frac{2}{u_m R^2} \int_C^R u T r dr$$

In this case $u = u_m$ and $T - T_s = C \left[1 - \left(\frac{r}{R} \right)^2 \right]$

Substituting

$$\begin{aligned} T_b &= \frac{2}{R^2} \int_0^R \left(T_s + C \left[1 - \left(\frac{r}{R} \right)^2 \right] \right) r dr \\ &= \frac{2}{R^2} \left[T_s \frac{r^2}{2} + C \frac{r^2}{2} - \frac{C}{4R^2} \cdot r^4 \right]_0^R \end{aligned}$$

$$\therefore T_b = T_s + C \quad \dots(\text{P. 9.4.2})$$

The heat flux at the surface is found from the distribution

$$q = k \left. \frac{\partial T}{\partial r} \right|_{r=R} = -kC 2 \cdot \frac{r}{R^2} \Big|_{r=R} = -2C \frac{k}{R}$$

Substituting
$$h = \frac{q}{T_s - T_b} = \frac{-2C \frac{k}{R}}{-C} = \frac{2k}{R}$$

$$\therefore Nu = \frac{hD}{k} = \frac{(2k/R) \times 2R}{k} = 4$$

For the given distributions **Nu = 4 for slug flow.**

Problem 9.5: Engine oil at 20°C flows through a 2 cm dia tube at a rate of 0.01 kg/s, The tube wall is at 100°C. Determine the temperature at 0.5 m, 1 m, 2.5 m, 5 m lengths.

Solution: As the mean of bulk temperature is not specified, the properties are first evaluated at 20°C

$$\rho = 888 \text{ kg/m}^3, \quad \nu = 901 \times 10^{-6} \text{ m}^2/\text{s}, \quad Pr = 10400, \quad k = 0.1454 \text{ W/mK}$$

The velocity of flow
$$= \frac{\text{mass}}{\text{density}} \times \frac{1}{\text{Area}} = \frac{0.01}{888} \times \frac{4}{\pi \times 0.02^2}$$

$$= 0.0358 \text{ m/s}$$

$$\therefore Re = 0.358 \times 0.02 / 901 \times 10^{-6} = 0.8$$

In the case of high Prandtl numbers, the development of thermal boundary layer takes longer distance compared to hydrodynamic boundary layer. ($0.04 Re Pr = 332.8 \text{ m}$)

$$Nu = 3.66 + \frac{0.0668 (D/L) Re Pr}{1 + 0.04 [(D/L) Re Pr]^{0.67}}$$

L	0.5	1	2.5	5 m
Nu	11.25	8.67	6.33	5.23
\bar{h} W/m ² K	81.79	63.03	46.02	38

The exit temperature can be determined using (using arithmetic mean)

$$mc(T_{mo} - T_{mi}) = h \pi DL \left(T_s - \frac{T_{mo} + T_{mi}}{2} \right)$$

at 0.5 m

$$0.01 \times 1880 (T_{mo} - 20) = \frac{81.79 \times \pi \times 0.02 \times 0.5}{2} [200 - (20 + T_{mi})]$$

$$T_{mo} = 30.23 \quad \therefore \text{New trial becomes necessary}$$

$$1 \text{ m } T_{mo} = 35.24 \quad \text{-do-}$$

$$2.5 \text{ m } T_{mo} = 45.8^\circ\text{C} \quad \text{-do-}$$

$$5 \text{ m } T_{mo} = 58.56^\circ\text{C} \quad \text{-do-}$$

The property values are now evaluated as the new estimated mean temperatures

0.5 m	(20 + 30.23)/2	= 25°C
1 m	(20 + 35.24)/2	= 27.5°C
2.5 m	(20 + 45.8)/2	= 32.5°C
5 m	(20 + 58.56)/2	= 39°C

Temp.	ρ	ν	Pr	k	c
25	885	736×10^{-6}	8517.5	0.1451	1901
27.5	883.5	653.5×10^{-6}	7576.25	0.1450	1911.5
32.5	880.5	488.5×10^{-6}	5693.75	0.1447	1932.5
39.0	876.6	274×10^{-6}	3246.5	0.1443	1959.8

Length	Reynolds	Nu	h	T_{mo} °C	Previous estimate °C
0.5	0.974	11.26	81.68	30.12	30.23
1.0	1.09	8.686	62.97	35.0	35.24
2.5	1.467	6.352	45.96	45.18	45.8
5.0	2.616	5.259	37.94	57.3	58.56

The outlet temperatures are very near the assumed values and hence can be taken as good.

Problem 9.6: An air preheater used hot gases (property values equal to that of air) at 350°C to heat air at 30°C. The gas pressure is 1 bar and the flow velocity is 1 m/s. Compare 5 cm tubes and 10 cm tubes for the unit. Determine the length of pipe required in each case and also the friction pressure drop. The gas has to be cooled to 200°C.

Solution: The bulk mean temperature = $(350 + 200)/2 = 275^\circ\text{C}$

The property values at this temperature are density = 0.6445 kg/m^3 , $\nu = 44.4 \times 10^{-6} \text{ m}^2 \text{ s}$, $Pr = 0.6755$, $k = 0.044365 \text{ W/mK}$, $c = 1053 \text{ J/kg K}$

0.5 m dia

$$Re = 1 \times 0.05 / 44.4 \times 10^{-6} = 1126$$

0.1 m dia

$$Re = 1 \times 0.1 / 44.4 \times 10^{-6} = 2252$$

The flow is in the laminar region. The assumption that the boundary layers develop simultaneously is better. (eqn. 9.9)

$$Nu = 3.66 + \frac{0.104 (Re Pr D/x)}{1 + 0.16 (Re Pr D/x)^{0.8}}$$

For 0.05 m dia:

The length is not known. **Assuming 5 m**

$$Nu = 4.10, \quad h = 3.64 \text{ W/m}^2 \text{ K}$$

Using heat balance

$$\begin{aligned} \frac{\pi \times 0.05 \times 0.05}{4} \times 1 \times 0.6445 \times 1053 (350 - 200) \\ = h \times \pi \times 0.05 \times L \left(\frac{350 + 200}{2} - 30 \right) \end{aligned}$$

$$\therefore \quad \mathbf{L = 1.43 \text{ m}}$$

So the value is to be recalculated using $\mathbf{L = 1.43 \text{ m}}$

$$Nu = 4.523 \quad \therefore \quad h = 4.01 \text{ W/m}^2 \text{ K}$$

$$\begin{aligned} \frac{\pi \times 0.05 \times 0.05}{4} \times 1 \times 0.6445 \times 1053 \times (350 - 200) \\ = h \times \pi \times 0.05 \times L \left(\frac{350 + 200}{2} - 30 \right) \end{aligned}$$

$$\therefore \quad \mathbf{L = 1.29 \text{ m or } 1.3 \text{ m.}}$$

Another calculation based on 1.3 m yields $Nu = 4.56$, $h = 4.05$

$$\therefore \quad \mathbf{L = 1.284 \text{ m.}} \quad \therefore \quad 1.30 \text{ m can be used}$$

For 0.1 m dia: Assuming 5 m length,

$$Nu = 4.57 \quad \therefore \quad h = 2.03$$

Using energy balance:

$$\begin{aligned} \frac{\pi \times 0.1 \times 0.1}{4} \times 1 \times 0.6445 \times 1053 (350 - 200) \\ = h \times \pi \times 0.1 \times L \left(\frac{350 + 200}{2} - 30 \right) \end{aligned}$$

$$\therefore \quad \mathbf{L = 5.12 \text{ m}}$$

This is close enough to the assumed value and repeated calculations yields

$$\therefore \quad Nu = 4.57. \text{ Adopt } 5.12 \text{ m}$$

$$f = \frac{64}{Re}$$

$$\therefore \quad \Delta P = \frac{f \times \rho(L/D) u_m^2}{2}$$

$$\mathbf{0.05 \text{ m dia, } \Delta P = \frac{64}{1126} \cdot \frac{0.6445 \times 1.3 \times 1^2}{2 \times 0.05} = 0.476 \text{ N/m}^2}$$

$$\mathbf{0.1 \text{ m dia, } \Delta P = \frac{64}{2252} \cdot \frac{0.6445 \times 5.12 \times 1^2}{2 \times 0.1} = 0.469 \text{ N/m}^2}$$

For the same flow rate the number of tubes required will be 4 times more in the case of 0.05 m dia tube, but still it will be economical to use the smaller dia tubes area wise.

Problem 9.7: In the problem 9.6, assume the velocity to be 8 m/s and compare 0.1 m dia and 0.05 m dia in terms of frictional drop and length requirements.

Solution: At 275°C, (T_m), $\rho = 0.6445 \text{ kg/m}^3$, $\nu = 44.4 \times 10^{-6} \text{ m}^2/\text{s}$, $Pr = 0.6755$, $k = 0.044365 \text{ W/mK}$, $c = 1053 \text{ J/kg K}$.

0.05 m dia

$$Re = 8 \times 0.05 / 44.4 \times 10^{-6} = 9009, \text{ flow is turbulent}$$

\therefore The length required is not known

Assuming 1 m length (eqn, 9.17)

$$Nu = 0.036 Re^{0.8} Pr^{0.33} (D/L)^{0.055} = 39$$

$$\therefore \quad \mathbf{h = 34.66 \text{ W/m}^2 \text{ K}}$$

Using energy balance equation

$$\begin{aligned} \frac{\pi \times 0.05 \times 0.05}{4} \times 8 \times 0.6445 \times 1053 \times 150 \\ = 34.66 \times \pi \times 0.05 \times L \times \left(\frac{350 + 200}{2} - 30 \right) \end{aligned}$$

$$\therefore \quad \mathbf{L = 1.2 \text{ m}}$$

Reworking with this value: $Nu = 38.66$, $\therefore 34.3 \text{ W/m}^2 \text{ K}$

$$L = 1.21 \text{ m} \quad \text{So 1.2 m is used}$$

$$\Delta P = f\rho \frac{L}{D} \cdot \frac{u^2}{2}, \quad f = 0.316 \times Re^{-0.2}$$

$$\therefore \quad \Delta P = 0.316 \times \frac{1}{9009^{0.2}} \times \frac{0.6445 \times 1.21}{0.05 \times 2} \times 8^2 = \mathbf{25.52 \text{ N/m}^2}$$

0.1 m dia: Assuming a length of 4 m, $Re = 18018$, turbulent

Using eqn. (9.17), $Nu = 65.46$, $h = 29.04 \text{ W/m}^2 \text{ K}$

using energy balance

$$\begin{aligned} \frac{\pi \times 0.1 \times 0.1}{4} \times 8 \times 0.6445 \times 1053 (350 - 200) \\ = 29.04 \times \pi \times 0.1 \times L \left(\frac{350 + 200}{2} - 30 \right) \end{aligned}$$

$$\therefore \quad \mathbf{L = 2.86 \text{ m}}$$

Reworking using 2.9 m

$$Nu = 66.63 \quad h = 29.56 \text{ W/m}^2 \text{ K}$$

$$\therefore \quad \mathbf{L = 2.6 \text{ m}}$$

The value is used for reworking,

$$Nu = 67.03, \quad h = 29.74 \text{ W/m}^2 \text{ K}$$

$$\therefore \quad \mathbf{L = 2.8 \text{ m}}$$

This value can be adopted.

$$f = 0.184 \times Re^{-0.2} = 0.0259$$

$$\Delta P = \frac{0.0259 \times 0.6445 \times 2.8 \times 8^2}{2 \times 0.1} = \mathbf{14.97 \text{ N/m}^2}$$

The length of tube in this case is about twice but the number of tubes only 1/4. The frictional loss is also reduced. However other considerations have to be looked into before the choice. The longer length is due to large mass flow.

Problem 9.8: Water is heated in an economiser (under pressure) from 40°C to 160°C. The tube wall is at 360°C. Determine the length of 0.05 m dia tube, if the flow velocity is 1 m/s.

Solution: $T_m = 100^\circ\text{C}$, $\rho = 961 \text{ kg/m}^3$, $v = 0.293 \times 10^{-6} \text{ m}^2/\text{s}$
 $Pr = 1.74$, $k = 0.6804 \text{ W/mK}$ $c = 4216 \text{ J/kg K}$
 $\mu_w = 909 \times 0.189 \times 10^{-6} \text{ kg/ms}$
 $Re = 0.05 \times 1/0.293 \times 10^{-6} = 0.1706 \times 10^6 \therefore \text{Turbulent}$

Using the more recent expression

$$Nu = \frac{(f/8) Re Pr}{1.07 + 12.7 (f/8)^{0.5} [Pr^{0.67} - 1]} \left(\frac{\mu_m}{\mu_w} \right)^{0.11}$$

$$f = (1.82 \log_{10} Re - 1.64)^{-2} = 0.016$$

$$\therefore Nu = 476.2 \therefore h = 6480.5 \text{ W/m}^2 \text{ K}$$

Heat balance is used to determine the length:

$$\begin{aligned} \frac{\pi \times 0.05^2}{4} \times 1 \times 961 \times 4216(160 - 40) \\ = \pi \times 0.05 \times L \times 6480.5 \left(360 - \frac{160 + 40}{2} \right) \end{aligned}$$

$$\therefore L = 3.6 \text{ m}, \frac{L}{D} = 72 \therefore \text{use of equation is justified.}$$

$$\Delta P = f \cdot \rho u^2 L/2D = 553.5 \text{ N/m}^2$$

If we use

$$Nu = 0.023 Re^{0.8} Pr^{0.33}, \quad Nu = 424.1, \quad h = 5773 \text{ w/m}^2 \text{ K}$$

$$\mathbf{L = 4.05 m}$$

LMTD can be used to assess length more accurately

$$Q = m AC (160 - 40) = h.A. LMTD = 5773 \times \pi \times 0.05 \times L \left[\frac{320 - 200}{\ln \left(\frac{320}{200} \right)} \right]$$

$$\therefore \mathbf{L = 4.12 m.}$$

Problem 9.9: For problem 9.8, if 10 cm dia pipes are used, determine the length required.

Solution: Using the property values as in 9.8,

$$Re = 0.3413 \times 10^6$$

$$Nu = \frac{(f/8) Re Pr}{1.07 + 12.7 (f/8)^{0.5} [Pr^{0.67} - 1]} \left[\frac{\mu_m}{\mu_w} \right]^{0.11}$$

$$f = (1.82 \log_{10} Re - 1.64)^{-2} = 0.014$$

$$\therefore Nu = 843.2 \therefore h = 5737 \text{ W/m}^2 \text{ K}$$

$$\therefore \quad \mathbf{L = 8.15 \text{ m}}$$

$$\Delta P = \frac{f \rho \cdot u^2 \cdot L}{2D} = \frac{0.014 \times 961 \times 1^2 \times 8.15}{2 \times 0.1} = \mathbf{548 \text{ N/m}^2}$$

For the same temperature rise, longer length is required for higher diameter. This is due to the larger mass flow for the same velocity. (4 times).

Problem 9.10: Dry compressed air at 7 bar and 125°C is to be cooled to 75°C in a tubular cooler, the diameter being 5 cm and the wall temperature at 20°C. Determine the length of tube required. The velocity used is 1.2 m/s.

Solution: The property values are to be evaluated at $(125 + 75)/2 = 100^\circ\text{C}$,

$$\rho = 0.946 \times 7, \quad Pr = 0.688, \quad k = 0.0321 \text{ W/mK},$$

$$c = 1009 \text{ J/kg K} \quad \mu_m = 21.87 \times 10^{-6} \text{ kg/ms}$$

$$\therefore \quad v = 21.87/0.946 \times 7 \text{ m}^2/\text{s}, \quad \mu_w = 18.14 \times 10^{-6} \text{ kg/ms}$$

$$Re = 1.2 \times 0.05 \times 0.946 \times 7 / 21.87 \times 10^{-6} = 18167$$

\therefore Flow is turbulent (cooling, index = 0.25)

$$\therefore \quad Nu = \frac{(f/8) Re Pr}{1.07 \times 12.7 (f/8)^{0.5} [Pr^{0.67} - 1]} \left[\frac{\mu_m}{\mu_w} \right]^{0.25}$$

$$f = (1.82 \log_{10} Re - 1.64)^{-2} = 0.0268$$

$$\therefore \quad Nu = 48.2 \quad \therefore \quad h = 30.99 \text{ W/m}^2 \text{ K}$$

As the temperatures are known, *LMTD* can be used

$$\frac{\pi \times 0.05^2}{4} \times 1.2 \times 7 \times 0.964 \times 1009 (125 - 75)$$

$$= \pi \times 0.05 \times L \times h \left[\frac{105 - 55}{\ln \left(\frac{105}{55} \right)} \right]$$

$$\therefore \quad \mathbf{L = 2.13 \text{ m}, \quad \frac{L}{D} = 42.6 < 60}$$

So another trial using *Nu* in the entry region can be used

$$Nu = 0.036 Re^{0.8} Pr^{0.33} (D/L)^{0.55}$$

$$Nu = 66.07, \quad \therefore \quad h = 42.48 \text{ W/m}^2\text{K}$$

$$\mathbf{L = 1.55 \text{ m}}$$

A later correlation is

$$\bar{Nu} = Nu \left(1 + \frac{C}{x/D} \right) \quad C = 6.0$$

$$= 48.2 \left(1 + \frac{6}{(1.55/0.05)} \right) = 57.53,$$

$$\therefore h = 37 \text{ W/m}^2 \text{ K}, \quad \therefore L = 1.79 \text{ m}$$

The length ranges from about 1.5 m to 2.1 m

Less than $\pm 20\%$ about 1.8 m.

Problem 9.11: Steam at 1 bar and 200°C flows inside a 5 cm dia tube at a velocity of 15 m/s. The tube wall temperature is 500°C . Determine the temperature of steam at the outlet if the pipe is 6 m long.

Solution: The property values at 1 bar and 200°C are (steam which is superheated can be considered as gas).

$$\begin{aligned} \rho &= 0.464 \text{ kg/m}^3, & \nu &= 30.6 \times 10^{-6} \text{ m}^2/\text{s}, & Pr &= 0.94, & C_p &= 1976 \text{ J/kg K} \\ k &= 0.0334 \text{ W/m}^2 \text{ K}, & \mu &= 15.89 \times 10^{-6} \text{ kg/ms} \\ Re &= 0.05 \times 15 / 30.6 \times 10^{-6} = \mathbf{24510} \end{aligned}$$

So the flow is turbulent

Using **equation (9.22)** ($T_m = 200^\circ\text{C}$)

$$Nu = \frac{(f/8) Re Pr}{1.07 + 12.7 (f/8)^{0.5} [Pr^{0.67} - 1]} \left[\frac{T_w}{T_m} \right]^{0.11}$$

Note. Temperature in Kelvin to be used

$$\begin{aligned} f &= (0.79 \ln Re - 1.64)^{-2} = 0.0248 \\ Nu &= 72.42 \quad \therefore h = \mathbf{48.5 \text{ W/m}^2 \text{ K}} \end{aligned}$$

If the **equation (9.20)** is used

$$Nu = 0.023 Re^{0.8} Pr^{0.4} = 72.85 \quad \therefore h = \mathbf{48.67 \text{ W/m}^2 \text{ K}}$$

These values are close.

Using **equation (9.21)**.

$$Nu = 0.027 Re^{0.8} Pr^{0.33} \left[\frac{\mu_m}{\mu_w} \right]^{0.14}$$

$$\mu_m \text{ at } 200^\circ\text{C} = 15.89 \times 10^{-6}$$

$$\mu_w \text{ at } 500^\circ\text{C} = 28.64 \times 10^{-6}$$

$$\therefore Nu = 79.08 \quad \therefore h = \mathbf{52.83 \text{ W/m}^2 \text{ K}}$$

Not far removed from other values.

The exit temperature is determined using energy balance. (assuming arithmetic mean)

$$\begin{aligned} &\text{mass flow} \times \text{sp. heat} \times \text{temp. rise} \\ &= \text{Area} \times \text{convect coefficient} \times \text{average temp. difference} \end{aligned}$$

Taking the value of h as $48.5 \text{ W/m}^2 \text{ K}$

$$\begin{aligned} 0.464 \times 15 \times \frac{\pi \times 0.05^2}{4} \times 1976 (T_{mo} - 200) \\ = 48.5 \times \pi \times 0.05 \times 6 \left(500 - \frac{200 + T_{mo}}{2} \right) \end{aligned}$$

$$\therefore T_{mo} = 475^{\circ}\text{C}$$

This is large enough. So another trial is necessary taking property values at $(475 + 200)/2 = 337.5^{\circ}\text{C}$.

The property values are:

	ρ	ν	Pr	c	k	μ
300	0.384	44.3×10^{-6}	0.91	2014	0.44419	24.32
400	0.326	60.5×10^{-4}	0.90	2073	0.05594	28.64

Taking at 337.5°C

$\rho = 0.362 \text{ kg/m}^3$, $\nu = 50.375 \times 10^{-6} \text{ m}^2/\text{s}$, $Pr = 0.906$, $k = 0.0486 \text{ W/mK}$, $\mu = 25.94 \times 10^{-6} \text{ kg/ms}$

$$Re = 0.05 \times 15/50.375 \times 10^{-6} = 14888 \quad \therefore \text{Turbulent}$$

Using equation (9.22) and (9.14)

$$f = (1.82 \log_{10} Re - 1.64)^{-2} = 0.0282$$

$$Nu = \frac{(f/8) Re Pr}{1.07 \times 12.7 (f/8)^{0.5} [Pr^{0.67} - 1]} \left[\frac{T_w}{T_m} \right]^{0.11} = 47.76$$

Temperature in Kelvin

$$\therefore h = 46.41 \text{ W/m}^2 \text{ K}$$

Using equation (9.20)

$$Nu = 0.023 Re^{0.8} Pr^{0.333} = 48.5, \quad \therefore h = 47.14 \text{ W/m}^2 \text{ K}$$

Using the value and substituting in the energy balance (check please) taking mass flow rate as before

$$T_{mo} = 470.8^{\circ}\text{C}, \text{ less than } 475^{\circ}\text{C} \text{ previously calculated}$$

Another trial is not warranted in the academic level. But for design purposes, another trial will be useful.

Problem 9.12: Air flows through a 5 cm ID rough pipe with a relative roughness (ϵ/D) of 0.006, the mean velocity of air being 12 m/s. The air enters at 150°C and the tube wall is at 30°C . Determine the exit temperature of air. The pipe is 3 m long.

Solution: Considering that the air may be cooled to about 90°C and taking a mean temperature of 120°C , the property values are $\rho = 0.898$, $\nu = 25.45 \times 10^{-6} \text{ m}^2/\text{s}$, $Pr = 0.686$, $c = 1009$, $k = 0.03338 \text{ W/mK}$, $\rho = 0.8345 (150^{\circ}\text{C})$.

$$Re = 0.05 \times 12/25.45 \times 10^{-6} = 23576, \quad \therefore \text{Turbulent}$$

using eqn. (9.16)

$$f = \frac{1.325}{\left[\ln \left(\frac{\epsilon}{D} \cdot \frac{1}{3.7} \right) + 5.74/Re^{0.9} \right]^2} = 0.0321$$

(for smooth tubes this works out to 0.025, eqn. (9.14 (b)))

(from Moody diagram $f = 0.035$)

Using Analogy $St. Pr^{2/3} = f/8$

$$Nu = \frac{0.0321}{8} \times Re \cdot Pr^{0.333} = 83.45$$

$$\therefore h = 55.72 \text{ W/m}^2 \text{ K}$$

To determine the outlet temperature, energy balance is used

$$\begin{aligned} \frac{\pi \times 0.05^2}{4} \times 12 \times 0.8345 \times 1009 (150 - T_{mo}) \\ = \pi \times 0.05 \times 3 \times 55.72 \left(\frac{150 + T_{mo}}{2} - 30 \right) \end{aligned}$$

$$\therefore T_{mo} = 54.43^\circ\text{C}$$

In case *LMTD* method is used, the outlet temperature comes as 61.8°C

So another trial is necessary. Considering $T_{mo} = 60^\circ\text{C}$

The mean temperature = $(150 + 60)/2 = 105^\circ\text{C}$

The property values at 105°C are (in the usual units)

$$\rho = 0.934, \quad \nu = 23.71 \times 10^{-6} \text{ m}^2/\text{s}, \quad Pr = 0.689, \quad k = 0.03242, \quad c = 1009$$

$$Re = 12 \times 0.05 / 23.71 \times 10^{-6} = 25306$$

$$f = \frac{1.325}{\left[\ln \frac{0.006}{3.7} + \frac{5.74}{(25306)^{0.9}} \right]^2} = 0.03211$$

h value is calculated as before.

\therefore Exit temperature, using energy balance is obtained as 51.94°C . This value is good enough as an estimate. It is to be noted that roughness causes a higher rate of heat transfer (compare the values of f).

Problem 9.13: Water at 20°C flows through smooth tubes of 25 mm dia at a mean velocity of 2.2 m/s. The surface of the tube is at 5°C and the water is chilled in the process. The tube is 4 m long. Determine the outlet temperature of water.

Solution: Considering property values at 20°C

$$\rho = 1000 \text{ kg/m}^3, \quad \nu = 1.006 \times 10^{-6} \text{ m}^2/\text{s}, \quad Pr = 7.02, \quad k = 0.5978 \text{ W/mK}, \quad c = 4216 \text{ J/kg K}$$

$$Re = 2.2 \times 0.025 / 1.006 \times 10^{-6} = 54672, \text{ Turbulent flow}$$

Using equation (9.22)

$$Nu = \frac{(f/8) Re Pr}{1.07 + 12.7 (f/8)^{0.5} [Pr^{0.67} - 1]} \left[\frac{\mu_m}{\mu_w} \right]^{0.25}$$

$$f = [1.82 \log_{10} Re - 1.64]^{-2} = 0.0205, \text{ (eqn. 9.14(b))}$$

$$\mu_m = \nu_m \rho_m, \quad \mu_m = \nu_w \times \rho_w = 1.5925 \times 10^{-6} \times 1000.5$$

$$\mu_m = 1.006 \times 10^{-6} \times 1000$$

substituting $Nu = 314.98 \quad \therefore h = 7532 \text{ W/m}^2 \text{ K}$

Using the simpler expression (cooling)

$$Nu = 0.023 Re^{0.8} Pr^{0.3} = 254.6, h = 6088 \text{ W/m}^2 \text{ K}$$

There is a larger difference in this case.

To determine the outlet temperature, energy balance is made, using average temperature, instead of *LMTD*.

$$\begin{aligned} \frac{\pi \times 0.025^2}{4} \times 2.2 \times 1000 \times 4216(20 - T_{mo}) \\ = 7532 \times \pi \times 0.025 \times 4 \times \left(\frac{20 + T_{mo}}{2} - 5 \right) \end{aligned}$$

$$\therefore T_{mo} = 13.81^\circ\text{C}$$

In case *LMTD* method is used $T_{mo} = 14.9^\circ\text{C}$

The average temp. = 16.9°C and property values used are at 20°C . The difference will be marginal.

As a check: use analogy method

$$St Pr^{2/3} = f/8$$

$$Nu = (f/8) Re Pr^{0.33} \quad \therefore Nu = 268.4 \text{ (compare 315, 224.6)}$$

Using equation (9.21)

$$Nu = 0.027 Re^{0.8} Pr^{0.33} \left[\frac{\mu_m}{\mu_w} \right]^{0.14} = 299.04$$

The values by use of eqn. (9.21) and (9.22) are closer.

Problem 9.14: Air is heated using an electrically heated pipe of 15 mm dia from 20°C to 180°C , with constant heat flux maintained over the wall. The flow rate is 2 kg/hr. The average temperature difference is 20°C , so that the wall temperature does not exceed 200°C . Determine the length required and the heat flux.

Solution: The property values are evaluated at $(20 + 180)/2 = 100^\circ\text{C}$

$$\rho = 0.946 \text{ kg/m}^3, \quad v = 23.13 \times 10^{-6} \text{ m}^2/\text{s}$$

$$Pr = 0.688, \quad k = 0.0321 \text{ W/mK}, \quad c = 1009 \text{ J/kg K}$$

$$\mu = 21.87 \times 10^{-6} \text{ kg/ms, velocity} = 3.32 \text{ m/s. (Calculated)}$$

Using mass flow,

$$\begin{aligned} Re = 4 G/\pi D \mu = \frac{4 \times 2}{3600} \times \frac{1}{\pi \times 0.015} \times \frac{1}{21.87 \times 10^{-6}} \\ = 2156.2 \end{aligned}$$

So laminar flow (assume fully developed flow)

$$Nu = 4.36 \left(\text{From chart for } \frac{x}{D} \cdot \frac{1}{Re Pr} = 0.34, Nu = 4.36 \text{ so checks} \right)$$

$$\therefore h = 9.33 \text{ W/m}^2 \text{ K}$$

$$Q = mc \Delta T$$

$$Q = \frac{2}{3600} \times 1009 \times (180 - 60) = 67.267 \text{ W}$$

$$\text{Heat convected} = 9.33 \times \pi \times 0.015 \times L \times 20$$

$$\therefore \quad \mathbf{L = 7.65 \text{ m}}$$

This is also equal to the product of heat flux and area

$$\therefore \quad \text{heat flux} = 67.267/\pi DL = \mathbf{186.6 \text{ W/m}^2 \text{ or } 8.8 \text{ W/m length.}}$$

Problem 9.15: Nitrogen at -20°C gets heated as it flows through a pipe of 25 mm dia at a flow rate of 13.725 kg/hr at 2 atm pressure. The pipe is heated with a uniform heat flux of 500 W/m^2 . The pipe is 4 m long. Determine the value of the pipe temperature at the exit.

Solution: As the pipe length and heat flux are specified the exit temperature of nitrogen can be found

$$c \approx 1030 \text{ J/kgK}$$

$$\pi \times 0.025 \times 4 \times 500 = \frac{13.725}{3600} \times 1030 \times (T_{mo} - (-20))$$

$$\therefore \quad T_{mo} = 20^\circ\text{C}$$

Property values are taken at 0°C

$$\rho = 1.25 \times 2 \text{ kg/m}^3 \quad Pr = 0.705, \quad c = 1030 \text{ J/kg K}$$

$$k = 0.02431 \text{ W/mK} \quad \mu = 16.67 \times 10^{-6} \text{ kg/ms}$$

$$Re = \frac{4G}{\pi D \mu} = \frac{4 \times 13.725}{3600 \times \pi \times 0.025 \times 16.67 \times 10^{-6}} = \mathbf{11648}$$

Turbulent flow

The equations applicable are

$$Nu = 0.023 Re^{0.8} Pr^{0.4} \quad \dots(\text{A})$$

$$Nu = \frac{(f/8) Re Pr}{1.07 + 12.7 (f/8)^{0.5} [Pr^{0.67} - 1]} \cdot (\text{const. heat flux}) \quad \dots(\text{B})$$

$$f = (1.82 \log_{10} Re - 1.62)^{-2} = 0.03$$

Using A: $Nu = 35.8, \quad \mathbf{h = 34.81 \text{ W/m}^2 \text{ K}}$

Using B: $Nu = 34.07 \quad \mathbf{h = 33.13 \text{ W/m}^2 \text{ K}}$

To determine the temperature at exit, using $h = 34.81 \text{ W/m}^2 \text{ K}$

$$qA = hA \Delta T \quad \therefore \quad \Delta T = 14.4^\circ\text{C}$$

$$\therefore \quad \mathbf{\text{pipe temperature} = -20 + 14.4 = 5.6^\circ\text{C}}$$

Problem 9.16: Exhaust from a truck engine enters the exhaust pipe at 400°C and the pipe is 5 cm in dia with a constant wall temperature of 120°C . The pipe is 3 m long. The flow rate is 500 kg/hr. Determine the exit temperature.

Assume properties as that of air.

Solution:

Making a first assumption of 200°C exit, the property values are evaluated at 300°C .

$$\rho = 0.615 \text{ kg/m}^3 \quad v = 48.2 \times 10^{-6} \text{ m}^2/\text{s} \quad Pr = 0.6/4.$$

$$k = 0.04605 \text{ W/mK} \quad u = 29.71 \times 10^{-6} \text{ kg/ms} \quad c = 1047 \text{ J/kg K}$$

$$Re = 4 G/\pi D \mu = \frac{4 \times 500}{3600} \times \frac{1}{\pi \times 0.05 \times 29.71 \times 10^{-6}}$$

$$= 119043 \quad \therefore \text{Turbulent}$$

for a first estimate:

$$Nu = 0.023 Re^{0.8} Pr^{0.3} = 234.4, \quad \therefore h = 215.34 \text{ W/m}^2\text{K}$$

Using heat balance,

$$\frac{500}{3600} \times 1047 \times (400 - T_{mo}) = 216.34 \times \pi \times 0.05 \times 3 \left(\frac{400 + T_{mo}}{2} - 120 \right)$$

$$\mathbf{T_{mo} = 254.6^\circ\text{C}}$$

The mean temperature can now be taken as 325°C

The properties are:

$$\rho = 0.5905 \text{ kg/m}^3 \quad \nu = 51.83 \times 10^{-6} \text{ m}^2/\text{s}, \quad Pr = 0.675$$

$$c = 1053 \text{ J/kgK} \quad k = 0.047565 \text{ W/mK} \quad \mu_m = 30.545 \times 10^{-6} \text{ kg/ms}$$

$$\mu_w = (120^\circ\text{C}) = 22.85 \times 10^{-6} \text{ kg/ms}$$

$$Re = 4 \text{ m}/\pi D \mu = 115789$$

$$\text{Using} \quad Nu = \frac{(f/8) Re Pr}{1.07 + 12.7 (f/8)^{0.5} [Pr^{0.67} - 1]} \left(\frac{\mu_m}{\mu_w} \right)^{0.25}$$

$$f = (1.82 \log_{10} Re - 1.64)^{-2} = 0.01742$$

$$\therefore \quad Nu = 196.1, \text{ and } h = 186.55 \text{ W/m}^2 \text{ K}$$

$$\frac{500}{3600} \times 1047 (400 - T_{mo}) = 186.55 \times \pi \times 0.05 \times 3 \left(\frac{400 + T_{mo}}{2} - 120 \right)$$

$$\mathbf{T_{mo} = 270^\circ\text{C}}$$

In case *LMTD* method is used $T_{mo} = 273^\circ\text{C}$

Another iteration with properties at 335°C yields

$$\rho = 0.5805 \text{ kg/m}^3, \quad \nu = 53.282 \times 10^{-6} \text{ m}^2/\text{s}, \quad Pr = 0.675, \quad k = 0.0482 \text{ W/mK}$$

$$\mu = 30.879 \times 10^{-6} \text{ kg/ms}$$

$$Re = 114537, \quad f = 0.0175, \quad Nu = 194.98, \quad h = 187.96 \text{ W/m}^2\text{K}$$

$\mathbf{T_{mo} = 269.3^\circ\text{C}}$, The outlet can be taken to be at 270°C .

Problem 9.17: A water pipe of dia 7.5 cm absorbs solar radiation at 800 W/m^2 over the projected area as it passes along an open space for a distance of 10 m. The flow rate of water entering at 25°C is 100 g/hr. Determine the pipe temperature at the outlet.

Solution: The temperature rise can be found using the heat flux and flow rate (projected area = length \times diameter)

$$800 \times 10 \times 0.0785 = \frac{100}{3600} \times 4178 (T_{mo} - 25)$$

$$\therefore \quad T_{mo} = 30.17^\circ\text{C}$$

Taking property values at $(25 + 30.17)/2 = 27.585^\circ\text{C}$

$$\rho = 998.1 \text{ m}^3/\text{kg} \quad \nu = 0.87364 \text{ m}^2/\text{s}, \quad Pr = 6.004$$

$$k = 0.6093 \text{ W/mK} \quad c = 4178 \text{ J/kgK}$$

$$\text{Re} = 4 G/\pi D \mu = \frac{4 \times 100}{3600} \times \frac{1}{\pi \times 0.075 \times 0.87364 \times 10^{-6} \times 98.1} = 564.88$$

Laminar, constant heat flux, fully developed

$$\therefore \quad Nu = 4.36, \quad \therefore \quad \mathbf{h = 35.42 \text{ W/m}^2 \text{ K}}$$

$$\therefore \quad 35.42 \times \pi \times D \times 1(T_w - T_\infty) = D \times 1 \times 800$$

$$\therefore \quad T_w - T_\infty = 7.19^\circ\text{C}, \quad \text{At outlet } T_w = 30.17 + 7.19 = \mathbf{37.36^\circ\text{C}}$$

Problem 9.18: Saturated steam at 300°C enters a radiant super heater tube of 7.5 cm dia of 4 m length exposed to uniform heat flux of 60 kW/m^2 . Determine the tube wall temperature at exit. The steam flow rate is 0.5 kg/s .

Solution: The average property values may be taken as below

$$\rho = 46.2 \text{ kg/m}^3 \quad \mu = 21.28 \times 10^{-6} \text{ kg/ms} \quad c = 4424 \text{ J/kgK}$$

$$k = 0.0442 \text{ W/mK}, \quad Pr = 2.13$$

$$\text{Re} = 4 G/\pi D \mu = 4 \times 0.5/\pi \times 0.075 \times 21.28 \times 10^{-6} = 398885 \text{ or } \mathbf{3.99 \times 10^5}$$

Flow is turbulent, constant heat flux,

$$Nu = \frac{(f/8) Re Pr}{1.07 + 12.7 (f/8)^{0.5} [Pr^{0.67} - 1]}$$

$$f = (1.82 \log_{10} Re - 1.64)^{-2} = 0.0137$$

$$\therefore \quad Nu = 1026.5 \quad \therefore \quad \mathbf{h = 605 \text{ W/m}^2 \text{ K}}$$

$$q \times A = hA(\Delta T)$$

$$\therefore \quad 60000 = 605 \times \Delta T, \quad \therefore \quad \Delta T = 99.17^\circ\text{C}$$

(wall temperature above steam temperature)

$$\text{Exit steam temp.} = 0.5 \times 4424 \times \Delta T = 60000 \times \pi \times 0.075 \times 4$$

$$\therefore \quad \Delta T = 25.56^\circ\text{C} \text{ (Temp. rise of steam)}$$

$$\therefore \quad \text{Surface temp. at exit} = 300 + 25.56 + 99.17 = \mathbf{424.73^\circ\text{C}}$$

Problem 9.19: In problem 9.18 if the flow rate is increased to 2 kg/s , maintaining other parameters, determine the tube wall temperature at the outlet. Use the same average value of properties.

$$\text{Solution:} \quad \text{Re} = 4 G/\pi D \mu = \frac{4 \times 2}{\pi \times 0.075 \times 21.28 \times 10^{-6}}$$

$$= \mathbf{1.6 \times 10^6} \text{ Turbulent flow}$$

$$f = (1.82 \log Re - 1.64)^{-2} = 0.01074$$

$$Nu = \frac{(f/8) Re Pr}{1.07 + 12.7 (f/8)^{0.5} [Pr^{0.67} - 1]} = 3318.2$$

$$\therefore \quad \mathbf{h = 1955.5 \text{ W/m}^2 \text{ K}}$$

$$q = h \Delta T$$

ΔT is wall temp. above fluid temp.

$$\therefore 60000 = 1955.5 \times \Delta T, \quad \therefore \Delta T = 30.68^\circ\text{C}$$

Fluid temp. rise:

$$q \times \pi D L = m c_p (T_{mo} - T_{mi})$$

$$60000 \times \pi \times 0.075 \times 4 = 2 \times 4424 (T_{mo} - 300)$$

$$\therefore T_{mo} = 306.39^\circ\text{C}$$

$$\therefore \text{Wall temp. at exit} = 306.39 + 30.68 = 337.07^\circ\text{C} \quad (\text{compare with 424 in 9.18})$$

Larger flow rate keeps lower wall temperature.

At low loads, the pipes may over heat due to reduced flow rates and proper precautions become necessary to prevent tube failure due to overheating.

Problem 9.20: Liquid ammonia flows in a duct of section of equilateral triangle of 1 cm side. The average bulk temperature is 20°C and the duct wall is at uniform temperature of 50°C . Fully developed laminar flow with Reynolds number of 1200 is maintained. Calculate the average value of heat transfer for 1 m length.

Solution: For fully developed flow, the triangular section, laminar flow, $Nu = 2.47$ (from tables)

$$Nu = \frac{h \cdot D_h}{k}, \quad D_h = \frac{4A}{P}$$

$$A = 0.1 \times 0.1 \sin 60/2 \text{ m}^2 \quad P = 3 \times 0.1$$

$$\therefore D_h = 5.77 \times 10^{-3} \text{ m}$$

$$k = 0.521 \text{ W/m}^2\text{K} \quad \therefore h = \frac{2.47 \times 0.521}{5.77 \times 10^{-3}} = 222.89 \text{ W/m}^2\text{K}$$

$$Q = 0.03 \times 1 \times 222.89 \times (50 - 20) = 200.6 \text{ W/m}$$

Problem 9.21: Water at mean bulk temperature of 20°C flows in a duct having cross section of $10 \text{ mm} \times 20 \text{ mm}$ with uniform wall temperature of 60°C . For fully developed laminar flow, calculate the heat transfer for 1 m length.

Solution: From tables for rectangle of 1 : 2 sides, the value of Nu for fully developed laminar flow is read as 3.391.

k at 20°C for water is 0.5978 W/mK

Hydraulic radius,

$$D_h = \frac{4 \times 0.01 \times 0.02}{2(0.01 + 0.02)} = 0.01333 \text{ m}$$

$$\therefore h = \frac{3.391 \times 0.5978}{0.01333} = 152.04 \text{ W/m}^2\text{K}$$

$$Q = 1 \times 0.06 \times 152.04 \times (60 - 20) = 364.9 \text{ W/m}$$

Problem 9.22: Water flows in a pipe of 50 mm ID at a rate of 3 kg/s and is heated from 15°C to 25°C over a length of 2 m. Determine the temperature of the tube wall if uniform wall temperature conditions prevail.

Solution: The property values are at 20°C, $(15 + 25)/2$

$$\rho = 1000 \text{ kg/m}^3 \quad v = 1.006 \times 10^{-6} \text{ m}^2/\text{s} \quad Pr = 7.02$$

$$k = 0.5978 \text{ W/mK}, c = 4178 \text{ J/kg K}$$

$$Re = 4 G/\pi D \mu = 4 m/\pi D v \rho = 4 \times 3/\pi \times 0.5 \times 1000 \times 1.006 \times 10^{-6} = 75938$$

\therefore Flow is turbulent, heating of fluid

$$Nu = \frac{(f/8) Re Pr}{1.07 + 12.7 (f/8)^{0.5} [Pr^{0.67} - 1]} \left(\frac{\mu_m}{\mu_w} \right)^{0.11}$$

As the wall temperature is not known, it is **assumed as 60°C**

$$\mu_w = 985 \times 0.478 \times 10^{-6} \text{ kg/ms}$$

$$f = (1.82 \log_{10} Re - 1.64)^{-2} = 0.01906$$

$$\therefore Nu = 507.18 \quad \therefore \mathbf{h = 6064 \text{ W/m}^2 \text{ K}}$$

$$3 \times 4178 \times 10 = 6064 \times \pi \times 0.05 \times 2 (T_w - 20)$$

$$\mathbf{T_w = 85.8^\circ\text{C}}$$

This is near enough to our assumption of 60°C to warrant one more iteration. Another older correlation is

$$Nu = 0.023 Re^{0.8} Pr^{0.4} = 402.4, \mathbf{h = 4810 \text{ W/m}^2 \text{ K}}$$

This leads to a wall temperature of : **102.94°C**

Problem 9.23: The pressure drop in flow of water at the rate of 1 kg/s in a pipe of 25 mm dia over a length of 1.5 m was measured as 7000 N/m². The water inlet temperature is 20°C and the wall temperature is maintained at 50°C. Determine the water temperature at the exit.

Solution: The property values are taken at 20°C

$$\rho = 1000 \text{ kg/m}^3, \quad v = 1.006 \times 10^{-6} \text{ m}^2/\text{s}, \quad Pr = 7.02,$$

$$k = 0.5978 \text{ W/mK}, \quad c = 4178 \text{ J/kgK} \quad \rho_{50} = 990 \text{ kg/m}^3,$$

$$v_{50} = 5675 \times 10^{-6} \text{ m}^2/\text{s}$$

Friction factor is found from pressure drop and analogy is used to solve from in

$$\Delta P = f \cdot \rho \frac{L}{D} \frac{u^2}{2}, \quad u = 0.001 \times 4/\pi \times 0.025^2 \text{ m/s} = 2.0372 \text{ m/s}$$

$$\text{substituting,} \quad f = 7000 \times 0.025 \times 2/1000 \times 1.5 \left(\frac{0.001 \times 4}{\pi \times 0.025^2} \right)^2 = 0.05622$$

$$Re = uD/v = 2.0372 \times 0.025/1.006 \times 10^{-6} = 50626$$

If we assume smooth pipe,

$$f = (1.82 \log Re - 1.64)^{-2} = 0.02087$$

so the pipe considered should be a rough pipe,

Using Colburn analogy

$$\therefore St Pr^{2/3} = f/8$$

$$Nu = \left(\frac{f}{8} \right) Re \cdot Pr^{1/3} = \frac{0.05622}{8} \times 50626 \times 7.02^{0.333} \\ = 681.22$$

$$\therefore h = 16289 \text{ W/m}^2 \text{ K}$$

$$1 \times 4178 (T_{mo} - 20) = \pi \times 0.025 \times 1.5 \times 16289 \left(50 - \frac{T_{mo} + 20}{2} \right)$$

$$\therefore T_{mo} = 31.2^\circ\text{C}$$

Another trial can be made with $T_m = 25.6^\circ\text{C}$
This may be tried.

Problem 9.24: Water is heated at the rate of 1 kg/s from 30°C to 50°C in a smooth pipe of 25 mm ID. The tube wall temperature is 9.1°C above the fluid temperature all along the length. Estimate the length of tube required and also the heat flux and the temperature of wall at exit.

Solution: The mean bulk temperature = $(30 + 50)/2 = 40^\circ\text{C}$

$$\rho = 995 \text{ kg/m}^3, \quad v = 0.657 \times 10^{-6} \text{ m}^2/\text{s}, \quad Pr = 4.34,$$

$$k = 0.628 \text{ W/mK} \quad c = 4178 \text{ J/kg K}$$

As the temperature difference between the wall and fluid is constant, this should be a case of constant heat flux.

$$Re = 4 G/\pi D\mu = 4 \times 1/\pi \times 0.025 \times 995 \times 0.657 \times 10^{-6}$$

$$= 77908 \quad \text{So the flow is turbulent}$$

Using
$$Nu = \frac{(f/8) Re Pr}{1.07 + 12.7 (f/8)^{0.5} [Pr^{0.67} - 1]}$$

$$f = (1.82 \log Re - 1.64)^{-2} = 0.01896$$

$$\therefore Nu = 382.16 \quad \therefore h = 9600 \text{ W/m}^2 \text{ K}$$

Using
$$mc (T_{mo} - T_{mi}) = h \times \pi DL \Delta T$$

$$1 \times 4178 \times (50 - 30) = 9600 \times \pi \times 0.025 \times L \times 9.1$$

Length of tube,
$$L = 12.18 \text{ m}$$

$$Q \times A = hA \Delta T \quad \therefore Q = 9600 \times 9.1 = 87.36 \text{ kW/m}^2, (A = 1)$$

$$\text{heat flux} = 87.36 \text{ kW/m}^2 \text{ or } 6.861 \text{ kW/m length}$$

$$\text{Wall temperature at exit} = 59.1^\circ\text{C}$$

Problem 9.25: Water flows at the rate of 6 kg/s in a pipe 5 cm dia and 9 m length. The relative roughness is 0.002. The pipe wall is at a uniform temperature of 70°C . Water enters at 40°C . Determine the exit temperature.

Solution: As a first trial, consider properties at 40°C

$$\rho = 995 \text{ m}^3/\text{kg} \quad v = 0.657 \times 10^{-6} \text{ m}^2/\text{s}, \quad Pr = 4.34,$$

$$k = 0.628 \text{ W/mK} \quad c = 4178 \text{ J/kg K}$$

As the pipe is rough, it is desirable to use Colburn analogy

$$\varepsilon/D = 0.002$$

$$St. Pr^{2/3} = f/8$$

$$Re = 4 \times 6/\pi \times 0.05 \times 995 \times 0.657 \times 10^{-6} = 233724$$

$$f = \frac{1.325}{\left[\ln \frac{\epsilon}{3.7D} + 5.74/Re^{0.9} \right]^2} = 0.0234$$

$$Nu = (f/8) Re Pr^{0.333} \\ = 1115.7$$

$$\therefore h = 14014 \text{ W/m}^2 \text{ K}$$

Using energy balance, $T_{mo} = 57^\circ\text{C}$

Another trial will be desirable taking property values say at 50°C .

Problem 9.26: A constant heat flux is provided over a cylinder of diameter 2.5 cm and water at a high pressure flows over it in an annulus between the cylinder and 5 cm dia pipe. Water enters at 120°C and is to be heated to 240°C . The flow rate is 6 kg/s. The heat flux is 8100 kW/m^2 . Determine the length required and also the temperature of the inner cylinder wall at the exit. The outer surface can be taken as insulated.

Solution: The mean temperature is $(120 + 240)/2 = 180^\circ\text{C}$

Considering property values at this temperature.

$$\rho = 889 \text{ kg/m}^3 \quad v = 0.173 \times 10^{-6} \text{ m}^2/\text{s}, \quad Pr = 1.044, \\ k = 0.6757 \text{ W/mK} \quad c = 4417 \text{ J/kg K} \quad D_h = D_o - D_i = 0.025 \text{ m}$$

$$\text{Velocity of flow} = \frac{6}{1000} \times \frac{4}{\pi (0.05^2 - 0.025)^2} = 4.074 \text{ m/s.}$$

The velocity and heat flow rate should be used to calculate the length.

Reynolds number

$$Re = 4.074 \times 0.025 / 0.173 \times 10^{-6} \\ = 588728 \quad \therefore \text{flow is turbulent}$$

Using the general equation:

$$Nu = 0.023 Re^{0.8} Pr^{0.4} = 964.9, \quad h = 26079 \text{ W/m}^2 \text{ K}$$

$$\text{Using} \quad Nu = \frac{(f/8) Re Pr}{1.07 + 12.7 (f/8)^{0.5} [Pr^{0.67} - 1]}$$

$$\text{and} \quad f = (1.82 \log Re - 1.64)^{-2} = 0.01274$$

$$Nu = 902$$

Taking the later value,

$$h = 24374 \text{ W/m}^2 \text{ K}$$

The length required can be determined using the heat flux

$$6 \times (240 - 120) 4417 = \pi \times 0.025 \times L \times 8100,000$$

$$\text{Length required} \quad \therefore L = 5 \text{ m}$$

The temperature difference determined using $h = 24379$

$$\text{Using } h \times \Delta T = q, \quad \therefore \Delta T = 332.3^\circ\text{C}$$

$$\text{wall temp. at exit} \quad = 240 + 332.3 = 572.3^\circ\text{C}$$

Problem 9.27: Dry air at a pressure of 8 bar and 20°C is chilled in an annulus between a 5 cm tube and 2.5 cm tube whose walls are kept at 0°C by evaporating refrigerant. The length is 6 m. Determine the exit temperatures for flow rates of

(i) 7.6 kg/hr

(ii) 75 kg/hr.

Solution: Considering property values at 10°C (8 bar)

$$\rho = 1.247 \times 8 \text{ kg/m}^3, \quad \mu = 17.65 \times 10^{-6} \text{ kg/ms}, \quad k = 0.02512 \text{ W/mK}$$

$$c = 1005 \text{ J/kg K} \quad Pr = 0.705, \quad \therefore \nu = 1.80 \times 10^{-6} \text{ m}^2/\text{s}$$

$$\mu \text{ at } 0^\circ\text{C} = 17.16 \times 10^{-6} \text{ kg/ms}$$

Reynolds should be found using the velocity and D_h

$$D_h = 0.05 - 0.025 = 0.025 \text{ m}$$

(i) Flow rate of 7.6 kg/hr

$$u = \frac{7.6}{3600 \times 1.247 \times 8} \times \frac{4}{\pi (0.05^2 - 0.025^2)} = 0.1437 \text{ m/s}$$

$$Re = \frac{0.1437 \times 0.025}{1.80 \times 10^{-6}} \\ = 1996$$

\therefore flow is laminar

Assuming fully developed flow $D_i/D_o = 0.5$.

$$Nu = 5.74 \text{ (from tables)} \quad \therefore \mathbf{h = 5.77 \text{ W/m}^2 \text{ K}}$$

$$\frac{7.6}{3600} \times 1005 \times (20 - T_{mo}) = \pi \times 0.025 \times 6 \times 5.77 \left(\frac{T_{mo} + 20}{2} - 0 \right)$$

$$\mathbf{T_{mo} = 4.38^\circ\text{C}}$$

Another trial with $T_m = (20 + 4.38)/2$ will improve the result. But this will be marginal.

(ii) Flow rate of 75 kg/hr

$$\text{Velocity} \quad u = \frac{75}{3600} \times \frac{1}{1.247 \times 8} \times \frac{4}{\pi (0.05^2 - 0.025^2)} = 1.4181 \text{ m/s}$$

$$\therefore \quad Re = \frac{1.4181 \times 0.025}{1.8 \times 10^{-6}} = 19696, \text{ flow is turbulent}$$

General correlations can be used with $D = D_h$

$$Nu = \frac{(f/8) Re Pr}{1.07 + 12.7 (f/8)^{0.5} [Pr^{0.67} - 1]} \left(\frac{\mu_m}{\mu_w} \right)^{0.25} \\ f = (1.82 \log Re - 1.64)^{-2} = 0.026$$

Substituting

$$\therefore \quad Nu = 50.84 \quad \therefore \mathbf{h = 51.09 \text{ W/m}^2 \text{ K}}$$

Using energy balance,

$$\therefore \quad \mathbf{T_{mo} = 5.39^\circ\text{C}}$$

Another trial can be done but the average value is very near the value chosen and hence only marginal improvement can be expected.

Problem 9.28: Ethylene glycol is cooled from 60°C to 40°C in a 30 mm dia tube, the tube wall temperature being maintained constant at 20°C. The average velocity at entry is 10 m/s. Determine the length required.

Solution: The average of bulk temperature is 50°C. The property values are

$$\begin{aligned}\rho &= 1094 \text{ kg/m}^3, & \mu_w &= 19.174 \times 10^{-6} \times 1116, & k &= 0.25765 \text{ W/mK} \\ c &= 2518 \text{ J/kg K} & Pr &= 72, & \nu &= 6.7165 \times 10^{-6} \text{ m}^2/\text{s}, & \mu_m &= \rho\nu \\ Re &= 10 \times 0.03/6.7165 \times 10^{-6} = 44666\end{aligned}$$

Flow is turbulent

Using the more recent equation

$$Nu = \frac{(f/8) Re Pr}{1.07 + 12.7 (f/8)^{0.5} [Pr^{0.67} - 1]} \left(\frac{\mu_m}{\mu_w} \right)^{0.25}$$

$$f = [1.82 \log Re - 1.64]^{-2} = 0.0215$$

Substituting

$$Nu = 552.5, \quad \therefore h = 4810 \text{ W/m}^2 \text{ K}$$

Using heat balance: ρ at 60°C = 1087 kg/m³

$$\frac{\pi \times 0.03^2}{4} \times 10 \times 1087 \times 2518 (60 - 40) = 4810 \times \pi \times 0.03 \times L(50 - 20)$$

$$\therefore \quad \mathbf{L = 28.45 \text{ m.}}$$

Problem 9.29: Liquid sodium potassium alloy (25 : 75) at 300°C is heated to 500°C in a tube of 6 m length and of diameter 0.05 m, using uniform heat flux. Determine the value of the average wall temperature and heat flux. Flow rate is 3.0 kg/s.

Solution: The property values are taken at 400°C, ($T_m = (300 + 500)/2$)

$$\rho = 775 \text{ kg/m}^3, \nu = 0.308 \times 10^{-6} \text{ m}^2/\text{s}, Pr = 0.0108, k = 22.1 \text{ W/mK}$$

$$c = 1000.6 \text{ J/kg K}$$

$$\begin{aligned}Re &= 4 G/\pi D\mu = 4 \times 3.0/\pi \times 0.05 \times 0.308 \times 10^{-6} \times 775.73 \\ &= 320043\end{aligned}$$

\therefore flow is turbulent

For constant heat flux for liquid metals the suitable correlation is

$$\begin{aligned}Nu &= 4.82 + 0.0185 (Re Pr)^{0.827} \\ &= 4.82 + 0.0185 (320043 \times 0.0108)^{0.827} = 20.44\end{aligned}$$

$$\therefore \quad \mathbf{h = 9034 \text{ W/m}^2 \text{ K}}$$

$$q \times \pi \times D \times L = mc \Delta T = 3 \times 1000.6 \times (500 - 300)$$

$$\therefore \quad q = 637 \text{ kW/m}^2$$

$$mc (T_{mo} - T_{mi}) = h \pi DL \Delta T$$

$$3 \times 1000.6 \times (500 - 300) = 9034 \times \pi \times 0.05 \times 6 \Delta T$$

$$\therefore \quad \Delta T = 70.51^\circ\text{C}$$

$$\therefore \quad \mathbf{\text{Average wall temperature} = (300 + 70.51 + 500 + 70.51)/2 = 470.51^\circ\text{C.}}$$

Another estimate is

$$Nu = 0.625 (Re Pr)^{0.4} = 16.26$$

$$\mathbf{h = 7190 \text{ W/m}^2 \text{ K}}$$

This is on the lower side.

Problem 9.30: *Liquid sodium potassium alloy (25:75) at 200°C is heated to 400°C in a pipe of 50 mm ID with a constant wall temperature of 600°C. Determine the length required if the flow rate is 3 kg/s.*

Solution: The property values are to be evaluated at $(200 + 400)/2 = 300^\circ\text{C}$

$$\rho = 799 \text{ kg/m}^3 \quad \nu = 0.366 \times 10^{-3} \text{ m}^2/\text{s}, \quad k = 22.68 \text{ W/mK},$$

$$c = 1038.3 \text{ J/kgK} \quad Pr = 0.0134$$

$$Re = 4 \text{ m}/\pi D\mu = 4 \times 3/\pi \times 0.05 \times 799 \times 0.366 \times 10^{-6}$$

$$= 261236, (2.61 \times 10^5), \text{ Turbulent}$$

For constant wall temperature

$$Nu = 5 + 0.025 [Re Pr]^{0.8} = 22.11$$

$$\therefore \mathbf{h = 10029 \text{ W/m}^2 \text{ K}}$$

Using energy balance

$$mc (T_{mo} - T_{mi}) = h \pi DL \left(T_w - \frac{T_{mo} + T_{mi}}{2} \right)$$

$$3 \times 1038.3 \times (400 - 200) = 10029 \times \pi \times 0.05 \times L \left(600 - \frac{400 + 200}{2} \right)$$

$$\therefore \mathbf{L = 1.32 \text{ m}}$$

Problem 9.31: *Compare the value of convective heat transfer coefficient for a circular pipe of diameter 5 cm with uniform wall temperature, with a square section of the same area. The fluid is air at an average bulk temperature of 40°C.*

The flow rate is 0.06 kg/s. The air heated.

Solution: The property values are:

$$\rho = 1.128 \text{ kg/m}^3, \nu = 16.96 \times 10^{-6} \text{ m}^2/\text{s}, Pr = 0.699$$

$$k = 0.02756 \text{ W/mK}, \quad c = 1005 \text{ J/kg K}$$

The value of Re for cylinder

$$= 4 \text{ m}/\pi D\mu = 4 \times 0.06/\pi \times 0.05 \times 1.128 \times 16.96 \times 10^{-6}$$

$$= 79865$$

\therefore Turbulent

$$Nu = 0.023 Re^{0.8} Pr^{0.4} (Pr^{0.4}\text{-heating})$$

$$= 166.5,$$

$$\therefore \mathbf{h = 91.77 \text{ W/m}^2 \text{ K}}$$

For square section: side a is calculated using

$$\frac{\pi D^2}{4} = a^2$$

$$\therefore a = \frac{\sqrt{\pi \times 0.05^2}}{2} = 0.0443 \text{ m}$$

$$D_h = \frac{4a^2}{4a} = a, u = 0.06 \times \frac{1}{1.128} \times \frac{1}{a^2} = 27.28 \text{ m/s}$$

$$Re = 27.28 \times 0.0443 / 16.96 \times 10^{-6} = 71284, \text{ Turbulent}$$

$$\therefore Nu = 0.023 Re^{0.8} Pr^{0.4} = 155.7, \mathbf{h = 96.8 \text{ W/m}^2 \text{ K}}$$

This comparison is for the same area and mass flow and so the velocity in the square section is the same. Use of non-circular section is not desirable in heat transfer or for construction purposes, but may be dictated by other considerations.

OBJECTIVE QUESTIONS

- 9.1** Choose the correct Statement in flow through pipes:
- In laminar flow, the exit Nusselt number in the fully developed condition is lower than at entry.
 - In laminar flow, the exit Nusselt number in the fully developed condition is higher than at entry.
 - In laminar flow, the Nusselt number remains constant.
 - In laminar flow the Nusselt at constant wall temperature is higher as compared to Nusselt at constant heat flux.
- 9.2** In flow through pipes for the same Reynolds number,
- The thermal entry length is longer for low Prandtl number fluids
 - The thermal entry length is longer for high Prandtl number fluids
 - Prandtl number does not influence the thermal entry length.
 - The thermal entry length effect is more pronounced only in turbulent flow.
- 9.3**
- Flow of air can be considered as hydrodynamic layer fully developed and thermal layer developing
 - Flow of oils can be considered as *HFD* and thermal layer developing
 - Flow of liquid metals can be considered as Hydrodynamic layer fully developed and thermal layer developing
 - Flow of water can be considered as hydrodynamic layer fully developed and thermal layer developing.
- 9.4** In pipe flow, the average convection coefficient
- will be higher in rough pipes
 - will be higher in smooth pipes
 - Roughness affects only pressure drop and not the convection coefficient
 - Only Reynolds and Prandtl numbers influence the convection coefficient and not the roughness.
- 9.5** In pipe flow:
- for constant heat flux, the initial length is more effective compared to the end length
 - for constant wall temperature the initial length are less effective compared to the end lengths
 - In fully developed flow and constant wall temperature, the effectiveness increases with length
 - In fully developed flow and constant heat flux, the effectiveness decreases with length.
- 9.6**
- In smooth pipes a laminar flow remains laminar all through the length
 - In smooth pipes a laminar flow turns turbulent after a certain length
 - The temperature profile in fully developed layer remains the same
 - The velocity profile in a pipe flow is established at the entry.

Answers

1. (a) 2. (b) 3. (c) 4. (a) 5. (a) 6. (a).

EXERCISE PROBLEMS

- 9.1 Show that $(1.2 \log Re - 1.64)^{-2} = 4 (1.58 \ln Re - 3.28)^{-2}$
- 9.2 Show that
- $$\sqrt{2/f} = 2.46 \ln (Re \cdot \sqrt{f/2} + 0.292) \text{ and } \sqrt{1/4 f} = 2 \log [Re \sqrt{4 f}] - 0.8.$$
- 9.3 For air flow at constant wall temperature of 100°C and bulk mean temperature of 40°C through a 4 cm ID pipe, determine the value of average convection coefficients for a length of 1 m if the entrance velocity is (i) 0.6 m/s, (ii) 0.8 m/s, (iii) 10 m/s.
- 9.4 For air flow at a constant wall temperature of 100°C and average bulk temperature of 40°C through a 4 cm ID pipe, determine the value of average convection coefficient for an inlet velocity of 0.8 m/s if the pipe length is (i) 1 m, (ii) 3 m, (iii) 10 m.
- 9.5 Air is to be heated at a rate of 5 kg/hr through a 40 mm ID pipe from 20°C to 60°C, the pipe wall being maintained at 100°C by condensing steam. Determine the length required.
- 9.6 5m length of 50 mm dia pipe has its wall maintained at 100°C. Air at 20°C enters the pipe. If the exit temperature of air is to be 60°C, determine the air flow rate.
- 9.7 Air at 20°C is to be heated to 40°C using constant heat flux over a pipe of 40 mm ID at a flow rate of 5 kg/hr. Determine the pipe length required and also the average pipe wall temperature. The heat flux is 500 W/m².
- 9.8 100 kg of water per hour is to be heated by flow through a 2.5 cm ID pipe from 20°C to 60°C. The pipe wall is at 100°C. Determine the length of pipe required. Also determine the mean temperature at half this length.
- 9.9 Water is to be heated from 20°C at a rate of 500 kg/hr by flow through a pipe of 25 mm ID with a wall temperature of 100°C. Determine the length required. Also determine the temperature at half this length.
- 9.10 Water flows at a rate of 500 kg/hr through a pipe uniformly heated. It is heated from 20°C to 60°C through a length of 5.6 m. The pipe diameter is 25 mm. Determine the average pipe temperature.
- 9.11 Water flows at a rate of 500 kg/hr through a 40 mm dia pipe with uniform wall heat flux and is heated from 20°C to 40°C over a length of 8 m. Determine the wall temperature at the exit.
- 9.12 Engine oil is cooled from 120°C by flow through a tube of 5 mm ID, with uniform wall temperature of 40°C at a rate of 0.08 kg/s. Estimate the temperature of the oil at the outlet for lengths of 1 m, 5 m and 10 m.
- 9.13 Furnace oil is to be heated from 30°C to 70°C for proper atomisation. Steam is used at 110°C for the heating. If the flow rate through a 15 mm ID pipe is 40 kg/hr, determine the length of pipe required. (use the property values of engine oil for the estimate).
- 9.14 Liquid ammonia flows in a duct of diameter 2 cm. The average bulk temperature is 20°C. The duct wall is at 50°C. If fully developed laminar flow prevails, determine the heat transfer per m length.
- 9.15 Liquid refrigerant R12 ($CCl_2 F_2$) flows through a 4 mm dia tube at 30°C, the Reynolds number being 1000. Calculate the length necessary to cool the fluid to 20°C. The wall temperature is 10°C.
- 9.16 Air at 14 atm pressure flows through a 75 mm ID pipe at a rate of 0.55 kg/s, the duct wall being at 20°C. The average air temperature at inlet is 60°C. The duct is 6 m long. Estimate the temperature of air as it leaves, the duct.

- 9.17 Air at 0.9 atm and 30°C flows through a 10 mm dia pipe at a rate of 4.2×10^{-4} kg/s. Constant heat flux is maintained over the wall surface. The tube wall temperature is 50°C above the average fluid temperature. For a tube length 0.5 m, determine the outlet temperature of the air.
- 9.18 Water at 10°C flows with an average velocity of 1 m/s through a pipe of 20 mm dia and 1 m length, with uniform wall heat flux of 100 kW/m². Determine the average wall temperature.
- 9.19 Water is heated in a triangular tube of 2 cm side from 10°C to 50°C. The tube wall is at 80°C. The flow velocity is 1.1 m/s. Determine the length required.
- 9.20 A square duct of 25 cm side carries cool air at 10°C over length 20 m. The average velocity at entrance is 1.5 m/s. The duct wall is at 25°C. Determine the outlet temperature of the air.
- 9.21 A rectangular duct of 15 cm × 30 cm section carries cool air at 10°C over a length of 20 m. The average velocity at entrance is 1.5 m/s. The duct wall is at 25°C. Determine the outlet temperature of the air.
- 9.22 Water flows through the annular area formed between a 2 cm and a 4 cm circular pipes (coaxial) at a velocity of 2 m/s. The outside surface is insulated. The inside surface is at 80°C. Water enters at 20°C. Determine the outlet temperature of the water if the length is 4 m.
- 9.23 Oil at 160°C is to be cooled to 80°C by flow in an annulus formed between 15 mm and 30 mm tubes. The flow velocity is 0.8 m/s. The inside tube wall is maintained at 30°C by larger quantity of water flow. Determine the length required.
- 9.24 In a heat exchanger 4 cm dia pipes of 3 m length are used to heat air with a flow rate of 0.02 kg/s. The air inlet is at 30°C. The tube wall temperature is 200°C. Determine the outlet temperature of the air. A proposal is made to use 2 cm dia pipes with mass flow per unit sectional area remaining the same. Determine the exit temperature of air in this case.
- 9.25 Water flows through a pipe with a Reynolds number of 2000. Compare the values of convection coefficients for (i) both boundary layers developing together and (ii) hydrodynamic layer fully developed and thermal layer developing.
- 9.26 Water flows in a rough pipe with a relative roughness 0.004. The pipe diameter is 5 cm and the length is 3 m. Water at 20°C enters at a flow velocity of 1.2 m/s. Determine the outlet temperature. Also determine the pressure drop over this length.
- 9.27 Water flows in a pipe of 5 cm dia and 3 m length with an inlet velocity of 1 m/s. The pressure drop was observed as 8000 N/m². The water enters at 60°C. The tube wall is at 15°C. Determine the water outlet temperature.
- 9.28 An air conditioning duct has a section of 45 cm × 90 cm and the average velocity of air is 7 m/s and the air entry is at 10°C. The wall is at 20°C. Determine the heat gain over a length of 1 m.
- 9.29 A tubular heat exchanger has a total mass flow of 10,000 kg/hr. The maximum velocity is to be limited to 1 m/s. The water is heated from 30°C to 35°C with a tube wall temperature of 45°C. Keeping the length of the tube as the influencing parameter compare 37.5 mm and 50 mm ID tubes.

10

NATURAL CONVECTION

10.0 INTRODUCTION

In the previous chapters, we discussed heat transfer under forced flow conditions. Though it is desirable to use forced convection as higher rates of heat transfer coefficient may be obtained by this method, leading to compact equipments, it is not possible and sometimes not desirable to use forced convection in the design of several equipments. In these situations, free or natural convection has to be adopted in designs. Medium size electrical transformers erected in open space cannot use forced convection. So also steam radiators used for comfort heating.

When a surface is maintained in still fluid at a temperature higher or lower than that of the fluid, a layer of fluid adjacent to the surface gets heated up or cooled. A density difference is created between this layer and the still fluid surrounding it. The density difference introduces a buoyant force causing flow of the fluid near the surface. Heat transfer under such conditions is known as natural or free convection. Usually a thin layer of flowing fluid forms over the surface. The fluid beyond this layer is essentially still, and is at a constant temperature of T_∞ .

The flow velocities encountered in free convection is lower compared to flow velocities in forced convection. Consequently the value of convection coefficient is lower, generally by one order of magnitude. Hence for a given rate of heat transfer larger area will be required. As there is no need for additional devices to force the fluid, this mode is used for heat transfer in simple devices as well as for devices which have to be left unattended for long periods.

The heat transfer rate is calculated using the general convection equation given below:

$$Q = h A (T_w - T_\infty) \quad \dots(10.1)$$

Q —heat transfer in W , h —convection coefficient – W/m^2K .

A —area in m^2 , T_w —surface temperature

T_∞ —fluid temperature at distances well removed from the surface (here the stagnant fluid temperature).

The basic nature of flow and various correlations available for the calculation of convection coefficient for different flow situations and geometries are discussed in this chapter.

Boundary layer theory is used for the analysis of natural convection also. The example 10.1 brings out the difference in area requirements between natural and forced convection conditions.

Example 10.1: A transformer of 50 kW capacity dissipates by natural convection 1.20 kW of heat generated inside it. If the value of convective heat transfer coefficient is 5 W/m^2K , and if the temperature of the unit should not exceed 30°C above the ambient level, determine the area required. In case of forced convection $h = 50 W/m^2K$. Determine the area under this condition.

Solution: Equation 10.1 is suitable for the calculation

$$Q = h A (T_w - T_\infty)$$

or

$$A = Q/h (T_w - T_\infty)$$

Substituting $Q = 1200 \text{ W}$, $h = 5 \text{ W/m}^2\text{K}$, $(T_w - T_\infty) = 30^\circ\text{C}$ the area is obtained as 8 m^2 . This is a fairly large area and hence the equipment has to be bulky. Under **forced convection**, the area required will be 0.8 m^2 .

The methods of analysis of the boundary layer and the basic physical laws applied in the analysis are the same as in forced convection. The exception is that buoyant forces are to be taken into account in the formulation of momentum equation. The boundary conditions are also different. The velocity is zero both at the surface and also at the edge of boundary layer, the bulk fluid remaining still.

Analytical methods using exact differential equations as well as approximate integral methods can be used to study simple cases. However these methods are useful mainly in the validation of experimental results. The dimensional analysis method is useful in identifying dimensionless groups that can be used in interpreting the experimental results. Some of the derivations are given under solved problems.

For design situations, correlations obtained from experimental results using the identified dimensionless numbers are used more often. These correlations are constantly reviewed and improved by researchers.

10.1 BASIC NATURE OF FLOW UNDER NATURAL CONVECTION CONDITIONS

The layer of fluid near the surface gets heated or cooled depending on the temperature of the solid surface. A density difference is created between the fluid near the surface and the stagnant fluid. This causes as in a chimney a flow over the surface.

Similar to forced convection a thin boundary layer is thus formed over the surface. Inertial, viscous and buoyant forces are predominant in this layer. Temperature and velocity gradients exist only in this layer. The velocity and temperature distributions in the boundary layer near a hot vertical surface are shown in Fig. 10.1.

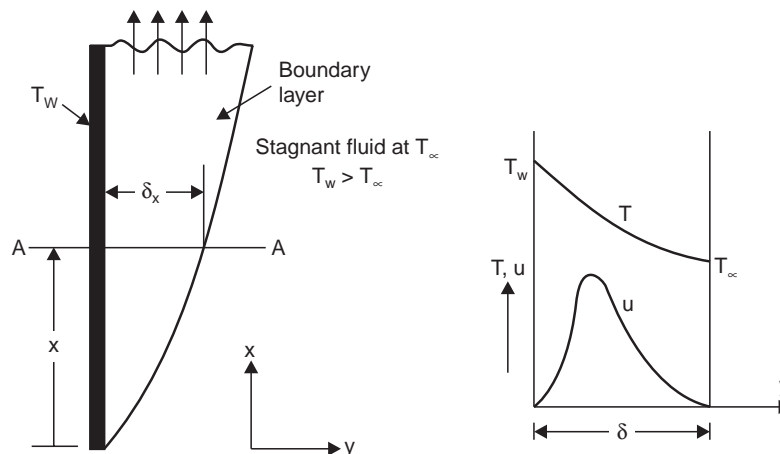


Fig. 10.1. Velocity and temperature distributions in the boundary layer.

The velocity is zero at the surface and also at the edge of the boundary layer. As in the case of forced convection the temperature gradient at the surface is used in the determination of heat flow (heat is transferred at the surface by conduction mode).

$$h = -k \left. \frac{\partial \left(\frac{T - T_\infty}{T_w - T_\infty} \right)}{\partial \left(\frac{y}{\delta} \right)} \right|_{y=0} .$$

The temperature gradient at the surface can be evaluated using either the solution of differential equations or by assumed velocity and temperature profiles in the case of integral method of analysis. This leads to the identification of Nusselt number and Prandtl number as in the case of forced convection. These numbers have the same physical significance as in forced convection.

The buoyant forces play an important role in this case, in addition to the viscous and inertia forces encountered in forced convection. This leads to the identification of a new dimensionless group called Grashof number.

Grashof number is defined by equation 10.2

$$Gr = \frac{g\beta (T_w - T_\infty) \cdot L^3}{\nu^2} \quad \dots(10.2)$$

where β is the coefficient of cubical expansion having a dimension of $1/\text{Temperature}$. For gases $\beta = 1/T$ where T is in K . For liquids β can be calculated if variation of density with temperature at constant pressure is known. The other symbols carry the usual meaning.

The physical significance of this number is given by,

$$Gr = \frac{\text{Inertia force}}{\text{Viscous force}} \cdot \frac{\text{Buoyant force}}{\text{Viscous force}} \quad \dots(10.3)$$

The flow turns turbulent for value of $Gr Pr > 10^9$. As in forced convection the microscopic nature of flow and convection correlations are distinctly different in the laminar and turbulent regions. The example 10.2 illustrates the statement of equation 10.3.

Example 10.2: Check the dimensions for Grashof number and rearrange it to express it as ratio of forces as noted in equation 10.3.

$$Gr = \frac{g\beta (T_w - T_\infty) \cdot L^3}{\nu^2} \rightarrow \frac{m}{s^2} \cdot \frac{1}{K} \cdot \frac{Ks^2}{m^4} \cdot m^3 = 1$$

Solution: So the group is dimensionless

$$\text{Viscous force} \quad \tau = \mu \frac{du}{dy} \rightarrow \mu \cdot \frac{u}{y}$$

Inertia force is proportional to ρv^2 or ρu^2

Buoyant forces are proportional to $d\rho \cdot dH \cdot g$

the group $\frac{g\beta (T_w - T_\infty) \cdot L^3}{\nu^2}$ is rearranged as, $\nu = \mu/\rho$

$$\begin{aligned} &= g\beta \frac{\rho u^2}{\mu^2} \cdot (T_w - T_\infty) \frac{\rho}{u^2} \cdot L^3 \\ &= \left(\frac{\rho u^2}{\mu u/L} \right) \left(\frac{1}{(\mu u/L)} \cdot g\beta \rho (T_w - T_\infty) \cdot L \right) = \left[\frac{\text{Inertia force}}{\text{Viscous force}} \right] \left[\frac{\text{buoyant force}}{\text{Viscous force}} \right] \end{aligned}$$

as $\rho \beta (T_w - T_\infty) = d\rho$ $L = dH$
 so the expression $g \beta \rho (T_w - T_\infty) L$ represents buoyant force.

Example 10.3: A vertical plate is maintained at 40°C in 20°C still air. Determine the height at which the boundary layer will turn turbulent if turbulence sets in at $Gr Pr = 10^9$. Repeat the problem for water flow at film temperature of 30°C. This illustrates the difference between gases and liquids.

Solution: The property values of air should be evaluated at T_f , $(40 + 20)/2 = 30^\circ\text{C}$

The property values are read from tables,
 $\nu = 16 \times 10^{-6} \text{ m}^2/\text{s}$ $\rho = 1.165 \text{ kg/m}^3$, $Pr = 0.701$

$$\beta = \frac{1}{273 + 30} = \frac{1}{303}$$

The flow becomes turbulent when $Gr \cdot Pr = 10^9$

$$\therefore 10^9 = 9.81 \times \frac{1}{303} \times \frac{(40 - 20)x^3}{(16 \times 10^{-6})^2} \times 0.701$$

solving $x = 0.8262 \text{ m}$. The flow turns turbulent at this height

For water the property value at 30°C are

$$\nu = 0.8315 \times 10^{-6} \text{ m}^2/\text{s}, Pr = 5.68, \beta = 0.31 \times 10^{-3}/\text{K}$$

Turbulence sets in when $Gr Pr = 10^9$

$$10^9 = 9.81 \times 0.31 \times 10^{-3} \times \frac{(40 - 20)x^3}{(0.8315 \times 10^{-6})^2} \cdot x^3 \cdot 5.68$$

solving $x = 0.126 \text{ m}$, as against 0.8262 m.

in water turbulence sets in at a much shorter distance.

due to higher inertia which over comes viscous forces quickly.

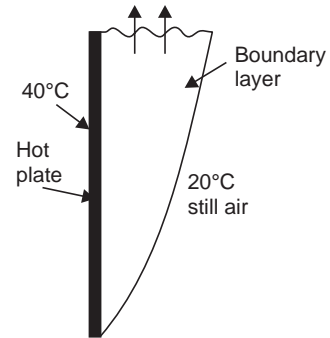


Fig. E.10.3

10.2 METHODS OF ANALYSIS

Derivation of continuity and momentum equations. Consider the element in the boundary layer of size $dx dy$ 1 as shown in Fig. 10.2.

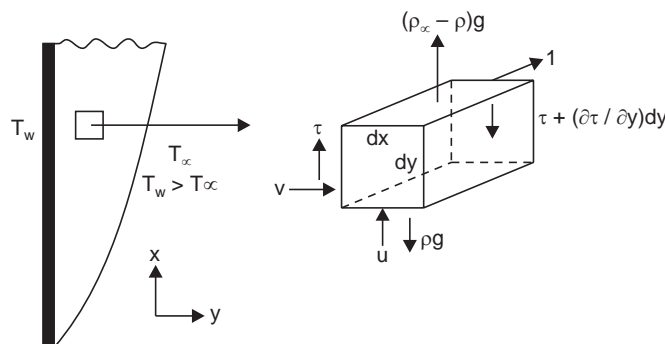


Fig. 10.2. Forces on an element in the boundary layer.

The **continuity equation** is found identical to that in forced convection

$$u \frac{\partial u}{\partial x} + v \frac{\partial v}{\partial y} = 0 \quad \dots(10.4)$$

In the momentum equation, an additional force term is involved namely the buoyant force term given by $g \beta (T - T_\infty)$.

The **resulting momentum equation** is

$$u \frac{\partial u}{\partial x} + v \frac{\partial v}{\partial y} = \nu \frac{\partial^2 u}{\partial y^2} + g \beta (T - T_\infty) \quad \dots(10.5)$$

where β is the coefficient of cubical expansion (equal to $1/T$ for gases— T in absolute units).

These two equations are to be solved to obtain the velocity distribution and hydrodynamic boundary layer thickness, the boundary conditions being

$$u = 0 \text{ at } y = 0 \text{ and } u = 0 \text{ at } y = \delta \text{ (boundary layer thickness)}$$

The **energy equation** is the same as that in forced convections, with no additional terms involved.

$$u \frac{\partial T}{\partial x} + v \frac{\partial T}{\partial y} = \alpha \frac{\partial^2 T}{\partial y^2} \quad \dots(10.6)$$

The boundary conditions are $T = T_w$ at $y = 0$ and $T = T_\infty$ at $y = \delta$

An idea about the dimensionless numbers correlating the phenomenon can be obtained by non-dimensionalising these equations. In the Natural convection no quantity like free stream velocity u_∞ is encountered. So a reference velocity term u_x is introduced. The following definitions are used for nondimensionalising these equations (also refer Chapter 7).

$$x^* = x/L, y^* = y/L, u^* = u/u_x, v^* = v/u_x$$

$$\text{and } T^* = \frac{T - T_\infty}{T_w - T_\infty} \quad \dots(10.7)$$

The **momentum equation reduces to**

$$u^* \frac{\partial u^*}{\partial x^*} + v^* \frac{\partial v^*}{\partial y^*} = \frac{g \beta (T_w - T_\infty) L}{u_x^2} T^* + \frac{1}{Re} \cdot \frac{\partial^2 u^*}{\partial y^{*2}} \quad \dots(10.8)$$

The **energy equation reduces to**

$$u^* \frac{\partial T^*}{\partial x^*} + v^* \frac{\partial T^*}{\partial y^*} = \frac{1}{Re Pr} \cdot \frac{\partial^2 T^*}{\partial y^{*2}} \quad \dots(10.9)$$

Where $Re = \text{Reynolds number} = u_x L / \nu$

Three dimensionless parameters identified in the process are Re , Pr and

$$\frac{g \beta (T_w - T_\infty) L}{u_x^2}$$

As u_x cannot be determined it is found convenient to eliminate the quantity by multiplying this term with Re^2

$$\frac{g \beta (T_w - T_\infty) L}{u_x^2} \cdot \frac{u_x^2 L^2}{\nu^2} = \frac{g \beta (T_w - T_\infty) L^3}{\nu^2} \quad \dots(10.10)$$

This group can be recognised as Grashof number already defined.

The heat conducted at the fluid surface is equal to the heat convected to the fluid. This principle leads to the formulation of Nusselt number.

$$-k \cdot \frac{\partial T}{\partial y} \Big|_{y=0} = h(T_w - T_\infty)$$

$\frac{\partial T}{\partial y}$ is solved for by using the energy equation involving u and T . The solution for u is obtained from the momentum and continuity equations. This analysis determines that the heat transfer correlations for natural convection of the form

$$Nu = f(Gr, Pr) \quad \dots(10.11)$$

The dimensional analysis method also confirms this conclusion (see solved problem 7.17).

10.3 INTEGRAL METHOD

Continuity, momentum and energy equations can be also obtained in the integral form considering **volume ABCD** as shown in Fig. 10.3 the volume extending beyond the boundary layer (see also chapter 7 on forced convection section 7.8 and solved problem 7.22)

The momentum integral can be written as

$$\frac{d}{dx} \left[\int_0^\delta u^2 dy \right] = -v \frac{\partial u}{\partial y} \Big|_{y=0} + g \beta \int_0^\delta (T - T_\infty) dy$$

The energy integral can be written as

$$\frac{d}{dx} \left[\int_0^\delta u(T - T_\infty) dy \right] = -\alpha \frac{\partial T}{\partial y} \Big|_{y=0}$$

The integration limits can be restricted to δ as no contribution to energy or momentum flow beyond $y = \delta$ exists. The integral formulations are similar to those in forced convection. The integral equations can be solved only if relations like $u = u(y)$ and $T = T(y)$ are available. A set of suitable **distributions satisfying the boundary conditions are :**

$$\frac{u}{u_x} = \frac{y}{\delta} \left(1 - \frac{y}{\delta} \right)^2 \quad \dots(10.12 (a))$$

and
$$\frac{T - T_\infty}{T_w - T_\infty} = \left(1 - \frac{y}{\delta} \right)^2 \quad \dots(10.12 (b))$$

The boundary conditions $u = 0$ at $y = 0$ and $y = \delta$, $T = T_w$ at $y = 0$ and $T = T_\infty$ at $y = \delta$ are satisfied by these equations.

From such analysis the local boundary layer thickness in laminar flow is obtained as

$$\delta_x = \frac{3.93 x (0.952 + Pr)^{0.25}}{Gr_x^{0.25} Pr^{0.5}} \quad \dots(10.13)$$

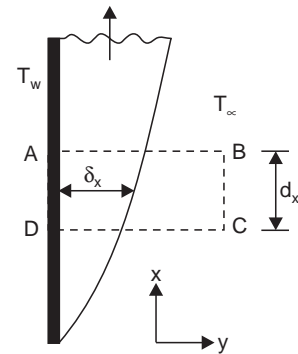


Fig. 10.3. Elemental volume for integral analysis.

$$-kA \left. \frac{dT}{dy} \right|_{y=0} = hA (T_w - T_\infty)$$

$$\text{From (10.2 (b)), } \left. \frac{dT}{dy} \right|_{y=0} = -\frac{2}{\delta} (T_w - T_\infty)$$

$$\therefore \frac{h}{k} = \frac{2}{\delta} \quad \text{or} \quad Nu_x = \frac{hx}{k} = \frac{2x}{\delta}$$

Substituting in (10.13), we get (10.14).

$$\text{and} \quad Nu_x = \frac{0.508 Pr^{0.5} Gr_x^{0.25}}{(0.952 + Pr)^{0.25}} \quad \dots(10.14)$$

The average value upto L works out as

$$\bar{Nu} = (4/3) Nu_L \quad \dots(10.15)$$

($x^{3/4}$ is involved in the integration)

Note that this is different from the correlation in forced convection over flat plate, where $\bar{Nu} = 2 Nu_L$. ($x^{1/2}$ is involved in the integration)

The same method applied to turbulent flow with the velocity and temperature variations as below leads to the boundary layer thickness for turbulent region as in equation (10.17).

The **velocity distribution and temperature distribution in the turbulent region** is assumed as

$$\frac{u}{u_x} = 1.862 \left(\frac{y}{\delta} \right)^{1/7} \left(1 - \frac{y}{\delta} \right)^4 \quad \dots(10.16 (a))$$

$$\text{and} \quad \frac{T - T_\infty}{T_w - T_\infty} = \left(1 - \frac{y}{\delta} \right)^{1/7} \quad \dots(10.16 (b))$$

$$\text{This leads to} \quad \delta_{\text{turbulent}} = \frac{0.565 x (1 + 0.494 Pr^{2/3})}{Gr^{0.1} Pr^{8/15}} \quad \dots(10.17)$$

Equation (10.14) and (10.17) form the basis for correlations of experimental results in free convection. For design purposes correlations have been formulated using experimental results and these will be discussed in the next sections.

Example 10.4: Illustrates the values of heat transfer coefficient in the laminar region for a gas and a liquid. Note the large difference. For the flows in example 10.3 determine the value of boundary layer thickness and average convection coefficient at the location where flow turns turbulent.

Solution: Air: The property values required are: $k = 0.02675$ W/mK, $Pr = 0.701$

$$\delta_x = 3.93 x [0.952 + Pr]^{0.25} / Gr^{0.25} Pr^{0.5}, \quad Gr Pr = 10^9 \quad \dots(10.17(a))$$

$$\therefore Gr = 10^9 / Pr = 10^9 / 0.701 = 1.4265 \times 10^9$$

$$x = 0.8262 \text{ m (example 10.3)}$$

Substituting is (a)

$$\therefore \delta_x = 0.0226 \text{ m or } 22.6 \text{ mm}$$

$$Nu_x = \frac{0.508 Pr^{0.5} Gr^{0.25}}{(Pr + 0.952)^{0.25}} = 72.9$$

$$h_x = \frac{Nu_x \times k}{x} = \frac{72.9 \times 0.02675}{0.8262} = 2.36 \text{ W/m}^2 \text{ K}$$

$$\bar{h} = \frac{4}{3} h_L = 3.15 \text{ W/m}^2 \text{ K}$$

Water: $Gr = 10^9/Pr = 10^9/5.68, k = 0.6129 \text{ W/mK}, Pr = 5.68$

$$Gr = 1.76 \times 10^8$$

$$x = 0.126 \text{ m (example 10.3)}$$

$$\delta_x = \frac{3.93 x 0.126 [0.952 + 5.68]^{0.25}}{(1.76 \times 10^8)^{0.25} (5.68)^{0.5}} = 2.89 \times 10^{-3} \text{ m} = 2.89 \text{ mm}$$

$$Nu_x = \frac{0.508 \times 5.68^{0.5} [1.76 \times 10^8]^{0.25}}{(0.952 + 5.68)^{0.25}} = 86.9$$

$$h_x = \frac{86.9 \times 0.6129}{0.126} = 422.7 \text{ W/m}^2 \text{ K},$$

$$\bar{h} = \frac{4}{3} h_L = 563.6 \text{ W/m}^2 \text{ K}.$$

Example 10.5: Illustrates the variation of boundary layer thickness as well as the variation of local and average heat transfer coefficients. A vertical plate maintained at 40°C is placed in still air at 20°C. The plate is 0.80 m high and 1 m wide. Tabulate the values of δ_x and h_x at 0.2 m intervals. Also determine the heat input required to maintain the plate at 40°C.

Solution: The property values are to be evaluated at 30°C.

$$\rho = 1.165, \nu = 16 \times 10^{-6} \text{ m}^2/\text{s}, Pr = 0.701, k = 0.02675 \text{ W/mK}, \beta = 1/303,$$

$$Gr_x = \frac{g\beta(T_w - T_\infty)x^3}{\nu^2} = \frac{9.81}{303} \times \frac{20}{(16 \times 10^{-6})^2} \cdot x^3 = 2.53 \times 10^9 \cdot x^3$$

$$\delta_x \frac{3.93 x [0.952 + Pr]^{0.25}}{Gr_x^{0.25} Pr^{0.5}} = 5.32 x / Gr_x^{0.25}$$

$$Nu_x = \frac{0.508 \cdot Pr^{0.5} Gr_x^{0.25}}{[0.952 + Pr]^{0.25}} = 0.3751 \cdot Gr_x^{0.25}$$

$$h_x = 0.3751 \frac{Gr_x^{0.25}}{x} \times 0.02675 = 0.010034 \cdot Gr_x^{0.25}/x$$

$$\bar{h}_L = \frac{4}{3} h_L$$

The values calculated are given below:

Distance, m	Gr	δ_x (mm)	Nu_x	h_x	\bar{h} W/m ² K
0.2	2.024×10^7	15.871	25.16	3.365	4.49
0.4	1.619×10^8	18.874	42.31	2.83	3.77
0.6	5.463×10^8	20.887	57.35	2.56	3.41
0.8	1.295×10^9	22.445	71.16	2.38	3.17

The heat input required for maintaining the plate at 40°C on one side is

$$Q = hA \Delta T = 3.17 \times 0.8 \times 1 \times (40 - 20) \text{ W} = 50.72 \text{ W}$$

on both sides

$$Q = 101.44 \text{ W.}$$

10.4 CORRELATIONS FROM EXPERIMENTAL RESULTS

In Natural convection also most of the correlations used in design have been formulated from experimental results. The parameters used are the three dimensionless numbers, Nu , Pr and Gr . A plot of Nu against $(Gr Pr)$ on log-log scale results in curves as shown in Fig. 10.4. This curve has been divided into a number of straight lines in some cases and just two straight lines in some cases.

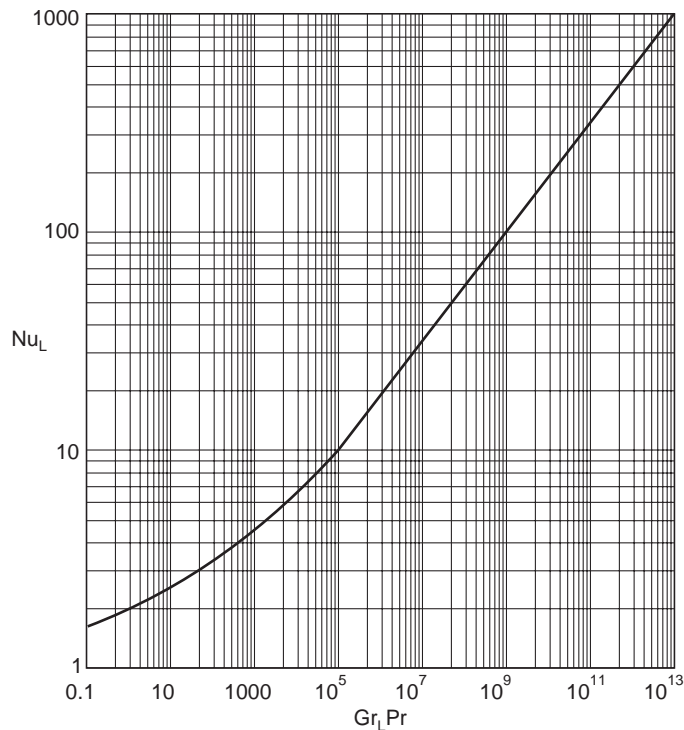


Fig. 10.4. Free convection experimental results.

For the average Nusselt number a correlation of the form given in 10.18 below is found suitable

$$Nu = C (Gr Pr)^n \quad \dots(10.18)$$

The values of C and n for different configurations and selected ranges of parameters is given in table 10.1. These are for constant wall temperature conditions. The property values are evaluated at the film temperature of

$$T_f = (T_w + T_\infty)/2$$

The product $Gr Pr$ is known as Rayleigh number (Ra)

Table 10.1. Values of C and n in the equation $Nu = C (Gr Pr)$ in natural convection

<i>Geometry</i>	<i>year of publication</i>	<i>Application range of values of $Gr Pr$</i>	<i>C</i>	<i>n</i>	
Vertical planes and cylinders with $D > 35 Gr_L^{0.25}$ Characteristic dimension— L Preferred eqn. Horizontal cylinder	1954	10^4 — 10^9	0.59	0.25	
	1951	10^9 — 10^{13}	0.021	0.4	
	1968	10^9 — 10^{13}	0.1	0.333	
	1954	10^4 — 10^9	0.53	0.25	
	1954	10^9 — 10^{12}	0.13	0.33	
	Alternate	1975	10^2 — 10^4	0.85	0.188
	Characteristic dimension— D —	1975	10^4 — 10^7	0.480	0.25
	1975	10^7 — 10^{12}	0.125	0.33	
Vertical cylinder $D = H$	1983	10^4 — 10^6	0.775	0.21	
Horizontal plate -different shapes (characteristic dimension, $L = a$ for square, $L = (a + b)/2$ for rectangle, $0.9 D$ for cylinder and $L = \text{Area/perimeter}$ for other shapes) upper surface hot or lower surface cooled Lower surface heated	1972	2×10^4 — 8×10^6	0.54	0.25	
	1972	8×10^6 — 10^{11}	0.15	0.33	
	1972	10^5 — 10^{11}	0.27	0.25	
Irregular solids characteristic length = distance fluid particle travels in the boundary layer	1973	10^4 — 10^9	0.52	0.25	

Majority of practical cases can be solved using the listed correlations. However it may be noted that it does not cover all situations.

Examples 10.6 to 10.12 illustrate the application of the above correlations. Note the difference in values of heat transfer coefficient for the same situation, using different correlations applicable in the same range of $Gr Pr$.

Example 10.6: A vertical plate 0.80 m high and 1 m wide is maintained at 35°C in still air at 25°C. Determine the value of average convection coefficient using correlation given in table 10.1 and compare with the answer of example 10.5.

Solution: The property values are evaluated at $(25 + 35)/2 = 30^\circ\text{C}$ with usual units

$$\rho = 1.165 \quad \nu = 16 \times 10^{-6} \quad Pr = 0.701 \quad k = 0.02675, \quad \beta = 1/303$$

$$Gr = 9.81 \times \frac{1}{303} \cdot \frac{(35 - 25)0.8^3}{(16 \times 10^{-6})^2} = \mathbf{0.6475 \times 10^9}$$

$$\text{From Table 10.1,} \quad C = 0.59, \quad n = 0.25$$

$$\therefore \quad Nu = 0.59 (Gr Pr)^{0.25} = 86.12$$

$$\therefore \quad \mathbf{h = 2.88 \text{ W/m}^2 \text{ K}} \text{ (about 3.2, in example 10.5).}$$

Example 10.7: A Vertical plate 4 m high and 1 m wide is maintained at 60°C in still air at 0°C. Determine the value of convection coefficient.

Solution: The average value of temperature = $(0 + 60)/2 = 30^\circ\text{C}$. Property values from 10.6 can be used.

$$Gr = 9.81 \times \frac{1}{303} \cdot \frac{(60 - 0) \times 4^3}{(16 \times 10^{-6})^2} = \mathbf{4.86 \times 10^{11}}$$

$$\text{From table 10.1} \quad C = 0.021, \quad n = 0.4$$

$$Nu = 0.021 (Gr Pr)^{0.4} = 861, \quad \mathbf{h = 5.76 \text{ W/m}^2 \text{ K}}$$

The alternate set of values are

$$C = 0.1, \quad n = 0.333$$

$$\text{using these values,} \quad Nu = 698.25 \quad \mathbf{h = 4.67 \text{ W/m}^2 \text{ K}}$$

There is a variation of 20–25%. The literature indicates the later correlation is more desirable. So the value of $h = 4.67 \text{ W/m}^2 \text{ K}$ is more suitable.

Later we shall see some more correlations also for this range.

Example 10.8: Check above what diameters these correlations used in examples 10.6 and 10.7 can be used for vertical cylinders.

Solution: The condition is $D \geq \frac{35}{Gr^{0.25}}$

$$\text{For example (10.6),} \quad Gr = 0.6475 \times 10^9$$

$$\therefore \quad D \geq 0.22 \text{ m}$$

$$\text{For example (10.7)} \quad Gr = 4.86 \times 10^{11}$$

$$\therefore \quad D \geq 0.042 \text{ m}$$

For large values of Gr, even small dia cylinders can be considered as vertical plate.

Example 10.9: A plate heater with graded heat flux so that the plate temperature remains constant is used to heat water in a large tank. The plate is $0.6 \text{ m} \times 0.30 \text{ m}$ with the longer side vertical. The plate temperature is 60°C while the water temperature is 20°C . Determine the value of convection coefficient.

Solution: The film temperature is $(60 + 20)/2 = 40^\circ\text{C}$

Property values are with usual units

$$\rho = 995, \quad \nu = 0.657 \times 10^{-6} \text{ m}^2/\text{s}, \quad Pr = 4.34, \quad k = 0.628, \quad \beta = 0.41 \times 10^{-3}$$

$$Gr = \frac{9.81 \times 0.41 \times 10^{-3} (60 - 20) \times 0.6^3}{(0.657 \times 10^{-6})^2} = 8.05 \times 10^{10}$$

so the flow is turbulent.

Two correlations are possible and values of h are (Table 10.1)

$$Nu = 0.021 (Gr Pr)^{0.4} = 870.06, \quad h = 910.66 \text{ W/m}^2 \text{ K}$$

or
$$Nu = 0.1 (Gr Pr)^{0.333} = 704.33, \quad h = 737.2 \text{ W/m}^2 \text{ K}$$

Between the two there is a difference of 20–25% in this case also. Some later correlations are available for this situation, and the same will be discussed subsequently.

Example 10.10: Water is heated in a tank using horizontal pipes of diameter 50 mm with a wall temperature of 60°C maintained by steam condensing on the inside of the tubes. The water in the tank is at 20°C . Calculate the value of convection coefficient if the water is stagnant.

Solution: This is a case of free convection over a horizontal pipe.

The film temperature is $(60 + 20)/2 = 40^\circ\text{C}$

The property values are as in example 10.9

$$Gr = 9.81 \times 0.41 \times 10^{-3} (60 - 20) \times 0.05^3 / (0.657 \times 10^{-6})^2 = 4.66 \times 10^7$$

Two correlations are possible (Table 10.1)

$$Nu = 0.53 (Gr Pr)^{0.25} = 0.53 (4.66 \times 10^7 \times 4.34)^{0.25}$$

$$\therefore Nu = 63.2, \quad h = 793.8 \text{ W/m}^2 \text{ K}$$

$$Nu = 0.125 (Gr Pr)^{0.33} = 0.125 (4.66 \times 10^7 \times 4.34)^{0.33}$$

$$\therefore Nu = 68.83, \quad h = 864.6 \text{ W/m}^2 \text{ K}$$

A difference of 9% is observed, between the two correlations.

Example 10.11: A horizontal plate $1 \text{ m} \times 0.8 \text{ m}$ is kept in a water tank with the top surface at 60°C providing heat to warm stagnant water at 20°C . Determine the value of convection coefficient. Repeat the problem for heating on bottom surface.

Solution: This is a case of natural convection.

The film temperature is $(60 + 20)/2 = 40^\circ\text{C}$

The property values are taken as in example 10.9

$$\text{In this case } L = \text{Area/perimeter} = 1 \times 0.8 / 2(1 + 0.8) = 0.222$$

Upper surface heated : (Table 10.1 is used to find n and C)

$$\begin{aligned} Gr &= 9.81 \times 0.41 \times 10^{-3} (60 - 20) \times 0.222^3 / (0.657 \times 10^{-6})^2 \\ &= 4.09 \times 10^9, \quad n = 0.33, C = 0.15 \end{aligned}$$

$$Nu = 0.15 (Gr Pr)^{0.33} = 361.7 \quad \therefore \mathbf{h = 1022.1 \text{ W/m}^2 \text{ K}}$$

Lower surface heated: $n = 0.25$, $C = 0.27$

$$Nu = 0.27 (Gr Pr)^{0.25} = 98.55, \quad \therefore \mathbf{h = 278.5 \text{ W/m}^2 \text{ K}}$$

As the flow is obstructed when the bottom surface is heated, the value of convection coefficient is lower.

10.5 A MORE RECENT SET OF CORRELATIONS

Churchill and Chu (1975) for vertical plate and vertical cylinders in natural convection have given the equations (10.19) and (10.20) below.

$$Nu = 0.68 + \frac{0.67 (Gr Pr)^{0.25}}{[1 + (0.492/Pr)^{9/16}]^{4/9}} \quad \dots(10.19)$$

This is valid for $Gr Pr < 10^9$

A correlation for larger range of $Gr Pr$ (from 10^{-1} to 10^{12}) is

$$Nu = \left[0.825 + \frac{0.387 (Gr Pr)^{1/6}}{[1 + (0.492/Pr)^{9/16}]^{8/27}} \right]^2 \quad \dots(10.20)$$

These are for constant wall temperature. Equations (10.19) and (10.20) are valid for constant flux also. In this case the value 0.492 is to be replaced by 0.437.

Example 10.12: Repeat example 10.6, 10.7 and 10.9 using the recent correlations given by (10.19) and (10.20).

Solution: For Example 10.6:

$$Gr = 0.6475 \times 10^9, Pr = 0.701. \quad k = 0.02675 \text{ W/mk}, L = 0.8 \text{ m}$$

Eqn (10.19) is applicable:

$$Nu = 0.68 + \frac{0.67[0.6475 \times 10^9 \times 0.701]^{0.25}}{[1 + (0.492/0.701)^{9/16}]^{4/9}} = 75.63$$

$$\therefore \mathbf{h = 2.53 \text{ W/m}^2 \text{ K (compared to 2.88)}}$$

For Example 10.8: $Gr = 4.86 \times 10^{11}$, $Pr = 0.701$, $k = 0.02675 \text{ W/mk}$, $L = 4 \text{ m}$

Equation (10.20) is applicable:

$$Nu^{0.5} = \left[0.825 + \frac{0.387 (4.86 \times 10^{11} \times 0.701)^{1/6}}{[1 + (0.492/0.701)^{9/16}]^{8/27}} \right] = 27.91$$

$$\therefore Nu = 779.05, \quad \therefore \mathbf{h = 5.21 \text{ W/m}^2 \text{ K (compared to 5.76)}}$$

for example 10.9 (b) $Gr = 8.05 \times 10^{10}$, $Pr = 4.34$, $k = 0.628 \text{ W/mk}$, $L = 0.6 \text{ m}$

Equation (10.20) is applicable

$$Nu^{1/2} = \left[0.825 + \frac{0.387 (Gr Pr)^{1/6}}{[1 + (0.492/Pr)^{9/16}]^{8/27}} \right] = 30.92$$

$$Nu = 955.81 \quad \therefore \quad \mathbf{h = 1000.4 \text{ W/m}^2 \text{ K (compared to 910.66)}}$$

10.6 CONSTANT HEAT FLUX CONDITION—VERTICAL SURFACES

Here the value of wall temperature is not known. So ΔT is unspecified for the calculation of Grashof number. Though a trial solution can be attempted, it is found easier to eliminate ΔT by q which is known in most cases. This is done by multiplying Grashof number by Nusselt number and equating $q = h\Delta T$.

This product is known as **modified Grashof number, Gr^***

$$Gr_x^* = Gr_x Nu_x = \frac{g \beta \Delta t x^3}{\nu^2} \cdot \frac{hx}{k} = \frac{g \beta q x^4}{k \nu^2} \quad \dots(10.21)$$

The correlation for laminar range is given by

$$Nu_x = 0.60 [Gr_x^* Pr]^{0.2} \quad \dots(10.22)$$

$$10^5 < Gr^* < 10^{11}$$

The correlation for the turbulent region above $Gr^* > 10^{11}$ is

$$Nu_x = 0.17 (Gr_x^* Pr)^{0.25} \quad \dots(10.23)$$

The **average value** for the laminar region is obtained by integration as

$$h = \frac{5}{4} h_L = 1.25 h_L \quad \dots(10.24)$$

$x^{4/5}$ is involved in the integration

For the turbulent region, it can be proved that h_x is

$$\therefore \quad \mathbf{h = 1.136 \times h_L} \quad \dots(10.25)$$

Example 10.13: A flat electrical heater of $0.4 \text{ m} \times 0.4 \text{ m}$ size is placed vertically in still air at 20°C . The heat generated is 1200 W/m^2 . Determine the value of convective heat transfer coefficient and the average plate temperature.

Solution: The film temperature is not known. Assuming an average value of $h = 5 \text{ W/m}^2\text{K}$,

$$\Delta T = 1200/5 = 240^\circ\text{C}$$

$\therefore T_f = (240 + 20)/2 = 130^\circ\text{C}$. From tables, the property values are read as

$$\rho = 0.876, \quad \nu = 26.625 \times 10^{-6} \text{ m}^2/\text{s}, \quad Pr = 0.685, \quad k = 34.135 \times 10^{-3} \text{ W/mK}$$

$$c = 1011 \text{ J/kgK}$$

$$Gr^* = \frac{g \beta q x^4}{k \nu^2} = 9.81 \times \frac{1}{273 + 130} \times \frac{1200 \times 0.4^4}{34.135 \times 10^{-3} (26.625 \times 10^{-6})^2}$$

$$= \mathbf{3.09 \times 10^{10}}$$

This is in the laminar range. (for G^*)

$$\therefore Nu_x = 0.60 [Gr_x^* Pr]^{0.2} = 69.71, \quad \therefore h_x = 5.95 \text{ W/m}^2 \text{ K}$$

$$\bar{h} = \frac{5}{4} h = 7.44 \text{ W/m}^2 \text{ K}, \quad \therefore T = 20 + 1200/7.44 = 181.3^\circ\text{C}.$$

$\therefore T_f = (181.3 + 20)/2 = 100^\circ\text{C}$. **Another trial** with properties at 100°C should be made.

Taking average temp. 100°C and plate temp. of 180°C .

$$\begin{aligned} Gr_x^* &= \frac{g \beta q x^4}{k \nu^2} = 9.81 \times \frac{1}{273 + 100} \times 1200 \times \frac{0.4^4}{(23.13 \times 10^{-6})} \times \frac{1}{32.1 \times 10^{-3}} \\ &= 4.7 \times 10^{10}, \text{ using eqn. (10.22), } Nu = 75.9, \bar{h} = 7.62 \text{ W/m}^2 \text{ K} \end{aligned}$$

plate temp. = 177.6°C . Hence acceptable

If eqn (10.19) was used with 0.492 replaced by 0.437

$$Gr = 0.503 \times 10^9$$

$$Nu = 0.68 + \frac{0.67 (Gr Pr)^{0.25}}{[1 + (0.437/Pr)^{9/16}]^{4/9}} = 71.6$$

$$\therefore h = \frac{71.6 \times 32.1 \times 10^{-3}}{0.4} = 5.74 \text{ W/m}^2 \text{ K}$$

$$\Delta T = 208, T_w = 228, T_f = 128^\circ\text{C}.$$

Example 10.14: *If in the example 10.13, the heat flux has a value of $10,000 \text{ W/m}^2$ determine the value of h and the average plate temperature.*

Solution: The film temperature is not specified.

Assuming $h = 20 \text{ W/m}^2 \text{ K}$, $\Delta T = 500^\circ\text{C}$. So taking property values at 250°C

$$\nu = 40.61 \times 10^{-6} \text{ m}^2/\text{s}, Pr = 0.677, k = 42.68 \times 10^{-3} \text{ W/mK}, L = 0.4 \text{ m}.$$

$$\begin{aligned} \therefore Gr^* &= 9.81 \times \frac{1}{273 + 250} \cdot 10^4 \times 0.4^4 \times \frac{1}{42.68 \times 10^{-3}} \times \frac{1}{(40.61 \times 10^{-6})^2} \\ &= 6.82 \times 10^{10} \end{aligned}$$

\therefore **laminar (reference to Gr^*)**

$$\therefore Nu_x = 0.60 (Gr^* Pr)^{0.2} = 81.48$$

$$\therefore h = 8.70 \text{ W/m}^2 \text{ K}$$

\therefore Reworking is necessary as

$$\Delta T = 1150^\circ\text{C} \quad \therefore T_f \approx 600^\circ\text{C}$$

$$\nu = 96.89 \times 10^{-6} \text{ m}^2/\text{s} \quad k = 62.22 \times 10^{-3} \text{ W/mK}, \quad Pr = 0.699$$

$$\begin{aligned} Gr^* &= 981 \times \frac{1}{273 + 600} \times 10^4 \times 0.4^4 \times \frac{1}{62.22 \times 10^{-3}} \times \frac{1}{(96.89 \times 10^{-6})^2} \\ &= 4.92 \times 10^9 \end{aligned}$$

\therefore laminar

$$\therefore Nu_x = 0.60 (Gr_x^* Pr)^{0.2} = 48.48$$

$$\therefore h = 7.54 \text{ W/m}^2 \text{ K}, \Delta T = 1326^\circ\text{C}$$

The value of h will be lower than 7.54. The plate temperature will be around 1400°C. The value of heat flux is not suitable for free convection as it leads to an unusually high plate temperature. In case of water this flux may lead to boiling.

10.6.1. Constant Heat Flux, Horizontal Surfaces: For horizontal surfaces, the correlations are given in table 10.1 for constant wall temperature conditions. Example 10.11 illustrates the situation. For constant heat flux conditions the following correlations are available. The property values except β in these cases is to be evaluated at

$$T_e = T_w - 0.25 (T_w - T_\infty) \quad \dots(10.26)$$

β is evaluated at T_∞ .

The characteristic length $L = \text{Area/perimetre}$ generally. For circle $0.9 D$ and for Rectangle $(L + W)/2$

T_w is to be estimated using the basic relation.

$$\bar{h} (T_w - T_\infty) = q \quad \dots(10.27)$$

It may be noted that iteration becomes necessary in solving these problems.

For heated face facing upwards or cooled face facing downwards:

laminar conditions,

$$Nu = 0.54 (Gr Pr)^{1/4}, Gr Pr \rightarrow 10^5 \text{ to } 2 \times 10^7 \quad \dots(10.28a)$$

$$\bar{Nu} = 0.14 (Gr Pr)^{1/3} \quad \dots(10.28)$$

$$Gr Pr \rightarrow 2 \times 10^7 \text{ to } 3 \times 10^{10}.$$

For the turbulent range

$$\bar{Nu} = 0.16 (Gr Pr)^{1/3} \quad \dots(10.29)$$

$$2 \times 10^8 < Gr Pr < 10^{11}$$

For heated surface facing downward

$$Nu = 0.27 (Gr Pr)^{1/4}$$

$$Gr Pr \rightarrow 3 \times 10^5 \text{ to } 3 \times 10^{10}$$

$$Nu = 0.58 (Gr Pr)^{0.2}$$

$$10^6 < Gr Pr < 10^{11}. \quad \dots(10.30)$$

Example 10.15: A plate heater 0.4×0.4 m using electrical elements, has a constant heat flux of 1.2 kW/m^2 . It is placed in room air at 20°C with the hot side facing up. Determine the value of h and average plate temperature.

Solution: The property values have to be evaluated at

$$T_e = T_w - 0.25 (T_w - T_\infty), T_\infty = 20^\circ\text{C}, T_w \text{ is not specified.}$$

Assuming a value of $h = 10 \text{ W/m}^2 \text{ K}$,

$$T_w - T_\infty = 1200/10 = 120^\circ\text{C}, \quad \therefore T_w = 140^\circ\text{C}$$

$$\therefore T_e = 140 - 0.25 (140 - 20) = 110^\circ\text{C}$$

Properties of air at 110°C are : $\rho = 0.922$, $\nu = 24.29 \times 10^{-6}$, $Pr = 0.687$, $k = 32.74 \times 10^{-3}$ (Usual units).

L for square = length of side = 0.4 m

$$Gr = \frac{g\beta \cdot \Delta T L^3}{\nu^2} = 9.81 \times \frac{1}{293} \times \frac{120 \times 0.4^3}{(24.29 \times 10^{-6})^2} = 4.36 \times 10^8$$

∴ The equation applicable is **(10.29)**

$$\bar{Nu} = 0.16 (Gr Pr)^{1/3} = 107.38, \quad \therefore \mathbf{h = 8.76 \text{ W/m}^2 \text{ K}}$$

Now using this value of h , $\Delta T = 137^\circ\text{C}$ ∴ $T_w = 157^\circ\text{C}$

$$T_e = 157 - 0.25 (157 - 20) = 122.75^\circ\text{C}$$

Properties at this condition are:

$$\rho = 0.8925, \nu = 25.74 \times 10^{-6} \text{ m}^2/\text{s}, Pr = 0.685, k = 33.57 \times 10^{-3} \text{ W/mK}$$

$$\mathbf{Gr} = 9.81 \times \frac{1}{273} \times \frac{137 \times 0.4^3}{(25.74 \times 10^{-6})^2} = \mathbf{0.476 \times 10^9}$$

∴ equation (10.29) is applicable

$$Nu = 0.16 (0.476 \times 10^9 \times 0.685)^{1/3} = 110.09$$

∴ **$h = 9.24 \text{ W/m}^2 \text{ K}$**

using this value, **$\Delta T = 130^\circ\text{C}$** ∴ **$T_w = 150^\circ\text{C}$**

$$T_e = 150 - 0.25 (150 - 20) = 117.5^\circ\text{C}$$

Taking property values at this temperature (usual units)

$$\rho = 0.904, \nu = 25.16 \times 10^{-6}, \quad Pr = 0.687, k = 33.22 \times 10^{-3}$$

$$Gr = 9.81 \times \frac{1}{273} \times \frac{130 \times 0.4^3}{(25.16 \times 10^{-6})^2} = 4.72 \times 10^8$$

∴ $Nu = 0.16 (Gr Pr)^{1/3} = 109.94$ ∴ **$h = 9.13 \text{ W/m}^2 \text{ K}$**

Further iteration may not improve the accuracy further.

Average plate temperature difference = $1200/9.13 = 131.4^\circ\text{C}$

∴ **Average plate temperature = 151.4°C .**

Example 10.16: A circular disk of 0.2 m diameter with a constant heat generation rate of 1 kW/m^2 is kept with its heated surface facing down in air at 20°C . Determine the value of convection coefficient and the average plate temperature.

Solution: This is a problem of free convection. The property values are to be taken at

$$T_e = T_w - 0.25 (T_w - T_\infty).$$

As T_w is not specified, a suitable value is assumed and then iterative calculations is made. As the value of convection coefficient will be lower, assuming $h = 4 \text{ W/m}^2\text{K}$,

$$\Delta T = 250^\circ\text{C i.e. } (1000/4), \quad \therefore T_w = 270^\circ\text{C}$$

$$T_e = 270 - 0.25 (270 - 20) = 207.5^\circ\text{C}$$

Taking property values at 200°C (nearer)

$$\rho = 0.746, \nu = 34.85 \times 10^{-6} \text{ m}^2/\text{s}, \quad Pr = 0.68$$

$$k = 39.31 \times 10^{-3} \text{ W/mK}, \quad L = 0.9 \times 0.2 = 0.18 \text{ m}, \quad \beta = \frac{1}{293}$$

∴ **$Gr = \frac{9.81 \times 250 \times 0.18^3}{293 \times (34.85 \times 10^{-6})^2} = 4.019 \times 10^7$**

Using equation (10.30), (suitable for this range)

$$Nu = 0.58 (Gr Pr)^{0.2} = 17.81 \quad \therefore \mathbf{h = 3.89 \text{ W/m}^2 \text{ K}}$$

This is very near the value. However **another trial** can be made:

$$\Delta T = 257^\circ\text{C} \quad \therefore T_w = 277^\circ\text{C}$$

$$T_e = 277 - 0.25(257) = 212.75^\circ\text{C}$$

property values at 212.75°C

$$\rho = 0.728, \nu = 36.32 \times 10^{-6}, Pr = 0.679, k = 40.17 \times 10^{-3} \text{ W/m K}$$

$$Gr = \frac{9.81}{293} \times \frac{257 \times 0.18^3}{(36.32 \times 10^{-6})^2} = 3.804 \times 10^7$$

$$\therefore Nu = 0.58 (Gr Pr)^{0.2} = 17.61 \quad \therefore h = 3.93 \text{ W/m}^2 \text{ K}$$

$$\therefore \Delta T = 1000/3.93 = 254.4^\circ\text{C} \quad \therefore T_w = 274.4^\circ\text{C}$$

When the heated surface faces downward, the surface temperature is higher.

10.7 FREE CONVECTION FROM INCLINED SURFACES

The previous correlations for vertical plates at constant wall temperature conditions can be applied simply by **multiplying Gr by cos θ** where θ is the angle the surface makes with the vertical. (or by sin θ if the angle is from horizontal). This is valid upto an angle of 60° from vertical. In the case of **constant heat flux Gr* is multiplied by cos θ** in the correlations.

For horizontal surfaces with constant heat flux with heated surface facing down, the correlation is

$$Nu = 0.56 (Gr Pr \cos \theta)^{0.25}$$

$$\theta < 88^\circ \text{ and } 10^5 < Gr Pr \cos \theta < 10^{11} \quad \dots(10.31)$$

Properties to be evaluated at T_e (equation 10.26) and β alone at T_∞ .

For heated surface facing upwards, the correlations are more involved. A simple one is

$$Nu = 0.56 [(Gr Pr \cos \theta)^{1/4} + 0.14 [(Gr Pr)^{1/3} - (Gr_c Pr)^{1/3}] \quad \dots(10.32)$$

where Gr_c is critical value of Grashof number causing flow separation. This value depends on the angle and is tabulated below:

angle	15	30	60	75
Gr_c	5×10^9	2×10^9	10^8	10^6

Simplified formulations are available for air. Equation 10.22 can be used with $Gr^* \cos \theta$ in place of Gr^*

In the turbulent region, heated surface facing upwards.

$$Nu_x = 0.17 (Gr_x^* Pr)^{1/4} \quad \dots(10.33)$$

$$10^{10} < Gr^* Pr < 10^{15}$$

For heated surface facing downward,

$Gr^* \cos^2 \theta$ replaces Gr_x^* . The relation will be nearly the same as in table 10.1

Equation (10.33) approximates to the equation given in table 10.1.

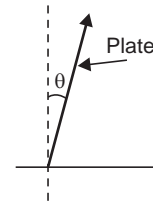


Fig. 10.5

Example 10.17: Consider a surface 0.8 m high, kept at an angle of 55° from the horizontal at a constant wall temperature of 40°C in air at 20°C. Determine the value of convection coefficient and compare the same with that of similar vertical plate.

Solution: The film temperature is $(40 + 20)/2 = 30^\circ\text{C}$, $\theta = 35^\circ$ (vertical)

The property values are :

$$\rho = 1.165, \nu = 16 \times 10^{-6} \text{ m}^2/\text{s}, Pr = 0.701, k = 26.75 \times 10^{-3} \text{ W/m K}$$

For vertical plate:

$$Gr = \frac{9.81 \times 20 \times 0.8^3}{303 \times (16 \times 10^{-6})^2} = 1.295 \times 10^9$$

Equation applicable is

$$Nu = \left[0.825 + \frac{0.387 (Gr Pr)^{1/6}}{[1 + (0.492/Pr)^{9/16}]^{8/27}} \right]^2$$

$$Nu = 119.03 \quad \therefore \quad h = 3.98 \text{ W/m}^2 \text{ K}$$

Inclined surface:

$$Nu = \left[0.825 + \frac{0.387 (Gr \cos \theta Pr)^{1/6}}{[1 + (0.492/Pr)^{9/16}]^{8/27}} \right]^2$$

$$Nu = 111.91 \quad \therefore \quad h = 3.74 \text{ W/m}^2 \text{ K.}$$

Using another possible correlation:

$$\text{Vertical plate: } Nu = 0.1 (Gr Pr)^{1/3} = 96.83, \quad \therefore \quad h = 3.24 \text{ W/m}^2 \text{ K}$$

$$\text{Inclined plate: } Nu = 0.1 (Gr Pr \cos \theta)^{1/3} = 90.5 \quad \therefore \quad h = 3.03 \text{ W/m}^2 \text{ K}$$

In terms of numbers the difference is about 23% lower by this correlation.

Example 10.18: Consider a vertical plate of height 0.8 m with a constant heat flux of 2 kW/m². The still air surrounding it is at 20°C. Determine the average surface temperature. If during the installation, the plate is inclined to the vertical at 30°, determine the change in temperature.

Solution: The still air is at 20°C. As the wall temperature is not specified, an estimate is made assuming

$$h = 10 \text{ W/m}^2 \text{ K} \quad \therefore \quad \Delta T = 2000/10 = 200^\circ\text{C}$$

\therefore The film temperature can be taken as $(200 + 20)/2 = 110^\circ\text{C}$

$$\rho = 0.898, \nu = 25.45 \times 10^{-6} \text{ m}^2/\text{s}, Pr = 0.686, k = 33.38 \times 10^{-3} \text{ W/mK}$$

using equation (10.21), vertical location:

$$\begin{aligned} Gr^* &= \frac{g \beta q x^4}{k \nu^2} = \frac{9.81}{273 + 110} \times \frac{2000 \times 0.8^4}{33.38 \times 10^{-3} (25.45 \times 10^{-6})^2} \\ &= 9.71 \times 10^{11}, \text{ turbulent} \end{aligned}$$

The suitable correlation is equation (10.23)

$$\therefore \quad Nu = 0.17 [Gr^* Pr]^{0.25} = 153.56 \quad \therefore \quad h = 6.40 \text{ W/m}^2 \text{ K}$$

This is lower than the assumed value: using this value $\Delta T = 314^\circ\text{C}$, $\therefore T_w = 334^\circ\text{C}$

$$\therefore \quad T_f = (334 + 20)/2 = 177^\circ\text{C.}$$

Taking property values at 180°C

$$\rho = 0.779, \nu = 32.49 \times 10^{-6} \text{ m}^2/\text{s}, Pr = 0.681, k = 37.8 \times 10^{-3} \text{ W/m K}$$

$$\text{Gr}^* = \frac{9.81}{273 + 180} \times \frac{2000 \times 0.8^4}{37.8 \times 10^{-3} (32.49 \times 10^{-6})^2} = 4.45 \times 10^{11}$$

$$\therefore Nu = 0.17 [4.45 \times 10^{11} \times 0.681]^{0.25} = 126.1$$

$$\therefore \mathbf{h = 5.96 \text{ W/m}^2 \text{ K}}$$

Another iteration is now made

$$\Delta T = 336^\circ\text{C} \quad \therefore T_w = 356^\circ\text{C}$$

$$\therefore T_f = (356 + 20)/2 = 187.83$$

Taking property values at 190°C

$$\rho = 0.763, \nu = 33.67 \times 10^{-6} \text{ m}^2/\text{s}, Pr = 0.68, k = 38.56 \times 10^{-3} \text{ W/m K}$$

$$\text{Gr}^* = \frac{9.81}{273 + 190} \times \frac{2000 \times 0.8^4}{38.56 \times 10^{-3} (33.67 \times 10^{-6})^2} = 3.97 \times 10^{11}$$

$$\therefore Nu = 0.17 (\text{Gr}^* Pr)^{0.25} = 122.54$$

$$\therefore \mathbf{h = 5.91 \text{ W/m}^2 \text{ K}}$$

$$\therefore T_w = (2000/5.91) + 20 = 358.6^\circ\text{C}$$

In case of inclined surface,

$$Nu = 0.17 (\text{Gr} Pr \times \cos \theta)^{0.25} = 118.21 \quad \therefore \mathbf{h = 5.7 \text{ W/m}^2 \text{ K}}$$

$$\therefore T_w = 371^\circ\text{C}.$$

Example 10.19: A flat heater of circular shape of 0.2 m dia with a heat generation rate of 1.2 kW/m^2 is kept in still air at 20°C with the heated surface facing downward and the plate inclined at 15° to the horizontal. Determine the value of convection coefficient.

Solution: The plate surface temperature is not specified.

$$\text{Assuming } h = 5 \text{ W/m}^2 \text{ K}, \Delta T = 240^\circ\text{C}, T_w = 260^\circ\text{C}$$

$$\text{Taking properties at } T_e = T_w - 0.25 (T_w - T_\infty) = 200^\circ\text{C}$$

$$\rho = 0.746, \nu = 34.85 \times 10^{-6} \text{ m}^2/\text{s}, Pr = 0.677, k = 39.31 \times 10^{-3} \text{ W/m K}$$

$$L = 0.9 \times 0.2 = 0.18 \text{ m}, \theta = 75^\circ$$

$$\text{Gr} = \frac{9.81}{273 + 20} \times \frac{240 \times 0.18^3}{(34.85 \times 10^{-6})^2} = 3.86 \times 10^7$$

$$\text{Gr} Pr \cos \theta = 6.76 \times 10^6$$

Equation (10.31) is used

$$Nu = 0.56 (\text{Gr} Pr \cos \theta)^{0.25} = 28.56 \quad \therefore \mathbf{h = 6.24 \text{ W/m}^2 \text{ K}}$$

Another trial may be made using this value

$$\Delta T = 192^\circ\text{C} \quad \therefore T_w = 212^\circ\text{C}, T_e = 212 - 0.25 (212 - 20) = 164^\circ\text{C}$$

property values are now taken at 160°C

$$\rho = 0.815, \nu = 30.09 \times 10^{-6} \text{ m}^2/\text{s}, Pr = 0.682, k = 36.4 \times 10^{-3} \text{ W/m K}$$

$$\text{Gr} Pr \cos \theta = \frac{9.81}{273 + 20} \times \frac{192 \times 0.18^3}{(30.09 \times 10^{-6})^2} \times 0.682 \times \cos 75 = 7.30 \times 10^6$$

$$\therefore Nu = 29.12, \mathbf{h = 5.89 \text{ W/m}^2 \text{ K}}$$

The temperature difference based on this value is 204°C

$$\therefore T_w = 224^\circ\text{C}, T_e = 224 - 0.25(224 - 20) = 173^\circ\text{C}$$

Taking property values at 175°C,

$$\rho = 0.788, \quad \nu = 31.89 \times 10^{-6} \text{ m}^2/\text{s}, \quad Pr = 0.681, \quad k = 37.45 \times 10^{-3} \text{ W/mK}$$

Using these values, $Nu = 28.78$, $h = 5.99 \text{ W/m}^2 \text{ K}$

$$\Delta T = 200^\circ\text{C} \quad \therefore T_w = 220^\circ\text{C}$$

(compare with example (10.16) and discuss the results).

10.8 HORIZONTAL CYLINDERS

A more general correlation as compared to the ones given in table 10.1 is available.

$$Nu^{0.5} = 0.60 + 0.387 \left[\frac{(Gr Pr)}{[1 + (0.559/Pr)^{9/16}]^{16/9}} \right]^{1/6} \quad \dots(10.34)$$

valid in the range $10^{-5} < Gr Pr < 10^{12}$

for the laminar range, $Gr Pr < 10^9$ the correlation is

$$Nu = 0.36 + \frac{0.518 (Gr Pr)^{0.25}}{[1 + (0.559/Pr)^{9/16}]^{4/9}} \quad \dots(10.35)$$

Inclined cylinders: The expression in the case of inclined cylinders is rather long and may be looked up in data books. An example on this topic is given under solved problems.

Example 10.20: Water in a tank is heated by a horizontal steam pipe of 0.25 m dia, maintained at 60°C. The water is at 20°C. Calculate the value of convective heat transfer coefficient by different correlations and compare the results.

Solution: The film temperature is $(60 + 20)/2 = 40^\circ\text{C}$

The property values are:

$$\rho = 995 \quad \nu = 0.657 \times 10^{-6} \text{ m}^2/\text{s}, \quad Pr = 4.34, \quad k = 0.628 \text{ W/m}^2 \text{ K}$$

$$\beta = 0.41 \times 10^{-3}/\text{K}$$

$$Gr = \frac{9.81 \times 0.41 \times 10^{-3} \times 0.25^3 \times 40}{(0.657 \times 10^{-6})^2} = 5.82 \times 10^9$$

$$Gr Pr = 2.53 \times 10^{10}$$

The appropriate correlation is

$$Nu^{0.5} = 0.60 + 0.387 \left[\frac{(Gr Pr)}{[1 + (0.559/Pr)^{9/16}]^{16/9}} \right]^{1/6}$$

$$\therefore Nu = 397.12 \quad \therefore h = 997.6 \text{ W/m}^2 \text{ K}$$

The other correlation is (Table 10.1)

$$Nu = 0.125 (Gr Pr)^{1/3} = 366.83 \quad \therefore h = 921.5 \text{ W/m}^2 \text{ K}$$

Another possibility is

$$Nu = 0.13 (Gr Pr)^{1/3} = 381.51 \quad \therefore h = 958.4 \text{ W/m}^2 \text{ K}$$

All estimates are close.

10.9 OTHER GEOMETRIES

For spheres: the general correlation is

$$Nu = 2 + 0.43 (Gr Pr)^{0.25} \quad \dots(10.37)$$

Properties to be evaluated at film temperature

For higher values ($3 \times 10^5 < Gr Pr < 8 \times 10^{10}$) 0.43 is replaced by 0.50

Irregular Solids:

Short cylinder $D = H$ $Nu = 0.775 (Gr Pr)^{0.208} \quad \dots(10.38)$

For other solids $Nu = 0.52 (Gr Pr)^{0.25} \quad \dots(10.39)$

where the characteristic length is the distance travelled by a particle in the boundary layer.

For rectangular solids, the characteristic length L is calculated using

$$\frac{1}{L} = \frac{1}{L_H} + \frac{1}{L_V} \quad \dots(10.40)$$

where L_H = average horizontal length, and L_V is the vertical length. Based on this length

$$Nu = 0.55 (Gr Pr)^{0.25} \quad \dots(10.41)$$

Equation (10.37) and (10.41) should give similar estimates,

The correlation for **horizontal cylinders in liquid metals** is given by

$$Nu = 0.53 (Gr Pr^2)^{1/4}. \quad \dots(10.36)$$

Example 10.21: A spherical heater of dia 0.2 m dia with surface at 60°C is used to heat water at 20°C in a tank. Determine the value of convective heat transfer coefficient.

This is a case of free convection.

Solution: The film temperature is 40°C. The Property values are

$$\rho = 995, \quad \nu = 0.657 \times 10^{-6} \text{ m}^2/\text{s}, \quad Pr = 4.34, \quad k = 0.628 \text{ W/mK}$$

$$\beta = 0.41 \times 10^{-3}/\text{K}$$

The correlation is $Nu = 2 + 0.43 (Gr Pr)^{0.25}$

$$Gr = \frac{9.81 \times 0.41 \times 10^{-3} \times 0.2^3 \times 40}{(0.657 \times 10^{-6})^2} = 2.98 \times 10^9$$

$$Nu = 2 + 0.43(2.98 \times 10^9 \times 4.34)^{0.25} = 147.03$$

$$\therefore \quad \mathbf{h = 461.7 \text{ W/m}^2 \text{ K.}}$$

Example 10.22: A small cylindrical steam heater of diameter 0.2 m and height 0.2 m maintained at 60°C is immersed in a tank of water at 20°C. Determine the value of convection coefficient.

This is an example in free convection. The film temperature is 40°C. The property values are as in example 10.21.

Solution: An available correlation is given by equation (10.38).

$$Nu = 0.775 (Gr Pr)^{0.208}$$

$$Gr = \frac{9.81 \times 0.41 \times 10^{-3} \times 0.2^3 \times 40}{(0.657 \times 10^{-6})^2} = 2.98 \times 10^9$$

$$Nu = 0.775 (2.98 \times 10^9 \times 4.34)^{0.208} = 98.31 \quad \therefore \quad \mathbf{h = 308.7 \text{ W/m}^2 \text{ K}}$$

Another possible method is to use the length as the length of travel in boundary layer = $D + h = 2D$ in this case = 0.4 m

$$\begin{aligned}
 Nu &= 0.52 (Gr Pr)^{0.25}, \text{ here } Gr \text{ is based on length } 2D \\
 &= [0.52] \{9.81 \times 0.41 \times 10^{-3} \times 40 \times (0.4)^3 / (0.657 \times 10^{-6})^2\} 4.34^{0.25} \\
 &= 294.96, \mathbf{h = 463.1 W/m^2 K}
 \end{aligned}$$

Another way in which the length can be found is

$$\frac{1}{L} = \frac{1}{L_H} + \frac{1}{L_V} = \frac{1}{D} + \frac{1}{D} = \frac{1}{0.2} + \frac{1}{0.2} = 10$$

$\therefore L = 0.1$ m. Using this value of L

$$\mathbf{Gr} = \frac{9.81 \times 0.41 \times 10^{-3} \times 0.1^3 \times 40}{(0.657 \times 10^{-6})^2} = \mathbf{0.373 \times 10^9}$$

Using equation (10.41),

$$Nu = 0.55 (Gr Pr)^{0.25} = 110.32 \quad \therefore \mathbf{h = 692.8 W/m^2 K}$$

There is a wider spread. However, there is no other way by which such estimates can be made.

10.10 SIMPLIFIED EXPRESSIONS FOR AIR

Using average property values, simplified (but less accurate) correlations for air is given in table 10.2. These are applicable for 1 atm pressure and moderate temperature differences.

Table 10.2. Simplified expressions for convective heat transfer coefficient for free convection in air.

Constant wall temperature $\Delta T = T_w - T_\infty$

Geometry	Laminar $10^4 < Gr Pr < 10^9$	Turbulent $Gr Pr > 10^9$	Eqn. No
1. Vertical plane or cylinder	$h = 1.42 (\Delta T/L)^{1/4}$	$h = 1.31 (\Delta T)^{1/3}$	(10.42) (a, b)
2. Horizontal cylinder	$h = 1.32 (\Delta T/D)^{1/4}$	$h = 1.24 (\Delta T)^{1/3}$	(10.43) (a, b)
3. Horizontal plate heated face up or cooled face down	$h = 1.32 (\Delta T/L)^{1/4}$	$h = 1.52 (\Delta T)^{1/3}$	(10.44) (a, b)
4. Heated face down or cooled face up	$h = 0.59 (\Delta T/L)^{1/4}$		(10.45)

For pressures other than 1 atm, multiply the RHS of these expressions as below, where p is in bar.

$$\text{Laminar } (P/1.0132)^{0.25} \quad (1.46)$$

$$\text{Turbulent } (P/1.0132)^{2/3} \quad (a, b)$$

Example 10.23: (Read example 10.3) A vertical plate is maintained at 40°C in stagnant air at 20°C . The flow turns turbulent at a height of 0.8262 m. It is found that $h = 3.15 \text{ W/m}^2\text{K}$ (example 10.5). In example 10.6, the average value of h at $0.2, 0.4, 0.6, 0.8$ are found as $4.49, 3.77, 3.41$ and $3.17 \text{ W/m}^2\text{K}$.

Solution: Compare the values that may be obtained using simplified expressions equation (10.42)

The equation (10.42) is

$$h = 1.42 \left(\frac{\Delta T}{L} \right)^{0.25}, \quad \Delta T = 20^\circ\text{C}$$

Distance: m	0.2	0.4	0.6	0.8	0.8262
\bar{h} by classical method $\text{W/m}^2 \text{K}$	4.49	3.77	3.41	3.17	3.15
Simplified expression	4.49	3.78	3.41	3.18	3.15

It is very interesting that there is very close agreement.

Example 10.24. The following results using accurate correlations for free convection in air on a vertical surface are available.

$$(a) L = 0.8 \text{ m} \quad \Delta T = 10^\circ\text{C} \quad h = 2.88 \text{ W/m}^2 \text{K} \quad Gr = 0.65 \times 10^9$$

$$(b) L = 4 \text{ m} \quad \Delta T = 60^\circ\text{C} \quad h = 5.76 \text{ W/m}^2 \text{K} \quad Gr = 4.86 \times 10^{11}$$

Check using approximate relations.

Solution: (a) $h = 1.42 (\Delta T/L)^{1/4} = 1.42 (10/0.8)^{1/4} = 2.67 \text{ W/m}^2 \text{K}$ (2.88)

$$(b) h = 1.31 (\Delta T)^{1/3} = 1.31 (60)^{1/3} = 5.13 \text{ W/m}^2 \text{K}$$
 (5.76)

It can be seen that the **approximate relations provide very good estimates in the laminar region** and good estimates in the turbulent region.

Example 10.25: A steam pipe with an outer diameter of 0.4 m at 110°C passes through still air at 30°C . Determine the value of convection coefficient by the accurate and approximate methods. film temperature = $(110 + 30)/2 = 70^\circ\text{C}$.

Solution: Property values are :

$$\rho = 1.029, \nu = 20.02 \times 10^{-6} \text{ m}^2/\text{s}, Pr = 0.694, k = 29.66 \times 10^{-3} \text{ W/mK}$$

Using horizontal cylinder correlation

$$Gr = \frac{9.81 \times 80 \times 0.4^3}{(273 + 70)(20.02 \times 10^{-6})^2} = 3.65 \times 10^8$$

$$Gr Pr = 2.54 \times 10^8$$

$$Nu = 0.36 + \frac{0.518 (Gr Pr)^{0.25}}{[1 + (0.559/Pr)^{9/16}]^{4/9}} = 49.67$$

$$\therefore h = 3.68 \text{ W/m}^2 \text{K}$$

Approximate method:

$$h = 1.32 (\Delta T/D)^{0.25} = 4.97 \text{ W/m}^2 \text{K}$$

Using equation of tables 10.1

$$Nu = 0.125 (Gr Pr)^{0.33} \quad \text{or} \quad 0.53 (Gr Pr)^{0.25}$$

$$= 79.12 \quad \quad \quad Nu = 66.88$$

$$h = 5.87 \text{ W/m}^2 \text{K} \quad \quad \quad h = 4.96 \text{ W/m}^2 \text{K}$$

Another correlation is

$$Nu^{0.5} = 0.60 + 0.387 \left[\frac{(Gr Pr)}{[1 + (0.559/Pr)^{9/16}]^{16/9}} \right]^{1/6}$$

$$Nu = 75.14 h = 5.57 \text{ W/m}^2 \text{ K}.$$

This shows that the approximate method is not too far off from other methods and actually coincides with one of the correlations and may be used with confidence for first estimates.

10.11 FREE CONVECTION IN ENCLOSED SPACES

Double glazed windows used in buildings to reduce heat loss is an example for this situation. This is shown in Fig. 10.5. Inclined spaces are encountered in solar collectors. In these cases, the fluid receives and transfers the heat between the surface by free convection with the average temperature of the fluid remaining the same. The heat transfer will be higher than in pure conduction.

The space (rather short) between surface 1 and 2 is stagnant.

$$Q = h A (T_1 - T_2)$$

is to be used to calculate the heat flow, h is evaluated as described below. In this case the Grashof number is calculated as

$$Gr = \frac{g\beta(T_1 - T_2)\delta^3}{\nu^2} \quad \dots(10.47)$$

$$Nu = \frac{h\delta}{k}, \quad \delta = \text{distance between surfaces} \quad \dots(10.48)$$

one of the correlations available is :

$$Nu = 0.42 (Gr Pr)^{0.25} Pr^{0.012} \left(\frac{1}{\delta}\right)^{-0.30} \quad \dots(10.49)$$

valid for

$$10^4 < Gr Pr < 10^7, \quad q_w = \text{constant}$$

$$1 < Pr < 20,000 \quad 10 < L/\delta < 40$$

$$Nu = 0.046 (Gr Pr)^{1/3} \quad \dots(10.50)$$

$$10^6 < Gr Pr < 10^9 \quad 1 < Pr < 20, \quad 1 < L/\delta < 40.$$

Example 10.26: A double glazed window $1 \text{ m} \times 1 \text{ m}$ used in an airconditioned space has the two plates at a distance of 1 cm . One plate is at 10°C while the other is at 30°C . Determine the convection coefficient between the plates.

Solution: This can be considered as enclosed space:

$$T_f = 20^\circ\text{C}, \quad \nu = 15.06 \times 10^{-6} \text{ m}^2/\text{s},$$

$$Pr = 0.703, \quad k = 25.93 \times 10^{-3} \text{ W/m K}$$

Using equation (10.47), (48, 49)

$$Gr = \frac{9.81 \times 20 \times 0.01^3}{293 \times (15.06 \times 10^{-6})^2} = 2952.4$$

$$Gr Pr = 2075.57$$

Using equation (10.49), a possible fit

$$Nu = 0.42 (Gr Pr)^{0.25} Pr^{0.012} (L/\delta)^{-0.30} = 0.709$$

$$h = 1.84 \text{ W/m}^2 \text{ K}$$

Comparing conduction and convection resistances : (1m^2)

$$\text{convection resistance} = 1/h = 0.544 \text{ K/W}$$

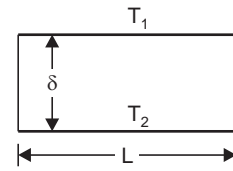


Fig. 10.6. Model of enclosed space.

Conduction: $l/k = \frac{0.01}{25.93 \times 10^{-3}} = 0.386 \text{ K/W}$

Conduction heat flow is higher.

For closed vertical or horizontal cylinders (length as linear dimension)

$$Nu = 0.55 (Gr Pr)^{0.25} \quad \dots(10.51)$$

The free convection in the **annular space of cylinders and spheres** are discussed under solved problems.

For a **horizontal cavity heated from below**.

$$Nu = 1 + 1.44 \left[1 - \frac{1708}{Gr Pr} \right] + \left[\left(\frac{Gr Pr}{5830} \right)^{1/3} - 1 \right] \quad \dots(10.52)$$

In case the quantities in square brackets are – ve these should be taken as zero.

10.12 ROTATING CYLINDERS, DISKS AND SPHERES

A flow is caused due to rotation of axisymmetric objects like motor rotors etc. The flow is neither due to density difference nor due to devices like pumps, but due to the centripetal action.

A new Reynolds number called **peripheral speed Reynolds number (Re_ω)** is defined and used in the analysis as this quantity is found to influence the setting in of turbulence (ω – rotational speed, radians/s)

$$Re_\omega = \omega \pi D^2 / \nu \quad \dots(10.53)$$

For cylinders $Nu = \frac{h_c D}{k} = 0.11 (0.5 Re_\omega^2 + Gr_D Pr)^{0.35} \quad \dots(10.54)$

For rotating disk $Nu = 0.35 \left(\frac{\omega D^2}{4\nu} \right)^{0.5} \quad \dots(10.55)$

for $\omega D^2 / \nu < 5 \times 10^5$

For turbulent condition, the local value of Nusselt number at radius is (d is the diameter)

$$Nu_r = \frac{hr}{k} = 0.0195 \left(\frac{\omega d^2}{4\nu} \right)^{0.8} \quad \dots(10.56)$$

and the average value is (D_0 – outside dia)

$$Nu_r = 0.015 \left(\frac{\omega D_0^2}{4\nu} \right)^{0.8} - 100 \left(\frac{D_c}{D_0} \right)^2 = \frac{hr}{k} \quad \dots(10.57)$$

when D_c corresponds to $\omega D^2 / \nu = 5 \times 10^5$

For spheres, in the laminar region

$$Nu_D = 0.43 Re_\omega^{0.5} Pr^{0.4} \quad \dots(10.58)$$

for $Re_\omega = \frac{\omega D^2}{\nu} < 5 \times 10^4$

$$Nu = 0.066 Re_{\omega}^{0.67} Pr^{0.4} \quad \dots(10.59)$$

for $5 \times 10^4 < Re_{\omega} = \omega D^2/\nu < 7 \times 10^5$

These relations are useful in calculating the heat loss in rotating machine elements.

Example 10.27: A hot metal cylinder of dia 0.4 m is machined at a speed of 250 rpm. The cylinder surface is at 60°C and air is at 20°C. Determine the value of convection coefficient over the surface.

Solution: The film temperature = 40°C

The property values are:

$$\rho = 1.128, \nu = 16.96 \times 10^{-6} \text{ m}^2/\text{s}, Pr = 0.699, \\ k = 27.56 \times 10^{-3} \text{ W/mK}$$

Using equation (10.53),

$$Re_{\omega} = \omega \pi D^2/\nu = \frac{2\pi \times 250}{60} \times \frac{\pi \times 0.4^2}{16.96 \times 10^{-6}} = 775912 \\ Gr Pr = \frac{9.81 \times 40}{(273 + 40)} \times \frac{0.4^3}{(16.96 \times 10^{-6})^2} \cdot 0.699 = 1.95 \times 10^8$$

Using equation (10.54)

$$Nu = 0.11 [0.5 Re^2 + Gr Pr]^{0.35} = 1145.5, \\ h = 78.93 \text{ W/m}^2 \text{ K.}$$

Example 10.28: A thin disk of 0.3 m dia is being ground on the face and rotates at 3000 rpm. The disk surface is at 60°C while the air is at 20°C. Determine the value of convection coefficient. Taking the property values from example 10.27.

Solution.
$$\frac{\omega D^2}{\nu} = \frac{2\pi \times 3000}{60} \times \frac{0.3 \times 0.3}{16.96 \times 10^{-6}} = 1.668 \times 10^6 > 5 \times 10^5$$

Using equation (10.57)

$$Nu_r = 0.015 \left(\frac{\omega D_0^2}{4\nu} \right)^{0.8} - 100 \left(\frac{D_c}{D_0} \right)^2$$

To find D_c
$$\frac{2\pi \times 3000}{60} \times \frac{D_c^2}{16.96 \times 10^{-6}} = 5 \times 10^5$$

$\therefore D_c = 0.1643 \text{ m}$

$\therefore Nu_r = 0.015 (1.668 \times 10^6)^{0.8} - 100 \left(\frac{0.1643}{0.3} \right)^2 = 1394.5$

$$h = 256.2 \text{ W/m}^2 \text{ K.}$$

10.13 COMBINED FORCED AND FREE CONVECTION

When flow velocities are low, natural convection will also contribute in addition to forced convection. This can be checked using the following.

If $Gr/Re^2 \gg 1$ free convection prevails

If $Gr/Re^2 \ll 1$ forced convection prevails

If $Gr/Re^2 \approx 1$ both should be considered

In such cases, for flow in pipes in the **laminar region**

$$Nu = 1.75 \left[\frac{\mu}{\mu_m} \right]^{0.14} [G_z + 0.012 (G_z Gr^{0.333})^{1.333}]^{0.333} \quad \dots(10.60)$$

where
$$G_z = Re Pr \cdot \frac{D}{L}$$

For turbulent conditions

$$Nu = 4.69 Re^{0.27} Pr^{0.21} Gr^{0.07} (D/L)^{0.36} \quad \dots(10.61)$$

$$Re > 2000, Gr Pr \frac{D}{L} < 5000$$

or
$$Re > 800, Gr Pr \frac{D}{L} > 2 \times 10^4$$

Natural or free convection has extensive applications as equipments based on this phenomenon are simple and will operate without breakdown over long periods of time.

It is to be kept in mind that estimates may be $\pm 25\%$ removed from actual values and the design dimensions should be arrived at based on the performance assurance required.

Example 10.29: A vertical plate 2 m high is maintained at 60°C in air at 20°C . What is the limit of flow velocity for the heat flow to be considered as (i) free convection (ii) both free and forced convection and (iii) forced convection.

Solution: $T_f = 40^\circ\text{C}$. The property values are : $\nu = 16.96 \times 10^{-6} \text{ m}^2/\text{s}$

$$Gr = \frac{9.81 \times 40}{313} \times \frac{2^3}{(16.96 \times 10^{-6})^2} = 3.486 \times 10^{10}$$

$$Re^2 = \left(\frac{u_\infty \cdot L}{\nu} \right)^2 = \frac{u_\infty^2 \cdot 2^2}{(16.96 \times 10^{-6})^2} = 1.39 \times 10^{10} u_\infty^2$$

The conditions are: (i) $Gr/Re^2 \gg 1$ (ii) $Gr/Re^2 \approx 1$ (iii) $Gr/Re^2 \ll 1$

$$(i) \text{ Say } Gr/Re^2 = 10 = \frac{3.486 \times 10^{10}}{1.39 \times 10^{10} \times u_\infty^2} \quad \therefore u_\infty = 0.5 \text{ m/s}$$

$$(ii) \quad Gr/Re^2 = 1 = \frac{3.486 \times 10^{10}}{1.39 \times 10^{10} \times u_\infty^2} \quad \therefore u_\infty = 1.58 \text{ m/s}$$

$$(iii) \quad Gr/Re^2 = 0.05 = \frac{3.486 \times 10^{10}}{1.39 \times 10^{10} \times u_\infty^2} \quad \therefore u_\infty = 7.08 \text{ m/s}$$

(0.05 is chosen as a small value limit and 10 as high limit)

SOLVED PROBLEMS

Problem 10.1: Derive an expression for the velocity distribution in the boundary layer in free convection that will satisfy the boundary conditions. Determine from the same the y -location at which the velocity is maximum and the value of the maximum velocity.

Solution: The Boundary conditions are

$$(i) \quad u = 0 \text{ at } y = 0,$$

$$(ii) \quad u = 0 \text{ at } y = \delta,$$

$$(iii) \quad \frac{\partial u}{\partial y} = 0 \text{ at } y = \delta.$$

From the momentum equation, at a given location,

$$u \frac{\partial u}{\partial x} + v \frac{\partial u}{\partial y} = g \beta (T - T_\infty) + \nu \frac{\partial^2 u}{\partial y^2}$$

The LHS is zero as $u = 0$ at $y = 0$ and $v = 0$ at $y = 0$

$$(iv) \quad \therefore \quad \frac{\partial^2 u}{\partial y^2} = - \frac{g\beta (T_w - T_\infty)}{\nu} \text{ at } y = 0$$

A cubic distribution can be used as four conditions are available. Also taking a reference velocity u_x which can be eliminated later, it may be assumed that

$$\frac{u}{u_x} = a + b \cdot y + c \cdot y^2 + d \cdot y^3$$

where a , b , c and d have to be determined from the known conditions.

condition (i) leads to $a = 0$, using the second condition, $y = \delta$

$$\frac{u}{u_x} = b \delta + c \delta^2 + d \delta^3 = 0$$

$$\therefore \quad b = -(c \delta + d \delta^2) \quad \dots(P. 10.1)$$

Substituting for b and cancelling u_x

$$-c \delta - d \delta^2 + 2c \delta + 3d \delta^2 = 0$$

$$c \delta + 2d \delta^2 = 0$$

$$\therefore \quad d = -c/2\delta \quad \dots(P. 10.2)$$

Using the other boundary condition,

$$\frac{\partial^2 u}{\partial y^2} = u_x (2c + 6dy) \text{ at } y = 0, \quad 2c u_x = - \frac{g\beta (T_w - T_\infty)}{\nu} \quad \dots(P. 10.3)$$

$$\therefore \quad c = -g \beta (T_w - T_\infty)/2 \nu u_x$$

substituting this in (P. 10.2.)

$$d = -c/2\delta = g \beta (T_w - T_\infty)/4\nu u_x \delta \quad \dots(P. 10.4)$$

substituting for c and d in (P. 10.1)

$$b = -(c\delta + d\delta^2) = \frac{g\beta (T_w - T_\infty) \delta}{2\nu u_x} - \frac{g\beta (T_w - T_\infty) \delta^2}{4\nu u_x \cdot \delta} = \frac{g\beta (T_w - T_\infty) \delta}{4\nu u_x}$$

Substituting for a , b , c and d in the assumed profile

$$\frac{u}{u_x} = 0 + \frac{g\beta (T_w - T_\infty) \delta}{4\nu u_x} \cdot y - \frac{g\beta (T_w - T_\infty)}{2\nu u_x} \cdot y^2 + \frac{g\beta (T_w - T_\infty)}{4\nu u_x \delta} \cdot y^3$$

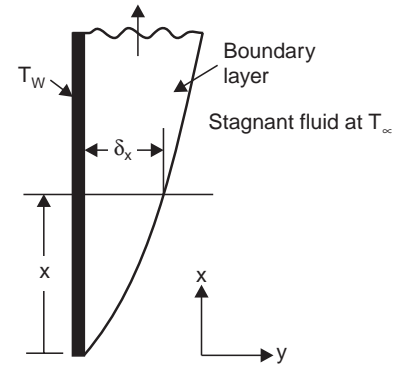


Fig. P. 10.1

$$= \frac{g\beta (T_w - T_\infty)}{4\nu u_x} [\delta \cdot y - 2y^2 + y^3/\delta] \quad \dots(\text{P. 10.6})$$

$$= \frac{g\beta (T_w - T_\infty) \delta y}{4\nu u_x} \left[1 - 2\frac{y}{\delta} + \frac{y^2}{\delta^2} \right] = \frac{g\beta (T_w - T_\infty) y}{4\nu u_x} \cdot \delta \left[1 - \frac{y}{\delta} \right]^2$$

or

$$u = \frac{g\beta (T_w - T_\infty) \delta^2}{4\nu} \cdot \frac{y}{\delta} \left[1 - \frac{y}{\delta} \right]^2 \quad \dots(\text{P. 10.5})$$

The dimensions can be checked on the RHS to be m/s.

This is the result of an assumed cubic profile satisfying the boundary conditions.

To determine the y location at which u is u_{\max} (refer P. 10.6)

$$\frac{\partial u}{\partial y} = 0$$

$$\therefore \text{constant } [\delta - 4y + 3y^2/\delta] = 0$$

$$\therefore \delta^2 - 4\delta y + 3y^2 = 0, y = \frac{4\delta \pm \sqrt{(16\delta^2 - 12\delta^2)}}{6}$$

solving for y, $y = (1/3) \delta$ or δ , the second solution is trivial.

$$\therefore \mathbf{u_{\max} \text{ occurs at } y = (1/3) \delta}$$

substituting in (P. 10.5)

$$\mathbf{u_{\max}} = \frac{g\beta (T_w - T_\infty)}{4\nu} \cdot \delta^2 \cdot \frac{\delta}{3\delta} \left[1 - \frac{1}{3} \right]^2, u_{\max} = \frac{g\beta (T_w - T_\infty) \delta^2}{27\nu} \quad \dots(\text{P. 10.6})$$

and this expression together with (P. 10.5) and (P. 10.6) can be used to determine u and u_{\max} in the laminar region.

Problem 10.2: A plate maintained at 60°C is kept vertical in still air at 20°C . Determine the velocity profile at $x = 0.4$ m. Also determine the value of u_{\max} at 0.2 0.4 and 0.6 m heights.

Solution: The film temperature is 40°C . The Property values are:

$$\rho = 1.128, \nu = 16.96 \times 10^{-6} \text{ m}^2/\text{s}, Pr = 0.699, k = 27.56 \times 10^{-3} \text{ W/mK}$$

The value of δ_x is involved in all the calculations.

$$Gr = \frac{9.81 \times 40}{313} \cdot \frac{x^3}{(16.96 \times 10^{-6})^2} = 4.36 \times 10^9 \cdot x^3$$

$$\begin{aligned} \delta_x &= 3.93 Pr^{-0.5} (0.952 + Pr)^{0.25} x \cdot Gr_x^{-0.25} \\ &= 5.328x Gr^{-0.25} = 5.328 \times Gr^{-0.25} \end{aligned}$$

$$\mathbf{u_{\max}} = \frac{g\beta (T_w - T_\infty) \delta^2}{27\nu} = 2737.7 \delta^2$$

All cases are laminar

x, m	Gr	δ_x, m	$u_{max}, m/s$
0.2	3.487×10^7	0.013868	0.527
0.4	2.789×10^8	0.016492	0.745
0.6	9.414×10^8	0.018252	0.912

At the location 0.4 m $\delta = 0.016492$ m or 16.5 mm

$$u = \frac{g\beta(T_w - T_\infty)\delta^2}{4\nu} \frac{y}{\delta} \left(1 - \frac{y}{\delta}\right)^2 = 5.026 \frac{y}{\delta} \left(1 - \frac{y}{\delta}\right)^2$$

Taking

y/δ	0.1	0.2	0.333	0.4	0.5	0.6	0.7	0.8	0.9
$u, m/s = 0.41$	0.64	0.745	0.724	0.628	0.483	0.317	0.161	0.045	

Note that the maximum value of $u = 0.745$ i.e. u_{max} at $y/\delta = 1/3$

A plot of these values will be similar to the profile in Fig. 10.1

Problem 10.3: Using the situation in problem 10.2.

- Calculate the value of average free convection heat transfer coefficient for $x = 0.6$ m and
- Compare this value with that of forced convection with $u_\infty = 0.912$ m/s.
- For free convection

Solution:

$$Nu_x = \frac{0.508 Pr^{0.5} Gr^{0.25}}{(0.952 + Pr)^{0.25}}$$

$$Gr = 9.414 \times 10^8, \quad Pr = 0.699 \quad k = 27.56 \times 10^{-3} \text{ W/mK},$$

$$\nu = 16.96 \times 10^{-6} \text{ m}^2/\text{s}$$

$$Nu_x = 65.631, \quad h_x = 3.02 \text{ W/m}^2 \text{ K},$$

$$\bar{h} = 4.03 \text{ W/m}^2 \text{ K}, \quad \left(\text{i.e. } \frac{4}{3} h_L \right)$$

Under forced convection

$$Re = \frac{u_\infty L}{\nu} = \frac{0.912 \times 0.6}{16.96 \times 10^{-6}} = 32264$$

$$Nu = 0.644 Re^{0.5} Pr^{1/3} = 102.66,$$

$$\therefore \quad \bar{h} = 4.716 \text{ W/m}^2 \text{ K}.$$

An increase of only 17% at these conditions of low velocity.

Problem 10.4: Banks of plates are used to dissipate the heat from a transformer. The plates are 0.6 m high and 0.18 m wide. The plate surface is at 80°C and the air is at 40°C. Determine the distance between the plates so that the boundary layers do not interfere. Also calculate the number of plates required to dissipate 2 kW.

Solution: This is a case of free convection. For the boundary layers not to interfere the distance between the plates should be greater than twice the boundary layer thickness.

The film temperature is $(40 + 80)/2 = 60^\circ\text{C}$

The property values are:

$$\rho = 1.06, \nu = 18.97 \times 10^{-6} \text{ m}^2/\text{s}, \\ Pr = 0.696, k = 28.96 \times 10^{-3} \text{ W/mK}$$

$$Gr = \frac{9.81 \times 1 \times 40 \times 0.6^3}{333 \times (18.97 \times 10^{-6})^2} = 0.707 \times 10^9, \quad \therefore \text{ laminar}$$

$$\delta_x = 3.93 \times Pr^{-0.5} (0.952 + Pr)^{0.25} Gr_x^{-0.25} = 0.01794 \text{ m}$$

\therefore distance between plates $= 2 \times \delta_x = 39 \text{ mm}$ or say 5 cm for safe operation.

$$Nu_x = \frac{0.508 Pr^{0.5} Gr_x^{0.25}}{(0.952 + Pr)^{0.25}} = 61.00 \quad \therefore h_x = 2.94 \text{ W/m}^2\text{K}$$

$\therefore \bar{h} = 3.93 \text{ W/m}^2 \text{ K}$

$$A = 2 \times N \times 0.18 \times 0.6, Q = 2000$$

$\therefore 2000 = 2 \times N \times 0.18 \times 0.6 \times 3.93 (80 - 40)$

$\therefore N = 59 \text{ plates or say } 60 \text{ plates.}$

Problem 10.5: A horizontal cylinder of 0.4 m dia at a surface temperature of 40°C is placed in air at 80°C . Compare the heat gain by the cylindrical surface with that of a vertical plate of height $\frac{\pi \times 0.4 \text{ m}}{2}$ under the same conditions.

Solution: This is a situation of free convection. The film temperature is 60°C . The property values of air are

$$\rho = 1.06, \nu = 18.97 \times 10^{-6} \text{ m}^2/\text{s}, Pr = 0.696, k = 28.96 \times 10^{-3} \text{ W/mK}$$

$$\text{Cylinder: } Gr = \frac{9.81 \times 1 \times 40 \times 0.4^3}{333 \times (18.97 \times 10^{-6})^2} = 2.096 \times 10^8$$

$$Gr Pr = 1.459 \times 10^8$$

The correlations applicable are:

$$Nu_u = 0.53 (Gr Pr)^{1/4} = 58.24, \quad \text{also } Nu = 0.125 (Gr Pr)^{1/3} = 65.8$$

$$h = 4.22 \text{ W/m}^2\text{K} \quad h = 4.76 \text{ W/mK}$$

Approximate sol. \bar{h} :

$$h = 1.32 (\Delta T/d)^{0.25} = 4.17 \text{ W/m}^2 \text{ K}$$

Other correlations are also available. However, these three provide a fair estimate.

Plane:

$$Gr = \frac{9.81 \times 1 \times 40 \times (\pi \times 0.4/2)^3}{333 \times (18.97 \times 10^{-6})^2} = 8.12 \times 10^8$$

$$Gr Pr = 5.653 \times 10^8$$

The correlations available are:

$$Nu = 0.59 (Gr Pr)^{1/4} = 90.98, h = 4.193 \text{ W/m}^2 \text{ K}$$

$$h = 1.42 (\Delta T/L)^{0.25}$$

$$h = 1.42 (40/\pi \times 0.2)^{0.25} = 4.01 \text{ W/m}^2 \text{ K}.$$

The heat transfer by the vertical plate is marginally lower and the cylindrical surface appears to be better.

Problem 10.6: A hot plate kept vertical in air develops a boundary layer by free convection. The thickness of the boundary layer at a distance of 0.4 m was 19 mm. (a) Estimate the location where it will be 22.5 mm (b) If the gas was carbon dioxide with $\nu = 12.6 \times 10^{-6} \text{ m}^2/\text{s}$ as compared to air with $\nu = 23.13 \times 10^{-6} \text{ m}^2/\text{s}$, determine the boundary layer thickness at 0.4 m. Assume that the Prandtl number is nearly the same and all other conditions remain unchanged.

Solution: For a given situation, δ_x is proportional to $xGr^{-0.25}$ or $x^{0.25}$

$$\frac{22.5}{19} = \frac{x^{0.25}}{0.4^{0.25}} \quad \therefore \quad x = 0.787 \text{ m}$$

δ_x is proportional to x . $Gr^{-0.25}$ as x is the same and other conditions remain unchanged,

$$\delta_x \text{ is proportional to } \frac{1}{(\nu^2)^{0.25}} \text{ or } \frac{1}{\nu^{0.5}}$$

$$\frac{\delta}{19} = \left(\frac{23.13 \times 10^{-6}}{12.6 \times 10^{-6}} \right)^{0.5} \quad \therefore \quad \delta = 25.74 \text{ mm}$$

It is assumed that laminar conditions prevail in both cases.

Problem 10.7: An athlete lies still on the ground in cool air at 24°C. His body temperature is 36°C. Approximating his body to be a cylinder of 0.3 m dia and 2 m long, determine the heat loss from his body.

Compare this with the heat loss when he runs a 400 m distance in 55 sec, the other surrounding conditions remaining the same. Neglect end losses.

Solution: Considering free convection over horizontal cylinder. The film temperature is 60/2 = 30°C. The property values are $\rho = 1.165 \text{ kg/m}^3$, $\nu = 16 \times 10^{-6} \text{ m}^2/\text{s}$, $Pr = 0.701$, $k = 26.75 \times 10^{-3} \text{ W/mK}$.

$$Gr = \frac{9.81}{303} \times \frac{12 \times 0.3^3}{(16 \times 10^{-6})^2} = 4.098 \times 10^7$$

$$Gr Pr = 2.872 \times 10^7$$

A suitable correlation is

$$Nu = 0.36 + \frac{0.518 (Gr Pr)^{0.25}}{[1 + (0.559/Pr)^{9/16}]^{4/9}} = 29$$

$$\therefore \quad h = 2.586 \text{ W/m}^2 \text{ K}$$

$$\therefore \quad \text{Heat loss rate} = \pi \times 0.3 \times 2 \times 2.586 (12) = 58.5 \text{ W}$$

If the athlete runs, then it is forced convection

$$u_\infty = 400/55 \text{ m/s}$$

$$\therefore Re = \frac{0.3 \times 400}{55 \times 16 \times 10^{-6}} = 1.36 \times 10^5$$

The correlation is (over cylinder)

$$Nu = 0.0266 Re^{0.805} Pr^{1/3} = 321.28$$

$$\therefore \mathbf{h = 28.65 \text{ W/m}^2 \text{ K}}$$

This is more than 10 times the value for free convection.

Problem 10.8: Cans of tomato sauce are to be cooled in a refrigerator. The cans are cylindrical and 20 cm in length and 15 cm in diameter. The can surface is at 30°C and the air in the refrigerated space is at 10°C. Two alternate stacking are possible—namely vertical stacking and horizontal stacking. Determine the method that will be better. Neglect cooling on the end surfaces.

Solution: The film temperature = 20°C. The property values are $\rho = 1.205 \text{ kg/m}^3$,
 $\nu = 15.06 \times 10^{-6} \text{ m}^2/\text{s}$, $Pr = 0.703$, $k = 25.93 \times 10^{-3} \text{ W/mK}$.

For vertical stacking:

$$Gr = \frac{9.81 \times 20 \times 0.2^3}{293 \times (15.06 \times 10^{-6})^2} = \mathbf{2.362 \times 10^7}$$

$$Gr Pr = 1.6605 \times 10^7 \quad \therefore \text{Laminar}$$

$$35/Gr^{0.25} = 0.50$$

The diameter is less than this value.

So it is necessary to consider this as short cylinder with $D = H$

$$Nu = 0.775 (Gr Pr)^{0.208}$$

$$\frac{1}{L} = \frac{1}{L_G} + \frac{1}{L_V} = \frac{1}{0.15} + \frac{1}{0.2}$$

$$\mathbf{L = 0.086}$$

$$\therefore Gr = \frac{9.81 \times 20}{293} \times \frac{0.086^3}{(15.06 \times 10^{-6})^2} = \mathbf{1.88 \times 10^6}$$

$$\therefore Nu = 14.534 \quad \therefore \mathbf{h = 4.381 \text{ W/m}^2 \text{ K}}$$

Horizontal stacking:

$$Gr = \frac{9.81 \times 20}{293} \times \frac{0.15^3}{(15.06 \times 10^{-6})^2} = 9.964 \times 10^6$$

$$Gr Pr = 7.005 \times 10^6$$

The correlation is

$$Nu = 0.48 (Gr Pr)^{0.25} = 24.694$$

$$\therefore \mathbf{h = 4.27 \text{ W/m}^2 \text{ K}}$$

There is no distinct advantage due to the method of stacking for this size and conditions, as the linear dimensions are close.

Problem 10.9: Plate type of coolers are used to cool the oil in a transformer. The design specified 0.6 m high 0.2 m wide plates. The surface temperature was 80°C and air temperature was 20°C. During installation, 0.2 m side was placed vertical by mistake. Determine the change in the convection coefficient and the heat loss.

Solution: The film temperature is 50°C. The property values are:

$$\rho = 1.093, \nu = 17.95 \times 10^{-6}, Pr = 0.698, k = 28.26 \times 10^{-3} \text{ W/mK}$$

Case 1: 0.6 m vertical:

$$Gr = \frac{9.81 \times 60 \times 0.6^3}{323 \times (17.95 \times 10^{-6})^2} = 1.22 \times 10^9$$

$$Gr Pr = 0.8527 \times 10^9, \text{ laminar}$$

one of the applicable correlation is

$$Nu = 0.68 + \frac{0.670 (Gr Pr)^{0.25}}{[1 + (0.492/Pr)^{9/16}]^{4/9}} = 88.39$$

$$\mathbf{h = 4.163 \text{ W/m}^2 \text{ K}}$$

$$\mathbf{Case 2: 0.2 m vertical} \quad Gr = \frac{9.81 \times 60 \times 0.2^3}{323 \times (17.95 \times 10^{-6})^2} = 4.52 \times 10^7$$

$$Gr Pr = 3.158 \times 10^7$$

using the same correlations, $Nu = 39.16$, $\mathbf{h = 5.533 \text{ W/m}^2 \text{ K}}$

Heat flow increases by 33%

Short lengths provide higher values of heat transfer coefficient.

Problem 10.10: A vertical surface 5 m high is at 80°C and is surrounded by still air at 20°C. Determine the average value of convective heat transfer coefficient at 1 m intervals and also at the location where $Gr = 10^9$.

Solution: The film temperature is 50°C. The property values are:

$$\rho = 1.093, \nu = 17.95 \times 10^{-6} \text{ m}^2/\text{s}, Pr = 0.698, k = 28.26 \times 10^{-3} \text{ W/mK}$$

At $Gr = 10^9$

$$10^9 = \frac{9.81 \times 60}{323} \times \frac{L^3}{(17.95 \times 10^{-6})^2} \quad \therefore L = 0.561 \text{ m.}$$

$$Nu = 0.59 (Gr Pr)^{1/4} = 95.9, \mathbf{h = 4.83 \text{ W/m}^2 \text{ K}}$$

For other lengths:

Using the simpler correlation for the turbulent region, beyond 0.561 m

$$Nu = 0.1 (Gr Pr)^{1/3}$$

Length, m	1	2	3	4	5
$Gr Pr$	3.948×10^9	3.158×10^{10}	1.066×10^{11}	2.526×10^{11}	4.93×10^{11}
Nu	158.05	316.09	474.14	632.18	790.23
h	4.466	4.466	4.466	4.466	4.466

This shows that in the turbulent region, the value of convection coefficient remains the same. (Justify from the equations)

Problem 10.11: A vertical water heater element is in the form of a cylinder of 6 cm dia and 45 cm length and its surface is maintained at 80°C. Water at 20°C is to be heated. Investigate the vertical and horizontal configurations.

Solution: The film temperature is $(80 + 20)/2 = 50^\circ\text{C}$, (usual units)

$$\rho = 990, \nu = 0.5675 \times 10^{-6}, k = 0.63965, \beta = 0.48 \times 10^{-3}, Pr = 3.68$$

$$\text{Vertical:} \quad Gr = \frac{9.81 \times 0.48 \times 10^{-3} \times 60 \times 0.45^3}{(0.5675 \times 10^{-6})^2} = 7.994 \times 10^{10}$$

$$\frac{35}{Gr^{0.25}} = 0.065 \text{ marginally larger}$$

\therefore vertical plate configuration can be used

$$Nu = 0.1 (Gr Pr)^{1/3} = 665.07, \mathbf{h = 945.37 \text{ W/m}^2 \text{ K}}$$

$$\text{Horizontal:} \quad Gr = \frac{9.81 \times 0.48 \times 10^{-3} \times 60 \times 0.06^3}{(0.5675 \times 10^{-6})^2} = 0.1895 \times 10^9$$

$$Nu = 0.125 (Gr Pr)^{0.333}$$

$$Nu = 110.85, \mathbf{h = 1181.7 \text{ W/m}^2 \text{ K}}$$

Horizontal configuration is found better by about 25%.

Problem 10.12: A long horizontal cylindrical heater rod of diameter 2.5 cm is used to heat liquid sodium. The heater surface is at 400°C and the liquid is at 200°C. Determine the value of convection coefficient.

Solution: The film temperature is 300°C (usual units)

Property values are $\rho = 878, \nu = 0.394 \times 10^{-6}, Pr = 0.0063, k = 70.94$

$$\beta = ((903 - 854)/200) \frac{1}{878} = 2.79 \times 10^{-4}$$

The correlation available is (eqn. 10.36)

$$Nu = 0.53 (Gr Pr^2)^{1/4}$$

$$Gr = \frac{9.81 \times 2.79 \times 10^{-4} \times 0.025^3 \times 200}{(0.394 \times 10^{-6})^2} = 55.1 \times 10^6$$

$$\therefore Nu = 3.624 \quad \therefore \mathbf{h = 10284 \text{ W/m}^2 \text{ K.}}$$

High value due to liquid metal.

Problem 10.13: A long horizontal cooling water tube of 2.5 cm OD is immersed in hot oil bath at 100°C. The tube surface is at 20°C. Determine the value of convection coefficient.

Solution: The film temperature is 60°C, oil is on the outside.

$$\rho = 864, \nu = 83 \times 10^{-6} \text{ m}^2/\text{s}, Pr = 1050, k = 0.1407 \text{ W/m K}$$

$$\beta = \frac{876 - 852}{40} \times \frac{1}{864} = 6.944 \times 10^{-4}/\text{K}$$

$$Gr = \frac{9.81 \times 6.944 \times 10^{-4} \times 80 \times 0.025^3}{(83 \times 10^{-6})^2} = 1236.12$$

$$Nu = 0.36 + \frac{0.518 (Gr Pr)^{1/4}}{[1 + (0.559/Pr)^{9/16}]^{4/9}} = 17.733$$

$$\therefore \quad \mathbf{h = 99.8 \text{ W/m}^2 \text{ K.}}$$

Problem 10.14: A sphere of dia 2 m storing chilled brine at -10°C is insulated by having it enclosed in another sphere of 2.1 m dia. The gap is filled with air at 0.05 atm. The outside sphere is at 30°C . Determine the heat convection across the space.

Solution: The film temperature is 10°C

$$\rho = 1.247 \times 0.05, \mu = 17.65 \times 10^{-6} \text{ kg/ms,}$$

$$Pr = 0.705, k = 25.12 \times 10^{-3} \text{ W/mK. Available correlation is}$$

$$\frac{k_{\text{eff}}}{k} = 0.74 \left[\frac{b^{1/4}}{D_o D_i (D_i^{-7/5} + D_o^{-7/5})^{5/4}} \right] (Gr Pr)^{1/4} \left[\frac{Pr}{0.861 + Pr} \right]^{1/4}$$

$$2b = D_o - D_i, b = 0.1/2 = 0.05$$

K_{eff} = the thermal conductivity that a motionless fluid (with k) in the gap should have to transfer the same amount of heat as the moving fluid.

$$\begin{aligned} \frac{\mathbf{k}_{\text{eff}}}{\mathbf{k}} &= 0.74 \left[\frac{0.05^{0.25}}{2.1 \times 2(2^{-7/5} + 2.1^{-7/5})^{5/4}} \right] \\ &\times \left[\frac{9.81 \times 1 \times 40 \times 0.05^3}{283 \times [(17.65 \times 10^{-6}/(1.247 \times 0.05))^2] \times 0.705} \right]^{0.25} \times \left[\frac{0.705}{0.861 + 0.705} \right]^{0.25} = \mathbf{0.629} \end{aligned}$$

considering the heat flow as though by conduction,

$$\begin{aligned} \mathbf{Q} &= k_{\text{eff}} \pi (D_i D_o / b) (T_i - T_o) \\ &= 0.629 \times 25.12 \times 10^{-3} \times \pi \times (2.1 \times 2/0.05) \times 40 = \mathbf{166.8 \text{ W.}} \end{aligned}$$

Problem 10.15: A weather balloon of dia 4 m is at an altitude where the pressure is 0.1 atm and the temperature is -40°C . The balloon surface is at 0°C . (a). Determine rate of heat loss from the surface at the instant. (b) If air flows over the balloon at 0.3 m/s, determine the value of convective heat transfer coefficient due to forced convection. (c) What is the velocity of flow which will give the same value of convection coefficient as in free convection.

Solution: The properties are to be evaluated at the film temperature of -20°C

$$\rho = 1.395, Pr = 0.716, k = 22.79 \times 10^{-3}, \mu = 16.18 \times 10^{-6} \text{ kg/ms}$$

As the pressure is 0.1 atm

$$\rho = 0.1 \times 1.395 = 0.1395 \text{ kg/m}^3, \nu = (16.18 \times 10^{-6}/0.1395) \text{ m}^2/\text{s}$$

$$Gr = 9.81 \times \frac{1}{253} \times \frac{40 \times 4^3}{(16.18 \times 10^{-6} / 0.1395)^2} = 7.379 \times 10^9$$

$$Gr Pr = 5.283 \times 10^9$$

(a) For sphere,

$$Nu = 2 + 0.50 (Gr Pr)^{0.25} = 136.8$$

$$\therefore \quad \mathbf{h = 0.779 \text{ W/m}^2 \text{ K}}$$

$$\therefore \quad \mathbf{Q = 4\pi r^2 h(T_w - T_\infty) = 4\pi \times 2^2 \times 0.779 \times 40 = 1567 \text{ W}}$$

(b) **Forced convection** with $u = 0.3$ m/s

$$Re = \frac{u D}{\nu} = \frac{0.3 \times 4}{(16.18 \times 10^{-6} / 0.1395)} = 10346.1$$

$$Nu = 2 + [0.25 Re + 3 \times 10^{-4} Re^{1.6}]^{0.5} = 60.16$$

$$\therefore \mathbf{h = 0.343 \text{ W/m}^2\text{K}}$$

(c) $\mathbf{h = 0.779}$, $Nu = \frac{h D}{k} = \frac{0.779 \times 4}{22.79 \times 10^{-3}} = 139.4$

$$139.4 = 2 + (0.25 Re + 3 \times 10^{-4} Re^{1.6})^{0.5}$$

$$\therefore 0.25 Re + 3 \times 10^{-4} Re^{1.6} = 18868$$

solving by trial

$$Re = 43600 \quad \therefore \mathbf{u = 1.27 \text{ m/s.}}$$

Problem 10.16: *In a solar flat plate collector the plate is of 1 m square and its temperature is 160°C and the glass cover plate at a distance of 8 cm from the collector surface is at 40°C. The space between is evacuated and is at 0.1 atm. Determine the heat transfer coefficient if the collector is inclined at 20°C to the horizontal.*

Solution: The film temperature is 100°C (usual units)

$$\rho = 0.946 \times 0.1, Pr = 0.688, k = 32.10 \times 10^{-3}, \mu = 21.87 \times 10^{-6}$$

$$Gr Pr = \frac{9.81 \times 120 \times 0.08^3 \times 0.688}{373 \times (21.87 \times 10^{-6} / 0.946 \times 0.1)^2} = 20801$$

$$Nu_{\delta} = 0.42 (Gr Pr \cos \theta)^{0.25} Pr^{0.012} (L/\delta)^{-0.3} = 2.317$$

$$\mathbf{h = 0.998 \text{ W/m}^2 \text{ K}}$$

It pressure is 1 atm: $Gr Pr = 2081 \times 10^6$

$$\therefore Nu_{\delta} = 0.42 (Gr Pr \cos \theta)^{0.25} Pr^{0.012} (L/\delta)^{-0.30} = 7.33$$

$$\therefore \mathbf{h = 2.94 \text{ W/m}^2 \text{ K.}}$$

Problem 10.17: *Determine the spacing between two plates of 1 m square for heat transfer by free convection to be the same as heat transfer by conduction. One plate is at 40°C while the other is at 20°C. Assume that all four edges are closed.*

Solution: This is a case of enclosed space. It can be shown that

$$Nu_{\delta} = \frac{k_{\text{eff}}}{k}$$

If $k_{\text{eff}} = k$, then the heat transfer by convection will equal the heat transfer by conduction. Considering the laminar region.

$$Nu_{\delta} = 0.42 (Gr_{\delta} Pr)^{0.25} Pr^{0.012} (L/\delta)^{-0.30}$$

$$1 = 0.42 \left[\frac{g \beta \delta^3}{\nu^2} Pr \right]^{0.25} Pr^{0.012} (L)^{-0.3} \delta^{0.30}$$

$$1 = \delta^{1.05} 0.42 \left[\frac{g \beta Pr}{\nu^2} \right]^{1/4} Pr^{0.012} L^{-0.30}$$

$$L^{0.3}/0.42 \left[\frac{g \beta Pr}{\nu^2} \right]^{1/4} Pr^{0.012} = \delta^{1.05}$$

In this case $\nu = 16 \times 10^{-6} \text{ m}^2/\text{s}$ $Pr = 0.701$ $k = 26.75 \times 10^{-3} \text{ W/mK}$

$$\therefore \delta^{1.05} = 1^{0.3}/0.42 \left[\frac{9.81 \times 0.701}{303 (16 \times 10^{-6})^2} \right]^{0.25} (0.701)^{0.012} = 0.02464$$

$$\therefore \delta = 0.02939 \text{ m or } 29.4 \text{ mm}$$

Conduction through an air gap of 29.4 mm will be the same as due to free convection in the enclosed space.

Problem 10.18: A cylinder of dia 0.04 m and length 1.2 m is *inclined to vertical* at 30°C its surface is maintained at 80°C in air at 20°C. Determine the value of convection coefficient.

Solution: The film temperature is 50°C

$$\nu = 17.95 \times 10^{-6} \text{ m}^2/\text{s}, Pr = 0.698, k = 28.26 \times 10^{-3} \text{ W/mK}$$

$$Gr_L Pr = \frac{9.81 \times 60 \times 1.2^3}{323 \times (17.95 \times 10^{-6})^2} \times 0.698 = 6.82 \times 10^9$$

$$Gr_D = 3.62 \times 10^5 \text{ (within applicable limits, } 6.9 \times 10^5)$$

Using available **data book** correlations:

$$(Gr_L Pr)_{cr} = 2.6 \times 10^9 + 1.1 \times 10^9 \times \tan \theta = 3.23 \times 10^9$$

\therefore Flow is turbulent

$$\begin{aligned} Nu_L &= [0.47 + 0.11 (\sin \theta)^{0.8}] Gr_D^{-1/12} (Gr_L Pr)^{1/3} \\ &= [0.47 + 0.11 (\sin 30)^{0.8}] (Gr_L Pr)^{1/3} \cdot Gr_D^{-1/12} = 347.94 \end{aligned}$$

$$\therefore h = 8.19 \text{ W/m}^2 \text{ K.}$$

Problem 10.19: A cylinder of 0.04 m dia and 0.6 m length is inclined at 30°C to the vertical and its surface is maintained at 80°C in air at 20°C. Determine the value of convection coefficient.

Solution: The film temperature is 50°C, $\nu = 17.95 \times 10^{-6} \text{ m}^2/\text{s}$

$$Pr = 0.698 \quad k = 28.26 \times \text{W/mK}$$

$$Gr_L Pr = \frac{9.81 \times 60 \times 0.6^3}{323 \times (17.95 \times 10^{-6})^2} \times 0.698 = 0.8527 \times 10^9$$

This is less than the critical value of

$$2.6 \times 10^9 + 1.1 \times 10^9 \tan \theta = 3.23 \times 10^9 \text{ for this case.}$$

From hand book,

$$\therefore Nu_L = [2.9 - 2.32 (\sin \theta)^{0.8}] (Gr_D)^{-1/12} (Gr_L Pr)^{(1/4+(1/12) (\sin \theta)^{1.21}}$$

$$Gr_D = 3.62 \times 10^5 \quad \therefore \text{ within applicable limits}$$

$$\therefore Nu_L = 194.37 \quad \therefore h = 9.15 \text{ W/m}^2 \text{ K}$$

This is reasonable as h in the laminar region in free convection is generally higher than that in the turbulent region.

Problem 10.20: A square duct of 0.3 m side carrying conditioned air at 10°C passes in a room at 30°C. Determine the heat gain for 1 m length.

Solution: The film temperature is 20°C

$$\nu = 15.06 \times 10^{-6} \text{ m}^2/\text{s}, Pr = 0.703, k = 25.93 \times 10^{-3} \text{ W/mK}$$

In this case the length of travel of a particle along the boundary layer is to be taken as the characteristic length.

$$L = 0.3 + 0.3 = 0.6 \text{ m}$$

$$Gr Pr = \frac{9.81 \times 20 \times 0.6^3}{293 \times (15.06 \times 10^{-6})^2} \cdot 0.703 = 4.48 \times 10^8$$

$$Nu = 0.52 (Gr Pr)^{0.25} = 75.666$$

$$\therefore \quad \mathbf{h = 3.27 \text{ W/m}^2 \text{ K}}$$

$$\mathbf{Q = 2 \times 0.6 \times 3.27 (30 - 10) = 78.48 \text{ W/m.}}$$

Problem 10.21: A ceramic block at 480°C is 0.2 m × 0.2 m × 0.1 with 0.1 m vertical. It is exposed to air at 20°C. Determine the rate of heat loss to the air.

Solution: The film temperature is (480 + 20)/2 = 250°C

The property values are

$$\nu = 40.61 \times 10^{-6} \text{ m}^2/\text{s}, Pr = 0.677, k = 42.68 \times 10^{-3} \text{ W/mK}$$

The characteristic length is given by

$$\frac{1}{L} = \frac{1}{L_H} + \frac{1}{L_V} = \frac{1}{0.2} + \frac{1}{0.1} \quad \therefore \quad L = 0.067 \text{ m}$$

$$\therefore \quad Gr Pr = \frac{9.81 \times 460 \times 0.067^3}{(273 + 250) (40.61 \times 10^{-6})^2} \cdot 0.677 = 1.05 \times 10^6$$

$$Nu = 0.52 (Gr Pr)^{0.25} = 16.74 \quad \therefore \quad \mathbf{h = 10.60 \text{ W/m}^2 \text{ K}}$$

$$\therefore \quad \mathbf{\text{heat loss} = h A \Delta T = 10.6 \times \{4 \times 0.2 \times 0.1 + 2 \times 0.2 \times 0.2\} \times 460 = 780.3 \text{ W.}}$$

Problem 10.22: A small copper block having a square bottom of 3 cm side and vertical height of 6 cm at 100°C cools in air at 20°C.

Calculate the convection coefficient.

Solution: The film temperature is (100 + 20)/2 = 60°C

The property values are:

$$\nu = 18.97 \times 10^{-6} \text{ m}^2/\text{s}, Pr = 0.696, k = 28.96 \times 10^{-3} \text{ W/mK}$$

The length parameter is

$$\frac{1}{L} = \frac{1}{L_V} + \frac{1}{L_H} = \frac{1}{0.03} + \frac{1}{0.06} \quad \therefore \quad L = 0.02 \text{ m}$$

$$\therefore \quad \mathbf{Gr} = \frac{9.81 \times 80 \times 0.02^3}{(273 + 60)(18.97 \times 10^{-6})^2} = 52393$$

$$Nu = 0.52 \times (Gr Pr)^{0.25} = 7.186$$

$$\therefore \quad \mathbf{h = 10.40 \text{ W/m}^2 \text{ K}}$$

if the length of travel is considered:

$$\begin{aligned} L &= 0.03 + 0.06 = 0.09 \text{ m} \\ \therefore Gr &= 4774312 \\ \therefore Nu &= 22.2, \quad \therefore \mathbf{h = 7.14 \text{ W/m}^2 \text{ K.}} \end{aligned}$$

Problem 10.23: A triangular plate of equal sides of 0.6 m is maintained horizontally in air at 20°C. The plate temperature is 80°C. The hotter side of the plate faces down. Determine the value of convection coefficient.

Solution: The film temperature = 50°C

Property values are: $v = 17.95 \times 10^{-6} \text{ m}^2/\text{s}$, $Pr = 0.698$

$$k = 28.26 \times 10^{-3} \text{ W/mK}$$

$$L = A/P = \left(\frac{0.6 \times 0.6 \sin 60^\circ}{2} \right) / 3 \times 0.6 = 0.0866 \text{ m}$$

$$Gr = \frac{9.81}{323} \times \frac{60 \times 0.0866^3}{(17.95 \times 10^{-6})^2} = 3.67 \times 10^6$$

Using values from table 10.1

$$Nu = 0.27 \times (Gr Pr)^{0.25} = 10.8$$

$$\therefore \mathbf{h = 3.5 \text{ W/m}^2 \text{ K.}}$$

Problem 10.24: A cylindrical vessel of dia 1 m contains chilled brine at -20°C. It is surrounded by a another vessel of 1.1 m dia. The space between contains air at 0.05 atm pressure. The outside vessel wall is at 20°C. Determine the heat flow for 1 m length of vessel.

Solution: The average temperature = 0°C

The property values are $\rho = 1.293 \times 0.05$

$$Pr = 0.707, \mu = 17.16 \times 10^{-6} \text{ kg/ms}, k = 24.42 \times 10^{-3} \text{ W/mK}, b = 0.05 \text{ m}$$

From data book,

$$\frac{k_{\text{eff}}}{k} = 0.386 \left[\frac{Pr}{0.861 + Pr} \right]^{0.25} [R_{ac}]^{0.25} \left[\frac{\ln(D_0/D_i)}{b^{0.75} (D_i^{-0.6} + D_0^{-0.6})^{1.25}} \right]$$

$$\mathbf{k_{\text{eff}}/k = 0.809}$$

$$\mathbf{Q = \frac{2\pi k_{\text{eff}}}{\ln D_0/D_1} [T_1 - T_0] = \frac{2\pi \times 0.809 \times 24.42 \times 10^{-3}}{\ln 1.1/1} [40] = 52 \text{ W.}}$$

Problem 10.25: Two vertical plates 1.2 m × 1.2 m enclose an air space of 4 cm thickness. One plate is at 40°C, while the other is at 20°C. Determine the value of k_{eff}/k for various pressures from 1 atm to 0.05 atm.

Solution: The film temperature = 30°C,

The property values are,

$$\rho = 1.165, Pr = 0.701, k = 26.75 \times 10^{-3} \text{ W/mK},$$

$$\mu = 18.63 \times 10^{-6} \text{ kg/ms}$$

at 1 atm,

$$v = 18.63 \times 10^{-6} / 1.165 = 15.99 \times 10^{-6}$$

$$Gr_{\delta} = \frac{9.81}{303} \times 20 \times \frac{0.04^3 \times (1.165)^2}{(18.63 \times 10^{-6})^2} = 1.621 \times 10^5$$

$$\frac{k_{\text{eff}}}{k} = Nu_{\delta} = 0.42 (Gr_{\delta} Pr)^{1/4} Pr^{0.012} (L/\delta)^{-0.30} = 2.77$$

$$0.9 \text{ atm, } v = 18.63/(1.165 \times 0.9) = 17.768 \times 10^{-6} \text{ m}^2/\text{s}$$

$$\frac{k_{\text{eff}}}{k} = 0.42 (Gr Pr)^{1/4} Pr^{0.012} (L/\delta)^{-0.30} = 0.13794 (Gr)^{1/4} = 2.7676. P^{0.5}$$

$$Gr = \frac{9.81 \times 20 \times 0.04^3 \times (1.165)^2 (P^2)}{303 \times (18.63 \times 10^{-6})^2} = 162055 P^2$$

The results are shown tabulated

Pressure atm	k_{eff}/k	pressure atm	k_{eff}/k
1	2.77	0.3	1.516
0.9	2.63	0.2	1.238
0.8	2.475	0.15	1.072
0.7	2.316	0.14	1.036
0.6	2.144	0.13	0.998
0.5	1.957	0.10	0.875

When the density is reduced to 0.13 atm, the heat transfer by convection is equal to heat transfer by pure conduction.

Problem 10.26: Two glass plates 1 m × 1 m enclose air at a pressure of 0.1 atm. The plate temperatures are 30°C and 10°C. Determine the thickness of air space so that heat transferred by convection will be the same as heat conducted by the air film.

Solution: For this condition $k_{\text{eff}}/k = 1$

$$\text{Film temperature} = 20^\circ\text{C}, \rho = 1.025 \times 0.1, Pr = 0.703$$

$$\mu = 18.14 \times 10^{-6} \text{ kg/ms } k = 25.93 \times 10^{-3} \text{ W/mK}$$

$$v = (18.14 \times 10^{-6}/1.205 \times 0.1) = 150.53 \times 10^{-6} \text{ m}^2/\text{s}, L = 1$$

$$k_{\text{eff}}/k = 0.42 (Gr Pr)^{0.25} Pr^{0.012} (L/\delta)^{-0.3} = 1$$

$$0.42 \times \left[\frac{9.81 \times 20}{293 \times (150.53 \times 10^{-6})^2} \right]^{0.25} 0.703^{0.262} \delta^{1.05} 1^{-0.3} = 1$$

$$\therefore \delta = 0.0415 \text{ m or } 4.15 \text{ cm.}$$

Problem 10.27: A sphere of 30 mm dia has its surface maintained at 80°C while being immersed in still (i) air (ii) water (iii) oil at 20°C. Determine the power required to maintain the temperature.

Solution: The property values evaluated at 50°C are

	ν	Pr	k	β
air	17.95×10^{-6}	0.698	28.26×10^{-3}	1/323
oil	162×10^{-6}	1960	0.14245	6.9×10^{-3}
Water	0.5675×10^{-6}	3.68	0.63965	0.48×10^{-3}

$$\text{Air: } Gr Pr = \frac{9.81 \times 60 \times 0.03^3}{323 \times (17.95 \times 10^{-6})^2} \times 0.698 = 1.066 \times 10^5$$

$$Nu = 2 + 0.43 (Gr Pr)^{0.25} = 9.77 \text{ (Eqn. 10.37)}$$

$$\therefore h = 9.2 \text{ W/m}^2 \text{ K}$$

$$\text{Water: } Gr Pr = \frac{9.81 \times 0.48 \times 10^{-3} \times 60 \times 0.03^3}{(0.5675 \times 10^{-6})^2} \times 3.68 = 8.716 \times 10^7$$

$$Nu = 2 + 0.50 (Gr Pr)^{0.25} = 50.31$$

$$\therefore h = 1072.7 \text{ W/m}^2 \text{ K}$$

$$\text{Oil: } Gr Pr = \frac{9.81 \times 6.9 \times 10^{-3} \times 60 \times 0.03^3 \times 1960}{(162 \times 10^{-6})^2} = 8.19 \times 10^6$$

$$Nu = 28.75 \quad h = 136.5 \text{ W/m}^2 \text{ K}$$

$$\text{Power required} = h A \Delta T, 4\pi (0.03/2)^2 \times 60 \times h = 0.16965 h$$

$$\text{Air: 1.56 W, Water: 181.98 W, Oil: 23.16 W.}$$

Problem 10.28: Water in a pan of 20 cm diameter to depth of 10 cm and at 20°C is heated by an electrical heater on its bottom which maintains a constant temperature of 80°C. Determine the initial rate of heating. Neglect all losses.

Solution: This is a case where a limited amount of fluid (enclosed) is heated from bottom. The correlation available is (data book).

$$Nu_{\delta} = 1 + 1.44 \left[1 - \frac{1708}{Ra_{\delta}} \right] + \left[\left(\frac{Ra_{\delta}}{5830} \right)^{1.3} - 1 \right]$$

$$Ra_{\delta} = Gr_{\delta} Pr \text{ based on thickness } \delta$$

The property values are: at 50°C $\nu = 0.5675 \times 10^{-6} \text{ m}^2/\text{s}$

$$Pr = 3.68 \quad k = 0.63965 \quad \beta = 0.48 \times 10^{-3}$$

$$Ra_{\delta} = Gr Pr = \frac{9.81 \times 0.48 \times 10^{-3} \times 60 \times 0.1^3}{(0.5675 \times 10^{-6})^2} \times 3.68 = 3.228 \times 10^9$$

$$Nu = 1 + 1.44 + 81.12 = 83.56$$

$$\therefore h = 535 \text{ W/m}^2 \text{ K}$$

$$\text{Heating rate} = \frac{\pi D^2}{4} \cdot h \Delta T = 1008.5 \text{ W or about 1 kW.}$$

OBJECTIVE QUESTIONS

Choose the correct Statement in the following cases.

- 10.1** (a) Buoyant forces and inertia forces only influence free convection heat transfer.
 (b) Viscous and buoyant forces only influence free convection heat transfer.
 (c) Viscous and inertia forces only influence free convection heat transfer.
 (d) Viscous, inertia and buoyant forces influence the heat transfer in free convection.
- 10.2** The heat transfer rate in free convection in the laminar region depends on
 (a) ΔT (b) $\Delta T^{1.25}$ (c) $\Delta T^{1.33}$ (d) $\Delta T^{0.25}$.
- 10.3** The heat transfer rate in free convection in the turbulent region depends on
 (a) $\Delta T^{1.33}$ (b) ΔT (c) $\Delta T^{0.33}$ (d) $\Delta T^{1.25}$.
- 10.4** The convection coefficient in free convection over a vertical plate in the laminar region depends on
 (a) $L^{-0.25}$ (b) $L^{-1.25}$ (c) $L^{-0.33}$ (d) $L^{+0.25}$.
- 10.5** The convection coefficient in the case of a vertical plane in free convection in turbulent region depends on
 (a) $L^{-0.25}$ (b) $L^{0.25}$ (c) $L^{0.0}$ (d) $L^{0.33}$.
- 10.6** When some flow velocity is superimposed on free convection, the predominance of either is determined by
 (a) $Gr \gg Re^2$ means forced convection
 (b) $Gr \approx Re^2$ means none of the two
 (c) $Gr < Re^2$ means free convection
 (d) $Gr = Re$ means purely free convection.
- 10.7** In free convection, the slope of the curve Nu vs $Gr Pr$
 (a) Increases with increasing $Gr Pr$
 (b) Decreases with increasing $Gr Pr$
 (c) Increases and then decreases with increasing $Gr Pr$
 (d) Decreases and then increases with increasing $Gr Pr$.

Answers

1. (d) 2. (b) 3. (a) 4. (a) 5. (c) 6. (b)
 7. (a).

EXERCISE PROBLEMS

- 10.1** A large chemical process tank is in the form of a cylinder of 2 m dia and 4.5 m high. The surface temperature is 80°C and the surrounding air is at 40°C . Determine the rate of heat loss over the curved surface under these conditions.
- 10.2** 100 m^3 of chemical at 80°C is to be stored in a process plant. Examine the heat loss by free convection from the following shapes. (i) cubical (ii) vertical cylinder of $D : L = 1 : 3$ (iii) horizontal cylinder of the same length to diameter ratio (iv) sphere. The surrounding is at 20°C . In the case of cylinder neglect the end losses and for the cubical shape from the top and bottom.
- 10.3** A cylindrical tank of 1 m dia and 2 m height has its surface maintained at 120°C . It contains water at 20°C . Determine the free convection heat transfer coefficient at the surface.

- 10.4** A hot water tank contains water at a bulk temperature of 60°C. It is of 1 m × 1 m section and 2 m high. The sides are exposed to air at 20°C. Determine the values of convection coefficients on the air side and also the wall temperature.
- 10.5** A room heater radiator (really convector) has steam panels of 0.6 m × 1 m size. The surface temperature is 50°C and the room air is at 10°C. Investigate which way of positioning the panel will be better.
- (i) 0.6 m side vertical (ii) 1 m side vertical (iii) Horizontal with heating from both sides.
- 10.6** The following two options are available for heating room air at 0°C.
- (i) horizontal steam pipes of 20 cm dia running along the wall of the room (5 m length)
- (ii) Vertical pipes of the same dia running along the wall of the room (two 2.5 m height)
- Determine in which case the heat transfer will be higher.
- 10.7** In winter the walls of a room are at 5°C. The room air is maintained at 25°C. Determine the convection coefficient over a wall of 3 m height.
- 10.8** In an air conditioned room the air is at 20°C. The wall is heated by direct solar radiation to 35°C. Determine the value of convection coefficient over a wall 3 m high.
- 10.9** A horizontal black surface 1 m × 1 m receives radiant flux of 1.5 kW/m². The bottom is insulated. The air is at 20°C. Determine the value of average convective heat transfer coefficient and the temperature of the surface.
- 10.10** A horizontal surface receives heat at 1.5 kW/m² on the bottom side and has its top insulated. The bottom is exposed to air at 20°C. Determine the surface temperature at equilibrium.
- 10.11** Vertical plate heaters are used to heat milk in a tank. The plates are 0.2 m wide and 0.6 m long and the surface is at 90°C. The milk is at 30°C. Determine the value of average convective heat transfer coefficient for the following positions.
- (i) 0.2 m side vertical (ii) 0.6 m side vertical
- (iii) horizontal, both sides heated
- (iv) plates with 0.6 m side inclined at 30° with vertical.
- Assume properties of water for the milk.
- 10.12** A horizontal steam pipe with a surface temperature of 90°C is used to heat water in a large tank, the water being at 30°C. Determine the heat flow per 1 m length of the pipe.
- 10.13** A surface 1 m × 1 m size is inclined at 45° to the vertical. The plate is insulated at the top side. The bottom surface is at 100°C and the air is at 40°C. Determine the value of convective heat transfer coefficient over the surface.
- 10.14** A large tank of oil is kept warm by a circular heater of 0.3 m dia placed horizontally inside. The heater surfaces on both sides is at 120°C. The oil is at 20°C. Determine the heat input required to maintain this surface temperature both at the top and bottom faces.
- 10.15** A horizontal electrical cable 5 cm dia generates 2.5 W of heat/m length. The surrounding air is at 20°C. Estimate the surface temperature of the cable.
- 10.16** Estimate the average surface temperature of a 2.5 kW heating element 2.5 cm dia and 0.5 m length used in a water heater, with the water temperature set at a maximum of 50°C.
- 10.17** Determine the number of plate type of steam heaters of 0.25 × 0.6 m size placed vertically with the 0.6 m side to provide 20 kW of heating to a class room at 10°C. The plate temperature is 110°C.
- 10.18** If hot water at 60°C is used instead of steam in the problem 10.17, determine the number of plates required.
- 10.19** Determine the length of steam pipe of 7.5 cm OD at 80°C is required to provide 20 kW of heat to a space at 20°C.
- 10.20** A block of ice at 0°C 40 × 40 cm × 40 cm is exposed to air at 20°C. Determine the rate of heat loss from the block by free convection. Assume that there is no heat transfer from the bottom.

- 10.21** A 2 cm dia 60 cm long heater is placed horizontally in a glycerine tank. The surface of the heater is at 60°C and glycerine is at 20°C. Estimate the heat transfer rate.
- 10.22** A cylindrical heater 3.0 cm dia and 0.8 m length with a constant heat flux of 1500 W/m² is inclined at 35° to the horizontal in room air at 20°C. Estimate the average surface temperature.
- 10.23** A sphere of 30 cm dia with its surface maintained at 90°C is exposed to still air at 30°C. Calculate the heat loss.
- 10.24** A circular heater of 0.2 m dia is used to heat oil at 20°C in a large tank. The heater has a uniform heat generation rate of 10 kW/m². Determine the average surface temperature if (i) hot surface is facing up and (ii) hot surface facing down.
- 10.25** Two square plates 30 cm side enclose water layer 1 cm thick. The plates are at 40°C and 60°C. Estimate the heat transfer rate. All edges are closed.
- 10.26** An electrical bulb is of spherical shape of 5 cm dia. The surface is at 120°C and is exposed to air at 40°C. Determine the heat loss by natural convection from the surface.
- 10.27** A hot metal casting 40 cm × 40 cm × 20 cm at 600°C is exposed to air at 20°C on all the surfaces as it is carried in a conveyor. Determine the rate of cooling.
- 10.28** A solar water heater plate is at 160°C and the cover plate is at 4 cm with the space evacuated to 0.1 atm. The cover plate is at 40°C. The assembly is inclined at 25° to the horizontal. Determine the rate of heat loss from the plate.
- 10.29** A spherical vessel of 1 m dia containing liquid refrigerant is at -40°C. An evacuated spherical cover of 1.08 m dia is provided outside with the pressure inside being 0.05 atm. The outside surface is at 20°C. Determine the heat loss. Also determine the heat loss if only pure conduction prevailed.
- 10.30** If a cylindrical vessel of 1 m dia is used instead of spherical vessel in problem 10.29 estimate the heat loss and the compare the same with pure conduction loss.
- 10.31** A vertical plate is kept at 40°C in still air at 30°C. The plate is 1 m high. Determine the velocity that may produce the same heat loss by forced convection over the plate as that occurring by free convection.

11

PHASE CHANGE PROCESSES

Boiling, Condensation Freezing and Melting

11.0 INTRODUCTION

Condensers and evaporators (Boilers) are important equipments in steam plants and refrigerators. In the field of chemical engineering chemicals have to be often evaporated and condensed. Freezing and melting is also encountered in various industries like ice plants and foundries. The study of heat transfer under these conditions thus becomes important for the design of these vital equipments.

11.1 BOILING OR EVAPORATION

When a liquid is heated under constant pressure, the temperature of the liquid first will increase to a value known as the saturation temperature of the liquid at that pressure. The value of saturation temperature for a liquid depends on the pressure and increases with pressure. These values are obtained from tabulations of experimental results. Such a table of values for water is known as **steam tables**. Further heat addition causes change of phase from liquid to vapour. The optimum rate at which heat may be added for producing vapour has to be determined for designing evaporating equipments. As the rate of heat abstraction by evaporation for unit mass of liquid is high, the value of convective heat transfer coefficient is very high for the evaporation process.

As the rate of heat addition is increased the metal surface temperature also increases, but not linearly. A large change in the rate of heat addition causes a fairly small change in the surface temperature. As convection coefficient is determined based on the temperature difference between the surface and the fluid, the surface temperature becomes an important parameter.

$$Q/A = q = h(T_{\text{surface}} - T_{\text{fluid}}) \quad \dots(11.1)$$

T_{fluid} is the fluid temperature and for any fluid at a given pressure this value at boiling is the saturation temperature. The surface temperature has to be higher than the saturation temperature for boiling to take place.

The difference between the surface and liquid temperatures is called the excess temperature. The term $\Delta T = T_w - T_{\text{sat}}$ = excess temperature is used in the study of boiling heat transfer as a primary variable. (where T_w is the surface temperature and T_{sat} is the saturation temperature).

11.1.1. Nature of boiling process: When the temperature of the liquid is lower than the saturation temperature, the liquid is called undercooled. If the temperature is above saturation level it is called superheated liquid. Vapour can form only from superheated or saturated liquid.

Boiling can be classified as pool boiling and flow boiling. Boiling of nonflowing or stationary fluid is known as pool boiling. Boiling in the case of a fire tube of shell boiler will come under this category. Boiling as during the flow of water and steam (two phase fluid) through a tube with wall heat flux is called flow boiling. Pool boiling is easier to observe by studying what happens when water is heated in a vessel. Compared to free and forced convections some more basic parameters like surface tension, enthalpy of evaporation are involved in the study of boiling process. Because of the large number of variables influencing the process it becomes difficult to arrive at direct correlations for this process, using momentum and energy equations etc. The correlations arrived at from experimental results are based on groups like Reynolds number, Nusselt number etc. except that the length parameters and velocity parameters are carefully worked out in terms of the physical property values encountered during the basic boiling process.

11.1.2. Regimes of boiling: The physical phenomenon of pool boiling can be divided basically into four different regimes based on the excess temperature. Some authors subdivide these regimes into more finer ones also. The regimes are:

(values are for water boiling at 100°C)

- | | |
|---|---|
| 1. Purely convective region | $\Delta T < 5^\circ\text{C}$ |
| 2. Nucleate Boiling | $5 < \Delta T < 50^\circ\text{C}$ |
| 3. Unstable (nucleate \leftrightarrow film) boiling | $50^\circ\text{C} < \Delta T < 200^\circ\text{C}$ |
| 4. Stable film boiling | $\Delta T > 200^\circ\text{C}$. |

Note that the temperature values are indicative only.

Nucleate Boiling is the process that is useful in equipment design. Unstable and film boiling regions are avoided except possibly for special applications. Convective boiling is too slow to be useful.

Purely convective Boiling: Boiling of water at low pressures is considered for the study. The excess temperature is less than 5°C. The liquid in contact with the hot surface gets superheated and slowly rises to the surface and vapour formation generally occurs at the surface. This can be observed by allowing water to be heated to near saturation temperature and then heating it further using a slow flame. Vapour will be observed over the water surface. No bubbles will be observed. The heat flux will be of the order of 0.15 MW/m².

Nucleate Boiling: As the heating rate is increased bubbles of vapour will be seen to form at favourable locations called nucleation sites on the surface. A favourable location provides a larger surface area by some roughness, notch etc. The bubbles will grow and will detach themselves from the surface and will begin to rise to the surface. For lower range of values of excess temperature, these bubbles will slowly condense again and will get reduced in size as they rise. This will be the case when the excess temperature is of the order of 10°C.

The heat rate would increase to about three times the pure convection level. Further increase in heat rate and consequently the surface temperature (also the excess temperature) will cause vapour bubbles to rise as a stream to the surface. Bubbles will also form at more number of locations. There will be a steady stream of vapour bubbles rising from a large number of locations. The excess temperature will be about 20°C and the heat rate will be about 0.5 MW/m².

Further increase in the heat addition rate increases the surface temperature and individual bubbles combine to form a column of vapour also called slugs of vapour rise directly out of the surface. The columns will be also very close to each other and the liquid movement to fill up the locations where evaporation is taking place is very brisk. The excess temperature will be around 50°C and the heat flux will reach values of 1 MW/m^2 and convection coefficient will be around $20,000\text{ W/m}^2\text{K}$. Note that the heat rate is the more important quantity from the design point of view. This governs the excess temperature and thus the value of convection coefficient. The heat rate reaches a maximum value beyond which it is found that any further increase quickly increases the excess temperature very rapidly and the process becomes unstable. It may also cause damage to the surface. Hence design is generally limited below this condition.

Film Boiling: A further increase in the heat flux causes a film of vapour to cover the surface. This is due to the merging of favourable locations into an area. This reduces the convection coefficient and excess temperature shoots up to a very high value. In this situation the heat transfer is both by radiation and by conduction to the vapour. If the material is not strong enough for withstanding this temperature, the equipment will fail by damage to the material. This is known as burn out.

Experiment in this regime are conducted by maintaining the surface temperature rather than the heat flux. Experiments are conducted by immersing electrical resistance wire in the fluid and varying the heat flux by varying the current. A copper rod immersed in water and heated at the end (like a fin) can show the various regimes of boiling at the same time.

A typical boiling curve for water boiling at atmospheric pressure is shown in Fig. 11.1. The values indicated are approximate.

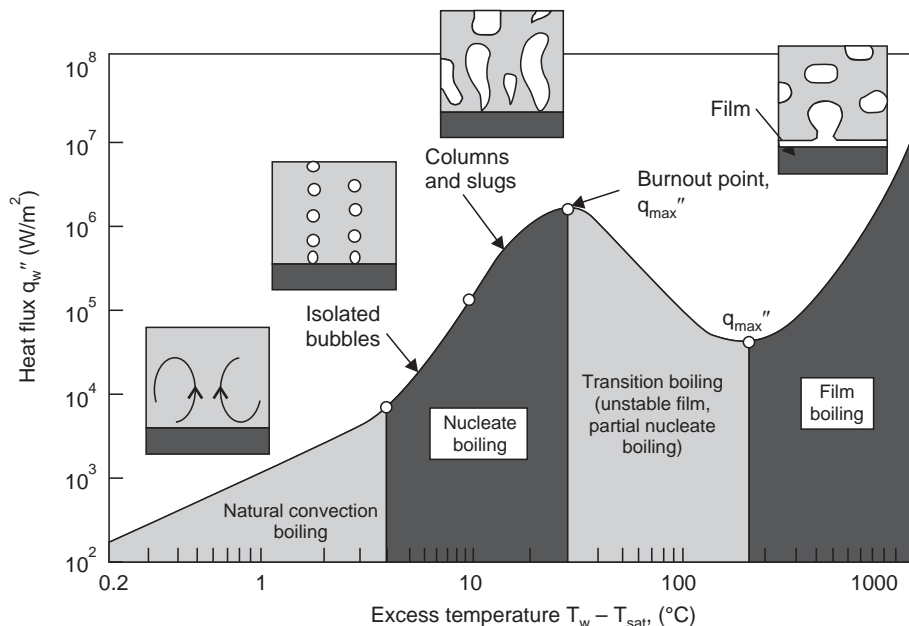


Fig. 11.1. The four regimes of pool boiling in water at atmospheric pressure.

11.2

The correlations obtained for nucleate pool boiling is given by Rohsenow (1952).

$$\frac{Q}{A} = q = \left[\frac{c_1 \Delta T}{h_{fg} Pr^n C_{sf}} \right]^3 \mu_1 h_{fg} \left[\frac{g(\rho_1 - \rho_v)}{g_0 \sigma} \right]^{0.5} \quad \dots(11.2)$$

suffix l denotes liquid properties and v denotes vapour properties.

Where c_1 — Specific heat of liquid J/kgK

ΔT — excess temperature °C or K, (difference)

h_{fg} — specific enthalpy of evaporation J/kg

Pr — Prandtl number of liquid

n — constant equal to 1 for water and 1.7 for other fluids

C_{sf} — surface factor shown in tabulation 11.1 and taken as 0.013 for other cases

μ_1 — dynamic viscosity of the liquid kg/ms or $\frac{Ns}{m^2}$

ρ_1 — density of the liquid kg/m³

ρ_v — density of vapour kg/m³

σ — surface tension-liquid-vapour interface N/m

g — gravitational acceleration m/s²

g_0 — force conversion factor kgm/Ns² = 1 in SI units.

This correlation is the result of a log log plot of experimental results with parameters.

$$\frac{q}{\mu_1 h_{fg}} \left[\frac{g_0}{g(\rho_1 - \rho_v)} \right]^{0.5} \quad \text{and} \quad \frac{C_1}{h_{fg}} \Delta T \frac{1}{Pr^{1.7}}$$

This resulted in a straight line with value of $C_{sf} = 0.013$ generally leading to the correlation 11.2.

Example 11.1: Show the equation (11.2) is dimensionally consistent.

$$\text{RHS} \rightarrow q \rightarrow \frac{W}{m^2}$$

Solution: The LHS is taken as three parts:

$$(i) \frac{c_1 \Delta T}{C_{sf} Pr^n h_{fg}} \rightarrow \frac{J}{kg K} \cdot K \frac{kg}{J} \text{ nondimensional}$$

$$(ii) \mu_1 h_{fg} = \frac{kg}{ms} \cdot \frac{J}{kg} = \frac{J}{ms} = \frac{W}{m}$$

$$(iii) \left[\frac{g}{g_0} \left(\frac{\rho_1 - \rho_v}{\sigma} \right) \right]^{0.5} \rightarrow \left[\frac{m}{s^2} \frac{Ns^2}{kgm} \cdot \frac{kg}{m^3} \cdot \frac{m}{N} \right]^{0.5} = \frac{1}{m}$$

$$\therefore i \times ii \times iii \frac{J}{ms} \cdot \frac{1}{m} \rightarrow \frac{J}{s} \cdot \frac{1}{m^2} \rightarrow W/m^2$$

So dimensionally consistent

Such equations can be used with any system of units.

Table 11.1. Values of C_{sf} for various surface fluid combinations

<i>Fluid</i>	<i>Surface combination</i>	C_{sf}
Water	copper	0.0130
Water	brass	0.0060
Water	emery polished copper	0.0128
Water	scored copper	0.0068
Water	ground polished stainless steel	0.0080
Water	mechanically polished stainless steel	0.0132
Water	chemically etched stainless steel	0.0133
Water	platinum	0.0130
CC14	copper	0.0130
CC14	emery polished copper	0.0070
Ethyl alcohol	chromium	0.0027

Values for more combinations are available in hand books. For estimates use 0.013 for other combinations. This results in $\pm 20\%$ accuracy.

The maximum value of heat flux after which boiling becomes unstable is called critical heat flux. The correlation for the same is obtained as

$$q_{cr} = 0.149 h_{fg} \left[\sigma g g_0 (\rho_1 - \rho_v) \rho_v^2 \right]^{1/4} \quad \dots(11.3)$$

The theoretical value of the constant is 0.131 and it is replaced by 0.149 for better agreement with experimental results. As h_{fg} , ρ_1 , ρ_v and σ are dependent also on pressure, the critical heat flux is found to be influenced by the evaporating pressure and is found to occur at about $P/P_{cr} = 0.33$ where P_{cr} is the critical pressure. For water, the flux is about 3.8 MW/m² at atmospheric pressure. The maximum heat flux dictates the size and the surface temperature of the equipment and hence its importance in the design of evaporating equipments.

Simplified expression for boiling water (as in the case of air in free convection) is given by

$$h = C(\Delta T)^n (P/P_a)^{0.4} \quad \dots(11.4)$$

Where P is the system pressure and P_a is the standard atmospheric pressure.

The values of C and n are tabulated below:

<i>Surface</i>	<i>Applicable value of q, kW/m²</i>	C	n
Horizontal	$q < 15.8$	1040	1/3
	$15.8 < q < 236$	5.56	3
Vertical	$q < 3.15$	539	1/7
	$3.15 < q < 63.1$	7.95	3

1.2.1. In stable film boiling heat transfer occurs both by convection and radiation. The convection component for boiling on horizontal tube of diameter D is given by (with vapour properties at film temperature)

$$h_c = 0.62 \left[\frac{k_v^3 \rho_v (\rho_1 - \rho_v) g (h_{fg} + 0.68 c_{pv} \Delta T)}{\mu_v D \Delta T} \right]^{0.25} \quad \dots(11.5)$$

For flat surfaces the correlation is

$$h_c = 0.425 \left[\frac{g(\rho_1 - \rho_v)^{1.5} \rho_v k_v^3 (h_{fg} + 0.68 c_{pv} \Delta T)}{(g_0 \sigma)^{0.5} \cdot \mu_v \cdot \Delta T} \right]^{0.25} \quad \dots(11.6)$$

Where suffix v refers to vapour at film temperature $(T_w + T_s)/2$.

The radiation component is given by

$$h_r = \sigma_r \varepsilon \left[\frac{T_w^4 - T_{sat}^4}{T_w - T_{sat}} \right] \quad \dots(11.7)$$

Where σ_r is Stefan Boltzmann constant and ε is the emissivity of the surface.

The combined convection coefficient is given by

$$h = h_r + h_c (h_c/h)^{1/3} \quad \dots(11.8)$$

This equation has to be solved by trial.

Another suggestion is $h = h_c + 0.75 h_r$... (11.9 (a))

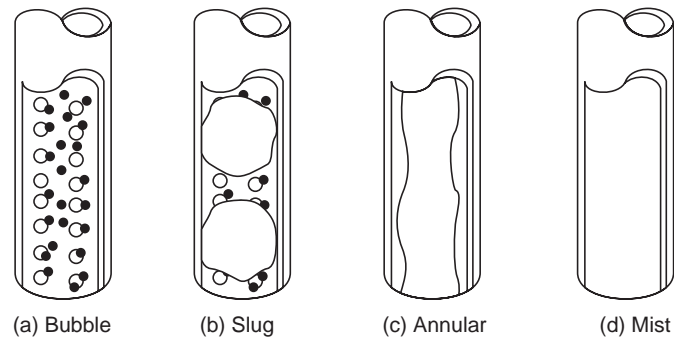
A correlation is available for the minimum heat flux in film boiling (1958).

$$\left(\frac{q}{A} \right)_{\min} = 0.09 h_{fg} \rho_{vf} \left[\frac{g g_0 \sigma (\rho_1 - \rho_v)}{(\rho_1 + \rho_v)^2} \right]^{1/4} \quad \dots(11.9 (b))$$

and ρ_{vf} is to be obtained at film temperature.

11.3 FLOW BOILING

This is nothing but forced convection boiling where the fluid is moved by an external device. The regimes of boiling and the heat flux curve are similar to the ones in pool boiling. The process occurs in modern high pressure forced circulation boilers. As subcooled liquid enters a heated tube with wall heat-flux, initially heat transfer occurs by forced convection and the liquid is heated to saturation condition. The next regime is where bubbles form at the surface and then flow into the core where these may condense. At a later section the flow becomes slug type of flow with alternately liquid and vapour filling the tube. This is followed by what is termed as annular flow with liquid flowing near the surface and vapour forming the core. The heat flux reaches the maximum or critical value in this regime. The flow then becomes unstable with the liquid film breaking out. The heat flux cannot be sustained without the material becoming overheated. Then the flow becomes what is called mist flow with small droplets of liquid floating in the vapour. The heat flux at this regime may be even lower than that in the forced convection regime. In steam generators operation is limited to the annular flow regime as otherwise damage to steam pipe may occur. The phenomenon is shown in Fig. 11.2. The heat flux in forced convection boiling is calculated using.



Flow regimes

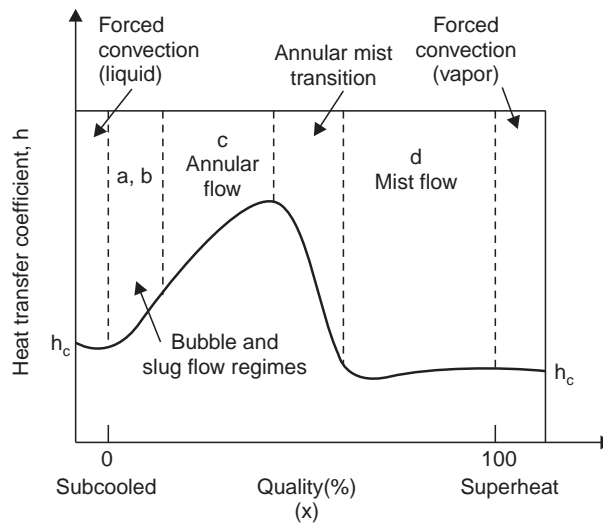


Fig. 11.2. Characteristics of forced-convection vaporization in a vertical tube: Heat transfer coefficient versus quality and type of flow regime.

$$q_{\text{Total}} = q_{\text{con}} + q_{\text{boiling}} \quad \dots(11.10)$$

q_{con} is calculated using

$$Nu = 0.019 Re^{0.8} Pr^{0.4} \quad \dots(11.11)$$

where

$$Re = \frac{G(1-x)D}{\mu_1}$$

where x is dryness G is mass flow rate and

$$q_{\text{boiling}} = 2.253 (\Delta T)^{3.96} \text{ W/m}^2 \quad \dots(11.12)$$

for pressures

$$0.2 < P < 0.7 \text{ MPa}$$

$$q_{\text{boiling}} = 283.2 P^{4/3} (\Delta T)^3 \text{ W/m}^2 \quad \dots(11.13)$$

for

$$0.7 < P < 4 \text{ MPa.}$$

Example 11.2: *Water at atmospheric pressure (saturation temperature = 100°C) is boiling on a brass surface heated from below. If the surface is at 108°C, determine the heat flux and compare the same with critical heat flux.*

Solution: The property values are taken at the liquid temperature

$$\rho_c = 961 \text{ kg/m}^3, h_{fg} = 2257 \text{ kJ/kg}, \rho_v = 0.598 \text{ kg/m}^3, c = 4216 \text{ J/kg K}$$

$$\mu_1 = 2.816 \times 10^{-4} \text{ kg/ms}, \sigma = 58.8 \times 10^{-3} \text{ N/m}, Pr = 1.74$$

From table 11.1 $C_{sf} = 0.0060$, For water $n = 1$

using equation (11.2), (h_{fg} in J/kg)

$$\mathbf{q} = \left[\frac{c_1 \Delta T}{c_{sf} h_{fg} Pr_1^n} \right]^3 \mu_1 h_{fg} \left[\frac{g(\rho_1 - \rho_v)}{g_0 \sigma} \right]^{0.5}$$

$$= \left[\frac{4216 \times 8}{0.0060 \times 2257 \times 10^3 \times 1.74} \right]^3 \cdot 2.816 \times 10^{-4} \times 2257 \times 10^3 \left[\frac{9.81(961 - 0.598)}{1 \times 58.8 \times 10^{-3}} \right]^{0.5}$$

$$= \mathbf{0.746 \times 10^6 \text{ W/m}^2}$$

Critical heat flux is given by equation (11.3)

$$\mathbf{q}_{cr} = 0.149 h_{fg} [\sigma g g_0 (\rho_1 - \rho_v) \rho_v^2]^{1/4}$$

$$= 0.149 \times 2257 \times 10^3 [58.8 \times 10^{-3} \times 9.81 \times 1 (961 - 0.598) \times 0.598^2]^{0.25}$$

$$= \mathbf{1.262 \times 10^6 \text{ W/m}^2}$$

The actual flux is less than the critical flux at $\Delta T = 8^\circ\text{C}$ and hence pool boiling exists. The critical flux is found to occur at $\Delta T = 10.5^\circ\text{C}$ when substituted in equation (11.2). **Using simplified expression**, equation (11.4)

$$\mathbf{h} = 5.56 (8)^3 (1)^{0.4} = \mathbf{2846.72 \text{ W/m}^2 \text{ K}}$$

$$\mathbf{q} = h \Delta T = 0.0228 \times 10^6 \text{ W/m}^2, \text{ A lower prediction.}$$

Example 11.3: *For example 11.2 calculate the flux if the surface was stainless steel mechanically polished.*

Solution: The value of $C_{st} = 0.0132$

It is noted from equation (11.2), that the **heat flux is inversely proportional to the cubic power of C_{sf}**

$$\therefore \mathbf{q} = 0.746 \times 10^6 \times \left(\frac{0.0060}{0.0132} \right)^3 = \mathbf{70060 \text{ or } 0.07 \times 10^6}$$

The heat flux is reduced to about 1/10th value determine with brass.

Example 11.4: *In example 11.2, if the excess temperature is increased to 12°C determine the heat flux and compare with the critical value.*

Solution: It is seen from equation (11.2) that **the heat flux is proportional to $(\Delta T)^3$**

$$\therefore \mathbf{q} = 0.746 \times 10^6 \left(\frac{12}{8} \right)^3 = \mathbf{2.52 \times 10^6 \text{ W/m}^2}$$

This is higher than the critical heat flux and this is not possible. So unstable film boiling may start at this condition.

Hence, it is desirable to calculate the value of q using equation (11.6)

$$h_c = 0.425 \left[\frac{g(\rho_1 - \rho_v)^{1.5} \rho_v k_v^3 [h_{fg} + 0.68 c_{pv} \Delta T]}{(g_0 \sigma)^{0.5} \mu_v \cdot \Delta T} \right]^{0.25}$$

From tables,

$$k_v = 0.02373 \text{ W/mK}, \mu_v = 11.96 \times 10^{-6} \text{ kg/ms}, c_{pv} = 2135 \text{ J/kgK}$$

$$h_c = 0.425 \left[\frac{9.81 (961 - 0.598)^{1.5} \times 0.02373^3 \times [2257 \times 10^3 + 0.68 \times 2135 \times 12]}{(1 \times 58.8 \times 10^{-3})^{0.5} \times 11.96 \times 10^{-6} \times 12/0.598} \right]^{0.25}$$

$$h = 266 \text{ W/m}^2 \text{ K}$$

$$\mathbf{q = h \Delta T = 3186 \text{ W/m}^2}$$

Heat flux is considerably reduced.

$$\text{Note: } \mathbf{h_r = \sigma \epsilon_s \left[\frac{T_s^4 - T_{\text{sat}}^4}{T_s - T_{\text{sat}}} \right]} \text{ assuming } \epsilon_s = 0.6 = 5.67 \times 0.6 \frac{(3.85)^4 - (3.73)^4}{12} = 7.41 \text{ W/m}^2 \text{ K.}$$

The contribution due to radiation is negligible at this level.

11.4 CONDENSATION

When saturated vapour comes in contact with a cooler surface, the vapour condenses into liquid. The surface temperature should be lower in this case as compared to the temperature of the vapour. The condensate generally moves down by gravity. **If the liquid wets the surface a thin layer of liquids forms over the surface and the film thickness increases along the downward direction. This type of condensation is known as filmwise condensation and this is the type encountered in most practical situations.** The film introduces a resistance to heat flow between the surface and the vapour. The heat transfer rate is reduced because of this resistance. **If the surface is nonwetting, then droplets form on the surface and these roll down individually.** The vapour is in direct contact with the surface over most of the area and heat transfer rates are much higher as there is very little resistance for heat flow between the vapour and the surface. **This type is known as dropwise condensation.** In practice no surface is found to continue as nonwetting over any length of time. So using the value of heat transfer coefficients assuming dropwise condensation for design purposes is not advisable.

11.4.1. Formation of condensate film: As condensate forms on the surface, the surface is fully wetted and the liquid begins to flow down. Under steady conditions additional condensate is added along the length and the film thickness increases in the direction of flow. The velocity and temperature distribution in the film are shown in Fig. 11.3.

An element considered for force analysis is shown in Fig. 11.4. The forces encountered are the viscous shear, gravity force and the buoyant force. The force balance gives.

$$\rho_1 g(\delta - y) dx = \mu_1 \frac{du}{dy} dx + \rho_v g(\delta - y) dx \quad \dots(11.14)$$

Integrating and using the boundary that $u = 0$ at $y = 0$

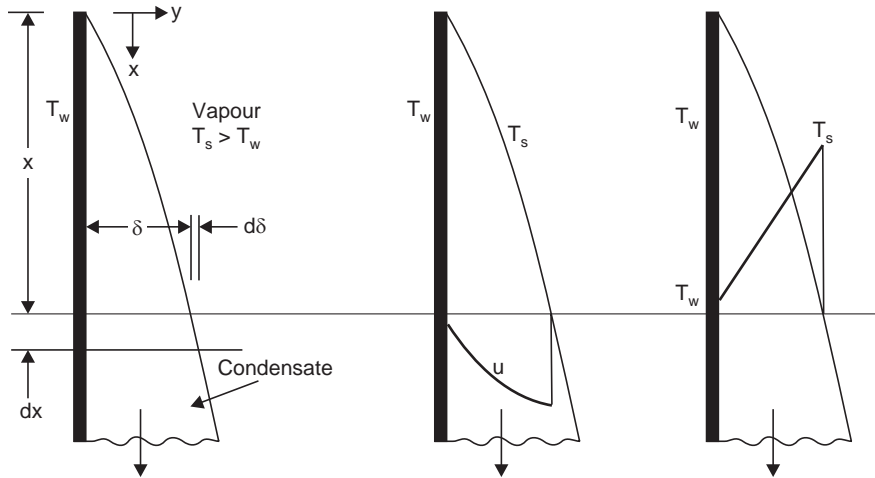


Fig. 11.3. Formation of condensate film.

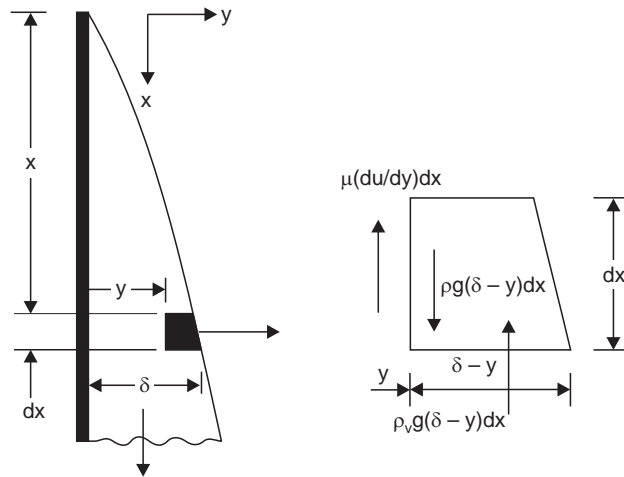


Fig. 11.4. Element considered for force analysis and the forces on the element.

$$u = \frac{(\rho_1 - \rho_v)g}{\mu_1} \left(\delta y - \frac{1}{2} y^2 \right) \quad \dots(11.15)$$

The total mass flow at any section can be determined by integrating the flow using the velocity distribution.

$$\begin{aligned} m &= \int_0^\delta \rho_1 u \, dy = \int_0^\delta \rho_1 \left[\frac{(\rho_1 - \rho_v)}{\mu_1} \cdot g \left(\delta y - \frac{1}{2} y^2 \right) \right] dy \\ &= \frac{\rho_1 (\rho_1 - \rho_v) g \delta^3}{3\mu_1} \quad \dots(11.16) \end{aligned}$$

Assuming a linear variation of temperature in the film,

$$q = -k_1 dx \left. \frac{dT}{dy} \right|_{y=0} = k_1 dx \frac{T_g - T_w}{\delta} \quad \dots(11.17)$$

The condensation occurring between sections x and $x + dx$ can be obtained using Δm . The heat flow in this section will be the product mass and latent heat.

$$\Delta m = \frac{dm}{dx} \cdot dx = \frac{d}{dx} \left[\frac{\rho_1 (\rho_1 - \rho_v) g \delta^3}{3\mu_1} \right] dx \quad \dots(11.18)$$

By multiplying and dividing by $d\delta$

$$\Delta m = \frac{d}{d\delta} \left[\frac{\rho_1 (\rho_1 - \rho_v) g \delta^3}{3\mu_1} \right] \frac{d\delta}{dx} \cdot dx = \frac{\rho_1 (\rho_1 - \rho_v) g \delta^2 d\delta}{\mu_1} \quad \dots(11.19)$$

As heat conducted = heat removed from condensate, for the distance dx along the flow,

$$\frac{\rho_1 (\rho_1 - \rho_v) g \delta^2 d\delta}{\mu_1} h_{fg} = k_1 dx \frac{T_g - T_w}{\delta} \quad \dots(11.20)$$

Integrating and using $\delta = 0$ at $x = 0$, yields,

$$\delta_x = \left[\frac{4\mu_1 k_1 x (T_g - T_w)}{g h_{fg} \rho_1 (\rho_1 - \rho_v)} \right]^{0.25} \quad \dots(11.21)$$

From basics, heat transfer at the surface by conduction is equal to the heat convected. Assuming linear temperature variation,

$$h dx (T_w - T_g) = -k_1 dx \frac{(T_g - T_w)}{\delta} \quad \dots(11.22)$$

$$\therefore h = \frac{k_1}{\delta} \quad \dots(11.23)$$

$$\therefore h_x = \left[\frac{\rho_1 (\rho_1 - \rho_v) g h_{fg} k_1^3}{4\mu_1 x (T_g - T_w)} \right]^{1/4} \quad \dots(11.24)$$

$$Nu_x = \frac{hx}{k_1} = \left[\frac{\rho_1 (\rho_1 - \rho_v) g h_{fg} x^3}{4\mu_1 k_1 (T_g - T_w)} \right]^{1/4} \quad \dots(11.25(a))$$

The average value of convection coefficient upto lengths L is obtained by

$$\bar{h} = \frac{1}{L} \int h_x dx = \frac{4}{3} h \Big|_{x=L} \quad \dots(11.25 (b))$$

or

$$\bar{h} = 0.943 \left[\frac{\rho_1 (\rho_1 - \rho_v) g h_{fg} k_1^3}{L\mu_1 (T_g - T_w)} \right]^{1/4} \quad \dots(11.26)$$

For higher values of lengths, 0.943 is replaced by 1.13.

This expression is obtained by direct analysis with the assumption of linear temperature profile. The property values are at film temperature. In order to take care of the actual nonlinear temperature variation and also undercooling the **enthalpy of evaporation is corrected by**

$$h_{fg} = h_{fg} + 0.68 c_1 (T_g - T_w)$$

where c_1 is the specific heat of liquid.

It is found that experimental measurements correlate better when properties are evaluated at film temperature. For condensation on horizontal tubes of diameter d the correlation is

$$h = 0.725 \left[\frac{\rho_1 (\rho_1 - \rho_v) g h_{fg} k_f^3}{\mu_1 d (T_g - T_w)} \right]^{1/4} \quad \dots(11.27)$$

and for n tube rows in vertical direction, nd replaces d .

11.4.2. Turbulent film: As the condensate film thickness increases, the flow becomes turbulent. In order to define this condition a **film Reynolds number Re_δ** concept is used.

$$Re_\delta = \frac{r_1 u_m D_h}{\mu_1} \quad \text{and} \quad D_h = 4A_c/P$$

Where A_c is the flow area $1 \times \delta$ and P is the wetted perimeter ($1m$). This can be simplified to

$$Re_\delta = \frac{4G}{\mu_1} \quad \dots(11.28)$$

Where G is the mass flow per unit depth of plate given by

$$G = \rho_1 u_m \delta$$

G can be determined using equation 11.16 and 11.21

For $Re_\delta > 1800$ the flow is turbulent. The correlation for convection coefficient is

$$\bar{h}_c = 0.0077 \left[\frac{g \rho_1 (\rho_1 - \rho_v) k_1^3}{\mu_1^2} \right]^{1/3} Re_\delta^{0.4} \quad \dots(11.29)$$

A concept called **condensation number** is also used in the above equation. The condensation number is defined as

$$CO = \bar{h} \left[\frac{\mu_1^2}{k_1^3 \rho_1 (\rho_1 - \rho_v) g} \right]^{1/3} \quad \dots(11.30)$$

This leads to the rewriting of equation (11.29) as

$$CO = 0.0077 Re_\delta^{0.4} \quad \dots(11.31)$$

After the determination of CO from (11.31), h is calculated using (11.30)

For lower film Reynolds numbers **for vertical plate** ($Re_\delta < 1800$)

$$CO = 1.47 Re_\delta^{-1/3} \quad \dots(11.32)$$

For horizontal cylinders for ($Re_\delta < 1800$)

$$CO = 1.514 Re_\delta^{-1/3} \quad \dots(11.33)$$

11.4.3. Condensation inside tubes: In refrigeration where the condensed refrigerant has to be carefully collected condensation occurs inside horizontal tubes. The correlation for such cases is

$$\bar{h} = 0.555 \left[\frac{\rho_l (\rho_l - \rho_v) g k_1^3 h'_{fg}}{\mu_l d (T_g - T_w)} \right]^{1/4} \quad \dots(11.34)$$

Where $h'_{fg} = h_{fg} + 0.68 c_1 (T_g - T_w)$.

Example 11.5: Check the dimensional consistency of equation (11.24)

$$h_x = \left[\frac{\rho_l (\rho_l - \rho_v) g \cdot h_{fg} k_1^3}{4\mu x (T_g - T_w)} \right]^{1/4}$$

Solution: LHS W/m² K

$$\text{RHS} \left[\frac{\text{kg}}{\text{m}^3} \cdot \frac{\text{kg}}{\text{m}^3} \cdot \frac{\text{m}}{\text{s}^2} \cdot \frac{\text{J}}{\text{kg m}^3 \text{K}^3} \cdot \frac{\text{W}^3}{\text{kg}} \cdot \frac{\text{ms}}{\text{kg}} \cdot \frac{1}{\text{m}} \cdot \frac{1}{\text{K}} \right]^{1/4}$$

Cancelling kg, and using $\frac{\text{J}}{\text{s}}$ as W, $= \left[\frac{\text{W}^4}{\text{m}^8 \text{K}^4} \right]^{1/4} = \text{W/m}^2 \text{K}$.

The equation is dimensionally consistent. Such equations are independent of the system of units used.

Example 11.6: Saturated steam at a temperature of 65°C condenses on a vertical surface at 55°C. Determine the thickness of the condensate film at locations 0.2, 0.4, 0.6, 0.8, 1 m from the top. Also determine the condensate flow, the film Reynolds number, the local and average values of convective heat transfer coefficients at these locations. Also calculate the condensation numbers.

Solution: The property values for liquid should be taken at the film temperature = (55 + 65)/2 = 60°C. The liquid property values at 60°C are

$$\rho_l = 985 \text{ kg/m}^3, \quad k_1 = 0.6513 \text{ W/mK}, \quad c = 4183 \text{ J/kgK}$$

$$\mu_l = 4.7083 \times 10^{-4} \text{ kg/ms},$$

$$h_{fg} \text{ at } 65^\circ\text{C} = 2346.2 \text{ kJ/kg}, \quad \rho_v = 1/6.197 \text{ kg/m}^3$$

Considering unit width: using eqn. (11.21).

$$\delta = \left[\frac{4\mu k x (T_g - T_w)}{g h_{fg} \rho_l (\rho_l - \rho_v)} \right]^{0.25} = \left[\frac{4 \times 4.7083 \times 10^{-4} \times 0.6513 \times 10 x}{9.81 \times 2346.2 \times 10^3 \times 985(985 - 1/6.197)} \right]^{0.25}$$

$$= 1.53 \times 10^{-4} \cdot x^{0.25}$$

$$G = m = \frac{\rho_l (\rho_l - \rho_v) g \cdot \delta^3}{3\mu} = \left[\frac{985 (985 - 1/6.197) 9.81}{3 \times 4.7083 \times 10^{-4}} \right] \delta^3$$

$$= 6.73 \times 10^9 \delta^3 \text{ kg/m width} = 0.024176 \times x^{0.75}$$

Using eqn. (11.28)

$$\text{Re}_\delta = \frac{4G}{\mu_l} = \frac{4}{4.7083 \times 10^{-4}} G = 5.718 \times 10^{13} \cdot \delta^3 = 205.39 \times x^{0.75}$$

All through the flow is laminar. Using eqn. (11.25)

$$h_x = \left[\frac{\rho_1 (\rho_1 - \rho_v) g h_{fg} k^3}{4\mu_1 x (T_g - T_w)} \right]^{1/4} = 4254.33 \times \left(\frac{1}{x} \right)^{0.25}, \quad \bar{h} = \frac{4}{3} h_L$$

Using 000(11.32) $CO = 1.47 Re_\delta^{-1/3} = 3.816 \times 10^{-5}/\delta$

These values at various locations are tabulated below:

for flow rate m , use eqn. (11.16).

Distance m	0.2	0.4	0.6	0.8	1.0
δ , mm	0.10238	0.12175	0.13474	0.14479	0.1531
m , kg/s/m	0.00723	0.01216	0.0165	0.02045	0.02418
Re_δ	61.42	103.31	140.18	173.74	205.4
h_x	6361.7	5349.5	4833.9	4498.4	4254.3
\bar{h}	8482.3	7132.7	6445.2	5997.9	5672.4
CO	0.3730	0.3133	0.2830	0.2634	0.2491

The value of h_{fg} can be corrected to take care of under cooling.

11.4.4. Inclined surfaces: For inclined surfaces, g is replaced by $g \cos \theta$ where θ is the angle with the vertical.

In refrigeration, plate type of condensers are used with horizontal tubes brazed on them. The correlation for the same in terms of condensation number is

$$CO = 1.51 Re_\delta^{-1/3} \quad \dots(11.35)$$

Some simplified expressions are available using condensation coefficient which depends on the fluid and the temperature. These are applicable for vertical and horizontal tubes. These expressions are to be used with a table of values of condensation coefficients. Some examples are given under solved problems.

Example 11.7: Saturated steam at 65°C condenses on horizontal cylinder of 0.2 m dia at 55°C . Determine the value of convection coefficient for (i) single tube and (ii) for a bank of tubes of 10 rows arranged vertically one below the other.

Solution: The property values are as in example 11.6 as the film temperature is 60°C and the fluid is steam.

Using equation (11.27)

(i) For single tube:

$$\begin{aligned} h &= 0.725 \left[\frac{\rho_1 (\rho_1 - \rho_v) g h_{fg} k_f^3}{\mu_f d (T_g - T_w)} \right]^{1/4} \\ &= 0.725 \left[\frac{985 (985 - 1/6.197) 9.81 \times 2346.2 \times 10^3 \times 0.6513^3}{985 \times 0.478 \times 10^{-6} \times 0.2 \times 10} \right]^{1/4} \\ &= \mathbf{6522.4 \text{ W/m}^2 \text{ K}}. \end{aligned}$$

(ii) For a bank of tubes nd is to be used in place of d in the above expression

$$\therefore \quad \mathbf{h = 3667.8 \text{ W/m}^2 \text{ K}} \quad \left(\text{Check } 6522.4 \times \frac{1}{10^{0.25}} \right)$$

This reduction is because of the thicker film caused by the condensate from one tube falling and covering the lower tube.

Example 11.8: Steam at 65°C condenses on vertical tubes of diameter of 0.3 m at 55°C . Determine the location at which the film will become turbulent.

Solution: Turbulence sets in when

$$\frac{4G}{\mu} = 1800$$

Taking property values from example 11.6,

$$G = \frac{1800}{4} \times \mu = \frac{1800}{4} \times 985 \times 0.478 \times 10^{-6} = 0.2118735 \text{ kg/sm}$$

The length at which turbulence occurs L_T is obtained by considering mass flow for unit depth

$$G = m = \frac{\rho_1 (\rho_1 - \rho_v) g \delta^3}{3\mu}$$

and

$$\delta = \left[\frac{4 \mu k x (T_g - T_w)}{g h_{fg} \rho_1 (\rho_1 - \rho_v)} \right]^{0.25}$$

$$\text{Solving for } x, 0.2118735 = \frac{\rho_1 (\rho_1 - \rho_v) g}{3\mu} \left[\frac{4 \mu k (T_g - T_w)}{g h_{fg} \rho_1 (\rho_1 - \rho_v)} \right]^{0.75} x^{0.75}$$

$$\therefore \quad \mathbf{L_T = x = 18.07 \text{ m.}}$$

In this case it takes considerable length for flow to become turbulent.

11.5 FREEZING AND MELTING

When a liquid in a vessel is exposed on the top to a temperature lower than the freezing temperature, the liquid on the top layer will solidify first and slowly the thickness of the solid layer will increase. The thickness of solid will increase with time. Heat is conducted through the solid and then convected at the interface. The solid and the liquid have completely different thermal properties. If the temperature of the liquid is higher than the freezing temperature it has to be cooled by removal of sensible heat. Similarly if a solid at freezing temperature is exposed to higher temperature, the solid will begin to melt and if the liquid is not removed, heat has to be conducted through the liquid layer and then convected at the interface. Other configuration like long cylinders may be also encountered. Solidification in a cylinder may be from inside-out or outside-in as required. The model is rather complex and solutions are available only for simpler situations.

11.5.1. Melting of solid at freezing temperature when exposed to a higher temperature by convection at the surface.

The physical situation is shown in Fig. 11.5. The assumptions are that the solid is at freezing temperature and the heat required to increase the temperature of the liquid is small compared to the heat of fusion of ice to be added.

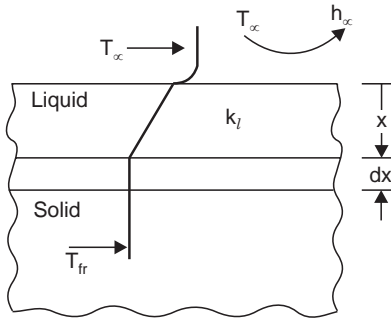


Fig. 11.5. Melting of solid at melting temperature.

Then, for unit area, the heat flow at any given instant when the liquid layer is xm thick with conductivity k_l is

$$q = \left[\frac{T_\infty - T_{fr}}{\frac{1}{h_\infty} + \frac{x}{k_l}} \right] \quad \dots(11.36)$$

If a layer of thickness dx melts during time $d\tau$, the rate of energy required for melting is given by (for unit area)

$$q = \rho_s h_{sf} \frac{dx}{d\tau} \quad \dots(11.37)$$

Where ρ_s is the density of solid and h_{sf} is the heat of fusion.

Equating and rearranging

$$\left[\frac{h_\infty (T_\infty - T_{fr})}{\rho_s h_{sf}} \right] d\tau = \left[1 + \frac{x h_\infty}{k_l} \right] dx \quad \dots(11.37 (a))$$

Now introducing a set of new variables

$$x^* = \frac{x h_\infty}{k_l} \quad \text{and} \quad \tau^* = \left[\frac{h_\infty^2 (T_\infty - T_{fr})}{k_l \rho_s h_{sf}} \right] \tau \quad \dots(11.38)$$

The equation (11.37) will become

$$d\tau^* = (1 + x^*) dx^* \quad \dots(11.39)$$

As RHS of eqn. (11.37) becomes

$$x^* = \frac{x h_\infty}{k_l} \quad \therefore \quad \frac{k_l}{h_\infty} \cdot dx^* = dx,$$

$$\therefore \quad \left(1 + \frac{x h_\infty}{k_l} \right) dx = \frac{k_l}{h_\infty} (1 + x^*) dx^*$$

LHS of eqn. (11.37) becomes, using (11.38)

$$d\tau^* (k_f/h_\infty)$$

Eqn. (11.39) can be integrated from time 0 to time τ or time τ_1 to τ_2

$$\text{This gives } \tau^* = x^* + 0.5x^2 \quad \dots(11.40)$$

Equation (11.40) can be used to determine the time required for a given depth of layer to melt or the layer thickness melted during a given time. Solid at a temperature lower than freezing temperature is not considered.

11.5.2. Liquid solidifying at freezing temperature: Equation (11.40) is directly applicable except that k_l should now replace k_s and x is thickness of solid layer and not liquid layer. The model is shown in Fig. 11.6. Here also the time for freezing of certain thickness or the thickness frozen during a given time interval are calculated. using equation (11.40).

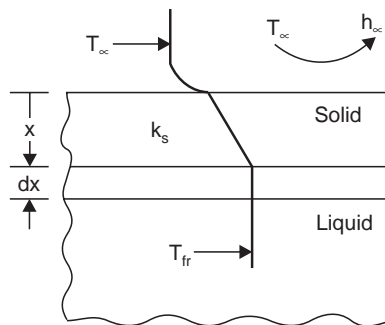


Fig. 11.6. Freezing of liquid at freezing temperature.

11.5.3. A more practical case of freezing is when the liquid is above freezing temperature.

The model is shown in Fig. 11.7.

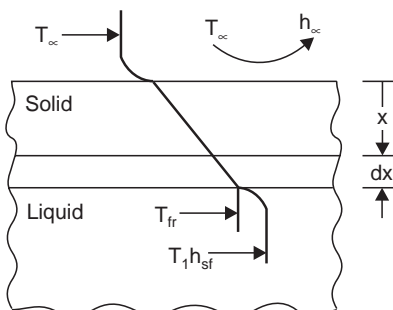


Fig. 11.7. Freezing of liquid at temperature higher than the freezing point.

In this case convection is encountered at the liquid solid interface also.

In this case heat is removed not only for freezing but also for cooling the liquid.

$$\text{Heat removed for freezing} = \rho_s h_{sf} dx/d\tau$$

$$\text{Heat removed for cooling the liquid} = h_c (\tau_1 - \tau_{fr})$$

The total heat should pass through the solid layer and to the outside.

$$\frac{T_{fr} - T_{\infty}}{\left(\frac{x}{k_s}\right) + \left(\frac{1}{h_{\infty}}\right)} = \frac{T_1 - T_{fr}}{(1/h_1)} + \frac{\rho_s h_{sf} \cdot dx}{d\tau} \quad \dots(11.41)$$

Defining four new variables

$$T^* = \frac{T_1 - T_{fr}}{T_{fr} - T_{\infty}}, \quad x^* = \frac{x h_{\infty}}{k_s}$$

$$\tau^* = \left[\frac{h_{\infty}^2 (T_{fr} - T_{\infty})}{k_s \rho_s h_{sf}} \right] \tau, \quad H^* = \frac{h_1}{h_{\infty}} \quad \dots(11.42)$$

Eqn. (11.41) reduces to

$$1/(x^* + 1) = H^* T^* + dx^*/d\tau^* \quad \dots(11.43)$$

Rearranging and integrating from time zero to time τ ,

$$\tau^* = \left(\frac{1}{H^* T^*}\right)^2 \ln \left[\frac{1 - H^* T^*}{1 - H^* T^* (1 + x^*)} \right] - \frac{x^*}{H^* T^*} \quad \dots(11.44)$$

In this case, the time required for freezing to a certain depth is directly solvable but the inverse *i.e.*, depth frozen during a given time can be arrived at only by trial or by chart solution.

For the case of freezing of liquid at the saturation temperature, $H^* T^* = 0$ and equation (11.43) should be integrated neglecting $H^* T^*$, which gives the same equation as (11.39) and (11.40) except for properties.

Equation (11.44) should not be directly used in this case, as this will lead to division by zero.

11.5.4. Freezing inside of cylinder-saturated liquid-inward and outward: The model is shown in Fig. 11.8 (a) and (b)

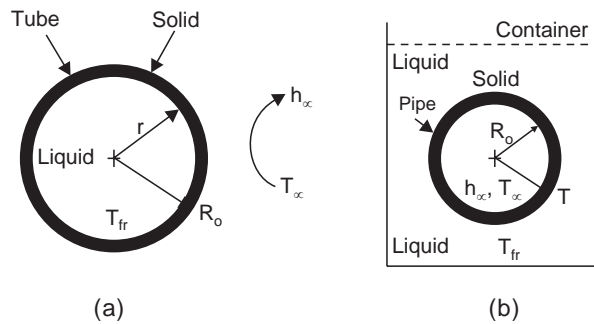


Fig. 11.8. (a) Cylinder-Freezing inwards

(b) Cylinder-Freezing outwards

Defining

$$r^* = r/R_o \quad R^* = h_{\infty} R_o/k_s$$

$$\tau^* = \frac{(T_{fr} - T_{\infty}) k_s \tau}{\rho_s h_{sf} R_o^2} \quad \dots(11.45)$$

For inward freezing the equation is

$$\tau^* = 0.5 r^{*2} \ln r^* + \left[\frac{1}{2R^*} + 0.25 \right] (1 - r^{*2}) \quad \dots(11.46)$$

For outward freezing the equation is

$$\tau^* = 0.5 r^{*2} \ln r^* + \left[\frac{1}{2R^*} - 0.25 \right] (r^{*2} - 1) \quad \dots(11.47)$$

Here also it is easier to calculate directly the time required for a given depth of freezing. The inverse is to be solved by trial, *i.e.*, the thickness frozen in a specified time. Charts are available in data books for ease of calculation in this case.

Example 11.9: Water at 0°C is exposed over the surface to convection at -11°C with $h_\infty = 570 \text{ W/m}^2\text{K}$. Determine the time required for ice of 3 mm thickness to form.

Solution: $k_s = 2.22 \text{ W/mK}$, $h_{sf} = 333700 \text{ J/kg}$, $\rho_s = 918 \text{ kg/m}^3$
 $\tau^* = x^* + 0.5 x^{*2}$

$$\tau^* = \left[\frac{h_\infty^2 (T_{fr} - T_\infty)}{k_s \rho_s h_{sf}} \right] \tau, \quad x^* = \frac{x h_\infty}{k_s} \quad x^* = \frac{0.003 \times 570}{2.22} = 0.77027,$$

$\therefore \tau^* = 1.066928$

$$\begin{aligned} \tau &= \tau^* k_s \rho_s h_{sf} - h_\infty^2 (T_{fr} - T_\infty) \\ &= 1.066928 \times 2.22 \times 918 \times 333700 / (570^2 \times 11) = \mathbf{203 \text{ seconds}} \end{aligned}$$

It requires about 3.5 minutes to form 3 mm layer of ice.

Example 11.10: In example 11.9, if the water is at 8°C with a convection coefficient of $57 \text{ W/m}^2\text{K}$ at the surface, and if the convection temperature at the surface is -20°C , determine the time for ice to form to a thickness of 4 mm.

Solution: This is freezing of water from a temperature above freezing point.

$$T^* = \frac{T_1 - T_{fr}}{T_{fr} - T_\infty} = \frac{8}{20} = 0.4$$

$$x^* = 0.004 \times 570 / 2.22 = 1.027$$

$$H^* = h_1 / h_\infty = 57 / 570 = 0.1$$

$$\begin{aligned} \tau^* &= \left(\frac{1}{H^* T^*} \right)^2 \ln \left[\frac{1 - H^* T^*}{1 - H^* T^* (1 + x^*)} \right] - \frac{x^*}{H^* T^*} \\ &= \left(\frac{1}{0.4 \times 0.1} \right)^2 \ln \left[\frac{1 - 0.4 \times 0.1}{1 - 0.4 \times 0.1 (1 + 1.027)} \right] - \frac{1.027}{0.4 \times 0.1} = 1.66 \end{aligned}$$

$$\begin{aligned} \tau &= \tau^* k_s \cdot \rho_s h_{sf} / h_\infty^2 (T_{fr} - T_\infty) \\ &= 1.66 \times 2.22 \times 918 \times 333700 / (570^2 \times 20) = \mathbf{173.6 \text{ s}} \end{aligned}$$

Note that a lower surface temperature is used in this case, and hence the shorter time requirement.

Example 11.11: A long cylindrical drum of 0.4 m, dia containing water at 0.°C is exposed on the outside to a convection of 600 W/m²K, at -20°C. Determine the time required for ice to form to a depth of 0.1 m.

Solution: Using the data from example 11.9, (Freezing inside cylinder)

$$r^* = r/R_0 = \frac{0.1}{0.2} = 0.5$$

$$R^* = 600 \times 0.2/2.22 = 54.054$$

$$\tau = \tau^* \rho_s h_{sf} R_0^2/k_s (T_{fr} - T_\infty)$$

$$\tau^* = 0.5 r^{*2} \ln r^* + \left(\frac{1}{2R^*} + 0.25 \right) (1 - r^{*2})$$

$$= -0.00866 + 0.194437 = 0.107794$$

$$\therefore \tau = 29749 \text{ s (from definition of } \tau^*, 11.45) \text{ or } 8.26 \text{ hours}$$

Note that the thickness is rather large (10 cm) and hence the longer time period.

SOLVED PROBLEMS

Problem 11.1: Water is evaporated under pool boiling conditions at a pressure of 40 bar over a mechanically polished stainless steel surfaces. Calculate the critical heat flux and the excess temperature at which it occurs assuming nucleate boiling to continue upto this point.

Solution: The temperature corresponding to the pressure is 250.4°C. The property values: at 250.4°C are:

$$\rho_v = 20.09 \text{ kg/m}^3, \rho_1 = 799.9 \text{ kg/m}^3, h_{fg} = 1714.1 \text{ kJ/kg}$$

$$\sigma = 26.1 \times 10^{-3} \text{ N/m. From table 11.1 } C_{sf} = 0.0132$$

Using equation (11.3) for calculating critical heat flux and substituting the property values.

$$\begin{aligned} \mathbf{q_{cr}} &= 0.149 h_{fg} (\sigma g g_0 (\rho_1 - \rho_v) \rho_v^2)^{1/4} \\ &= 0.149 \times 1714.1 \times 10^3 (26.1 \times 10^{-3} \times 9.81 \\ &\quad \times 1 (799.9 - 20.09) 20.09^2)^{1/4} \\ &= \mathbf{4.3031 \times 10^6 \text{ W/m}^2}. \end{aligned}$$

Note: In the text, for water the maximum heat flux is mentioned as 3.8 MW/m².

Assuming that this occurs in the limiting nucleate boiling condition, eqn. (11.2) is used. Other property values required are $c_1 = 4856.36 \text{ J/kgK}$, $\mu_1 = 1.119 \times 10^{-4} \text{ kg/ms}$ (The viscosity value is determined as $\nu\rho$), $Pr = 0.8725$

$$\begin{aligned} q &= \left[\frac{C_1 \Delta T}{h_{fg} Pr C_{sf}} \right]^3 \mu_1 h_{fg} \left[\frac{g(\rho_1 - \rho_v)}{g_0 \sigma} \right]^{0.5} \\ &= \left[\frac{4856.36 \times \Delta T}{1714.1 \times 10^3 \times 0.8725 \times 0.0132} \right]^3 \cdot 1.119 \times 10^{-4} \times 1714.1 \times 10^3 \\ &\quad \times \left[\frac{9.81 (799.9 - 20.09)}{1 \times 26.1 \times 10^{-3}} \right]^{0.5} = 1545.9 \times \Delta T^3 \quad \dots(\text{P. 11.1}) \end{aligned}$$

Substituting q_{cr} for q , $\Delta T = 14.98^\circ\text{C}$

This value can be verified from plots of q vs ΔT for various pressures available in literature.

In this case Nucleate pool boiling will occur up to an excess temperature of 14.98°C .

Problem 11.2: Determine for the situation of Problem 11.1, the heat flux for excess temperatures of 2.5, 5, 7.5, 10 and 12.5°C .

Solution: Using eqn. P. 11.1.1, $q = 1545.9 \times \Delta T^3$, the calculated values are given below:

$\Delta T^\circ\text{C}$	2.5	5	7.5	10	12.5
$q, 10^6 \text{ W/m}^2$	0.0242	0.1932	0.6522	1.5459	3.0193
$h, \text{ W/m}^2\text{K}$	9680	38640	86960	154590	251544

Problem 11.3: Determine the heat flux if in problem 11.1 the excess temperature is 400°C .

Solution: Equation (11.6) is applicable

$$h_c = 0.425 \left[\frac{g(\rho_1 - \rho_v)^{1.5} \rho_v k_v^3 (h_{fg} + 0.68 c_{pv} \Delta T)}{(g_0 \sigma)^{0.5} \mu_v \Delta T} \right]^{1/4}$$

The property values at film temperature $(650.4 + 250.4)/2 = 450.4^\circ\text{C}$

$$\rho_1 = 799.9 \text{ kg/m}^3, h_{fg} = 1714.1 \times 10^3 \text{ J/kg}$$

$$\rho_v = 15.94, \sigma = 9 \times 10^{-3} \text{ N/m}, k_v = 0.0627 \text{ W/mK}, c_{pv} = 5694 \text{ J/kgK}$$

$$\mu_v = 22.85 \times 10^{-6} \text{ kg/ms (density and } h_{fg} \text{ - steam tables)}$$

$$\therefore h_c = 0.425 \left[\frac{9.81(799.9 - 15.94)^{1.5} 15.94 \times (0.0627)^3 (1714.1 \times 10^3 + 0.68 \times 400 \times 5694)}{(1 \times 9 \times 10^{-3})^{0.5} \times 22.85 \times 10^{-6} \times 400} \right]^{0.25}$$

$$= 567.7 \text{ W/m}^2\text{K}$$

$$h_r = \epsilon \sigma (T_w^4 - T_s^4)/(T_w - T_s) = 0.65 \times 5.67 (9.234^4 - 5.234^4)/400 = 59.18 \text{ W/m}^2\text{K}$$

$$\therefore h = 567.1 + 0.75 (59.18) = \mathbf{612.1 \text{ W/m}^2 \text{ K}}$$

$$q = h \Delta T = 0.2448 \times 10^6 \text{ W/m}^2.$$

Problem 10.4: Refrigerant 12 evaporates at -20°C to provide the cooling of food. Determine the critical heat flux and heat flux when the surface temperature is at 10°C . Also determine the excess temperature at which the critical flux occurs. The property values are:

Solution:

$$\rho_1 = 1460 \text{ kg/m}^3, \rho_v = 9.15 \text{ kg/m}^3$$

$$h_{fg} = 161.78 \times 10^3, \sigma = 23 \times 10^{-3} \text{ N/m}, C_{sf} = 0.013 \text{ (assumed)}$$

$$Pr = 4.40, c_1 = 909 \text{ J/kgK}$$

$$\mu_1 = 3.431 \times 10^{-4} \text{ kg/ms}$$

Using (11.3)

$$q_{cr} = 0.149 \times 161.78 \times 10^3 [23 \times 10^{-3} \times 9.81 \times 1 (1460 - 9.15) 9.15^2]^{1/4}$$

$$= \mathbf{0.310 \times 10^6 \text{ W/m}^2}$$

Using (11.2)

$$q = \left[\frac{909 \times \Delta T}{161.78 \times 10^3 \times 4.4^{1.7} \times 0.013} \right]^3 3.431 \times 10^{-4} \times 161.78 \times 10^3 \times \left[\frac{9.81(1460 - 9.15)}{1 \times 23 \times 10^{-3}} \right]^{0.5}$$

$$\mathbf{q = 1.84334 \times \Delta T^3}$$

Substituting q_{cr} for q , $\Delta T = 58.8^\circ\text{C}$

When surface temp. is 10°C , $\Delta T = 30^\circ\text{C}$ i.e., $10 - (-20)$

$$\therefore \mathbf{q = 1.84334 \times \Delta T^3 = 0.05 \times 10^6 \text{ W/m}^2}$$

$$\mathbf{h = 1659 \text{ W/m}^2 \text{ K.}}$$

Note : Sources for property values of liquids other than water are scarce.

Problem 11.5: *n-Butyl alcohol boils on a copper surface at 1 atm. The saturation temperature is 117.5°C . Determine the critical heat flux and heat flux for excess temperatures of 10, 20, 200°C . Also determine the excess temperature at the critical flux condition.*

Solution: The property values are:

$$\sigma = 0.0183 \text{ N/m}, h_{fg} = 591500 \text{ J/kg}$$

$$\rho_v = 2.3 \text{ kg/m}^3, \mu_v = 0.143 \times 10^{-3} \text{ kg/ms}$$

$$\rho_l = 737 \text{ kg/m}^3, \mu_l = 0.39 \times 10^{-3} \text{ kg/ms}$$

$$c_l = 2876 \text{ J/kgK}, Pr = 6.9, k_l = 0.163 \text{ W/mK}$$

$$C_{sf} = 0.00305, c_{pv} = 1706 \text{ J/kgK}, k_v = 0.02 \text{ W/mK}$$

Using equation (11.3)

$$\mathbf{q_{cr} = 0.149 h_{fg} [\sigma g g_o (\rho_l - \rho_v) \rho_v^2]^{1/4}}$$

$$= 0.149 \times 591500 [0.0183 \times 9.81 \times 1 (737 - 2.3) 2.3^2]^{1/4} = \mathbf{0.453 \times 10^6 \text{ W/m}^2}$$

Assuming nucleate boiling and excess temperature ΔT_{cr}

$$0.547 \times 10^6 = \mu_l h_{fg} \left[\frac{c_l}{h_{fg} Pr^{1.7} C_{sf}} \right]^3 \left[\frac{g (\rho_l - \rho_v)}{g_o \sigma} \right]^{0.5} \Delta T_{cr}^3$$

$$= 0.39 \times 10^{-3} \times 591500 \times \left[\frac{2876}{591500 \times 6.9^{1.7} \times 0.00305} \right]^3 \left[\frac{9.81 (737 - 2.3)}{1 \times 0.0183} \right]^{0.5} \Delta T_{cr}^3$$

$$= 30.910 \times \Delta T_{cr}^3 \quad \therefore \mathbf{\Delta T_{cr} = 26.06^\circ\text{C}}$$

For other excess temperatures

$$\mathbf{q_{10} = 30.914 \times 10^3 = 0.0309 \times 10^6 \text{ W/m}^2}$$

$$\mathbf{q_{20} = 30.914 \times 20^3 = 0.2473 \times 10^6 \text{ W/m}^2}$$

At 200°C excess temperature, the condition will be film boiling

Using eqn. (11.6)

$$h_c = 0.425 \left[\frac{g (\rho_l - \rho_v)^{1.5} \rho_v k_v^3 [h_{fg} + 0.68 c_{pv} \Delta T]}{(g_o \sigma)^{0.5} \mu_v \Delta T} \right]^{0.25} = 0.425$$

$$\times \left[\frac{9.81 (737 - 2.3)^{1.5} \times 2.3 \times 0.02^3 (591500 + 0.68 \times 1706 \times 200)}{(1 \times 0.0183)^{0.5} \times 0.143 \times 10^{-3} \times 200} \right]^{0.25}$$

$$= \mathbf{72.9 \text{ W/m}^2 \text{ K}}$$

$$\begin{aligned} \text{Let } \quad \epsilon &= 0.6, T_w = 317.5 + 273 \\ T_{\text{sat}} &= 117.5 + 273 \\ \mathbf{h}_r &= \epsilon \sigma (T_w^4 - T_{\text{sat}}^4)/(T_w - T_{\text{sat}}) = \mathbf{16.72 \text{ W/m}^2 \text{ K}} \\ \mathbf{q} &= (72.9 + 0.75 \times 16.72) 200 = \mathbf{0.017 \times 10^6 \text{ W/m}^2} \end{aligned}$$

lower than at 10°C excess temperature.

Note: The same value of heat flux can occur at more than one excess temperature lying in the nucleate and film boiling regimes.

Problem 11.6: For water boiling at 1 atm at 100°C determine the value of excess temperature in the film boiling region for a heat flux equal to the critical heat flux for this condition. The property values at 100°C are:

$$\begin{aligned} \rho_l &= 961, \rho_v = 0.598 \text{ kg/m}^3, h_{fg} = 2257 \times 10^3 \text{ J/kg.} \\ \sigma &= 58.8 \times 10^{-3} \text{ N/m} \end{aligned}$$

Solution: Using eqn. (11.3), $\mathbf{q_{cr} = 0.149 \times 2257 \times 10^3}$
 $\times [58.8 \times 10^{-3} \times 9.81(961 - 0.598) \times 0.598^2]^{1/4} = \mathbf{1.262 \times 10^6 \text{ W/m}^2}$

In the film boiling region eqn. (11.6) and (11.7) are to be used.

The convection coefficient h_c is given by

$$h_c = 0.425 \left[\frac{g(\rho_l - \rho_v)^{1.5} \rho_v k_v^3 [h_{fg} + 0.68 \times c_{pv} \Delta T]}{(g\sigma)^{0.5} \mu_v \Delta T} \right]^{0.25} \quad h_r = \epsilon \sigma \left[\frac{T_w^4 - T_{\text{sat}}^4}{T_w - T_{\text{sat}}} \right]$$

The property values k_v and μ_v should be taken at $(T_w + T_{\text{sat}})/2$.

Only a trial solution is possible.

Assuming 1100°C excess temperature, film temp. = 600°C

$$\rho_v = 0.252, k_v = 0.08176, \mu_v = 33.15 \times 10^{-6} \text{ c}_{pv} = 2206 \text{ J/kgK}$$

Assuming an emissivity of 0.8 (rough surface)

$$T_w = 1100 + 100 + 273 = 1473 \text{ K, } T_{\text{sat}} = 373 \text{ K}$$

$$h_r = \frac{0.8 \times 5.67}{1100} [14.73^4 - 3.73^4] = 193.33 \text{ W/m}^2 \text{ K}$$

$$h_c = 0.425 \times \left[\frac{9.81(961 - 0.252)^{1.5} \times 0.252 \times (0.08176)^3 [2257 \times 10^3 + 0.68 \times 1100 \times 2206]}{(1 \times 58.8 \times 10^{-3})^{0.5} 33.15 \times 10^{-6} \times 1100} \right]^{1/4}$$

$$= 155.18 \text{ W/m}^2 \text{ K}$$

$$\therefore h = 300.2 \text{ W/m}^2 \text{ K} \quad \therefore q = 0.33 \times 10^6$$

This falls short of the critical flux.

Assuming 1900°C excess Temp., $T_f = 1000^\circ\text{C}$

Property values are:

$$\begin{aligned} \rho_v &= 0.172, k_v = 0.14072, \mu_v = 52.37 \times 10^{-6}, \\ C_{pv} &= 2483 \\ T_w &= 2273 \text{ K, } T_{\text{sat}} = 373 \text{ K} \end{aligned}$$

$$h_r = 637.8, h_c = 273.5, h = 751.85, q = 1.43 \times 10^6 \text{ W/m}^2.$$

This is nearer to 1.262×10^6 .

Problem 11.7: A copper tube of 2.5 cm dia with a surface temperature of 250°C is immersed in water at 100°C at atmospheric pressure. Determine the convective heat transfer coefficient on the outside.

Solution: The excess temperature is 150°C . So the regime is film boiling. The property values are at 100°C for liquid and at 175°C for vapour.

$$\rho_1 = 961, \rho_v = 0.4975, k_v = 0.03105$$

$$h_{fg} = 2257 \times 10^3 \text{ J/kg}, c_{pv} = 2015.8, \mu_v = 14.91 \times 10^{-6} \text{ kg/ms}$$

$$\begin{aligned} h_c &= 0.62 \left[\frac{g(\rho_1 - \rho_v) \rho_v k_v^3 (h_{fg} + 0.68 c_{pv} \Delta T)}{D \mu_v \Delta T} \right]^{0.25} \\ &= 0.62 \left[\frac{9.81(961 - 0.4975) 0.4975 (0.03105)^3 (2257 \times 10^3 + 0.68 \times 2016 \times 150)}{0.025 \times 14.91 \times 10^{-6} \times 150} \right]^{0.25} \\ &= \mathbf{173.84 \text{ W/m}^2 \text{ K}} \end{aligned}$$

Let $\epsilon = 0.76$ (copper oxidised)

$$h_r = 0.76 \times 5.67 \left[\frac{5.23^4 - 3.73^4}{150} \right] = \mathbf{15.9 \text{ W/m}^2 \text{ K}}$$

$$\therefore h = 173.8 + 0.75 \times 15.9 = \mathbf{185.8 \text{ W/m}^2 \text{ K}}$$

$$\therefore q = h \Delta T = \mathbf{0.0279 \times 10^6 \text{ W/m}^2}$$

(Compare with maximum heat flux of about $4.3031 \times 10^6 \text{ W/m}^2$ problem 11.1)

Problem 11.8: It is desired to generate 500 kg/hr of steam at 180°C saturated condition using 20 m^2 area. Determine the surface temperature. Also estimate the value of convection coefficient.

Solution: The property values required are : $h_{fg} = 2015 \times 10^3 \text{ J/kg}$ (steam tables)

$$\mu_1 = 1.538 \times 10^{-4}, \rho_1 = 889, \rho_v = 5.1533, \sigma = 42.16 \times 10^{-3} \text{ N/m}$$

$$Pr = 1.044, c_1 = 4417 \text{ J/kg K},$$

$$C_{sf} = 0.013 \text{ (for general application)}$$

$$\text{Heat flux} = 500 \times 2015 \times 10^3 / 3600 \times 20 = \mathbf{0.014 \times 10^6 \text{ W/m}^2}$$

Using eqn. (11.2)

$$\begin{aligned} 0.014 \times 10^6 &= \left[\frac{4417 \Delta T}{0.013 \times 2015 \times 10^3 \times 1.044} \right]^3 \cdot 1.538 \times 10^{-4} \times 2015 \times 10^3 \\ &\quad \times \left[\frac{9.81(889 - 5.15)}{1 \times 42.16 \times 10^{-3}} \right]^{0.5} \end{aligned}$$

$$\Delta T = 2.9^\circ\text{C} \quad \therefore h = \mathbf{4876 \text{ W/m}^2 \text{ K}}.$$

Problem 11.9: Calculate the flow velocity through a 62.5 mm ID tube for obtaining the value of convective heat transfer coefficient of 4876 W/m² K for water at a bulk mean temperature of 180°C (same as boiling with $\Delta T = 2.9^\circ\text{C}$).

Solution: $Nu = 0.023 Re^{0.8} Pr^{0.4}$... (P. 11.9.1)

$$h = \frac{k}{D} \times 0.023 \left(\frac{uD}{\nu} \right)^{0.8} Pr^{0.4}$$

At 180°C, (bulk mean temperature)

$$\nu = 0.173 \times 10^{-6} \text{ m}^2/\text{s}, Pr = 1.044, k = 0.6757 \text{ W/mK}$$

$$\therefore 4876 = \frac{0.6757}{0.0625} \times 0.023 \left[\frac{0.0625}{0.173 \times 10^{-6}} \right]^{0.8} (1.044)^{0.4} \times u^{0.8}$$

$$\therefore \mathbf{u = 0.63 \text{ m/s}, Re = 227 \times 10^3 \text{ (Turbulent)}}$$

This is for low value of excess temperature.

Problem 11.10: What should be the velocity in problem 11.9 for heat flux to be equal to the critical heat flux?

Solution: Critical heat flux (eqn. 11.3)

$$q_{cr} = 0.149 h_{fg} \rho_v \left[\frac{\sigma g_o (\rho_1 - \rho_v)}{\rho_v^2} \right]^{0.25}$$

Using the data from problem P. 11.8

$$q_{cr} = 0.149 \times 2015 \times 10^3 \times 5.1533 \times \left[\frac{42.16 \times 10^{-3} \times 9.81(889 - 5.1533)}{(5.1533)^2} \right]^{0.25} = 2.98 \times 10^6 \text{ W/m}^2$$

Using equation P. 11.9.1.

$$\therefore 2.98 \times 10^6 = \frac{0.6757}{0.0625} \times 0.023 \left(\frac{0.0625}{0.176 \times 10^{-6}} \right)^{0.8} (1.044)^{0.4} u^{0.8}$$

$$\therefore \mathbf{u = 1910 \text{ m/s.}}$$

A very high velocity is required to achieve this heat flux in forced convection.

Problem 11.11: Determine the value of minimum heat flux in film boiling of water at 100°C over a horizontal stainless steel surface.

Solution: The property values taken at 100°C are $\rho_1 = 961 \text{ kg/m}^3$

$$\rho_v = 0.598, h_{fg} = 2257 \times 10^3, \sigma = 58.8 \times 10^{-3} \text{ N/m},$$

ρ_{vf} is assumed as 0.598 to start with

Using equation (11.9 (b)), for unit area

$$q = 0.09 h_{fg} \rho_{vf} \left[\frac{g g_o \sigma (\rho_1 - \rho_v)}{(\rho_1 - \rho_v)^2} \right]^{1/4}$$

Substituting the values $\mathbf{q} = 0.019 \times 10^6 \text{ W/m}^2$

Compare with problem 11.6, $\mathbf{q}_{cr} = 1.524 \times 10^6 \text{ W/m}^2$

This is about 1.25% of q_{cr}

This is due to the film resistance.

The value will be still lower as ρ_{vf} corresponding to the film temperature will be lower still.

The value has to be solved for by trial.

Problem 11.12: *In condensation show that the film Reynolds number at location x can be expressed as*

Solution:
$$Re_{\delta} = 3.771 \left[\frac{x^3 (T_g - T_w)^3 \rho_f (\rho_f - \rho_v) g k_f^3}{\mu_f^5 h_{fg}^3} \right]^{1/4}$$

Film Reynolds number is defined as

$Re_{\delta} = 4G/\mu$ Where G is the mass flow per unit depth in the film (eqn. 11.28), δ is the film thickness.

The mass flow unit depth is given by eqn. (11.16)

$$G = \frac{\rho_f (\rho_f - \rho_v) g \delta^3}{3\mu} \quad \therefore \quad Re_{\delta} = \frac{4\rho_f (\rho_f - \rho_v) g \delta^3}{3\mu^2}$$

From equation (11.21)

$$\delta = \left[\frac{4\mu k \times (T_g - T_w)}{g h_{fg} (\rho_f - \rho_v) \rho_f} \right]^{0.25}$$

Substituting

$$\begin{aligned} Re_{\delta} &= \frac{4\rho_f (\rho_f - \rho_v) g}{3\mu^2} \cdot \left[\frac{4\mu k \times (T_g - T_w)}{g h_{fg} (\rho_f - \rho_v) \rho_f} \right]^{3/4} \\ &= \left[\frac{4^4 \rho_f^4 (\rho_f - \rho_v)^4 g^4}{3^4 \mu^8} \right]^{1/4} \left[\frac{4^3 \mu^3 k^3 x^3 (T_g - T_w)^3}{g^3 h_{fg}^3 (\rho_f - \rho_v)^3 \rho_f^3} \right]^{1/4} \\ &= \left[\frac{4^7}{3^4} \cdot \frac{\rho_f^4 (\rho_f - \rho_v)^4 g^4 \mu^3 k^3 x^3 (T_g - T_w)^3}{\mu^8 g^3 h_{fg}^3 (\rho_f - \rho_v)^3 \rho_f^3} \right]^{1/4} \\ \therefore \quad Re_{\delta} &= 3.711 \left[\frac{x^3 (T_g - T_w)^3 \rho_f (\rho_f - \rho_v) g k_f^3}{\mu_f^5 h_{fg}^3} \right]^{1/4} \end{aligned}$$

Problem 11.13: *Mass flow rate in laminar film is available as seen in the problem 11.12. Derive an expression for the mass flow in a vertical wall at distance x from the top turbulent film. Use the heat transfer correlation for turbulent region.*

Solution: Two basic relations are used: Assuming unit width and depth x ,
heat transfer as measured by condensate = heat convected

$$m h_{fg} = \bar{h} x \Delta T \quad \therefore \quad \bar{h} = m h_{fg} / x \Delta T$$

Where m is the flow rate kg/s and $\Delta T = (T_g - T_w)$

The heat transfer correlation is given by eqn. (11.31)

$$CO = 0.0077 Re_\delta^{0.4}$$

Substituting for condensation number CO from eqn. (11.30) and Re

$$\bar{h} \left[\frac{\mu^2}{k^3 \rho_1 (\rho_1 - \rho_v) g} \right]^{1/3} = 0.0077 \left[\frac{4m}{\mu} \right]^{0.4}$$

Substituting for \bar{h} and rearranging,

$$m \left(\frac{h_{fg}}{x \Delta T} \right) \left[\frac{\mu^2}{k^3 \rho_1 (\rho_1 - \rho_v) g} \right]^{1/3} = \frac{0.0077 \times 4^{0.4}}{\mu^{0.4}} m^{0.4}$$

$$m^{3/5} = \frac{0.01341}{\mu^{0.4}} \left[\frac{x^3 \Delta T^3 k^3 \rho_1 (\rho_1 - \rho_v) g}{h_{fg}^3 \mu^2} \right]^{1/3}$$

neglecting ρ_v as small

$$\therefore \quad m = 7.56585 \times 10^{-4} \left[\frac{x^3 \Delta T^3 k^3 \rho_1^2 g}{h_{fg}^3 \mu^{3.2}} \right]^{5/9}$$

This provides a means of direct calculation of mass condensed for a distance of x metre for unit width and unit time in the turbulent region.

Problem 11.14: Derive an expression for the average value of convection coefficient in the turbulent region in terms of property values and distance. Use the correlations in terms of Re_δ as starting point.

$$CO = 0.0077 Re_\delta^{0.4}$$

Solution: Substituting for CO and for m in Re_δ

$$CO = \bar{h} \left[\frac{\mu^2}{k^3 \rho_1 (\rho_1 - \rho_v) g} \right]^{1/3} \quad \text{and} \quad m h_{fg} = \bar{h} \times \Delta T \quad (\text{unit width})$$

$$\bar{h} \left[\frac{\mu^2}{k^3 \rho_1 (\rho_1 - \rho_v) g} \right]^{1/3} = 0.0077 \times 4^{0.4} \frac{\bar{h}^{0.4} x^{0.4} \Delta T^{0.4}}{\mu^{0.4} h_{fg}^{0.4}}$$

$$\therefore \quad \bar{h}^{0.6} = 0.0077 \times 4^{0.4} \left[\frac{x^{1.2} \Delta T^{1.2} k^3 \rho_1 (\rho_1 - \rho_v) g}{h_{fg}^{1.2} \mu^{3.2}} \right]^{1/3}$$

$$\therefore \quad \bar{h} = 7.56585 \times 10^{-4} \left[\frac{x^{1.2} \cdot \Delta T^{1.2} k^3 \rho_1 (\rho_1 - \rho_v) g}{h_{fg}^{1.2} \mu^{3.2}} \right]^{5/9} \quad \dots(11.14.1)$$

This expression is usable directly from property values and temperature difference and plate dimension.

Problem 11.15: Steam at 100°C condenses on the outside of a horizontal tube of 0.15 m dia maintained at 95°C. Compare the value of convection coefficient of heat transfer with the coefficient obtainable in boiling of water at 100°C with wall temperature at 105°C.

Solution: Considering condensation and using equation (11.27)

$$h = 0.725 \left[\frac{\rho_1(\rho_1 - \rho_v)g h_{fg} k_f^3}{\mu_f d (T_g - T_w)} \right]^{1/4}$$

The property values are $\rho_1 = 961$, $\rho_v = 0.598$

$$k_f = 0.67894, \mu_f = 2.907 \times 10^{-4}, h_{fg} = 2257 \times 10^3 \text{ J/kg}$$

(f -means at film temperature 97.5°C)

$$h = 0.725 \left[\frac{961(961 - 0.598) 9.81 \times 2257 \times 10^3 \times 0.67894^3}{2.907 \times 10^{-4} \times 0.15 \times 5} \right]^{1/4}$$

$$= 9488.1 \text{ W/m}^2\text{K}$$

Considering Boiling: $\mu_1 = 2.816 \times 10^{-4}$, $\sigma = 58.8 \times 10^{-3} \text{ N/m}$

$$c_1 = 4216 \text{ J/kgK}, \text{Pr} = 1.74, C_{sf} = 0.013$$

Using equation (11.2)

$$\mathbf{q} = \left(\frac{4216 \times 5}{0.013 \times 2257 \times 10^3 \times 1.74} \right)^3 \times 2.816 \times 10^{-4} \times 2257 \times 10^3$$

$$\times \left(\frac{9.81(961 - 0.598)}{58.8 \times 10^{-3}} \right)^{0.5} = 0.018 \times 10^6$$

$$\mathbf{h} = q/\Delta T = 3582 \text{ W/m}^2 \text{ K.}$$

Problem 11.16: Compare the value of average convection coefficient in condensation for a horizontal pipe and a vertical plate of height $\pi D/2$ for the same conditions.

Solution : Using eqn. (11.26) and (11.27)

$$\text{For a plate : } \bar{h} = 0.943 \left[\frac{\rho_1(\rho_1 - \rho_v)g h_{fg} k_f^3}{(\pi D / 2) \cdot \mu_f (T_g - T_w)} \right]^{1/4}$$

$$\text{For a pipe : } \bar{h} = 0.725 \left[\frac{\rho_1(\rho_1 - \rho_v)g h_{fg} k_f^3}{D \cdot \mu_f (T_g - T_w)} \right]^{1/4}$$

$$\text{Dividing } \frac{h_{\text{plate}}}{h_{\text{cyl}}} = \frac{0.943}{(\pi / 2)^{0.25}} / 0.725 = 1.162$$

For the same area, plate provides a higher value of convection coefficient in condensation compared to horizontal tube.

Problem 11.17: A plate type of condenser is of side $L \times 2L$. It was designed to be kept with side of length $2L$ in the vertical position. But by oversight, the side of length L was kept vertical. If other conditions are the same, determine the change in heat transfer if any. Assume laminar conditions in both cases.

Solution: Using eqn. (11.26)

$$h = 0.943 \left[\frac{\rho(\rho - \rho_v) g h_{fg} \cdot k_f^3}{L \mu_f (T_g - T_w)} \right]^{1/4}$$

$$\therefore \frac{\bar{h}_{2L}}{h_L} = \left(\frac{1}{2} \right)^{1/4} = 0.8409 \text{ or } h_{2L} = 0.8409 h_L$$

\therefore The heat flow **will increase when the shorter side is kept vertical**. The increase is about 18.92%. It is desirable to have the shorter side vertical.

Problem 11.18: A plate condenser is designed to be kept vertical. Due to site conditions, it is to be kept at 30° to the vertical. Determine the change in heat transfer, assuming that other conditions remain unchanged.

Solution : For inclined plate g is replaced by $g \cos \theta$ where θ is the angle with the vertical.

$$\therefore \frac{h_{\text{inclined}}}{h_{\text{vertical}}} = (\cos 30)^{1/4} = 0.9647$$

There is a reduction of 3.53 %.

Problem 11.19: A plate type vertical condenser was designed for a particular fluid with a given temperature difference ΔT . This is used with a new fluid whose density is 0.7 of the original fluid and h_{fg} is 0.5 of the original fluid and the conductivity is double that of the original fluid and the viscosity is 1.2 times that of the original fluid. The temperature difference is reduced to 70% of the original value. Determine the % change in the convection coefficient.

$$\text{Solution : } h_1 = 0.943 \left[\frac{\rho_1^2 g h_{fg1} k_{f1}^3}{L \mu_1 (T_g - T_w)_1} \right]^{1/4} \quad h_2 = 0.943 \left[\frac{\rho_2^2 g h_{fg2} k_{f2}^3}{L \mu_2 (T_g - T_w)_2} \right]^{1/4}$$

$$\rho_2 = 0.7 \rho_1, \quad h_{fg2} = 0.5 h_{fg1}, \quad k_{f2} = 2k_{f1}, \quad \mu_2 = 1.2 \mu_1$$

$$\Delta T_2 = 0.7 \Delta T_1$$

Substituting

$$h_2 = 0.943 \left[\frac{0.7^2 \rho_1^2 g 0.5 h_{fg1} 2^3 \cdot k_{f1}^3}{L 1.2 \mu_1 \times 0.7 \Delta T_1} \right]^{1/4}$$

$$= 0.943 \left[\frac{\rho_1^2 g h_{fg1} k_{f1}^3}{L \mu_1 \times \Delta T_1} \right]^{1/4} \left[\frac{0.7^2 \times 0.5 \times 2^3}{1.2 \times 0.7} \right]^{1/4}$$

$$\therefore \frac{h_1}{h_2} = 1 / \left[\frac{0.7^2 \times 0.5 \times 2^3}{1.2 \times 0.7} \right]^{1/4} = \mathbf{0.8091}$$

$$h_2 = h_1 / 0.8091 \text{ or an increase of } 23.59\%.$$

Problem 11.20: For condensing conditions, compare condensation over a pipe of diameter D with that of 2 pipes having the same total circumference, if (i) Both pipes are horizontal and parallel (ii) If these are one over the other. Assume that other conditions remain the same.

Solution: $D = 2d \therefore d = D/2$, Using eqn. (11.28)

$$h = 0.725 \left[\frac{\rho(\rho - \rho_v) g h_{fg} k_f^3}{D \mu_f (T_g - T_w)} \right]^{1/4}$$

Case (i) If D is reduced to half the value, h is increased to $(2)^{0.25}$ times the original value or

$$h_d = 1.1892 h_D$$

This is due to a thinner film over the surface when diameter is lowered.

Area being the same, the heat flow will increase by 18.92% if two tubes are used in parallel instead of one tube of larger diameter.

Case (ii) If pipes are in vertical row, D is replaced by nD here $D = 2(D/2) = D \therefore$ the heat flow remains unchanged. Here in the second pipe, the film becomes thicker and so the change in the first is compensated.

Problem 11.21: Using the expressions derived in problem 11.13 and 11.14 determine the flow rate and convection coefficient for a vertical plate at 60°C condensing steam at 100°C . The plate is 5 m high.

Solution: First a check has to be made to determine whether turbulent conditions prevail.

$$Re_\delta = \frac{4G}{\mu}, \quad G h_{fg} = \bar{h} \cdot L (T_g - T_w)$$

$$\therefore Re_\delta = \frac{4\bar{h}L(T_g - T_w)}{h_{fg} \mu}$$

(assuming laminar conditions to start with)

$$\bar{h} = 0.943 \left[\frac{\rho(\rho - \rho_v) g h_{fg} k_f^3}{L \mu_f (T_g - T_w)} \right]^{1/4}$$

The data available are

at 100°C , $\rho = 961 \text{ kg/m}^3$, $\rho_v = 0.598 \text{ kg/m}^3$, $h_{fg} = 2257 \times 10^3 \text{ J/kg}$ at 80°C

$k_f = 0.6687 \text{ W/mK}$, $\mu_f = 3.545 \times 10^{-4} \text{ kg/ms}$

Substituting, $\bar{h} = 2874 \text{ W/m}^2 \text{ K}$

and $Re_\delta = 2923 \therefore$ flow is turbulent.

Using expression from problem 11.13

$$\dot{m} = 7.56585 \times 10^{-4} \left[\frac{x^3 \Delta T^3 k^3 \rho^2 g}{h_{fg}^3 \mu^{3.2}} \right]^{5/9}$$

Substituting $\dot{m} = 0.68 \text{ kg/sm}$, $q = \dot{m} h_{fg} = 1.535 \times 10^6 \text{ W/m}$

$$\bar{h} = 7673.4 \text{ W/m}^2 \text{ K}$$

Using expression from problem 11.14.

$$\bar{h} = 7.56585 \times 10^{-4} \left[\frac{x^{1.2} \Delta T^{1.2} k^3 \rho (\rho - \rho_v) g}{h_{fg}^{1.2} \mu^{3.2}} \right]^{5/9}$$

Substituting the values

$$\bar{h} = 7673 \text{ W/m}^2 \text{ K}$$

A very good agreement

$$Re_\delta = \frac{4 \times 0.68}{3.545 \times 10^{-4}} = 7673 \text{ flow is turbulent.}$$

(note that the previous value of Re is approximate)

If other conditions remain the same, determine the distance at which the film turns turbulent. ($Re_\delta = 1800$)

$$\dot{m} = \frac{1800 \times 5.545 \times 10^{-4}}{4} = 0.25 \text{ kg/ms,}$$

Substitute for m using 11.13 and solve for x , $x = 2.74 \text{ m}$.

Problem 11.22: Refrigerant 12 vapour condenses on a vertical plate. The vapour is at 40°C and the plate is at 20°C . Determine the value of convective heat transfer coefficient and the condensate rate for $1 \text{ m} \times 1 \text{ m}$ plate.

Solution : $T_f = 30^\circ\text{C}$, $k_f = 0.0709$, $\mu_f = 2.5123 \times 10^{-4} \text{ kg/ms}$
 at 40°C , $\rho = 1257 \text{ kg/m}^3$, $h_{fg} = 129.98 \times 10^3 \text{ J/kg}$,
 $\rho_v = 54.65 \text{ kg/m}^3$

Assuming laminar conditions

$$\begin{aligned} h &= 0.943 \left[\frac{\rho (\rho - \rho_v) g h_{fg} k_f^3}{L \mu_f (T_g - T_w)} \right]^{1/4} \\ &= 0.943 \left[\frac{1257 (1257 - 54.65) 9.81 \times 129.98 \times 10^3 \times (0.0709)^3}{1 \times 2.5123 \times 10^{-4} \times 20} \right]^{1/4} \\ &= 573.4 \text{ W/m}^2 \text{ K} \end{aligned}$$

$$q = 573.4 \times 1 \times 20 = 11467.8 \text{ W/m}^2$$

$$\mathbf{m} = q/h_{fg} = \mathbf{0.0882 \text{ kg/s}}$$
 or 317.62 kg/hr or 5.29 kg/min.

$$Re_\delta = \frac{4 m}{\mu} = \frac{4 \times 0.0882}{2.5123 \times 10^{-4}} = 1404 \therefore \text{laminar flow prevails.}$$

Problem 11.23: Chilled water pipe of 6.25 cm OD with outside surface at 5°C passes through an area where air is saturated at 35°C . Determine the condensate drip from the pipe per m length.

Solution : Here water vapour exists at the partial pressure at saturation at 35°C . $p = 0.05628$ bar.

$$h_{fg} = 2418.6 \text{ kJ/kg, } \rho_v = 0.04 \text{ kg/m}^3$$

The liquid properties at

$$T_f = 20^\circ\text{C} \text{ are } \rho = 1000 \text{ kg/m}^3,$$

$$k_f = 0.5978, \mu_f = 10.06 \times 10^{-4} \text{ kg/ms}$$

Using eqn. (11.27)

$$h = 0.725 \left[\frac{\rho (\rho - \rho_v) g h_{fg} k_f^3}{\mu_f d (T_g - T_w)} \right]^{1/4}$$

Substituting the values,

$$h = 5220 \text{ W/m}^2 \text{ K}$$

$$Q = \pi D \times 1 \times 5220 (35 - 5) = 30748 \text{ W}$$

$$\therefore \text{mass condensed} = Q/h_{fg} = 0.012713 \text{ kg/s}$$

about 45.77 kg/hr of condensate will flow per m length. The high value is because of the air being saturated.

Problem 11.24: Ammonia vapour at 35°C is to be condensed on the outside of horizontal tubes of OD 2.5 cm with a surface temperature of 25°C. A square array of 10 × 10 tubes of 1.2 m length are used. Determine the rate of condensation of ammonia.

Solution : The liquid properties at $T_f = 30^\circ\text{C}$ are

$$\rho = 596, \mu_f = 596 \times 0.35 \times 10^{-6} \text{ kg/ms}, k_f = 0.5071 \text{ W/mK}$$

The vapour properties at 35°C are

$$h_{fg} = 1123.46 \times 10^3 \text{ J/kg}, \rho_v = 1.042 \text{ kg/m}^3$$

Using equation (11.27) with $n = 10$,

$$\begin{aligned} h &= 0.725 \left[\frac{\rho (\rho - \rho_v) g h_{fg} k_f^3}{n D \mu_f \Delta T} \right]^{1/4} \\ &= 0.725 \left[\frac{596(596 - 1.042) 9.81 \times 1123.46 \times 10^3 \times 0.5071^3}{10 \times 0.025 \times 596 \times 0.35 \times 10^{-6} \times 10} \right]^{1/4} \\ &= 4053.6 \text{ W/m}^2 \text{ K} \\ Q &= 4053.6 \times \pi \times 100 \times 0.025 \times 1.2 \times 10 \text{ W} \\ &= 0.382 \times 10^6 \text{ W or } 382 \text{ kW.} \end{aligned}$$

$$\text{Ammonia condensed} = Q/h_{fg} = 0.34 \text{ kg/s. or } 1224.22 \text{ kg/hr.}$$

Problem 11.25: Refrigerant 12 is to be condensed at the rate of 10,000 kg/hr at 35°C using water at 25°C. The condenser uses a square array of 25 × 25 tubes of 12 mm OD, calculate the length of the tube bundle.

Solution : The tube surface is assumed to be at 25°C. Property values at

$$T_f = 30^\circ\text{C are } \rho = 1295, k_f = 0.0709 \text{ W/mK}$$

$$\mu_f = 1295 \times 0.194 \times 10^{-6} \text{ kg/ms}$$

The vapour properties at 35°C are $h_{fg} = 133.22 \times 10^3 \text{ J/kg}$

$$\rho_v = 48.08 \text{ kg/m}^3,$$

Using eqn. (11.27) with $n = 25$

$$h = 0.725 \left[\frac{\rho (\rho - \rho_v) g h_{fg} k_f^3}{n D \mu_f \Delta T} \right]^{1/4}$$

$$= 0.725 \left[\frac{1295 (1295 - 48.08) 9.81 \times 133.22 \times 10^3 \times 0.0709^3}{25 \times 0.012 \times 1295 \times 0.194 \times 10^{-6} \times 10} \right]^{1/4}$$

$$= 724.62 \text{ W/m}^2\text{K}$$

$$\mathbf{Q} = \frac{10000}{3600} \times 133.22 \times 10^3 = 724.62 \times 10 \times 25 \times 25 \times \pi \times 0.012 \text{ L}$$

$$\therefore \mathbf{L} = 2.17 \text{ m.}$$

Problem 11.26: Refrigerant 12 at 35°C is condensed inside a 12 mm ID tube with its surface at 25°C. Determine the convective heat transfer coefficient. Compare this value with that of condensation over the 12 mm OD pipe surface with other conditions remaining the same.

Solution : The property value are : $h_{fg} = 133.22 \times 10^3 \text{ J/kg}$

$$\rho_v = 48.08 \text{ kg/m}^3$$

$$\rho_1 = 1295 \text{ kg/m}^3, k_f = 0.0709 \text{ W/mK,}$$

$$\mu_f = 1295 \times 0.194 \times 10^{-6} \text{ kg/ms}$$

Using equation (11.34) (for condensation inside)

$$h_1 = 0.555 \left[\frac{\rho(\rho - \rho_v) g k^3 h_{fg}}{\mu_1 d (T_g - T_\infty)} \right]^{1/4}$$

Substituting the values

$$\mathbf{h_1 = 1240.4 \text{ W/m}^2 \text{ K}}$$

Using equation (11.27) for outside condensation

$$\mathbf{h_o = 1620.3 \text{ W/m}^2 \text{ K}}$$

The coefficient on the outside is larger by a factor of

$$\frac{0.725}{0.555} = \mathbf{1.306.}$$

Problem 11.27: In condensation situation compare, in the laminar region, the values of convective heat transfer coefficients when a pipe of diameter 6.25 cm and 1m length kept (i) vertical and (ii) horizontal.

Solution: For vertical position

$$\bar{h}_v = 0.943 \left[\frac{\rho(\rho - \rho_v) g k^3 h_{fg}}{L \mu (T_g - T_\infty)} \right]^{1/4} \quad \dots(\text{A})$$

For horizontal position

$$\bar{h}_h = 0.725 \left[\frac{\rho(\rho - \rho_v) g k^3 h_{fg}}{D \mu (T_g - T_\infty)} \right]^{1/4} \quad \dots(\text{B})$$

Dividing eqn. (B) by eqn. (A)

$$\frac{\mathbf{h_h}}{\mathbf{h_v}} = \frac{0.725}{0.943} \times \left(\frac{L}{D} \right)^{0.25} = \mathbf{1.538}$$

horizontal positioning in this case provides 53.8%, more heat transfer. Condensers are thus generally of horizontal type. This is because of larger film thickness as length increases. In case of shorter lengths, the advantage will be less.

Problem 11.28: *A slab of ice is placed in a wooden box. The ice is at 0°C. The outside air is at 35° and the convection coefficient over the surface is 25 W/m²K. Determine the thickness melted during 10 min, 60 min and 120 min.*

Solution : Assume that the water layer is not removed. The property values are $h_{sf} = 333700$ J/kg, $k_1 = 0.60$, $\rho_s = 920$ kg/m³.

Using equation (11.40) and (11.38)

$$\tau^* = x^* + 0.5 x^{*2}$$

$$x^* = \frac{x h_\infty}{k_1}, \quad \tau^* = \left[\frac{h_\infty^2 (T_\infty - T_{fr})}{k_1 \rho_s h_{sf}} \right] \tau$$

$$\text{For 10 minutes : } \tau^* = \left[\frac{25^2 \times 35}{0.60 \times 920 \times 333700} \right] \times 600 = 0.071253$$

$$0.5 x^{*2} + x^* - 0.071253 = 0$$

Using $x = \frac{-b \pm \sqrt{b^2 - 4ac}}{2a}$ form of solution for quadratic equation.

$$x^* = \frac{-1 \pm \sqrt{1 + 4 \times 0.5 \times 0.071253}}{1}, \text{ taking the + ve value}$$

$$\therefore x^* = 0.06888$$

$$\therefore x = \frac{x^* k_L}{h_\infty} = \frac{0.06888 \times 0.60}{25} = 1.653 \times 10^{-3} \text{ m or } \mathbf{1.653 \text{ mm.}}$$

$$\text{After 60 min. } \tau^* = 0.42752$$

$$\therefore x^* = 0.362 \quad \therefore x = \mathbf{8.69 \times 10^{-3} \text{ m or } 8.69 \text{ mm}}$$

$$\text{After 120 min. } \tau^* = 0.855$$

$$\therefore x^* = 0.6462 \quad \therefore x = \mathbf{15.51 \text{ mm}}$$

With time the rate of freezing decreases, due to increasing resistance for heat conduction.

Problem 11.29: *Water at 0°C in a lake surface is suddenly exposed to air at -30°C with a convection coefficient of 25 W/m²K. Determine the depth of freezing after 10 min, 60 min and 120 min.*

Solution : $h_{sf} = 333700$ J/kg $k_s = 2.22$ W/mK $\rho_s = 920$ kg/m³

Using equation (11.40)

$$\tau^* = x^* + 0.5 x^{*2} \text{ where } x^* = \frac{x h_\infty}{k_s}$$

and

$$\tau^* = \left[\frac{h_\infty^2 (T_{fr} - T_\infty)}{k_s \rho_s h_{sf}} \right] \tau$$

For 10 min

$$\tau^* = \frac{25^2 \times 35}{2.22 \times 920 \times 333700} 60 \times 10 = 0.01926$$

$$x^* = -1 \pm \sqrt{1 + 4 \times 0.5 \times 0.01926} = 0.0191$$

\therefore **$x = 1.694 \times 10^{-3}$ or **1.694 mm**** (melting 1.653 mm)

For 60 min $\tau^* = 0.1155$

$$x^* = 0.10955$$

$$x = 9.73 \times 10^{-3} \text{ or } \mathbf{9.73 \text{ mm}}$$
 (melting 8.69 mm)

For 120 min $\tau^* = 0.2311$

$$x^* = 0.2092$$

$$x = 0.0186 \text{ m or } \mathbf{18.6 \text{ mm}}$$
 (melting 15.51 mm)

The increase in freezing thickness is because of the higher conductivity of the ice as compared to that of water.

Problem 11.30: Ice candy is frozen in cylindrical moulds of 16 mm dia with a wooden core of 4 mm dia. The water is at its freezing temperature of 0°C . The outside surface of the thin container is exposed to -35°C with a convection coefficient of $25 \text{ W/m}^2\text{K}$. Determine the time for complete freezing.

Solution: $\rho_s = 920 \text{ kg/m}^3$, $h_{sf} = 333700 \text{ J/kg}$, $k_s = 2.22 \text{ W/mK}$

Using equation (11.46)

$$\tau^* = 0.5r^{*2} \ln r^* + \left(\frac{1}{2R^*} + 0.25 \right) (1 - r^{*2}) \quad \dots(\text{A})$$

as the radius upto which freezing is to be done is 2 mm (core)

$$r^* = R/R_o = \frac{2}{8} = \frac{1}{4} = 0.25$$

$$R^* = h_\infty R_o / k_s = 25 \times 0.008 / 2.22 = 0.09009$$

Also
$$\tau^* = \frac{(T_{fr} - T_\infty) k_s}{\rho_s h_{sf} R_o^2} \cdot \tau \quad (\text{eqn. 11.45}) \quad \dots(\text{B})$$

From (A),
$$\tau^* = 0.5 (0.25)^2 \ln (0.25) + \left(\frac{1}{2 \times 0.09009} + 0.25 \right) (1 - 0.25^2) = 5.3942$$

From (B),
$$\tau = \frac{5.3942 \times 920 \times 333700 \times 0.008^2}{2.22 \times 35} = \mathbf{1364 \text{ s or } 22.73 \text{ min.}}$$

Problem 11.31: Ice is made in a hollow cylindrical shape by immersing a thin cylinder in a large tank of water. The outer radius is 16 mm. The water is at 0°C . Cold fluid at -35° is circulated inside the thin cylinder with $h = 50 \text{ W/m}^2\text{K}$.

Determine the time needed for ice to form upto a radius or 24 mm (property values taken from 11.30).

Solution: The equation applicable is (11.47).

$$\tau^* = 0.5 r^{*2} \ln r^* + \left(\frac{1}{2R^*} - 0.25 \right) (r^{*2} - 1)$$

As freezing is to be done upto $R = 24$ mm,

$$r^* = R/R_o = \frac{24}{16} = 1.5$$

$$R^* = h_\infty R_o / k_s = 25 \times 0.016 / 2.22 = 0.18018$$

$$\tau^* = \frac{(T_{fr} - T_\infty) \tau}{\rho_s h_{sf} R_o^2} = \frac{35 \times 2.22}{920 \times 333700 \times 0.016^2} \tau = 9.886 \times 10^{-4} \times \tau \quad \dots(A)$$

$$\begin{aligned} \text{Also} \quad \tau^* &= 0.5 \times 1.5^2 \ln(1.5) + \left(\frac{1}{2 \times 0.18018} - 0.25 \right) (1.5^2 - 1) \quad \dots(B) \\ &= 3.6124 \end{aligned}$$

Solving between (A) and (B)

$$\therefore \quad \tau = 3654 \text{ s} = 60.90 \text{ minutes.}$$

Problem 11.32 : Water at 10°C in a pan is to be frozen by convection over the surface at -20°C . The convection coefficient at the ice water surface is $20 \text{ W/m}^2\text{K}$. Determine the time needed to freeze 2 cm layer. $h = 80 \text{ W/m}^2\text{K}$ at the surface.

Solution: The equation applicable is (11.44)

$$\tau^* = \left(\frac{1}{H^* T^*} \right)^2 \ln \left[\frac{1 - H^* T^*}{1 - H^* T^* (1 + x^*)} \right] - \frac{x^*}{H^* T^*}$$

$$x^* = \frac{x h_\infty}{k_s} = \frac{0.02 \times 80}{2.22} = 0.7207$$

$$H^* = \frac{h_1}{h_\infty} = \frac{20}{80} = 0.25$$

$$t^* = \frac{T_L - T_{fr}}{T_{fr} - T_\infty} = \frac{10}{20} = 0.5$$

$$\tau^* = \frac{h_\infty^2 (T_{fr} - T_\infty)}{k_s \rho_s h_{sf}} \tau = 1.8781 \times 10^4 \tau \quad \dots(A)$$

Substituting in eqn. (11.44)

$$\begin{aligned} \tau^* &= \left(\frac{1}{0.25 \times 0.5} \right)^2 \cdot \ln \left[\frac{1 - 0.25 \times 0.5}{1 - 0.25 \times 0.5 (1 + 0.7207)} \right] - \frac{0.7207}{0.25 \times 0.5} \quad \dots(B) \\ &= 1.1881 \end{aligned}$$

Using (A) and (B)

$$\therefore \quad \tau = 6326 = 105.44 \text{ min.}$$

Problem 11.33: Determine the time needed to freeze (frost bite) a layer of 1mm thickness of skin exposed to wind at -20°C with a convection coefficient of $50\text{ W/m}^2\text{K}$. Assume properties of water and the temp. of the skin as 35°C to start with. The convection coefficient at the interface is $25\text{ W/m}^2\text{K}$.

Solution: Eqn. (11.44) is applicable.

$$\tau^* = \left(\frac{1}{H^* T^*} \right)^2 \ln \left[\frac{1 - H^* T^*}{1 - H^* T^* (1 + x^*)} \right] - \frac{x^*}{H^* T^*}$$

$$x^* = x \times h_{\infty} / k_s = 0.001 \times 50 / 2.22 = 0.02252252$$

$$H^* = \frac{h_1}{h_{\infty}} = \frac{25}{50} = 0.5$$

$$T^* = \frac{T_L - T_{fr}}{T_{fr} - T_{\infty}} = \frac{35}{20} = 1.75$$

$$\tau^* = \frac{h_{\infty}^2 (T_{fr} - T_{\infty})}{k_s \rho_s h_{sf}} \tau = 7.33623 \times 10^{-5} \tau \quad \dots(\text{A})$$

Substituting

$$\tau^* = \left(\frac{1}{0.5 \times 1.75} \right)^2 \ln \left[\frac{1 - 0.5 \times 1.75}{1 - 0.5 \times 1.75 (1 + 0.02252)} \right] - \frac{0.02252}{0.5 \times 1.75} \quad \dots(\text{B})$$

$$= 0.19835$$

Using (A) and (B), $\therefore \tau = 2704\text{ s} = 45\text{ min.}$

Frost bite may start after 45 min.

OBJECTIVE QUESTIONS

Choose the correct statement in each of the following sets:

- 11.1 With increase in excess temperature the heat flux in boiling
 (a) increases continuously
 (b) decreases and then increases
 (c) increases then decreases and again increases
 (d) decreases then increases and again decreases.
- 11.2 The heat flux in nucleate pool boiling is proportional to (where h_{fg} is enthalphy of evaporation)
 (a) h_{fg} (b) $1/h_{fg}$ (c) f_{fg}^2 (d) $1/h_{fg}^2$.
- 11.3 The heat flux in nucleate pool boiling is proportional to
 (where σ is surface tension)
 (a) σ (b) $\sigma^{0.5}$ (c) $\sigma^{-0.5}$ (d) σ^2 .
- 11.4 The critical heat flux in nucleate pool boiling is proportional to (where ρ_v is the density of vapour)
 (a) ρ_v (b) ρ_v^2 (c) $\rho_v^{0.5}$ (d) $\rho_v^{1/3}$.

- 11.5 The critical heat flux in nucleate pool boiling is proportional to (where h_{fg} is the enthalpy of evaporation)
- (a) h_{fg} (b) $h_{fg}^{0.5}$ (c) h_{fg}^2 (d) $h_{fg}^{1/3}$.
- 11.6 The critical heat flux in nucleate pool boiling is proportional to (where σ is the surface tension)
- (a) σ (b) $\sigma^{0.5}$ (c) $\sigma^{1/3}$ (d) $\sigma^{1/4}$.
- 11.7 The critical heat flux in nucleate pool boiling is proportional to (where ρ_l is the density of liquid)
- (a) ρ_l^2 (b) $\rho_l^{0.25}$ (c) $\rho_l^{0.5}$ (d) $\rho_l^{1/3}$.
- 11.8 In nucleate pool boiling the heat flux depends on
- (a) only the material of the surface
 (b) material and roughness of the surface
 (c) independent of surface
 (d) fluid and material and surface roughness.
- 11.9 In nucleate pool boiling the heat flux is proportional to (ΔT is the excess temperature)
- (a) ΔT^3 (b) ΔT (c) ΔT^2 (d) $\Delta T^{0.5}$.
- 11.10 In nucleate pool boiling the heat flux for boiling of water is proportional to (μ_1 is the viscosity of liquid)
- (a) μ_1^{-2} (b) μ_1 (c) $\mu_1^{0.5}$ (d) μ_1^2 .
- 11.11 In nucleate pool boiling of liquids other than water the heat flux varies as (when μ_1 is the viscosity of liquid)
- (a) $\mu_1^{5.1}$ (b) $\mu_1^{-4.1}$ (c) μ_1^2 (d) μ_1^{-2} .
- 11.12 In nucleate film boiling of water the heat flux varies as (where k is the vapour thermal conductivity)
- (a) $k^{0.33}$ (b) $k^{0.75}$ (c) k^2 (d) $k^{5.1}$.
- 11.13 In nucleate pool boiling of liquids other than water the heat flux varies as
- (a) $Pr^{-5.1}$ (b) $Pr^{3.1}$ (c) Pr^3 (d) $Pr^{0.5}$.
- 11.14 In nucleate pool boiling the convective heat transfer coefficient varies as (where ΔT is excess temperature)
- (a) ΔT^2 (b) ΔT^3 (c) $\Delta T^{2.5}$ (d) $\Delta T^{0.5}$.
- 11.15 In film boiling the properties that contribute to the value of convection coefficient are
- (a) $h_{fg} \mu_1 \cdot \rho_1$ and ΔT
 (b) $h_{fg} \mu_v, k_v$ and ρ_1
 (c) h_{fg}, k_v, μ_1 and ΔT
 (d) h_{fg}, k_1, μ_v and ΔT .
- 11.16 The heat flux in nucleate pool boiling will be higher for
- (a) horizontal plane (b) vertical plane
 (c) horizontal cylinder (d) independent of location.
- 11.17 In condensing under same conditions, the convection coefficient will be lowest for
- (a) vertical plate (b) vertical pipe
 (c) horizontal pipe (d) row of vertical pipes.
- 11.18 In condensation over a vertical surface, the value of convection coefficient varies as (k —conductivity of liquid)
- (a) k^3 (b) $k^{0.75}$ (c) $k^{0.25}$ (d) $k^{0.33}$.
- 11.19 The heat transfer rate in laminar film condensation varies as (where $\Delta T = T_g - T_w$)
- (a) ΔT (b) $\Delta T^{0.75}$ (c) $\Delta T^{0.25}$ (d) $\Delta T^{-0.25}$.
- 11.20 The convective heat transfer coefficient in laminar film condensation varies as (ρ —density of liquid)
- (a) ρ (b) $\rho^{0.5}$ (c) $\rho^{-0.5}$ (d) ρ^2 .

- 11.21 In laminar film condensation, the average convection coefficient varies as (where μ is the dynamic viscosity of liquid).
 (a) μ^{-1} (b) $\mu^{-0.5}$ (c) $\mu^{0.25}$ (d) $\mu^{-0.25}$.
- 11.22 In laminar film condensation the convection coefficient varies as (where L is the height of plate)
 (a) L^{-1} (b) $L^{-0.5}$ (c) L (d) $L^{-0.25}$.
- 11.23 In laminar film condensation the convection coefficient varies as (h_{fg} is the enthalpy of evaporation).
 (a) h_{fg} (b) $h_{fg}^{0.5}$ (c) $h_{fg}^{1/3}$ (d) $h_{fg}^{0.25}$.

EXERCISE PROBLEMS

- 11.1 Determine the maximum heat flux and the heat flux at an excess temperature of 8°C for water at pressure corresponding to (i) 50°C (ii) 100°C (iii) 180°C (iv) 310°C . In all cases assume a surface coefficient of 0.013 and pool boiling in the nucleate regime. Comment on the results.
- 11.2 Determine for the cases in 11.1 the minimum heat flux in the film boiling regime.
- 11.3 Determine the heat flux in boiling of water at a pressure corresponding to a saturation temperature of 310°C under film boiling regime if the excess temperature is (i) 1000°C (ii) 2000°C . Assume boiling to take place over a flat surface.
- 11.4 Smoke tubes of 6.25 cm *OD* are used in a boiler. Steam is generated at 170°C . The tube surface is at 178°C . There are 100 tubes of length 3 m each. Estimate the rate of possible steam production at saturated conditions. Assume pool boiling conditions and $C_{sf} = 0.013$.
- 11.5 Ammonia liquid evaporates in a flooded type of evaporator at -10°C over tube surfaces immersed in the liquid. Brine at 0°C is circulated through the inside of the tubes and the tube surface is maintained at 0°C . The tube outside dia is 25 mm. 40 tubes of 1 m length are used. Determine the evaporation rate of ammonia. Assume $\sigma = 28 \times 10^{-3} \text{ N/m}$, $h_{fg} = 1296.5 \text{ kJ/kg}$. $C_{sf} = 0.013$.
- 11.6 Boiling heat flux with water over a surface is measured under certain conditions. It is desired to estimate the heat flux for boiling of water at a higher pressure at which $\mu_2 = 0.8 \mu_1$, $h_{fg2} = 0.8 h_{fg1}$, $\sigma_2 = 0.6 \sigma_1$, $P_{r2} = 0.6 P_{r1}$. There is no significant change in density and specific heat and excess temperature. Determine the % change in the heat flux.
- 11.7 The maximum heat flux for boiling a liquid was measured under certain conditions. Estimate the critical heat flux for boiling under similar conditions but at a different saturation temperature. The following are the significant changes in property value $\sigma_2 = 0.7 \sigma_1$, $h_{fg2} = 0.9 h_{fg1}$, $\rho_{v1} = 2\rho_{v2}$.
- 11.8 An electrical heater rod of 10 mm dia is immersed in water at atmospheric pressure. The surface temperature reached is 600°C . If the emissivity of the surface is 0.5, estimate the electrical power input.
- 11.9 Estimate the convection coefficient for steam at 40°C saturation conditions condensing on a vertical surface maintained at 30°C . The plate is 1.5 m high. Also find the film thickness at 1 m and 1.5 m from the top edge.
- 11.10 Determine the value of convection coefficient for steam at 40°C saturation conditions condensing on a flat surface maintained at 30°C . If the surface is inclined at 4° to the vertical. The plate is 1.5 m high.
- 11.11 Determine the value of convection coefficient for condensing steam at 40°C saturation conditions over the outside surface of a vertical tube of 6.25 cm *OD* maintained at 30°C . The tube is 1.5 m high. Also determine the film thickness at 1 m and 1.5 m from top.
- 11.12 Determine the value of convection coefficient for condensing of steam over the outside surface of horizontal tubes of 6.25 cm *OD* with surface temperature maintained at 30°C . Steam temperature is 40°C . Compare the value with that of a vertical surface of 62.5 cm height.

- 11.13** Determine the value of convection coefficient for steam condensing inside of horizontal pipe of 6 cm *ID* with surface maintained at 30°C. The steam is at 40°C and flows at low velocity.
- 11.14** Repeat problems 11.9 to 11.14 for ammonia condensing at the same temperature and geometric configurations.
- 11.15** Repeat problems 11.9 to 11.14 for Refrigerant 12 (C Cl₂F₂) condensing at the same temperature and geometric configurations.
- 11.16** Determine for a vertical surface the distance at which the condensate film flow will turn turbulent for steam condensing at 100°C with surface maintained at 40°C. Estimate the value of average convection coefficient for that distance using correlations for turbulent flow. Compare the value with that for laminar flow.
- 11.17** It is found that the condensate formed over the surface of a tube of 25 cm *OD* is the same whether it is kept vertical or horizontal. Determine the length of the tube [**Ans.** 71 cm]
- 11.18** A condensation experiment for steam on a vertical surface was conducted and the convection coefficient was determined. If the same test set up was used for condensation at a different conditions where $(\mu_2/\mu_1) = 0.43$ and $\rho_2/\rho_1 = 0.966$ and $(k_2/k_1) = 1.083$ and $h_{fg2}/h_{fg1} = 0.937$, determine the temperature difference to be maintained to obtain the same value of convection coefficient.
- 11.19** A small steam condenser with horizontal tubes of 6.25 cm *OD* and 6 rows deep with 36 tubes of 1.2 m length condensing steam at 40°C using water at 30°C is proposed to be used to condense ammonia at 50°C with water at 30°C. Assuming material and other compatibilities determine the % change in heat rate.
- 11.20** Chilled water pipe at 10°C passes through air space where partial pressure of water vapour is 0.04246 bar. The pipe diameter is 0.15 m. Determine the condensate drip per *m* length of tube per hour.
- 11.21** Food preparation in the form of horizontal cylinder of 5 cm dia is to be heated by condensation of steam over its surface. Compare the heating rates when the surface is at 40°C for steam temperature of 100°C and 120°C.
- 11.22** Compare the heat transfer rate for ammonia when condensing at 40°C with tube surface at 30°C on (i) inside of tube (ii) outside the tube. The tube is thin and the diameter is 2.5 cm and placed in horizontal position. The vapour flow velocity is small.
- 11.23** A glass tumbler of *OD* 6.5 cm and 12 cm high with ice floating in the liquid inside is kept on a table in a room where the dewpoint temperature is 25°C. Determine the rate of condensate formation on the surface. Assume filmwise condensation. Neglect end effects.
- 11.24** Compare the values of convective heat transfer coefficients for (i) condensation of steam over a horizontal cylinder of 6.25 cm dia at 100°C. The steam is at 110°C and (ii) for flow of steam at 110°C over the cylinder at a velocity of 15 m/s.
- 11.25** At the onset of summer, the air temperature over a large sheet of ice rises to 10°C and the convective heat transfer coefficient due to air flow over the surface is 18 W/m² K. Assuming there is no run off of water. Determine the time taken for melting 4 mm layer of ice at 0°C. Also determine the thickness melted over a period of 6 hours.
- 11.26** If in the problem 11.25, the direct solar radiation has effect equal to an increase in the convection coefficient by 60 W/m² K (the total being 78 W/m² K) determine the increase in the depth melted over a period of 1 hr under this conditions.
- 11.27** Lake water at 4°C is exposed to chill winds at -16°C. Determine the depth of formation of ice after 12 hours. Convection coefficient = 60 W/m² K, *h* at interface = 15 W/m² K.
- 11.28** It is desired to freeze 1 cm dia long cylindrical ice pieces in thin metallic moulds. The water is at 0°C
- The outside is exposed to convection coefficient of 40 W/m² K. Determine the time required for (i) 2.5 mm thickness of ice to form and (ii) for complete freezing. The freezing medium is at -20°C.

- 11.29** A long hollow cylindrical piece of ice of *ID* 6 cm and *OD* 10 cm is to be made from water at 0°C . The convection coefficient for the freezing medium at -20°C is $40\text{ W/m}^2\text{ K}$. Determine the time for forming the ice piece with (i) internal mould and (ii) external mould.

Answers to Objective Questions:

- | | | | | | |
|---------|---------|---------|---------|----------|---------|
| 1. (c) | 2. (d) | 3. (c) | 4. (c) | 5. (a) | 6. (d) |
| 7. (b) | 8. (d) | 9. (a) | 10. (a) | 11. (b) | 12. (b) |
| 13. (a) | 14. (a) | 15. (b) | 16. (d) | 17. (d) | 18. (b) |
| 19. (b) | 20. (b) | 21. (d) | 22. (d) | 23. (d). | |

12

HEAT EXCHANGERS

12.0 INTRODUCTION

In many industrial applications heat has to be transferred from one flowing fluid to another through a solid barrier separating these fluids. The equipments used for this purpose are called Heat Exchangers. The application of convection studies is mainly in the field of design of heat exchangers. The basic design procedures and analysis of performance of heat exchangers are discussed in this chapter. The various correlations discussed in chapters 8, 9, 10 and 11 are used in this chapter to determine convection coefficients.

12.1 OVER ALL HEAT TRANSFER COEFFICIENT

It is desirable and convenient to combine the various thermal resistances that are encountered in the heat transfer from one fluid to another in a heat exchanger. Such a combination is achieved by using the heat transfer equation as in 12.1

$$Q = UA (\Delta T) \quad \dots(12.1)$$

Where Q is the heat flow rate in W , A is the heat flow area and ΔT is the temperature difference between the fluids.

The quantity U which equals the combined effects of all the resistances is called overall heat transfer coefficient. The unit for overall heat transfer coefficient is the same as the unit for convective heat transfer coefficient ($W/m^2 K$).

12.1.1. The thermal resistances encountered in heat transfer from one fluid to another are shown in Fig. 12.1.

The resistances are:

- (i) Convection resistance on the inner surface of the tube for heat flow from fluid to wall. ($1/h_i A_i$)
- (ii) The resistance due to deposits that will form during operation on the inside of the tube called inside fouling resistance- R_{fi} .
- (iii) The resistance due to heat conduction through the solid wall separating the fluids.
- (iv) The resistance due to deposits that will form during operation on the outside of the tube called outside fouling resistance- R_{fo} .
- (v) Convection resistance on the outer surface for heat flow from wall to the fluid ($1/h_o A_o$).

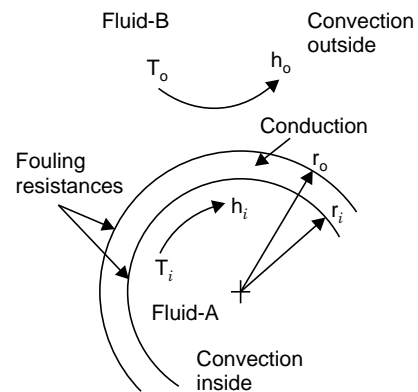


Fig. 12.1 Thermal resistances across heat exchanger surface.

The area on the inside will be equal to the area on the outside in the case of flat surfaces. These are not as popularly used in heat exchangers as flow through tubes. **In tube flow the inside area will be different from the outside area. So two values are possible for the area and consequently two values are possible for the overall heat transfer coefficient. These are:**

U_i —overall heat transfer coefficient based on inside area

U_o —overall heat transfer coefficient based on outside area.

The relationship between these two is given by:

$$U_i A_i = U_o A_o$$

This can be proved by application of equation (12.1) to any situation as $Q = U_i A_i \Delta T = U_o A_o \Delta T$. In the case of plane wall $U_i = U_o$

It is easier to consider the resistances (K/W) rather than conductances (W/K) in arriving at the expression for overall heat transfer coefficient.

The total resistances is given by $\frac{1}{A_o U_o}$ or $\frac{1}{A_i U_i}$, $\frac{K}{W}$

depending upon which from is considered. The convection resistances are given by $(1/hA)$. Considering flow through pipes, the conduction resistance R_k (K/W) is given by $\ln(r_o/r_i)/2\pi kL$, where L is the length of the pipe. The resistances due to deposits are called fouling resistances, R_f . The values of fouling resistances have to be obtained from tabulated values of measurements with actual equipments. The unit used is Km^2/W .

Fouling resistance for some cases is given in table 12.1

For a given area A , the resistance is equal to R_f/A (K/W). Hence

$$\frac{1}{U_i A_i} = \frac{1}{U_o A_o} = \frac{1}{h_o A_o} + \frac{R_{fo}}{A_o} + R_k + \frac{R_{fi}}{A_i} + \frac{1}{h_i A_i}$$

$$\therefore \frac{1}{U_o} = \frac{1}{h_o} + R_{fo} + \frac{A_o}{A_i} R_k + \frac{A_o}{A_i} R_{fi} + \frac{A_o}{A_i} \cdot \frac{1}{h_i} \quad \dots(12.2)$$

$$\text{For pipes} \quad \frac{1}{U_o} = \frac{1}{h_o} + R_{fo} + \frac{r_o}{k} \ln\left(\frac{r_o}{r_i}\right) + \frac{r_o}{r_i} R_{fi} + \frac{r_o}{r_i} \cdot \frac{1}{h_i} \quad \dots(12.2 (a))$$

$$\text{also} \quad \frac{1}{U_i} = \frac{A_i}{A_o} \cdot \frac{1}{h_o} + \frac{A_i}{A_o} \cdot R_{fo} + A_i R_k + R_{fi} + \frac{1}{h_i} \quad \dots(12.3)$$

$$\text{For pipes} \quad \frac{1}{U_i} = \frac{r_i}{r_o} \cdot \frac{1}{h_o} + \frac{r_i}{r_o} R_{fo} + \frac{r_i}{k} \ln\left(\frac{r_o}{r_i}\right) + R_{fi} + \frac{1}{h_i} \quad \dots(12.3 (a))$$

The equations (12.2) and (12.3) are basic to heat transfer calculations in heat exchangers. For (12.2 (a)) and (12.3 (a)) r_o and r_i are based on the *OD* and *ID* of the pipe.

In practical situations the fouling factor is determined by measurement of heat transfer value for clean surface and surface with deposit.

$$R_f = \frac{1}{U_f} - \frac{1}{U_c}$$

where U_f is overall heat transfer coefficient for surface after the deposits have formed due to usage and U_c is for clean surface.

In actual applications only one of these resistances will be controlling the situation and it will be desirable to improve that value. **Conduction resistances will be often negligibly small** and may be overlooked for first estimates. The estimation of values of 'h' has been discussed in chapters 8, 9, 10 and 11. It is necessary to use these correlations in this chapter also. In the initial discussions however 'h' value will be specified.

Table 12.1. Fouling resistance R_f

Type of fluid	Fouling resistance Km^2/W
Sea water below 52°C	0.0000877
Sea water above 52°C	0.0001754
Treated boiler feed water above 52°C	0.0001754
Fuel oil	0.000877
Quenching oil	0.0007051
Alcohol vapours	0.0000877
Steam, non oil bearing	0.0000877
Industrial oil	0.0003525
Refrigerant	0.0001754

Example 12.1: In a condenser steam flows outside the tubes of radii 59 mm and 54 mm and sea water flows inside the tubes. The thermal conductivity of the tube material is 60 W/mK. The steam and water temperatures are below 50°C. The convection coefficient on the steam side is 12000 W/m² K and the value on the water side is 650 W/m² K.

Calculate the values of overall coefficients based on the (i) inside and (ii) outside areas.

Also determine the percentage error involved in neglecting (i) conduction resistance (ii) fouling on the inside and outside and conduction and (iii) considering only the water side resistance.

Solution: From tabulated values the fouling factors are read as

(i) sea water below 52°C 0.0000877 Km^2/W

(ii) steam 0.0000877 Km^2/W

$$\text{Using eqn. (12.2 (a)) } \frac{1}{U_o} = \frac{1}{12,000} + 0.0000877 + \frac{0.059 \ln (59/54)}{60} + \frac{0.059}{0.054} \cdot 0.0000877 + \frac{0.059}{0.054} \cdot \frac{1}{650}$$

$$\frac{1}{U_o} = 8.333 \times 10^{-5} + 8.77 \times 10^{-5} + 8.708 \times 10^{-5} + 9.582 \times 10^{-5} + 1.681 \times 10^{-3}$$

$$U_o = 491.44 \text{ W/m}^2 \text{ K.}$$

In this case it may be noted that all the resistances other than that due to inside convection coefficient are 2 orders of magnitude lower.

Leaving conduction resistance:

$$U_o = 513.40 \text{ W/m}^2 \text{ K} \quad \% \text{ change: } 4.47\%$$

Leaving out fouling and conduction resistances

$$U_o = 566.8 \text{ W/m}^2 \text{ K} \quad \% \text{ change: } 15.4\%$$

Considering only water side resistance,

$$U_o = 594.88 \text{ W/m}^2 \text{ K} \quad \% \text{ change: } 21\%$$

In this case the waterside resistance is controlling, as it forms 80% of the total.

Overall heat transfer coefficient based on inside area:

$$U_o A_o = U_i A_i; U_o 2\pi r_o L = U_i 2\pi r_i L$$

$$\therefore U_i = U_o \frac{r_o}{r_i} = 536.94 \text{ W/m}^2 \text{ K}$$

The value is higher in proportion to the area ratio.

12.2 CLASSIFICATION OF HEAT EXCHANGERS

Functionally Heat Transfer Equipments can be Divided as

- (i) **Recuperative type:** This is the commonly used type, the heat being exchanged between fluids separated by a barrier.
- (ii) **Regenerative or storage type:** In this case some material is heated by a hot fluid. Then the hot fluid flow is stopped. Cold fluid now flows over the hot solid and gets heated. This type is used for air heating in steam plants. This type is also used in solar heating of homes.
- (iii) **Direct mixing type:** In this case the fluids mix and reach a common temperature. This type is rarely used.

12.2.1. Types of heat exchangers: The heat transfer surface in heat exchangers can be arranged in several forms. Some of the important arrangements are listed below. These arrangements are schematically shown in Fig. 12.2.

1. Single tube arrangement in which one fluid flows inside the tube and the other fluid flows on the outside. There are three possible directions of fluid flow in this case. **(a) parallel flow**, in which the direction of flow of both fluids is the same. **(b) counter flow** in which the flow directions are opposite to each other **(c) cross flow** in which the fluid on the outside flows in a perpendicular direction to the pipe axis. These are shown in Fig. 12.2 (a), (b) and (c).

The analysis is simpler in the case of single tube heat exchanger and the results obtained for this type is applied with corrective factors to other types.

2. Shell and tube arrangement: Single tube arrangement is suitable only for very small capacities. So the single tube type is not extensively used in industry. Shell and tube type is the most popular arrangement. A number of small bore pipes are fitted between two tube plates and one fluid flows through these tubes. The tube bundle is placed inside a shell and the other fluid flows through the shell and over the surface of the tubes. Compact arrangement is possible with this type.

The sub types of shell and tube arrangement are (a) One shell pass and 2, 4 or multiple tube passes. The end chambers adjacent tube plates are provided with partitions in such a way that the fluid flowing inside the tubes takes several turns within the shell.

(b) Two shell passes and 4, 8 or multiple tube passes. Here two shells are used in series and the tubes are arranged for multiple passes. These arrangements are shown in Figs. 12.2 (d), (e), (f).

3. Cross flow heat exchanger: This arrangement is popular with heat exchangers using air or gas. Plate type as well as tube and plate types are used. The sub type here are (a) both fluids unmixed and (b) one fluid mixed and the other unmixed.

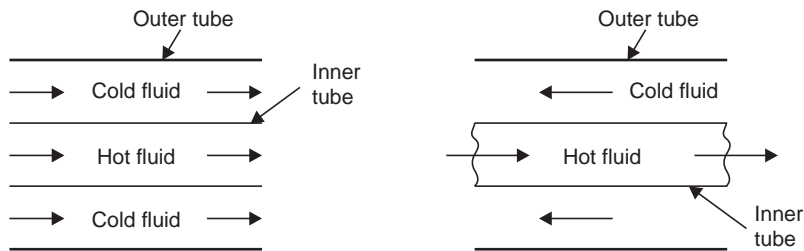


Fig. 12.2 (a) Single tube-parallel flow. (b) Single tube-counter flow.

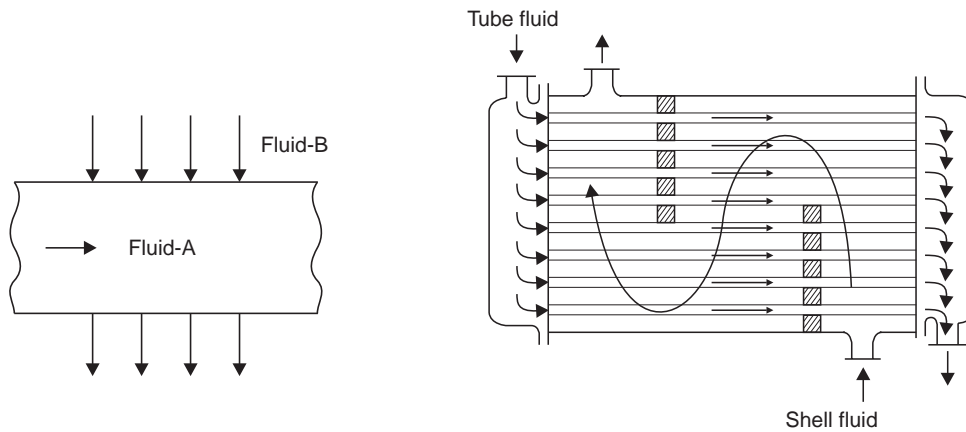


Fig. 12.2 (c) Single tube-cross flow. (d) Shell and tube

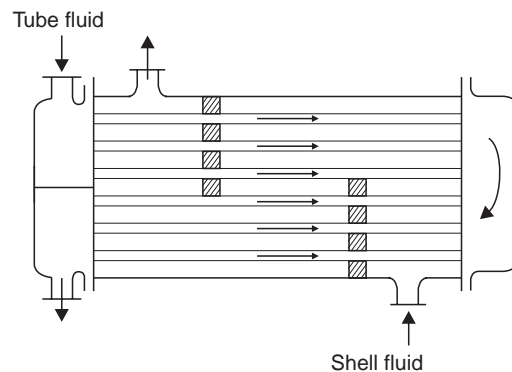


Fig. 12.2 (e) Single shell pass, two tube passes.

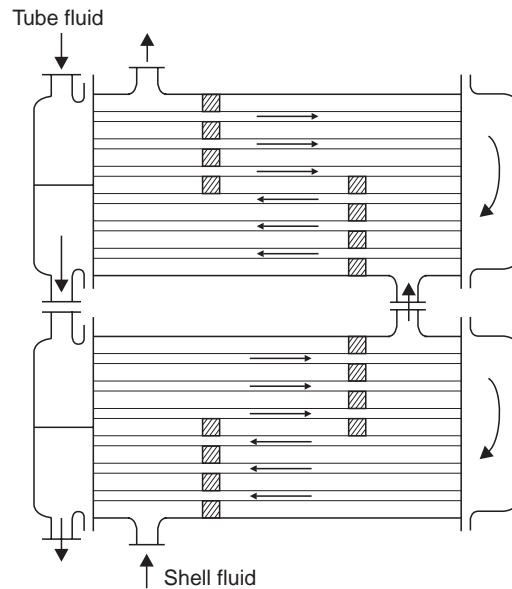


Fig. 12.2. (f) Two shell passes and multiple tube passes.

These are shown in Figs. 12.2 (g) and (h). When the fluid flows through divided passages without mixing it is called unmixed. For example fluid flowing through pipes in a bank of tubes is said to be unmixed. Along the flow path the fluid in one pipe does not mix with the fluid in the other. Fluid flowing without restriction over a bank of tubes is said to be mixed.

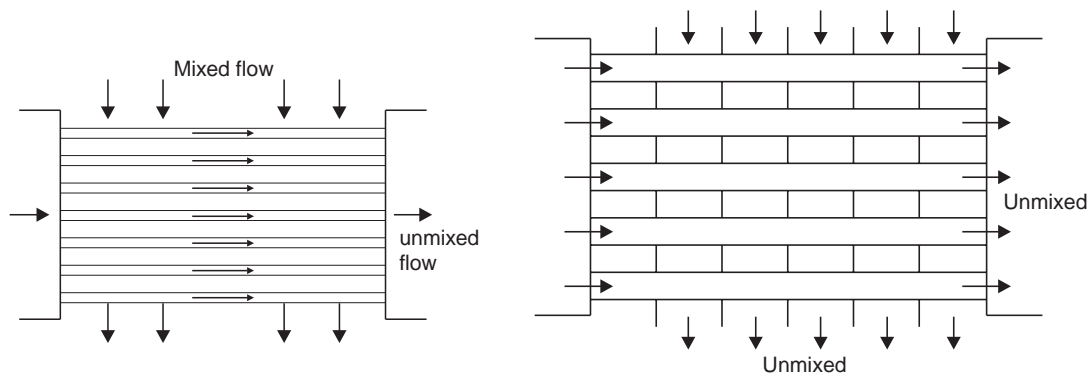


Fig. 12.2. (g) Cross flow—One fluid unmixed. Fig. 12.2. (h) Cross flow—Both fluids unmixed.

These are the basic types which are found to be amenable for direct analysis. There exist many other types of peculiar designs, which are not listed here.

12.3 MEAN TEMPERATURE DIFFERENCE-LOG MEAN TEMPERATURE DIFFERENCE

The heat transfer from one fluid to the other at a location is given by equation (12.1). Here the value of overall heat transfer coefficient can be assumed not to vary with location. **But the temperature difference continuously varies with location.** In order to determine the

total heat flow, either the heat flow should be summed up using elemental areas and the temperature difference at the location or more conveniently an average value of temperature difference should be worked out.

The temperature variation of the hot and cold fluids along the flow in a parallel flow heat exchanger is shown in Fig. 12.3. It can be seen that the temperature difference varies along the flow and the arithmetic average may not be the real average.

One of the important analysis in heat exchanger performance is the determination of the mean temperature difference. The heat transfer is then given by

$$Q = UA (\Delta T)_{\text{mean}} \quad \dots(12.4)$$

12.3.1. Determination of mean temperature difference: In the case of single tube parallel flow heat exchanger: Referring to Fig. 12.3, the cold fluid enters at a temperature T_{ci} and leaves at T_{co} . The hot fluid enters at T_{hi} and leaves at T_{ho} . The flow rates and specific heats are $m_c c_c$ and $m_h c_h$ respectively. The product $m c$ is also known as heat capacity sometimes denoted as C_h and C_c .

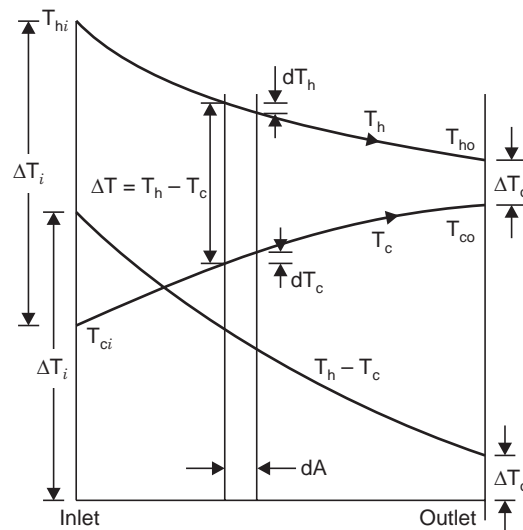


Fig. 12.3. Parallel flow-single tube heat exchanger–Temperature variation along flow.

Consider a small area dA at a location. In passing through the area let the hot fluid be cooled by dT_h and let the cold fluid be heated dT_c . Let the heat flow be dQ .

$$dQ = -m_h C_h dT_h = m_c c_c dT_c \quad \dots(12.5)$$

The -ve sign indicates temperature drop or dT_h is negative.

The total heat flow is calculated using,

$$Q = m_h c_h (T_{hi} - T_{ho}) = m_c c_c (T_{co} - T_{ci}) \quad \dots(12.6)$$

This equation is used to determine one of the unknown temperatures if mass flows are specified or the unknown mass flow if all temperatures are specified.

Using equation (12.5)

$$dT_h = -\frac{dQ}{m_h c_h}, \quad dT_c = \frac{dQ}{m_c c_c}$$

$$dT_h - dT_c = d(T_h - T_c) = -dQ \left[\frac{1}{m_h c_h} + \frac{1}{m_c c_c} \right] \quad \dots(12.7)$$

From equation (12.1)

$$dQ = U dA (T_h - T_c) \quad \dots(12.8)$$

substituting in (12.7)

$$\frac{d(T_h - T_c)}{(T_h - T_c)} = -U dA \left[\frac{1}{m_h c_h} + \frac{1}{m_c c_c} \right] \quad \dots(12.9)$$

Integrating from the inlet to the outlet

$$\ln (T_h - T_c) \Big|_i^o = -UA \left[\frac{1}{m_h c_h} + \frac{1}{m_c c_c} \right] \quad \dots(12.10)$$

Substituting the following in equation (12.10),

$$m_h c_h = Q/(T_{hi} - T_{ho}) \quad \text{and} \quad m_c c_c = Q/(T_{co} - T_{ci})$$

$$\begin{aligned} \ln \frac{\Delta T_o}{\Delta T_i} &= -\frac{UA}{Q} [(T_{hi} - T_{ho}) + (T_{co} - T_{ci})] \\ &= \frac{UA}{Q} [(T_{ho} - T_{co}) - (T_{hi} - T_{ci})] \end{aligned}$$

$$\therefore Q = UA \left[\frac{\Delta T_o - \Delta T_i}{\ln \frac{\Delta T_o}{\Delta T_i}} \right] \quad \dots(12.11)$$

Where ΔT_o and ΔT_i are the difference in temperatures between the hot and cold fluids at outlet and at inlet.

Comparing with equation (12.4), the mean temperature is given by

$$\Delta T_{\text{mean}} = \frac{\Delta T_o - \Delta T_i}{\ln \frac{\Delta T_o}{\Delta T_i}} \quad \text{and this value is known as Log Mean}$$

Temperature Difference or simply LMTD

$$\therefore Q = UA (\text{LMTD}) \quad \dots(12.12)$$

Similar derivation is worked out for counter flow under section 12.6.1.

The same expression holds good for counter flow also but the temperature distribution will be different.

The design of a heat exchanger generally involves the calculation of the total heat transfer area required. The flow rate of fluids and the specific heats and also the inlet and outlet temperatures specify the heat transfer rate (equation 12.6). The overall heat transfer coefficient can be estimated using the fluid properties and flow configuration and dimensions. Hence the remaining unknown namely area A can be estimated. Iterative calculations will be required in actual designs as the distribution of the area can be done by various combinations of tube diameters and lengths.

Example 12.2: Determine the area required in parallel flow heat exchanger to cool oil from 60°C to 30°C using water available at 20°C. The outlet temperature of the water is 26°C. The rate of flow of oil is 10 kg/s. The specific heat of the oil is 2200 J/kg K. The overall heat transfer coefficient $U = 300 \text{ W/m}^2 \text{ K}$. Compare the area required for a counter flow exchanger.

Solution: The temperature variation for parallel flow is shown in Fig. 12.4 (a).

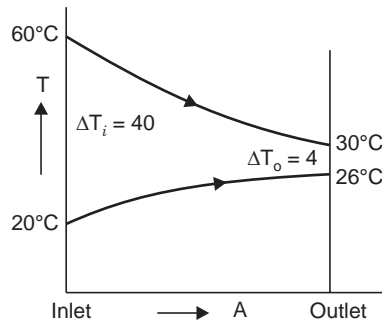


Fig. 12.4 (a) Parallel flow

$$Q = m_h c_h (T_{hi} - T_{ho}) = 10 \times 2200 (60 - 30) \text{ J/s} = \mathbf{6,60,000 \text{ W}}$$

$$Q = U A (\text{LMTD})$$

$$\text{LMTD} = \frac{40 - 4}{\ln \frac{40}{4}} = \mathbf{15.635^\circ\text{C}}$$

$$6,60,000 = 300 \times A \times 15.635 \quad \therefore \mathbf{A = 140.71 \text{ m}^2}$$

As can be seen a single tube arrangement is impractical.

Counter flow:

The temperature variation is shown in Fig 12.4 (b)

$$\text{LMTD} = \frac{34 - 10}{\ln \frac{34}{10}} = \mathbf{19.611^\circ\text{C}}$$

$$\therefore \mathbf{A = 112.18 \text{ m}^2}$$

about 20% less.

The flow rate of water can also be determined as it will be a necessary data.

$$Q = m_c C_c (T_{co} - T_{ci})$$

$$6,60,000 = m_c \times 4180 (26 - 20)$$

$$\mathbf{m_c = 26.32 \text{ kg/s}}$$

The counter flow arrangement provides more uniform temperature difference along the flow and hence a better rate of heat flow. The counter flow type can also be used to cool or heat over a wider range of temperatures. In the above case by increasing the area or by reducing flow the hot oil can in the limit be cooled to 20°C. Manipulation in the opposite direction can get the water heated to 60°C. This is not possible in the parallel flow where the

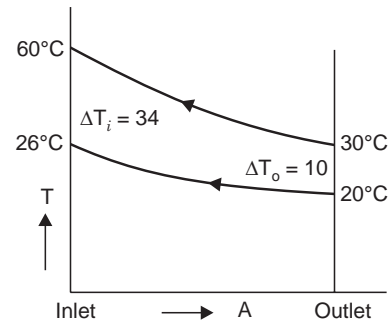


Fig. 12.4. (b) Counter flow

exit temperature has to lie somewhere in between the two inlet temperatures. As far as possible counter flow is always used in heat exchanger designs.

12.3.2. Special cases of temperature variations: (i) Condensing or evaporating of one of the fluids and one fluid condensing while other evaporates: The temperature variation is shown in Fig. 12.5 (a), (b) and (c). Very large flow rate of one of the fluids will also produce a similar temperature profile. The heat capacity of the fluid is theoretically infinite.

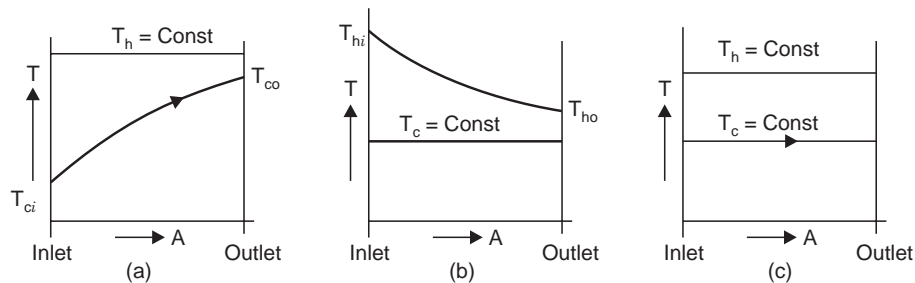


Fig. 12.5. (a) Condensing, (b) Evaporating, (c) Condensing and evaporating.

In the first two cases one of the temperatures remain constant throughout the heat exchanger. In the third case both the temperatures remain constant. The direction of flow is immaterial in these cases and the LMTD will be the same for both parallel flow, counter flow and other flow types.

(ii) **Cooling, condensing and under cooling a superheated vapour** or heating, evaporating and super heating of under cooled liquid.

The temperature distribution in these cases is shown in Fig. 12.6 (a) and (b).

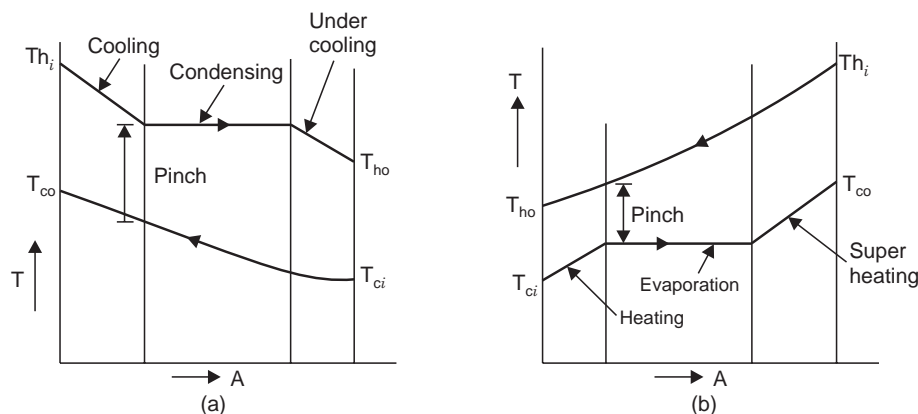


Fig. 12.6 (a) Cooling, condensation and undercooling
(b) Heating, evaporation and superheating.

In this case the heat exchanger has to be treated as a combination of three heat exchangers. The area required for evaporation or condensation will be by far the largest. There is another interesting aspect to the design in that the temperature difference marked 'pinch' can be $-ve$ if the areas and flow rates are not properly designed. The application of case (b) may be found in boilers of nuclear power plants and case (a) in refrigerant condensers.

(iii) equal heat capacity for both fluids. $m_h c_h = m_c c_c$. The temperature variation is shown in Fig. 12.7 (a) and (b) for parallel and counter flow arrangements.

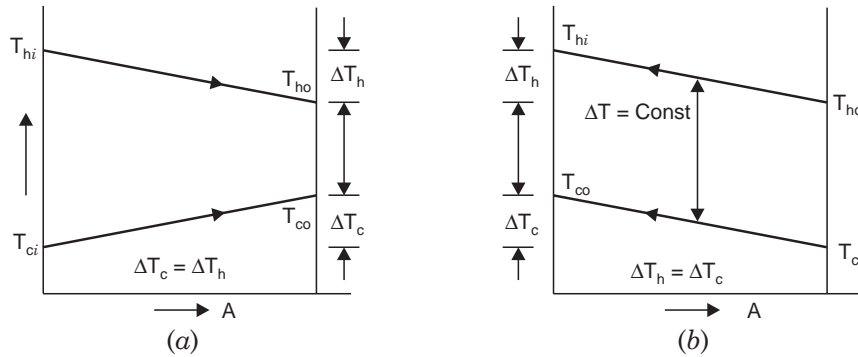


Fig. 12.7. (a) Parallel flow-equal heat capacity
(b) Counter flow-equal heat capacity.

In parallel flow the change in temperature will be equal for both fluids ($\Delta T_h = \Delta T_c$). The slope of the lines will be equal but opposite.

In the case of counter flow the temperature difference is the same at all locations and LMTD will be of 0/0 form and so we have to use.

$$\text{LMTD} = T_{hi} - T_{co} = \text{constant all along.}$$

The situation is encountered in gas turbine regenerative heaters.

12.4 REGENERATIVE TYPE

In these cases the hot fluid and cold fluid exchange heat simultaneously and directly through a barrier. The fluids generally have no chance of mixing and no intermediate storage is involved.

In certain cases involving gases this arrangement leads to a bulky exchanger. In case some small amount of contamination can be tolerated, regenerative type of heat exchanger can be used. These can be more compact and effective. In this case the hot fluid is passed on some inert material and the material is heated over a period of time. Next, the cold fluid is passed over the hot material to pick up the heat. This can be done alternately. By the use of two units heating and cooling can be also achieved as a continuous process. When one of the units goes through the heating process the other goes through the cooling process and this operation is cycled to obtain a continuous process.

In larger power plants this cycling is achieved by rotating a cylindrical mass at a slow rate to pass through the heating and cooling sectors alternately.

The analysis of this type of unit is attempted at the end of the chapter.

12.5 DETERMINATION OF AREA IN OTHER ARRANGEMENTS

In the case of two pass, cross flow and other arrangements the LMTD obtained by using single tube arrangement does not provide the correct average temperature and a correction factor has to be applied. Two parameters are found to influence the value of correction factor. These are

(i) Capacity ratio (R) given by

$$R = \frac{\text{hot fluid temperature change}}{\text{cold fluid temperature change}} = \frac{T_{hi} - T_{ho}}{T_{co} - T_{ci}} \quad \dots(12.13 (a))$$

(ii) The effectiveness (P)

$$P = \frac{\text{The minimum heat capacity fluid temperature rise}}{\text{The difference between inlet temperatures}} = \frac{t_2 - t_1}{T - t_1} \quad \dots(12.13 (b))$$

Charts are available with correction factor F against P with R as parameter. As all the four temperatures are specified, P and R can be determined and the value of correction factor F can be read from the chart. A schematic chart is shown in Fig. 12.8.

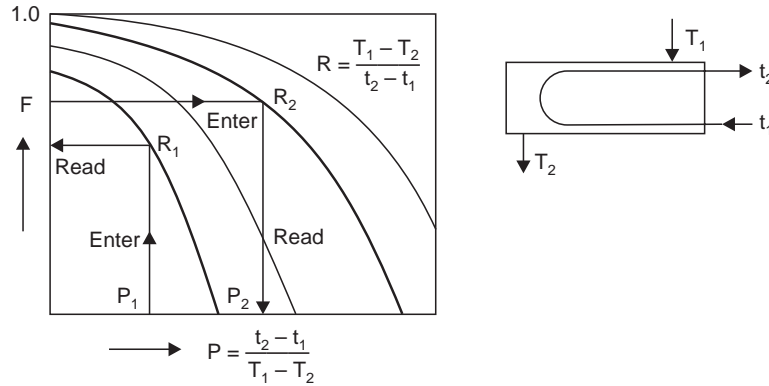


Fig. 12.8. Correction factor chart (schematic).

corrected average temperature

$$(\bar{\Delta T}) = F \cdot (\text{LMTD}) \text{ counter flow}$$

$$Q = UA (\bar{\Delta T}) \quad \dots(12.14)$$

Note: P will be zero for condenser, evaporator etc., and $F=1$ in these cases. LMTD should be based on counter flow. **Charts for various configurations is shown in the following Fig. 12.9 (a) to (e)**

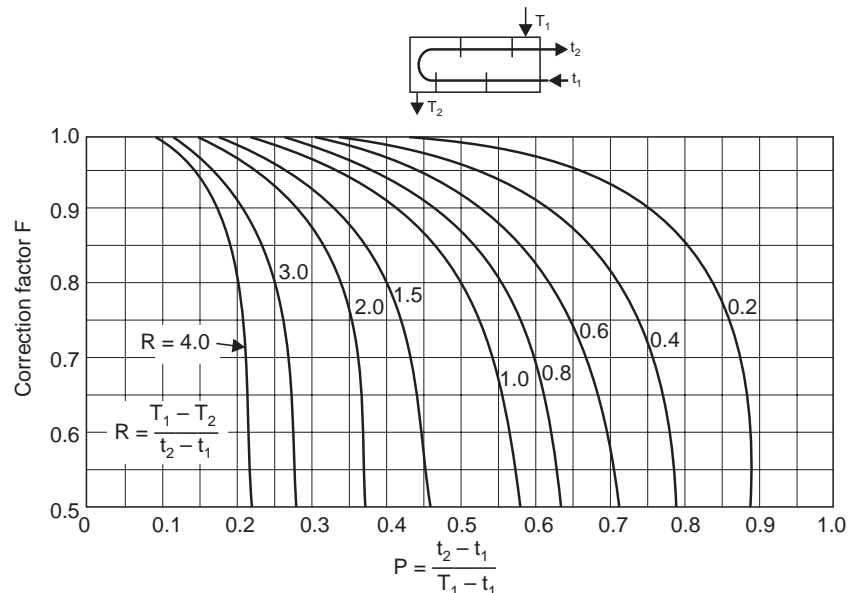


Fig. 12.9. (a) Correction factor F for shell-and-tube heat exchangers with one shell pass and any multiple of two tube passes (2, 4, 6, etc., tube passes).

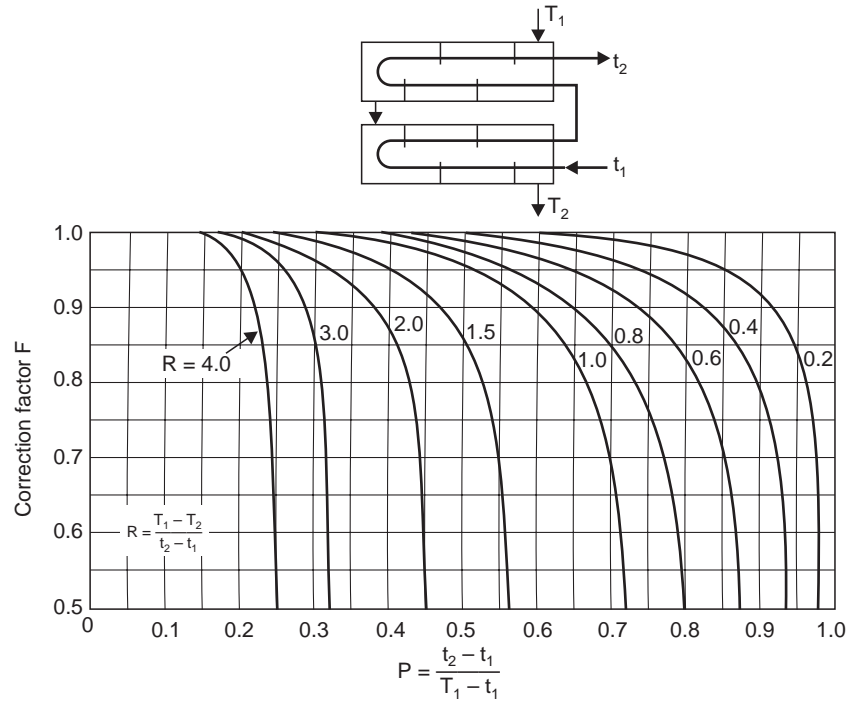


Fig. 12.9. (b) Correction factor F for shell-and-tube heat exchangers with two shell passes and any multiple of four tube passes (4, 8, 12, etc., tube passes).

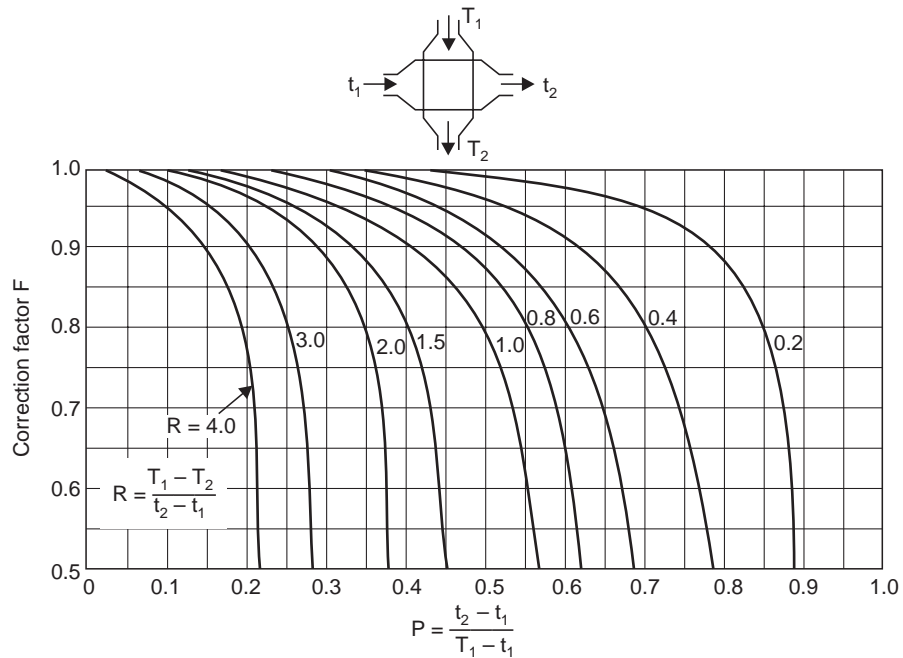


Fig. 12.9. (c) Correction factor F for cross-flow (single-pass) heat exchangers in which both streams are mixed.

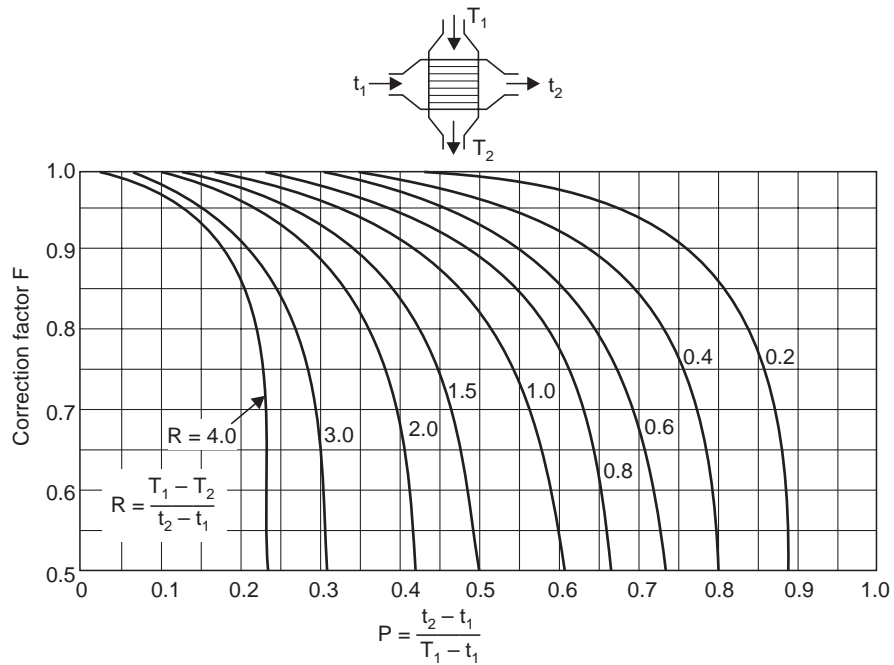


Fig. 12.9. (d) Correction factor F for cross-flow (single-pass) heat exchangers in which one stream is mixed and the other unmixed.

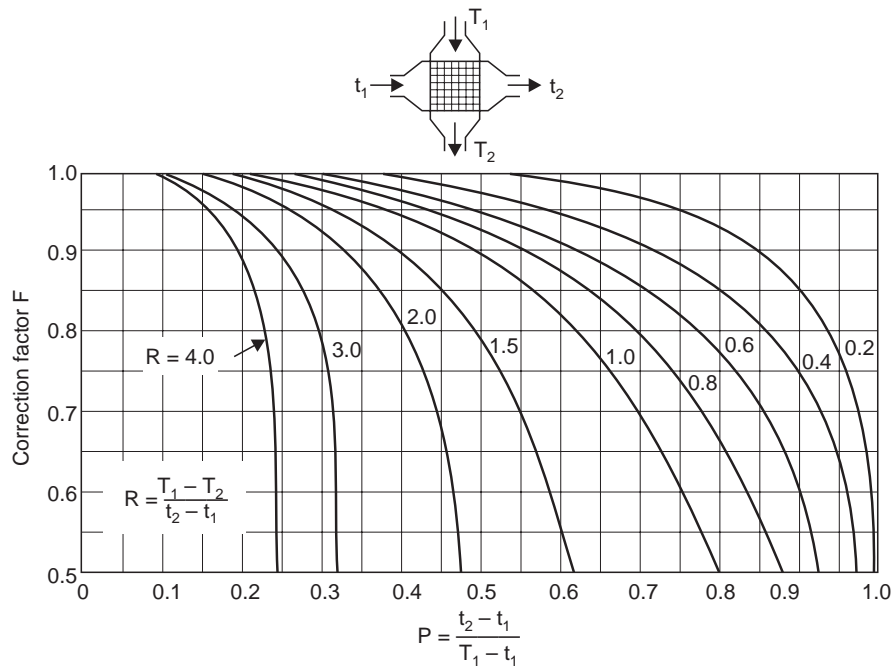


Fig. 12.9. (e) Correction factor F for cross-flow (single-pass) heat exchangers in which both streams remain unmixed.

Example 12.3: Determine the area required for a shell and tube heat exchanger with two tube passes to cool oil at rate of 10 kg/s from 60°C to 30°C flowing in the shell using water at 20°C passing through the tubes and heated up to 26°C. The specific heat of the oil is 2200 J/kg K. The value of overall heat transfer coefficient is 300 W/m²K.

Solution: The heat flow rate is given by (Refer example 12.2)

$$Q = m_h c_h \Delta T_h = 10 \times 2200 \times (60 - 30) = 6,60,000 \text{ W}$$

$$\text{LMTD counter flow} = \frac{(60 - 26) - (30 - 10)}{\ln \left(\frac{60 - 26}{30 - 10} \right)} = 19.611^\circ\text{C}.$$

$$P = \frac{26 - 20}{60 - 20} = \frac{6}{40} = 0.15, R = \frac{60 - 30}{26 - 20} = 5$$

Reading from chart (see Fig. 12.9 (a)) $F = 0.875$

$$\therefore 6,60,000 = 300 \times 0.875 \times 19.611 \times A$$

$$\therefore A = 128.2 \text{ m}^2.$$

This requirement is between parallel flow and counter flow. See example 12.2.

Example 12.4: A cross flow heat exchanger with both fluids unmixed is used to heat water flowing at a rate of 20 kg/s from 25°C to 75°C using gases available at 300°C to be cooled to 180°C. The overall heat transfer coefficient has a value of 95 W/m²K. Determine the area required. For gas $c_p = 1005 \text{ J/kgK}$.

Solution. The properties of gas can be taken as equal to that of air

$$\text{Heat transfer rate } Q = 20 \times 4180 (75 - 25) = 4.18 \times 10^6 \text{ W}$$

$$\text{LMTD counter flow} = \frac{(300 - 75) - (180 - 25)}{\ln \left(\frac{300 - 75}{180 - 25} \right)} = 187.831^\circ\text{C}$$

To find correction factor F :

$$P = \frac{t_2 - t_1}{T_1 - t_1} = \frac{75 - 25}{300 - 25} = 0.1818$$

$$R = \frac{300 - 180}{75 - 25} = \frac{120}{50} = 2.4$$

Reading from chart Fig. 8.9 (c)

$$F = 0.97$$

$$\therefore A = Q/U \cdot \text{LMTD}.$$

$$A = 4.18 \times 10^6 / 95 \times 187.831 \times 0.97 = 241.5 \text{ m}^2$$

$$\text{Flow rate of air : } 4.18 \times 10^6 / 1005 \times (300 - 180) = 34.66 \text{ kg/s}.$$

12.6 HEAT EXCHANGER PERFORMANCE

It is often necessary to estimate the **performance of a heat exchanger** when the flow rates and other parameters are changed from the design values. For example a heat exchanger may be designed to heat 10 kg/s of water from 30°C to 60°C using gases available at 200°C at a flow rate of 40 kg/s. Now it is possible to estimate the value of convective heat transfer coefficients

both inside and outside of tubes using the flow rates and once the configurations are finalised, the area can be estimated. During operation, it may become necessary to heat water from other than design temperature and flow rates other than the design values. It will be possible to specify only the new values of flow rates and inlet temperatures. Using these values it will be necessary to determine the exit temperatures.

This can be done by (i) **iterative calculations** assuming values of outlet temperature and checking the values of heat flow calculated by equations (12.6) and (12.11) for convergence. This was tedious in the precomputer days. So an alternate method was used. (ii) **By using the effectiveness of the heat exchanger and the Net Transfer Units (NTU)** of the heat exchanger. This is a very powerful method for determination of performance of heat exchangers at off design conditions and when the outlet temperatures are not specified.

12.6.0. Effectiveness: Effectiveness is defined as the ratio of actual heat transfer to the maximum possible heat transfer in the heat exchanger. The maximum possible heat transfer is determined using the counter flow concept.

The concept is explained using Fig. 12.10.

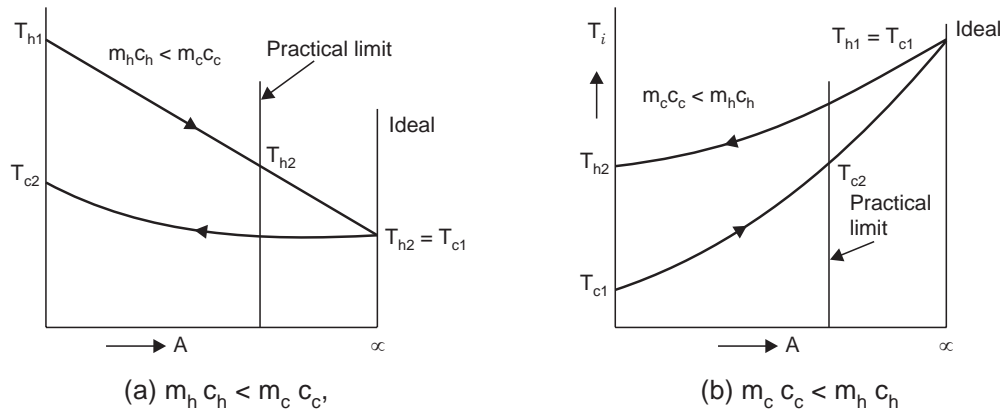


Fig. 12.10

The maximum possible heat transfer is estimated using the concept that in counter flow, arrangement it is possible by proper adjustment of flow rates either to (i) **cool the hot fluid to the cold fluid inlet temperature** Fig. 12.10 (a) or (ii) **to heat the cold fluid to the inlet temperature of the hot fluid** Fig. 12.10 (b). This is achieved by reducing the flow rate of hot fluid in case (i) and reducing the flow rate of cold fluid in case (ii), keeping the other flow rate constant.

$$\begin{aligned}
 \text{Case (i) } m_h c_h < m_c c_c, \text{ Actual heat transfer} &= m_h c_h (T_{h1} - T_{h2}) \\
 \text{Maximum possible heat transfer} &= m_h c_h (T_{h1} - T_{c1}) \\
 \therefore \text{Effectiveness} &= (T_{h1} - T_{h2}) / (T_{h1} - T_{c1}) \quad \dots(12.15)
 \end{aligned}$$

$$\begin{aligned}
 \text{Case (ii) } m_c c_c < m_h c_h \\
 \text{The actual heat transfer} &= m_c c_c (T_{c2} - T_{c1}) \\
 \text{The maximum possible heat transfer} &= m_c c_c (T_{h1} - T_{c1}) \\
 \therefore \text{Effectiveness} &= \frac{T_{c2} - T_{c1}}{T_{h1} - T_{c1}} \quad \dots(12.16)
 \end{aligned}$$

These definitions can also be written in general as.

$$\text{effectiveness} = \frac{\text{change in temperature of the minimum heat capacity fluid}}{\text{Difference between the fluid inlet temperatures}}$$

These expressions are simpler because the heat capacities are not involved. Expression like the following also are correct expressions for effectiveness.

$$\varepsilon = \frac{m_h c_h \Delta T_h}{(mc)_{\min} (T_{hi} - T_{ci})} = \frac{m_c c_c \Delta T_c}{(mc)_{\min} (T_{hi} - T_{ci})} \quad \dots(12.17)$$

where $(mc)_{\min}$ is the lower of the two heat capacities. Simple expressions can be derived for the value of effectiveness in terms of (i) C_{\min}/C_{\max} and

(ii) (UA/C_{\min}) called NTU or Net Transfer Units. Here $C = mc$.

12.6.1. Effectiveness: Counter flow heat exchanger. The temperature distribution is shown in Fig. 12.11.

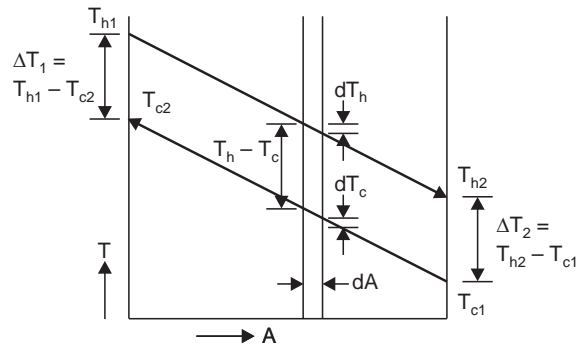


Fig. 12.11. Temperature profile, counter flow.

Considering a small area dA at the location indicated, the temperature change dT_c and dT_h are both $-ve$ in the direction considered.

$$dQ = UdA (T_h - T_c) \quad \dots(A)$$

$$dQ = -C_h dT_h = -C_c dT_c$$

Where $C = \text{mass} \times \text{specific heat} = \text{heat capacity}$

$$dT_h = -dQ/C_h, \quad dT_c = -dQ/C_c, \text{ using eqn. (A)}$$

$$\therefore dT_h - dT_c = d(T_h - T_c) = -UdA \left[\frac{1}{C_h} - \frac{1}{C_c} \right] (T_h - T_c)$$

$$\therefore \frac{d(T_h - T_c)}{T_h - T_c} = -U dA \left[\frac{1}{C_h} - \frac{1}{C_c} \right]$$

Integrating from entry to exist,

$$\ln \left[\frac{T_{h2} - T_{c1}}{T_{h1} - T_{c2}} \right] = -UA \left(\frac{1}{C_h} - \frac{1}{C_c} \right) \quad \dots(12.18)$$

Substituting for C_h and C_c as

$$C_h = \frac{Q}{T_{h1} - T_{h2}} \quad \text{and} \quad C_c = \frac{Q}{T_{c2} - T_{c1}}$$

$$\ln \left[\frac{T_{h2} - T_{c1}}{T_{h1} - T_{c2}} \right] = \frac{UA}{Q} [(T_{h2} - T_{h1}) + (T_{c2} - T_{c1})]$$

$$= \frac{UA}{Q} [(T_{h2} - T_{c1}) - (T_{h1} - T_{c2})]$$

$$\therefore Q = UA \{(\Delta T_2 - \Delta T_1) / \ln (\Delta T_2 / \Delta T_1)\} \quad \dots(12.19)$$

$$= UA \text{ (LMTD) (Refer equation (12.12) also)}$$

Considering equation (12.18) and inverting

$$\frac{T_{h2} - T_{c1}}{T_{h1} - T_{c2}} = \exp \left[-UA \left(\frac{1}{C_h} - \frac{1}{C_c} \right) \right] \quad \dots(12.20)$$

Considering C_c as C_{\min}

$$\frac{T_{h2} - T_{c1}}{T_{h1} - T_{c2}} = \exp \left[-\frac{UA}{C_{\min}} \left(\frac{C_{\min}}{C_{\max}} - 1 \right) \right]$$

$$\frac{UA}{C_{\min}} = \text{NTU. For simplicity let } \frac{UA}{C_{\min}} = N \text{ and } \frac{C_{\min}}{C_{\max}} = C,$$

$$\frac{T_{h2} - T_{c1}}{T_{h1} - T_{c2}} = \exp [-N(C - 1)] = 1 / \exp [-N(1 - C)] \quad \dots(12.20 (a))$$

considering RHS, and noting that for obtaining effectiveness we require $T_{h1} - T_{c1}$ in the ratio, add and subtract T_{h1} in the numerator and T_{c1} in the denominator

$$\frac{T_{h2} - T_{c1}}{T_{h1} - T_{c2}} = \frac{(T_{h1} - T_{c1}) - (T_{h1} - T_{h2})}{(T_{h1} - T_{c1}) - (T_{c2} - T_{c1})}$$

dividing by $(T_{h1} - T_{c1}) = \frac{1 - \frac{T_{h1} - T_{h2}}{T_{h1} - T_{c1}}}{1 - \epsilon}$

but $(T_{h1} - T_{h2}) = \frac{C_c}{C_h} (T_{c2} - T_{c1}) = C(T_{c2} - T_{c1})$

substituting $\frac{T_{h2} - T_{c1}}{T_{h1} - T_{c2}} = \frac{1 - C \epsilon}{1 - \epsilon} = \frac{1}{\exp[-N(1 - C)]}$

solving for **effectiveness**

$$\epsilon = \frac{1 - \exp[-N(1 - C)]}{1 - C \exp[-N(1 - C)]} \quad \dots(12.21)$$

This is a very important equation in using NTU method.

If C_h is considered as C_{\min} , we get the same result as below, considering equation (12.20).

$$\begin{aligned}\frac{T_{h2} - T_{c1}}{T_{h1} - T_{c2}} &= \exp \left[-UA \left(\frac{1}{C_h} - \frac{1}{C_c} \right) \right] \\ &= \exp \left[-\frac{UA}{C_{\min}} (1 - C) \right] = \exp [-N(1 - C)]\end{aligned}$$

In RHS add and subtract T_{h1} in the numerator and T_{c1} in the denominator.

$$\frac{T_{h2} - T_{c1}}{T_{h1} - T_{c2}} = \frac{(T_{h1} - T_{c1}) - (T_{h1} - T_{h2})}{(T_{h1} - T_{c1}) - (T_{c2} - T_{c1})}$$

dividing by $T_{h1} - T_{c1}$ and noting $(T_{c2} - T_{c1}) = C(T_{h1} - T_{h2})$ this reduces to

$$\frac{1 - \varepsilon}{1 - C\varepsilon} = \exp [-N(1 - C)]$$

When rearranged, the same result as (12.21) is obtained. The derivation for parallel flow is obtained using equation (12.10)

$$\ln \frac{T_{h2} - T_{c1}}{T_{h1} - T_{c1}} = -UA \left[\frac{1}{C_h} + \frac{1}{C_c} \right]$$

Inverting this equation

$$\frac{T_{h2} - T_{c1}}{T_{h1} - T_{c1}} = \exp \left[-\frac{UA}{C_{\min}} \left(1 + \frac{C_{\min}}{C_{\max}} \right) \right] = \exp [-N(1 + C)] \quad \dots(A)$$

This is irrespective of whatever fluid is C_{\min} .

Rearranging only the numerator by adding and subtracting T_{h1} , noting C_h is C_{\min}

$$\frac{-(T_{h1} - T_{h2}) - (T_{h1} - T_{c2})}{T_{h1} - T_{c1}} = \frac{T_{h2} - T_{c2}}{T_{h1} - T_{c1}} - \varepsilon$$

Now adding and subtracting T_{c1} in the numerator of the first term and noting

$$T_{c2} - T_{c1} = C(T_{h1} - T_{h2})$$

$$\frac{(T_{h1} - T_{c1}) - (T_{c2} - T_{c1})}{T_{h1} - T_{c1}} - \varepsilon = 1 - C\varepsilon - \varepsilon$$

Substituting in eqn. (A) and rearranging

$$\therefore \varepsilon(1 + C) = 1 - \exp [-N(1 + C)]$$

$$\therefore \varepsilon = \frac{1 - \exp [-N(1 + C)]}{1 + C} \quad \dots(12.22)$$

12.6.2. Special Cases:

(i) When $C_{\min} = C_{\max}$, $C = 1$

\therefore **For parallel flow** substituting in (12.22)

$$\varepsilon_p = \frac{1 - \exp [-2N]}{2} \quad \dots(12.23)$$

For counter flow direct substitution results in zero divided by zero form. So it is obtained by suitable mathematical methods (for limits) as

$$\epsilon_c = \frac{N}{N+1} \quad \dots(12.24)$$

(ii) For condensers, evaporators or large value of C , $C_{\min}/C_{\max} \rightarrow 0$ or $C_{\min} = 0$, **for both cases**

$$\epsilon = 1 - e^{-N} \quad \dots(12.25)$$

The detailed derivations for these expressions are worked under solved problems 12.4 to 12.7.

For other configurations also such expressions are available. As these are lengthy, chart solution is generally attempted.

12.6.3. Effectiveness-NTU Chart: A typical effectiveness – NTU chart is shown schematically in Fig. 12.12.

The value of NTU can be determined knowing flow rates and specific heats of fluids, area of the exchanger and the overall heat transfer coefficient. C_{\min}/C_{\max} is used as parameter. This value is also obtainable from the data specified. The chart is entered at the value of NTU and effectiveness is read where this line cuts the parametric line (C_{\min}/C_{\max}).

Note: (C_{\min}/C_{\max}) = 0 for condensers, evaporators and for very high heat capacity of one fluid.

As effectiveness is defined in terms of the inlet temperatures and one outlet temperature, this outlet temperature is determined. The heat transfer rate and the exit temperature of the other fluid can be worked out using energy balance.

Effectiveness – NTU charts for various configurations is shown in Fig. 12.13 (a) – (g).

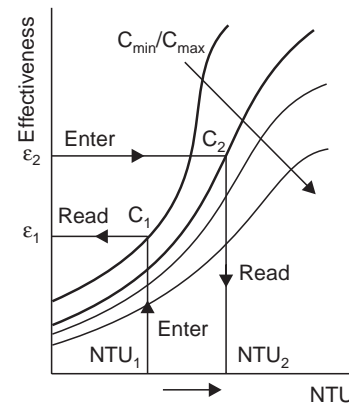


Fig. 12.12. Effectiveness chart (schematic).

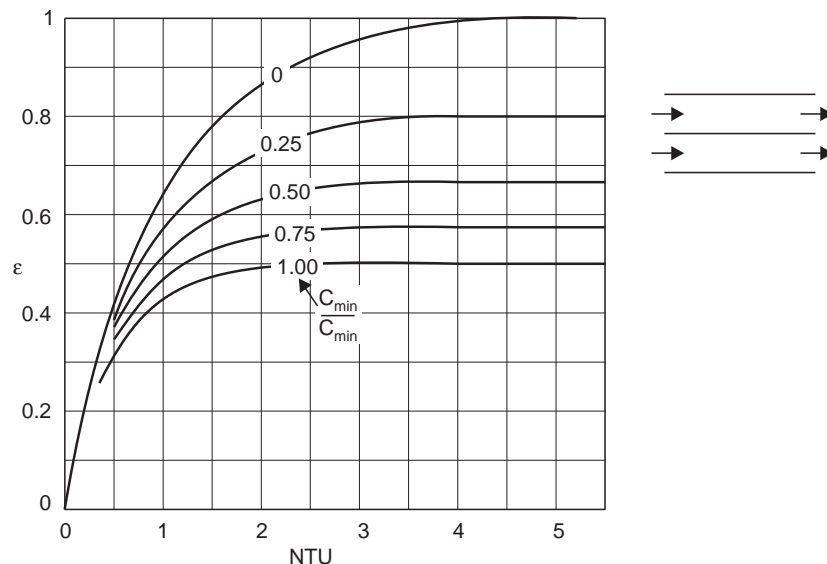


Fig. 12.13. (a) The effectiveness of a parallel flow heat exchanger.

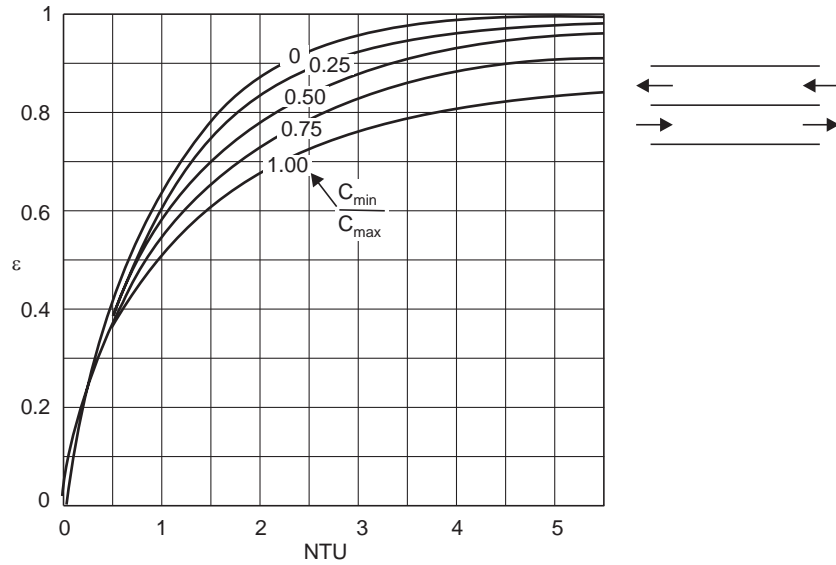


Fig. 12.13. (b) The effectiveness of a counterflow heat exchanger.

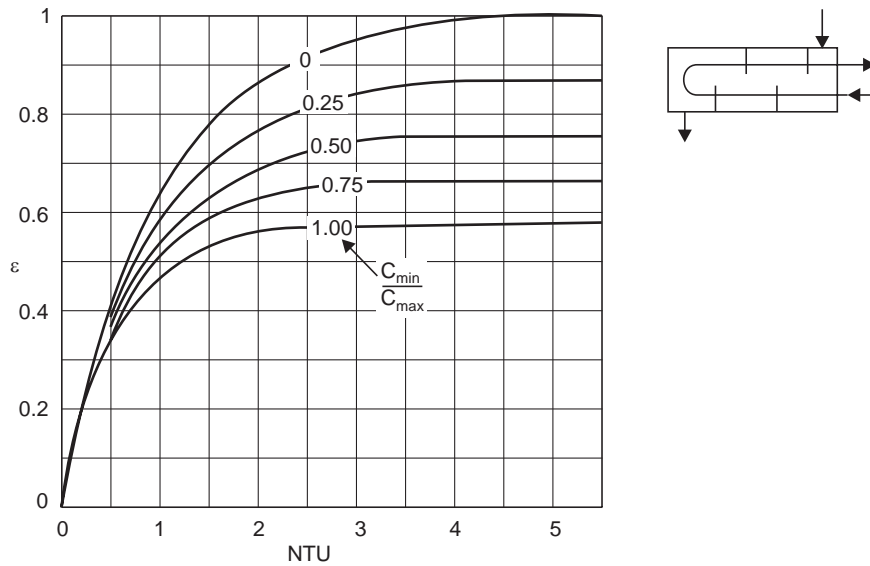


Fig. 12.13. (c) The effectiveness of shell-and-tube heat exchangers with one shell pass and any multiple of two tube passes (2, 4, 6, etc., tube passes).

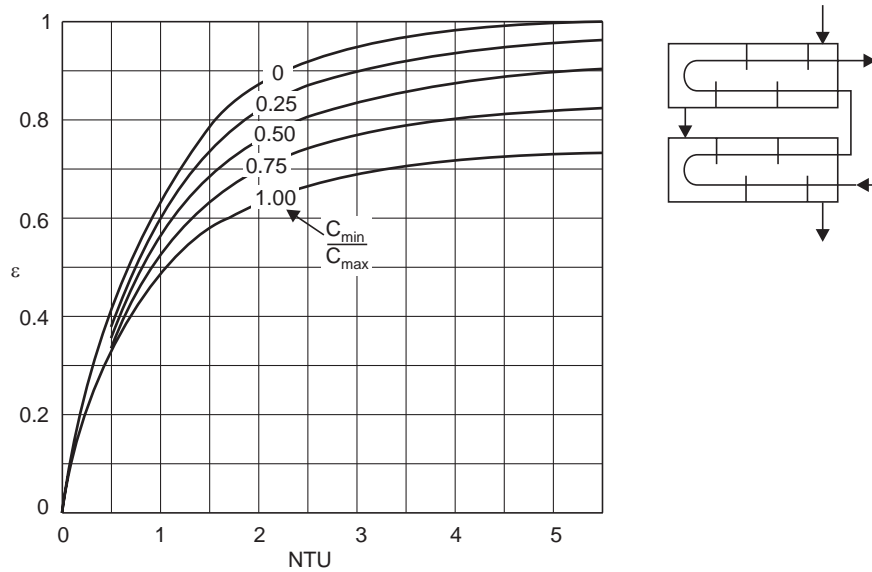


Fig. 12.13. (d) The effectiveness of shell-and-tube heat exchangers with two shell passes and any multiple of four tube passes (4, 8, 12, etc., tube passes).

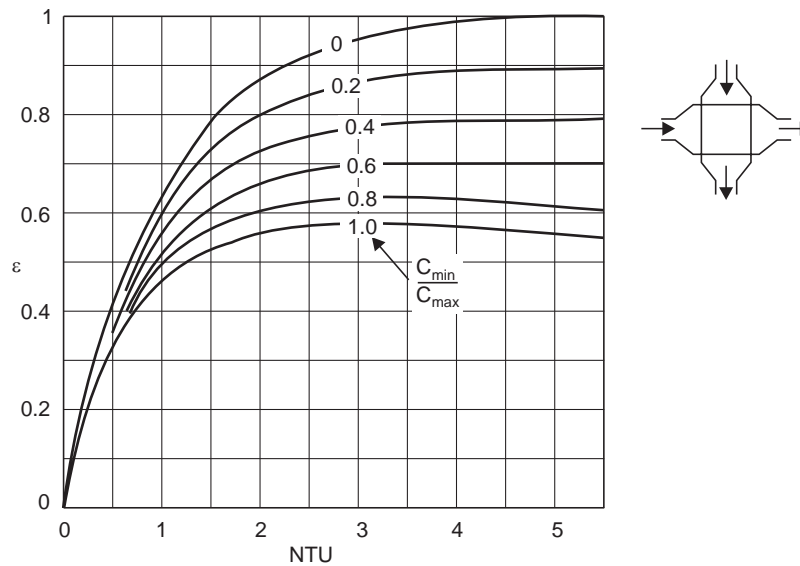


Fig. 12.13. (e) The effectiveness of a cross-flow (single-pass) heat exchanger in which both streams are mixed.

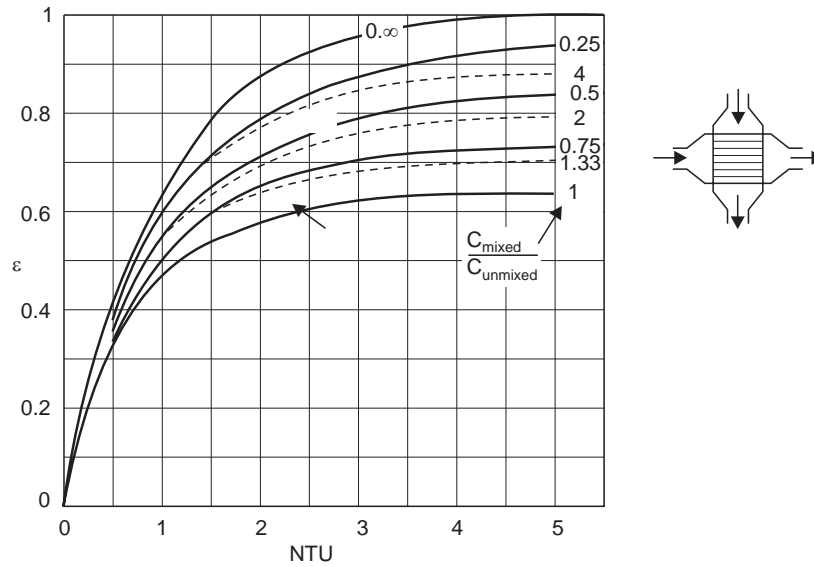


Fig. 12.13. (f) The effectiveness of a cross-flow (single-pass) heat exchanger in which one stream is mixed and the other is unmixed.

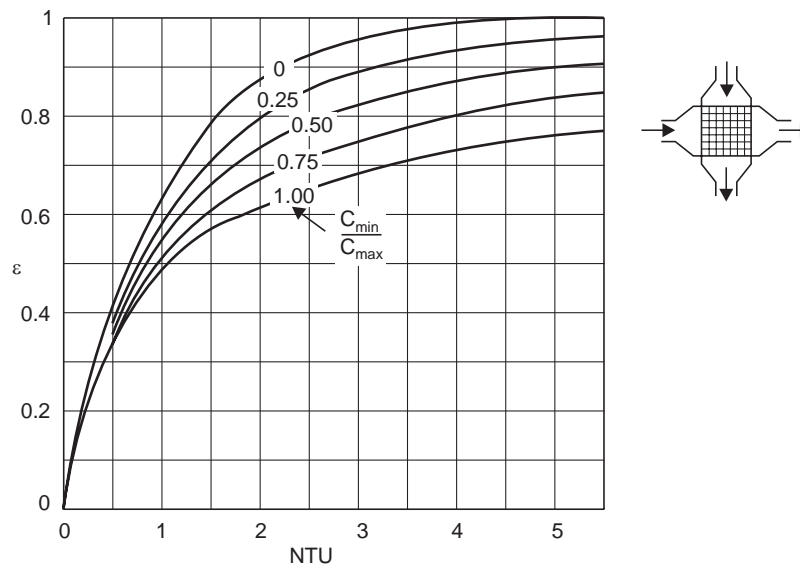


Fig. 12.13. (g) The effectiveness of a cross-flow (single-pass) heat exchanger in which both streams remain unmixed.

Example 12.5: Considering the data of example 12.2, determine the outlet temperatures of the fluids if the oil flow rate is increased to 14 kg/s. The other flow rate remains the same. Work out for parallel flow, counter flow and shell with two tube passes.

Solution: The unit cools 10 kg/s from 60°C to 30°C using water at 20°C being heated to 26°C. The flow rate was determined as 26.32 kg/s. The areas are (i) parallel flow : 140.71 m². (ii) counter flow : 112.18 m² (iii) shell with two tube passes 128.2 m² (example 12.3).

$$U = 300 \text{ W/m}^2 \text{ K.} \quad \text{Specific heat of oil: } 2200 \text{ J/kg K}$$

Considering the changed flow:

$$m_h C_h = 14 \times 2200 \quad \therefore C_h \text{ is } C_{\min}$$

$$m_c C_c = 26.32 \times 4180$$

$$\frac{C_{\min}}{C_{\max}} = \frac{14 \times 2200}{26.32 \times 4180} = 0.28$$

Parallel flow

$$NTU = UA/C_{\min} = \frac{300 \times 140.71}{2200 \times 14} = 1.37$$

reading from the chart Fig. 12.13 (a) at this value of NTU and C_{\min}/C_{\max}
effectiveness = 0.68

Using equation (12.22)

$$\text{effectiveness} = \frac{1 - \exp[-N(1+C)]}{1+C} = 0.646$$

It is better to use the equation results

$$\text{Effectiveness} = \frac{60 - T_{h2}}{60 - 20} \quad \therefore T_{h2} = 34.16^\circ\text{C}$$

(as hot fluid is C_{\min})

$$\text{Water outlet temperature: } \frac{14(60 - 34.16) 2200}{26.32 \times 4180} + 20 = 27.234^\circ\text{C}$$

$$\text{Check : } LMTD = \frac{(60 - 20) - (34.16 - 27.234)}{\ln\left(\frac{60 - 20}{34.16 - 27.234}\right)} = 18.86^\circ\text{C}$$

$$Q = UA \text{ LMTD} = 300 \times 140.71 \times 18.86 = 0.7962 \times 10^6 \text{ W}$$

From energy balance

$$Q = 14 \times 2200 \times (60 - 34.16) = 0.7959 \times 10^6 \text{ W}$$

Checks:

$$\text{Counter flow: } NTU = 300 \times 112.18/14 \times 2200 = 1.093$$

$$\text{effectiveness} = \frac{1 - \exp[-N(1-C)]}{1 - C \cdot \exp[-N(1-C)]} = 0.624$$

From chart Fig. 12.13 (b) : effectiveness = 0.620

Using the equation results

$$0.624 = \frac{60 - T_{h2}}{60 - 20} \quad \therefore T_{h2} = 35.03^\circ\text{C}$$

$$\text{Water outlet temperature} = 20 + \frac{14(60 - 35.03) \times 2200}{26.32 \times 4180} = 26.99^\circ\text{C}$$

$$\text{Check} \quad \text{LMTD} = \frac{(60 - 26.99) - (35.03 - 20)}{\ln\left(\frac{60 - 26.99}{35.03 - 20}\right)} = 22.85^\circ\text{C}$$

$$Q = 300 \times 112.18 \times 22.85 = 0.769 \times 10^6$$

$$\text{From energy balance: } 14 \times 2200(60 - 35.03) = 0.7691 \times 10^6$$

Checks

Shell with two tube passes:

$$\text{NTU} = 300 \times 128.2/14 \times 2200 = 1.249$$

$$C_{\min}/C_{\max} = 0.28$$

$$\text{Using chart, Fig. 12.13 (c) effectiveness} = 0.64 = \frac{60 - T_{h2}}{60 - 20}$$

$$\therefore T_{h2} = 34.4^\circ\text{C}$$

Water temperature using energy balance,

$$= 20 + \frac{14 \times 2200(60 - 34.4)}{26.32 \times 4180} = 27.17^\circ\text{C}$$

$$Q = 14 \times 2200(60 - 34.4) = 0.7885 \times 10^6 \text{ W}$$

Using LMTD and correction factor, (0.875, see example 12.3)

$$\text{LMTD} = \frac{(60 - 27.17) - (34.4 - 20)}{\ln\left(\frac{60 - 27.17}{34.4 - 20}\right)} = 22.36^\circ\text{C}$$

$$Q = 128.2 \times 300 \times 22.36 \times 0.875 = 0.7526 \times 10^6 \text{ W}$$

This difference (5% about) is possibly due to the use of chart solution.

Example 12.6: An economiser in a boiler has flow of water inside the pipes and hot gases on the outside flowing across the pipes. The flow rate of gases is 2,000 tons/hr and the gases are cooled from 390°C to 200°C. The specific heat of the gas is 1005 J/kg K. Water is heated (under pressure) from 100°C to 220°C. Assuming an overall heat transfer coefficient of 35 W/m² K, determine the area required. Assume that the air flow is mixed.

Solution: This is a cross flow heat exchanger

$$\text{The flow rate of gas is } \frac{2000 \times 1000}{3600} \text{ kg/s} = 555.6 \text{ kg/s}$$

$$C_h = 5.583 \times 10^5 \text{ W}$$

$$\text{The flow rate of water} = \frac{555.6 \times 1005 \times (390 - 200)}{4180 \times (220 - 100)} = 211.49 \text{ kg/s}$$

$$C_c = 211.49 \times 4180 = 8.84 \times 10^5 \text{ W}$$

$$\therefore C_h \text{ is } C_{\min} \text{ and } C_{\min}/C_{\max} = 0.632$$

$$\text{Effectiveness with } C_h \text{ as } C_{\min} = \frac{T_{h1} - T_{h2}}{T_{h1} - T_{c1}} = \frac{390 - 200}{390 - 100} = \mathbf{0.6551}$$

From the chart ($C_h = C_{\min}$ mixed), NTU is read as 1.75

$$\therefore \mathbf{A} = \frac{\text{NTU} \times C_{\min}}{U} = \frac{1.75 \times 5.583 \times 10^5}{35} = \mathbf{27,915 \text{ m}^2}$$

Check using LMTD:

$$\text{LMTD counter flow} = \frac{(390 - 220) - (200 - 100)}{\ln\left(\frac{390 - 220}{200 - 100}\right)} = \mathbf{131.92^\circ\text{C}}$$

To determine correction factor,

$$\mathbf{P} = \frac{220 - 100}{390 - 100} = \frac{120}{290} = \mathbf{0.414}, \quad \mathbf{R} = \frac{390 - 200}{220 - 100} = \frac{190}{120} = \mathbf{1.583}$$

From chart Fig. 12.9 (d) $F = 0.8$

$$Q = F U A \text{ (LMTD)}$$

$$\therefore A = Q/FU \text{ (LMTD)} = \frac{2000 \times 1000}{3600} \times \frac{1005(390 - 200)}{35 \times 131.92 \times 0.8}$$

$$\therefore \mathbf{A = 28720 \text{ m}^2} \text{ checks within reasonable limits.}$$

The LMTD method is simpler in this case.

Example 12.7: If in example 12.6, the water flow rate is increased by 20% without altering inlet conditions determine the exit conditions and the percentage change in heat transfer.

Solution: The value of C_{\max} alone is changed in this case. So the value of NTU remains the same. NTU = 1.75. Taking values from example 12.6

$$\frac{C_{\min}}{C_{\max}} = \frac{0.632}{1.2} = 0.527$$

The value of effectiveness as read from the chart is 0.68. (Note: This can be checked by equations available, 0.67)

$$\therefore 0.68 = \frac{390 - T_{h2}}{390 - 100} \quad \therefore \mathbf{T_{h2} = 192.8^\circ\text{C}}$$

Water outlet temp.:

$$\mathbf{T_{c2}} = \frac{555.6 \times 1005(390 - 192.8)}{211.49 - 1.2 \times 4180} + 100 = \mathbf{203.8^\circ\text{C}}$$

$$Q = 555.6 \times 1005 \times (390 - 192.8) = 110.112 \times 10^6 \text{ W}$$

$$Q \text{ at design value} = 555.6 \times 1005(390 - 200) = 106.09 \times 10^6 \text{ W}$$

$$\therefore \text{percentage increase} = \mathbf{3.8 \%}$$

Note: Though the heat flow has increased, the water outlet temperature is lower because of increased flow rate.

12.7 STORAGE TYPE HEAT EXCHANGERS

A diagrammatic view of a storage type heat exchanger is shown in Fig. 12.14

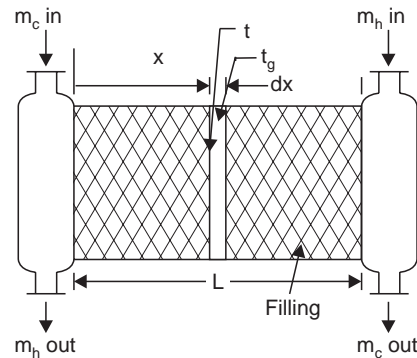


Fig. 12.14. Storage type heat exchanger.

Hot gas flows over the matrix for a given period, heating the mass. The flow is then stopped and cold fluid flows over the matrix for the next period getting heated in the process.

The energy from the hot fluid is transferred to the cold fluid with intermediate storage in the matrix.

The gas and matrix temperatures at any location can be solved for by writing the energy balance equation for the elemental width dx , using the following notations:

M_c = mass of solid per unit length kg/m

C_s = specific heat of solid

V_1 = free volume per unit length

A_1 = heat transfer surface area per unit length

m = mass flow rate of gas

ρ = density of gas

C = specific heat of gas

L = length of the matrix column

h = convective heat transfer coefficient between gas and matrix

Considering the solid, at the location x for length dx , where the solid temperature is t , and gas temperature t_g , heat transferred by convection at the solid surface = heat stored in the solid.

$$h A_1 (t_g - t) dx d\tau = M_c C_s dx \frac{\partial t}{\partial \tau} \cdot d\tau \quad \dots(12.26)$$

Considering the gas

Heat transferred by convection = heat in changing the temperature of gas in the free volume + change in the stored energy of the flowing gas.

$$h A_1 (t - t_g) dx d\tau = \rho C V_1 dx \frac{\partial t_g}{\partial \tau} \cdot d\tau + C m d\tau \frac{\partial t_g}{\partial x} \cdot dx \quad \dots(12.27)$$

These equations after simplification yield

$$\frac{\partial t}{\partial \tau} = \frac{hA_1}{C_s M_c} (t_g - t) \quad \dots(12.28)$$

$$\frac{\partial t_g}{\partial x} + \frac{\rho V_1}{m} \cdot \frac{\partial t_g}{\partial \tau} = \frac{hA_1}{Cm} (t - t_g) \quad \dots(12.29)$$

The second term on LHS is very small and is generally neglected. These equations are then solved using the boundary and initial conditions and introducing new variables as below:

$$exi = \frac{hA_1}{Cm} \cdot x, \quad eta = \frac{hA_1}{C_s M_c} \cdot \tau \quad \dots(12.30)$$

The results of the solution are available in chart from available in data books with (i) dimensionless gas temperature ratio and exi with eta as parameter to determine gas temperature at any location and (ii) dimensionless solid temperature ratio and exi, with eta as parameter as shown in Fig. 12.14 (a) and (b) (t_0 is initial temperature of solid)

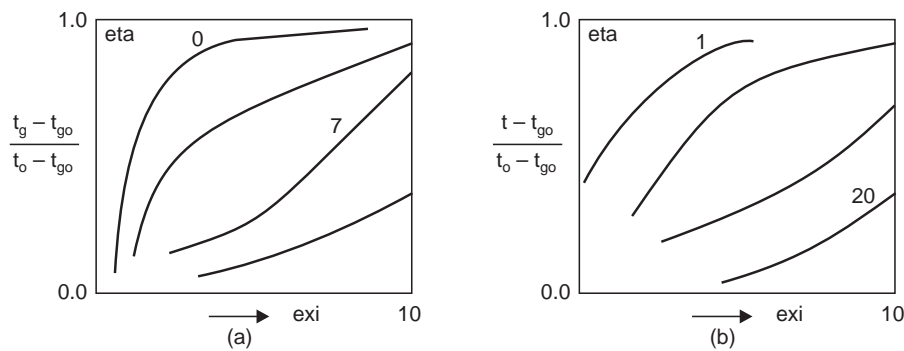


Fig. 12.14. Regenerative exchanger, (a) Gas temperature chart
(b) Solid temperature chart (Schematic).

The variables exi and eta are functions of location and time and material properties and flow rate. In this case the solid internal resistance is neglected.

The heat flow over a period of time can be calculated by summing up the heat flow at all the locations.

For continuous rotary type of storage heat exchanger, effectiveness charts are available in hand books to determine the effectiveness and heat flow.

Example 12.8: A storage type of heater is 1 m^2 in section 2.5 m long. It is filled with mesh which provides $30 \text{ m}^2/\text{m}$ length surface area and a void of 60%. The mass of filler per m length is 2000 kg . The specific heat of the filler material is 475 J/kgK . The convective heat transfer coefficient over the surface is $50 \text{ W/m}^2 \text{ K}$.

Determine the filler and gas temperature at 1.25 m location after 12 minutes. Gas at 300°C flows at a rate of 0.4 kg/s . The initial temperature at the location was 60°C specific heat of gas = 1005 J/kgK .

Solution: This is a storage heat exchanger problem. Use of charts is necessary. The parameters are

$$exi = \frac{hA_1}{Cm} \cdot x \quad eta = \frac{hA_1}{C_s M_c} \cdot \tau.$$

$$h = 50 \text{ W/m}^2\text{K}, \quad A_1 = 30 \text{ m}^2/\text{m}, \quad C = 1005 \text{ J/kgK}, \quad m = 0.4 \text{ kg/s}$$

$$x = 1.25 \text{ m}, \quad C_s = 475 \text{ J/kgK}, \quad M_c = 2000 \text{ kg/m}, \quad \tau = 720 \text{ s}$$

$$\therefore \quad \text{exi} = \frac{50 \times 30 \times 1.25}{1005 \times 0.4} = 4.66 \quad \text{eta} = \frac{50 \times 30 \times 720}{2000 \times 475} = 1.14$$

Using the chart (schematic) (Fig. 12.15 (a))

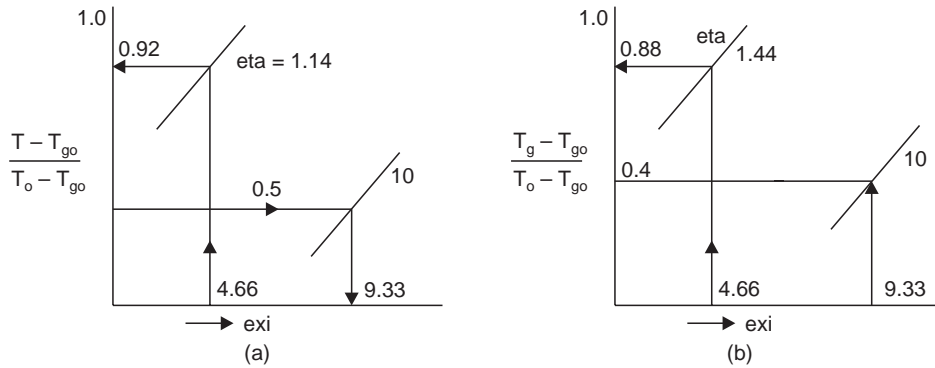


Fig. 12.15. (a, b)

The filler temperature ratio is read as 0.92

$$\frac{T - 300}{60 - 300} = 0.92, \quad \therefore T = 79.2^\circ\text{C}$$

To determine the gas temperature using the chart (schematic) (Fig. 12.15 (b))

$$\frac{T_g - T_{go}}{T_o - T_{go}} = 0.88 \quad \frac{T_g - 300}{60 - 300} = 0.88 \quad \therefore T_g = 88.8^\circ\text{C}.$$

Example 12.9 : In example 12.8, determine how long it will take for the filler temperature at the exit position to reach 180°C . Determine the gas temperature at this position at that time.

Solution:

$$\text{exi} = \frac{50 \times 30 \times 2.5}{1005 \times 0.4} = 9.33$$

$$\frac{T - T_{go}}{T_o - T_{go}} = \frac{180 - 300}{60 - 300} = 0.5$$

Reading from the filler temperature chart, $\text{eta} = 10$

$$10 = \frac{50 \times 30 \times \tau}{2000 \times 475}, \quad \therefore \tau = 6333 \text{ s or } 1.76 \text{ hours}$$

reading from gas temperature chart for $\text{eta} = 10$ and $\text{exi} = 9.33$, Fig. 12.14 (b),

$$\frac{T_g - T_{go}}{T_o - T_{go}} = 0.4 \quad \therefore t_g = 204^\circ\text{C}$$

The mass flow rate of gas and convection coefficient should be increased if the heating time is to be reduced.

12.8 COMPACT HEAT EXCHANGERS

In gas flow, the convective heat transfer coefficients are low and consequently in heat exchangers using gas flow the overall heat transfer coefficient is low. The area required is large. So the heat transfer area has to be increased over and above that of the tubes in order to reduce the heat exchanger size. This is achieved by the use of thin fins. Such heat exchangers are called compact heat exchangers. Examples are steam to air heaters, automobile radiators and heat exchangers used in small air conditioners. Several types of construction are employed, some of them being circular tubes with circular fins, helical fins, plate fins, flat tubes with plate fin matrix. Test results for several types of matrix arrangement, correlated in terms of Reynolds number against friction factor and Stanton number are available. Reynolds and Stanton numbers are generally calculated using mass velocity.

$$Re = \frac{G \cdot D_h}{\mu} \quad \text{and} \quad St = \frac{h}{G C_p}$$

$$G = \text{mass velocity} = m/A_{\min} \quad \text{kg/m}^2 \cdot \text{s}$$

$$m = \text{mass flow rate, kg/s.}$$

$$A_{\min} = \text{minimum flow area, m}^2$$

$$D_h = \text{hydraulic diameter} = 4, L A_{\min}/A$$

$$L = \text{flow perimeter} \quad A = \text{total heat transfer surface area}$$

These values can be calculated if the construction details are specified.

A typical test result is shown in Fig. 12.16

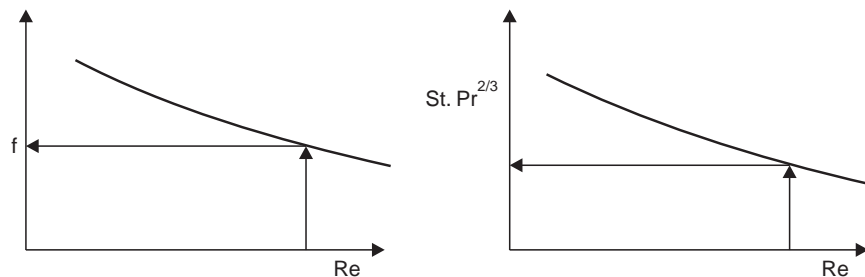


Fig. 12.16. Correlations for compact heat exchanger (Schematic).

The total area can be calculated if the pitch and the fin dimensions are known. Similarly the minimum area and length can also be calculated using the fin pitch, and sectional area for flow.

(for details refer *Compact Heat Exchangers – Kays and London, McGraw Hill*)

SOLVED PROBLEMS

Note: Problems 12.1 - 12.3 are for the determination of overall heat transfer coefficient and are not on heat exchanger performance.

Problem 12.1: In a refinery fuel oil is to be cooled from 100°C to 40°C by water at 25°C flowing on the outside of the tube. The inner diameter is 25 mm and the oil flow rate is 1 kg/s. Water is heated to 45°C. The tube is made of 0.5 % carbon steel of thickness 3 mm. The inner diameter of

the outer pipe is 62.5 mm. The outside may be considered as insulated. The properties of oil at 70°C are: density = 858 kg/m³, kinematic viscosity $\nu = 60 \times 10^{-6}$ m²/s. $k = 0.140$ W/mK, specific heat = 2100 J/kg K. Determine the overall heat transfer coefficient. Consider good performance even after fairly long usage.

Solution: In this case, the overall heat transfer coefficient has to be determined. The details required are :

$$h_o, h_i, R_k, R_{fo} \text{ and } R_{fi}$$

(i) Determination of h_o : water is flowing in the annular area.

The properties of water at $(25 + 45) / 2 = 35^\circ\text{C}$ are

$$\text{density} = 992.5 \text{ kg/m}^3, \text{ kinematic viscosity} = 0.61225 \times 10^{-6} \text{ m}^2/\text{s}$$

$$k = 0.634 \text{ W/mK}, Pr = 4.01,$$

$$\text{hydraulic mean radius} = (0.0625 - 0.031) \text{ m}$$

The rate of flow is obtained by heat balance.

$$1 \times 2100 \times (100 - 40) = m_{h_{20}} \times 4180 \times (45 - 25)$$

$$\therefore m_{h_{20}} = 1.507 \text{ kg/s}, \text{ density} = 998.5 \text{ kg/m}^3$$

$$\text{The flow area} = \frac{\pi}{4} (0.0625^2 - 0.031^2)$$

$$\text{Average velocity of water} = \left(\frac{1.507}{998.5} \right) / \left[\frac{\pi}{4} (0.0625^2 - 0.031^2) \right] = 0.6574 \text{ m/s}$$

$$\text{Reynolds number} \quad Re = \frac{0.6574 \times (0.0625 - 0.031)}{0.61225 \times 10^{-6}} = 33823$$

The correlation applicable for burbulent flow in an annulus is the same as per tube flow using hydraulic mean radius.

$$\therefore Nu = 0.023 Re^{0.8} Pr^{0.4} = 168.4$$

$$\therefore h_o = \frac{168.5 \times 0.634}{(0.0625 - 0.031)} = 3389.5 \text{ W/m}^2 \text{ K}$$

On the oil side, (within the tube), using mass flow rate,

$$\text{Reynolds number} \quad Re = 4 m / \pi D \mu$$

$$= 4 \times 1 / \pi \times 0.025 \times 858 \times 60 \times 10^{-6} = 989.31$$

Laminar flow, Constant wall temperature, fully developed (assumed)

$$Nu = 3.66, \quad \therefore h_1 = \frac{3.66 \times 0.14}{0.025} = 20.5 \text{ W/m}^2 \text{ K}$$

The values of fouling resistances are read from table 12.1

$$\text{oil side} \quad R_{fi} = 0.000877 \text{ Km}^2/\text{W}$$

$$\text{water side} \quad R_{fo} = 0.0001754 \text{ Km}^2/\text{W}$$

$$\therefore \frac{1}{U_o} = \frac{1}{h_o} + R_{fo} + \frac{r_o}{k} \cdot \ln \frac{r_o}{r_i} + \frac{r_o}{r_i} \cdot R_{fi} + \frac{r_o}{r_i} \cdot \frac{1}{h_i}$$

For the tube material $k = 53.6$ W/mK

$$\frac{1}{U_o} = \frac{1}{3389.5} + 0.0001754 + \frac{0.031}{53.6} \cdot \ln \frac{0.031}{0.025} + \frac{0.031}{0.025} \cdot 0.000877 + \frac{0.031}{0.025} \cdot \frac{1}{20.5}$$

$$= 2.95 \times 10^{-4} + 1.754 \times 10^{-4} + 1.244 \times 10^{-4} + 10.87 \times 10^{-4} + 604.9 \times 10^{-4}$$

$$\therefore U_o = 16.08 \text{ W/m}^2 \text{ K}$$

It can be seen that the convection resistance due to oil is controlling and is two orders of magnitude above the others ($2.95 \times 10^{-4} \rightarrow 600 \times 10^{-4}$)

$$\therefore U_i = 19.95 \text{ W/m}^2 \text{ K.}$$

Problem 12.2: In a shell and tube condenser, the tube bank is 10 rows deep. The tube ID is 20 mm and OD is 25 mm. The tubes are arranged in square array of 50 mm pitch. Water flows across the tubes with a velocity of 0.5 m/s. Sea water flows inside and the flow velocity is 1.0 m/s. The water is cooled from 50°C to 30°C and the sea water temperature in the process increases from 15°C to 25°C. Assuming for sea water, the same property values of water, determine the overall heat transfer coefficient. The tubes are of brass with $k = 60.6 \text{ W/mK}$.

Solution: Assume a tube length 4 m.

The convective heat transfer coefficients should be determined first.

Considering sea water flow, the mean temperature is 20°C. The property values are : density = 1000 kg/m³, kinematic viscosity = $1.006 \times 10^{-6} \text{ m}^2/\text{s}$, Pr = 7.02, $k = 0.5978 \text{ W/mK}$, $c = 4178 \text{ J/kgK}$.

$$\text{Reynolds number } Re = \frac{U \cdot D}{\nu} = \frac{1 \times 0.02}{1.006 \times 10^{-6}} = 19881$$

The flow is turbulent

As $L/D = 4/0.02 = 200$ fully developed flow can be assumed.

$$Nu = 0.023 Re^{0.8} Pr^{0.4} = 137.72$$

$$\therefore h_i = 4117 \text{ W/m}^2 \text{ K}$$

Considering the flow of water over the tube bank. (refer chapter on external flow)

$$u_{\max} = [S_p / (S_p - D)] u_{\infty} = 2 \times 0.5 = 1 \text{ m/s}$$

The correlation is $Nu = C Re^n$

From tables for $S_p/D = 2$, $S_n/D = 2$, $C = 0.229$, $n = 0.632$

Also for water C should be multiplied by

$1.13 \times Pr^{0.33}$ property values at 40°C are : $k = 0.628 \text{ W/mK}$

$$\rho = 995 \text{ kg/m}^3, \quad \nu = 0.657 \times 10^{-6} \text{ m}^2/\text{s}, \quad Pr = 4.34,$$

$$Nu = 1.13 \times 4.34^{0.33} \times 0.229 \times [1 \times 0.025 / 0.657 \times 10^{-6}]^{0.632} = 331.29$$

$$\therefore h_o = 331.29 \times 0.628 / 0.025 = 8322 \text{ W/m}^2 \text{ K}$$

The fouling resistances are: Water side $R_{fo} = 0.0001754 \text{ Km}^2/\text{W}$

Sea water side $R_{fi} = 0.0000877 \text{ Km}^2/\text{W}$.

$$\frac{1}{U_o} = \frac{1}{8322} + 0.0001754 + \frac{0.025}{2 \times 60.6} \cdot \ln \frac{0.025}{0.020} + \frac{0.025}{0.020} \cdot 0.0000877 + \frac{0.025}{0.020} \cdot \frac{1}{4117}$$

$$\therefore U_o = 1325 \text{ W/m}^2\text{K. } U_i = 1656 \text{ W/m}^2 \text{ K.}$$

Problem 12.3: In a condenser steam condenses on the outside of a tube bank pipes of 25 mm OD at 35°C. The bank is 10 rows deep. Sea water flows inside the pipe at a velocity of 1.0 m/s. The water is heated from 15 to 25°C during the flow. The tubes are of brass with a thermal conductivity value of 60.6 W/mK. Determine the value of overall heat transfer coefficient. The tubes are 4 m long. ID = 20 mm.

Solution: Refer to problem 12.2, $h_i = 4117 \text{ W/m}^2 \text{ K}$

For condensation on the outside : Assuming the tubes to be horizontal, (eqn. 11.27)

$$h = 0.725 \left[\frac{k^3 \rho^2 g h_{fg}}{n \mu D (T_f - T_s)} \right]^{0.25} = 0.725 \left[\frac{k^3 \rho g h_{fg}}{n \nu D (T_f - T_s)} \right]^{0.25}$$

For a film temperature of 30°C,

the property values are:

$$k = 0.6129 \text{ W/m K,}$$

$$\rho = 997.5 \text{ kg/m}^3$$

$$\nu = 0.8315 \times 10^{-6} \text{ m}^2/\text{s,}$$

$$h_{fg} = 2430.5 \text{ kJ/kg, } \mu = \nu \rho$$

$$\therefore h_o = 0.725 \left[\frac{0.6129^3 \times 997.5 \times 9.81 \times 2430.5 \times 10^3}{10 \times 0.8315 \times 10^{-6} \times 0.025 \times 20} \right]^{0.25} = 4367.6 \text{ W/m}^2 \text{ K}$$

$$\therefore \frac{1}{U_o} = \frac{1}{4367.6} + 0.0001754 + \frac{0.025}{2 \times 60.6} \cdot \ln \frac{0.025}{0.020} + \frac{0.025}{0.020} \times 0.0000877$$

$$+ \frac{0.025}{0.020} \cdot \frac{1}{4117}$$

$$\therefore U_o = 1158 \text{ W/m}^2 \text{ K}$$

$$U_i = 1447 \text{ W/m}^2 \text{ K.}$$

Problem 12.4 : Derive the expression for the temperature rise of cold fluid in a condenser along the flow area. Also derive the expression for the effectiveness of such a heat exchanger.

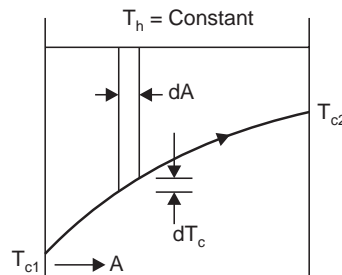


Fig. P.12.4

Solution: The temperature variation is shown in Fig. P. 12.4. The condensing temperature remains constant.

Consider area dA . Let the heat capacity of the cold fluid be $m_c c_c = C_c$.

The heat transferred in the small area.

$$dq = C_c dT_c = U dA (T - T_c) \text{ (Note: } dT_c \text{ is +ve), } T \text{ is the hot fluid temperature.}$$

$$\therefore \frac{dT_c}{T - T_c} = \frac{U dA}{C_c}$$

Here C_c is C_{\min} and so $\frac{U dA}{C_c}$ is NTU for the small area.

Integrating the expression after separating variables.

$$\int_1^2 \frac{dT_c}{T - T_c} = \int_1^2 U dA / C_c, \ln \left(\frac{T - T_{c2}}{T - T_{c1}} \right) = \frac{UA}{C_c} = \text{NTU}$$

$$\text{or } \frac{T - T_{c2}}{T - T_{c1}} = e^{-\text{NTU}} \quad \dots(12.4.1)$$

(Note: $\text{NTU} = N, (C_{\min} / C_{\max}) = C]$

The temperature at any location upto which the area is A can be determined by using that area A is the calculation of NTU. The effectiveness in this case is given by

$$\varepsilon = \frac{T_{c2} - T_{c1}}{T - T_{c1}} = \frac{(T - T_{c1}) - (T - T_{c2})}{T - T_{c1}} = 1 - \frac{T - T_{c2}}{T - T_{c1}}$$

Substituting from 12.4.1 $\varepsilon = 1 - e^{-\text{NTU}}$

This can be also obtained from the general expression for counter flow or parallel flow heat exchanger, substituting $(C_{\min} / C_{\max}) = 0$. In the case of the condenser $C_h \rightarrow \infty$.

Problem 12.5: Derive the expression for the effectiveness of a parallel flow heat exchanger.

Solution: The temperature variation is shown in Fig. P. 12.5. Considering a small area dA , The heat transfer through the area.

$$dq = -C_h dT_h = C_c dT_c = U dA (T_h - T_c) \quad \dots(12.5.1)$$

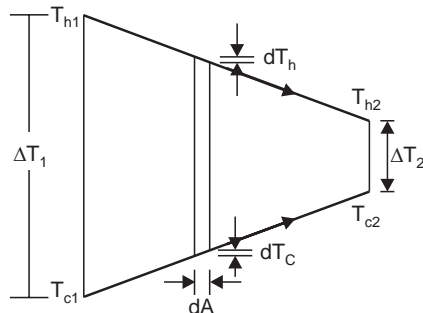


Fig. P.12.5

$$dT_h = -\frac{dq}{C_h}, \quad dT_c = \frac{dq}{C_c}$$

$$(dT_h - dT_c) = d(T_h - T_c) = -dq \left[\frac{1}{C_h} + \frac{1}{C_c} \right]$$

Substituting for $dq = U dA (T_h - T_c)$

$$d(T_h - T_c) = -U dA (T_h - T_c) \left[\frac{1}{C_h} + \frac{1}{C_c} \right]$$

separating variables and integrating, and assuming C_h as C_{\min}

$$\ln \frac{T_{h2} - T_{c2}}{T_{h1} - T_{c1}} = -UA \left[\frac{1}{C_h} + \frac{1}{C_c} \right] = -\frac{UA}{C_{\min}} \left[1 + \frac{C_{\min}}{C_{\max}} \right]$$

or
$$\frac{T_{h2} - T_{c2}}{T_{h1} - T_{c1}} = \exp[-N(1+C)] \quad \dots(12.5.2)$$

12.5.2 is now modified by adding and subtracting T_{h1} and T_{c1} in the numerator as

$$\frac{T_{h2} - T_{c2}}{T_{h1} - T_{c1}} = \frac{(T_{h1} - T_{c1}) - (T_{h1} - T_{h2}) + (T_{c1} - T_{c2})}{T_{h1} - T_{c1}}$$

as $C_c(T_{c2} - T_{c1}) = C_h(T_{h1} - T_{h2})$

$$T_{c1} - T_{c2} = -\frac{C_h}{C_c} (T_{h1} - T_{h2}) = -C(T_{h1} - T_{h2})$$

Substituting

$$\frac{T_{h2} - T_{c2}}{T_{h1} - T_{c1}} = 1 - \frac{T_{h1} - T_{c2}}{T_{h1} - T_{c1}} - C \frac{T_{h1} - T_{h2}}{T_{h1} - T_{c1}} = 1 - \epsilon - C\epsilon$$

$$\therefore 1 - \exp[-N(1+C)] = \epsilon(1+C)$$

$$\therefore \epsilon = \frac{1 - \exp[-N(1+C)]}{1+C}$$

The same expression can be obtained assuming $C_c = C_{\min}$ (Try this)

If $C = C_{\min}/C_{\max} = 0$ then $\epsilon = 1 - e^{-N}$

If $C = 1$ $\epsilon = (1 - e^{-2N})/2$.

Problem 12.6: Derive from basics the expression for effectiveness for a counter flow heat exchanger with $C_h = C_c$ or $(C_{\min}/C_{\max}) = 1$.

Solution: The temperature variation along the exchanger is shown in Fig. P. 12.6.

The temperature difference all along will be constant as $C_h = C_c$

$$\therefore dT_h = dT_c \quad \therefore dT_h - dT_c = 0$$

$$C_h = C_c = C_{\min} = C_{\max}, \quad dq = -C_h dT_h = U dA (T_h - T_c)$$

As $T_h - T_c = \text{constant}$, this can be integrated as such between the limits giving

$$C_h (T_{h1} - T_{h2}) = UA (T_h - T_c)$$

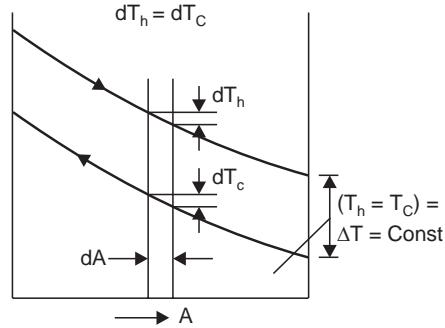


Fig. P. 12.6

$$\therefore \frac{T_{h1} - T_{h2}}{T_h - T_c} = UA/C_h = NTU = N$$

$$\frac{T_{h1} - T_{h2}}{T_h - T_c} = \frac{T_{h1} - T_{h2}}{T_{h1} - T_{c2}} = \frac{T_{h1} - T_{h2}}{(T_{h1} - T_{c1}) - (T_{c2} - T_{c1})}$$

$$C_c (T_{c2} - T_{c1}) = C_h (T_{h1} - T_{h2}) \quad \therefore T_{c2} - T_{c1} = T_{h1} - T_{h2}$$

$$\therefore \frac{T_{h1} - T_{h2}}{T_h - T_c} = \frac{T_{h1} - T_{h2}}{(T_{h1} - T_{c1}) - (T_{h1} - T_{h2})}$$

Dividing by $T_{h1} - T_{c1}$, noting $\epsilon = (T_{h1} - T_{h2}) / (T_{h1} - T_{c1})$

$$\frac{T_{h1} - T_{h2}}{T_h - T_c} = \frac{\epsilon}{1 - \epsilon} = N, \quad \therefore \epsilon = \frac{N}{N + 1}$$

Problem 12.7: From basics derive the expression for effectiveness for parallel flow heat exchanger with $C_h = C_c$ or equal heat capacities.

Solution: The temperature variation is shown in Fig. P. 12.7

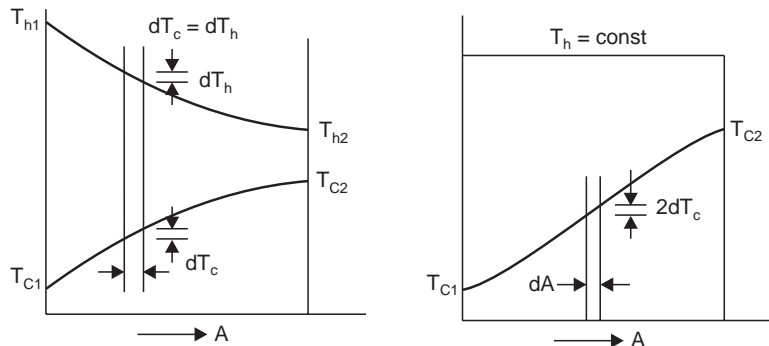


Fig. P. 12.7. (a, b)

As the heat capacities are equal and opposite, ($-dT_h = dT_c$)

$$(dT_h - dT_c) = -2 dT_c$$

The temperature variation or ΔT or $(T_h - T_c)$ can also be shown as in Fig. P. 12.7 (b) keeping one temperature at constant value, with variation at any location at double the variation of any one of the temperatures.

$$dq = C_c dT_c = UdA (T_h - T_c), d(T_h - T_c) = -2 dT_c$$

$$\therefore \frac{d(T_h - T_c)}{T_h - T_c} = -\frac{2U dA}{C_c}$$

$$\text{Integrating, } \ln \frac{T_{h2} - T_{c2}}{T_{h1} - T_{c1}} = \frac{-2UA}{C_c} = -2 \text{ NTU} = -2N$$

$$\therefore \frac{T_{h2} - T_{c2}}{T_{h1} - T_{c1}} = \exp[-2N]$$

Introducing T_{h1} and T_{c1} in the numerator.

$$\frac{T_{h2} - T_{c2}}{T_{h1} - T_{c1}} = \frac{(T_{h1} - T_{c1}) - (T_{h1} - T_{h2}) - (T_{c2} - T_{c1})}{T_{h1} - T_{c1}}$$

as $C_h (T_{h1} - T_{h2}) = C_c (T_{c2} - T_{c1})$ and as $C_h = C_c$

This reduces to

$$1 - \epsilon - \epsilon = \exp[-2N] \quad \therefore \quad \epsilon = \frac{1 - \exp[-2N]}{2}$$

This can also be obtained by substitution in the general expression.

Problem 12.8: The inlet and outlet temperature of hot and cold fluids in a double pipe heat exchanger are 220°C, 100°C and 80°C and 120°C. Determine whether the exchanger is parallel flow or counter flow. Also determine the LMTD and effectiveness of the exchanger and the capacity ratio.

Solution: The temperature are plotted both for parallel flow and counter flow, in Fig. P. 12.8 (a) and 9b).

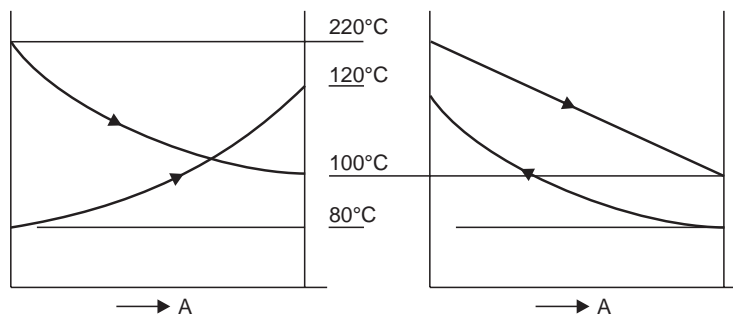


Fig. P. 12.8. (a) Parallel flow, (b) Counter flow.

The plot shows that the outlet temperature of the hot fluid is lower than the inlet temperature of the cold fluid. This will lead to heating of end portion of hot fluid by the cold fluid. So the specified condition cannot be achieved in parallel flow.

For the counter flow such a higher temperature for the cold fluid is possible. So the exchanger has to be a counter flow type.

$$\text{LMTD} = \frac{(220 - 120) - (100 - 80)}{\ln\left(\frac{220 - 120}{100 - 80}\right)} = 49.7^\circ\text{C}$$

Effectiveness: The fluid having lower heat capacity will have a higher change in its temperature.

here $T_{h1} - T_{h2} = 220 - 100 = 120^\circ\text{C}$, $T_{c2} - T_{c1} = 120 - 80 = 40^\circ\text{C}$

So hot fluid is C_{\min} . The capacity ratio is given by

$$\frac{C_{\min}}{C_{\max}} = \frac{\Delta T_{\max} \text{ fluid}}{\Delta T_{\min} \text{ fluid}} = \frac{40}{120} = \frac{1}{3}$$

$$\epsilon = \frac{T_{h1} - T_{h2}}{T_{h1} - T_{c1}} = \frac{220 - 100}{220 - 80} = \frac{120}{140} = 85.71\%$$

Problem 12.9: In a heat exchanger hot fluid enters at 180°C and leaves at 120°C while the cold fluid enters at 100°C and leaves at 120°C . Determine the LMTD and effectiveness in the following cases. Also find the NTU values.

Solution: cases: 1. Counter flow

2. One shell pass and multiple tube passes
3. two shell passess and multiple tube passes
4. cross flow, both fluids unmixed
5. cross flow, the cold fluid unmixed

This problem illustrates the basic principle involved in the comparison of various types of heat exchangers.

1. **LMTD counter flow:**

$$= \frac{60 - 20}{\ln \frac{60}{20}} = 36.41^\circ\text{C}$$

In the other cases, this value should be multiplied by a factor depending on

$$\mathbf{P} = \frac{t_2 - t_1}{T_1 - t_1} \qquad \mathbf{R} = \frac{T_1 - T_2}{t_2 - t_1}$$

$$\therefore \mathbf{P} = \frac{120 - 100}{180 - 100} = \frac{20}{80} = 0.25, \quad \mathbf{R} = \frac{180 - 120}{120 - 100} = \frac{60}{20} = 3$$

Entering the chart at $P = 0.25$ the value of F are read at $R = 3$. The values are:

	F	LMTD, $^\circ\text{C}$
2. One shell pass and multiple tube passes:	0.8	29.13
3. Two shell passes and 4, 6...8 tube passes:	0.86	31.31
4. Cross flow both fluids unmixed:	0.90	32.8
5. Cross flow cold fluids unmixed:	0.86	31.31

The area will be least where the LMTD is highest.

The hot fluid is C_{\min} as it goes through higher temperature drop.

$$\text{Effectiveness} : \frac{T_{h1} - T_{h2}}{T_{h1} - T_{c1}} = \frac{180 - 120}{180 - 100} = \frac{60}{20} = 0.75$$

The effectiveness is the same in all cases as the temperatures are specified.
The value of effectiveness is not a direct indicator of the performance of a heat exchanger in terms of area required.

$$\frac{C_{\min}}{C_{\max}} = \frac{120 - 100}{180 - 120} = \frac{20}{60} = 0.3333$$

The values of NTU can be read from charts (or may be calculated)

- | | |
|------------------------------------|------|
| 1. Counter flow | 1.65 |
| 2. One shell and Two tube pass | 2.3 |
| 3. Two shell pass | 1.8 |
| 4. Cross flow, both fluids unmixed | 1.85 |
| 5. Cross flow, Cold fluid unmixed | 1.9 |

Lower value of NTU provides better performance for heat exchangers. As U and C_{\min} are the same, higher the value of NTU, higher the area required.

Problem 12.10: Water flows at a velocity of 1 m/s through a pipe of 25 mm ID and 30 OD and 3 m length. Air at 30°C flows across the tube, with a velocity of 12 m/s. The inlet temperature of the water is 60°C. Determine the exit temperature. The thermal conductivity of the tube material is 47 W/mK.

Solution: This situation can be modelled as a single tube exchanger with the cold fluid (air) temperature constant.

The value of overall heat transfer coefficient has to be determined. The values of convective heat transfer coefficients have to be calculated.

Inside: Water at 60°C enters the tube. Assuming a bulk mean temperature of 50°C, the property values are read:

$$\rho = 990 \text{ kg/m}^3, \quad \nu = 0.5675 \times 10^{-6} \text{ m}^2/\text{s}, \quad Pr = 3.68, \quad k = 0.63965 \text{ W/mK}$$

$$Re = \frac{1 \times 0.025}{0.5675 \times 10^{-6}} = 44053 \quad \therefore \text{Turbulent}$$

$$\text{Using} \quad Nu = 0.023 Re^{0.8} Pr^{0.3} \text{ (cooling)}$$

$$Nu = 176.47 \quad \therefore \quad h_i = 4515 \text{ W/m}^2 \text{ K}$$

Air flows on the outside at 30°C. The property values are taken at 40°C (film temperature, approximate)

$$\rho = 1.128 \text{ kg/m}^3, \quad \nu = 16.96 \times 10^{-6} \text{ m}^2/\text{s}, \quad Pr = 0.699, \quad k = 0.02756 \text{ W/mK}$$

$$Re = 12 \times 0.03 / 16.96 \times 10^{-6} = 21226.4$$

Using the correlation of the form

$$Nu = C Re^m Pr^n, \text{ for this range of Reynolds number}$$

$$C = 0.26, \quad m = 0.6, \quad n = 0.37$$

$$\therefore \quad Nu = 89.85 \quad h_o = 82.55 \text{ W/m}^2 \text{ K}$$

calculating the overall heat transfer coefficient based on outside area,

$$\begin{aligned}\frac{1}{U_o} &= \frac{1}{h_o} + \frac{r_o}{k} \cdot \ln \frac{r_o}{r_i} + \frac{r_o}{r_i} \cdot \frac{1}{h_i} \\ &= \frac{1}{82.25} + \frac{0.03}{47 \times 2} \ln \frac{30}{25} + \frac{30}{25} \cdot \frac{1}{4515} \quad \therefore U_o = 80.03 \text{ W/m}^2 \text{ K}\end{aligned}$$

The water outlet temperature is not known.

Equating the heat flow calculated using water side heat capacity and temperature change, and also using LMTD approach,

$$\begin{aligned}\frac{\pi \times 0.025^2}{4} \times 1 \times 1000 \times 4180 \times (60 - T_{ho}) \\ &= 80.03 \times \pi \times 0.03 \times 3 \times \frac{(60 - 30) - (T_{ho} - 30)}{\ln \frac{60 - 30}{T_{ho} - 30}} \\ 90.68 (60 - T_{co}) &= (60 - T_{ho}) / \ln \frac{30}{T_{ho} - 30}\end{aligned}$$

Solving by trial: $T_{ho} = 59.66^\circ\text{C}$

The temperature drop is small due to the large flow rate and small area.

$$\begin{aligned}Q &= \text{mass flow} \times C \times \Delta T \\ &= \frac{\pi \times 0.025^2}{4} \times 1 \times 1000 \times 4180 (60 - 59.66) = 697.6 \text{ W}\end{aligned}$$

From LMTD,

$$\begin{aligned}Q &= UA \cdot \text{LMTD}, \quad \text{LMTD} = \frac{30 - 29.66}{\ln \frac{30}{29.66}} = 29.83 \\ &= 80.03 \times \pi \times 0.03 \times 3 \times 29.83 \\ &= 675 \text{ W (correction factor not used)}\end{aligned}$$

checks within reasonable limits.

Problem 12.11: *If in problem 12.10, air flows inside the tube with a velocity of 9 m/s, determine the exit temperature air.*

Solution: Considering a bulk mean temperature of 40°C , and using property values at this temperature (see problem 12.10)

$$\text{Re} = 9 \times 0.025 / 16.96 \times 10^{-6} = 13266.5$$

Using the correlation

$$\begin{aligned}\text{Nu} &= 0.023 \text{Re}^{0.8} \text{Pr}^{0.3} = 41.05 \\ h_i &= 41.05 \times 0.02756 / 0.025 = 45.25 \text{ W/m}^2 \text{ K} \\ h_o &= 82.55 \text{ W/m}^2 \text{ K (problem 12.10)}\end{aligned}$$

$$\therefore \frac{1}{U_o} = \frac{1}{h_o} + \frac{r_o}{k} \cdot \ln \frac{r_o}{r_i} + \frac{r_o}{r_i} \cdot \frac{1}{h_i}$$

$$= \frac{1}{82.55} + \frac{0.03}{2 \times 47} \cdot \ln \frac{30}{25} + \frac{30}{25} \cdot \frac{1}{45.25}$$

$$\therefore \quad \mathbf{U_o = 25.85 \text{ W/m}^2 \text{ K.}}$$

Equating the heat flow calculated by LMTD and heat capacity methods.

$$\begin{aligned} \frac{\pi \times 0.025^2 \times 9}{4} \times 1.128 \times 1005 (6 - T_{ho}) \\ = 25.85 \times \pi \times 0.03 \times 3 \times \frac{(60 - 30) - (T_{ho} - 30)}{\ln \frac{60 - 30}{T_{ho} - 30}} \end{aligned}$$

$$0.6854 (60 - T_{ho}) = \frac{60 - T_{ho}}{\ln \frac{60 - 30}{T_{ho} - 30}}$$

solving by trial $\mathbf{T_{ho} = 37^\circ\text{C}}$

Check: $Q = mc \Delta T = \frac{\pi \times 0.025^2 \times 9}{4} \times 1.125 \times 1005 (60 - 37) = \mathbf{114.88 \text{ W}}$

$$Q = UA (\text{LMTD}) = 25.85 \times \pi \times 0.03 \times 3 \times \frac{(60 - 30) - (37 - 30)}{\ln \frac{60 - 30}{37 - 30}}$$

$$= \mathbf{115.51 \text{ W}} \text{ (Correction factor not used)}$$

Agress well. However, another trial with properties of air at $(60 + 37)/2$ or about 50°C will provide a more closer value.

Problem 12.12: A heat exchanger is to be designed for a capacity of 100 kW. Water for air conditioning purpose is to be cooled from 15°C to 5°C in a counter flow arrangement using brine available at -20°C . The value of overall heat transfer coefficient is $650 \text{ W/m}^2\text{K}$ and may be assumed to be constant. Determine the area required if the brine outlet temperature is -10 , -5 and 5°C . Comment on the results.

Solution: The temperature variations are shown in Fig. P. 12.12.

The LMTD in the three cases are

(i) Equal heat capacity constant temperature difference.

$$\therefore 25^\circ\text{C}$$

$$(ii) \frac{20 - 25}{\ln \frac{20}{25}} = 22.4^\circ\text{C}$$

$$(iii) \frac{10 - 25}{\ln \frac{10}{25}} = 16.37^\circ\text{C}$$

Q is the same in all cases and equals 100 kW

\therefore Areas required are

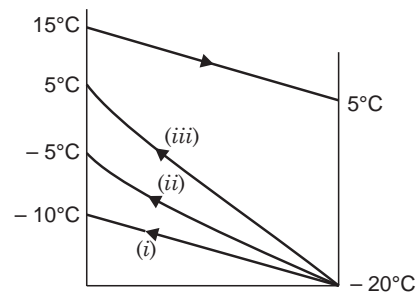


Fig. P. 12.12.

(i) **6.15 m²**

(ii) **6.87 m²**

(iii) **9.4 m²**

Flow rate of brine are:

(i) **2.39 kg/s**

(ii) **1.6 kg/s**

(iii) **0.96 kg/s.**

As the flow rate of fluid is decreased for the same capacity and for the same heat transfer rate, the area has to be increased, as LMTD decreases. In thermodynamic point of view this is better, but in the equipment point of view it becomes bulkier. The pump power has to be also considered. Larger area and larger mass flow compete here in the opposing directions. So more detailed calculation will be required to optimise the pumping power.

Problem 12.13: Engine oil is to be cooled from 120°C to 70°C in a double pipe exchanger having an area of 1.4 m². The specific heat of the oil is 2100 J/kg K. Water at 30°C is used to cool the oil and the maximum temperature of water is limited to 90°C. The flow rate of water available is 215.311 kg/hr. The overall heat transfer coefficient is 300 W/m²K. Determine the maximum possible flow rate of oil.

Solution: The outlet temperature of the hot fluid (70°C) is below the outlet temperature of the cold fluid (90°C). Hence counter flow only is possible

A heat balance apparently will yield.

$$m_c C_c \Delta T_c = m_h C_h \Delta T_h$$

$$215.311 \times 4180 \times (90 - 30) = m_h \times 2100 (120 - 70)$$

$$\therefore m_h = 514.286 \text{ kg/hr}$$

But the heat flow is to be checked using $Q = UA \text{ LMTD}$

$$\text{LMTD} = \frac{(120 - 90) - (70 - 30)}{\ln \frac{120 - 90}{70 - 30}} = 34.76^\circ\text{C}$$

$$Q = 300 \times 1.4 \times 34.76 = 14600 \text{ W}$$

$$\text{From heat capacity: } Q = \frac{215.311}{3600} \times 4180 \times (90 - 30) = 15,000 \text{ W}$$

So this flow rate cannot be used. There is only a maximum limit on water outlet temperature and so it can be lower. The oil temperature is however fixed. Equating heat flow using LMTD and also heat capacity.

$$\frac{215.311 \times 4180}{3600} (T_{co} - 30) = 300 \times 1.4 \times \frac{(120 - T_{co}) - (60 - 30)}{\ln \frac{120 - T_{co}}{60 - 30}}$$

$$\text{Simplifying, } 0.5952 (T_{co} - 30) = \frac{(120 - T_{co}) - (60 - 30)}{\ln \frac{120 - T_{co}}{60 - 30}}$$

$$\text{Solving by trial: } T_{co} = 84.75$$

$$\text{oil flow rate: } = \frac{215.311}{3600} \times 4180 (84.75 - 30) = m_{oil} \times 2100 (120 - 60)$$

$$\therefore m_{oil} = 0.10863 \text{ kg/s} = 391 \text{ kg/hr}$$

Check: Heat flow using heat capacity and temperature rise.

$$= \frac{215.311}{3600} \times 4180 (84.75 - 30) = \mathbf{13688 \text{ W}}$$

Using $Q = UA \text{ LMTD} = 300 \times 1.4 \times \frac{(120 - 84.75) - (60 - 30)}{\ln \frac{120 - 84.75}{60 - 30}}$

$$= \mathbf{13673 \text{ W, checks}}$$

The capacity of the unit is 13.688 kW. The water outlet temperature is below the maximum fixed.

Problem 12.14: An air cooled condenser has a fluid condensing at 50°C with air temperature rising by 8°C, from 25°C. The capacity of the unit is 10 kW. A variable speed fan is used for the air flow and the performance is obtained at 2400 rpm of the fan. If the air mass flow varies directly as the fan speed N and if the overall heat transfer coefficient varies as $N^{0.7}$, determine the heat transfer at a fan speed of 1200 rpm.

Solution: $Q = UA \text{ LMTD}$

$$\text{LMTD} = \frac{25 - 17}{\ln \frac{25}{17}} = \mathbf{20.74}$$

$$Q = 10,000 = UA \text{ LMTD} \quad \therefore \quad UA = 482.08$$

C_{air} is C_{min} as the other fluid is condensing and has infinite heat capacity.

$$C_{\text{min}} = \frac{Q}{\Delta T_{\text{min}}} = \frac{10,000}{8}$$

$$\therefore \quad \text{NTU} = UA/C_{\text{min}} = 8 \times 482.08/10,000 = 3.286$$

$$\epsilon = 1 - e^{-\text{NTU}} \quad \therefore \quad \epsilon = \mathbf{0.32}, \text{ also } 8/(50 - 25) = 8/25 \text{ checks}$$

when operating conditions are changed,

$$C_{\text{min}2} = c.m_2 = c. m_1 (N_2/N_1) = \frac{10000}{8} \times 0.5 = \mathbf{625}$$

$$AU_2 = AU_1 \left(\frac{N_2}{N_1} \right)^{0.7} = 482.08 \times (0.5)^{0.7} = \mathbf{296.755}$$

$$\therefore \quad \text{NTU}_2 = \frac{AU_2}{C_{\text{min}2}} = \frac{482.08 \times (0.5)^{0.7}}{625} = \mathbf{0.475}$$

$$\epsilon = 0.378 \quad \therefore \quad \epsilon = \frac{T_{e2} - 25}{50 - 25} \quad \therefore \quad T_{e2} = \mathbf{34.45^\circ\text{C}}$$

$$Q = UA \text{ LMTD} = 296.755 \times \frac{(50 - 25) - (50 - 34.45)}{\ln \frac{50 - 25}{50 - 34.45}} \text{ W}$$

$$= \mathbf{5906 \text{ W}}, \quad C_{\text{min}} = 5000/8,$$

check $Q = \frac{5000}{8} \times (34.45 - 25) = 5906 \text{ W}.$

Note: NTU and effectiveness increase, but heat transfer decreases due to the decrease in air flow rate, due to reduction in fan speed.

Problem 12.15: In an evaporator of a refrigerator, the refrigerant evaporates at -20°C over the tubes. Water flowing inside the tubes enter at 15°C and is cooled to 5°C . The cooling capacity is 5 kW . Determine the cooling rate if the water flow is increased by 25% keeping the inlet temperature to be the same.

Solution: This is an evaporator where $C_{\min}/C_{\max} = 0$, so C_{\min} is that of water.

$$Q = 5000\text{ W} = UA \text{ LMTD} = UA \left(\frac{35 - 25}{\ln \frac{35}{25}} \right)$$

$$\therefore \quad UA = 168.24$$

$$C_{\min} = 5000/(15 - 5) = 500, \text{ After change in flow,}$$

$$NTU = UA/C_{\min} = 168.24/(500 \times 1.25) = \mathbf{0.269}$$

$$\varepsilon = 1 - e^{-NTU} = \mathbf{0.236}, \text{ solving for temperature}$$

$$\therefore \quad T_{h2} = \mathbf{6.74^{\circ}\text{C}}$$

$$Q = UA \text{ LMTD} = 168.24 \left[\frac{35 - 26.74}{\ln (35/26.74)} \right] = \mathbf{5162.4\text{ W}}$$

Check

$$Q = C_{\min} (T_{h1} - T_{h2}) = 625 (15 - 6.74) = \mathbf{5162.5\text{ W}}.$$

Note: 2.5% flow increase, increases the capacity only by 3% .

Problem 12.16: In a cross flow heat exchanger gas flow is at a rate of 5 kg/s with a temperature drop of 200°C from 360°C . Water is heated from 40°C to 90°C in the tubes. The air flow is unmixed. Determine the heat transfer rate if the water flow rate is reduced to half the value.

Solution: The hot gas temperature change of 200°C is higher compared to the 50°C temperature change for water. Hence C_{\min} is that of gas as seen from the temperature drop values.

$$C_{\min}/C_{\max} = 50/200 = 0.25, \text{ capacity} = 5 \times 1005 \times 200/1000 = \mathbf{1005\text{ kW}},$$

$$\varepsilon = (T_{h1} - T_{h2})/(T_{h1} - T_{c1}) = 200/320 = 0.625$$

From chart Fig 12.13 (e) for cross flow exchanger with both side fluids unmixed,

$$NTU = 1.1$$

Under the changed operating conditions, the water flow is halved.

However its heat capacity is still higher than that of the gas. So UA/C_{\min} remains unchanged. Hence NTU remains unchanged.

Now $C_{\min}/C_{\max} = 0.5$. From the chart the value of effectiveness is read as 0.58

$$\therefore \quad \varepsilon = \frac{T_{h1} - T_{h2}}{T_{h1} - T_{c1}} \quad \therefore \quad 0.58 = \frac{360 - T_{h2}}{360 - 40}$$

$$\therefore \quad T_{h2} = \mathbf{174.4^{\circ}\text{C}}$$

$$Q = 5 \times 1005 (360 - 174.4)\text{ W} = \mathbf{932.64\text{ kW}}, \text{ a reduction of } 7\% \text{ only.}$$

Equations available in data book can also be used and in this case trial solution is necessary to solve for NTU. Try the same.

Water outlet temperature will be high as compared to 90°C *i.e.*, 132.8°C may boil.

Problem 12.17: A shell and tube heat exchanger with one shell pass and two tube passes is used to heat water (flowing in the tubes) at a rate of 10 kg/s from 30°C to 45°C with steam condensing over the tubes at 160°C. If the overall heat transfer coefficient (based on outside area) has a value of 2000 W/m²K, determine the area required. If 20 tubes of 25 mm OD are used, determine the length required.

Solution: The heat flow is given for a shell and tube exchanger with two tube passes by

$$Q = F \cdot UA \text{ LMTD}$$

The value of F is a function of P and R where

$$R = \frac{T_{h1} - T_{h2}}{T_{c2} - T_{c1}} \text{ and } T_{h1} - T_{h2} = 0 \text{ for a condenser.}$$

So $R = 0$, For $R = 0$, $F = 1$ in all cases.

The problem is meant to stress the idea that for condensers $R = 0 \therefore F = 1$ and for evaporators $P = 0$ and $F = 1$

$$\therefore Q = F UA \text{ LMTD}$$

$$10 \times 4180 \times (45 - 30) = 1 \times 2000 \times A \times \frac{(160 - 30) - (160 - 45)}{\ln \frac{160 - 30}{160 - 45}}$$

$$\therefore A = 2.562 \text{ m}^2 = N \pi DL = 20 \times \pi \times 0.025 L$$

$$\therefore L = 1.631 \text{ m.}$$

Problem 12.18: A steam condenser condensing at 70°C has to have a capacity of 100 kW. Water at 20°C is used and the outlet water temperature is limited to 45°C. If the overall heat transfer coefficient has a value of 3100 W/m²K, determine the area required.

Solution: If the inlet water temperature is increased to 30°C determine the increased flow rate of water for maintaining the same water outlet temperature.

Also determine the flow rate for the same amount of heat transfer.

As the performance is to be evaluated, it is better to use NTU method. Water heat capacity is C_{\min}

$$\varepsilon = \frac{45 - 20}{70 - 20} = 0.5$$

NTU is solved for using

$$\varepsilon = 1 - e^{-N} \text{ for } C_{\min}/C_{\max} = 0 \quad \dots(A)$$

$$\text{NTU} = 0.6931 = \frac{UA}{C_{\min}}$$

$$C_{\min} = 100,000/(45 - 20) = 4000 \text{ W/K}$$

$$\therefore A = \frac{0.6931 \times 4000}{3100} = 0.894 \text{ m}^2$$

New operating conditions:

$$T_{c1} = 30^\circ\text{C}, T_{c2} = 45^\circ\text{C}$$

$$\epsilon = (45 - 30)/(70 - 30) = 15/40 = 0.375$$

Using conditions stated By (A)

$$\therefore \quad \text{NTU} = 0.47$$

$$\frac{UA}{C_{\min}} = 0.47, C_{\min} = \frac{UA}{0.47} = \frac{3100 \times 0.894}{0.47}$$

$$= 5899 \text{ W/K (Compared to 4000)}$$

The flow rate has to be increased by 47.2%

Heat flow decreases by about 11.5% to 88.5 kW (calculate)

Heat transfer rate and the exit temperature cannot be maintained simultaneously. In order to maintain the heat transfer rate.

$$Q = UA \text{ LMTD} = 100,000 \text{ W}$$

$$3100 \times 0.894 \times \text{LMTD} = 100,000$$

$$\therefore \quad \text{LMTD} = 36.08 \frac{(70 - 30) - (70 - T_{c2})}{\ln \frac{(70 - 30)}{(70 - T_{c2})}} = 36.08$$

$$\text{Solving by trial} \quad T_{c2} = 37.6^\circ\text{C}$$

This is within the limits of 45°C

The heat capacity required is

$$100000 = C(37.6 - 30) \quad \therefore \quad C = 13158 \text{ W/K}$$

This is compared to 4000 W/K. An increase of more than 300%. Maintaining same heat transfer rate is more expensive compared to maintaining the temperature, when inlet temperature is changed.

Problem 12.19: A feed water heater uses steam condensing at 120°C to heat water from 30°C to 90°C in a shell and tube heat exchanger at a rate of 5 kg/s. The overall heat transfer coefficient is equal to 2000 W/m²K. Due to usage deposits have formed on the surfaces resulting in a fouling resistance of 0.0009 Km²/W. Determine the water exit temperature if flow rates and inlet temperatures are maintained.

Solution: As it is a condenser, it can be treated as counter flow exchanger. As performance under a different operating condition is to be studied NTU method is used.

$$\epsilon = \frac{90 - 30}{120 - 30} = \frac{60}{90} = 0.667 = 1 - e^{-\text{NTU}}$$

$$\text{Solving} \quad \text{NTU} = 1.0986$$

$$\text{NTU} = UA/C_{\min} \quad \therefore \quad A = 11.48 \text{ m}^2$$

Due to fouling, the value of U is changed. C_{\min} and area remain unaltered.

$$\frac{1}{U_d} - \frac{1}{U_c} = \text{fouling factor}$$

U_d —overall heat transfer coefficient for dirty surface

U_c —overall heat transfer coefficient for clean surface

$$\frac{1}{U_d} = \frac{1}{2000} + 0.0009 \quad \therefore \quad U_d = 714.29 \text{ W/m}^2 \text{ K}$$

$$\text{NTU} = UA/C_{\min} = 714.29 \times 11.48/5 \times 4180 = 0.3923$$

$$\therefore \quad \epsilon = 0.325 = \frac{T_{c2} - T_{c1}}{T_{h1} - T_{c1}} = \frac{T_{c2} - 30}{120 - 30}$$

$$\therefore \quad T_{c2} = 59.2^\circ\text{C}$$

Water outlet temperature is reduced from 90 to 59.2°C

$$\text{Heat flow} = 5 \times 4.180 (59.2 - 30) = 610.44 \text{ kW}$$

as compared to 1254 kW. A reduction more than 50%. This problem can be inverted to determine the fouling factor. This is the reason for use of fouling factor in design.

Problem 12.20: *A feed water heater having 5.74 m² area was used to heat water from 30°C at a rate of 2.5 kg/s, using steam condensing at 120°C. The exit temperature was measured as 90°C. Determine the value of overall heat transfer coefficient. After 3 years of operation, for the same flow rates and inlet conditions, the outlet temperature measured only 80°C. Determine the value of fouling resistance.*

Solution: This problem can preferably be solved by NTU method.

As it is a condensing unit $C_c = C_{\min}$

$$\epsilon = \frac{90 - 30}{120 - 30} = \frac{60}{90}$$

$$\therefore \quad \text{NTU} = -\ln(1 - \epsilon) = 1.0986$$

$$\text{NTU} = UA/C_{\min} = U \times 5.74/(2.5 \times 4180)$$

$$\therefore \quad U = U_c = 2000.09 \text{ W/m}^2 \text{ K}$$

After service the fluid is heated only to 80°C and so,

$$\epsilon = \frac{80 - 30}{120 - 30} = \frac{50}{90} \quad \therefore \quad \text{NTU} = 0.8109$$

$$\therefore \quad U_d = 1476.35 \text{ W/m}^2 \text{ K}$$

$$\text{Fouling resistance} = \frac{1}{U_d} - \frac{1}{U_c} = 0.000177 \text{ Km}^2/\text{W}$$

Problem 12.21: *A cross flow type air heater with both fluids unmixed has an area of 50 m² and the overall heat transfer coefficient is 45 W/m²K. The flow rate of both hot and cold air are 1 kg/s. Hot air enters at 60°C and cold air enters at 20°C. Determine the exit temperature of the streams. Also determine the exit temperature if (i) the flow rate of both fluids is halved and (ii) the flow rates are doubled. Compare the heat flow rates also.*

Solution: In this case $C_{\min} = C_{\max} \therefore C_{\min}/C_{\max} = 1$

$$C_{\min} = 1 \times 1005 \text{ W/K}$$

$$\therefore \quad \text{NTU} = UA/C_{\min} = 45 \times 50/1005 = 2.24$$

Using the ϵ -NTU chart for cross flow exchanger with both fluids unmixed, the effectiveness corresponding to NTU = 2.24 is 0.64

$$\epsilon = \frac{T_{h1} - T_{h2}}{T_{h1} - T_{c1}} = \frac{60 - T_{h2}}{60 - 20} = 0.64$$

$$\therefore \quad T_{h2} = 34.4^\circ\text{C}, \quad T_{c2} = 45.6^\circ\text{C}$$

$$Q = 1 \times 1005 \times (60 - 34.4) \text{ W} = \mathbf{23.73 \text{ kW}}$$

When the flow is halved, NTU = 4.48, from chart $\epsilon = 0.755$

$$T_{h2} = 29.80^\circ\text{C} \quad T_{c2} = 50.2^\circ\text{C}, \quad Q = 15.18 \text{ kW}$$

When the flow is doubled NTU = 1.12, From chart $\epsilon = 0.5$

$$T_{h2} = 40^\circ\text{C}, \quad T_{c2} = 40^\circ\text{C}, \quad Q = 40.2 \text{ kW}.$$

Note. higher temperature is achieved by reducing flow rates, but with lower heat flow. Lower temperature is achieved by increasing flow rates, but with higher heat flow.

Problem 12.22: *In a cross flow type heat exchanger with steam condensing inside tubes at 100°C is used to heat air from 20°C. The air side may be taken as mixed. The effectiveness of the heat exchanger is found as 0.7. If the area is 20 m² and overall heat transfer coefficient (clean) based on this area is 150 W/m²K, determine the heat transfer rate.*

Also determine the extra area required if a fouling resistance of 0.0006 Km²/W is to be allowed for.

Determine the exit temperature when the clean surface is operated with this excess area.

Solution: As steam condensation is used (C_{\min}/C_{\max}) = 0

$$\epsilon = 0.7 \frac{T_{c2} - 20}{100 - 20} \quad \therefore \quad T_{c2} = 76^\circ\text{C}$$

using the chart for cross flow heat exchanger the value of NTU is read corresponding to $\epsilon = 0.7$ and (C_{\min}/C_{\max}) = 0 as 1.2.

$$\text{NTU} = 1.2 = UA/C_{\min}$$

$$\therefore \quad C_{\min} = 2500 \text{ W/K}$$

$$\therefore \quad \text{Heat flow rate} = 2500 \times (76 - 20) \text{ W} = \mathbf{140 \text{ kW}}$$

$$\frac{1}{U_d} - \frac{1}{U_c} = \text{fouling resistance} = 0.0006$$

$$\therefore \quad U_d = 137.62 \text{ W/m}^2 \text{ K}$$

For the same NTU and effectiveness,

$$\frac{137.62 \times A}{2500} = 1.2 \quad \therefore \quad A = \mathbf{21.8 \text{ m}^2}$$

As the overall heat transfer coefficient is already low, the extra resistance does not add to the area requirement by a large amount.

Under the altered area if original flow rate is maintained.

$$\frac{UA}{C_{\min}} = \frac{150 \times 21.8}{2500} = 1.308$$

From chart $\epsilon = 0.73 \therefore T_{c2} = 78.4^\circ\text{C}$

An increase of 2.4°C .

Problem 12.23: *Air is to be heated at a rate of 1 kg/s from 30°C to 45°C in a cross flow type of heat exchanger with finned tubes with water at 90°C flowing inside the tubes. The overall heat transfer coefficient is $60 \text{ W/m}^2\text{K}$ referred to an area of 7.5 m^2 . Calculate the flow rate of water and the water exit temperature. Also determine the % change in the flow rate of water if the water inlet temperature is 60°C , 70°C , 80°C and 100°C . Assume the air flow rate and air exit temp. remain unchanged.*

Solution: Both the flow rate and exit temperature of the hot fluid are not known (water)

$$\begin{aligned} \text{Using } Q &= F.UA \text{ LMTD} = C_c \Delta T_c \\ 1 \times 1005 \times 15 &= 60 \times 7.5 \times \text{LMTD} \times F \end{aligned} \quad \dots(A)$$

First assume $F \approx 1 \therefore \text{LMTD} = 33.5^\circ\text{C}$

$$\therefore 33.5 = \frac{(90 - 45) - (T_{h2} - 30)}{\ln \frac{90 - 45}{T_{h2} - 30}}$$

solving by trial, $T_{h2} = 54.2^\circ\text{C}$.

$$\text{For this value, } R = \frac{90 - 54.2}{45 - 30} = 2.39, P = 0.25, F = 0.948$$

Using this value in A, $\text{LMTD} = 35.34$

Solving by trial, $T_{h2} = 57^\circ\text{C}$, $R = 2.2$, $F = 0.95$

This value is good enough.

Now the flow rate of water is calculated using

$$1 \times 1005 \times 15 = m \times 4180 \times (90 - 57)$$

$$\mathbf{m = 0.1093 \text{ kg/s}} \text{ for water exit temperature of } 57^\circ\text{C}$$

The water flow is C_{\min} .

When the inlet temperature is changed, it is to be noted that below a certain value of inlet temperature it is not possible to maintain the air outlet temperature even with a very large flow. Take the example of 70°C inlet.

The max value of LMTD in this case is

$$\frac{25 - 40}{\ln \frac{25}{40}} = 31.91 < 35.34$$

which is lower than the required value for obtaining the heat flow with the given area and overall heat transfer coefficient. So 70°C and 60°C inlet are not compatible.

For 80°C the outlet temperature is about 67°C and the flow rate is 0.494 kg/s . There is an increase of 400%.

For 100°C , the outlet temperature is about 59°C and mass flow is 0.088 kg/s a reduction of about 20%.

Problem 12.24: *A shell and tube heat exchanger with 4 tube passes is used to cool hot water at 90°C at a rate of 10 kg/s using cold water available at 20°C . With the flow rate of cold water was 5 kg/s the cold water outlet temperature was 70°C .*

Investigate the variation of heat flow rate when the flow rate of cold water is reduced, maintaining the inlet temperature and the hot water flow rate to be the same.

Solution: As performance is to be evaluated, NTU method may be used. In this case $C_c = C_{\min}$, $C_{\min}/C_{\max} = 0.5$

$$\varepsilon = \frac{70 - 20}{90 - 20} = \frac{50}{70} = 0.714, \text{ Using the corresponding chart,}$$

NTU is read as 2.42.

$$UA = 2.42 \times C_{\min} = 2.42 \times 5 \times 4180 = 50578$$

This value remains constant (assumed)

$$Q = 5 \times 4180 (70 - 20) \text{ W} = 1045 \text{ kW}$$

Case (i) Flow rate of cold water reduced to 4 kg/s

$$C_{\min}/C_{\max} = 4/10 = 0.4$$

$$\text{NTU} = UA/C_{\min} = 50578/4 \times 4180 = 3.025$$

Using the chart $\varepsilon = 0.76$

\therefore Cold fluid outlet temperature is determined using

$$0.76 = \frac{T_{c2} - 20}{90 - 20} \quad \therefore T_{c2} = 73.2^\circ\text{C}$$

$$Q = 4 \times 4180 \times (73.2 - 20) = 889504 \text{ W or } 889.5 \text{ kW.}$$

Case (ii) Using the same procedure, the heat flow and outlet temperatures for 3 and 2.5 kg/s are determined as 78.1°C and 728.6 kW and 80.55°C and 632.75 kW. The values are tabulated below.

Hot water flow rate = 10 kg/s, $T_{h1} = 90^\circ\text{C}$, $T_{c1} = 20^\circ\text{C}$

Cold water flow rate kg/s	Cold water outlet temp. °C	Effectiveness	Heat transfer kW
5	70	0.714	1045.0
4	73.2	0.76	889.5
3	78.1	0.83	728.6
2.5	80.55	0.865	632.75

As the cold water flow rate is decreased, its outlet temperature increases and hence effectiveness increases. But the heat flow decreases.

Problem 12.25: For a heat exchanger using condensing steam at T_h heating water at a flow rate with a heat capacity of C_c and water entry temperature of T_{c1} derive an expression for T_{c2} in terms of NTU and T_h .

Solution : Using the above determine the exit temperature of cold water for steam condensing temperatures of 180, 160, 140 and 120°C for a heat exchanger which gave an outlet temperature of 90°C when heating water at a rate of 50 kg/s from 60°C with steam at 200°C.

$$\varepsilon = \frac{T_{c2} - T_{c1}}{T_h - T_{c1}} = 1 - e^{-\text{NTU}} \quad (\text{Capacity ratio} = 0)$$

where

$$\text{NTU} = UA/C_{\min}$$

$$\therefore T_{c2} = T_{c1} + (T_h - T_{c1}) (1 - e^{-\text{NTU}}) \quad \dots(A)$$

For a given exchanger and flow rate all quantities on RHS are known and hence T_{c2} can be calculated.

For the given exchanger, ($F = 1$, condenser)

$$Q = m_c c_c (T_{c2} - T_{c1}) = UA \times \text{LMTD}$$

$$\therefore UA = \frac{m_c c_c (T_{c2} - T_{c1})}{\text{LMTD}} = \frac{50 \times 4180 (90 - 60)}{\ln \frac{200 - 60}{200 - 90}} = 50403$$

$$\text{NTU} = UA/C_{\min}$$

Here C_c is C_{\min} (condensing)

$$\therefore \text{NTU} = 50403/(50 \times 4180) = 0.2412$$

This remains constant for the heat exchanger.

$$\therefore 1 - e^{-\text{NTU}} = 0.2143, \text{ using equation (A), for}$$

$$T_h = 200^\circ\text{C}, \quad T_{c1} = 60^\circ\text{C} \quad \therefore T_{c2} = 90^\circ\text{C}$$

Check for other values

T_h :	180	160	140	120
T_{c2} :	85.71	81.43	77.14	72.86

Check for $T_h = 120^\circ\text{C}$
 $Q = UA \text{ LMTD}$

Also $Q = m_c c_c (T_{c2} - T_{c1})$

$$\text{LMTD} = \frac{60 - 47.14}{\ln \frac{60}{47.14}} = 53.31$$

$$Q = 50403 \times 53.31 = 2.687 \times 10^6 \text{ W, also}$$

$$Q = 50 \times 4180 (72.86 - 60) = 2.687 \times 10^6 \text{ W}$$

so checks.

Problem 12.26: An air heater uses steam condensing at 110°C to heat air at a rate of 5 kg/s from 20°C to 75°C . It is desired to double the air flow at the same time achieve air outlet temperature of 75°C by increasing the steam condensation temperature. Determine the new condensing temperature $N \rightarrow \text{NTU}$.

Solution: For condensers $\varepsilon = 1 - e^{-N}$

$$\varepsilon = \frac{75 - 20}{110 - 20} = 0.6111 \quad \therefore N = 0.9445$$

As the air flow is doubled C_{\min} is doubled. UA remains the same.

So the new value of $N = 0.9445/2$ and $\varepsilon = 1 - e^{-N} = 0.3764$

$$\therefore \varepsilon = 0.3764 = \frac{75 - 20}{T_h - 20}$$

Solving $T_h = 166.12^\circ\text{C}$

Check: The heat flow has to be doubled. Also UA is the same and so LMTD has to be doubled.

$$\text{Old value of LMTD} = \frac{(110 - 20) - (110 - 75)}{\ln \frac{110 - 20}{110 - 75}} = 58.23^\circ\text{C}$$

$$\text{New value of LMTD} = \frac{(166.12 - 20) - (166.12 - 75)}{\ln \frac{166.12 - 20}{166.12 - 75}} = 116.46^\circ\text{C}$$

so checks.

Note: As the temperature increases the condensing pressure also increases. In this case the pressure increases from about 1.45 to about 7.2 bar. So the tubes may not withstand this pressure.

Problem 12.27: In an existing heat exchanger of counter flow type dry air is cooled from 70°C to 35°C at a rate of 1.2 kg/s using cold air at 15°C at a rate of 1.5 kg/s . It is desired to cool this stream by another 10°C by increasing the area with the same inlet conditions. Calculate the percentage increase in area.

Solution: This problem can be worked by LMTD or NTU method. The main assumption is that U remains unchanged and C_{\min}/C_{\max} are known. Entering the chart NTU can be determined. The ratio of NTU values is the same as ratio of areas as U and C_{\min} are the same.

Under the first operating conditions

$$\epsilon = \frac{70 - 35}{70 - 15} = \frac{35}{55} = 0.636, \quad C_{\min}/C_{\max} = 1.2/1.5 = 0.8$$

From chart $\text{NTU} = 1.5$

Under the altered conditions

$$\epsilon = \frac{70 - 25}{70 - 15} = \frac{45}{55} = 0.8182$$

corresponding $\text{NTU} = 3.21$

\therefore Area increase = 114%.

Note: (i) As all the four temperatures can be worked out these values can be checked using LMTD method

(ii) equations can be used to determine NTU, instead of using chart.

$$\text{As } N = \frac{1}{C - 1} \ln \frac{\epsilon - 1}{C\epsilon - 1}$$

These methods may be tried.

OBJECTIVE QUESTIONS

Choose the correct statement.

12.1 The overall heat transfer coefficient is the

- | | |
|--|--|
| (a) sum of all resistances | (b) sum of all conductances |
| (c) sum of the convection coefficients | (d) resistance due to the wall material. |

- 12.2** The range of value of overall heat transfer coefficients fall in the following increasing order
 (a) boiling or condensation to liquid, liquid to gas, liquid to liquid, gas to gas.
 (b) liquid to liquid, gas to gas, boiling or condensation to liquid, liquid to gas
 (c) gas to gas, liquid to gas, liquid to liquid, Boiling or condensation to liquid
 (d) boiling or condensation to liquid, Liquid to gas, gas to gas liquid to liquid.
- 12.3** The decreasing order of effectiveness for a given situation among types of heat exchangers is
 (a) parallel flow, cross flow, shell and tube, counter flow
 (b) cross flow, counter flow, shell and tube, parallel flow
 (c) counter flow, shell and tube, cross flow, parallel flow
 (d) counter flow, cross flow, shell and tube, parallel flow.
- 12.4** When one of the fluid is condensing the best flow arrangement is
 (a) counter flow (b) parallel flow
 (c) cross flow (d) all are equal.
- 12.5** Thermodynamically the type which leads to lower loss in availability is
 (a) parallel flow (b) counter flow
 (c) cross flow (d) shell and tube.
- 12.6** The Net Transfer Unit is (NTU)
 (a) $U.C_{\min}/A$ (b) UA/C_{\min}
 (c) AC_{\min} (d) U/AC_{\min} .
- 12.7** Effectiveness of a heat exchanger is
 (a) actual heat transfer/heat content of hot fluid
 (b) actual heat transfer/heat content of cold fluid
 (c) actual heat transfer/heat content of higher heat capacity fluid
 (d) actual heat transfer/heat transfer when minimum heat capacity fluid goes through the maximum temperature difference in the exchanger.
- 12.8** Cross flow exchangers are popularly used for heat transfer
 (a) liquid and liquid (b) liquid and evaporating fluid
 (c) condensing fluid and liquid (d) gas and gas or liquid and gas.
- 12.9** The minimum heat transfer area for a given situation is for
 (a) parallel flow (b) counter flow
 (c) cross flow (d) shell and tube.
- 12.10** Effectiveness is generally represented by (with in usual notations)
 (a) $\frac{C_h}{C_{\min}} \frac{T_{h1} - T_{h2}}{T_{c2} - T_{c1}}$ (b) $\frac{C_c}{C_{\min}} \frac{T_{c2} - T_{c1}}{T_{h1} - T_{h2}}$
 (c) $\frac{C_h}{C_{\min}} \frac{T_{h1} - T_{h2}}{T_{h1} - T_{c1}}$ (d) $\frac{C_c}{C_{\min}} \frac{T_{h1} - T_{c2}}{T_{h2} - T_{c1}}$.
- 12.11** The flow direction is immaterial in the case of heat exchange from
 (a) Wet or saturated steam to water (b) Water to gas
 (c) Oil to water (d) Oil to gas.

Answers

1. (b) 2. (c) 3. (c) 4. (d) 5. (b) 6. (b)
 7. (d) 8. (d) 9. (b) 10. (c) 11. (a).

EXERCISE PROBLEMS

- 12.1** The inlet and outlet temperatures of the hot and cold fluids in a double pipe heat exchanger are 180°C, 20°C and 140°C and 80°C respectively. Determine the ratio of heat capacities and the LMTD assuming (i) counter flow and (ii) parallel flow. Also determine the effectiveness.
- 12.2** For the data of problem 12.1, determine the area ratio for the two flow arrangements. Also determine the Limiting values of outlet temperatures for the two flow arrangements.
- 12.3** If the heat capacity of the hot fluid for the heat exchanger of 12.1 was 6000 W/K. determine the value of NTU for the two flow arrangements.
- 12.4** If the overall heat transfer coefficient was 600 W/m² K, for the exchanger of 12.1, determine the areas for (i) parallel flow (ii) counter flow (iii) one shell pass and two tube passes type of exchangers (use data of 12.3 also).
- 12.5** In a heat exchanger of double tube arrangement the inner tube is of 25 mm *ID* and 30 mm *OD*. The outer pipe is of 50 mm *ID*. Hot water flows inside at a rate of 1 l/s and cold water flows at a rate of 2 l/s in the annular space. The inlet temperatures of the hot and cold water are 30°C and 80°C. The tube is 3 m long and is made of material with a conductivity of 40.5 W/mK. Determine the overall heat transfer coefficient for the exchanger assuming that its performance has to be guaranteed for 3 years.
- 12.6** A cross flow heat exchanger with a tube bank of 10 tube depth uses hot flue gases to heat water flowing inside the tubes. The tubes are of 50 mm *ID* and 58 mm *OD* made of material of conductivity 47 W/mK. The tubes are arranged in a square array of pitch of 95 mm. The hot gases at 280°C approach the bank with a velocity of 10 m/s. The velocity of water inside is 1.2 m/s. The water entry is at 40°C. Assume that water is pressurised and boiling does not occur. Determine the overall heat transfer coefficient.
- 12.7** A heat exchanger of the counter flow type with inlet temperatures of hot and cold fluids of 200°C and 50°C gave outlet temperature of 100°C for both fluids when the surfaces were clean. After some extended use for the same flow rate and inlet temperatures, the hot fluid outlet was 120°C. Determine the percentage change in the value overall heat transfer coefficient and the heat transfer.
- 12.8** A clean heat exchanger of counter flow type gave the following inlet and outlet temperatures for the hot and cold fluids. 200°C, 50°C and 100° for both. If the overall heat transfer coefficient decreased to 80% of the original value due to fouling determine the outlet temperature of the fluids.
- 12.9** A chemical solution with a specific heat of 3200 J/kg K at 100°C is to be cooled to 60°C at a rate of 30,000 kg/hr using cold water at 30°C with its outlet limited to 50°C. If the overall heat transfer coefficient has a value of 260 W/m² K, determine the area required for (i) counter flow (ii) parallel flow and (iii) one shell pass and four tube pass arrangements. Solve the problem using LMTD method and check using NTU method.
- 12.10** Hot water is used to heat air for comfort conditioning in a heat exchanger of the cross flow type with outside air flow. The flow rate of air is 17000 kg/hr and is to be heated from – 10°C to 22°C. Hot water enters at 62°C and leaves at 30°C.
The overall heat transfer coefficient has a value of 60 W/m² K. Determine the area required if the air flow is (i) unmixed and (ii) mixed. Solve using LMTD method and check using NTU method.
- 12.11** In a tubular air heater cold air at 2 bar and 20°C flows through the inside of 2.5 cm *ID* pipes entering at a velocity of 6 m/s. 20 pipes of 3 m length are used in the bundle. Hot gases at 90°C flows across the tube bank at 1.33 times the cold air flow rate. The overall heat transfer coefficient based on inside area of tubes has a value of 82 W/m² K. Determine the fluid exit temperatures for (i) hot gas side unmixed and (ii) hot gas side mixed.
- 12.12** A cross flow heat exchanger of area 4.71 m² has a heat transfer rate of 6.6 kW, when heating 0.14 kg/s of air from 20°C using hot gases at 90°C, the overall heat transfer coefficient being 82

- $W/m^2 K$. The gas flow rate is 1.33 times the air flow rate. Determine the area required for maintaining the same heat flow rate when cold air rate and inlet temperatures are maintained but the gas flow rate is changed to (i) the same as air flow rate (2) twice the air flow rate. Assume both fluids unmixed, and property values of gas to be equal to that of air.
- 12.13** For the heat exchanger specified in 12.12, Determine the heat flow rate and exit temperatures if inlet temperature of the fluids are changed to
(i) $20^\circ C$ and $110^\circ C$ (ii) $30^\circ C$ and $90^\circ C$ and (iii) $30^\circ C$ and $80^\circ C$. Assume both fluids unmixed.
- 12.14** A counter flow heat exchanger with $UA = 1300 W/K$ is used to heat water from $20^\circ C$ to a temperature not exceeding $93^\circ C$. Using hot air at $260^\circ C$ at a rate of $1620 kg/hr$. Calculate the water flow rate and gas exit temperature.
- 12.15** A shell and tube heat exchanger with two shell passes and four tube passes cools a chemical with a specific heat of $2385 J/kg K$ at a rate of $1.25 kg/s$ from $140^\circ C$ to $80^\circ C$, using water at $35^\circ C$. The outlet temperature of the water is $85^\circ C$. Determine the area of heat exchanger if $U = 800 W/m^2 K$. If the unit is operated with flow rates doubled, determine the heat transfer. Also determine the heat transfer if the chemical flow rate is increased by 20%.
- 12.16** An automobile radiator cools water from $65^\circ C$ to $40^\circ C$ at a rate of $0.2 kg/s$ using air in cross flow with inlet at $23^\circ C$. The overall heat transfer coefficient has a value of $73 W/m^2 K$. The air flow rate at this speed when the automobile was travelling at $80 kmph$ was $2.4 kg/s$. Determine the area required. Assume both fluids unmixed. If the mass flow of air is proportional to the speed, what will be the heat flow rate at $40 kmph$ if the inlet temperatures and water flow rates are the same. Assume that the overall heat transfer coefficient varies as the 0.8 power of speed.
- 12.17** A comfort air conditioner uses air cooled condenser of the cross flow type with finned tubes. The refrigerant condenses at $40^\circ C$, with heat transfer rate of $12 kW$. Air at $28^\circ C$ is used and is heated to $34^\circ C$. Determine the area required if the overall heat transfer coefficient has value of $125 W/m^2 K$.
During the cooler season air is available at $22^\circ C$ with the same flow rate maintained by the fan. Determine the condensing temperature if the same heat rate is to be maintained.
- 12.18** The evaporator of an air conditioner operates at $5^\circ C$. The cooling rate required is $10 kW$. Air at $26^\circ C$ is to be cooled to $12^\circ C$ for the conditioning process. The value of overall heat transfer coefficient is $96 W/m^2 K$. Determine the area required. The unit is cross flow type with finned tubes. Assume that condensation does not occur.
During mild weather the load reduces to $6 kW$. The air flow rate and inlet temperatures remain unaltered. Determine the evaporation temperature for steady state operation at this load.
- 12.19** A recuperative air heater having an area of $100 m^2$ with an overall heat transfer coefficient of $45 W/m^2 K$ is used to heat air at a rate of $2.5 kg/s$ from $40^\circ C$. Using gases of same heat capacity available at $220^\circ C$. Determine the exit temperatures.
- 12.20** In a counter flow heat exchanger a cool stream of water at $5^\circ C$ is heated using a hot stream at $60^\circ C$. The flow rate of cold stream is twice that of the hot stream the flow rate of which is $1.3 kg/s$. If the heat transfer rate is $150 kW$ and the overall heat transfer coefficient is $800 W/m^2 K$, determine the area required. Also determine the effectiveness. If the flow rate of cold stream is reduced by 12.5% determine the exit temperatures and the heat flow rate.
- 12.21** In a heat exchanger of the counter flow type the hot fluid is cooled from $260^\circ C$ to $120^\circ C$ while the cold fluid is heated from $20^\circ C$ to $90^\circ C$. Determine the effectiveness of the heat exchanger and the heat flow if the hot fluid heat capacity is $10,000 W/K$.
Determine the exit temperatures if
(i) Both fluid flows are doubled (ii) hot fluid flow alone is doubled
(iii) fluid flows are halved. (iv) cold fluid flow alone is doubled.
- 12.22** A steam condenser is designed to condense $1 kg/s$ of steam at $65^\circ C$ using cooling water at $25^\circ C$. The water outlet temperature is to be limited to $40^\circ C$. Calculate the area if the overall heat transfer coefficient is $2600 W/m^2 K$. The enthalpy of evaporation at $65^\circ C$ is $2346.2 kJ/kg$. If the

- water temperature is reduced to 18°C calculate the water flow rate for maintaining the same condensation rate.
- 12.23** In problem 12.22 if the condensation temperature is reduced to 50°C with the same water inlet temperature determine the flow rate required for the same condensation rate. The enthalpy of evaporation is 2382.7 kJ/kg .
- 12.24** A finned tube air heater is available with the following specifications: Area. 10 m^2 . The overall heat transfer coefficient based on this area is $62\text{ W/m}^2\text{ K}$.
Water at a rate of 1 kg/s available at 60°C and air at 2 kg/s to be heated from -10°C . Determine the exit temperature of the fluids and the heat flow.
- 12.25** For the heat exchanger specified in problem 12.24, determine the exit temperature for the same flow rates for the following water and air inlet temperature combination.
(i) 70°C , 0°C , (ii) 50°C , -20°C (iii) 40°C , -30°C . Also calculate the heat flow under these conditions.
- 12.26** For the heat exchanger specified in problem 12.14, determine the exit temperatures and the heat flow rates for the following flow combinations of hot and cold fluids: per second.
(i) 1 kg and 1 kg , (ii) 0.5 kg and 2 kg (iii) 2 kg and 2 kg and (iv) equal heat capacities.
The inlet temperatures are 60°C and -10°C .
- 12.27** A heat exchanger with 20 m^2 area with an overall heat transfer coefficient of $800\text{ W/m}^2\text{ K}$ has hot water at 93°C available at 5 kg/s . Cold water at 25°C is to be heated. Determine the heat transfer for the following flow rates of cold water: 2.5 , 3.75 , 6.25 , and 7.5 kg/s .
Also determine the outlet temperature of cold water in these cases.
- 12.28** 1 kg/s of water of 80°C and 1 kg/s of water at 60°C are available to heat cold water at a rate of 1.33 kg/s from 20°C .
Two exchangers each with area of 2 m^2 are available, with overall heat transfer coefficient of $836\text{ W/m}^2\text{ K}$.
Investigate the following arrangements in terms of heat flow and outlet temperature. (Fig. E. 12.28).

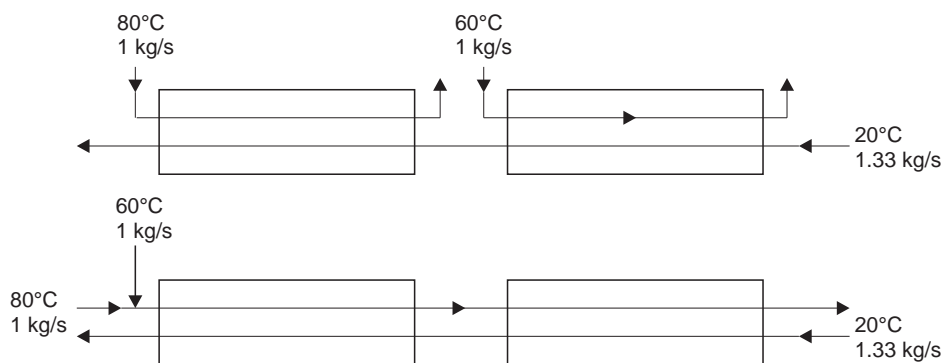


Fig. E. 12.28

- 12.29** A heat exchanger cools 1.25 kg/s of a chemical with a specific heat of 2365 J/kg K from 140°C to 80°C , using water which heats up from 35°C to 85°C . The overall heat transfer coefficient has a value of $800\text{ W/m}^2\text{ K}$. If the flow rate of the hot fluid is reduced to 0.5 kg/s . What should be the inlet temperature of water so that its outlet temperature is maintained at 85°C . The water flow rate is not altered. Assume shell and tube exchanger with 4 tube passes.
- 12.30** A heat exchanger is to be designed to heat air at a rate of 10 kg/s from 27°C using hot gases at 375°C at the rate of 10 kg/s with an overall heat transfer coefficient of $50\text{ W/m}^2\text{ K}$. If the area is chosen as 200 m^2 , determine the heat transfer and exit temperature for the following types.

- (i) Shell and tube with one shell pass and 4 tube passes
- (ii) cross flow with both fluids unmixed.
- (iii) cross flow with one fluid unmixed.

Assume that the property values of the gases are the same as that of air.

- 12.31** A heat exchanger with an area of 29 m^2 is used to heat water at a rate of 5 kg/s from 30°C to 80°C using steam condensing at 100°C . Determine the overall heat transfer coefficient required to obtain this performance. If the flow rate is changed to 1.5 kg/s with an overall heat transfer coefficient of 80% of the original value and if the water exit temperature is to be 80°C , determine the water inlet temperature.
- 12.32** Considering data of problem 12.31, determine the condensing temperature which will give the same exit temperature at the altered flow condition, the inlet being at 30°C .
- 12.33** A double tube heat exchanger has hot and cold air enter at 200°C and 35°C respectively. The flow rate of hot air is 0.75 kg/s and that of the cold air is 1.5 kg/s . Determine the maximum possible heat flow for (i) parallel flow and (ii) counter flow. For an area of 2.1 m^2 determine the outlet fluid temperatures and heat flow if in both cases. $U = 180 \text{ W/m}^2\text{K}$.
- 12.34** In an ocean thermal plant 2 kW of electricity is to be generated using a vapour boiler. The plant overall efficiency is 3%. Evaporation takes places at 17°C using water at 27°C . The water outlet is at 19°C . Determine the flow rate required. Determine the area required assuming $U = 1200 \text{ W/m}^2\text{K}$. At half load if the efficiency falls to 2% and if the inlet temperature and evaporation temperatures are maintained as at full load, determine the flow rate and water outlet temperature.
- 12.35** In a recuperative air heater with cross flow arrangement cold air at a rate of 10 kg/s is heated from 30 to 210°C as it flows inside the tubes. Hot gases pass across the tubes and are cooled from 360°C to 160°C . Assuming an overall heat transfer coefficient of $140 \text{ W/m}^2\text{K}$, determine the area required when (i) the gases are mixed and (ii) both fluids are unmixed. Assume gas properties to be same as that of air.
- 12.36** In a water heater using hot combustion gases, the capacity ratio is 0.04 for gas to water, the water flow rate being 12 kg/s . The entry temperature for the gas and water are 400°C and 30°C . If $UA = 3850 \text{ W/K}$, determine the exit temperature and the heat flow, if the exchanger is (i) counter flow (ii) parallel flow and (iii) cross flow with gas flow mixed.
- 12.37** For the data of problem 12.36 case (iii), if the capacity ratio is changed to 0.05, determine the outlet temperature and the heat flow.
- 12.38** An oil with $C = 2100 \text{ J/kg K}$ is to be cooled from 82°C to 39°C at rate of 5 kg/s . A cooler having an area of 28 m^2 is available. Water at 27°C is to be used for the cooling process. If the estimated value of overall heat transfer coefficient is $550 \text{ W/m}^2\text{K}$, determine the water flow rate required for the process. Assume counter flow arrangement.
- 12.39** In a storage type heat exchanger, the bed is 1 m^2 in area and 2 m long. The specific heat of the solid is 445 J/kg K while air is the fluid used. The surface area per unit length of matrix is 40 m^2 and the mass flow rate of the fluid is 5 kg/s . The mass of solid for m length is 1200 kg . The solid was initially at 200°C and the gas temperature at entry is 600°C . Determine the time required for the matrix at mid point to reach 400°C and also determine the gas temperature at this location at that time. The convective heat transfer coefficient has a value of $82 \text{ W/m}^2\text{K}$.

[Ans: 170s, 512°C]

13

THERMAL RADIATION

13.0 INTRODUCTION

The process by which heat is transferred from a body by virtue of its temperature, without the aid of any intervening medium, is called thermal radiation. The physical mechanism of radiation is only partially understood.

Sometimes radiant energy is taken to be transported by electromagnetic waves while at other times it is supposed to be transported by particle like photons. Radiation is found to travel at the speed of light in vacuum. The speed c is about 3×10^8 m/s. When considered as wave phenomenon, the wavelength λ is c/ν where ν is the frequency in cycles per second. When considered as a photon, the energy of each photon is given by $e = h\nu$ where h is Planck's constant equal to 6.625×10^{-34} Js and ν is the frequency in cycles/second. The energy can also be expressed in terms of wavelength as

$$\nu = c/\lambda \quad \text{or} \quad c = \lambda\nu$$

The term "Electromagnetic radiation" encompasses many types of radiation namely short wave radiation like gamma ray, x-ray, microwave, and long wave radiation like radio wave and thermal radiation. The cause for the emission of each type of radiation is different. Thermal radiation is emitted by a medium due to its temperature.

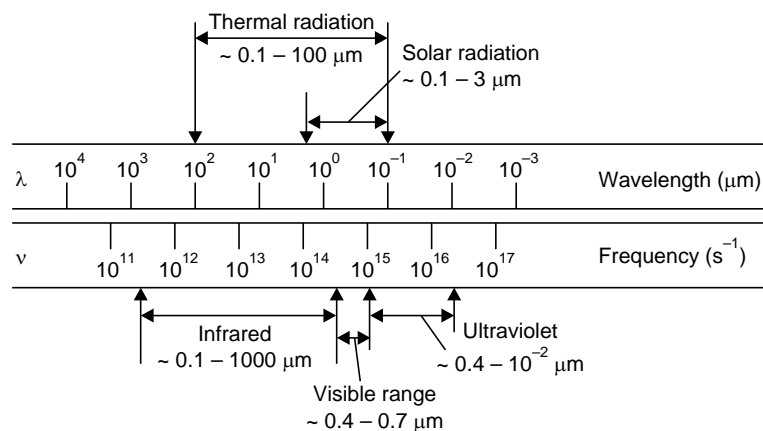


Fig. 13.1. Typical spectrum of electromagnetic radiation due to temperature of a body.

Thermal radiation is emitted in the range of wavelengths from 0.1 to 100 micrometers (μm). The lower range is ultraviolet and the upper range is infrared while the range of 0.4 to 0.7 μm covers the visible region. The total energy radiated at any temperature (emissive power) is found to be distributed all over the wavelengths. The energy radiated at any wavelength is known as monochromatic emissive power. The distribution is known as spectral distribution. The spectral

The spectral distribution is found to depend on the temperature. As temperature increases a larger fraction of radiation is emitted at lower wavelengths. For example in solar radiation, most of the energy is emitted at wavelengths below 3 μm .

Figure 13.1 shows the distribution of radiation with wave length (or the electromagnetic spectrum).

13.1 BLACK BODY

This is a concept and no such body exists in nature. Black body is an ideal radiator which emits the maximum possible amount of radiation at any given wavelength at any given temperature. Such a body is also found to absorb all the radiation incident upon it at any wavelength and temperature.

Using this concept an artificial black body can be created by a cavity with a small opening in a body at a uniform temperature. Any radiation entering the cavity will be absorbed by repeated reflection and none of it will escape back through the small opening.

For equilibrium the same amount of energy should be radiated. Hence this can be considered to emit black body or maximum radiation.

Such an arrangement therefore can be taken as a black body source for calibration and standardisation

13.1.1. Black body radiation: The radiant energy emission per unit area and unit time from black body over all the wavelengths is defined as its **total emissive power** and is denoted as E_b . The radiant energy emission at any wavelength λ is known as **monochromatic emissive power** and denoted as $E_{b\lambda}$.

The variation of monochromatic emissive power with wave length is given by Planck's law derived in 1900 using quantum theory. The monochromatic emissive power at any given wavelength and temperature is given by

$$E_{b\lambda}(T) = C_1 / [\lambda^5 (e^{C_2/\lambda T} - 1)] \quad \dots(13.1)$$

Where $E_{b\lambda}(T)$ is monochromatic emissive power at wave length λ and temperature T , $\text{W/m}^2/\text{m}$

λ —Wavelength, m

C_1 —First radiation constant = $3.7415 \times 10^{-16} \text{ Wm}^2$

C_2 —Second radiation constant = $1.4388 \times 10^{-2} \text{ mK}$.

This distribution for several temperatures is shown in Fig. 13.2. The distribution has a maximum value at some wavelength. As the temperature increases, the maximum value is found to occur at lower wavelengths. The area below any one curve given the total emissive power at the corresponding temperature.

The wavelength at which the maximum value of $E_{b\lambda}$ occurs at any given temperature can be determined by differentiating the expression 13.1 with respect to λ and equating it to zero. This gives the value of

$$\lambda_{\max} T = 2.898 \times 10^{-3} \text{ mK} = \text{constant} \quad \dots(13.2 (a))$$

This relationship is known as Wien's displacement law. It is seen that λ_{\max} decreases as T increases. Substituting this value in equation (13.1) we get

$$E_{b\lambda \max T} = 12.87 \times 10^{-6} T^5 \text{ W/m}^3 \quad \dots(13.2 (b))$$

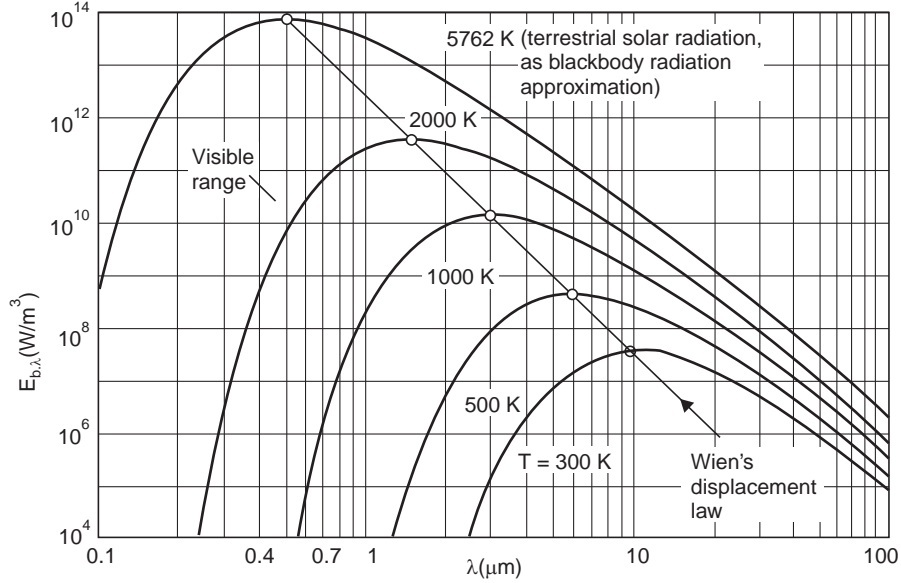


Fig. 13.2. The effects of wavelength and temperature on the monochromatic hemispherical blackbody emissive power, and the meaning of Wien's displacement law.

13.1.2. Black body emissive power: The basic relationship known as **Stefan-Boltzmann's equation** for black body emissive power is given by

$$E_b = \sigma T^4 \quad \dots(13.3)$$

Where σ is a constant = $5.67 \times 10^{-8} \text{ W/m}^2 \text{ K}^4$ in SI units and E_b is the total emissive power in W/m^2 and T is the temperature in K.

This relationship can be verified using equation (13.1) in the integral given in equation (13.4), which leads to Stefan-Boltzmann's equation.

$$E_b = \int_0^\infty E_{b\lambda} d\lambda \quad \dots(13.4)$$

13.1.3. Another use of the relationship is the determination of radiant energy emission in a wave length range λ_1 and λ_2 . This is obtained by using equation (13.4) with limits λ_1 and λ_2 . This process is shown in Fig. 13.3.

$$E_{b(\lambda_1 - \lambda_2)} = \int_{\lambda_1}^{\lambda_2} E_{b\lambda} d\lambda = \int_0^{\lambda_2} E_{b\lambda} d\lambda - \int_0^{\lambda_1} E_{b\lambda} d\lambda \quad \dots(13.5)$$

A more practical way is the determination of this quantity in a non dimensional form as a fraction of emissive power at the same temperature. In this attempt the analysis leads to the relation.

$$\frac{E_{bT(0-\lambda_1 T)}}{\sigma T^4} = \int_0^{\lambda_1 T} \frac{E_{b\lambda}}{\sigma T^5} d(\lambda T) \quad \dots(13.6)$$

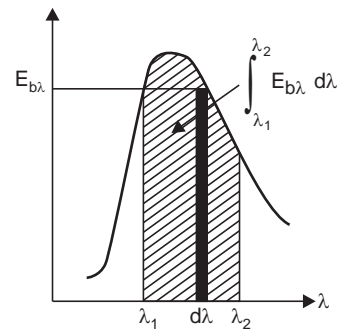


Fig. 13.3. Radiation emission in a given wavelength range.

The result of the integration is available in both graphical and numerical forms with λT as the independent variable. The tabulation or chart can be used to determine the energy radiated in any band ($\lambda_1 - \lambda_2$) at any temperature, T , the values are shown in Table 13.1.

Table 13.1. Blackbody Radiation Functions

$\lambda T, \mu m K$	$\frac{E_b(0 \rightarrow \lambda T)}{\sigma T^4}$	$\lambda T, \mu m K$	$\frac{E_b(0 \rightarrow \lambda T)}{\sigma T^4}$
200	0.341796×10^{-26}	6200	0.754187
400	0.186468×10^{-11}	6400	0.769234
600	0.929299×10^{-7}	6600	0.783248
800	0.164351×10^{-4}	6800	0.796180
1000	0.320780×10^{-3}	7000	0.808160
1200	0.213431×10^{-2}	7200	0.819270
1400	0.779084×10^{-2}	7400	0.829580
1600	0.197204×10^{-1}	7600	0.839157
1800	0.393449×10^{-1}	7800	0.848060
2000	0.667347×10^{-1}	8000	0.856344
2200	0.100897	8500	0.874666
2400	0.140268	9000	0.890090
2600	0.183135	9500	0.903147
2800	0.227908	10000	0.914263
3000	0.273252	10500	0.923775
3200	0.318124	11000	0.931956
3400	0.361760	11500	0.939027
3600	0.403633	12000	0.945167
3800	0.443411	13000	0.955210
4000	0.480907	14000	0.962970
4200	0.516046	15000	0.969056
4400	0.548830	16000	0.973890
4600	0.579316	18000	0.980939
4800	0.607597	20000	0.985683
5000	0.633786	25000	0.992299
5200	0.658011	30000	0.995427
5400	0.680402	40000	0.998057
5600	0.701090	50000	0.999045
5800	0.720203	75000	0.999807
6000	0.737864	100000	1.000000

Example 13.1: Determine the maximum value of $E_{b\lambda}$ at a temperature of 1400 K. Also determine the value at a wavelength of 4×10^{-6} m.

Solution: Using Wien's law $\lambda_{\max} = 2.898 \times 10^{-3}/1400 = 2.07 \times 10^{-6} \text{ m}$
substituting in equation (13.1)

$$E_{b\lambda} = \frac{3.7415 \times 10^{-16}}{(2.07 \times 10^{-6})^5 [e^{(1.4388 \times 10^{-2}/2.898 \times 10^{-3})} - 1]} = 6.919 \times 10^{10} \text{ W/m}^2/\text{m}$$

Check: Using eqn. (13.2 (b))

$$E_{b\lambda_{\max}} = 12.87 \times 10^{-6} (1400)^5 = 6.922 \times 10^{10} \text{ W/m}^2/\text{m}$$

At 4 micrometer

$$E_{b\lambda} = \frac{3.7415 \times 10^{-16}}{(4 \times 10^{-6})^5 [e^{(1.4388 \times 10^{-2}/1400 \times 4 \times 10^{-6})} - 1]} = 3.031 \times 10^{10} \text{ W/m}^2/\text{m}.$$

Example 13.2: Determine the radiant energy emission between wavelengths 2 to 5 μm at 1400 K by a black body of area 1 m^2 .

Solution: $\lambda_1 T = 1400 \times 2 \times 10^{-6} = 2.8 \times 10^{-3} \text{ mK} = 2800 \mu\text{mK}$
 $\lambda_2 T = 1400 \times 5 \times 10^{-6} = 7 \times 10^{-3} \text{ mK} = 7000 \mu\text{mK}$

referring to the Table 9.1 the fractional quantities at these values are read as 0.2281 and 0.8081

$$i.e., \quad \frac{E_{b(0-2)}}{E_b} = 0.2279 \text{ and } \frac{E_{b(0-5)}}{E_b} = 0.80816$$

$$\therefore \quad \frac{E_{b(2-5)}}{E_b} = 0.80816 - 0.2279 = 0.58026$$

Radiant energy emission in this range is

$$q = 0.58026 \times 5.67 \times 10^{-8} \times (1400)^4 = 126391 \text{ W/m}^2 \text{ or } 126.391 \text{ kW/m}^2$$

Emissive power at 1400 K is 217.819 kW/m^2 using (σT^4)

About 60% of the energy is emitted in this wave band.

Example 13.3: Window glass is found to transmit radiant energy in the wave lengths of 0.4 to 2.5 μm . Determine the fractions transmitted for a source temperature of (i) 5000 K (ii) 300 K.

Solution: (i) at 5000 K, $\lambda_1 T = 5000 \times 0.4 = 2000 \mu\text{mK}$

$$\lambda_2 T = 5000 \times 2.5 = 12500 \mu\text{mK}$$

From tables the corresponding fractions are

0.0667347 and 0.9502

\therefore **Fraction transmitted = 0.88345**

(ii) at 300 K

$$\lambda_1 T = 120 \mu\text{mK}, \quad \lambda_2 T = 750 \mu\text{mK}$$

At these values the fractions are zero as read from tables. Radiant energy will not be transmitted out by the glass at this temperature and the glass is opaque for such radiation.

This is the principle of green house effect. High temperature radiant energy will be transmitted while low temperature radiation is cut off.

The difference between these two goes to increase the temperature of the space covered by glass. Other materials like CO_2 also transmit selectively. Solar energy is let in by the CO_2 laden atmosphere, while the earth's radiation is trapped. This leads to warming up of the atmosphere.

13.2 INTENSITY OF RADIATION

The radiant energy emitted from a surface travels all over the space. This is also called diffuse radiation. When the quantity of energy transferred is to be calculated, the energy emitted in a given direction becomes the basic parameter. **The energy emitted per unit solid angle in a direction is defined as the intensity of radiation in that direction.** Using the definition, a relationship between emissive power and intensity of radiation can be established.

Consider a small black differential area dA_1 . Let a hemisphere of radius r with its centre at the centre of dA_1 be placed over this area. All the energy emitted by dA_1 is intercepted by the hemispherical surface and is equal to $E_b \times dA_1$ (Fig. 13.4)

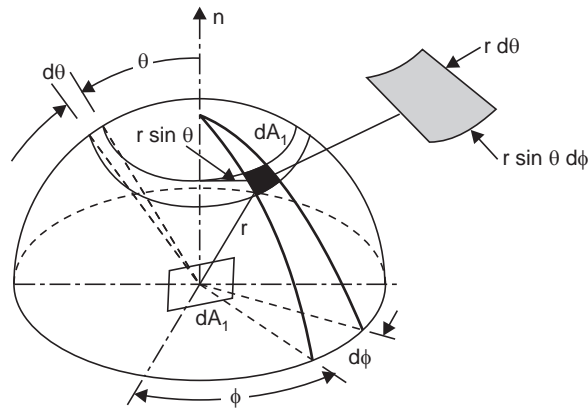


Fig. 13.4. Radiation from a differential are dA_1 to a hemisphere with center at dA_1 .

Consider the radiation intercepted by small shaded area between angle ϕ and $\phi + d\phi$ and θ and $\theta + d\theta$.

The area is $r \sin \theta \cdot d\phi \cdot r d\theta$

The solid angle $d\omega = \text{area}/r^2 = \sin \theta d\theta d\phi$

The projected area of dA_1 in the direction considered is $dA_1 \cos \theta$

If intensity of radiation is I , then the total energy intercepted by this area is given by $d\omega I dA_1 \cos \theta$. Integrating over the hemisphere and dividing by dA_1

$$\begin{aligned} E &= \int_0^{2\pi} \int_0^{\pi/2} I \cos \theta \sin \theta d\theta \cdot d\phi \\ &= \int_0^{2\pi} I d\phi \left[\frac{\sin^2 \theta}{2} \right]_0^{\pi/2} = \int_0^{2\pi} \frac{I}{2} d\phi = \pi I \end{aligned}$$

$$\therefore \mathbf{E = \pi I} \quad \dots(13.7)$$

This is an important relation used in the calculation of radiant heat transfer between surfaces.

13.3 REAL SURFACES

Solids and liquids emit radiation from the surface, with the material involved limited to a small thickness at the surface. Gases however emit radiation over the whole volume. Real surfaces radiate less energy as compared to black surface at the same temperature. The surfaces also do not have a regular spectral distribution.

Some of the surfaces radiate only in limited wave bands. Some samples of real surface monochromatic emission is shown in Fig. 13.5. Curve *A* represents black body radiation. Curves *B*, *C* and *D* represent different surface characteristics.

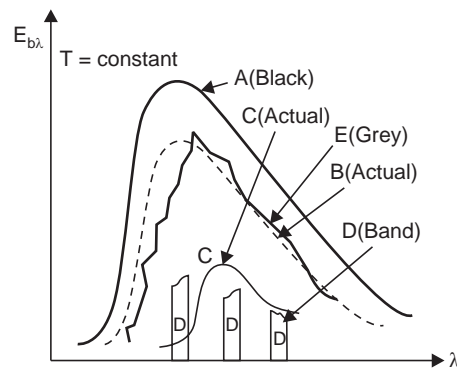


Fig. 13.5. Monochromatic emissive power of different surfaces at temperature T .

Curve *B* represents a more uniform behaviour. Curve *D* represents what is known as band radiation. The emissive power of these surfaces are obtained by the area below the spectral distribution curve. As it is difficult to deal with such non uniform behaviour, a **fictitious surface called gray body is defined for general use. A gray surface is one whose monochromatic emissive power at all wavelengths is the same fraction of the black body monochromatic emissive power.** This is shown as curve *E* in Fig. 13.5..... . The ratio of ordinates of curves *A* and *E* at any wavelength is the same. Such a surface does not exist. But real surfaces are approximated to gray surfaces in practical applications.

The ratio E/E_b is known as emissivity (ϵ) of a surface. Though emissivity of a surface will vary with temperature for general application an average value is used in practice. The emissivity value for various surfaces are listed in hand books and data books. Values for same surfaces is given Table 13.2

$$\epsilon = E/E_b \quad \dots(13.8)$$

Table 13.2. Hemispherical Emissivities of various surfaces.

Material	Temperature		
	310 K	530 K	800 K
Aluminium, polished	0.04	0.05	0.08
Aluminium oxidised	0.11	0.12	0.18
Copper polished	0.04	0.05	0.18
Copper oxidised	0.87	0.83	0.77
Iron polished	0.06	0.08	0.13

Cast iron oxidised	0.63	0.66	0.76
Steel rough	0.94	0.97	0.98
Silver polished	0.01	0.02	0.03
Stainless steel 18-8	0.15	0.18	0.22
polished			
Stainless steel weathered	0.85	0.85	0.85

13.3.1. Radiation properties: Radiant energy incident on a body may generally be used up in three ways. Part of the energy may be absorbed, part reflected and the remaining quantity may be transmitted.

The fraction of incident radiant energy that is absorbed by the body is called absorptivity of the surface (α);

The fraction reflected is called reflectivity (ρ);

The fraction transmitted is called transmissivity (τ);

These properties at a particular wave length are called monochromatic properties *i.e.* α_λ , ρ_λ , and τ_λ).

In general application the total properties are used. However for special applications monochromatic properties should be used. For example generally it is assumed that $\alpha_\lambda = \alpha$ but it need not be so always and the value of α_λ as measured should be used in specialised applications.

Generally for all surfaces $\alpha + \rho + \tau = 1$... (13.9 (a))

For opaque surfaces $\alpha + \rho = 1$... (13.9 (b))

For black surfaces $\alpha = 1$... (13.9 (c))

Kirchhoff's law: An important relationship between emissivity and absorptivity was postulated by Kirchhoff. The statement of the law is

“The absorptivity of a surface at a temperature and wavelength is equal to the emissivity of the surface at the same temperature and wavelength”.

The proof is given under solved problems 13.1.

For practical application this statement is simplified as

$$\epsilon = \alpha \quad \dots(13.10)$$

Monochromatic values should be used for critical design situations.

Presently surfaces are being developed which do not follow the general statement of $\alpha = \epsilon$ but $\alpha_{\lambda T} = \epsilon_{\lambda T}$. This is because emissivity depends on the surface temperature while absorptivity depends on the source temperature. These are called selective surfaces. These surfaces have different values of emissivity at different wavelengths. Particularly the emissivity is high at short wavelengths while it is low at longer wavelengths.

These surfaces are known to have high absorptivity and emissivity for high temperature (short wavelength radiation), but low emissivity for low temperature (longer wave length) radiation. Such a solar collector surface will absorb a large fraction of incident solar radiation, but will not radiate out much at the lower collector temperature.

Example 13.4: A solar collector surface has an absorptivity of 0.85 for wave lengths upto 3 μm and a value of 0.15 for wave lengths above this value. Determine assuming Kirchoff's law holds good, the energy absorbed from a source at 5800K if the flux is 800 W/m^2 . Also determine the energy radiated by the body if its temperature was 350 K.

Solution. The fraction $\frac{E_{b(0-3)}}{E_b}$ for $5800 \times 3 \mu\text{mK}$ is obtained from tables as 0.9780

$$\therefore \text{Energy absorbed} = (800 \times 0.978 \times 0.85) + (0.022 \times 0.15 \times 800) = \mathbf{667.68 \text{ W}}$$

The fraction $\frac{E_{b(0-3)}}{E_b}$ for 350 K is obtained from tables as 0.00057

$$\therefore \text{Energy radiated} = 0.00057 \times 0.85 \times 5.67 \times 10^{-8} \times 350^4 + 0.99943 \times 0.15 \times 5.67 \times 10^{-8} \times 350^4 = \mathbf{128 \text{ W}}$$

The loss is about 20%. If the emmissivity was 0.85 throughout, then loss is 723.22 W. This plate temperature of 350 K cannot be maintained at all.

Example 13.5: In example 13.4, determine the energy absorbed if the source was at 600 K and the flux was 800 W/m^2 .

Solution: The fraction $\frac{E_{b(0-3)}}{E_b}$ is determined from Tables as 0.0397

corresponding to $600 \times 3 = 1800 \mu\text{mK}$

$$\therefore \text{Energy absorbed} = 800 \times 0.0397 \times 0.85 + 800 \times (1 - 0.0397) \times 0.15 = \mathbf{142.23 \text{ W}}$$

As most of the energy incident is beyond 3 μm , the energy absorbed is low though the flux is the same.

Note: In addition to the source temperature the flux depends on the geometric location of the source relative to the surface.

Example 13.6: A surface has emissivities of 0.3 upto 2 μm and 0.85 between 2 and 4 μm and 0.5 beyond this wavelength. Determine the effective emissivity at 4000 K, 2000 K and 400 K.

Solution: (i) **4000 K.** The fraction upto 2 μm , and 4 μm are determined using the tables.

$$8000 \mu\text{m K} \rightarrow 0.856344$$

$$16000 \mu\text{m K} \rightarrow 0.97389$$

$$\begin{aligned} \therefore \text{Effective emissivity is} \\ &= 0.3 \times 0.856344 - 0.85 (0.97389 - 0.856344) + (1 - 0.97389) \times 0.5 \\ &= \mathbf{0.36982}. \end{aligned}$$

(ii) **2000 K**

$$4000 \mu\text{m K} \rightarrow 0.4809$$

$$8000 \mu\text{m K} \rightarrow 0.8563$$

$$\text{Effective emissivity} = 0.3 \times 0.4809 + 0.85 (0.8563 - 0.4809) + 0.5 (1 - 0.8563) = \mathbf{0.5352}$$

(iii) **400 K**

$$800 \mu\text{m K} \rightarrow \text{zero}$$

$$1600 \mu\text{m K} \rightarrow 0.02$$

$$\text{Effective emissivity} = 0.02 \times 0.85 + 0.5 (1 - 0.02) = \mathbf{0.507}.$$

13.3.2. The absorptivity and emissivity for actual surfaces may also vary with temperature and direction in addition to wavelength. For better estimates in design it is necessary to use the data available in hand books in chart and table forms for these properties for various surfaces.

Example 13.7: A directionally emitting surface has an emissivity of 0.6 for angles upto 45° from vertical and 0.2 for the rest of the range. Determine the total emissivity of the surface.

Solution: The total emissivity can be determined by integrating the local directional emissivities with respect to the angle θ with which the emissivity varies.

(The derivation is given under solved problems 13.2).

$$\varepsilon = 2 \int_0^{\pi/2} \varepsilon(\theta) \cos \theta \sin \theta \, d\theta$$

This is now split up into two integrals.

$$\begin{aligned} \varepsilon &= 2 \int_0^{\pi/4} 0.6 \cos \theta \sin \theta \, d\theta + 2 \int_{\pi/4}^{\pi/2} 0.2 \cos \theta \sin \theta \, d\theta \\ &= 2 \left[0.6 \frac{\sin^2 \theta}{2} \right]_0^{\pi/4} + 2 \left[0.2 \frac{\sin^2 \theta}{2} \right]_{\pi/4}^{\pi/2} = 0.4 \end{aligned}$$

This is also called total hemispherical emissivity.

13.4 RADIATION PROPERTIES OF GASES—ABSORBING, TRANSMITTING AND EMITTING MEDIUM

In a volume like the combustion furnace radiation exchange takes place between gases and the surrounding surfaces. So it becomes necessary to determine the emissivity and absorptivity of gases in a given volume. Unlike in solids and liquids radiation in gases is a volume phenomenon. In solids and liquids the energy emitted inside the material reaches the surface by conduction or convection. At the surface the energy is emitted by radiation.

In the case of gases if density is low the space between molecules is large and radiant energy emitted inside the volume can reach the surface without being intercepted. The **emissivity and absorptivity of gases** are found to **depend on the linear dimension, geometric shape and the density** (pressure and temperature) **of the volume** in addition to the inherent nature of the gas itself.

The commonly occurring gases like **Oxygen and Nitrogen are transparent** to incident thermal radiation and hence their absorptivity value is zero. By Kirchhoff's law the emissivity is also zero for these cases. Gases like carbon dioxide and water vapour absorb incident thermal radiation. Consequently they also emit thermal radiation. However the emission is not distributed over all values of wave lengths. It is limited to specific wavelength intervals called wave bands.

These aspects make the determination of absorptivity and emissivity values for gases more complicated.

13.4.1. Absorption of thermal radiation in gases: A gas volume is shown in Fig. 13.6.

A thermal radiation beam (monochromatic) with intensity I_{λ_0} is incident at face $x = 0$. As it passes through the gas volume partly there is absorption of the beam. At location x , the

intensity is $I_{\lambda x}$. As it passes through a differential thickness dx , let the intensity be reduced by dI_{λ} . Let the absorption coefficient for the gas be α_{λ} .

$$\text{Then} \quad dI_{\lambda} = -\alpha_{\lambda} I_{\lambda x} dx$$

Integrating (by separating the variables) between limits $x = 0$ and $x = L$

$$\frac{I_{\lambda L}}{I_{\lambda 0}} = e^{-\alpha_{\lambda} L} \quad \dots(13.11)$$

This is known as Beers law and this is used in arriving at the monochromatic transmissivity and absorptivity of any gas volume. It should be noted that α_{λ} is a property of the gas.

Transmissivity is the fraction of energy transmitted and is given by equation (13.11).

$$\tau_{\lambda} = \frac{I_{\lambda L}}{I_{\lambda 0}} = e^{-\alpha_{\lambda} L}$$

As gases do not reflect any radiation,

$$\therefore \text{Absorptivity} = 1 - \text{Transmissivity}$$

$$\therefore \alpha_{\lambda} = 1 - \tau_{\lambda} = 1 - e^{-\alpha_{\lambda} L} \quad \dots(13.12)$$

Application of Kirchhoff's law gives the relation.

$$\alpha_{\lambda} = \varepsilon_{\lambda}$$

The total value of absorptivity or emissivity can be obtained by summing up the absorptivity in the bands in which the gas radiates. For example water vapour has absorptivity values in bands around 1, 1.4, 1.8 and 2.75 μm . Similar bands exist for CO_2 at 1.9, 2.7, 4.3 and 15 μm .

13.4.2. Calculation of absorptivity and emissivity values for water vapour and carbon dioxide: The value of absorptivity is found to depend on the pressure of the gas and the beam length or characteristic length for the volume and the temperature. The emissivity/absorptivity increases with pressure and beam length and decreases with temperature. If water vapour and carbon dioxide are found as a mixture with other gases (particularly air) the partial pressure is to be considered in such cases.

Measured values are available in chart form with emissivity on y axis, temperature on x axis and pl as parameter (p —partial pressure, l —characteristic length). A schematic chart is shown in Fig. 13.7.

If the pressure, shape and temperature of the gas body are specified, then the emissivity value can be read off from the chart. The emissivity depends on the gas body temperature while the absorptivity will depend on the radiation source temperature. Hence in the calculation of heat exchange these values should be calculated at different temperatures.

The chart value is for a total pressure of 1 atm for the mixture of gas/vapour considered. A multiplicative correction factor is necessary to account for the presence of other gases, when the total pressure is different from 1 atm. The correction factor C is greater than one for higher total pressures. The factor is less than one for lower partial pressures. A schematic chart is shown in Fig. 13.8.

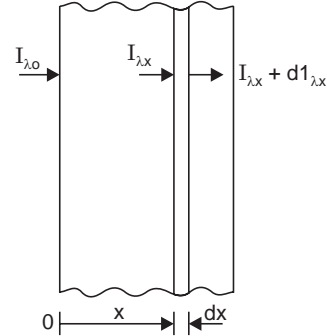


Fig. 13.6. A gas volume with incident thermal radiation beam.

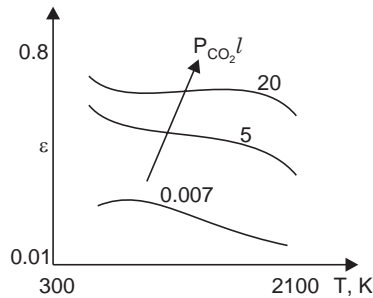


Fig. 13.7. Emissivity of CO₂

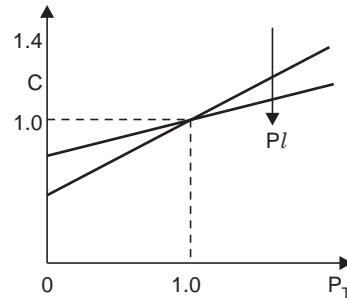


Fig. 13.8. Correction factor for total pressures other than 1 atm (for CO₂)

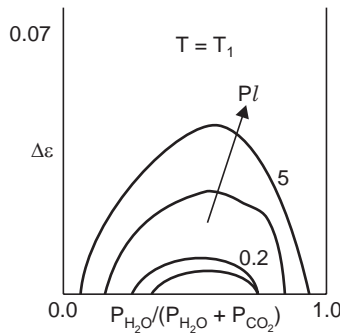


Fig. 13.9. Correction factor for the presence of CO₂ and H₂O in the mixture.

Accurate values for the characteristic lengths for various shapes are available in hand books. **Approximate values for all shapes can be obtained by using**

$$l = 3.6 \text{ volume/surface area.} \quad \dots(13.13)$$

For water vapour or CO₂ present as a mixture with other non radiating gases, the value of emissivity is obtained by

$$\epsilon_{\text{CO}_2} = \epsilon_{1 \text{ atm}} \cdot C_{\text{CO}_2} \quad \dots(13.14)$$

For mixtures of both gases in a volume another subtractive factor ($\Delta\epsilon$) is to be used as the sum of the emissivities calculated using the charts is found to be higher than the actual measured values. This factor is zero when only one of the gas is found in the mixture. The values are of the order of 0.05. A sample chart is shown in Fig. 13.9.

The emissivity when both gases are present is calculated using.

$$\epsilon = \epsilon_{\text{CO}_2} + \epsilon_{\text{H}_2\text{O}} - \Delta\epsilon \quad \dots(13.15)$$

The heat exchange between a black enclosure and the gas is given by

$$Q = \sigma A_s (\epsilon_g T_g^4 - \alpha_g T_s^4) \quad \dots(13.16)$$

Where A_s is the surface area, T_g is the gas temperature and T_s is the surface temperature. ϵ_g is calculated as indicated in equation (13.15) at T_g . The gas absorptivity is dependent on the source temperature also. The value is calculated as indicated below.

$$\alpha_g = \alpha_{\text{H}_2\text{O}} + \alpha_{\text{CO}_2} - \Delta\epsilon \quad \dots(13.17)$$

$$\alpha_{\text{H}_2\text{O}} = C_{\text{H}_2\text{O}} \left(\frac{T_g}{T_s} \right)^{0.45} \epsilon_{\text{H}_2\text{O}} \quad \dots(13.17 (a))$$

$$\alpha_{\text{CO}_2} = C_{\text{CO}_2} \left(\frac{T_g}{T_s} \right)^{0.65} \epsilon_{\text{CO}_2} \quad \dots(13.17 (b))$$

Here $\epsilon_{\text{H}_2\text{O}}$ and ϵ_{CO} should be determined at T_s using a corrected value of pl given by $(pl \times T_s/T_g)$.

The charts are shown in Figure (13.10 a, b 13.11 a, b) and (13.12).

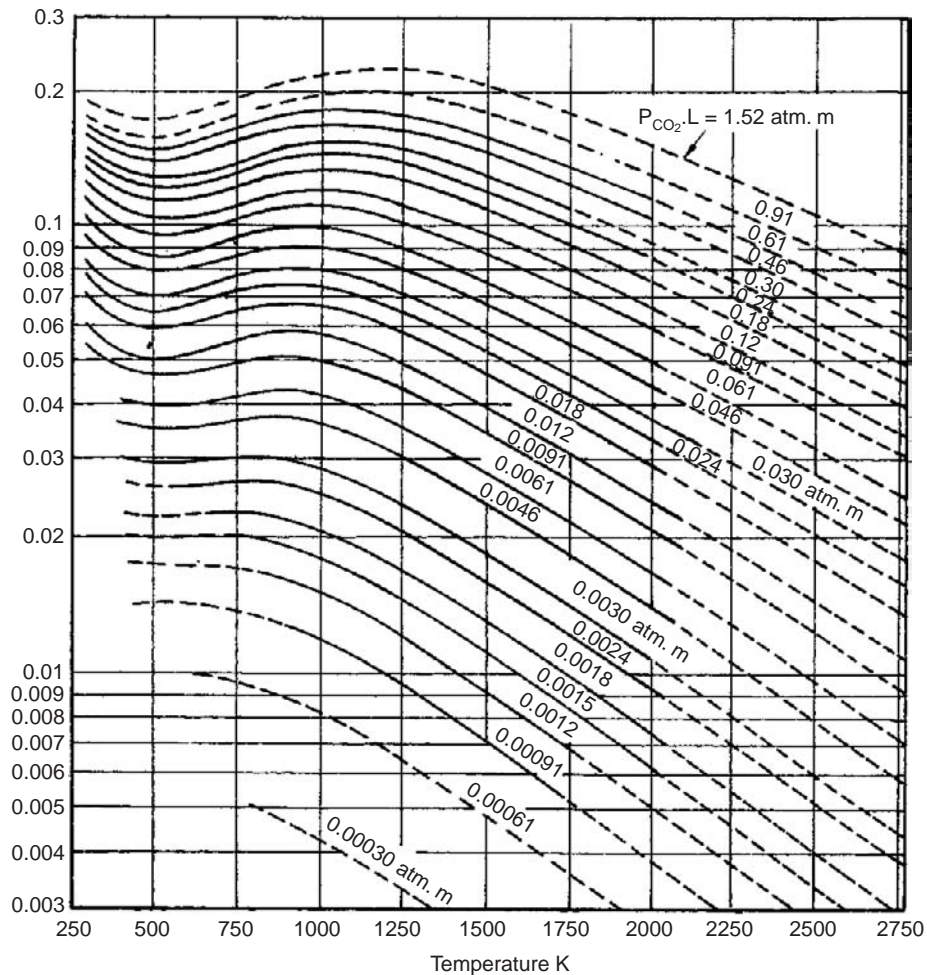


Fig. 13.10. (a) Emissivity ϵ_c of carbon dioxide at a total pressure of $P_T = 1$ atm.

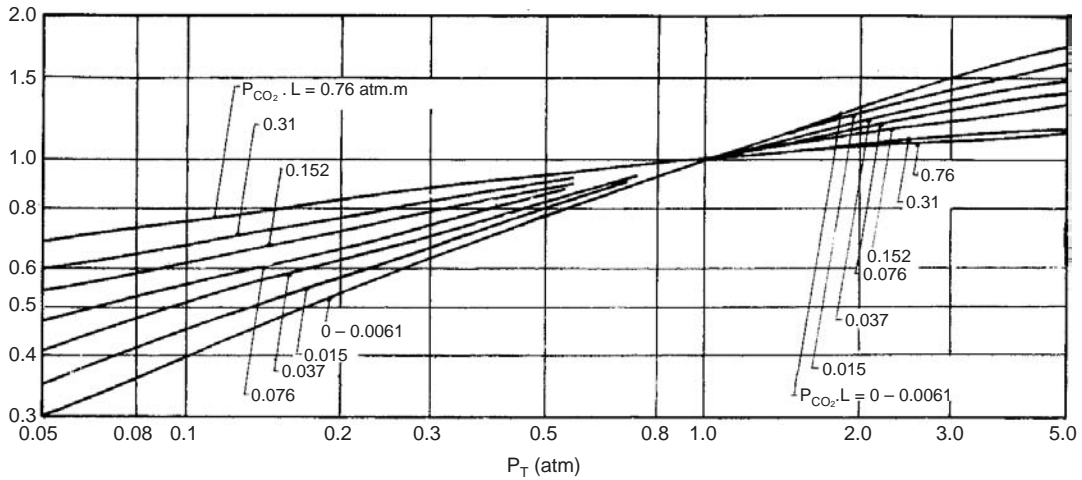


Fig. 13.10. (b) Correction factor C_c for converting the emissivity of CO_2 at 1 atm to emissivity at P_T atm.

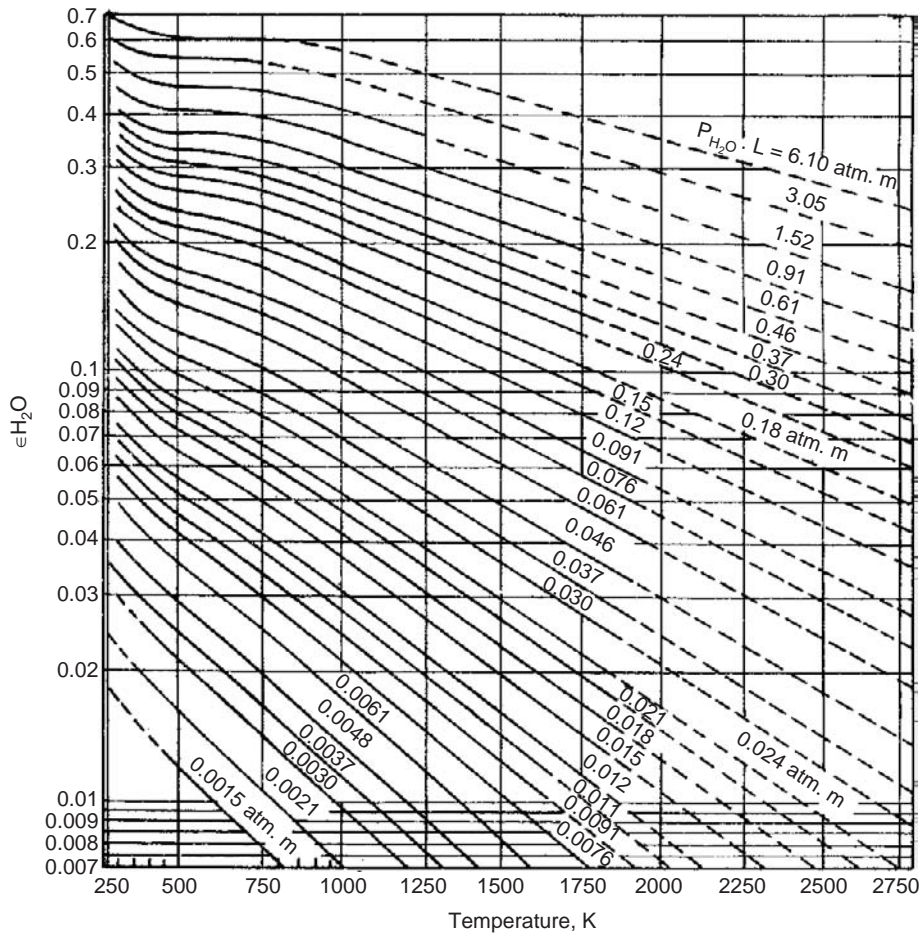


Fig. 13.11. (a) Emissivity ϵ_w of water vapor at a total pressure of $P_T = 1$ atm and corresponding to an idealized case of $P_w \rightarrow 0$.

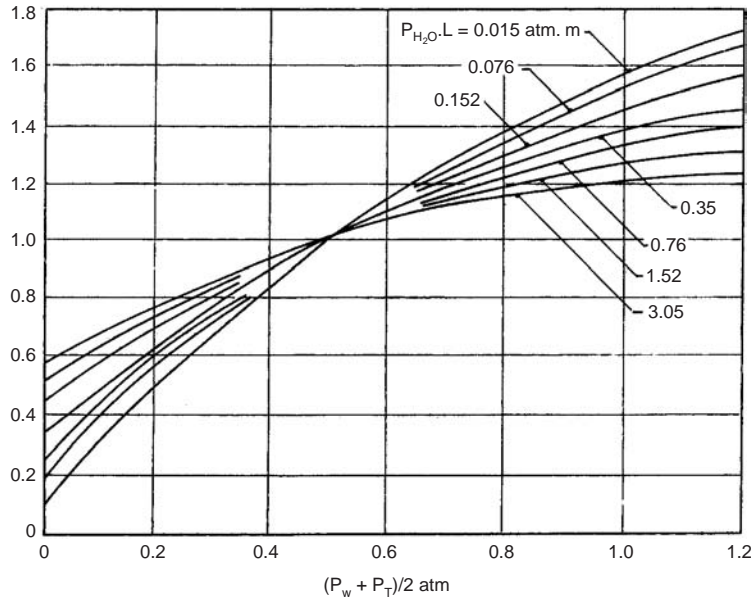


Fig. 13.11. (b) Correction factor C_w for converting emissivity of H_2O to values of P_w and P_T other than 0 and 1 atm. respectively.

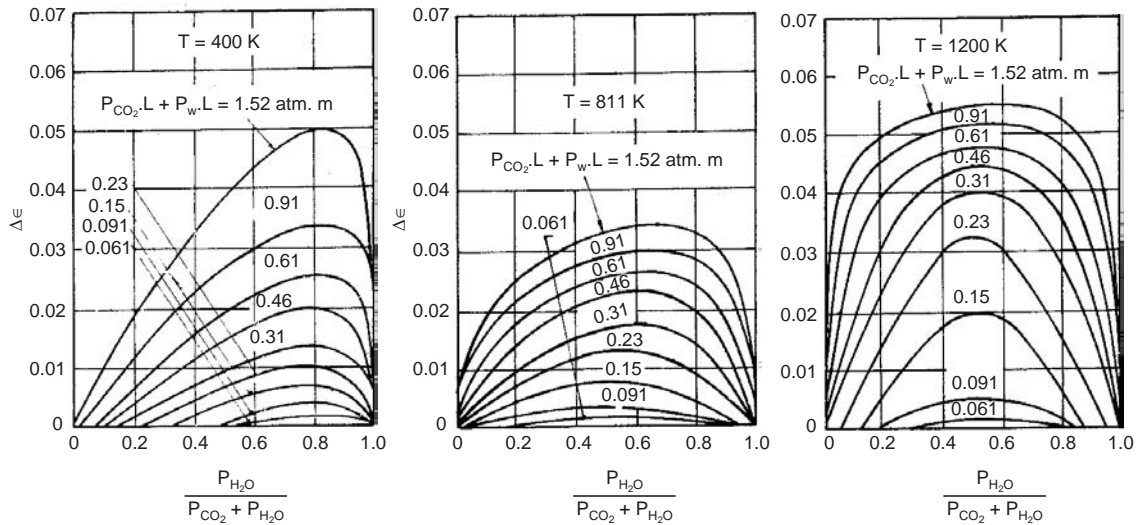


Fig. 13.12. Emissivity correction $\Delta \epsilon$ for mutual absorption when water vapor and carbon dioxide are present in the gas.

Example 13.8: Determine the emissivity of a gas body of spherical shape of 1 m dia at a total pressure of 1 atm and 1500 K. The gas body consists of 17.96% of CO_2 and the rest oxygen and Nitrogen.

Solution: From the volume analysis, the partial pressure can be determined. The ratio of partial pressure to total pressure will be equal the ratio of volume to total value. So the partial pressure of CO_2 is 0.1796 atm.

The gas body is in the shape of a sphere of diameter 1 m. From tabulated values the characteristic length for a sphere is $0.67 D$.

$$\therefore l = 0.67 \text{ m}$$

$$\therefore Pl = 0.1796 \times 0.67 = 0.120$$

Reading from the chart at $T = 1500 \text{ K}$ and $Pl = 0.12$, $\epsilon = 0.098$. As the total pressure is atmospheric, no correction is necessary.

Emissivity of the gas body = 0.098.

Example 13.9 : In case in the example no. 13.7 the total pressure was (i) 0.3 atm and (ii) 3 atm, determine the value of emissivity assuming partial pressure of CO_2 as 0.1796 atm.

Solution: A correction is required for the value of emissivity to account for pressure other than 1 atm.

Reading the chart at these total pressure and Pl values the correction factors are obtained as

$$(i) \text{ 0.3 atm total pressure } C_{\text{CO}_2} = 0.78$$

$$(ii) \text{ 3 atm total pressure } C_{\text{CO}_2} = 1.22$$

The emissivity values are (i) 0.0764 and (ii) 0.1196.

Example 13.10: A furnace in the form of a cube of 2 m side has gas in it at 1500 K. The analysis of gas is 16% CO_2 , 10% H_2O and the rest are non radiating gases. Determine the emissivity of the gas body. The total pressure is 1 atm.

Solution: The partial pressure of $\text{CO}_2 = 0.16 \text{ atm}$

$$\text{The partial pressure of } \text{H}_2\text{O} = 0.1 \text{ atm}$$

$$\text{The characteristic length} = 0.67 \times \text{side} = 0.67 \times 2 = 1.34 \text{ m}$$

$$\therefore Pl_{\text{CO}_2} = 0.16 \times 1.34 = 0.214$$

$$Pl_{\text{H}_2\text{O}} = 0.1 \times 1.34 = 0.134$$

The corresponding emissivity values are read from charts entering at 1500 K and reading against the Pl values as

$$\epsilon_{\text{CO}_2} = 0.12 \quad \epsilon_{\text{H}_2\text{O}} = 0.105$$

As the total pressure is one atm, no correction is necessary for total pressure. But a correction (deduction) is necessary to account for the combined presence. This is read from the chart at

$$P_{\text{H}_2\text{O}} / (P_{\text{CO}_2} + P_{\text{H}_2\text{O}}) \text{ and } P_c l + P_w l \text{ values. These are}$$

$$0.1 / (0.16 + 0.1) = 0.3846 \text{ and } 0.214 + 0.134 = 0.348.$$

The temperature is 1500 K. The value of $\Delta\epsilon = 0.04$ (chart is available for 1200 K only extrapolated)

$$\epsilon = 0.12 + 0.105 - 0.04 = \mathbf{0.221}.$$

Example 13.11: In example 13.10, if the total pressure was 3 atm, determine the emissivity of the gas volume.

Solution. The partial pressures are:

$$P_{\text{CO}_2} \rightarrow 0.16 \times 3 = 0.48 \quad P_{\text{H}_2\text{O}} \rightarrow 0.1 \times 3 = 0.3 \text{ atm}$$

$$Pl_{\text{CO}_2} = 0.48 \times 1.34 = 0.6432, \quad Pl_{\text{H}_2\text{O}} = 0.402$$

The emissivities for the corresponding values are

$$\epsilon_{\text{CO}_2} = 0.17, \epsilon_{\text{H}_2\text{O}} = 0.195$$

The correction factors are: for CO_2 at 0.3 and 0.6432, $C_{\text{CO}_2} = 1.2$

For H_2O $(P_{\text{H}_2\text{O}} + P_T)/2 = (3 + 0.3)/2 = 1.65$

$$Pl = 0.402, C_{\text{H}_2\text{O}} = 1.41 \text{ (extrapolated)}$$

The value of $\Delta\epsilon$ is read at $\frac{P_{\text{H}_2\text{O}}}{P_{\text{H}_2\text{O}} + P_{\text{CO}_2}} = 0.3/(0.3 + 0.48) = 0.3846$

and $Pl_{\text{CO}_2} + Pl_{\text{H}_2\text{O}} = 0.6432 + 0.402 = 1.0432, \therefore \Delta\epsilon = 0.051$

$$\therefore \epsilon = 0.17 \times 1.2 + 1.41 \times 0.195 - 0.051 = \mathbf{0.428}.$$

Example 13.12: A furnace of $2 \text{ m} \times 1.5 \text{ m} \times 1.5 \text{ m}$ size contains gases at 1500 K while the walls are at 500 K . The gas contains 18% of CO_2 and 12% of water vapour by volume. Determine the heat exchange from the gases to the walls. The total pressure is 2 atm. Assume black surface.

Solution: The characteristic length = 3.6 volume/surface area

$$= (3.6 \times 1.5 \times 1.5 \times 2)/(2(1.5 \times 1.5 + 2 \times 1.5 \times 2)) = 0.982 \text{ m}$$

The partial pressures are

$$C_{\text{CO}_2} = 0.18 \times 2 = 0.36, \quad \therefore Pl_{\text{CO}_2} = 0.354$$

$$P_{\text{H}_2\text{O}} = 0.12 \times 2 = 0.24 \quad \therefore Pl_{\text{H}_2\text{O}} = 0.236$$

The values of emissivities as read from chart for values of 1500 K and Pl

$$\epsilon_{\text{CO}_2} = 0.145, \epsilon_{\text{H}_2\text{O}} = \mathbf{0.155}$$

The correction factors for pressure, as the total pressure is 2 atm are

$$C_{\text{CO}_2} = 1.1 \text{ (at 2 and 0.354)}$$

$$C_{\text{H}_2\text{O}} = 1.42 \text{ (at 1.12 and 0.236)}$$

Correction for the simultaneous presence of the two gases:

$$P_{\text{H}_2\text{O}}/(P_{\text{CO}_2} + P_{\text{H}_2\text{O}}) = 0.24/(0.36 + 0.24) = 0.4$$

$$Pl_{\text{CO}_2} + Pl_{\text{H}_2\text{O}} = 0.354 + 0.236 = 0.590$$

$$\Delta\epsilon = 0.047$$

$$\therefore \epsilon_g = 1.1 \times 0.145 + 1.42 \times 0.155 - 0.047 = \mathbf{0.3326}$$

To determine the absorptivity, the temperature of the wall has to be used. Reading corresponding to 500 K and $P_1 = pl \times (T_s/T_g)$ i.e., for $Pl_{\text{CO}_2} = 0.118$ and $Pl_{\text{H}_2\text{O}} = 0.079$

$$\epsilon_{\text{CO}_2} = 0.105, \epsilon_{\text{H}_2\text{O}} = \mathbf{0.17}$$

The correction factor are:

$$C_{\text{CO}_2} = 1.3 \text{ (at 2 atm and 0.118)}$$

$$C_{\text{H}_2\text{O}} = 1.58 \text{ (at 1.12 atm and 0.079)}$$

The subtractive correction factor is read at 0.4 and $(0.118 + 0.079 = 0.197)$, $\Delta\epsilon = 0.026$

$$\begin{aligned} \therefore \alpha_g &= 1.3 \times 0.105 \times \left(\frac{1500}{500}\right)^{0.65} + 1.58 \times 0.17 \times \left(\frac{1500}{500}\right)^{0.45} - 0.026 \\ &= 0.2788 + 0.4404 - 0.026 = \mathbf{0.6932} \end{aligned}$$

$$\begin{aligned} \text{Heat exchange} &= \sigma A_s [\epsilon_g T_g^4 - \alpha_g T_s^4] \\ &= 5.67 \times 16.5 \left[0.3326 \times \left(\frac{1500}{100}\right)^4 - 0.6932 \left(\frac{500}{100}\right)^4 \right] \\ &= \mathbf{1.5379 \times 10^6 \text{ W.}} \end{aligned}$$

13.5 HEAT EXCHANGE BY RADIATION

In the preceding sections the radiation properties and determination of the above were discussed. The important application of the study is heat transfer from one body to another by radiation when a temperature difference exists.

Thermal radiation from a surface travels all over the space in all directions above the surface. Only that portion of radiant energy emitted by a surface which reaches the other body can be absorbed or transmitted or reflected by that body. So it becomes necessary to estimate the fraction of energy emitted by a body that reaches the other body. Out of this portion the energy absorbed by the body can be calculated if the absorptivity of the surface is known. In the case of black body all the incident energy will be absorbed. For opaque grey bodies part will be absorbed and part will be reflected. Part of the reflected energy may again reach the original body which will be disposed off as was the original radiation.

In order to facilitate this study a new concept called shape factor is defined. Several other terms are also used synonymously. **Angle factor, view factor, geometric shape factor** are some of these terms.

Shape factor of surface 1 with respect to surface 2 is defined as fraction of radiant energy emission from surface 1 reaching the surface 2. The fraction is generally denoted by F_{1-2} . Shape factor depends on the geometric positions of the surfaces. If the surface 2 encloses the surface 1 completely then $F_{1-2} = 1$. If surface two is not visible from surface 1 then $F_{1-2} = 0$. The shape factor depends on the distance between the surfaces and the areas of the surfaces. Two coaxial circular disks facing each other will have higher value of shape factor if these are moved closer. For the same central distance larger area will give higher value for shape factor.

13.5.1. Expression for shape factor: The definition of shape factor was given in the last para. Considering two black surfaces A_1 and A_2 the quantity of radiant energy emission from A_1 reaching A_2 is given by

$$Q_{1-2} = A_1 F_{1-2} \cdot E_{b1} \quad \dots(13.18 (a))$$

This is completely absorbed by surface A_2 as it is black. Similarly the quantity of radiant emission from A_2 reaching A_1 and absorbed by it is given by

$$Q_{2-1} = A_2 F_{2-1} E_{b2} \quad \dots(13.18 (b))$$

When surfaces A_1 and A_2 are at the same temperature, these two quantities should be equal as no net heat transfer is possible.

i.e., $E_{b1} = E_{b2}$ for this condition.

As A_1, A_2, F_{2-1} are not zero

$$\therefore A_1 F_{1-2} = A_2 F_{2-1} \quad \dots(13.19)$$

This is known as reciprocity theorem for shape factors and will be used extensively in many situations.

The net heat exchange

$$Q = Q_{1-2} - Q_{2-1} = A_1 F_{1-2} (E_{b1} - E_{b2}) \quad \dots(13.20)$$

Consider the two surfaces A_1 and A_2 . In order to determine the shape factor first consider the differential area dA_1 and dA_2 as shown in Fig. 13.13. The line joining the centre of these two areas has a length r . The normal to the surfaces make angles θ_1 and θ_2 with this line.

The areas when projected in the direction perpendicular to the line will equal $dA_1 \cos \theta_1$ and $dA_2 \cos \theta_2$. Let the area dA_2 subtend a solid angle $d\omega$ with respect to dA_1 . Then the energy emission from dA_1 reaching dA_2 is equal to

$$\begin{aligned} dq_{dA_1-dA_2} &= I_1 \cos \theta_1 dA_1 \cdot d\omega \\ &= I_1 \cos \theta_1 dA_1 \cdot \cos \theta_2 dA_2 / r^2 \end{aligned} \quad \dots(13.21 (a))$$

Similarly

$$dq_{dA_2-dA_1} = I_2 \cos \theta_2 dA_2 \cdot \cos \theta_1 dA_1 / r^2 \quad \dots(13.21 (b))$$

The net flow is the difference between these quantities.

Replacing $I = E/\pi$

$$Q_{1-2} = (E_{b1} - E_{b2}) \int_{A_1} \int_{A_2} \frac{\cos \theta_1 \cos \theta_2 dA_1 dA_2}{\pi r^2}$$

This is also equal to $(E_{b1} - E_{b2}) A_1 F_{1-2}$

$$\therefore F_{1-2} = \frac{1}{A_1} \int_{A_1} \int_{A_2} \frac{\cos \theta_1 \cos \theta_2 dA_1 dA_2}{\pi r^2}$$

The double integral can be evaluated directly only in simple cases. However the values are available for some important configurations in chart form and is determined using the geometric parameters. Perpendicular rectangles or squares with common edge, Equal parallel disks or rectangles are the two important configurations for which chart form solutions are available. Solutions are available also for surface element to a large parallel area, small sphere to a parallel plane, for a plane and rows of tubes parallel to it, and unequal coaxial parallel circular disks.

13.5.2. Shape factor for special cases: The shape factor is equal to one for any surface completely enclosed by another surface. The shape factor is also one for infinite parallel planes, from inner cylinder to outer cylinder of long coaxial cylinders and inner to outer concentric spheres. The reciprocity theorem can be used to find the shape factor of outer to inner cylinder or sphere.

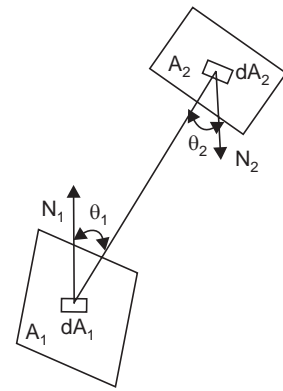


Fig. 13.13. Shape factor determination.

For small element dA_1 to a parallel circular disk of radius a refer Fig. 13.13(b) at a distance L , the shape factor is $a^2/(a^2 + L^2)$ (13.23 (a))

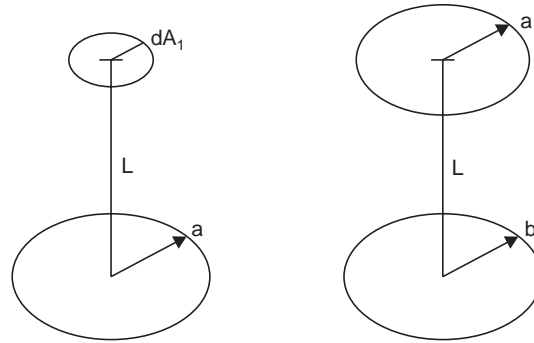


Fig. 13.13. (b)

For two unequal coaxial parallel circular disks of radius a and b at a distance L from each other Ref. Fig. 13.13(b) the shape factor from smaller to larger disk of radius b is given by

$$F_{1-2} = [L^2 + a^2 + b^2 - \sqrt{\{(L^2 + a^2 + b^2)^2 - 4a^2b^2\}}] / 2a^2 \quad \dots(13.23 (b))$$

Crossed string method: The shape factors for surfaces that are two dimensional and infinitely long in one direction with identical cross sections normal to the infinite direction can be determined using a method called crossed string method due to Hottel and Sarofin

The configuration is shown in Fig. 13.14.

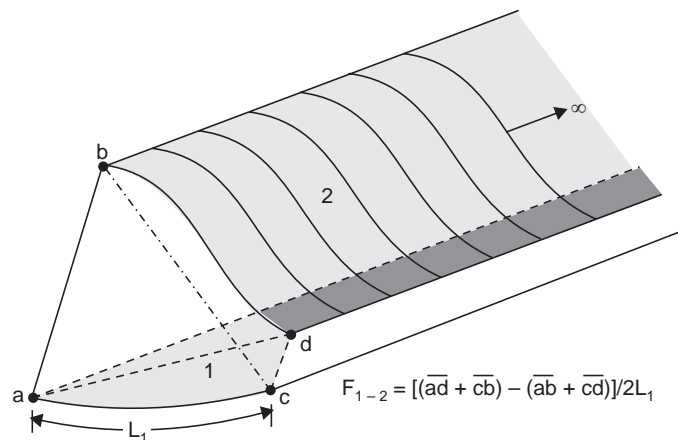


Fig. 13.14. Schematic diagram illustrating the crossed-string method.

$$F_{1-2} = [\text{sum of diagonal lengths} - \text{sum of end lengths}] / 2 \times \text{width of plane}$$

$$F_{1-2} = [(ad + cb) - (ab + cd)] / 2L_1 \quad \dots(13.24)$$

This method can be used for inclined planes which are longer compared to the distance between them.

13.5.3. Shape factor relationships: As the shape factor values are available for limited geometric situations only, it becomes necessary to use some basic relationships between shape factors to evaluate the shape factor for other connected geometries. For example shape factor values are available for perpendicular surfaces with a common edge. But shape factor values for perpendicular surfaces will meet only if extended, is needed. The shape factor relationship together with the reciprocity theorem are used to evaluate shape of factor value in such situations.

Consider surfaces A_1 , A_2 and A_3 shown in Fig. 13.15. The first of such rules is

$$F_{3-1,2} = F_{3-1} + F_{3-2} \quad \dots(13.25)$$

This is an obvious relation as the energy reaching an area is the sum of energies reaching individual parts of the area. Generally

$$F_{i-j, k, l, m, n, \dots} = F_{i-j} + F_{i-k} + F_{i-l} + F_{i-m} + \dots \quad \dots(13.26)$$

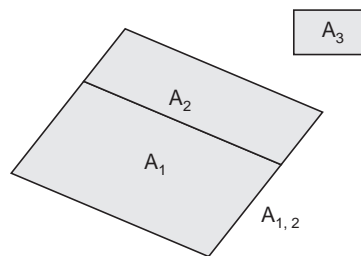


Fig. 13.15. Shape factor relations.

Multiplying the RHS and LHS of equation (13.25), by the area

$$A_3 F_{3-1,2} = A_3 F_{3-1} + A_3 F_{3-2} \quad \dots(13.27)$$

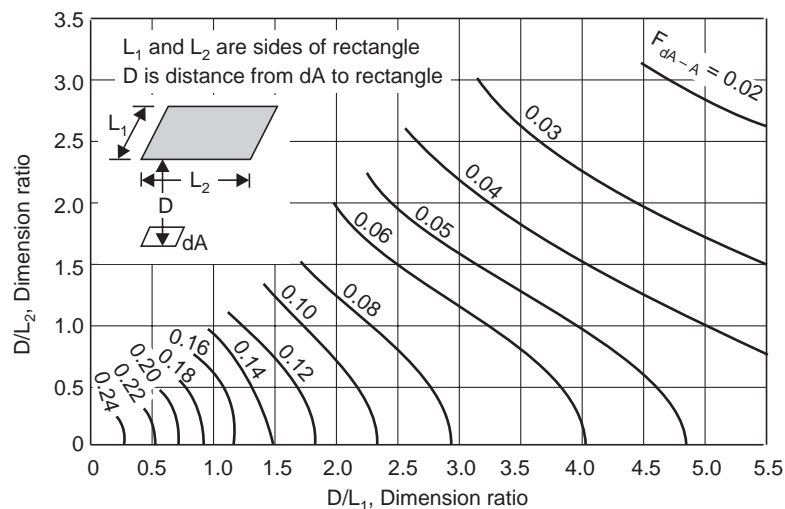


Fig. 13.16. Shape factor for a surface element dA and a rectangular surface A parallel to it.

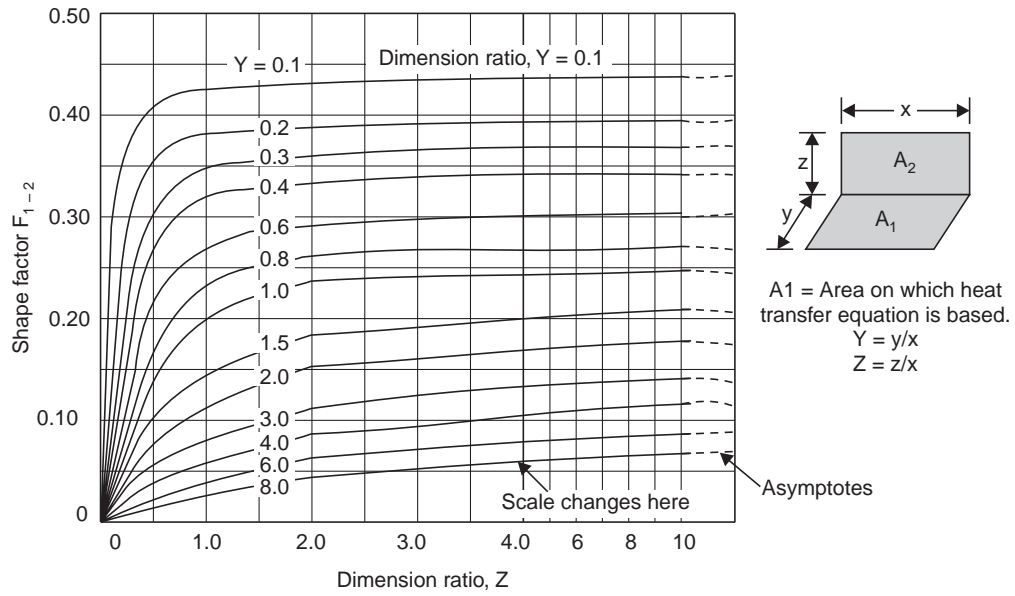


Fig. 13.17. Shape factor for adjacent rectangles in perpendicular planes sharing a common edge.

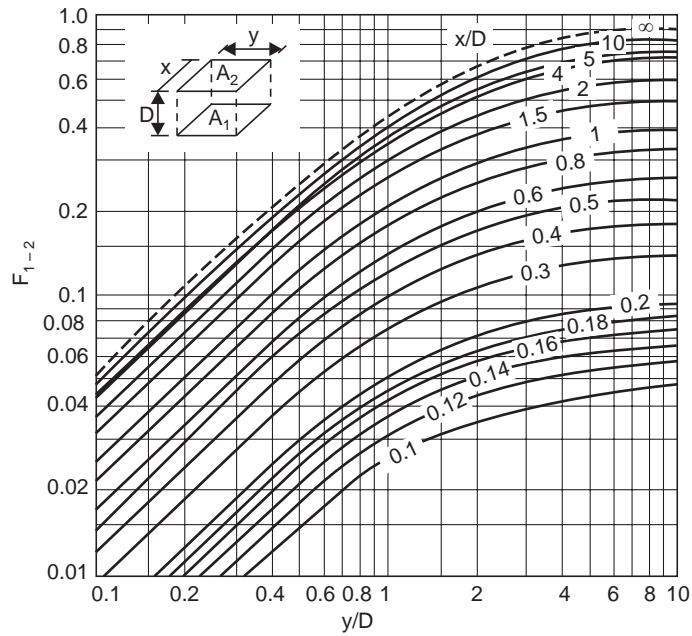


Fig. 13.18. Shape factor for directly opposed rectangles.

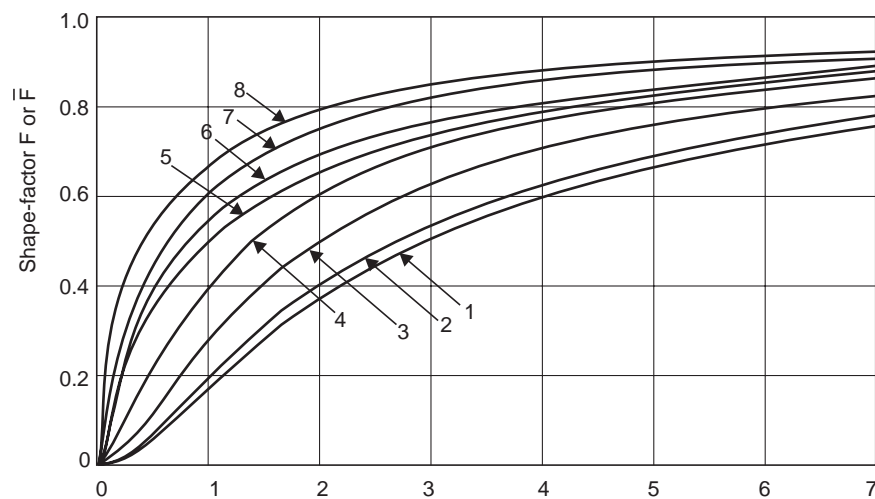
Then using the reciprocity theorem,

$$(A_1 + A_2) F_{1,2-3} = A_1 F_{1-3} + A_2 F_{2-3} \quad \dots(13.27 (b))$$

Stated in words this equation is

“The total energy received by area A_3 from both A_1 and A_2 is equal to the sum of energies received from areas A_1 and A_2 separately”.

These relationships are very useful in evaluation shape factors for various geometries.



$$\text{Dimension ratio} = \frac{\text{smaller side or diameter}}{\text{distance between planes}}$$

Radiation between parallel planes, directly opposed:

- 1, 2, 3, and 4: Direct radiation between the planes, F
- 5, 6, 7, and 8: Planes connected by nonconducting but reradiating walls, \bar{F}
- 1 and 5: Disks
- 2 and 6: Squares
- 3 and 7: 2: 1 Rectangles
- 4 and 8: Long, narrow rectangles

Fig. 13.19. Shape factors for equal and parallel squares, rectangles, and disks.

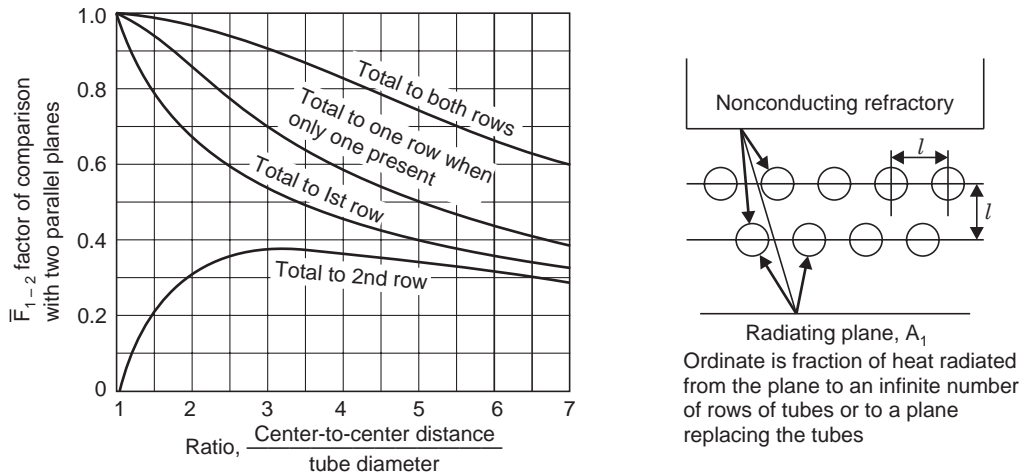


Fig. 13.20. Shape factor for a plane and one or two rows of tubes parallel to it .

Example 13.13: Determine the shape factor from the floor of a furnace of $1\text{ m} \times 2\text{ m} \times 1.5\text{ m}$ size to the side surfaces and to the roof.

Solution: The shape factors (Also charts and Tables from Data Book are used in all problems).

F_{1-2} , F_{1-3} and F_{1-4} are to be determined. Refer Fig. 13.21.

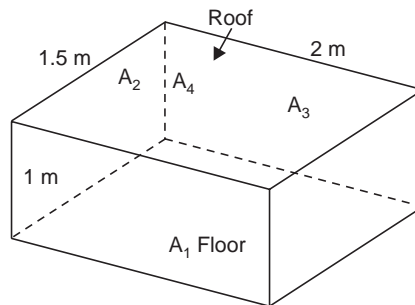


Fig. 13.21

The parameters for perpendicular surfaces are (for floor to end wall)

$$Z = \text{height of the vertical surface/width} = 1/1.5 = 0.67$$

$$Y = \text{length of the horizontal surface/width} = 2/1.5 = 1.33$$

As read from the chart the corresponding value of $F_{1-2} = 0.140$

For F_{1-3} (Floor to side wall)

$$Z = 1/2.0 = 0.5$$

$$Y = 1.5/2.0 = 0.75$$

The value of F_{1-3} read from chart = 0.180

For parallel rectangles (**floor to ceiling**, F_{1-4}) the parameters

$$X = \text{longer side/distance between planes} = 2/1 = 2.0$$

$$Y = \text{shorter side/distance between planes} = 1.5/1 = 1.5$$

The corresponding value $F_{1-4} = \mathbf{0.36}$ (from chart)

Check: the sum of all shape factors should be equal to one ($2 \times 0.14 + 2 \times 0.18 + 0.36$) = 1

Heat exchange between surfaces can be determined if temperatures are specified, provided the surfaces are black (by equations discussed so far).

Example 13.14: Determine the shape factor from the base of a cylinder to the curved surface. Also find the shape factor from curved surface to base and the curved surface to itself.

Solution: The diameter is 1 m and height is also 1 m. The base (1) is enclosed by the top (3) and curved surface (2) (Fig. 13.22)

$$\therefore F_{1-2} + F_{1-3} = 1$$

F_{1-3} can be determined by using the chart for parallel disks. The ratio, diameter/distance between planes = 1

The corresponding value of shape factor is **0.17**. Base to curved surface is

$$\therefore F_{1-2} = 1.0 - 0.17 = \mathbf{0.83}$$

Using reciprocity theorem

$$A_1 F_{1-2} = A_2 F_{2-1}$$

$$\frac{\pi \times 1 \times 1}{4} \times 0.83 = \pi \times 1 \times 1 \times F_{2-1}$$

$$\therefore F_{2-1} = \mathbf{0.2175}$$

Considering the curved surface, as concave surface will intercept some radiation from the surface itself.

$$F_{2-1} + F_{2-3} + F_{2-2} = 1$$

$$\text{As } F_{2-1} = F_{2-3}, F_{2-2} = 1 - 2 \times 0.2175 = \mathbf{0.565}$$

Concave surfaces intercept part of radiation emitted by themselves. Here it intercepts more than half of the radiation.

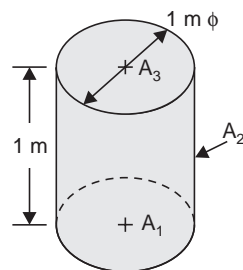


Fig. 13.22

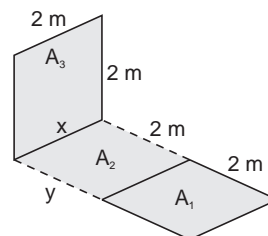


Fig. 13.23

Example 13.15: Determine the shape factor from the surface 1 to surface 3 shown in Fig. 13.23 (vertical plane and non touching horizontal surface).

Solution: Denoting surface in between as 2 and using equation (13.27)

$$(A_1 + A_2) F_{1,2-3} = A_1 F_{1-3} + A_2 F_{2-3}$$

$F_{1,2-3}$ and F_{2-3} can be determined

Using the chart

For $F_{1,2-3}, Y = y/x = 4/2 = 2$

$$Z = z/x = 2/2 = 1$$

$\therefore F_{1,2-3} = 0.11643$

For $F_{2-3}, Y = 2/2 = 1, Z = 2/2 = 1$

$$F_{2-3} = 0.20004$$

substituting

$$(2 \times 2 + 2 \times 2) 0.11643 = 2 \times 2 F_{1-3} + 2 \times 2 \times 0.20004$$

$\therefore F_{1-3} = 0.03282$

To find $F_{3-1} A_1 F_{1-3} = A_3 F_{3-1}$. In this case, the areas are equal and so $F_{3-1} = 0.03282$.

Example 13.16: Determine the shape factor between the floor and the 45° roof over a long corridor. The width is 2 m and the height on the lower sides is 2 m. (Fig. 13.24)

Solution: In this case the crossed string method is to be used. (Approximate)

$$F_{1-2} = [(ad + bc) - (ab + cd)]/2L$$

$$ad = \sqrt{(2^2 + 4^2)} = 4.472$$

$$bc = \sqrt{(2^2 + 2^2)} = 2.828$$

$$F_{1-2} = [4.472 + 2.828 - (2 + 4)]/2 \times 2 = 0.325.$$

13.5.4. Non absorbing Reradiating surface: Very often radiating surfaces may be enclosed by surfaces which are well insulated such that very little heat passes through them. The radiant heat received by such surfaces will be reflected back to the surfaces surrounding them. Such surfaces increase the heat transfer between surfaces enclosed by them. For example consider two parallel surfaces. Let the shape factor be F_{1-2} . If these two surfaces are enclosed by four surrounding surfaces which are well insulated, the apparent value of F_{1-2} will increase. It will not reach a value of one of course because of reradiations to the radiating surface. In the case of two disks 1 m dia and 0.5 m apart, about 37% of radiant emission from surface 1 will reach surface 2. If the surfaces are enclosed by reradiating surface the heat reaching surface 2 increases to 65%. The reradiating surface will be at an intermediate temperature between T_1 and T_2 . The geometric shape factor however depends only on the geometric parameters.

Reradiating surfaces provide an additional parallel path for radiant heat flow, thus increasing the heat transfer.

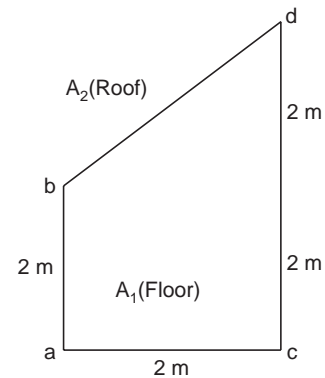


Fig. 13.24

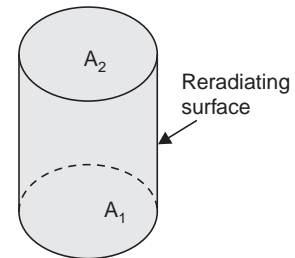


Fig. 13.25

13.6 RADIANT HEAT EXCHANGE BETWEEN BLACK SURFACES

Equation (13.20) can be used to determine radiant heat exchange between black surfaces.

$$Q_{1-2} = A_1 F_{1-2} (E_{b1} - E_{b2})$$

This can be represented by **electrical analogue** shown in Fig. 13.26.

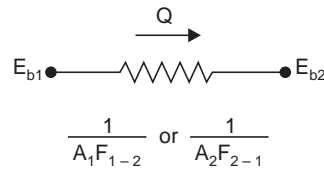


Fig. 13.26. Analogue circuit for radiation.

The temperatures and geometric parameters should be specified for solution.

Example 13.17: Using data of example 13.13 determine the heat exchange between the floor and roof. The shape factor between the floor ($2 \times 1.5 \text{ m}^2$) and roof of the furnace is found as 0.360. The temperatures are specified as 1000 K and 600 K.

Solution:

$$E_{b2} = 5.67 \times (600/100)^4 = 7348.32 \text{ W/m}^2$$

$$E_{b1} = 5.67 \times \left(\frac{1000}{100}\right)^4 = 56700 \text{ W/m}^2$$

$$\frac{1}{A_1 F_{1-2}} = \frac{1}{(2 \times 1.5 \times 0.36)} = 1.08 \text{ m}^{-2}$$

$$Q = \frac{56700 - 7348.32}{1.08} = 45696 \text{ W}$$

The electrical analogy is very useful in solving for situations where reradiating surfaces are encountered.

Example 13.18: In the case of Example 13.13 the side walls are well insulated so that these can be considered as reradiating. Determine the heat exchange if the floor is at 1000 K and the roof at 600 K. Also determine the apparent shape factor.

Solution: The equivalent circuit is shown in Fig. 13.27 (a). The temperature of the reradiating surfaces is not known, but is assumed as T_3 . Data is taken from 13.13.

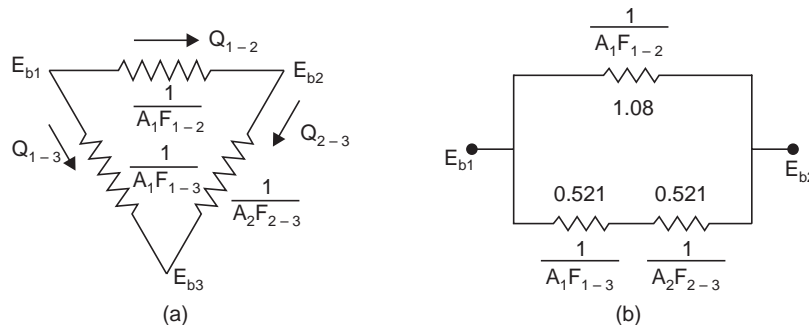


Fig. 13.27. (a, b)

In addition to the direct flow between 1 and 2 an additional path is now available for the heat flow. Clubbing all the sides as surface 3.

$$F_{1-2} = 0.360 \quad \therefore \quad F_{1-3} = 1 - 0.360 = 0.640$$

$$\frac{1}{A_1 F_{1-2}} = 1.08 \text{ m}^{-2}$$

$$\frac{1}{A_2 F_{2-3}} = \frac{1}{A_1 F_{1-3}} = \frac{1}{2 \times 1.5 \times 0.64} = 0.521 \text{ m}^{-2}$$

The circuit can now be represented as in 13.27 (b).

$$\text{Equivalent resistance} = \frac{1}{\frac{1}{1.08} + \frac{1}{1.42}} = 0.614$$

$$\therefore \quad Q = \frac{56700 - 7348.32}{0.614} = 80401 \text{ W}$$

This is about twice the heat flow, as compared to direct radiation only.

The apparent shape factor will be:

$$Q = A_1 F_{1-2} (E_{b1} - E_{b2})$$

$$\text{Solving} \quad F_{1-2} = 0.5430$$

Note. The total emissive power of the floor surface is $3 \times 56700 = 170100 \text{ W}$ and that of the roof is 22045 W . The difference between these two and Q goes to heating of the reradiating surfaces.

Example 13.19: A furnace is in the shape of a cylinder of 1 m dia and 1 m height. The base is at 1000 K while the top is at 500 K. The curved surface is well insulated so that it can be taken as non absorbing reradiating surface (see Example 13.14 for shape factors and example 13.18 for emissive power values). Determine the heat exchange between the base and the top with and without the reradiating surface.

Solution: From example 13.14 the shape factor from base to top is found as 0.17. The shape factor form base or top to the curved surface is 0.83. The equivalent circuit is shown in Fig. 13.28.

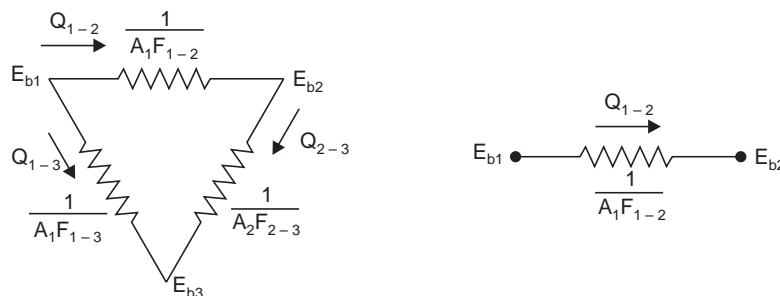


Fig. 13.28 (a) Circuit with reradiation (b) Circuit without reradiation.

$$E_{b1} = 56700 \text{ W/m}^2$$

$$E_{b2} = 7348.32 \text{ W/m}^2$$

$$\frac{1}{A_1 F_{1-2}} = \frac{1}{\frac{\pi \times 1^2}{4} \times 0.17} = 7.49$$

$$\frac{1}{A_2 F_{2-3}} = \frac{1}{A_1 F_{1-3}} = \frac{1}{\frac{\pi \times 1^2}{4} \times 0.83} = 1.534$$

with reradiation:

The equivalent resistance

$$R = \frac{1}{\frac{1}{7.49} + \frac{1}{2 \times 1.534}} = 2.1765$$

$$\therefore Q = \frac{56700 - 7348.32}{2.1765} = 22675 \text{ W}$$

without reradiation:

$$Q = \frac{56700 - 7348.32}{7.49} = 6589 \text{ W}$$

This is about 30% of the heat flow with reradiation.

The **apparent shape factor** from base to top surface is

$$F_{1-2} = \frac{22675}{56700} \times \frac{4}{\pi \times 1 \times 1} = 0.5092. \text{ (Compared to 0.17)}$$

13.7 HEAT EXCHANGE BY RADIATION BETWEEN GRAY SURFACES

In the case of black surfaces all the incident radiant energy is absorbed and hence the determination of heat exchange is rather simple. In the case of gray surfaces there are reflections and rereflections without end.

The calculation of heat exchange involves the summation of the energy absorbed on each incidence on the surface. Additional resistance to heat absorption is introduced by the emissivity/absorptivity of the surface.

In order to simplify the process of calculation two new terms called “**radiosity**” and “**irradiation**” are introduced. **Irradiation (G) is the total radiation incident upon a surface per unit time and unit area (W/m²).**

This quantity consists of the radiation from other surfaces and the reflected radiation from other surfaces.

Radiosity (J) is defined as the total radiation that leaves a surface per unit time and unit area (W/m²). This quantity consists of the emissive power of the surface and the reflections by the surface. From these definitions we get

$$\therefore J = \epsilon E_b + \rho G \quad \dots(13.28 (a))$$

as

$$\rho = 1 - \alpha = 1 - \epsilon$$

$$J = \epsilon E_b + (1 - \epsilon)G \quad \dots(13.28 (b))$$

In the calculation of heat transfer between gray surfaces an important assumption is that radiosity and irradiation are uniform over the surface. Considering a heat balance over the surface, the net energy leaving the surface is the difference between radiosity and irradiation. This can be seen considering the boundary *AA* over the surface (Fig. 13.29). The net energy crossing this surface *AA* is the net energy flow from surface 1 or the net heat transfer between the surfaces.

$$Q/A_1 = J_1 - G_1$$

substituting for *G* from equation (13.28 (b)) and simplifying

$$Q = \frac{\epsilon_1 A_1}{1 - \epsilon_1} (E_{b1} - J_1) = \frac{E_{b1} - J_1}{(1 - \epsilon_1)/A_1 \epsilon_1} \text{ W} \quad \dots(13.29)$$

Similarly for surface 2, consider surface *BB*

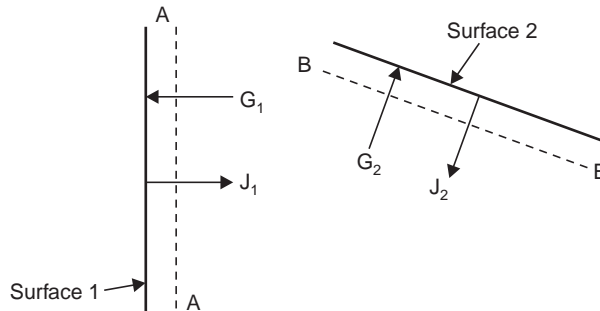


Fig. 13.29. Radiosity-Irradiation concept.

$$Q = \frac{J_2 - E_{b2}}{(1 - \epsilon_2)/A_2 \epsilon_2} \text{ W} \quad \dots(13.29 (b))$$

In these equations *J*₁ and *J*₂ are Unknown

The energy leaving surface *E*₁ and reaching surface 2 is given by *J*₁ *A*₁ *F*₁₋₂. Similarly energy leaving the surface 2 and reaching surface 1 is given by *J*₂ *A*₂ *F*₂₋₁. So the net interchange between the surfaces *AA* and *BB* equals.

$$Q = J_1 A_1 F_{1-2} - J_2 A_2 F_{2-1}, \text{ W} \quad \dots(13.29 (c))$$

Eliminating *J*₁ and *J*₂ using (13.29 (a)) and (13.29 (b))

$$Q_{1-2} = \frac{E_{b1} - E_{b2}}{\frac{1 - \epsilon_1}{A_1 \epsilon_1} + \frac{1}{A_1 F_{1-2}} + \frac{1 - \epsilon_2}{A_2 \epsilon_2}} \quad \dots(13.30)$$

These equations (13.29 (a)), (b) and (c) and (13.30) can be represented by an equivalent circuit as in Fig. 13.30.

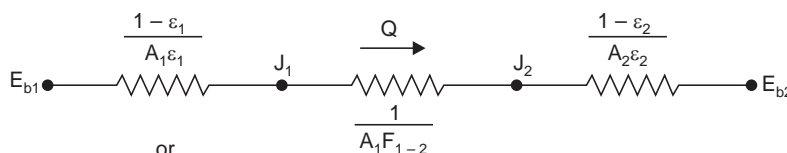


Fig. 13.30. Equivalent network for radiation between gray surfaces.

Equation (13.30) is the most general form which covers radiation heat exchange between any two surfaces whether black or gray. The terms $\frac{1-\epsilon}{A\epsilon}$ is known as surface resistance and $1/A_1F_{1-2}$ as space resistance.

If $\epsilon_1 = \epsilon_2 = 1$, (13.30) reduces to the form already derived for black surfaces.

$$Q = A_1F_{1-2}(E_{b1} - E_{b2})$$

If $F_{1-2} = 0$, meaning that the surfaces do not see each other, then

$$Q = \Delta E_b / \infty = 0 \quad \text{obviously.}$$

13.7.1. Special cases: 1. Infinte parallel planes: here $F_{1-2} = 1$ and $A_1 = A_2 = 1$

$$\therefore q = \frac{(E_{b1} - E_{b2})}{\left(\frac{1}{\epsilon_1} + \frac{1}{\epsilon_2} - 1\right)} \quad \dots(13.31)$$

2. **Completely enclosed surfaces:** (long coaxial cylinders, concentric spheres etc., from inner to outer surface)

$$Q = \frac{(E_{b1} - E_{b2})}{\frac{1-\epsilon_1}{A_1\epsilon_1} + \frac{1}{A_1F_{1-2}} + \frac{1-\epsilon_2}{A_2\epsilon_2}}, \text{ as } F_{1-2} = 1$$

$$Q = \frac{A_1(E_{b1} - E_{b2})}{\frac{1}{\epsilon_1} + \frac{A_1}{A_2}\left(\frac{1-\epsilon_2}{\epsilon_2}\right)} = \frac{A_1(E_{b1} - E_{b2})}{\frac{1}{\epsilon_1} + \frac{A_1}{A_2}\left(\frac{1}{\epsilon_2} - 1\right)} \quad \dots(13.32)$$

3. **Radiation Shields:** Any surface placed in between two surfaces introduces additional surface resistance reducing heat transfer. This is known as radiation shield and is extensively used in practice.

13.7.2. Heat exchange among more than two surfaces: It is easy to visualise such exchanges using the resistance network.

Figure 13.31 (a) shows such network for three surfaces seeing only each other ($F_{ii} = 0$)

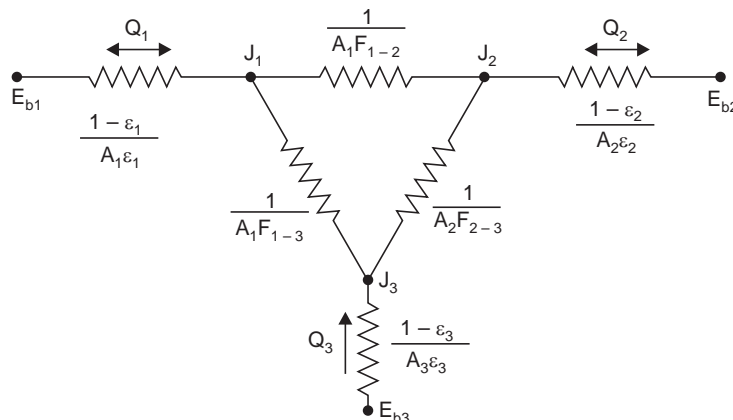


Fig. 13.31. (a) Equivalent network for three gray surfaces which see each other only.

These circuits can be solved using electrical network analysis. This concept can be extended to any number of surfaces also.

A special case of such surface is when one of the surfaces becomes a non-absorbing, reradiating one. As there is no net flow into and out of the surface 3, E_{b3} becomes equal to J_3 and the equivalent circuit is shown in Fig. 13.31 (b).

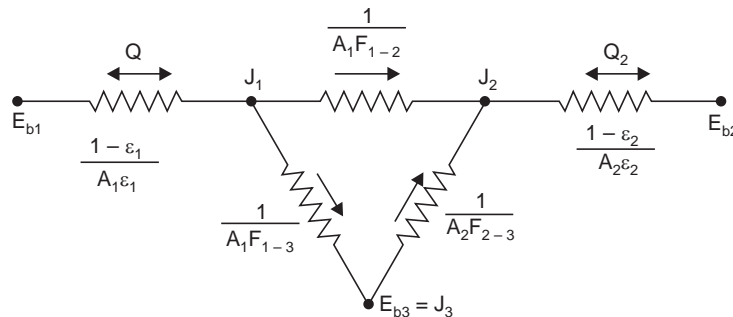


Fig. 13.31. Circuit with reradiation – 3 surface.

This circuit can be easily solved for as a simple parallel circuit (see example 13.18).

Example 13.20: Consider the data of example 13.13. In a furnace of $2 \times 1.5 \times 1$ m size, floor is at 1000 K and other surfaces are at 600 K. The surface emissivity for the floor is 0.8 and for the other surfaces it is 0.5. Determine the heat exchange by radiation from (i) floor to each of side walls and (ii) floor to roof.

Solution: The shape factor values are taken from example 13.13 (Also refer to Fig. 13.22)

In this case heat flow is only from floor to other surfaces

From floor to smaller side walls (end)

$$F_{1-2} = 0.14$$

From floor to longer side walls

$$F_{1-3} = 0.18$$

From floor to ceiling

$$F_{1-4} = 0.360 \quad \text{check } (0.36 + 2 \times 0.18 + 2 \times 0.14) = 1$$

Heat flow to end walls from floor:

$$Q = (E_{b1} - E_{b2}) / \left[\frac{1 - \epsilon_1}{A_1 \epsilon_1} + \frac{1}{A_1 F_{1-2}} + \frac{1 - \epsilon_2}{A_2 \epsilon_2} \right]$$

$$E_{b1} = \sigma T_1^4 = 5.67 \times \left(\frac{1000}{100} \right)^4 = 56700 \text{ W/m}^2$$

$$E_{b3} = E_{b4} = E_{b2} = \sigma T_2^4 = 5.67 \times \left(\frac{600}{100} \right)^4 = 7348.32 \text{ W/m}^2$$

$$(1 - \epsilon_1) / A_1 \epsilon_1 = (1 - 0.8) / 2 \times 1.5 \times 0.8 = 0.08333$$

$$1 / A_1 F_{1-2} = 1 / 2 \times 1.5 \times 0.14 = 2.381$$

$$(1 - \varepsilon_2)/A_2\varepsilon_2 = (1 - 0.5)/(1.5 \times 1 \times 0.5) = 0.6667$$

$$\therefore \mathbf{Q_{1-2} = \frac{(56700 - 7348.32)}{0.08333 + 2.381 + 0.6667} = 15762 \text{ W}}$$

This is the heat flow to the two end walls each.

Heat flow to side walls.

$$(1 - \varepsilon_1)/A_1\varepsilon_1 = 0.08333$$

$$1/A_1F_{1-3} = 1/2 \times 1.5 \times 0.18 = 1.8519$$

$$(1 - \varepsilon_3)/A_3\varepsilon_3 = (1 - 0.5)/2 \times 1 \times 0.5 = 0.5$$

$$\therefore \mathbf{Q_{1-3} = (56700 - 7348.32)/(0.08333 + 1.8519 + 0.5) = 20266 \text{ W.}}$$

This is to each of the side walls.

Heat flow to the ceiling

$$(1 - \varepsilon_1)/A_1\varepsilon_1 = 0.08333$$

$$1/A_1F_{1-4} = 1/(2 \times 1.5 \times 0.36) = 0.9259$$

$$(1 - \varepsilon_4)/A_4\varepsilon_4 = (1 - 0.5)/2 \times 1.5 \times 0.5 = 0.3333$$

$$\therefore \mathbf{Q_{1-4} = (56700 - 7348.32)/(0.08333 + 0.9259 + 0.3333) = 36759 \text{ W.}}$$

Example 13.21: Determine the heat transfer from floor to ceiling in example 13.18, if all the side walls act as reradiating walls. Also determine the average temperature of reradiating walls. The equivalent circuit is shown in Fig. 13.32.

Solution: Also refer Fig. 13.12

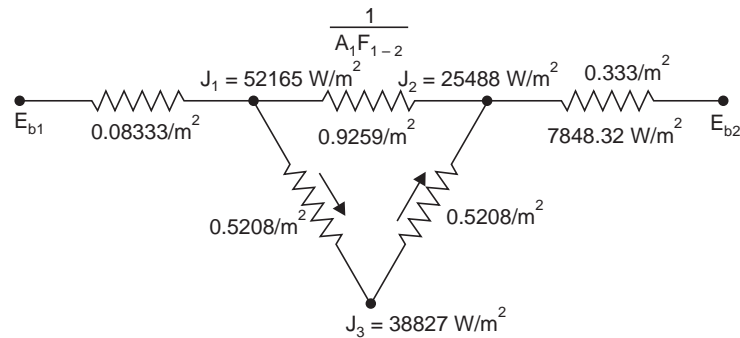


Fig. 13.32

Using the values of problem 13.20

$$(1 - \varepsilon_1)/A_1\varepsilon_1 = 0.08333$$

$$1/A_1F_{1-4} = 1/(2 \times 1.5 \times 0.36) = 0.9259$$

$$(1 - \varepsilon_4)/A_4\varepsilon_4 = (1 - 0.5)/2 \times 1.5 \times 0.5 = 0.3333$$

$$\frac{1}{A_1F_{1-3,2}} = \frac{1}{2 \times 1.5 \times (2 \times 0.14 + 2 \times 0.18)} = 0.5208 = \frac{1}{A_4F_{4-3,2}}$$

The equivalent resistance between J_1 and J_2 is

$$R = \frac{1}{\frac{1}{0.9259} + \frac{1}{2 \times 0.5208}} = 0.4902$$

Total resistance between E_{b1} and E_{b2}

$$R_T = 0.08333 + 0.4902 + 0.3333 = 0.9068$$

$$\therefore Q = \frac{56700 - 7348.32}{0.9068} = 54422 \text{ W}$$

as compared to 36759 W. The circuit is shown in Fig. 13.33

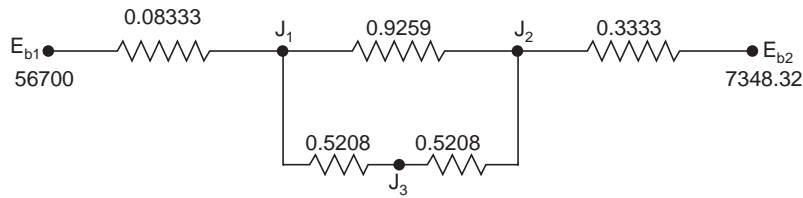


Fig. 13.33

In order to determine the temperature of reradiating surfaces, J_3 should be determined. This is done by considering the nodes J_1 , J_3 , J_2 and equating the flow into each node to zero.

Considering node J_1

$$\frac{E_{b1} - J_1}{0.08333} + \frac{J_2 - J_1}{0.9259} + \frac{J_3 - J_1}{0.5208} = 0 \quad \dots(A)$$

For node J_2 ,

$$\frac{J_1 - J_2}{0.9259} + \frac{J_3 - J_2}{0.5208} + \frac{E_{b2} - J_2}{0.333} = 0 \quad \dots(B)$$

$$\text{For node } J_3 \quad \frac{J_1 - J_3}{0.5208} + \frac{J_2 - J_3}{0.5208} = 0 \quad \dots(C)$$

Equation (C) when solved gives

$$J_3 = (J_1 + J_2)/2 \quad \dots(D)$$

Substituting (D) in equation (A)

$$12E_{b1} - 14.04J_1 + 2.04J_2 = 0 \quad \dots(E)$$

Substituting (D) in equation (B)

$$3E_{b2} + 2.04J_1 - 5.04J_2 = 0 \quad \dots(F)$$

Solving for J_1 and J_2 using equation (E) and (F)

$$J_1 = 52165 \text{ W/m}^2, \quad J_2 = 25488 \text{ W/m}^2, \quad J_3 = 38827 \text{ W/m}^2$$

The corresponding temperatures can be determined using

$$\sigma T^4 = J$$

The values are:

$$\text{Node } J_1 \quad T = 979.4 \text{ K}, \quad \text{Node } J_2, \quad T = 818.8 \text{ K}$$

$$\text{Node } J_3 \text{ or the reradiating wall temperature} = 909.7 \text{ K}$$

A check for the vlaues:

$$Q = (E_{b1} - J_1)/[(1 - \epsilon_1)/A_1\epsilon_1]$$

$$= [56700 - 52165]/0.08333 = 54420 \text{ W}$$

So the values should be correct. Check between J_1 and J_2 , J_3 and E_{b2} also.

Example 13.22: Consider the cylindrical furnace of example 13.19. If emissivities of the base and top surfaces are 0.8 and 0.5, determine the heat exchange.

Solution: As determined in the example shape factor from the base to the top is 0.17.

$$\therefore Q = \frac{56700 - 7348.32}{\frac{(1 - 0.8)4}{(\pi \times 1 \times 1) \times 0.8} + \frac{1 \times 4}{\pi \times 1 \times 1 \times 0.17} + \frac{(1 - 0.5)4}{\pi \times 1 \times 1 \times 0.5}} = 5434.5 \text{ W}$$

Compared to 6589 for black surface.

Example 13.23: Two large parallel planes are at 1000 K and 600 K. Determine the heat exchange per unit area. (i) if surfaces are black (ii) if the hot one has an emissivity of 0.8 and the cooler one 0.5 (iii) if a large plate is inserted between these two, the plate having an emissivity of 0.2.

Solution: Case (i): The equivalent circuit is shown in Fig. 13.34 (a)

$$Q = \sigma A F_{1-2} (T_1^4 - T_2^4). \text{ As } F_{1-2} = 1$$

for large parallel surfaces, considering unit area.

$$\frac{Q}{A} = 5.67 \times 1 \left[\left(\frac{1000}{100} \right)^4 - \left(\frac{600}{100} \right)^4 \right] = 49352 \text{ W/m}^2$$

Case (ii): The equivalent circuit is shown in Fig. 13.34 (b)

$$\frac{Q}{A} = \frac{(E_{b1} - E_{b2})}{\frac{1 - \epsilon_1}{A_1\epsilon_1} + \frac{1}{A_1F_{1-2}} + \frac{1 - \epsilon_2}{A_2\epsilon_2}} = \frac{56700 - 7348.32}{\frac{0.2}{1 \times 0.8} + 1 + \frac{0.5}{0.5}} = 21934 \text{ W/m}^2$$

Case (iii): The equivalent circuit is shown in Fig. 13.34 (c)

$$\frac{Q}{A} = \frac{56700 - 7348.32}{\frac{1 - 0.8}{0.8} + 1 + \frac{1 - 0.2}{0.2} + \frac{1 - 0.2}{0.2} + 1 + \frac{1 - 0.5}{0.5}} = 4387 \text{ W/m}^2$$

A considerable heat flow reduction is obtained by shielding. This method finds application in insulation. The shields should have low absorptivity and high reflectivity for economical applications.

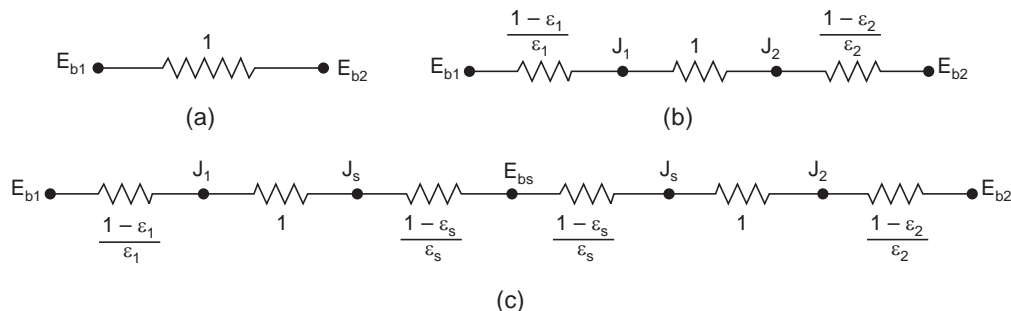


Fig. 13.34. (a) Black surface (b) gray surface (c) with shield.

Example 13.24: Two perpendicular planes of each $2\text{ m} \times 2\text{ m}$ meet at a common edge. The horizontal plane has an emissivity of 0.4 and the vertical plane has an emissivity of 0.6. If these planes are at 400 K and 600 K determine the radiation exchange.

Solution: Refer problem 13.14. The shape factor from the horizontal to the vertical plane is 0.20004 (From chart). The equivalent circuit is shown in several problems.

The heat flow is given by

$$Q = \frac{5.67 \left[\left(\frac{600}{100} \right)^4 - \left(\frac{400}{100} \right)^4 \right]}{\frac{1-0.4}{4 \times 0.4} + \frac{1}{4 \times 0.20004} + \frac{1-0.6}{4 \times 0.6}} = 3292 \text{ W.}$$

13.8 EFFECT OF RADIATION ON MEASUREMENT OF TEMPERATURE BY A BARE THERMOMETER

When a bare thermometer is used to measure the temperature of a flowing gas, errors will be introduced if the container or duct wall temperature is different from that of the gas.

The thermometer when it comes to thermal equilibrium will not be at the gas temperature for this situation. As it will lose heat by radiation to the walls its temperature will lie between the gas temperature and wall temperature. Using the following notations, the energy balance can be written as in equation (13.33).

T_g – gas temperature, K, T_w – wall temperature, K

T_t – thermometer temperature, K, A_t – thermometer surface area (bead or bulb)

$$h A_t (T_g - T_t) = A_t \sigma \epsilon_t [T_t^4 - T_w^4] \quad \dots(13.33)$$

The error in measurement is $(T_g - T_t)$ and this can be reduced by increasing h or by using a shield between the thermometer and the wall, so that the thermometer does not see the wall. It is better to have the shield made of surface with high reflectivity or low emissivity. The shape factor for the thermometer to the walls is unity. If the quantities are specified T_g or T_t can be calculated and the error can be established.

In order to reduce the error a shield is placed over the thermometer. If the area of the shield is A_s and temperature T_s , then two equations for the energy balance of the thermometer and that of the shield can be written as follows.

For the shield

$$2 A_s h_s (T_g - T_s) + A_t \sigma \epsilon_t [T_t^4 - T_s^4] = A_s \epsilon_s \sigma (T_s^4 - T_w^4) \quad \dots(13.34 (a))$$

For the thermometer:

$$h_t A_t (T_g - T_t) = \sigma A_t \epsilon_t [T_t^4 - T_s^4] \quad \dots(13.34 (b))$$

In order to reduce error A_s should be large compared to A_t and ϵ_s should be small compared to ϵ_t .

Example 13.25: A bare thermometer measuring the temperature of a gas body reads 600 K. The surrounding walls are at 500 K. The thermometer bulb is 3 mm in dia and is spherical, its surface emissivity being 0.7. The convective heat transfer coefficient over the surface is 40 W/m²K. Determine the gas temperature and the error involved.

Solution: Using equation (13.33),

$$40 \times 4 \times \pi \times (0.0015)^2 (T_g - 600) = 4\pi \times 0.0015^2 \times 5.67 \times 0.7 \left[\left(\frac{600}{100} \right)^4 - \left(\frac{500}{100} \right)^4 \right]$$

Solving: $T_g = 666.6 \text{ K}$

An error of 66.6 K is involved. This is rather high. This can be reduced using a shield and also by increasing 'h'. In this case if $h = 80$, then error will be 33.3 K.

13.9 MULTISURFACE ENCLOSURE

Consider an enclosure of N surfaces with $\alpha_1 \dots \alpha_N$, $\rho_1 \dots \rho_N$ and $\varepsilon_1 \dots \varepsilon_N$ at temperature $T_1 \dots T_N$ with radiation exchanges between them. Let the shape factors be determinable.

$$F_{1-1}, F_{1-N}, F_{2-1}, \dots, F_{2-N}, F_{N-1}, \dots, E_{(N-N)} \text{ etc.}$$

working out the energy balance say for surface A .

Let $G_i =$ irradiation on A_i W/m^2

$J_i =$ Radiosity on A_i W/m^2

$q_i =$ Net radiation exchange over surface A_i , W/m^2

From definitions, and using equations (13.28) (a) and (b)

$$q_i = J_i - G_i \quad \dots(13.35)$$

$$J_i = \varepsilon_i E_{bi} + (1 - \varepsilon_i)G_i \quad \dots(13.36)$$

The energy leaving any surface say A_j that reaches surface A_i is given by

$$J_j A_j F_{j-i}$$

Using reciprocity theorem this also equals.

$$J_j A_i F_{i-j}$$

The radiation from all surfaces reaching A_i is given as the sum for $j=1$ to N i.e.,

$$A_i \sum_{j=1}^N J_j F_{i-j}$$

This amount divided by the area A_i gives G_i or

$$G_i = \sum_{j=1}^N J_j F_{i-j} \quad \dots(13.37)$$

substituting for G_i in (13.36)

$$J_i = \varepsilon_i \cdot E_{bi} + (1 - \varepsilon_i) \sum_{j=1}^N J_j F_{i-j} \quad \dots(13.38)$$

$$\text{Rearranging} \quad E_{bi} = \frac{1}{\varepsilon_i} J_i - \frac{(1 - \varepsilon_i)}{\varepsilon_i} \sum_{j=1}^N J_j F_{i-j} \quad \dots(13.39)$$

Substituting in the heat flow equation 13.35

$$q_i = J_i - \sum_{j=1}^N J_j F_{i-j} \quad \dots(13.40)$$

by eliminating the summation term (eqn. 13.38)

$$q_i = \frac{\epsilon_i}{1 - \epsilon_i} [E_{bi} - J_i] \quad \dots(13.40 (a))$$

These three equations are very useful for solving multienclousure problems.

When all surface temperatures and emissivities are specified, this results in N simultaneous equations with N variables (J_N). These equations can be solved by any of the Matrix methods. When J values are solved the heat flow from each surface can be solved for, using the heat flow equation.

Three special cases are to be recognised.

(i) A surface specified as black: In this case, $J_i = E_{bi} = \sigma T_i^4$ and so there will be $N - 1$ equations with $N - 1$ unknowns. The energy balance for the particular area will not yield a separate equation.

$$\begin{aligned} E_{bi} &= \frac{1}{\epsilon_i} J_i - \frac{1 - \epsilon_i}{\epsilon_i} \sum_{j=1}^N J_j F_{i-j} \\ &= J_i - \frac{0}{1} \left[\sum_{j=1}^N J_j F_{i-j} \right] = J_i \end{aligned}$$

So J_i becomes a known quantity to be included in the other equations. (Note: F_{i-i} or F_{j-j} or F_{N-N} will be zero for flat or convex surfaces.)

(ii) When net heat flux is specified instead of temperature:

In this case the heat flux equation should be used for the surfaces for which net heat flux is specified.

$$q_i = J_i - \sum_{j=1}^N J_j F_{i-j}$$

This provides the relationship for the J_i value, and results in N equations and N unknowns.

The temperature T_i can be determined using

$$\sigma T_i^4 = J_i + \frac{1 - \epsilon_i}{\epsilon_i} q_i$$

(iii) Reradiating surface is encountered: Generally in this case emissivity may not be specified as it is immaterial for the solution. Here also the net heat flux equation has to be used with net heat flux being zero. If surface i is reradiating surface, then

$$q_i = 0 = J_i - \sum_{j=1}^N J_j F_{i-j}$$

The equation provides the value for J_i , resulting in N equations and N unknowns. In this case $q_i = 0$, $\sigma T_i^4 = J_i$.

Example 13.26: A cylindrical furnace 1 m dia and 1 m long has one end maintained at 1000 K while the other end is at 600 K. The curved surface is maintained at 400 K. The emissivities are 0.25, 0.5 and 0.5. Determine the heat flow by radiation from each surface.

Solution: This is a 3 surface enclosure. Let the ends be designated as A_1 and A_2 and the curved surface as A_3 .

$$A_1 = A_2 = \pi \times 0.5^2 = 0.25 \pi \text{ m}^2, \quad A_3 = \pi \times 1 \times 1 = \pi \text{ m}^2$$

From chart F_{1-2} is determined as 0.18,

(the parameters are $L/R_1 = 2$, $R_2/L = 0.5$)

$$\begin{aligned} \therefore \quad F_{1-2} = F_{2-1} &= 0.18, & F_{1-3} = F_{2-3} &= 0.82 \\ 0.25 \pi F_{1-3} &= \pi F_{3-1} & \therefore F_{3-1} &= 0.82/4 = 0.205 \\ F_{3-2} &= 0.205 \\ F_{1-1} = 0, \quad F_{2-2} = 0, \quad F_{3-3} &= 1 - 2 \times 0.205 = 0.59 \\ E_{b1} &= 56700, & E_{b2} &= 7348.32, \quad E_{b3} = 1451.52 \text{ W/m}^2 \end{aligned}$$

The equations derived from (13.39) gives

$$\text{Surface 1:} \quad 56700 = \frac{1}{0.25} J_1 - \frac{1-0.25}{0.25} [J_1 F_{1-1} + J_2 F_{1-2} + J_3 F_{1-3}]$$

$$\text{Surface 2:} \quad 7348.32 = \frac{1}{0.5} J_2 - \frac{1-0.5}{0.5} [J_1 F_{2-1} + J_2 F_{2-2} + J_3 F_{2-3}]$$

$$\text{Surface 3:} \quad 1451.52 = \frac{1}{0.5} J_3 - \frac{1-0.5}{0.5} [J_1 F_{3-1} + J_2 F_{3-2} + J_3 F_{3-3}]$$

Substituting the values of shape factors, these equations yield:

$$\begin{aligned} 56700 &= 4 J_1 - 3(J_2 \times 0.18 + 0.82 J_3) \\ 7348.32 &= 2J_2 - (0.18 J_1 + 0.82 J_3) \\ 1451.52 &= 2J_3 - (0.205 J_1 + 0.205 J_2 + 0.59 J_3) \end{aligned}$$

This reduces to

$$\begin{bmatrix} 4 & -0.54 & -2.46 \\ -0.18 & 2 & -0.82 \\ -0.205 & -0.205 & 1.41 \end{bmatrix} \begin{bmatrix} J_1 \\ J_2 \\ J_3 \end{bmatrix} = \begin{bmatrix} 56700 \\ 7348.32 \\ 1451.52 \end{bmatrix}$$

Solving and substituting in eqn. (13.40)

$$q_1 = 13236 \text{ W/m}^2 \quad A_1 = 0.25 \pi \quad \therefore \quad \mathbf{Q_1 = 10395.6 \text{ W}}$$

$$\text{Similarly} \quad q_2 = 851.7 \text{ W/m}^2 \quad A_2 = 0.25 \pi \quad \therefore \quad \mathbf{Q_2 = 668.93 \text{ W}}$$

$$q_3 = -3521.94 \text{ W/m}^2 \quad A_3 = \pi \quad \therefore \quad \mathbf{Q_3 = -11064.51 \text{ W}}$$

Checks are $Q_1 + Q_2 + Q_3 = 0$.

Example 13.27: In the above example, if the surface 3 acts as reradiating surface, determine the net heat flow from each surface.

Solution: The first two equations are the same as in the previous case.

$$\begin{aligned} 56700 &= 4J_1 - 3(0.18 J_2 + 0.83 J_3) \\ 7348.32 &= 2J_2 - (0.18 J_1 + 0.82 J_3) \end{aligned}$$

The third equation now is

$$q_3 = 0 = J_3 - [J_1 F_{3-1} + J_2 F_{3-2} + J_3 F_{3-3}]$$

Substituting shape factor values,

$$J_3 - 0.205 J_1 - 0.205 J_1 - 0.59 J_3 = 0$$

or

$$0.41 J_3 - 0.205 J_1 - 0.205 J_2 = 0$$

This leads to

$$\begin{bmatrix} 4 & -0.54 & -2.46 \\ -0.18 & 2 & -0.82 \\ -0.205 & -0.205 & 0.41 \end{bmatrix} \begin{bmatrix} J_1 \\ J_2 \\ J_3 \end{bmatrix} = \begin{bmatrix} 56700 \\ 7348.32 \\ 0 \end{bmatrix}$$

Solving: $J_1 = 30705.24, J_2 = 16016.32, J_3 = 23360.78 \text{ W/m}^2$

The heat flow is calculated using:

$$q_1 = J_1 - [J_1 F_{1-1} + J_2 F_{1-2} + J_3 F_{1-3}]$$

$$q_2 = J_2 - [J_1 F_{2-1} + J_2 F_{2-2} + J_3 F_{2-3}]$$

$$q_3 = J_3 - [J_1 F_{3-1} + J_2 F_{3-2} + J_3 F_{3-3}]$$

Substituting the values and calculating,

$$q_1 = 8666.45 \text{ W/m}^2, \quad A = 0.25 \pi, \quad \mathbf{Q_1 = 6806.6 \text{ W}}$$

$$q_2 = -8666.45 \text{ W/m}^2 \quad \mathbf{Q_2 = -6806.6 \text{ W}}$$

$$\mathbf{Q_3 = 0 \text{ checks}}$$

as

$$\sigma T_3^4 = J_3 \quad \mathbf{T_3 = 801.17 \text{ K.}}$$

13.10 SURFACES SEPARATED BY AN ABSORBING AND TRANSMITTING MEDIUM

Surfaces separated by glass or a gas body are examples for this situation.

The intervening body absorbs part of radiation between the surfaces.

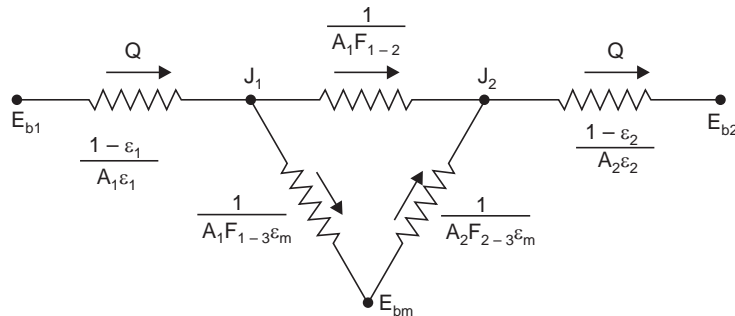


Fig. 13.35. Network for surfaces separated by absorbing and transmitting medium.

The space resistance now can be shown to be

$$\frac{1}{A_1 F_{1-2} (1 - \epsilon_m)} \text{ where } \epsilon_m \text{ is the emissivity of the medium.}$$

Similarly the space resistance between the surface and the medium can be shown to be

$$\frac{1}{A_1 F_{1-m} \cdot \epsilon_m} \quad \text{and} \quad \frac{1}{A_2 F_{2-m} \cdot \epsilon_m}$$

The determination of ϵ_m in the case of gases is made complicated because of its dependence on the pressure, temperature and thickness. In the case of glasses the emissivity depends on the wavelength or the source of radiation.

This method however can be used for a first estimate in such situations.

SOLVED PROBLEMS

Problem 13.1: State and prove Kirchoff's law for heat radiation. Kirchoff's law states that the emissivity of a surface is equal to its absorptivity at any given temperature and wavelength. For gray bodies, this is approximated for all wavelengths. In general application it is also approximated to all temperatures.

Solution: Rigorously $\epsilon_{\lambda T} = \alpha_{\lambda T}$, For grey surfaces $\epsilon_T = \alpha_T$
 general application $\epsilon = \alpha$

Proof: Consider an enclosure at uniform temperature T in which a small body is placed. (Fig. P. 13.1). The walls of the enclosure can be considered as black. After thermal equilibrium is attained, the body temperature will reach that of the walls of the enclosure. The body at this condition has to emit at every wavelength radiation equal to the radiation it absorbs. If G_λ is the irradiation in the space.

$$E_\lambda = \alpha_\lambda G_{b\lambda} \quad \dots(A)$$

$$\frac{E_\lambda}{\alpha_\lambda} = G_{b\lambda} \quad \dots(B)$$

This equation will hold good for any other body also. As $G_{b\lambda}$ is the same.

$$\therefore \frac{E_{\lambda 1}}{\alpha_{\lambda 1}} = \frac{E_{\lambda 2}}{\alpha_{\lambda 2}} = \frac{E_{\lambda 3}}{\alpha_{\lambda 3}} = G_{b\lambda} \quad \dots(C)$$

As α_λ can have a maximum value of unity at which E_λ will equal $E_{b\lambda}$

$$G_{b\lambda} = E_{b\lambda}$$

Using equation (A)

$$\epsilon_\lambda E_{b\lambda} = \alpha_\lambda G_{b\lambda} \quad \dots(D)$$

As this is considered at temperature T ,

$$\therefore \epsilon_{\lambda T} = \alpha_{\lambda T}$$

This is rigorously true. However this is generalised as $\epsilon = \alpha$.

Problem 13.2: Show that if emissivity varies with the angle over a surface, the average can be obtained by

$$\epsilon = \int_0^{\pi/2} \epsilon(\theta) \cos \theta \sin \theta d\theta, \text{ Ref. Fig. P.13.2}$$

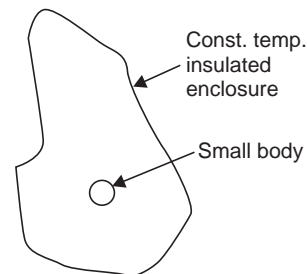


Fig. P.13.1.

Solution: The important assumption here is that over the periphery ϕ the emissivity is uniform. The energy radiated from the area dA_1 in the direction (ϕ, θ) over angles ϕ and $d\phi$ is given by $dA_1 \cos \theta I d\omega$

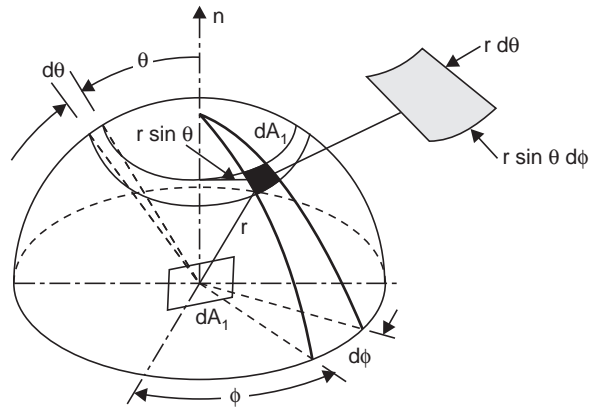


Fig. P.13.2

The sides of the element considered are $r d\theta$ and $r \sin \theta d\phi$

$$\therefore \text{area} = r^2 \sin \theta d\theta d\phi$$

The solid angle subtended by this area, $d\omega = \text{area}/r^2$

$$\therefore d\omega = \sin \theta d\theta d\phi$$

$$\therefore \text{Energy radiated per unit area in the } d\omega \text{ direction} \\ = I \cos \theta \sin \theta d\theta d\phi$$

Total over the surface of the hemisphere is

$$= \int_0^{2\pi} \int_0^{\pi/2} I \cos \theta \sin \theta d\theta d\phi$$

first integrating around the strip,

$$= 2 \int_0^{\pi/2} \pi I \cos \theta \sin \theta d\theta$$

$$= 2 \int_0^{\pi/2} E \cos \theta \sin \theta d\theta. \text{ Now this can be integrated along } \theta$$

$$\text{For a black surface} \quad = 2 \int_0^{\pi/2} E_b \cos \theta \sin \theta d\theta$$

If ϵ varies with θ , then Dividing

$$\epsilon = \frac{2 \int_0^{\pi/2} E(\theta) \cos \theta \sin \theta d\theta}{2 \int_0^{\pi/2} E_b \cos \theta \sin \theta d\theta} = \int_0^{\pi/2} \frac{E(\theta)}{E_b} \cos \theta \sin \theta d\theta$$

$$\therefore \epsilon = \int_0^{\pi/2} \epsilon(\theta) \cos \theta \sin \theta d\theta$$

Problem 13.3: A surface is radiating diffusely. Determine the fraction of emissive power in the angular region 0° to 45° from the vertical. (Ref P. 13.2.)

Solution: Energy radiated in the region 0° to 45° upwards

$$\begin{aligned} &= \int_0^{2\pi} \int_0^{\pi/4} I \sin \theta \cos \theta \, d\theta \, d\phi = 2\pi \int_0^{\pi/4} I \sin \theta \cos \theta \, d\theta \\ &= 2\pi I \left[\frac{\sin^2 \theta}{2} \right]_0^{\pi/4} = 2\pi I \left[\frac{0.5 - 0}{2} \right] = 0.5 \pi I = 0.5 E \end{aligned}$$

(For 25° it is $0.25 E$ and For 60° the value is $0.75 E$.)

Problem 13.4: The energy received from the sun at the earth's atmosphere has been measured as 1353 W/m^2 . The diameter of the earth = $1.29 \times 10^7 \text{ m}$. Diameter of the sun = $1.39 \times 10^9 \text{ m}$. Mean distance = $1.5 \times 10^{11} \text{ m}$. Estimate the emissive power of the sun and the surface temperature assuming it to be black. Assuming that the source of energy for the earth is from the sun and earth to be black, estimate the temperature of the earth.

Solution: Using suffix s to denote sun and e to denote earth

The energy received by earth from the sun considering both as disks

$$= A_s I_s \omega = \frac{\pi}{4} D_s^2 I_s \omega = \frac{E_s D_s^2}{4} \omega$$

$$\omega = A_e / R^2 = \pi D_e^2 / 4 \times R^2 \text{ as } A_e = \frac{\pi D_e^2}{4}$$

$$\therefore \text{Energy received} = A_e 1353 \text{ W} = \frac{\pi D_e^2}{4} 1353 \text{ W}$$

$$\therefore \frac{E_s D_s^2}{4} \cdot \frac{\pi D_e^2}{4 R^2} = \frac{\pi D_e^2}{4} \cdot 1353 \text{ or } E_s = 1353 \cdot \frac{4R^2}{D_s^2}$$

$$D_s = 1.39 \times 10^9 \text{ m}, D_e = 1.29 \times 10^7 \text{ m}, R = 1.5 \times 10^{11} \text{ m}$$

substituting $E_s = 63.025 \times 10^6 \text{ W/m}^2$

$$\sigma T_s^4 = E_s = 63.025 \times 10^6 \quad \therefore T_s = 5774 \text{ K}$$

For earth to be in equilibrium.

The earth receives 1353 W/m^2 normal to the area, but radiates all over the hemispherical surface. So

$$1353 \times \frac{\pi D_e^2}{4} = E_e \cdot 2\pi \left(\frac{D_e}{2} \right)^2$$

$$\therefore E_e = 1353/2 \quad \therefore T_e = 330.5 \text{ K.} \quad (\text{Assuming no atmosphere})$$

Problem 13.5: The filament of a light bulb is a rectangle of size $5 \text{ mm} \times 2 \text{ mm}$ and consumes 60 W . The filament is at 2800 K . Determine the efficiency of the bulb assuming visible radiation in the band 0.4 to 0.7 micrometer.

Solution: The fraction of energy falling in the range

$$\lambda T = 0.4 \times 2800 \text{ to } 0.7 \times 2800 \text{ is to be estimated}$$

For $\lambda T = 1120$ the fraction is **0.001409**

For $\lambda T = 1960$ the fraction is **0.061251**

\therefore **fraction in the band is = 0.059842**

Energy in the visible region

$$= 0.059842 \times \sigma \times 2800^4 \times 2 \times 5 \times 2 \times 10^{-6} = \mathbf{4.171 \text{ W}}$$

\therefore **efficiency = 4.171/60 = 0.0695 or 6.95%.**

Problem 13.6: *The temperature of the sun's surface is estimated at 5800 K. Determine the fractions of emissive power falling in the ultra violet (up to 0.4 μm), visible (0.4 to 0.7 μm) and infrared (above 0.7 μm) regions.*

Solution: λT for the various regions and the corresponding fractions are

$$0.4 \times 5800 = 2320 \rightarrow 0.1245088$$

$$0.7 \times 5800 = 4060 \rightarrow 0.4914181$$

\therefore **ultraviolet region: 12.45%.**

visible region: 36.69%

Infrared region: 50.85% (by difference)

A sizeable fraction is in the visible region.

Problem 13.7: *A filament is in the shape of a cylinder of 1 mm dia and 25 mm length and is in an evacuated space enclosed by transparent medium. The filament is initially maintained at 2900 K by power supply. Determine the time needed for the filament to cool to 1300 K after power supply is cut.*

Density $= 19350 \text{ kg/m}^3$, *specific heat* $= 134 \text{ J/kg K}$

Emissivity of the filament $= 0.45$

Solution: The cooling is only by radiation

Energy radiated during a time interval $d\tau$ when the temperature of the filament is T

$$= A_f \sigma \epsilon T^4 d\tau, A_f = \pi DL, V = \pi D^2 L/4$$

This should equal the change in internal energy

$$= -V c \rho dT$$

$$\therefore \frac{dT}{T^4} = -\frac{4\sigma\epsilon}{D c\rho} d\tau$$

Integrating

$$\left[-\frac{T^{-3}}{3} \right]_{2900}^{1300} = \frac{-4 \times 5.67 \times 10^{-8} \times 0.45}{0.001 \times 134 \times 19350} \cdot \tau$$

$$-\frac{1}{3 \times 1300^3} + \frac{1}{3 \times 2900^3} = -3.936 \times 10^{-11} \tau$$

Solving $\tau = 3.5$ seconds.

Problem 13.8: Hot gases are produced continuously at 1 atm and 1400 K in a spherical combustion chamber of 1 m dia. The gases contain 16% CO_2 and rest being N_2 and O_2 . If the wall is black and is maintained at 500 K, determine the heat flow from the gas to the wall.

Solution: In this case only carbon dioxide is radiating. The partial pressure of $\text{CO}_2 = 0.16$ atm.

The beam length $= 0.65 D = 0.65$ m

$$\therefore Pl = 0.104$$

The emissivity value is read from the chart as **0.096**

No pressure corrections is required in this case as the total pressure is 1 atm. No correction is required for associated gas presence also.

The absorptivity has to be determined corresponding to the wall temperature of 500 K.

$$\alpha = \left(\frac{T_g}{T_s} \right)^{0.65} \cdot \epsilon Pl'$$

$$Pl' = Pl \cdot T_s/T_g = 0.104 \times 500/1400 = \mathbf{0.0371}$$

The value of ϵ is read as 0.075

$$\therefore \alpha = \left(\frac{1400}{500} \right)^{0.65} \times 0.075 = \mathbf{0.1465}$$

$$Q = A\sigma (\epsilon_g T_g^4 - \alpha_g T_s^4) = 4\pi \times 0.5^2 \times 5.67 [0.096 (14)^4 - 0.1465(5)^4] \\ = \mathbf{65.02 \times 10^3 \text{ W or } 65.02 \text{ kW.}}$$

Problem 13.9: A gas turbine combustion chamber can be considered as a cylinder of 0.2 m dia and 0.9 m length. The combustion gases are at 8 atm and 1300 K. The partial pressure of CO_2 is 0.8 atm and that of water vapour 0.8 atm. The walls are at 800 K. Determine the heat flux from the gas to the chamber surface.

Solution: The characteristic length can be determined using long cylinder approximation

$$l = 0.95 D = 0.95 \times 0.2 = 0.190 \text{ m}$$

for both gases $Pl = 0.8 \times 0.19 = 0.152$ m atm

Emissivity of CO_2 : Reading from chart, at 1300 K

$$\epsilon_{\text{CO}_2} = 0.11, C_{\text{CO}_2} = 1.4 \text{ (extrapolated)}$$

Emissivity of H_2O

$$\epsilon_{\text{H}_2\text{O}} = 0.12, C_{\text{H}_2\text{O}} = 1.8 \text{ (extrapolated)}$$

The correction factor for the simultaneous presence of the two radiating gases is read as (C denotes CO_2 and w denotes water vapour)

$$P_w/(P_c + P_w) = 0.8/(0.8 + 0.8) = 0.5$$

$$P_w l + P_c l = 0.304 \text{ m atm}$$

$$\Delta\epsilon = 0.04$$

$$\therefore \epsilon = 0.11 \times 1.4 + 0.12 \times 1.8 - 0.04 = \mathbf{0.33}$$

Absorptivity values are determined corresponding to the surface temperature

$$\alpha_w = C_w \left(\frac{T_g}{T_s} \right)^{0.45} \cdot \epsilon_w Pl$$

$$Pl' = 0.152 \times \frac{800}{1300} = 0.094 \text{ m atm}$$

The value of ϵ are read at this value as 0.105 and 0.15 for CO_2 and H_2O

$$\alpha_w = 1.8 \left(\frac{1300}{800} \right)^{0.45} \times 0.15 = 0.336$$

$$\alpha_{\text{CO}_2} = 1.4 \left(\frac{1300}{800} \right)^{0.65} \times 0.105 = 0.201$$

(Note. The correction factors are, extrapolated values for H_2O at this condition is also 1.8)

$$\Delta\epsilon = 0.04$$

$$\therefore \alpha_g = 0.336 + 0.201 - 0.04 = 0.497$$

\therefore Heat transfer per unit area:

$$q = \sigma [\epsilon_g T_g^4 - \alpha_g T_s^4] = 5.67 [0.33 (13)^4 - 0.497 (8)^4] \\ = 41898 \text{ or } 41.9 \text{ kW/m}^2.$$

Problem 13.10: The combustion gases in a Lancashire type of boiler flows through the flue tube of 0.6 m dia and 6 m length. The gas is at 1200 K. The walls are at 500 K. The gases contain 18% CO_2 and 12% H_2O by volume. The total pressure is 1 atm. Assuming the surface to be black determine the heat flux by radiation from the gases to the wall.

Solution: Long cylinder configuration can be assumed.

$$\text{Beam length} = 0.95 D = 0.570 \text{ m}$$

Partial pressures of CO_2 and H_2O are 0.18 and 0.12 atm

$$\therefore Pl_c = 0.1026 \quad Pl_w = 0.684$$

The values of emissivities and correction factors are read from chart:

(c denotes CO_2 and w denotes water vapour)

$$\epsilon_c = 0.105 \quad C_c = 1$$

$$\epsilon_w = 0.085 \quad C_w = 1.05$$

$$\Delta\epsilon = 0.02$$

$$\therefore \epsilon = 0.105 + 1.05 \times 0.085 - 0.02 = 0.174$$

The absorptivity values are determined using modified Pl values

$$Pl'_c = 0.1025 \times \frac{500}{1200} = 0.043$$

$$Pl'_w = 0.0684 \times \frac{500}{1200} = 0.029$$

$$\alpha_c = C_c \left(\frac{T_g}{T_w} \right)^{0.65} \cdot \epsilon_c \quad \text{reading for } \epsilon_c \text{ from chart}$$

$$= 1 \times \left(\frac{1200}{500} \right)^{0.65} \times 0.08 = 0.141$$

$$\alpha_w = 1.05 \times \left(\frac{1200}{500} \right)^{0.45} \times 0.098 = 0.153$$

$$\Delta\epsilon = 0.020$$

$$\therefore \alpha_g = 0.141 + 0.153 - 0.02 = \mathbf{0.274}$$

$$\therefore \mathbf{q} = 5.67 [0.174 (12)^4 - 0.274 (5)^4] = \mathbf{19487 \text{ W/m}^2}.$$

Problem 13.11: A gas flow between two large parallel planes 0.7 m apart is at 1000°C. The plates are at 500°C. The gas is at 3 atm and contains 20% CO₂ and 15% H₂O by volume, the rest being non radiating gases. Calculate the heat exchange with the plates per unit area.

Solution: $L = 0.7 \times 1.8 = 1.26 \text{ m}$, $P_{\text{CO}_2} = 3 \times 0.2 = 0.6 \text{ atm}$, $P_{\text{H}_2\text{O}} = 3 \times 0.15 = 0.45 \text{ atm}$ denoting CO₂ by c and H₂O by w , $P_c L_c = 0.756$, $P_w L_w = 0.567 \text{ matm}$, From chart $\epsilon_w = 0.24$, $C_w = 1.4$, $\epsilon_c = 0.185$, $C_c = 1.2$, $\Delta\epsilon = 0.054$, $\epsilon = \mathbf{0.504}$. Absorptivity is determined corresponding to wall temperature as

$$Pl'_c = \frac{773}{1273} \cdot 0.756 = 0.459, \quad Pl'_w = \frac{773}{1273} \cdot 0.567 = 0.344$$

Reading from chart

$$\alpha_w = 0.27, \quad C_w = 1.45$$

$$\alpha_c = 0.17, \quad C_c = 1.13, \quad \Delta\epsilon = 0.028$$

$$\alpha_w = 1.45 \times 0.27 \left(\frac{1273}{773} \right)^{0.45} = 0.49$$

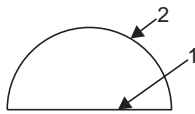
$$\alpha_c = 1.13 \times 0.17 \left(\frac{1273}{773} \right)^{0.65} = 0.266$$

$$\alpha_g = 0.266 + 0.49 - 0.028 = \mathbf{0.728}$$

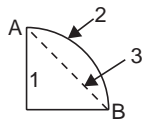
$$\begin{aligned} \mathbf{q} &= (\epsilon_g E_{bg} - \alpha_g E_{bw}) \\ &= 5.67 [0.504 (12.73)^4 - 0.728 (7.73)^4] \\ &= \mathbf{60308 \text{ W/m}^2} \quad \text{or} \quad 60.31 \text{ kW/m}^2. \end{aligned}$$

Problem 13.12: Determine the shape factor F_{1-2} and F_{2-1} for the following cases shown in Fig P.13.12. Also find F_{2-2} .

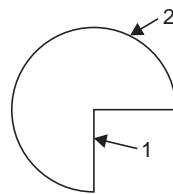
Solution: (a) **Surface 1** is the base of hemisphere. All the radiation from surface 1 reaches surface 2. Hence $F_{1-2} = 1$



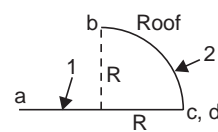
(a) Hemisphere



(b) Long duct



(c) Long duct



(d) Long roof

Fig. 13. P.12

Using reciprocity relations, as surface area of hemisphere is $2\pi r^2$

$$A_1 F_{1-2} = A_2 F_{2-1}, \quad \frac{\pi D^2}{4} \times 1 = 2\pi (D/2)^2 F_{2-1}$$

$$\therefore \mathbf{F_{2-1} = 0.5}$$

Considering surface 2, $F_{2-1} + F_{22} = 1 \quad \therefore \mathbf{F_{22} = 0.5}$

Half the radiation from the hemisphere surface is intercepted by itself.

(b) Quarter of long cylinder:

An imaginary surface joining edges *A* and *B* is named surface 3.

$$F_{3-2} = 1 \text{ as all radiations from surface 3 reaches surface 2.}$$

By reciprocity rule

$$A_3 F_{3-2} = A_2 F_{2-3}$$

Considering unit length

$$\sqrt{2} \cdot R \cdot 1 = \frac{\pi}{2} \cdot R \cdot F_{2-3}$$

$$F_{2-3} = 0.9003$$

$$\therefore F_{2-2} = 1 - 0.9003 = 0.0997$$

Now considering surface 1, and the perpendicular surface,

$$2F_{2-1} + F_{2-2} = 1 \quad \therefore F_{2-1} = 0.4502$$

Using reciprocity theorem,

$$A_1 F_{1-2} = A_2 F_{2-1}$$

Considering, unit length,

$$R \cdot F_{1-2} = \frac{\pi}{2} \cdot R \times 0.4502$$

$$\therefore F_{1-2} = 0.7070$$

Shape factor to the perpendicular surface from surface 1

$$F_{1-4} = 1 - 0.7070 = \mathbf{0.2930}.$$

This can be checked by crossed string method which gives, (0.2929)

(c) For the long duct considering the surface 1, (it does not see itself):

$$\text{So } F_{1-2} = 1$$

By reciprocity rule

$$A_1 F_{1-2} = A_2 F_{2-1}$$

considering unit length

$$2R \times 1 = 1.5 \pi R F_{2-1} \quad \therefore F_{2-1} = 0.4244$$

$$\therefore \mathbf{F_{2-2} = 1 - 0.4244 = 0.5756}$$

(d) The shape factor is calculated using crossed string method. ($R = 1$)

$$F_{1-2} = \frac{(ad + bc) - (ab + cd)}{2L_1} = \frac{(2 + \sqrt{2}) - (\sqrt{2} + 0)}{2 \times 2} = 0.5$$

This can be also checked by extending the roof as a half cylinder. Shape factor for base to full cylinder = 1. To the quarter cylinder shape factor = 0.5.

$$A_1 F_{1-2} = A_2 F_{2-1}$$

$$2 \times 0.5 = \frac{\pi \times 1}{2} \times F_{2-1} \quad \therefore F_{2-1} = 0.6366$$

F_{2-2} from previous example $\rightarrow 0.0997$

$$\therefore F_{2-\text{space}} = 0.2637 \rightarrow (1 - 0.6366 - 0.0997)$$

$$\therefore F_{1-\text{space}} = 1 - 0.5 = 0.5.$$

Problem 13.13: Considering the following long grooves of width $2R$ determine the shape factors from the grooves to the outside and also the grooves to themselves. (Fig. P.13.13).

Solution: (a) **Circular groove:** Considering a fictitious surface to cover the groove and calling it as surface 2.

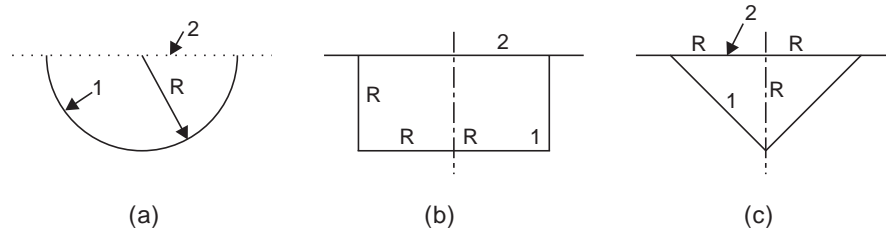


Fig. P.13.13

$$F_{2-1} = 1 \text{ as all radiation from the cover reaches the groove}$$

By reciprocity rule

$$A_1 F_{1-2} = A_2 F_{2-1}$$

(a) Considering unit length, for hemispherical groove

$$\pi R F_{1-2} = 2R \times 1$$

$$\therefore F_{1-2} = 2/\pi = 0.6366$$

$$F_{1-1} = 1 - 0.6366 = 0.3634$$

(b) **Rectangular groove:**

$$F_{2-1} = 1$$

$$A_1 F_{1-2} = A_2 F_{2-1}$$

$$4R F_{1-2} = 2R \times 1 \quad \therefore F_{1-2} = 0.5, \quad \therefore F_{1-1} = 0.5.$$

(c) **Triangular groove:** Considering a fictitious cover – 2,

$$F_{2-1} = 1,$$

$$A_1 F_{1-2} = A_2 F_{2-1}$$

Considering unit length

$$2\sqrt{2} R F_{1-2} = 2R F_{2-1} \quad \therefore F_{1-2} = 0.7071, \quad \therefore F_{1-1} = 0.2929$$

Between the two faces: calling one of the face as $1'$ and the other as $1''$

$$2F_{2-1'} = 1, \quad \therefore F_{2-1'} = 0.5$$

$$A_2 F_{2-1'} = A_{1'} F_{1'-2}$$

$$2R \times 0.5 = \sqrt{2} R F_{1'-2}$$

$$2R \times 0.5 = \sqrt{2} R F_{1'-2}$$

$$\therefore F_{1'-2} = 1/\sqrt{2} = 0.7071$$

$$\therefore F_{1'-1''} = 1 - 0.7071 = 0.2929$$

Problem 13.14: Determine the shape factor between surfaces 1–2 and also 2 to 1. Also determine the heat flow if $T_1 = 1000\text{ K}$ and $T_2 = 5000\text{ K}$, (Fig. P.13.14)

Solution:

$$\epsilon_1 = 0.6, \epsilon_2 = 0.4$$

$$F_{1-2,3} = F_{1-2} + F_{1-3}$$

height of vertical plane/width = $0.6/1 = 0.6$

length of horizontal plane/width = $1/1 = 1$, from chart

$$\therefore F_{1-2,3} = 0.16138$$

$$F_{1-3}$$

height of vertical plane/width = 0.4

length of horizontal plane/width = 1 .

$$F_{1-3} = 0.1277$$

$$\therefore F_{1-2} = 0.16138 - 0.1277 = \mathbf{0.03368}$$

$$A_1 F_{1-2} = A_2 F_{2-1}$$

$$1 \times 1 \times 0.03368 = 1 \times 0.2 \times F_{2-1} \quad \therefore F_{2-1} = \mathbf{0.1684}$$

$$Q = \frac{\sigma(T_1^4 - T_2^4)}{\frac{1 - \epsilon_1}{A_1 \epsilon_1} + \frac{1}{A_1 F_{12}} + \frac{1 - \epsilon_2}{A_2 \epsilon_2}}$$

$$= \frac{5.67(10^4 - 5^4)}{\frac{1 - 0.6}{1 \times 0.6} + \frac{1}{1 \times 0.03368} + \frac{1 - 0.4}{0.2 \times 0.4}} = \mathbf{1404.1\text{ W}}$$

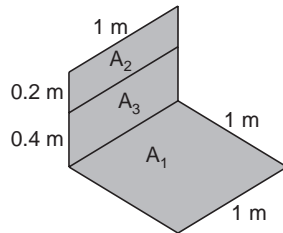


Fig. P.13.14

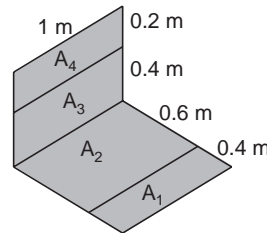


Fig. P.13.15

Problem 13.15: Determine the shape factor between the surfaces 1–4 and 4–1. Also determine the heat flow if $\epsilon_1 = 0.4$ and $\epsilon_4 = 0.6$ and $T_1 = 1000\text{ K}$ and $T_4 = 500\text{ K}$ (Fig. P.13.15)

Solution:

$$A_{1,2} F_{1,2-3,4} = A_1 F_{1-3,4} + A_2 F_{2-3,4} \quad \dots(A)$$

$F_{1,2-3,4}$ and $F_{2-3,4}$ can be evaluated.

$$A_1 F_{1-3,4} = A_1 F_{1-3} + A_1 F_{1-4}$$

Also

$$A_1 F_{1-3} = A_3 F_{3-1}$$

$$F_{3-1} = F_{3-2,1} - F_{3-2}$$

$F_{3-2,1}$ and F_{3-2} can be evaluated, so

$$A_1 F_{1-3,4} = A_3 (F_{3-2,1} - F_{3-2}) + A_1 F_{1-4}$$

substituting in A

$$A_{1,2} F_{1,2-3,4} = A_3 (F_{3-2,1} - F_{3-2}) + A_1 F_{1-4} + A_2 F_{2-3,4} \quad \dots(B)$$

The only unknown is F_{1-4}

Evaluating the various shape factors:

$F_{1,2-3,4}$ horizontal length to width = 1, vertical length to width = 0.6

$$\therefore F_{1,2-3,4} = 0.16138$$

$F_{3-2,1}$ Consider 3 as horizontal for use of charts,

horizontal length to width = 0.4

Vertical length to width = 1

$$F_{3-2,1} = 0.31924$$

F_{3-2} as in $F_{3-2,1}$ horizontal length to width = 0.4

vertical length to width = 0.6

$$\therefore F_{3-2} = 0.28809$$

$F_{2-3,4}$ horizontal length to width = 0.6

Vertical length to width = 0.6

$$\therefore F_{2-3,4} = 0.23147, \text{ substituting in } B \text{ after rearrangement.}$$

$$F_{1-4} = \frac{1}{A_1} \left[A_{1,2} F_{1,2-3,4} + A_3 F_{3-2} - A_2 F_{2-3,4} - A_3 F_{3-2,1} \right]$$

$$= \frac{1}{0.4} \left[1 \times 0.16138 + 0.4 \times 0.28809 - 0.6 \times 0.23147 - 0.4 \times 0.31924 \right] = \mathbf{0.0251}$$

$$A_1 F_{1-4} = A_4 F_{4-1}$$

$$\therefore F_{4-1} = 0.4 \times 0.0251 / 0.2 = \mathbf{0.0502}$$

$$\text{Heat flow } 1-4 \quad Q = \frac{5.67 [10^4 - 5^4]}{\frac{1-0.4}{0.4 \times 0.4} + \frac{1}{0.4 \times 0.0251} + \frac{1-0.6}{0.2 \times 0.6}} = \mathbf{498.24 \text{ W.}}$$

Problem 13.16: Determine the shape factor between surfaces 1 and 4 in the following Fig. (P.13.16 (a) and (b)).

Solution : (a) $A_{1,2} F_{1,2-3,4} = A_1 F_{1-3,4} + A_2 F_{2-3,4}$... (A)

$$A_1 F_{1-3,4} = A_1 F_{1-3} + A_1 F_{1-4}$$

$$A_2 F_{2-3,4} = A_2 F_{2-3} + A_2 F_{2-4}$$

$$A_2 F_{2-3} = A_3 F_{3-2}$$

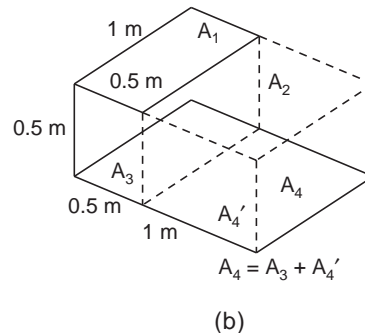
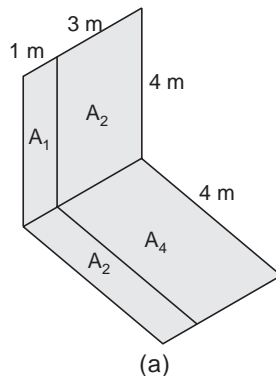


Fig. P.13.16. (a, b)

As areas A_1 and A_3 are equal and also A_2 and A_4 are equal.

$$A_3 F_{3-2} = A_1 F_{1-4}$$

substituting in A ,

$$\begin{aligned} A_{1,2} F_{1,2-3,4} &= A_1 F_{1-3} + A_2 F_{2-4} + A_1 F_{1-4} + A_3 F_{3-2} \\ &= A_1 F_{1-3} + A_2 F_{2-4} + 2 A_1 F_{1-4} \end{aligned} \quad \dots(B)$$

$F_{1,2-3,4}$, F_{1-3} , F_{2-4} can be determined directly from charts as these areas are rectangles with common edge and at right angles.

$F_{1,2-3,4}$: ratios of lengths to common edge are both equal to 1, Reading from chart

$$F_{1,2-3,4} = 0.2004$$

F_{1-3} Both ratios are 4, $F_{1-3} = 0.10136$

F_{2-4} The ratios are $4/3 = 1.333$ each and $F_{2-4} = 0.182$ (interpolated)

Substituting in B

$$\therefore 4 \times 4 \times 0.2004 = 4 \times 0.10136 + 4 \times 3 \times 0.182 + 2 \times 4 F_{1-4}$$

$$\text{Solving} \quad F_{1-4} = 0.077$$

(b) In this case the shape factor is from the small parallel area to the larger area. Extend it and name the parts as 1, 2, 3, 4' as in figure, then using similar arguments as in (a) eqn. (B) $A_4 = A_3 + A_{4'}$

$$A_{1,2} F_{1,2-3,4'} = A_1 F_{1-3} + A_2 F_{2-4'} + 2 A_1 F_{1-4'}$$

All values except $F_{1-4'}$ can be determined.

$F_{1,2-3,4'}$: longer side to inter plane distance = $1.5/0.5 = 3$
shorter side to interplane distance = $1/0.5 = 2$

$$\therefore F_{1,2-3,4'} = 0.475 \text{ (chart)}$$

F_{1-3} : longer side to inter plane distance = $1/0.5 = 2$
shorter side to interplane distance = $0.5/0.5 = 1$

$$\therefore F_{1-3} = 0.28588$$

$F_{2-4'}$: longer side to inter plane distance = $1/0.5 = 2$
shorter side to interplane distance = $1/0.5 = 2$

$$F_{2-4'} = 0.41525$$

$$\text{Solving} \quad F_{1-4'} = 0.15431$$

$$\text{But} \quad F_{1-4} = F_{1-3} + F_{1-4'} = 0.28588 + 0.15431 = 0.44019.$$

Problem 13.17: A cylindrical electrical heater with heating from the inside curved surface shown in Fig. P.13.17 radiates to a circular disk coaxial with the cylinder. Determine the shape factor from the internal surface of the cylinder to the disk.

Solution: Consider the heater base $AA(2)$, The shape factor from curved surface to plane AA can be first determined. The shape factor between $AA(2)$ and the disk can then be determined.

The product will be the shape factor from the curved surface to the disk.

$$i.e. \quad F_{1-2} \times F_{2-4} = F_{1-4}$$

Considering the base $AA(2)$ and top $BB(3)$, circles of 1 m dia, displaced by 1 m, the shape factor is obtained from chart as $F_{3-2} = 0.18$

$$\begin{aligned} \therefore F_{3-2} + F_{3-1} &= 1 \text{ as surface 2 and 1 enclose 3.} \\ \therefore F_{3-1} &= 1 - 0.18 = \mathbf{0.82} \\ A_3 F_{3-1} &= A_1 F_{1-3} \frac{\pi \times 1 \times 1}{4} \cdot 0.82 = \pi \times 1 \times 1 \times F_{1-3} \\ \text{Solving } F_{1-3} &= F_{1-2} = \mathbf{0.205} \end{aligned}$$

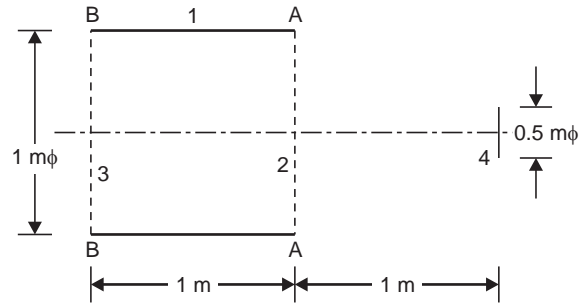


Fig. P.13.17

To find F_{2-4} : The surfaces 2 and 4 are coaxial unequal disks and using the chart with parameters as (i) diameter of larger disk to interplane distance = 1 and (ii) interplane distance to diameter of smaller disk = 2

$$\begin{aligned} F_{2-4} &= \mathbf{0.12} \\ \therefore F_{1-4} &= 0.205 \times 0.12 = \mathbf{0.0246} \end{aligned}$$

The heat flow rate can be calculated if other parameters are specified.

Problem 13.18: An oven of section as shown in Fig. P.13.18 has its curved surface maintained at 600 K. The flat surface is at 300 K. The oven is used for drying. Determine the heat transfer rate per m length of oven. The surfaces may be assumed as black. The oven may be considered as a long one.

Solution: $F_{1-2} = 1$ as all the radiation from surface 1 is completely intercepted by surface 2.

$$A_1 F_{1-2} = A_2 F_{2-1}$$

Considering unit length

$$D \times 1 \times 1 = \frac{\pi D}{2} \times 1 \times F_{2-1}$$

$$\begin{aligned} \therefore F_{2-1} &= 2/\pi = 0.6366. \\ F_{2-2} &= 1 - 0.6366 = \mathbf{0.3634} \end{aligned}$$

$$\begin{aligned} q &= A_1 F_{1-2} \sigma (E_{b1} - E_{b2}) = \pi \times 0.5 \times 1 \times 0.6366 \times 5.67 (6^4 - 3^4) \\ &= \mathbf{6889 \text{ W/m length.}} \end{aligned}$$

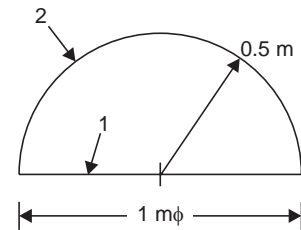


Fig. P.13.18

Problem 13.19: A small circular disk of 15 mm dia (1) is located as shown in Fig P.13.19. Determine the shape factor from the disk to the dome and to the cylinder. Also determine the shape factor for half the length of the cylinder.

Solution: The shape factor from 1 to 2 and 3 should be equal to one as all the radiation from 1 will be intercepted by these surfaces.

Now considering a fictitious surface 4 forming the base of the hemisphere, the shape factor to this surface from 1 can be calculated.

Using equation (13.23 (a)) $F_{1-4} = D^2/(D^2 + 4L^2)$ Where L is the distance between the planes and D is the diameter of the larger disk,

$$F_{1-4} = 0.4^2/(0.4^2 + 4 \times 0.4^2) = 0.2$$

$\therefore F_{1-3} = 0.2$ as the heat intercepted by the base of hemisphere is the quantity reaching the hemisphere.

$$F_{1-2} = 1 - 0.2 = 0.8$$

(ii) Now considering half of the curved surface, introduce a circular surface at the height and call it as 5

$$F_{1-5} = 0.4^2/(0.4^2 + 4 \times 0.2^2) = 0.5$$

\therefore the shape factor to the bottom half of cylinder is $1 - 0.5 = 0.5$. The shape factor to the top half = $0.5 - 0.2 = 0.3$

(This is because the energy intercepted by the surface 5 is equal to the energy intercepted by top half of cylinder and the hemisphere. The shape factor to the hemisphere was determined as 0.2).

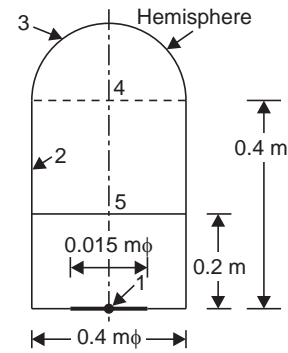


Fig. P.13.19.

Problem 13.20: Determine the shape factor for areas 2 to 3 and 4 in the Fig. 13.20. Also find F_{1-4} and F_{2-4}

Solution: $A_{12} F_{1,2-3,4} = A_1 F_{1-3,4} + A_2 F_{2-3,4}$... (A)

The values of $F_{1,2-3,4}$ and $F_{1-3,4}$ can be determined using charts for equal disks.

For $F_{1,2-3,4}$: $D/L = 0.8/0.2 = 4$

From chart $F_{1,2-3,4} = 0.58$

$F_{1-3,4}$ is found from $F_{3,4-1}$, which has a value 0.21. (using chart for unequal disks)

By reciprocity principle: $F_{1-3,4} = 0.84$

Solving eqn. (A), $F_{2-3,4} = 0.493$

$$F_{1-3,4} = F_{1-3} + F_{1-4}$$

F_{1-3} can be determined (equal disks): $D/L = 2$

$\therefore F_{1-3} = 0.35$

$\therefore F_{1-4} = 0.85 - 0.35 = 0.49$

Using reciprocity theorem: $A_1 F_{1-4} = A_4 F_{4-1}$

$$\frac{\pi \times 0.4^2}{4} \cdot 0.49 = \frac{\pi}{4} (0.8^2 - 0.4^2) \cdot F_{4-1}$$

$\therefore F_{4-1} = 0.163, F_{1-4} = F_{3-2}$ (by similarity), $F_{2-3} = F_{4-1}$

$$F_{2-3,4} = 0.493 = F_{2-3} + F_{2-4} = 0.163 + F_{2-4}$$

$\therefore F_{2-4} = 0.33 = F_{4-2}$

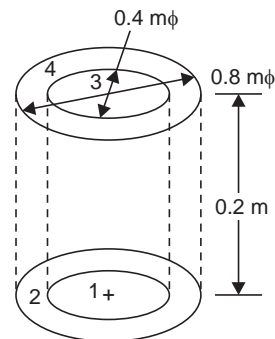


Fig. P.13.20

Problem 13.21: The surface A_1 and A_2 (Fig. P.13.21 (a)) having emissivities of 0.6 and 0.4 are maintained at 800 K and 400 K.

(i) Determine the heat exchange between the surfaces per unit length considering these are long with the third side open and at 400 K.

(ii) If surface 3 is well insulated, so that the surface is non absorbing determine the heat exchange.

Solution: By symmetry (long duct)

$$F_{1-2} = F_{2-1} = F_{3-2} = F_{2-3} = F_{1-3} = F_{3-1} = 0.5$$

considering surface 1 and 2 the equivalent circuit can be drawn as shown in Fig. P.13.21(b).

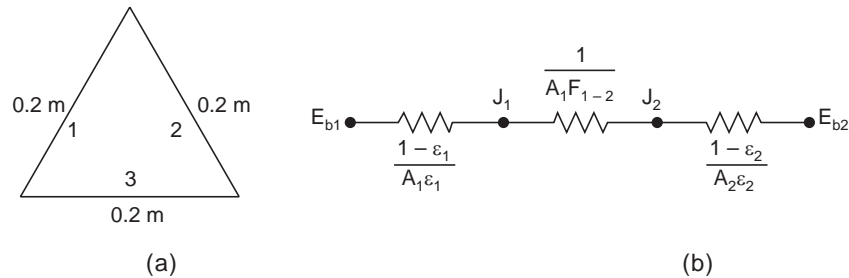


Fig. P.13.21. (a, b)

$$Q = \frac{\sigma(T_1^4 - T_2^4)}{\Sigma R} = 5.67 (8^4 - 4^4) / \left(\frac{1 - 0.6}{0.6 \times 0.2 \times 1} + \frac{1}{0.2 \times 1 \times 0.5} + \frac{1 - 0.4}{0.4 \times 0.2 \times 1} \right) = 1045 \text{ W}$$

(ii) If reradiating surface is added the equivalent circuit is as shown in Fig.P.13.21(c, d)
The equivalent resistance is 17.5 (calculate)

$$\therefore q = 5.67 (8^4 - 4^4) / 17.5 = 1244.4 \text{ W for one } m \text{ length.}$$

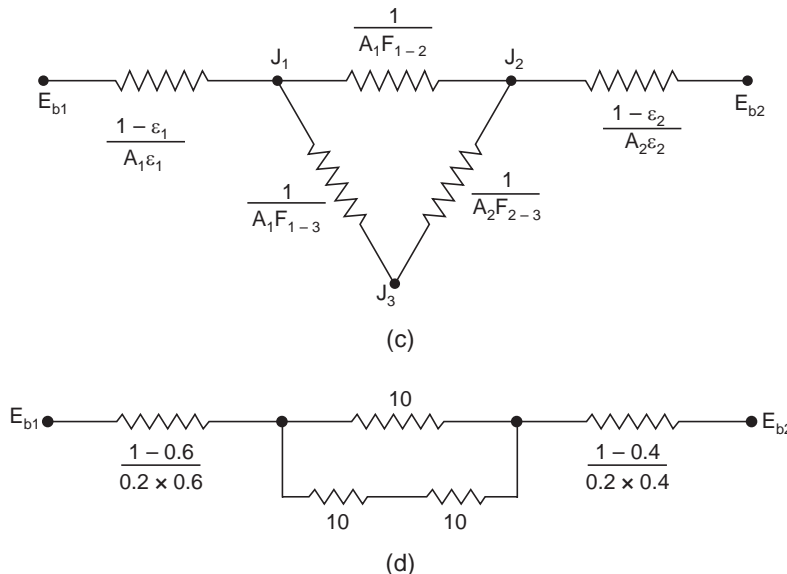


Fig. P.13. 21 (c, d)

Problem 13.22: In problem 13.21 if the surface 3 was open and facing a room at 300 K, determine the net heat flow from surface 1 and 2. Consider the room to be black.

Solution: The equivalent circuit is shown in Fig P.13.22. As the room surface is considered black, there is no surface resistance for E_{b3} . So $J_3 = E_{b3}$

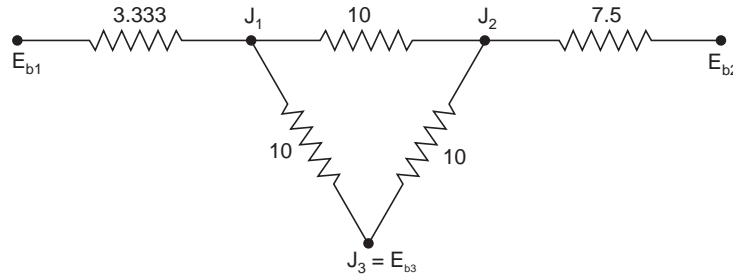


Fig. P.13.22

The values J_1 and J_2 are solved for by considering net flow into the nodes and using values of E_{b1} , E_{b2} and E_{b3}

Node J_1 :

$$\frac{E_{b1} - J_1}{R_1} + \frac{J_2 - J_1}{R_2} + \frac{E_{b3} - J_1}{R_3} = 0$$

$$R_1 = 3.333, R_2 = 10, R_3 = 10, E_{b1} = 23224, E_{b3} = 459 = J_3$$

Substituting we get

$$70132 - 5J_1 + J_2 = 0. \quad \dots(A)$$

Node J_2 :

$$\frac{E_{b2} - J_2}{R_4} + \frac{J_1 - J_2}{R_2} + \frac{E_{b3} - J_2}{R_5} = 0$$

$$R_4 = 7.5, R_2 = R_5 = 10, E_{b2} = 1452$$

Substituting we get

$$2395 + J_1 - 3.33J_2 = 0. \quad \dots(B)$$

Solving for J_1 and J_2 using equation (A) and (B)

$$J_1 = 15074 \text{ W/m}^2, J_2 = 5240 \text{ W/m}^2$$

Net Heat flow from surface 1

$$q_1 = \frac{E_{b1} - J_1}{R_1} = \frac{23224 - 15074}{3.333} = 2445 \text{ W}$$

Heat flow from surface 1 to 3 (room)

$$q_{1-3} = \frac{J_1 - J_3}{R_3} = \frac{15074 - 459}{10} = 1462 \text{ W}$$

Heat flow across J_1, J_2

$$q_{1-2} = \frac{15074 - 5240}{10} = 983 \text{ W}$$

Check: $1462 + 983 = 2445 \text{ W}$

Net Heat flow to surface 2

$$q_2 = \frac{5240 - 1452}{7.5} = 505 \text{ W}$$

Heat flow from J_2 to surface 3

$$q_{2-3} = \frac{5240 - 459}{10} = 478 \text{ W}$$

Check: $505 + 478 = 983 \text{ W}$

Heat received by room = $1462 + 478 = 1940 \text{ W}$.

Problem 13.23: A spherical container with 0.9 m dia stores cryogenic fluid at -178°C . The surface emissivity is 0.03. It is enclosed by another concentric sphere of 1 m dia with a surface emissivity of 0.04. The interspace is evacuated. The outside surface is at 10°C . Determine the rate of heat leakage.

Solution: As the interface is evacuated only radiation is to be considered. The resistances are the two surface resistances and the space resistance. Shape factor $F_{1-2} = 1$ (from inner outer).

$$Q = 5.67 \left[\left(\frac{283}{100} \right)^4 - \left(\frac{95}{100} \right)^4 \right] / \left[\frac{1 - 0.03}{0.03 \times 4\pi \times 0.45^2} + \frac{1}{4\pi \times 0.45^2 \times 1} + \frac{1 - 0.04}{0.04 \times 4\pi \times 0.5^2} \right] = 17.65 \text{ W}$$

If the latent heat of evaporation is about 213 kJ/kg, the evaporation rate will be

$$\frac{17.65}{213000} \text{ kg/s or } \frac{17.65 \times 3600 \times 24}{213000} \text{ kg/day i.e. } 7.16 \text{ kg/day.}$$

Problem 13.24: A surface at 100 K with emissivity of 0.10 is protected from a radiation flux of 1250 W/m^2 by a shield with emissivity of 0.05. Determine the percentage cut off and the shield temperature.

Solution: We have to assume a shape factor of one. As flux is given it is to be taken as radiosity J .

The equivalent circuit is shown in Fig. 13.14 (b). Assuming unit area.

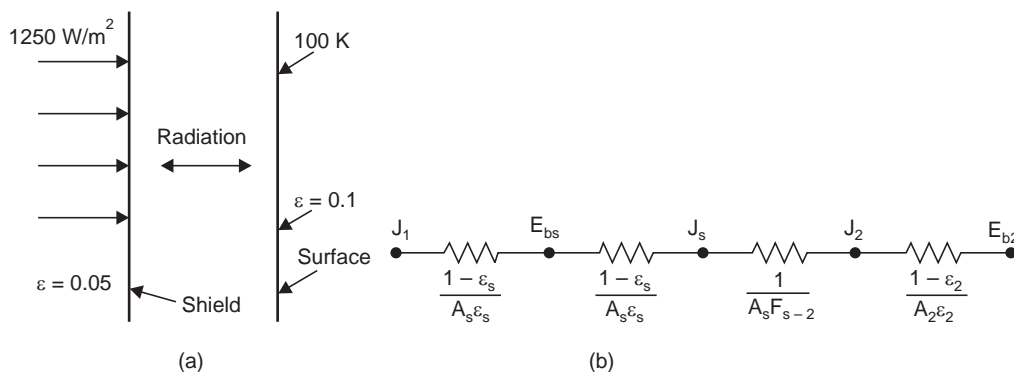


Fig. P.13.24 (a, b)

$$q = \frac{1250 - 5.67 \times 1^4}{\frac{1-0.05}{1 \times 0.05} + \frac{1-0.05}{1 \times 0.05} + \frac{1}{1} + \frac{1-0.1}{0.1}} = 25.92 \text{ W/m}^2$$

If the **shield was not present** heat flow will be (as only the surface resistance exits)

$$= \frac{1250 - 5.67}{9} = 138.26 \text{ W/m}^2$$

Percentage cut off = $100(138.26 - 25.92)/138.26 = 81.25\%$

Shield temperature can be determined using (considering surface resistance)

$$25.92 = \frac{1250 - E_s}{19} \quad \therefore E_s = 757.52$$

$\therefore T_s = 340 \text{ K or } 67^\circ\text{C}$

Check: $Q = \frac{E_s - E_2}{19 + 1 + 9} = \frac{757.52 - 5.67}{29} = 25.93 \text{ W, checks.}$

Problem 13.25: Two large parallel planes with emissivity value of 0.8 are exchanging heat by radiation. It is desired to interpose a radiation shield with emissivity value of ϵ_s on both sides, so that the heat exchange will be reduced to 1/10 of the original value. Estimate the emissivity requirement.

Solution: The thermal resistance should be increased to 10 times the original value to achieve the heat reduction.

The thermal resistance without the shield.

$$= \frac{1-0.8}{0.8} + 1 + \frac{1-0.8}{0.8} = 1.5$$

The resistance with shield should be $10 \times 1.5 = 15$

$$= \frac{1-0.8}{0.8} + 1 + \frac{1-\epsilon_s}{\epsilon_s} + \frac{1-\epsilon_s}{\epsilon_s} + 1 + \frac{1-0.8}{0.8} = 15$$

Solving: $\epsilon_x = 0.137931$

Check: $0.25 + 1 + \frac{1-0.137931}{0.137931} + \frac{1-0.137931}{0.137931} + 1 + 0.25$
 $= 0.25 + 1 + 6.25 + 6.25 + 1 + 0.25 = 15 \text{ checks.}$

Problem 13.26: Two large parallel planes with emissivity of 0.8 are at 1000K and 400 K. A shield with one side treated and having an emissivity of 0.05 while the emissivity on the other untreated side was 0.6 was proposed to be used. The designer wanted the low emissivity side to face the hotter plane. During installation by mistake the side with higher emissivity was placed facing the hot side. Investigate the change in performance if any.

Solution: Considering unit area and using equivalent circuit approach, for the original proposal:

$$Q = \frac{E_{b1} - E_{b2}}{\left[\frac{1-\epsilon_1}{A_1 \epsilon_1} + \frac{1}{A_1 F_{1S}} + \frac{1-\epsilon_{s1}}{A_s \epsilon_{s1}} + \frac{1-\epsilon_{s2}}{A_s \epsilon_{s2}} + \frac{1}{A_s F_{s-2}} + \frac{1-\epsilon_2}{A_2 \epsilon_2} \right]}$$

$$A_1 = A_s = A_2 = 1 \text{ and } F_{1-s} = F_{s-2} = 1$$

$$Q = \frac{5.67 [10^4 - 4^4]}{\frac{1-0.8}{0.8} + 1 + \frac{1-0.05}{0.05} + \frac{1-0.6}{0.6} + 1 + \frac{1-0.8}{0.8}} = 2492.41 \text{ W}$$

The shield temperature can be determined using

$$2492.41 = \frac{E_{b1} - E_{bs}}{\frac{1-\epsilon_1}{\epsilon_1} + \frac{1}{F_{1-2}} + \frac{1-\epsilon_s}{\epsilon_s}} = \frac{5.67 [10^4 - (T_s/100)^4]}{\frac{1-0.8}{0.8} + 1 + \frac{1-0.05}{0.05}}$$

$$\therefore T_s = 575.7 \text{ K}$$

After the wrong installation, the total resistance remains the same as the resistances only shift their location. However the temperature of the shield will be different. It is determined using the relation.

$$2492.41 = \frac{5.67 \left(10^4 - \left(\frac{T_s}{100} \right)^4 \right)}{\frac{1-0.8}{0.8} + 1 + \frac{1-0.6}{0.6}}$$

$$\therefore T_s = 978.2 \text{ K}$$

The shield temperature is much higher due to the wrong installation.

Problem 13.27: A cryogenic fluid is carried in a pipe of 10 mm OD at a temperature of 100 K. The pipe is surrounded coaxially by another pipe of OD 13 mm with the space between the pipes evacuated. The other pipe is at 5°C. The emissivity for both surfaces is 0.22. Determine the radiant heat flow for 3 m length. If a shield of emissivity of 0.05 and of dia 11.5 mm is placed between the pipes determine the percentage reduction in heat flow.

Solution: Considering 3 m length, the pipe areas are:

$$\text{Inside pipe: } \pi \times 0.01 \times 3 = 0.0942 \text{ m}^2$$

$$\text{Shield pipe: } \pi \times 0.0115 \times 3 = 0.1084 \text{ m}^2$$

$$\text{Outside pipe: } \pi \times 0.013 \times 3 = 0.1225 \text{ m}^2$$

The heat flow without shield is calculated using the equivalent circuit method.

$$Q = \frac{E_{b1} - E_{b2}}{\frac{1-\epsilon_1}{A_1 \epsilon_1} + \frac{1}{A_1 F_{1-2}} + \frac{1-\epsilon_2}{A_2 \epsilon_2}}$$

$$= \frac{5.67 (2.78^4 - 1^4)}{\frac{1-0.22}{0.0942 \times 0.22} + \frac{1}{0.0942 \times 1} + \frac{1-0.22}{0.22 \times 0.1225}} = 4.315 \text{ W}$$

with shield

$$Q = \frac{5.67 (2.78^4 - 1)}{\frac{1-0.22}{0.0942 \times 0.22} + \frac{1}{0.0942 \times 1} + \frac{1-0.05}{0.1084 \times 0.05} + \frac{1-0.05}{0.1084 \times 0.05} + \frac{1}{0.1084 \times 1} + \frac{1-0.22}{0.22 \times 0.1225}}$$

$$= 0.762 \text{ W.}$$

$$\text{Percentage reduction} = \frac{4.315 - 0.762}{4.315} \times 100 = 82.34\%$$

Problem 13.28: Show that if surfaces of equal emissivities are used as shields between parallel planes of large size, the heat flow will be reduced to $1/(n + 1)$ of heat flow without shield, where n is the number of shields.

Solution: Resistance when no shield is present using unit area, denoting the surface resistance $(1 - \epsilon)/\epsilon$ as R_s and the space resistance $1/F_{1-2}$ as R

$$\text{Resistance} = 2 R_s + R$$

When 1 shield is present

$$\text{Resistance} = 4R_s + 2R = 2(2R_s + R) \text{ (Draw the circuit and verify)}$$

When 2 shields are present:

$$\text{Resistance} = 6 R_s + 3R = 3(2R_s + R)$$

and so on. So obviously the resistance increases $n + 1$ times and hence the heat flow will become $1/(n + 1)$ time, provided all emissivities are the same.

Problem 13.29 : Two circular disks of 1 m dia are placed coaxially, parallelly and symmetrically at a distance of 1 m. The disks have an emissivity of 0.6 and are at 1000 K and 500 K. Determine the reduction in radiant heat flow due to the introduction of a shield of equal diameter midway between the two. The shield has an emissivity of 0.1 on both sides. (neglect interactions to the outside space).

Solution : In this case, the shape factors will change. These are found using charts.

Shape factor between the plates: 0.18, ($D/x = 1$)

Shape factor between plate and shield: 0.39, ($D/x = 2$)

without shield

$$Q = \frac{E_{b1} - E_{b2}}{\frac{1 - \epsilon_1}{A_1 \epsilon_1} + \frac{1}{A_1 F_{1-2}} + \frac{1 - \epsilon_2}{A_2 \epsilon_2}}$$

$$= \frac{5.67 (10^4 - 5^4)}{\frac{(1 - 0.6) \times 4}{0.6 \times \pi \times 1 \times 1} + \frac{1 \times 4}{\pi \times 1 \times 1 \times 0.18} + \frac{(1 - 0.6) \times 4}{0.6 \times \pi \times 1 \times 1}} = 6060 \text{ W.}$$

with shield

$$Q = \frac{5.67 (10^4 - 5^4)}{\frac{(1 - 0.6) \times 4}{0.6 \times \pi \times 1 \times 1} + \frac{1 \times 4}{\pi \times 1 \times 1 \times 0.39} + \frac{(1 - 0.1) \times 4}{0.1 \times \pi \times 1 \times 1} + \frac{(1 - 0.1) \times 4}{0.1 \times \pi \times 1 \times 1} + \frac{1 \times 4}{\pi \times 1 \times 1 \times 0.39} + \frac{(1 - 0.6) \times 4}{0.6 \times \pi \times 1 \times 1}}$$

$$= 1707 \text{ W}$$

$$\text{Percentage reduction} = \frac{6060 - 1707}{6060} \times 100 = 71.83\%$$

$$\text{Shield temperature} = 853.7 \text{ K (check)}$$

When limited size planes are considered, these will also exchange heat through the interspace with surroundings. Hence the assumption.

Problem 13.30: Show that for two black parallel planes of equal area symmetrically placed, the shape factor with reradiation by enclosure will be $(1 + F_{1-2})/2$ where F_{1-2} is the shape factor without reradiation.

Solution: Considering the planes as 1 and 2 and the enclosure as 3, $F_{1-2} = 1 - F_{1-3}$ as the radiation from 1 is intercepted completely by plane 2 and the enclosure, 3

Also by symmetry $A_1 F_{1-3} = A_2 F_{2-3}$

Using the equivalent circuit shown in Fig. P.13.30, as surfaces are black and absorb incident radiation completely.

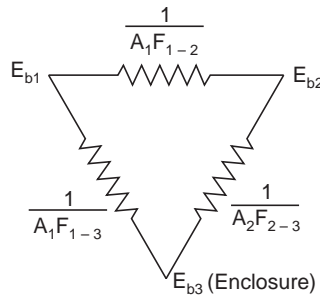


Fig. P.13.30

Total flow of heat by radiation from surface 1 considering the direct path and path through E_{b3} .

$$= (E_{b1} - E_{b2}) A_1 F_{1-2} + \frac{(E_{b1} - E_{b2})}{2} A_1 F_{1-3}$$

Denoting the total shape factor as F_{1-2}

$$Q = A_1 F_{1-2} (E_{b1} - E_{b2})$$

By similarity $F_{2-3} = F_{1-3}$ and $F_{1-3} = (1 - F_{1-2})$

Substituting,

$$(E_{b1} - E_{b2}) A_1 F_{1-2} + \frac{(E_{b1} - E_{b2})}{2} A_1 (1 - F_{1-2}) = A_1 F_{1-2} (E_{b1} - E_{b2})$$

Cancelling $(E_{b1} - E_{b2}) A_1$

$$F_{1-2} = F_{1-2} + \frac{1 - F_{1-2}}{2} = \frac{1 + F_{1-2}}{2}, \text{ proved.}$$

Conceptually $F_{1-2} = F_{1-2} + \frac{1 - F_{1-2}}{2}$,

means that out of the energy from surface 1, F_{1-2} directly reaches surface 2, half of the energy from surface 1 intercepted by surface 3 also reaches surface 2 by reradiation (the other half reaching surface 1 itself).

Problem 13.31: Show that the temperature of the reradiating enclosure 3 between surface 1 and 2 at T_1 and T_2 is given by

$$T_3 = \left[\frac{A_1 F_{1-3} T_1^4 + A_2 F_{2-3} T_2^4}{A_1 F_{1-2} + A_2 F_{2-3}} \right]^{0.25}$$

Solution: Using the Fig. P.13.30, J_3 is solved for by using the node 3

$$A_1 F_{1-3} (E_{b1} - J_3) = (J_3 - E_{b2}) A_2 F_{2-3}$$

Rearranging

$$A_1 F_{1-3} E_{b1} + A_2 F_{2-3} E_{b2} = J_3 (A_1 F_{1-3} + A_2 F_{2-3})$$

or
$$A_1 F_{1-3} \sigma T_1^4 + A_2 F_{2-3} \sigma T_2^4 = \sigma T_3^4 (A_1 F_{1-3} + A_2 F_{2-3})$$

Cancelling σ ,
$$T_3 = \{ [A_1 F_{1-3} T_1^4 + A_2 F_{2-3} T_2^4] / [A_1 F_{1-3} + A_2 F_{2-3}] \}^{0.25}$$
.

Problem 13.32: A tetrahedron has each face of area 3 m^2 . The surface 4 is insulated and acts a non absorbing reradiating surface. The emissivities of surface 1, 2 and 3 are all equal to $1/3$. Calculate the net heat flow from each of the surfaces 1, 2 and 3 if the emissive powers of surfaces 1, 2 and 3 are $12000, 3000$ and 750 W/m^2 .

Solution: The shape factor by similarity will each equal $1/3$.

i.e.
$$F_{1-2} = F_{2-1} = F_{1-3} = F_{3-1} = F_{2-3} = F_{3-2} = F_{3-4} \dots = 1/3.$$

The surface 4 acts as reradiating. The equivalent circuit is shown in Fig. P.13.32.

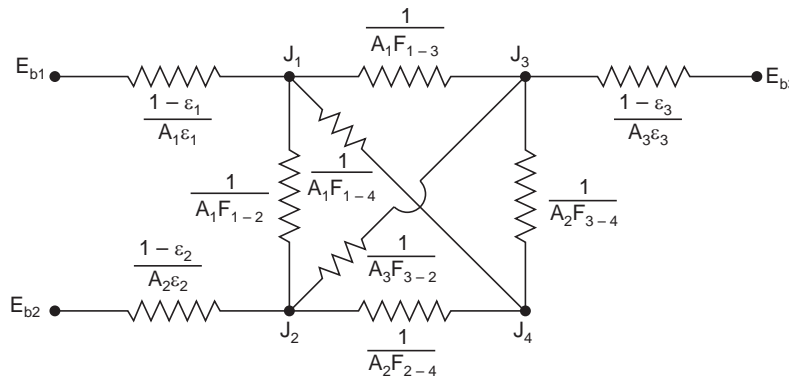


Fig. P.13.32

The surface resistance are all equal to
$$\frac{1 - 1/3}{(1/3) \times 3} = 2/3$$

The space resistances are all equal to
$$= \frac{1}{3 \times 1/3} = 1$$

Now considering nodes J_1, J_2, J_3 and J_4

Node J_1 :
$$\frac{3(12000 - J_1)}{2} + \frac{J_3 - J_1}{1} + \frac{J_4 - J_1}{1} + \frac{J_2 - J_1}{1} = 0$$

$$18000 - 4.5 J_1 + J_2 + J_3 + J_4 = 0$$

Node J_2 :
$$\frac{3(3000 - J_2)}{2} + \frac{J_1 - J_2}{1} + \frac{J_3 - J_2}{1} + \frac{J_4 - J_2}{1} = 0$$

or
$$4500 + J_1 - 4.5 J_2 + J_3 + J_4 = 0.$$

for Node J_3 :
$$1125 + J_1 + J_2 - 4.5 J_3 + J_4 = 0$$

for Node J_4 :
$$J_1 + J_2 + J_3 - 3J_4 = 0;$$

This set of equations can be solved using any of the methods to solve the matrix

$$\begin{bmatrix} -4.5 & 1 & 1 & 1 \\ 1 & -4.5 & 1 & 1 \\ 1 & 1 & -4.5 & 1 \\ 1 & 1 & 1 & -3 \end{bmatrix} \begin{bmatrix} J_1 \\ J_2 \\ J_3 \\ J_4 \end{bmatrix} = \begin{bmatrix} 18000 \\ 4500 \\ 1125 \\ 0 \end{bmatrix}$$

The answer is

$$J_1 = 7041 \text{ W/m}^2, J_2 = 4636 \text{ W/m}^2$$

$$J_3 = 4023 \text{ W/m}^2, J_4 = 5250 \text{ W/m}^2$$

$$Q_1 = \frac{E_{b1} - J_1}{2/3}, Q_2 = \frac{E_{b2} - J_2}{2/3}$$

$$Q_3 = \frac{E_{b3} - J_3}{2/3} \text{ solve and check. } (7363, -2454, -4909).$$

Problem 13.33 : A cylindrical shaped furnace is 1 m dia and 1 m high. The top surface having an emissivity of 0.7 emit a uniform heat flux of 7 kW/m². The bottom surface with an emissivity of 0.4 is maintained at 350 K. The sides are insulated and function as reradiating surfaces. Determine the heat transfer to bottom surface and also the temperatures of the top and sides.

In this case the heat flux at the top is given and not its emissive power. So the flux is to be taken as radiosity of the surface. The equivalent circuit is as shown in Fig. P.13.33.

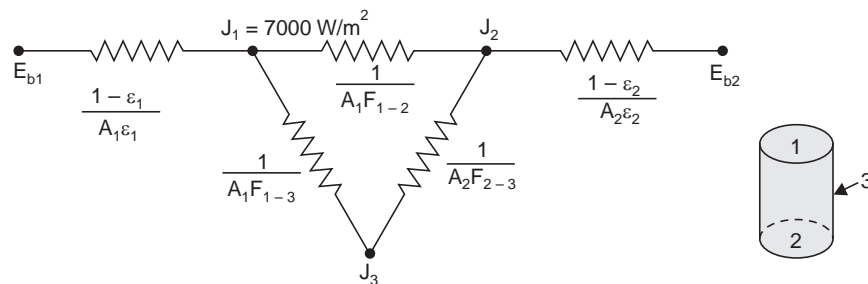


Fig. P.13.33

Solution: Designating top as 1 bottom as 2 and sides as 3. The shape factor between the base and top

$$F_{1-2} = 0.18 = F_{2-1} \text{ (parallel disks)}$$

$$\therefore F_{1-3} = 1 - 0.18 = 0.82 \quad F_{1-3} = F_{2-3} \text{ as } A_1 = A_2$$

$$\frac{1 - \epsilon_1}{A_1 \epsilon_1} = \frac{(1 - 0.7)4}{\pi \times 1 \times 1 \times 0.7} = 0.5457$$

$$\frac{1 - \epsilon_2}{A_2 \epsilon_2} = \frac{(1 - 0.4)4}{\pi \times 1 \times 1 \times 0.4} = 1.91, \quad \frac{1}{A_1 F_{1-2}} = \frac{1 \times 4}{\pi \times 1 \times 1 \times 0.18} = 7.074$$

$$\frac{1}{A_1 F_{1-3}} = \frac{1 \times 4}{\pi \times 1 \times 1 \times 0.82} = 1.5527 = \frac{1}{A_2 F_{2-3}}$$

Considering node J_1

$$\frac{E_{b1} - 7000}{0.5457} + \frac{J_3 - 7000}{1.5527} + \frac{J_2 - 7000}{7.074} = 0$$

$$1.8325 E_{b1} + 0.644 J_3 + 0.1414 J_2 - 18325 = 0 \quad \dots(A)$$

Considering Node J_2 $\frac{7000 - J_2}{7.074} + \frac{J_3 - J_2}{1.5527} + \frac{E_{b2} - J_2}{1.91} = 0$

$$989.54 + 0.644 J_3 - 1.309 J_2 + 0.5236 \times 5.67 \times 3.5^4 = 0$$

or $0.644 J_3 - 1.309 J_2 + 1435.05 = 0 \quad \dots(B)$

Considering node J_3 $\frac{7000 - J_3}{1.5527} + \frac{J_2 - J_3}{1.5527} = 0$

$$\therefore 0.644 J_2 - 1.288 J_3 + 4508.3 = 0$$

Solving $E_{b1} = 7825 \text{ W/m}^2, \quad \therefore \quad T_1 = 609.5 \text{ K}$
 $J_2 = 3738 \text{ W/m}^2$
 $J_3 = 5389 \text{ W/m}^2 \quad T_3 = 554.7 \text{ K}$

To determine the heat flow :

From surface 1 : $Q_1 = \frac{E_{b1} - J_1}{(1 - \epsilon_1)/A_1 \epsilon_1} = \frac{7825 - 7000}{0.5457} = 1512 \text{ W}$

From surface 2 $Q_2 = \frac{5369 - 5.67 \times 3.5^4}{1.91} = 1512 \text{ W}(J_2 \text{ to } E_{b2})$

Check :

Through $J_1 - J_3$ $\frac{7000 - 5369}{1.5527} = 1051 \text{ W}$

Through $J_1 - J_2$ $\frac{7000 - 3738}{7.074} = 461 \text{ W}$

The sum of these two = 1512 W. So checks.

Also through $J_3 - J_2$, $(5369 - 3738)/1.5527 = 1050.4$ so checks.

Note. If flux is specified, then it has to be taken as radiosity.

Problem 13.34. A thermocouple is used to measure the temperature of air flowing in a large duct, the walls of which are at 500 K. The thermocouple indicates 400 K. The heat transfer coefficient over the surface of the thermocouple is 40 W/m²K. Determine the true gas temperature if the emissivity of the thermocouple surface is 0.51.

Solution. Consider the thermocouple to have an area of A. The heat balance for the thermocouple gives.

$$\sigma A \epsilon (T_w^4 - T_1^4) = hA(T_t - T_a),$$

Where T_w is the wall temperature. T_t is the thermocouple temperature and T_a is the air temperature. Substituting the values.

$$5.67 \times 0.51(5^4 - 4^4) = 40(400 - T_a)$$

Solving $T_a = 373.3 \text{ K}$

Higher wall temperature compared to gas temperature will lead to higher reading of the thermocouple and vice versa.

Problem 13.35: *On clear nights there is radiation from earth's surface to the space. On such a night, the water particles on plant leaves radiate to the sky whose temperature may be taken as -70°C . The water particles receive heat from air surrounding it by convection, the convection heat transfer coefficient having a value of $28\text{ W/m}^2\text{ K}$. If the water should not freeze, determine the air temperature.*

Solution: For water just to freeze, its temperature has to be 0°C or 273 K . A heat balance, assuming water surface to be black gives,

$$5.67A(2.73^4 - 2.03^4) = 28A(T_a - 273)$$

$$\text{Solving} \quad T_a = 280.8\text{ K} \quad \text{or} \quad 7.8^{\circ}\text{C}$$

Any air temperature lower than this value will cause frost or freezing on the surfaces.

Problem 13.36: *A thermocouple of 3 mm dia with emissivity of 0.6 is used to measure the temperature of gasses in an electrically heated furnace, with heaters fixed on the walls. The thermometer showed 750°C when the gas temperature was 650°C . Estimate the wall temperature if the convection coefficient has a value of $40\text{ W/m}^2\text{ K}$.*

Note. Absolute units of temperature should be used.

Solution: A heat balance will give

$$0.6 \times 5.67 \left[(T_w/100)^4 - \left(\frac{750 + 273}{100} \right)^4 \right] = 40[(750 + 273) - (650 + 273)]$$

$$\text{Solving,} \quad T_w = 1049.4\text{ K of } 776.4^{\circ}\text{C}$$

If the emissivity was 0.05 in the above case what will be the reading shown by the thermocouple.

A heat balance gives

$$0.05 \times 5.67[10.494^4 - (T_t/100)^4] = 40(T_t - 923)$$

This equation has to be solved by trial

$$0.2835[T_t/100]^4 + 40T_t - 40358 = 0$$

$$\text{or} \quad (T_t/100)^4 + 141.09 T_t - 142356.3 = 0$$

Solving $T = 951\text{ K}$ or 678°C (an error of 28°C compared to 100°C with higher emissivity).

Problem 13.37. *A flat heater of 1 m dia is covered by a hemisphere of 4 m dia, the surface of which is maintained at 400 K . The emissivity of the surface is 0.8. The heater surface is maintained at 1000 K . The remaining base area is open to surroundings at 300 K . The surroundings may be considered as black. The emissivity of the heater surface is 0.8. Determine the heat exchange from the heater to the hemisphere and to the surroundings.*

Solution. The model and the equivalent circuit are shown in Fig. P.13.37. The heater is designated as surface 1, the hemisphere as surface 2 and the remaining base area as surface 3. The shape factor between surface 1 and 3 is zero as they are on the same plane. So J_1 and E_{b3} are not connected. Only the heat reflected and emitted by area 2 passing through area 3 reaches the surroundings. So this surface can be considered for all practical purposes for the determination of heat flow to surroundings.

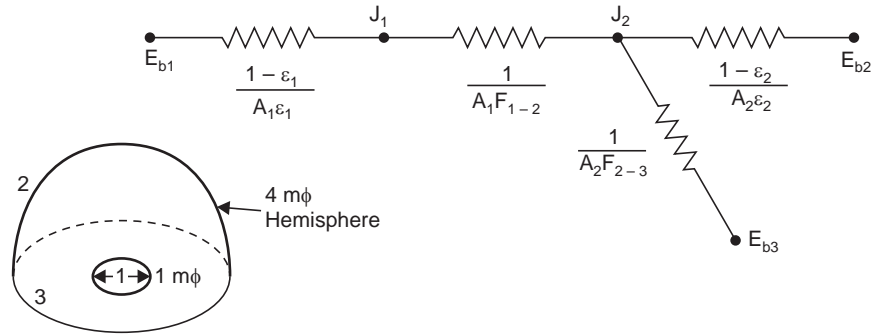


Fig. P.13.37

Heat flows from heater to the hemisphere, part of which flows from the hemisphere to the surroundings with no direct connection between the heater and surroundings. Part of heat emitted by area 2 also reaches the surroundings. As surrounding is black, surface resistance is zero.

$$F_{1-2} = 1 \text{ as all the heat from } A_1 \text{ is intercepted by the hemisphere surface 2.}$$

$$F_{3-2} = 1 \quad \text{for similar reason}$$

$$A_1 F_{1-2} = A_2 F_{2-1} \quad \therefore \quad F_{2-1} = \frac{A_1}{A_2} \cdot 1 = \frac{\pi \times 0.5 \times 0.5}{2 \times \pi \times 2 \times 2} = 0.03125$$

$$A_3 F_{3-2} = A_2 F_{2-3}$$

$$\therefore \quad F_{2-3} = \frac{A_3}{A_2} \times \frac{\pi(2^2 - 0.5^2)}{2\pi \times 2 \times 2} \times 1 = 0.46875$$

$\therefore \quad F_{2-2} = 1 - 0.46875 - 0.03125 = 0.5$ (checks as the shape factor for hemisphere to itself is 0.5)

The resistance are :

$$\frac{1 - \epsilon_1}{A_1 \epsilon_1} = \frac{1 - 0.8}{\pi \times 0.5 \times 0.5 \times 0.8} = 0.3183$$

$$\frac{1}{A_1 F_{1-2}} = \frac{1}{\pi \times 0.5 \times 0.5 \times 1} = 1.273$$

$$\frac{1 - \epsilon_2}{A_2 \epsilon_2} = \frac{1 - 0.8}{2\pi \times 2 \times 2 \times 0.8} = 9.947 \times 10^{-3}$$

$$\frac{1}{A_2 F_{2-3}} = \frac{1}{2\pi \times 2 \times 2 \times 0.46875} = 0.08488$$

$$E_{b1} = 5.67 \times 10^4 = 56700$$

$$E_{b2} = 5.67 \times 4^4 = 1451.52$$

$$E_{b3} = 5.6 \times 3^4 = 459.27$$

Considering node J_1

$$\frac{E_{b1} - J_1}{(1 - \epsilon_1)/A_1 \epsilon_1} = \frac{J_1 - J_2}{1/A_1 F_{1-2}}$$

$$\therefore \frac{56700 - J_1}{0.3183} = \frac{J_1 - J_2}{1.273}$$

Rearranging

$$5J_1 - J_2 + 226800 = 0 \quad \dots(\text{A})$$

Considering node J_2

$$\frac{J_2 - E_{b2}}{(1 - \epsilon_2)/A_2\epsilon_2} + \frac{J_2 - E_{b3}}{1/A_2 F_{2-3}} = \frac{J_1 - J_2}{1/A_1 F_{1-2}}$$

substituting the values

$$\frac{J_1 - J_2}{1.273} = \frac{J_2 - 1451.52}{9.9472 \times 10^{-3}} + \frac{J_2 - 459.27}{0.08488}$$

$$\text{Rearranging } J_1 - 144 J_2 + 192683.61 = 0. \quad \dots(\text{B})$$

Multiplying eqn. (B) by 5 and subtracting and solving,

$$J_1 = 45691 \text{ W/m}^2, J_2 = 1655.4 \text{ W/m}^2$$

Heat flow from surface 1 is given by

$$Q_1 = (E_{b1} - J_1) / \{(1 - \epsilon_1)/A_1\epsilon_1\} = \frac{56700 - 45691}{0.3183} = 34586 \text{ W}$$

$$\text{To surface 2, } Q_2 = \frac{J_2 - E_{b2}}{(1 - \epsilon_2)/A_2\epsilon_2} = \frac{1655.4 - 1451.52}{9.9472 \times 10^{-3}} = 20494 \text{ W}$$

$$\text{To outside, } Q_3 = \frac{J_2 - E_{b3}}{1/A_2 F_{2-3}} = \frac{1655.4 - 459.27}{0.08488} = 14092 \text{ W}$$

A check can be made as Q_1 should equal Q_2 and Q_3

$$34586 = 20494 + 14092 = 34586 \text{ checks.}$$

Problem 13.38: In the case of the above problem if surface 3 is insulated and acts as a reradiating surface, determine the heat flow from heater surface to the hemispherical surface.

In this case, the node J_3 connects with node J_2 and E_{b2} , providing a parallel path between J_2 and E_{b2} .

Solution: Heat flow Q_{1-2} is given by

$$Q_{1-2} = \frac{E_{b1} - E_{b2}}{\frac{1 - \epsilon_1}{A_1 \epsilon_1} + \frac{1}{A_1 F_{12}} + R_{\text{eq}}}, R_{\text{eq}} = 9.3966 \times 10^{-3}$$

$$= \frac{56700 - 1451.52}{0.3183 + 1.273 + 9.3966 \times 10^{-3}} = 34515 \text{ W.}$$

The heat received by surface 2 increases from 20494 W to 35060 W. The temperature of the reradiating surface can be determined by determining J_2 .

$$34515 = \frac{56700 - J_2}{0.3183 + 1.273} \quad \therefore J_2 = 1776 \text{ W/m}^2$$

$$\therefore J_3 = 1614, \quad \therefore T_3 = 411 \text{ K.}$$

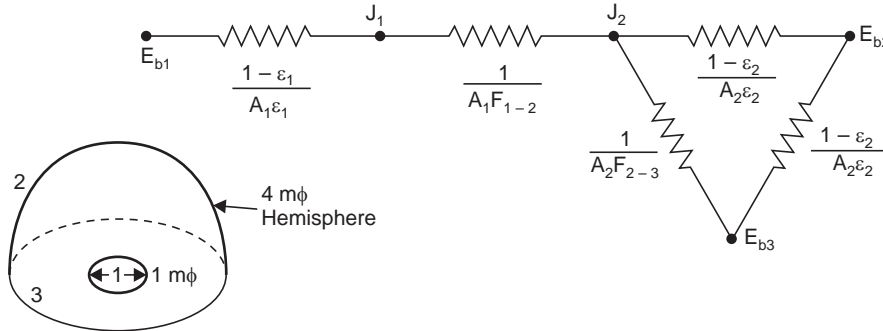


Fig. P.13.38

Problems 13.39: Two coaxial cylinders of 0.4 m dia and 1 m dia are 1 m long. The annular top and bottom surfaces are well insulated and act as reradiating surfaces. The inner surface is at 1000 K and has an emissivity of 0.6. The outer surface is maintained at 400 K. The emissivity of the surface is 0.4.

- (i) Determine the heat exchange between the surfaces.
- (ii) If the annular base surfaces are open to black surroundings at 300 K, determine the radiant heat exchange.

Solution: These are short cylinders. The shape factor values are determined using Data Book. The outer surface is designated as 2 and the inner as 1. The parameters are r_1/r_2 and L/r_2 . The chart provides shape factor from outside cylinder to the inside and to itself.

The parameter values here are 0.4 and 1. Reading from chart

$$F_{2-1} = 0.25, \quad F_{2-2} = 0.27$$

considering both the annular closing surfaces as 3 (This will not make any difference with total heat flow, see Fig. P.13.20)

$$F_{2-3} = (1 - 0.25 - 0.27) = 0.48$$

$$A_1 F_{1-2} = A_2 F_{2-1} \quad \therefore F_{1-2} = F_{2-1} \cdot \frac{A_2}{A_1} = 0.25 \times \frac{1}{0.4} = 0.625$$

$$F_{1-3} = 1 - 0.625 = 0.375$$

$$E_{b1} = 56700, \quad E_{b2} = 1451.52, \quad E_{b3} = 459.27 \text{ W/m}^2.$$

The equivalent circuit for case 1 is given in Fig. P.13.39

The resistances are

$$\frac{1 - \epsilon_1}{A_1 \epsilon_1} = \frac{1 - 0.6}{\pi \times 0.4 \times 1 \times 0.6} = 0.5305$$

$$\frac{1 - \epsilon_2}{A_2 \epsilon_2} = \frac{1 - 0.4}{\pi \times 1 \times 1 \times 0.4} = 0.4775$$

$$\frac{1}{A_1 F_{1-2}} = \frac{1}{\pi \times 0.4 \times 1 \times 0.625} = 1.2732$$

$$\frac{1}{A_1 F_{1-3}} = \frac{1}{\pi \times 0.4 \times 1 \times 0.375} = 2.1221$$

$$\frac{1}{A_2 F_{2-3}} = \frac{1}{\pi \times 1 \times 1 \times 0.48} = 0.6631.$$

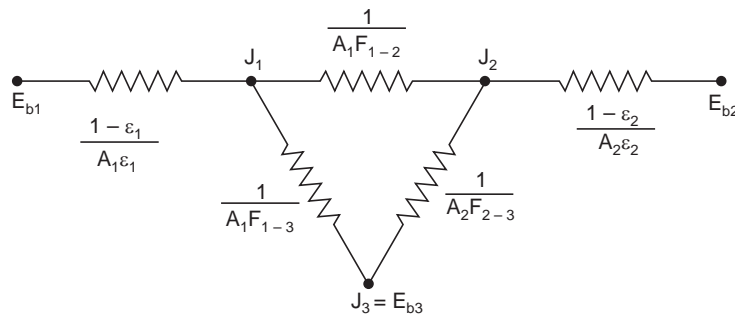


Fig. 13. P. 39

Considering node J_1

$$\frac{56700 - J_1}{0.5305} + \frac{J_2 - J_1}{1.2732} + \frac{J_3 - J_1}{2.1221} = 0$$

Simplifying

$$-1.6667 J_1 + 0.4167 J_2 + 0.25 J_3 + 56700 = 0 \quad \dots(A)$$

Considering node J_2

$$\frac{J_1 - J_2}{1.2732} + \frac{1451.52 - J_2}{0.4775} + \frac{J_3 - J_2}{0.6631} = 0$$

Simplifying

$$0.375 J_1 - 2.095 J_2 + 0.72 J_3 + 1451.52 = 0 \quad \dots(B)$$

Considering node J_3

$$\frac{J_1 - J_3}{2.1221} + \frac{J_2 - J_3}{0.6631} = 0$$

Simplifying

$$J_1 + 3.2 J_2 - 4.2 J_3 = 0 \quad \dots(C)$$

Solving:

$$J_1 = 41123 \text{ W/m}^2 \quad J_2 = 15468 \text{ W/m}^2 \\ J_3 = 21575 \text{ W/m}^2$$

This gives a heat flow about 29360 W from inner to outer surface.

(ii) In this case $J_3 = E_{b3} = 459.27 \text{ W/m}^2$. Forming nodal equations and

Solving

$$J_1 = 35908.6 \quad J_2 = 7278.23$$

$$\mathbf{Q_1 = 39191 \text{ W}, \quad Q_2 = 12203 \text{ W}, \quad Q_1 - Q_2 = 26988 \text{ W}}$$

Calculating Q_3 by using J_1, J_3 and $J_2 - J_3$,

$$Q_3 = 16705 + 10283 = 26988 \text{ W. The values agree.}$$

Problems 13.40: Determine the shape factors in the following cases between the heater and roof.

(i) A heater of 15 cm square placed in the centre of the floor of a furnace of 4 m × 4 m size and 2 m height.

(ii) The heater placed in the corner of the floor

(iii) The heater placed on one of the corner of one of the vertical walls.

(iv) A spherical heater of 15 cm dia placed in the centre of the floor.

(v) The heater placed in one corner.

Solution: These situations are solved for using charts: (symbols as in charts, Fig. 13.16.)

(i) This has to be a sum of four shape factors, dividing the roof into four parts.

$$\frac{D_1}{L_1} = \frac{2}{1} = 2 \quad \therefore \quad \frac{D_2}{L_2} = \frac{2}{1} = 2 \quad \therefore \quad \text{chart value} = 0.06$$

$$\therefore \quad F_{1-2} = 4 \times 0.06 = \mathbf{0.24}$$

(ii) $\frac{D_1}{L_1} = \frac{2}{4}, \quad \frac{D_2}{L_2} = \frac{2}{4} = 0.5 \quad \therefore \quad F_{1-2} = \mathbf{0.208}$

(iii) $\frac{b}{a} = \frac{c}{a} = \frac{4}{2} = 0.5 \quad \therefore \quad F_{1-2} = \mathbf{0.07}$

(iv) $\frac{b}{a} = \frac{c}{a} = \frac{1}{2} = 0.5 \quad F_{1-2} = \mathbf{0.018 \times 4 = 0.072}$

(v) $\frac{b}{a} = \frac{c}{a} = \frac{4}{2} = 2 \quad F_{1-2} = \mathbf{0.07}$

The closer the plane, and larger the plane, higher will be the value of shape factor.

Problem 13.41: Two rows of water tubes of 5 cm dia are placed at 10 cm pitch in front of a radiating plane and is backed by insulating wall. The tubes are staggered. Determine the shape factor to (i) direct to row 1 (ii) direct to row 2 (iii) Total including reradiation to row 1 (iv) Total to row 2 (v) Total to both 1 and 2 without reradiation (vi) Total with reradiation.

Solution: A chart is available which uses the nomenclature as in Fig. P.13.41 here $P/D = 2$, Refer chart Fig. 13.20.

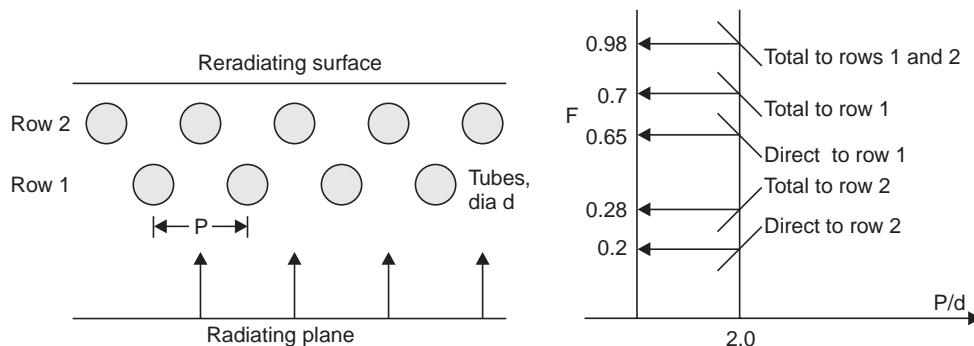


Fig. P.13.41

- 13.3** As the source temperature increases the wavelength at which the monochromatic emissive power is maximum
 (a) decreases continuously (b) decreases and then increases
 (c) increases continuously (d) increases and then decreases.
- 13.4** The directional emissivity for metallic surfaces is
 (a) constant all over the angles from normal
 (b) More near the normal and less near the tangential direction
 (c) More near tangential direction compared to normal direction
 (d) The distribution is affected more by temperature than by direction.
- 13.5** For non metallic insulating materials directional emissivity
 (a) is constant all over the angles
 (b) more at near normal directions than at tangential direction
 (c) Less at near normal directions compared to tangential directions
 (d) Can be as case *b* or *c* depending on surface preparation.
- 13.6** Selective surfaces
 (a) do not follow Kirchoff's law (b) absorb only at definite wavelengths
 (c) emit only at definite wave bands (d) all of these.
- 13.7** Glasses are
 (a) opaque for high temperature radiation (b) opaque for low temperature radiation
 (c) Transparent at short wavelengths (d) Transparent at long wavelengths
 (e) opaque for low temperature radiation Transparent at long wavelengths.
- 13.8** For solar collectors the required surface characteristics combination is
 (a) high emissivity and low absorptivity (b) high emissivity and high reflectivity
 (c) high reflectivity and high absorptivity (d) low emissivity and high absorptivity.
- 13.9** Emissivity of gas body of a given composition depends on
 (a) shape and temperature (b) partial pressure and shape
 (c) partial pressure and temperature (d) All of these.
- 13.10** For a given shape, partial pressure and temperature the emissivity of
 (a) O_2 is higher than that of N_2 (b) N_2 is higher than that of N_2
 (c) O_2 is higher than that of CO_2 (d) CO_2 is higher than that of O_2 .
- 13.11** The combination which will give the highest gas emissivity is
 (a) low partial pressure, higher temperature and larger thickness
 (b) higher partial pressure, higher temperature and larger thickness
 (c) higher partial pressure, lower temperature and larger thickness
 (d) lower partial pressure, lower temperature and larger thickness.
- 13.12** The value of shape factor will be highest when
 (a) the surfaces are farther apart (b) the surfaces are closer
 (c) the surfaces are smaller and closer (d) the surfaces are larger and closer.
- 13.13** A radiation shield should have
 (a) high emissivity (b) high absorptivity
 (c) high reflectivity (d) high emissive power.
- 13.14** Choose the correct statement or statements
 (a) Highly reflecting surface is suitable for solar heat collection through flat plates.
 (b) The emissivity of smooth surface is higher compared to a rough surface of the same material

- (c) For a given gas body, the emissivity will decrease with increase in temperature.
 (d) Snow has high emissivity.
- 13.15** Choose the correct statement or statements
 (a) The shape factor of small enclosed body with respect to the enclosing surface is zero
 (b) The shape factor of small enclosed body with respect to the enclosing surface is unity
 (c) A small opening from a large enclosure at constant temperature will provide black body radiation.
 (d) Black paint is an example of black body.
- 13.16** The reciprocity theorem states
 (a) $F_{1-2} = F_{2-1}$
 (b) $A_1 F_{1-2} = A_2 F_{2-1}$
 (c) $A_2 F_{1-2} = A_1 F_{2-1}$
 (d) $\epsilon_1 F_{1-2} = \epsilon_2 F_{2-1}$.
- 13.17** Choose the correct statement or statements
 (a) $F_{1-2,3} = F_{1-2} + F_{1-3}$
 (b) $A_1 F_{1-2,3} = A_2 F_{2-1} + A_3 F_{3-1}$
 (c) $F_{1,2-3} = F_{1-3} + F_{2-3}$
 (d) $A_{1,2} F_{1,2-3,4} = A_1 F_{1,2-3,4} + A_2 F_{1,2-3,4}$.
- 13.18** Choose the correct statement or statements
 (a) Radiosity is another name for emissive power
 (b) Radiation intensity is the flux per unit area
 (c) Radiation intensity is the radiant energy per unit solid angle
 (d) Irradiation is the total radiant energy incident on a surface.
- 13.19** Choose the correct statement or statements
 (a) Convex surface have positive value for shape factor with themselves
 (b) Concave surface have positive value for shape factor with themselves
 (c) Flat surfaces have positive value for shape factor with themselves
 (d) Irregular surfaces have positive value for shape factor with themselves.
- 13.20** If $A_1 = 4$ and $A_2 = 2$ and $F_{1-2} = 0.2$ then
 (a) $F_{2-1} = 0.2$
 (b) $F_{2-1} = 0.8$
 (c) $F_{2-1} = 0.4$
 (d) $F_{2-1} = 0.1$.

Answers

- | | | | | | |
|--------------|--------------|--------------|---------|--------------|--------------|
| 1. (d) | 2. (c) | 3. (a) | 4. (c) | 5. (b) | 6. (d) |
| 7. (c) | 8. (d) | 9. (d) | 10. (d) | 11. (c) | 12. (d) |
| 13. (c) | 14. (c), (d) | 15. (b), (c) | 16. (b) | 17. (a), (b) | 18. (c), (d) |
| 19. (b), (d) | 20. (c). | | | | |

EXERCISE PROBLEMS

- 13.1** Determine the wavelength at which monochromatic emissive power is maximum for the following surface temperatures. Also determine the value of the monochromatic emissive power at these wavelengths.
 (i) 600 K
 (ii) 2000 K and
 (iii) 5500 K.
- 13.2** Using Planck's equation derive the Stefan-Boltzmann equation for emissive power of a black surface.
- 13.3** Determine the fraction of radiant energy emitted up to the wavelength at which monochromatic emissive power is maximum for the following surface temperatures.
 (i) 600 K
 (ii) 2000 K
 (iii) 5000 K.

- 13.4** Determine the wavelength up to which the black body radiation at 2000 K will equal.
 (i) 25% (ii) 50%
 (iii) 75% of the emissive power.
- 13.5** A glass was found to let in 85% of the radiation from the sun at 5800 K. If its transmissivity was 0.9 upto wavelength λ and zero beyond this value determine the value of λ .
- 13.6** Mylar sheets have a transmissivity of 0.95 upto wavelength of 3 micrometer and zero beyond this value. Determine its total transmissivity for radiation for source at (i) 600 K (ii) 2000 K and (iii) 5800 K.
- 13.7** Green house effect is nothing but trapping of radiation by letting in radiation of short wavelength and shutting out radiation of long wavelength. A green house has a roof area of 100 m² perpendicular to the solar inclination. The material has a transmissivity of 0.9 up to a wavelength of 4 μm and zero beyond. The solar flux has a value of 800 W/m². The total wall area is 600 m². It the inside is to be maintained at 22°C while the outside is at -5°C, determine the maximum value of overall heat transfer coefficient for heat flow through the walls. The temperature of solar radiation may be taken as 5000 K.
- 13.8** A surface is found to have an absorptivity of 0.8 for wavelengths upto 3 μm and 0.2 beyond this value. If the surface is exposed to sunlight with a source temperature of 5000 K, and a flux of 800 W/m², determine the rate of heat gain when the surface is at (i) 400 K (ii) 900 K. Assume only radiant heat flow.
- 13.9** A 40 W incandescent lamp has a filament area of 1 cm² and is at 2800 K. Determine the efficiency of the lamp. Lamp efficiency is defined as the fraction of radiant energy emitted in the wavelength band of 0.4 to 0.7 μm . to the power input.
- 13.10** If in problem 13.9, if the temperature is increased to 3000 K, determine the improvement in the efficiency.
- 13.11** A surface has an absorptivity of 0.8 in the wavelength range of 0 to 4 μm and 0.2 beyond. Determine the total emissivity of the surface at temperature (i) 400 K (ii) 900 K (iii) 2000 K and (iv) 3000 K.
- 13.12** A surface has an emissivity of 0.5 in the wavelength band of 1.15 to 10 μm and 0.8 above this wavelength. The emissivity is zero below 1.15 μm . Determine the total absorptivity of this surface to radiation from a source at 2000 K.
- 13.13** A furnace with an emissive power of 3.72×10^5 W/m² is used to calibrate a gauge for measuring radiation flux the aperture used is 2 cm in dia. The gauge has an effective area of 1.6×10^{-5} m². What should be the distance at which the gauge should be placed so that the flux is 1000 W/m².
- 13.14** An opaque surface having reflectivity values as shown in Fig 13.14 (a) receives irradiation as indicated in Fig. 13.14 (b). Determine the radiant flux absorbed by the surface.

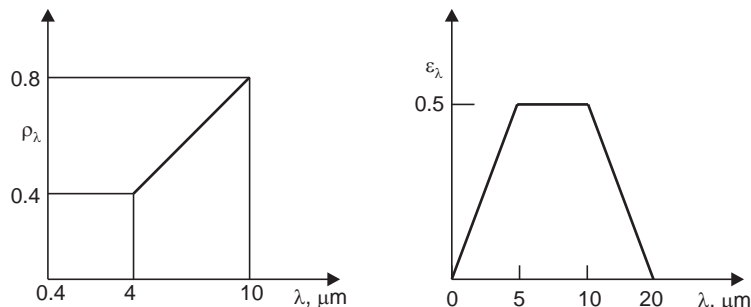


Fig. E.13.14 (a, b)

- 13.15** Determine the total emissivity of two surfaces with the following directional characteristics;
- Emissivity is 0.3 from normal to 60° and is 0.8 from 60° to 90°
 - Emissivity is 0.8 from normal to 60° and is 0.3 from 60° to 90° .
- 13.16** Estimate the equilibrium temperature of a plate in space when exposed solar flux of 1352 W/m^2 (from source at 5800 K) if it has an emissivity of 0.9 upto $3 \mu\text{m}$ and 0.05 beyond.
- 13.17** Determine the shape factor F_{1-2} in the following configurations shown in Fig. E.13.17.

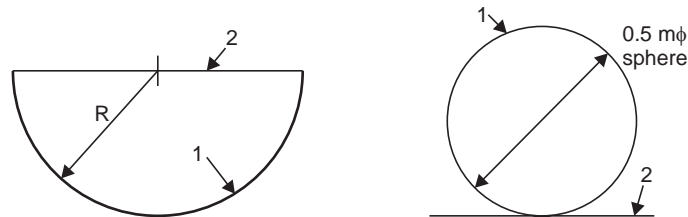
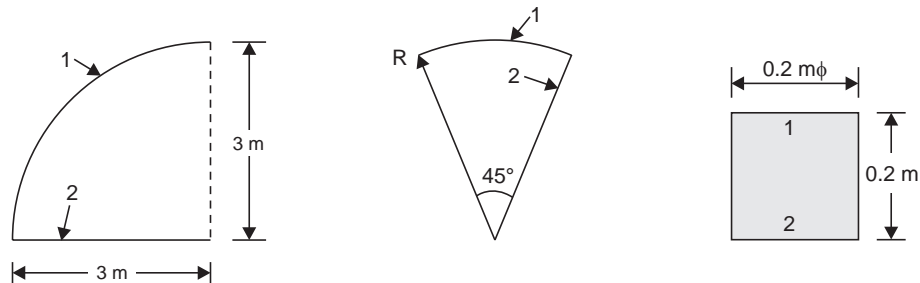


Fig. E.13.17. (a, b)

- 13.18** Determine the shape factor F_{1-2} in the following cases.

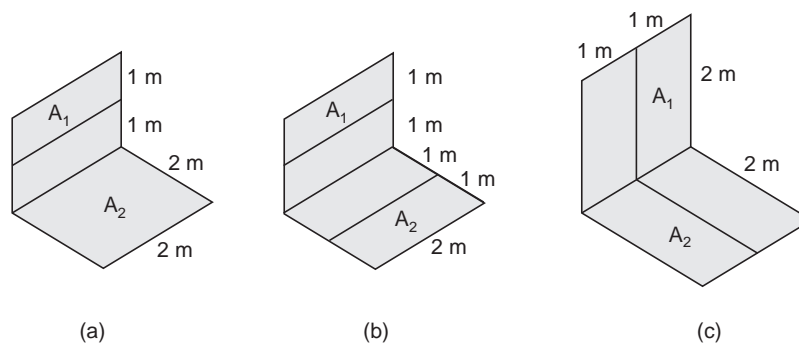


(a) Long shelter of cylindrical shape

(b) Long cylindrical groove

(c) Cylindrical cavity

- 13.19** Determine the shape factors F_{1-2} for the following configurations



(a)

(b)

(c)

Fig. E.13.19. (a), (b), (c)

13.20 Determine the shape factor F_{1-2} in the following cases:

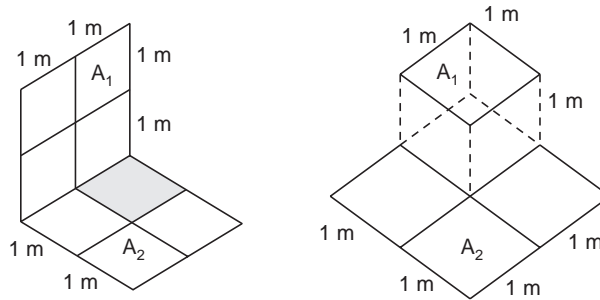


Fig. E.13.20. (a, b)

13.21 Determine the shape factor F_{1-2} for the following configurations

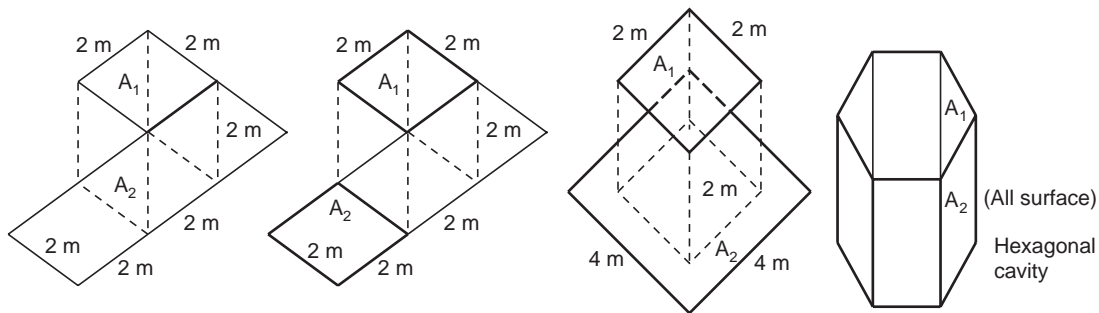


Fig. E.13.21. (a), (b), (c), (d)

- 13.22 Determine the emissivity of water vapour in a spherical gas body of 2 m dia when the partial pressure of water vapour is 0.05 atm and the temperature of the mixture is 1000 K. The total pressure is 1 atm.
- 13.23 Determine the emissivity in the situation of problem 13.22 if the (i) total pressure is 1 atm and partial pressure is 0.1 atm (ii) if the total pressure is 2.5 atm and partial pressure is 0.05 atm.
- 13.24 Determine the emissivity of a gas body at 1500 K and 1 atm contained in a cubical furnace of 2 m side if the partial pressure of CO_2 is 0.1 atm in the gas mixture. Also determine the emissivity if the total pressure is 4 atm while partial pressure is still 0.1 atm.
- 13.25 An oil heated furnace is of 2 m \times 2 m \times 3 m size and contains gases at 1600 K. The partial pressure of CO_2 is 0.12 atm and that of H_2O is 0.14 atm. Determine the emissivity of the gas body and also the heat exchange if the surface is at 1000 K. Total pressure = 1 atm.
- 13.26 A gas turbine combustion chamber is cylindrical and is 0.4 m dia and 0.8 m length. The gas is at 1700 K. The flame tube is at 500 K. The gas is at 6 atm. The partial pressure of CO_2 is 0.12 atm and that of water vapour is 0.1 atm. Determine the radiation exchange between the flame tube and the gas body.
- 13.27 Pure CO_2 at 1 atm passes through a cylindrical heater of 0.2 m dia and 0.3 m length with surface maintained at 1600 K. The average gas temperature is 800 K. Determine the rate of radiation heat exchange.
- 13.28 Determine the heat exchange per m^2 of area A_1 between the surface specified below if surface 1 is at 1000 K while surface 2 is at 400 K. All surfaces are black.
- (i) large parallel planes (ii) long coaxial cylinders of 0.5 m and 1 m dia with inner cylinder hotter. (iii) concentric spheres of 1 m and 2 m dia with inner surface hotter. (iv) parallel planes of 2 m \times 2 m size placed symmetrically 1 m apart.

- 13.29** Determine the heat exchange per m^2 of Area A_1 in the following cases if A_1 is at 1000 K and A_2 is at 400 K, both surfaces being black.
- (i) Perpendicular planes $2 \text{ m} \times 1 \text{ m}$ size with 2 m being the common edge
 - (ii) perpendicular planes of $2 \text{ m} \times 1$ with 1 m being the common edge.
 - (iii) equal coaxial parallel disks of 1 m dia, placed 1 m apart
 - (iv) same as in (iii) but placed 0.5 m apart.
 - (v) concentric circular disks of 1 m dia and 0.5 m dia placed 0.5 m apart with the smaller one as surface A_1 .
- 13.30** Determine the heat exchange between the following surfaces with the smaller surface as surface 1 and at 1000 K while the larger surface is at 400 K, both surfaces being black.
- (i) a small square of 0.15 m side and a large parallel plane of 2 m square size with its corner along the centre of the small area and 1 m apart.
 - (ii) a small square of 0.15 m side and a large plane of 2 m square kept parallel and centres of both along the same line and 1 m apart.
 - (iii) a small circular disk of 0.15 m dia and large disk of 1 m dia at a distance of 1 m with centres along the same line and planes parallel to each other.
 - (iv) A small plane of 0.15 m square and a large plane of 2 m square at a distance of 1 m. The small plane is below one corner of the large plane and kept perpendicular to it.
 - (v) A small sphere of 0.1 m dia and a large plane of 1.5 m square, with the sphere kept 1 m below a corner of the large plane.
- 13.31** Determine the reduction in radiant transfer between two large parallel planes at 1000 K and 500 K when a shield surface with emissivity of 0.1 and 0.6 on either side is placed between them. The emissivity of the surface are 0.6 and 0.8 respectively. Also determine the shield temperature when higher emissivity side of the shield (i) faces the hotplane (ii) faces the cooler, plane.
- 13.32** Determine the heat exchange between two long coaxial cylinders of diameter 0.5 m and 0.7 m when the outer is at 100 K and inner at 500 K. The surface emissivities are 0.4 and 0.6 for the outer and inner surfaces.
- 13.33** A spherical container of 1 m dia storing liquid nitrogen at -120°C is covered by high reflecting coating with reflectivity of 0.96. If it is exposed to surroundings at 20°C , determine the heat flow in due to radiation.
- If a concentric spherical surface with equal reflectivity on either side of 0.96 and a diameter of 1.2 m is used over the surface, determine the reduction in the heat flow by radiation, when exposed to the same surroundings.
- 13.34** Two large parallel planes are at -10°C and 22°C . The emissivity values are 0.6 and 0.75. If the radiant heat flow is to be reduced by 90% determine the reflectivity of a shield to be placed in between.
- 13.35** A long cylinder of diameter 0.4 m is at 1000 K and has an emissivity of 0.4. A coaxial cylinder of 1 m dia having surface emissivity of 0.6 maintained at 400°C surrounds the smaller cylinder. It is proposed to use a shield having an emissivity of 0.1. Compare the heat reduction if the shield diameter is (i) 0.6 m and (ii) 0.8 m based on 1 m^2 of surface used.
- 13.36** Determine the heat flow between the roof and floor of $4 \times 3 \text{ m}$ size of a furnace of $4 \text{ m} \times 4 \text{ m} \times 3 \text{ m}$ size when the roof is at 1200 K and the floor is maintained at 600 K, with the other surfaces nonabsorbing and reradiating. The surface emissivity of the hotter surface is 0.8 and that of the cooler surface 0.6.
- 13.37** Two symmetrically placed parallel rectangular surface of $4 \text{ m} \times 3 \text{ m}$ size kept at 2 m distance are at 1000 K and 600 K. The emissivities are 0.6 and 0.5. The sides are exposed to black surroundings at 300 K. Determine the heat flow from the surfaces.

- 13.38** Two side walls and the roof of a furnace are maintained at 600 K and 1200 K respectively, their emissivities being 0.75 and 0.6. The furnace is cubical with sides of 2 m length. The other surfaces are nonabsorbing and reradiating. Determine the heat flow between side walls and the roof,
- 13.39** If in problem 13.38 the other sides are open to black surroundings at 500 K, determine the heat exchange.
- 13.40** In a cylindrical furnace of 1.5 m dia and 2 m length the curved surface is maintained at 1400 K, its emissivity being 0.7. The two ends are maintained at 800 K and 600 K. The emissivities are 0.65 and 0.55. Determine the heat flow to each of the surfaces by radiation.
- 13.41** A furnace is in the shape of a frustum of a cone with base diameter of 2 m and top diameter of 1 m and height 1.5 m. The curved surface having an emissivity of 0.65 is maintained at 1600 K while the base and top are maintained at 700 K and 1200 K, their emissivities being 0.6 and 0.7. Determine the heat flow by radiation from each surface.
- 13.42** If in problem 13.41, the top surface acts as reradiating surface, with other conditions unchanged determine the heat flow between the bottom and curved surface and the temperature of reradiating surface.
- 13.43** If in problem 13.41, the curved surface acts as reradiating surface, determine the heat flow and also the temperature of the curved surface.
- 13.44** A four surface enclosure is in the shape of a tetrahedron of 2 m edge length. The surfaces are at 1400, 1200, 1000 and 800 K respectively with emissivities of 0.8, 0.7, 0.6 and 0.5. Determine the radiant heat flow from each face.
- 13.45** A thermocouple with an emissivity of 0.8 is used to measure the temperature of air in an enclosure where the walls are at 300 K. The thermometer shows 600 K for a true temperature of 655 K. Determine the value of convection coefficient over the thermocouple surface.
- 13.46** A thermocouple with an emissivity of 0.9 is used to measure the temperature of air flowing in a duct. The duct walls are at 280 K. The true air temperature is 350 K. Determine the temperature indicated if (i) $h = 150 \text{ W/m}^2\text{K}$ (ii) $h = 50 \text{ W/m}^2\text{K}$ and (iii) $h = 300 \text{ W/m}^2\text{K}$.
- 13.47** A shielded thermocouple shows 600 K for hot gases in a duct whose walls are at 400 K. The shield area is large compared to that of the thermocouple. The emissivity of the shield is 0.05. The emissivity of the thermocouple is 0.8. Determine the true temperature of the gas. The convective heat transfer coefficient has a value of $300 \text{ W/m}^2\text{K}$.

14

MASS TRANSFER

14.0

Mass transfer is different from the flow of fluid which was discussed in previous chapters. Mass transfer is the flow of molecules from one body to another when these bodies are in contact or within a system consisting of two components when the distribution of materials is not uniform. When a copper plate is placed on a steel plate, some molecules from either side will diffuse into the otherside. When salt is placed in a glass and water poured over it, after sufficient time the salt molecules will diffuse into the water body. A more common example is drying of clothes or the evaporation of water spilled on the floor when water molecules diffuse into the air surrounding it. **Usually mass transfer takes place from a location where the particular component is proportionately high to a location where the component is proportionately low.** Mass transfer may also take place due to potentials other than concentration difference. But in this chapter only transfer due to concentration gradient is discussed.

14.1 PROPERTIES OF MIXTURE

In a mixture consisting of two or more materials the mass per unit volume of any component is called mass concentration of that component. If there are two components *A* and *B*, then the mass concentration of *A* is

$$m_a = \frac{\text{mass of } A \text{ in the mixture}}{\text{volume of the mixture}}$$

and concentration of *B*,

$$m_b = \frac{\text{mass of } B \text{ in the mixture}}{\text{volume of the mixture}}.$$

The total mass concentration is $m_a + m_b$, which is also the density of the mixture.

Mass concentration can also be expressed in terms of individual and total densities of the mixture *i.e.*,

$$m_a = \frac{\rho_A}{\rho}$$

where ρ_a is the density of *A* in the mixture and ρ is the density of the mixture.

It is more convenient to express the concentration in terms of the molecular weight of the component.

Mole fraction N_a can be expressed as

$$N_a = \frac{\text{Number of moles of component A}}{\text{Total number of moles in the mixture}}$$

Number of Mole = mass/molecular weight

For gases as
$$\rho_i = \frac{P}{R_i T}$$

or
$$N_i = \frac{P_i}{\mathfrak{R}T}$$

where \mathfrak{R} is universal gas constant.

At the temperature T of the mixture then

$$N_i \propto P_i$$

where
$$C_a = \frac{N_a}{Nt} = \frac{P_a}{P_T}$$

where P_a is the partial pressure of A in the mixture and P_T is the total pressure of the mixture. C_a is the mole concentration of A in the mixture.

Also $C_a + C_b = 1$ for a two component mixture.

14.2 DIFFUSION MASS TRANSFER

Diffusion mass transfer occurs without macroscopic mass motion or mixing. A lump of sugar dropped into a cup of tea will dissolve by diffusion even if left unstirred. But it will take a long time for the sugar to reach all of the volume in the cup. However it will diffuse into the volume by and by. Consider a chamber in which two different gases at the same pressure and temperature are kept separated by a thin barrier. When the barrier is removed, the gases will begin to diffuse into each others volume. After some time a steady condition of uniform mixture would be reached. This type of diffusion can occur in solids also. The rate in solids will be extremely slow. Diffusion in these situations occurs at the molecular level and the governing equations are similar to those in heat conduction where energy transfer occurs at the molecular level.

The basic law governing mass transfer at the molecular diffusion level is known as **Fick's law**. This is similar to the Fourier heat conduction law.

In Mass transfer, molal quantities are more convenient to use as compared to mass units, because mass transfer is due to the movement of molecules as discrete quantities. Hence it is convenient to use number of moles, or molar concentration instead of density etc.

14.3 FICK'S LAW OF DIFFUSION

The Fick's law can be stated as

$$N_a = -D_{ab} \frac{dC_a}{dx} \quad \dots(14.1)$$

Where N_a —> number of moles of 'a' diffusing perpendicular to area A , moles/m² sec

D_{ab} —> Diffusion coefficient or mass diffusivity, m²/s, a into b

C_a —> mole concentration of 'a' moles/m³

x —> diffusion direction

The diffusion coefficient is similar to thermal diffusivity, α and momentum diffusivity ν .

Number of moles multiplied by the molecular mass (or more popularly known as molecular weight) will provide the value of mass transfer in kg/s.

Equation (14.1) can also be written as

$$\frac{m_a}{A} = -D_{ab} \cdot \frac{d\rho_a}{dx} \quad \dots(14.2)$$

but this form is not as popular as the more convenient equation (14.1). The conduction equation similar to this is

$$\frac{Q}{A} = -\left(\frac{k}{\rho c}\right) \cdot \frac{d(\rho c T)}{dx} \quad \dots(14.3)$$

$k/\rho c$ is thermal diffusivity α and ρc is the heat capacity (energy density) for unit volume.

The derivation of the general mass diffusion equation is similar to that of the general heat conduction equation with C_a replacing T and D replacing $k/\rho c$.

The general mass diffusion equation for the species A under steady state condition is given by equation (14.4)

$$\frac{\partial^2 C_a}{dx^2} + \frac{\partial^2 C_a}{dy^2} + \frac{\partial^2 C_a}{dz^2} = \frac{1}{D} \frac{\partial C_a}{\partial \tau} \quad \dots(14.4)$$

Generation of mass of the species 'A' by chemical reaction is not considered in the equation. However an additive term N_a/D on the LHS will take care of this similar to heat generation term q/k .

The solutions for this equation are also similar to the solutions of the general conduction equation. However there exist some differences. These are

- (i) While heat flow is in one direction, the mass of one species flows opposite to the flow of the other component of the mixture. (here two component mixture is considered).
- (ii) Even while one component alone diffuses under certain circumstances, a bulk flow has to be generated as otherwise a density gradient will be created spontaneously, which is not possible. For example when water evaporates into an air body over water surface, an equal quantity of air cannot enter the water phase. The density gradient created is dispersed by some mixture moving away from the surface maintaining a balance. This is termed as bulk flow.

The value of D_{ab} for certain combinations of components are available in literature. It can be proved that $D_{ab} = D_{ba}$. When one molecule of 'A' moves in the x direction, one molecule of 'B' has to move in the opposite direction. Otherwise a macroscopic density gradient will develop, which is not sustainable, (A is area)

$$\frac{N_a}{A} = -D_{ab} \frac{dC_a}{dx}$$

$$\frac{N_b}{A} = -D_{ba} \frac{dC_b}{dx} = -D_{ba} \frac{d(1 - C_a)}{dx} = D_{ba} \frac{dC_a}{dx}$$

as
$$\frac{N_a}{A} = -\frac{N_b}{A} \text{ and so } D_{ab} = D_{ba}$$

14.4 EQUIMOLAL COUNTER DIFFUSION

The total pressure is constant all through the mixture. Hence the difference in partial pressures will be equal. The Fick's equation when integrated for a larger plane volume of thickness L will give

$$\frac{N_a}{A} = D_{ab} \frac{(C_{a1} - C_{a2})}{L} \quad \dots(14.5)$$

$$\frac{N_b}{A} = D_{ba} \frac{(C_{b2} - C_{b1})}{L}$$

as
$$\frac{N_b}{A} = -\frac{N_a}{A}, \text{ and } (C_{a1} - C_{a2}) = (C_{b2} - C_{b1}),$$

D_{ab} equals D_{ba}

Where C_{a1} and C_{b1} are the mole concentrations at face 1 and C_{a2} and C_{b2} are mole concentrations at face 2 which is at a distance L from the first face.

When applied to gases,

$$\frac{N_a}{A} = \frac{D}{\Re T} \cdot \frac{P_{a1} - P_{a2}}{(x_2 - x_1)} \quad \dots(14.6)$$

Where P_{a1} and P_{a2} are partial pressures of component 'A' at x_1 and x_2 and \Re is the universal gas constant in J/kg mol K. T is the temperature in absolute units. The distance should be expressed in metre.

The partial pressure variation and diffusion directions are shown in Fig 14.1.

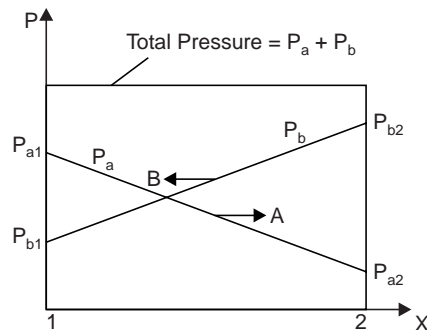


Fig. 14.1. Partial Pressure variation of components in equimolal counter diffusion.

Example 14.1: In order to avoid pressure build up ammonia gas at atmospheric pressure in a pipe is vented to atmosphere through a pipe of 3 mm dia and 20 m length. Determine the mass of ammonia diffusing out and mass of air diffusing in per hour.

Assume $D = 0.28 \times 10^{-4} \text{ m}^2/\text{s}$, $M = 17 \text{ kg/kg mole}$

Solution: P_{NH_3} in pipe = 1 atm.

P_{NH_3} at the outlet = 0

$$\begin{aligned} m_{\text{NH}_3} &= \frac{D \cdot A}{\mathfrak{R}T} \frac{P_{\text{NH}_3^1} - P_{\text{NH}_3^2}}{L} \times M \\ &= 0.28 \times 10^{-4} \times \frac{\pi}{4} (0.003)^2 \times \frac{(1.013 \times 10^5 - 0)}{20} \times 3600 \times 178315 \\ &= 7.38 \times 10^{-6} \text{ kg/hr.} \end{aligned}$$

$$\begin{aligned} m_{\text{air}}, N_B &= -N_A = -7.38 \times 10^{-6} \times 28.97/17 \\ &= -1.26 \times 10^{-5} \text{ kg/hr.} \end{aligned}$$

$$M_{\text{air}} = 28.97 \text{ kg/kg mole.}$$

14.5 STATIONARY MEDIA WITH SPECIFIED SURFACE CONCENTRATION

In the diffusion of gas from containers, there is diffusion of gas from inside to the outside without the metal molecules diffusing into the gas. In these cases the concentration of gas at the surfaces should be known. The solubility of the gas in the surface determines the concentration at the surface.

These cases are similar to conduction through the medium.

In these cases the temperature potential in conduction is replaced by concentration potential ($C_{a1} - C_{a2}$) for component A.

The flow rate can be obtained as in the case of conduction.

$$N_a = (C_{a1} - C_{a2})/R.$$

Where R is the resistance of diffusion. The resistance in the case of plane wall is

$$R_p = \frac{L}{D_{ab}A} \quad \dots(14.7)$$

For hollow cylindrical configuration.

$$R_{cyl} = \frac{\ln(r_2 / r_1)}{2\pi D_{ab}L} \quad \dots(14.8)$$

$$\text{For hollow sphere, } R_{sp} = \frac{1}{4\pi D_{ab}} \left[\frac{1}{r_1} - \frac{1}{r_2} \right] \quad \dots(14.9)$$

These equations can be derived from the general equation in Cartesian, cylindrical and spherical coordinate systems.

Example 14.2: Hydrogen stored in a vessel diffuses through the steel wall of 20 mm thickness. The molar concentration at the inner surface is 2 kg mol/m³. At the other surface it is zero. Assuming plane wall condition and $D_{ab} = 0.26 \times 10^{-12}$ m²/s, determine the mass of hydrogen diffused per 1 m².

Solution:

$$N_a = -D_{ab} \cdot \frac{C_{a2} - C_{a1}}{L} = D_{ab} \cdot \frac{C_{a1} - C_{a2}}{L} = D_{ab} \cdot \frac{C_{a1}}{L}$$

$$= 0.26 \times 10^{-12} \times \frac{2}{0.02} = 2.6 \times 10^{-11} \text{ kg mol/s m}^2.$$

For H₂, molecular weight is 2.

$$\therefore \text{mass diffused} = 2 \times 2.6 \times 10^{-11} = \mathbf{5.2 \times 10^{-11} \text{ kg/m}^2\text{s}}.$$

Example 14.3: Hydrogen gas is maintained at 4 bar and 1 bar on the opposite sides of a membrane of 0.5 mm thickness. At this temperature the diffusion coefficient is $8.7 \times 10^{-8} \text{ m}^2/\text{s}$. The solubility of hydrogen in the material which depends on the pressure is $1.5 \times 10^{-3} \text{ m}^3/\text{s bar}$.

Determine the mass diffusion rate of hydrogen through the membrane.

Solution:

$$C_1 = 1.5 \times 10^{-3} \times 4 = 6 \times 10^{-3} \text{ kg mol/m}^3$$

$$C_2 = 1.5 \times 10^{-3} \times 1 = 1.5 \times 10^{-3} \text{ kg mol/m}^3$$

Considering plane wall condition

$$R = \frac{L}{DA} = \frac{0.0005}{8.7 \times 10^{-8} \times 1}$$

$$\therefore \text{Mole flux} = (6 \times 10^{-3} - 1.5 \times 10^{-3}) \left/ \frac{0.0005}{8.7 \times 10^{-8} \times 1} \right.$$

$$= 7.83 \times 10^{-7} \text{ kg mol/m}^2\text{s}.$$

$$\text{Mass flux} = 2 \times 7.83 \times 10^{-7} \text{ kg/m}^2\text{s} = \mathbf{1.566 \times 10^{-6} \text{ kg/m}^2\text{s}}.$$

14.6 DIFFUSION OF ONE COMPONENT INTO A STATIONARY COMPONENT OR UNIDIRECTIONAL DIFFUSION

In this case one of the components diffuses while the other is stationary. For steady conditions the mass diffused should be absorbed continuously at the boundary. In certain cases this is not possible. The popular example is water evaporating into air. In this case, as mentioned earlier, a bulk motion replaces the air tending to accumulate at the interface without being absorbed, causing an increase in the diffusion rate. The diffusion equation for gases can be derived as (with 'a' as the diffusing medium and P = total pressure) (Refer solved problem 16, page 671 for derivation)

$$\frac{N_a}{A} = \frac{P}{\mathcal{R}T} \cdot \frac{D}{(x_2 - x_1)} \cdot \ln \left(\frac{P - P_{a2}}{P - P_{a1}} \right) \quad \dots(14.10)$$

For liquids (considering 'a' as diffusing medium)

$$\frac{N_a}{A} = \frac{D \cdot C}{(x_2 - x_1)} \cdot \ln \left(\frac{C - C_{a2}}{C - C_{a1}} \right) \quad \dots(14.11)$$

14.7 UNSTEADY DIFFUSION

The equation for one dimensional unsteady diffusion is

$$\frac{\partial^2 C_a}{\partial x^2} = \frac{1}{D} \cdot \frac{\partial C_a}{\partial \tau} \quad \dots(14.12)$$

This is similar to heat conduction equation with C_a and D replaced by T and α . All the solutions for various boundary conditions for unsteady conduction are applicable for mass transfer, except that the parameters are different. Heisler charts can also be used, properly recognising the parameters to be used.

<i>Conduction parameters</i>	<i>Equivalent Mass Transfer parameters</i>
$\frac{T - T_\infty}{T_i - T_\infty}$	$\frac{C_a - C_{as}}{C_{ai} - C_{as}}$
$Fo = \alpha\tau/L^2$	$F_{om} = \frac{Dt}{L^2}$
$Bi = \frac{hL}{k}$	$Bi_m = \frac{h_m L}{D}$
$\frac{x}{2\sqrt{\alpha\tau}}$	$\frac{x}{2\sqrt{D\tau}}$

Refer solved problem No. 24 for example.

14.8 CONVECTIVE MASS TRANSFER

When a medium deficient in a component flows over a medium having an abundance of the component, then the component will diffuse into the flowing medium. Diffusion in the opposite direction will occur if the mass concentration levels of the component are interchanged.

In this case a boundary layer develops and at the interface mass transfer occurs by molecular diffusion (In heat flow at the interface, heat transfer is by conduction).

Velocity boundary layer is used to determine wall friction. Thermal boundary layer is used to determine convective heat transfer. Similarly concentration boundary layer is used to determine convective mass transfer.

The Fig. 14.2 shows the flow of a mixture of components A and B with a specified constant concentration over a surface rich in component A . A concentration boundary layer develops. The concentration gradient varies from the surface to the free stream. At the surface the mass transfer is by diffusion. Convective mass transfer coefficient h_m is defined by the equation, where h_m has a unit of m/s.

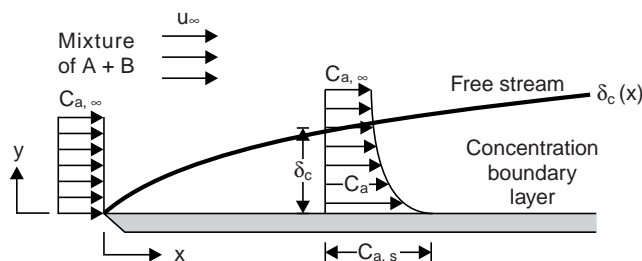


Fig. 14.2. Species concentration boundary layer development on a flat plate.

$$\text{Mole flow} = h_m(C_{as} - C_{a\infty})$$

The condition for diffusion at the surface is given by

$$\begin{aligned} \text{Mole flow} &= -D_{ab} \left. \frac{\partial C_a}{\partial y} \right|_{y=0} \\ &= -D_{ab} \cdot \left. \frac{\partial C_a}{\partial y} \right|_{y=0} \\ \therefore h_m &= \frac{-D_{ab} \cdot \left. \frac{\partial C_a}{\partial y} \right|_{y=0}}{C_{as} - C_{a\infty}} \end{aligned} \quad \dots(14.13)$$

In the above case, if mass flow is to be used then

$$h_m = \frac{-D_{ab} \cdot \left. \frac{\partial \rho_a}{\partial y} \right|_{y=0}}{\rho_{as} - \rho_{a\infty}} \quad \dots(14.14)$$

Similar to the momentum and energy equation, the mass concentration equation can be obtained as below:

$$\begin{aligned} u \frac{\partial u}{\partial x} + v \frac{\partial u}{\partial y} &= \nu \cdot \frac{\partial^2 u}{\partial y^2} \\ u \frac{\partial T}{\partial x} + v \frac{\partial T}{\partial y} &= \alpha \frac{\partial^2 T}{\partial y^2} \\ u \frac{\partial C_a}{\partial x} + v \frac{\partial C_a}{\partial y} &= D_{ab} \frac{\partial^2 C_a}{\partial y^2} \end{aligned} \quad \dots(14.15)$$

By similarity the solutions for boundary layer thickness for convective mass transfer can be obtained. This is similar to the heat transfer by analogy. In this case, in the place of Prandtl number Schmidt number defined by

$$Sc = \nu/D_{ab} \quad \dots(14.16)$$

Nondimensionalising the equation leads to the condition as below:

$$\delta_m = f(Re, Sc) \quad \dots(14.17)$$

$$Sh = f(Re, Sc) \quad \dots(14.18)$$

where Sherwood number Sh is defined as

$$Sh = \frac{h_m x}{D_{ab}}$$

In the laminar region flow over plate :

$$\delta_{mx} = \frac{5x}{Re_x^{1/2}} \cdot Sc^{-1/3} \quad \dots(14.19)$$

$$Sh_x = \frac{h_{mx} x}{D_{ab}} = 0.332 Re_x^{1/2} Sc^{1/3} \quad \dots(14.20)$$

$$\overline{Sh}_L = \frac{h_m L}{D_{ab}} = 0.664 Re_2^{1/2} Sc^{1/3} \quad \dots(14.21)$$

In the turbulent region $Re > 5 \times 10^5$,

$$\delta_m = \delta_v \quad \dots(14.22)$$

$$Sh_x = 0.0296 Re_x^{0.8} Sc^{1/3} \quad \dots(14.23)$$

$$\bar{Sh}_L = 0.037 Re_L^{0.8} Sc^{1/3} \quad \dots(14.24)$$

For flow through tubes,

In the laminar region, $Re < 2000$

For uniform wall mass concentration,

$$Sh = 3.66 \quad \dots(14.25)$$

For uniform wall mass flux

$$Sh = 4.36 \quad \dots(14.26)$$

For turbulent region,

$$Sh = 0.023 Re^{0.83} Sc^{1/3} \quad \dots(14.27)$$

14.9 SIMILARITY BETWEEN HEAT AND MASS TRANSFER

It is possible from similarity between the heat convection equation and mass convection equation to obtain value of h_m . (i.e., called as Lewis number)

$$\frac{h}{h_m} = \rho C_p / Le^{2/3} \quad \dots(14.28)$$

where $Le = \frac{\alpha}{D} \quad \dots(14.29)$

Many of the correlation in heat transfer can be applied to mass transfer under similar condition, by replacing Nusselt number by Sherwood number and Prandtl number by Schmidt number.

SOLVED PROBLEMS

Example 14.01: A tank contains a mixture of CO_2 and N_2 in the mole proportions of 0.2 and 0.8 at 1 bar and 290 K. It is connected by a duct of sectional area 0.1 m^2 to another tank containing a mixture of CO_2 and N_2 in the molal proportion of 0.8 and 0.2. The duct is 0.5 m long. Determine the diffusion of CO_2 and N_2 , $D = 0.16 \times 10^{-4} \text{ m}^2/\text{s}$.

Solution: This is a situation of equimolar counter diffusion. The partial pressures have to be used as the diffusing components are gases. The partial pressures are directly proportional to the mole concentration. Denoting CO_2 by a and N_2 by b

$$P_{a1} = 0.2 \text{ bar} \quad P_{a2} = 0.8 \text{ bar}, \quad P_{b1} = 0.8 \text{ bar} \quad \text{and} \quad P_{b2} = 0.2 \text{ bar}$$

The value of gas constant should be obtained in terms of atm pressure or the pressures should be used in N/m^2 in case the following value is used.

$$R = 8315 \text{ J/kg mol K.}$$

$$\frac{N_a}{A} = \frac{D}{RT} \cdot \frac{P_{a2} - P_{a1}}{x_2 - x_1}, \quad \frac{N_a}{A} = \frac{0.16 \times 10^{-4} (0.8 - 0.2) \times 10^5}{8315 \times 290 \times 0.5},$$

$$\frac{N_a}{A} = 7.9623 \times 10^{-7} \text{ kg mol/m}^2\text{s, area} = 0.1 \text{ m}^2$$

$$\therefore N_a = 7.9623 \times 10^{-8} \text{ kg mol/s, } m_a = 3.5 \times 10^{-6} \text{ kg/s of CO}_2$$

As the diffusion is equimolal counter diffusion

$$N_b = 7.9623 \times 10^{-8} \text{ kg mol/s, } m_b = 2.23 \times 10^{-6} \text{ kg/s N}_2.$$

Example 14.02: A pipe carrying ammonia at 1 bar and 40°C is vented to a large tank containing dry air at 1 bar and 40°C to avoid pressure build up. The pipe is 5 mm in dia and 5 m long. Determine the rate of diffusion of air into the ammonia stream. $D = 0.28 \times 10^{-4} \text{ m}^2/\text{s}$.

Solution: The partial pressure of air at the end of pipe is 1 bar and at the connection with ammonia tank it is zero.

$$N_a = \frac{\pi \times 0.005^2}{4} \times \frac{(10^5 - 0)}{5} \times \frac{0.28 \times 10^{-4}}{8315 \times 313}$$

$$= 4.225 \times 10^{-12} \text{ kg mol/s}$$

or in terms of mass $N_a \times M_a$ gives $1.263 \times 10^{-10} \text{ kg/s}$.

Example 14.03: A well is 40 m deep and 9 m dia and the atmospheric temperature is 25°C. The air at the top is having a relative humidity of 50%. Determine the rate of diffusion of water vapour through the well $D = 2.58 \times 10^{-5} \text{ m}^2/\text{s}$.

Solution: This is a situation of diffusion into a stationary medium. The partial pressure is equal to saturation pressure at 25°C = 0.03169 bar. At the top RH = 50%.

$$\therefore \text{Partial pressure} = 0.5 \times 0.03169 \text{ bar.}$$

If mass is to be calculated use the gas constant for the gas instead of universal gas constant.

$$m_a = A \cdot \frac{DP}{R_a T(x_2 - x_1)} \cdot \ln \frac{P - P_{b2}}{P - P_{b1}}$$

$$R_a = \frac{8315}{18} \text{ J/kgK, } T = 298 \text{ K., } x_2 - x_1 = 40 \text{ m}$$

$$A = \frac{\pi \times 9^2}{4}, P = 10^5 \text{ N/m}^2$$

$$\therefore m_a = \frac{\pi \times 9^2}{4} \times \frac{2.58 \times 10^{-5} \times 18}{8315 \times 298 \times 40} \times 10^5 \cdot \ln \frac{10^5(1 - 0.5 \times 0.03169)}{10^5(1 - 0.03169)}$$

$$= 4.84 \times 10^{-7} \text{ kg/s (low because of large depth).}$$

Example 14.04: Gaseous hydrogen diffuses through a steel wall of 3 mm thickness. The molar concentration of hydrogen at the interface is 1.5 kg mol/m^3 and it is zero on the outer face. Determine the diffusion rate of hydrogen.

Solution: $D = 0.3 \times 10^{-12} \text{ m}^2/\text{s}$

In this case we can use the one dimensional diffusion equation.

$$N = D \cdot \frac{C_{a1} - C_{a2}}{L} = \frac{0.3 \times 10^{-12} \times 1.5}{0.003}$$

$$= 1.5 \times 10^{-10} \text{ kg mole/ sm}^2.$$

Example 14.05: Benzene liquid at 25°C is in a cylindrical glass jar of 5 cm dia at the bottom. Air column is 30 cm above the liquid. The air in the jar is stationary. Sufficient movement exists at the top of remove the diffused vapour so that the partial pressure of vapour at the top can be assumed as zero. Determine the diffusion rate. The partial pressure at the interface is 0.1 bar.

Solution: $D = 0.0962 \times 10^{-4} \text{ m}^2/\text{s}$ $R = 8315/78$, as C_6H_6 has a molecular mass of 78.

This is a situation of diffusion into a stationary medium.

$$m_a = \frac{A \cdot D}{R_a T} \cdot \frac{P}{x_2 - x_1} \ln \frac{P - P_{a1}}{P - P_{a2}}$$

$$\therefore m_a = \frac{\pi \times 0.05^2}{4} \times \frac{10^5 \times 0.0962 \times 10^{-4}}{0.3} \times \frac{78}{8315 \times 298} \cdot \ln \frac{1.0}{0.9}$$

$$= 2.088 \times 10^{-8} \text{ kg/s.}$$

Example 14.06: In a solar pond salt is placed at the bottom of the pond 1.5 m deep. The surface is flushed constantly so that the concentration of salt at the top layer is zero. The salt concentration at the bottom layer is 5 kg mole/m³. Determine the rate at which salt is washed off at the top at steady state conditions per m². $D = 1.24 \times 10^{-9} \text{ m}^2/\text{s}$.

Solution: This is also diffusion of one component into a stationary component.

$$N = \frac{D_{ab}}{L} \cdot C \ln \frac{C - C_{a1}}{C - C_{a2}}$$

$$C = 1000/18 \text{ kg mole/m}^3 \text{ (This is approximate), } C_{a1} = 0$$

$$\therefore N = \frac{1.24 \times 10^{-9}}{1.5} \times \frac{1000}{18} \cdot \ln \frac{(1000/18)}{\left(\frac{1000}{18}\right) - 5}$$

$$= 4.33 \times 10^{-9} \text{ mole/m}^2\text{s, over a month, } 0.0113 \text{ kg mole/m}^2$$

$$\text{mass} = 58.5 \times 0.0113 = 0.656 \text{ kg/month/m}^2.$$

Example 14.07: Air at 25°C and 50% RH flows over water surface measuring 12 m × 6 m at a velocity of 2 m/s. Determine the water loss per day considering flow direction is along the 12 m side. $D_{AB} = 0.26 \times 10^{-4} \text{ m}^2/\text{s}$, $Sc = 0.60$, $\nu = 15.7 \times 10^{-6} \text{ m}^2/\text{s}$.

Solution: The density of water vapour at 25°C at saturated condition, from steam tables = 0.023 kg/m³

$$Re = \frac{U_\infty L}{\nu} = \frac{2 \times 12}{15.7 \times 10^{-6}} = 1.53 \times 10^6 \quad \therefore \text{flow is turbulent}$$

$$\overline{Sh} = (0.037 Re^{0.8} - 871) Sc^{0.333}$$

$$= \{0.037 \times (1.53 \times 10^6)^{0.8} - 871\} 0.6^{0.333} = 2032.$$

The mass transfer coefficient

$$h_m = Sh \left(\frac{D_{ab}}{L} \right) = 2032 \times \frac{0.26 \times 10^{-4}}{12} = 4.1 \times 10^{-3} \text{ m/s}$$

$$\begin{aligned}\text{Mass transfer rate} &= A h_m (\rho_{aw} - \rho_{am}) \\ &= 12 \times 6 \times 4.4 \times 10^{-3} (0.023 - 0.023 \times 0.5) \times 3600 \times 24 = 314.8 \text{ kg/day.}\end{aligned}$$

Example 14.08: Air at 25°C and 20% RH flows through a pipe of 25 mm ID with a velocity of 5.2 m/s. The inside surface is constantly wetted with water and a thin water film is maintained throughout. Determine the water evaporated per m² surface area.

Solution: From tables $v = 15.7 \times 10^{-6} \text{ m}^2/\text{s}$, $Sc = 0.60$

$$D_{ab} = 0.26 \times 10^{-4} \text{ m}^2/\text{s}.$$

Density of water vapour at saturation = 0.023 kg/m³

$$Re = \frac{5.2 \times 0.025}{15.7 \times 10^{-6}} = 8280 \quad \therefore \text{Turbulent}$$

$$Sh = 0.023 \cdot Re^{0.83} Sc^{1/3} = 0.023 \times 8280^{0.83} \times 0.6^{1/3} = 34.65$$

$$h_m = \frac{34.65 \times 0.26 \times 10^{-4}}{0.025} = 0.036 \text{ m/s}$$

$$\begin{aligned}\therefore \text{mass flow} &= 0.036 \times (0.023 - 0.023 \times 0.20) \text{ kg/s m}^2 \\ &= 6.22 \times 10^{-4} \text{ kg/m}^2\text{s or } 4.886 \times 10^{-5} \text{ kg/s per m length} \\ &\quad (1 \text{ m}^2 \text{ will equal } 1/\pi \times 0.025 = 12.73 \text{ m length of pipe}).\end{aligned}$$

Example 14.09: A thermometer whose bulb is covered by a wetted cloth reads 20°C when dry air is blown over it. Determine the temperature of the air.

Solution: Heat is removed from the air by convection and is used for the evaporation of water over the bulb.

The energy balance is obtained as heat transfer by convection = heat used for the evaporation

$$h A(T_a - T_t) = m \cdot h_{fg}$$

where h is the convection coefficient, A is the surface area, T_a is the temperature of air, T_t is the thermometer reading, m is the rate of evaporation and h_{fg} is the enthalpy of evaporation.

The mass evaporated is given by

$$h_m A(C_t - C_a)$$

where h_m is the mass transfer coefficient, C_t is the concentration of water vapour in air over the thermometer surface and C_a is the concentration of water vapour in air.

In this case

$$C_a = 0$$

$$\therefore h(T_a - T_t) = h_m C_t h_{fg}$$

The air over the thermometer is saturated at 20°C

$$\therefore C_t = 1/57.791 \text{ kg/m}^3 \text{ (steam tables)} \quad h_{fg} = 2454.1 \text{ kJ/kg}$$

$$\text{As } (h/h_m) = \rho \cdot c_p \left(\frac{\alpha}{D} \right)^{2/3}$$

$$\frac{\alpha}{D} = \frac{Sc}{Pr} = 0.790, \quad \rho = 1.205 \text{ kg/m}^3.$$

From property tables for air

$$\alpha = 0.2142 \times 10^{-4}, D = 2.712 \times 10^{-5}$$

$$\frac{h}{h_m} = 1.205 \times 1005 \times \left(\frac{0.2142 \times 10^{-4}}{2.712 \times 10^{-5}} \right)^{0.666} = 1034.65$$

$$\begin{aligned} \therefore T_a &= T_t + \left(\frac{1}{h/h_m} \right) C_t h_{fg} = 20 + \frac{1}{1034.65} \times \frac{1}{57.791} \times 2.4541 \times 10^6 \\ &= 61^\circ\text{C}. \end{aligned}$$

This can be checked using psychrometric chart moving along 20°C wet bulb line going to zero specific humidity.

Example 14.10: If air at 30°C flows over a wet bulb thermometer, which reads 22°C , determine the relative humidity of the air.

Solution: The property values for air are read at 26°C (mean temperature, usual units)

$$\begin{aligned} \rho &= 1.181 & c &= 1005, \alpha = 0.2228 \times 10^{-4} & D_{ab} &= 2.583 \times 10^{-5} \text{ m}^2/\text{s} \\ \text{At } 22^\circ\text{C} & & C_t &= 1/51.447 = 0.01944, & h_{fg} &= 2449.4 \times 10^3 \text{ J/kg} \end{aligned}$$

A heat balance as in example 14.09 will yield

$$T_a - T_t = \frac{h_m}{h} (C_t - C_a) h_{fg} \quad \dots(\text{A})$$

$$\frac{h}{h_m} = \rho c \left(\frac{\alpha}{D} \right)^{2/3} = 1.181 \times 1005 \times \left(\frac{0.2228 \times 10^{-4}}{2.583 \times 10^{-5}} \right)^{0.666} = 1075.5$$

Substituting in A

$$(30 - 22) = \frac{1}{1075.5} \times 2.4494 \times 10^6 (0.0194 - C_a) \quad \therefore C_a = 0.01593$$

$$C_t = \text{at saturation at } 30^\circ\text{C} = \frac{1}{32.894} = 0.0304$$

$$\therefore RH = 0.01593/0.0304 = 0.524$$

or

$$RH = 52.4\%$$

From Psychrometric chart 50% checks reasonably.

(51.447 and 32.894 are specific volumes of steam at 22°C and 30°C used to calculate C_t).

Example 14.11: Determine the value of diffusion coefficient for the given pairs at a total pressure of 101.3 kPa. (i) Hydrogen and air at 0°C , (ii) Water and air at 8°C , and (iii) Oxygen and air at 0°C . (**Note.** Molecular volumes should be specified)

Solution: Molecular volume V for some gases are tabulated below :

Gas	V	Gas	V
Air	29.9	O ₂	7.4
CO ₂	34.0	O ₂ with S	8.3
H ₂	14.3	S	25.6
Nitrogen	15.6	Water	18.8

For this problem the required values are given below :

Gas	Volume, V	Molecular weight, M
Air	29.9	28.9
Hydrogen	14.3	2.0
Oxygen	7.4	32.0
Water	18.8	18.0

The applicable equation (from references)

$$D_{ab} = \{0.04357 \times T^{1.5}\} \times [(1/M_a) + (1/M_b)]^{0.5} / \left\{ P \times (V_a^{1/3} + V_b^{1/3})^2 \right\} \text{ m}^2/\text{s}$$

Note. Pressure P in N/m^2 and temperature T in K .

(i) **Hydrogen and air at 0°C or 273 K**

$$D_{ab} = \{(0.04357 \times 273^{1.5}) \times [(1/2) + (1/28.9)]^{0.5} / \{101.3 \times 10^3 \times (14.3^{1/3} + 29.9^{1/3})^2\} \text{ m}^2/\text{s}$$

$$= 46.36 \times 10^{-6} \text{ m}^2/\text{s} \text{ [Data Book value } 54.7 \times 10^{-6}]$$

(ii) **Water and air at 8°C or 281 K**

$$D_{ab} = \{(0.04357 \times 281^{1.5}) \times [(1/18) + (1/28.9)]^{0.5} / \{101.3 \times 10^3 \times (18.8^{1/3} + 29.9^{1/3})^2\} \text{ m}^2/\text{s}$$

$$= 18.32 \times 10^{-6} \text{ m}^2/\text{s} \text{ [Data Book value: } 20.5 \times 10^{-6}]$$

(iii) **Oxygen and air at 0°C or 273 K**

$$D_{ab} = \{(0.04357 \times 273^{1.5}) \times [(1/32) + (1/28.9)]^{0.5} / \{101.3 \times 10^3 \times (7.4^{1/3} + 29.9^{1/3})^2\} \text{ m}^2/\text{s}$$

$$= 19.5 \times 10^{-6} \text{ m}^2/\text{s} \text{ [Data Book value : } 15.3 \times 10^{-6}]$$

Example 14.12: Estimate the value of diffusivity for ethanol vapour ($\text{C}_2\text{H}_5\text{OH}$) diffusing into air at 0°C .

Solution: Diffusivity is determined also in terms of collision function and energy of molecular attraction. In this method the equation to be used for the determination of diffusivity D_{ab} is,

$$D_{ab} = \{10^{-4} (1.084 - 0.249 \times A) \times T^{1.5} \times A\} / \{P \times r^2 \times B\}$$

where $A = \{(1/M_a) + (1/M_b)\}^{0.5}$

B = collision function, $f(kT/\epsilon_{ab})$, available from charts,

k = Boltzmann constant,

ϵ_{ab} = energy of molecular attraction = $(\epsilon_a \times \epsilon_b)^{0.5}$

r = molecular separation at collision = $(r_a + r_b)/2$, in **nm**,

M = molecular weight, P = total pressure in Pa , (N/m^2)

T = temperature in K

The value of r is determined from molecular volume. (k/ϵ) is determined using boiling temperature.

For the problem in hand $T = 273 \text{ K}$, $P = 1.013 \times 10^5 \text{ Pa}$, $M_a = 46$,

$M_b = 29$, $A = 0.237$, $r = 0.416$, $B = 0.595$ (reference)

Note. Obtaining values for r and B for various combination of materials is the crux of the problem.

Substituting the above values

$$\begin{aligned} D_{ab} &= \{10^{-4}(1.084 - 0.249 \times 0.237) \times 273^{1.5} \times 0.237\} / \\ &\quad \{1.013 \times 10^5 \times 0.416^2 \times 0.595\} \\ &= \mathbf{10.5 \times 10^{-6} \text{ m}^2/\text{s}}, \text{ (tables value = } \mathbf{10.2 \times 10^{-6} \text{ m}^2/\text{s}).} \end{aligned}$$

Example 14.13: Estimate the value of diffusivity of mannitol liquid ($C_6H_{14}O_6$) for diffusion in dilute solution of water at 20°C .

Solution: The equation applicable for diffusivity of liquid **a** in very dilute solution in solvent **b** is (references)

$$D_{ab} = 117.3 \times 10^{-18} (\phi \times M_b)^{0.5} \times T / \{\mu \times V_a^{0.6}\}$$

where μ = solution viscosity in kg/ms,

ϕ = association factor for solvent, [2.26 for water, 1.9 for methanol, 1.5 for ethanol, 1.0 for benzene, ethyl, ether]

v_a = solute molal volume, values rather scarce to obtain,

The values of parameters for this problem are

$$v_a = 0.185, M_b = 18, \phi = 2.26, \mu = 1.005 \times 10^{-3} \text{ kg/ms},$$

Substituting the values

$$\begin{aligned} D_{ab} &= 117.3 \times 10^{-18} \times (2.26 \times 18)^{0.5} \times 293 / \{1.005 \times 10^{-3} \times 0.185^{0.6}\} \\ &= \mathbf{0.601 \times 10^{-9} \text{ m}^2/\text{s}}, \text{ [tables value } \mathbf{0.56 \times 10^{-9} \text{ m}^2/\text{s}} \end{aligned}$$

Example 14.14: Determine the diffusivity of liquid mannitol in dilute water solution at 70°C ($C_6H_{14}O_6$).

Solution: Examining the various parameters in the equation in problem 14.13 only the viscosity is found to be dependent on temperature. So the value of diffusivity at 20°C is used to solve this problem.

$$(D_{ab1} \times \mu_1 / T_1) = (D_{ab2} \times \mu_2 / T_2)$$

Substituting the values, at $70^\circ\text{C} = 0.4061 \times 10^{-3} \text{ kg/ms}$

$$\begin{aligned} (D_{ab2} \times 0.4061 \times 10^{-3} / 343) &= (0.601 \times 10^{-9} \times 1.005 \times 10^{-3} / 293) \\ D_{ab2} &= \mathbf{1.741 \times 10^{-9} \text{ m}^2/\text{s}}, \text{ [tables value } \mathbf{1.56 \times 10^{-9} \text{ m}^2/\text{s}} \end{aligned}$$

Example 14.15: Derive the expression for equimolar counter diffusion of gases a and b .

Solution: Fick's law applied to one dimensional steady state diffusion gives the mass flux of a as

$$m_a/A = -D_{ab} \times (dC_a/dx) = -D_{ab}(d\rho_a/dx) \quad \dots(A)$$

C_a = mass concentration of component a per unit volume in kg/m^3 or the density ρ_a of the particular component, D_{ab} is the diffusion coefficient and A is the area and x is the diffusion direction.

For gases $\rho = P/RT$, R = gas constant

At constant temperature, $d\rho_a = [1/(R_a \times T)] dP_a$

Substituting in equation A

$$(m_a/A) = [-D_{ab}/(R_a \times T)] \times (dP_a/dx)$$

Integrating between sections x_1 and x_2

$$(m_a/A) = [-D_{ab}/(R_a \times T)] \times [(P_{a1} - P_{a2})/(x_2 - x_1)]$$

Note. In place of R_a , the ratio universal gas constant/molecular weight of a , may be used.

If number of moles diffusing is needed then $N_a = m_a/M_a$

$$N_a/A = [D_{ab}/(M_a \times R_a \times T) \times (P_{a1} - P_{a2})/(x_2 - x_1)]$$

Note. $N_a = -N_B$ to maintain uniform pressure.

$$M_a \times R_a = \text{universal gas constant} = 8315 \text{ J/kg K.}$$

Example 14.16: Derive an expression for the diffusion of one component into a non diffusing (stationary) component.

Solution: Refer Fig. P.14.16 : Let w be the diffusing component and a is the non-diffusing (stationary) component.

The diffusion of component a into w is given by

$$m_a = [-D_{aw} \times A/(R_a \times T)] \times (dP_a/dx)$$

But this material diffusing is not absorbed into component w . So a bulk flow of the mixture is necessary to balance the diffusion of component a . Let the bulk flow velocity be u .

$$\rho_a \times A \times u = - [P_a/(R_a \times T)] \times A \times u$$

Solving for u from the above two equations,

$$u = [D_{aw}/P_a] \times [dP_a/dx]$$

Mass diffusion of component w

$$m_{wd} = \{(-D_{wa} \times A)/(R_w \times T)\} \times \{dP_w/dx\} \quad \dots(A)$$

Flow of component w with the bulk flow

$$\rho_w \times A \times u = \{P_w/(R_w \times T)\} \times A \times u$$

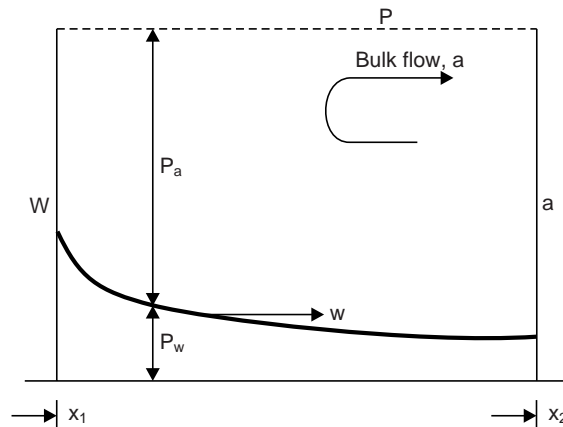


Fig. P.14.16

Substituting for u , the flow of w with bulk flow

$$m_{wb} = \{P_w \times A \times D_{wa}\}/(R_w \times T \times P_a) \times \{dP_a/dx\} \quad \dots(B)$$

Total mass transport of component w $m_{w \text{ total}} = m_{wd} + m_{wb}$

$$m_{w \text{ total}} = \{(-D_{wa} \times A)/R_w \times T\} \times \{dP_w/dx\} + \{(P_w \times A \times D_{wa})/(R_w \times T \times P_a)\} \times \{dP_a/dx\}$$

As the total pressure $P = P_a + P_w$ is a constant

we get

$$dP_a/dx = -dP_w/dx$$

$$\begin{aligned} m_{\text{total}} &= \{(-D_{wa} \times A)/(R_w \times T)\} \times \{1 + P_w/P_a\} \times (dP_w/dx) \\ &= \{(-D_{wa} \times A)/(R_w \times T)\} \{P/(P - P_w)\} \times (dP_w/dx) \end{aligned}$$

Cross multiplying and integrating (note $D_{wa} = D_{aw}$)

$$\int m dx = \{-D_{wa} \times A \times P/(R_w \times T)\} \int (dP_w)/(P - P_w)$$

$$m_{w\text{total}} = \{-D \times A \times P/(R_w \times T) \times (x_2 - x_1)\} \times \ln[P - P_{w2}/(P - P_{w1})]$$

As $P - P_{w2} = P_{a2}$ and $P - P_{w1} = P_{a1}$

$\ln(P_{a2}/P_{a1})$ can be used in place of $\ln[(P - P_{w2})/(P - P_{w1})]$

Example 14.17: Oxygen diffuses through a layer of 3 mm thickness of a mixture of hydrogen and methane in equal volumes. The total pressure is 1 bar and the temperature is 0°C. The partial pressure of oxygen at the two surfaces are 10000 Pa and 5000 Pa. Determine the rate of diffusion of oxygen. The diffusivity of O_2 into H_2 is $69.9 \times 10^{-6} \text{ m}^2/\text{s}$ and the diffusivity of oxygen into methane is $18.6 \times 10^{-6} \text{ m}^2/\text{s}$.

Solution: The diffusivity into a mixture is obtained by the relation

$$(1/D_{\text{total}}) = (C_1/D_1) + (C_2/D_2)$$

where C is the volume fraction or molal fraction.

Substituting the values

$$1/D_{\text{total}} = (0.5/69.9 \times 10^{-6}) + (0.5/18.6 \times 10^{-6})$$

$$D_{\text{total}} = 29.38 \times 10^{-6} \text{ m}^2/\text{s}$$

The diffusion rate of oxygen is obtained by

$$(m_a/A) = [-D_{ab}/(R_a \times T)] \times [(P_a - P_{a2})/(x_2 - x_1)]$$

Substituting the values

$$\begin{aligned} (m_a/A) &= [(-29.38 \times 10^{-6} \times 32)/(8315 \times 273)] \times [(5000 \times 10000)/(0.003)] \\ &= \mathbf{0.746 \times 10^{-3} \text{ kg/sm}^2 \text{ or } 23.32 \times 10^{-6} \text{ kg mole/sm}^2} \end{aligned}$$

Example 14.18: Ethyl alcohol (C_2H_6O) is at the bottom of a glass jar of 30 mm dia at a depth of 80 mm from the top. Air flows at the top and the concentration of alcohol in the air is zero. The total pressure is 1.013 bar and the temperature is 25°C. The partial pressure of alcohol at this temperature is 0.08 bar. Determine the diffusion rate.

Solution: Diffusion coefficient, $D = 11.9 \times 10^{-6} \text{ m}^2/\text{s}$. Molecular weight = 46, $R_b = 8315/46 = 180.76 \text{ J/kg K}$.

This is a situation of one component b (alcohol) diffusing into a stationary component (air).

$$m_b = \{(D \times P \times A)/(R_b \times T) \times (x_1 - x_2)\} \{\ln(P - P_{b2})/(P - P_{b1})\}$$

$$P_{b2} = 0, \text{ (Top surface), } P_{b1} = 0.08 \text{ bar (interface)}$$

$$m_b = \{11.9 \times 10^{-6} \times 1.013 \times 10^5 \times \pi \times 0.015^2\}/$$

$$(180.76 \times 288 \times 0.08) \times \{\ln(1.013 - 0)/(1.013 - 0.08)\}$$

$$= \mathbf{16.83 \times 10^{-9} \text{ kg/s or } 60.59 \times 10^{-6} \text{ kg/hr.}}$$

Example 14.19: Liquid water diffuses steadily into stationary liquid ethanol layer of 8 mm thickness at 16°C. The concentration of water at the interface is 2 kg mole/m³. At the top of the ethanol layer the concentration is 0.5 kg mol/m³. Determine the rate of diffusion per m². $M = 46$, $D = 0.9 \times 10^{-9}$ m²/s. The total concentration at the interface is 19.6 kgmole/m³.

Solution: This is a situation where a liquid component (water) diffuses into another stationary liquid component (ethanol).

The equation applicable is

$$\begin{aligned} N_a/A &= [(D \times C)/(x_2 - x_1) \times \{\ln[C - C_{a2}]/(C - C_{a1})\}] \\ &= \{(9 \times 10^{-10} \times 19.6)/0.008\} \times \{\ln(19.6 - 0.5)/(19.6 - 2)\} \\ &= 0.18 \times 10^{-6} \text{ kg mol/s m}^2, \text{ Multiplying by molecular weight} \\ m_a/A &= \mathbf{3.24 \times 10^{-6} \text{ kg/sm}^2 \text{ or } 0.03 \text{ kg/m}^2 \text{ hr.}} \end{aligned}$$

Example 14.20: Acetic acid diffuses into a nondiffusing film of water of 1 mm thickness. The concentration of acid on the opposite sides of the film are 9 and 3% of acid by weight. The diffusivity at this temperature is 0.95×10^{-9} m²/s. Determine the rate of diffusion of acid. The molecular weight of the acid is 60. The density of the solution with 9% acid is 1012 kg/m³ and for the 3% solution it is 1003.2 kg/m³.

Solution: The equation applicable is

$$\begin{aligned} N_a/A &= [(D \times C)/(x_2 - x_1)] \times \{\ln[(C - C_{a2})/(C - C_{a1})]\} \\ C_{a1} &= (0.09/60)/\{(0.09/60) + (0.91/18)\} = 0.0288 \text{ (mole fraction)} \\ C - C_{a1} &= 0.9712. \end{aligned}$$

Considering 1 kg of solution

$$\text{the number of moles} = (0.09/60) + (0.91/18) = 0.052$$

$$M_{\text{mixture}} = 1/0.052 = 19.21$$

Number of moles per m³ = 1012/19.21 = 52.7 kg mol/m³.

$$C_{a2} = (0.03/60)/\{(0.03/60) + (0.97/18)\} = 0.0092$$

$$C - C_{a2} = 0.9908$$

Considering 1 kg of solution the number of moles

$$= (0.03/60) + (0.97/18) = 0.0543$$

$$M_{\text{mixture}} = 1/0.0543 = 18.4,$$

Number of moles per m³ = 1003.2/18.4 = 54.5 kg mol/m³.

Average mole concentration, $C = (52.7 + 54.2)/2 = 53.6$

Substituting the values

$$\begin{aligned} N_a/A &= [(0.95 \times 10^{-9} \times 53.6)/(0.001)] \times \{\ln(0.9908/0.9712)\} \\ &= \mathbf{1.07 \times 10^{-6} \text{ kg/m}^2 \text{ s.}} \end{aligned}$$

Example 14.21: A steel tank storing hydrogen has a wall thickness of 12 mm. Determine the leakage rate of hydrogen through the wall by diffusion. $D = 0.26 \times 10^{-12}$ m²/s. At the inner surface the molar concentration of Hydrogen is 1.2 kg mole/m³. At the outside the concentration is 0.2 kg mole/m³.

Solution: Hydrogen diffuses through the steel plate. The tank wall is considered as a flat plate.

$$\begin{aligned} N_a/A &= -D(C_{a2} - C_{a1})/(x_2 - x_1) = 0.26 \times 10^{-12}(1.2 - 0.2)/0.012 \\ &= 21.67 \times 10^{-12} \text{ kg mol/sm}^2 \\ m_a &= \mathbf{43.33 \times 10^{-12} \text{ kg/sm}^2 \text{ or } 1.37 \text{ g/m}^2 \text{ year.}} \end{aligned}$$

Example 14.22: A spherical tank of 0.18 m radius made of fused silica has a wall thickness of 2.5 mm. It is originally filled with helium at 6 bar gauge and 0°C. Determine the rate of pressure drop with time at this condition due to gas diffusion.

$D = 0.04 \times 10^{-12} \text{ m}^2/\text{s}$, the density of gas at the solid surface is given by $18 \times 10^{-9} \text{ kg/m}^3$ Pa. (also termed solubility)

Solution: The wall is approximated as a flat plate.

$$\text{Gas mass in the container} = m = (PV/RT)$$

As the pressure drop due to diffusion is slow, constant temperature can be assumed. As the vessel is rigid constant volume can be assumed. Hence

$$dm/d\tau = (V/RT) \times (dp/d\tau)$$

This rate of change of mass will equal the mass diffusing through the wall of thickness L . As ρ_{a2} is equal to zero.

$$dm/d\tau = A \times D_{ab} \times \rho_{a1}/L$$

where ρ_{a1} is the density of the gas within the solid at the interface

$$(V/RT) \times (dp/d\tau) = (A \times D_{ab}/L) \times \rho_{a1}$$

or

$$dp/d\tau = \{(R \times T \times A \times D_{ab})/(V \times L) \times \rho_{a1}$$

$$R = 8315/4, T = 273\text{K}, L = 0.0025 \text{ m},$$

$$A/V = (4r^2)/\{(4/3)r^3\} = 3/r = 3/0.18$$

$$\rho_a = \text{solubility} \times (P_i - P_o) = 18 \times 10^{-9} \times 6 \times 10^5 \text{ kg/m}^3$$

Substituting

$$\begin{aligned} dp/d\tau &= \{8315 \times 273 \times 3 \times 0.04 \times 10^{-12} \times 18 \times 10^{-9} \times 6 \times 10^5\} / \\ &\quad \{4 \times 0.0025 \times 0.18\} \\ &= 1.634 \times 10^{-6} \text{ N/m}^2 \text{ per second.} \end{aligned}$$

This rate will decrease with time as the pressure drops.

Example 14.23: Oxygen gas is maintained at a pressure of 4 bar and 1.1 bar on opposite sides of a membrane at 25°C. The plastic membrane is 0.4 mm thick. $D = 0.21 \times 10^{-9} \text{ m}^2/\text{s}$. The solubility of oxygen in the membrane material is $9.984 \times 10^{-7} \text{ kg/m}^3 \text{ Pa}$. Determine the mass flow of oxygen through the membrane.

Solution: This is a case of diffusion through a stationary medium.

$$\begin{aligned} m/A &= D \times M \times (\rho_{a1} - \rho_{a2})L \\ &= 0.21 \times 10^{-9} \times 32 \times 9.984 \times 10^{-7} \times (4 - 1.1) \times 10^5 / 0.0004 \\ &= 4.864 \times 10^{-6} \text{ kg/s.} \end{aligned}$$

This solution is an estimate only as the concentration for diffusion for gas to membrane and membrane to gas are based on different volumes namely unit volume of membrane and unit volume of gas.

Example 14.24: A thick layer of water stands still over a slab of sodium chloride salt. The salt diffuses into the water and the concentration of salt at the slab water interface is constant at 380 kg/m^3 . The water is initially pure. Determine the salt concentration at a distance of 10 mm from the interface after 24 hours. Also determine the amount of salt diffused into the water during this time and the thickness of salt dissolved.

Solution: $D = 1.2 \times 10^{-9} \text{ m}^2/\text{s}$, density of salt = 2165 kg/m^3 .

This is a transient diffusion problem. As the salt solution is denser near the salt layer, no bulk flow will occur. The density gradient will maintain a stable layer of water.

The method of solution is similar to that for transient conduction in semi-infinite solid with surface temperature raised and maintained. Let a denote salt.

$$\{(\rho_{a(x, \tau)} - \rho_{as})/(\rho_{ai} - \rho_{as})\} = \text{erf}\{x/2(D \times \tau)^{0.5}\}$$

where $\rho_{a(x, \tau)}$ is the required value of salt concentration at x at time τ , ρ_{as} is the concentration at the interface, and ρ_{ai} is the initial concentration. In this case ρ_{ai} is zero and so

$$\begin{aligned} \rho_{a(x, \tau)} &= \rho_{as} \times \{1 - \text{erf}[x/2(D \times \tau)^{0.5}]\} \\ &= 380 \times \{1 - \text{erf}[0.01/2(1.2 \times 10^{-9} \times 24 \times 3600)^{0.5}]\} \\ &= 380 \times \{1 - \text{erf}(0.491)\} = 380 \times \{1 - 0.52048\} \\ &= 182.22 \text{ kg/m}^3 \end{aligned}$$

The diffusion rate at time τ at the interface is given by $\rho_{as} \times \{D/\pi\tau\}^{0.5}$

The total mass m diffused up to time can be obtained by integrating this with respect to time from zero to τ .

$$\begin{aligned} m &= \rho_{as} \times (D/\pi)^{0.5} \int_0^\tau \tau^{-0.5} d\tau \\ &= 2 \times \rho_{as} \{D \times \tau/\pi\}^{0.5}, \text{ substituting the values} \\ m &= 2 \times 380 \times \{1.2 \times 10^{-9} \times 24 \times 3600/\pi\}^{0.5} = 4.366 \text{ kg/m}^2 \end{aligned}$$

The thickness of salt that will be dissolved can be determined by dividing this quantity by the density of salt.

Thickness dissolved, $L = 4.366/2165 = 0.0020166 \text{ m} = 2.0166 \text{ mm}$.

Example 14.25: *Pure water layer of 10 mm thickness stands over a salt slab. Determine the salt concentration at the top after 12 hours. The concentration at the salt-water interface is constant at 380 kg/m^3 . Diffusion coefficient $D = 1.2 \times 10^{-9} \text{ m}^2/\text{s}$.*

Solution: This process can be modeled similar to transient conduction in infinite slab with surface temperature raised suddenly and maintained constant at this value, *i.e.*, $h = \infty$.

The parameters are $D\tau/L^2$ for constant surface temperature $h = \infty$. The layer at 0.01 m from the interface can be considered as the center plane of the slab as there is no mass transfer at this plane.

$$D\tau/L^2 = 1.2 \times 10^{-9} \times 12 \times 3600/0.01^2 = 0.5184$$

Reading from Heisler chart against this value (ref. example 6.7, Fig. 13(b), Chapter 6)

$$\{(\rho_{a(0, \tau)} - \rho_{as})/(\rho_{ai} - \rho_{as})\} = 0.36$$

Substituting, $\rho_{ai} = 0.0$ and $\rho_{as} = 380$

$$\rho_{a(0, \tau)} = 243.2 \text{ kg/m}^3$$

The concentration will increase with time.

Example 14.26: *Water flows down on the surface of a vertical plate at a rate of 0.05 kg/s over a width of 1 m . The water film is exposed to pure carbon dioxide. The pressure is 1.013 bar and the temperature is 25°C . Water is essentially CO_2 free initially. Determine the rate of absorption of CO_2 . The molal concentration at this condition for CO_2 in water at the surface is 0.0336 kgmol/m^3 of solution. $D = 1.96 \times 10^{-9} \text{ m}^2/\text{s}$, solution density = 998 kg/m^3 , $\mu = 0.894 \times 10^{-3} \text{ kg/lms}$, $G = 0.05 \text{ kg/lms}$, $L = 1 \text{ m}$. The notation for convective mass transfer coefficient is h_m .*

Solution: This is a situation where a flowing film of liquid absorbs the surrounding gas. In this case first the film thickness has to be determined. This is done assuming a velocity profile satisfying the boundary conditions. This results in the expression for δ as

$$\delta = \{(3 \times \mu \times G)/(\rho^2 \times g)\}^{1/3} \quad \dots(A)$$

$$\text{Reynolds number is given by } Re = (4 \times G)/\mu \quad \dots(B)$$

The average value of convective mass transfer coefficient is

$$h_m = \{(6 \times D_{ab} \times G)/(\pi \times \rho \times \delta \times L)\}^{0.5} \quad \dots(C)$$

The average flow velocity in the film is obtained by

$$u = (G/\delta \times \rho) \quad \dots(D)$$

The bulk concentration in the film varies along the flow and so an average bulk concentration is determined as the log-mean-difference. Let the bulk mean concentration at entry be C_{a0} and at L be C_{aL} and at the film surface be C_{ai} (at saturation).

Then the log mean concentration can be obtained as

$$\{(C_{ai} - C_a)\}_{\log \text{ mean}} = \{(C_{ai} - C_{a0}) - (C_{ai} - C_{aL})\} / \ln\{(C_{ai} - C_{a0})/(C_{ai} - C_{aL})\} \quad \dots(E)$$

The total mole diffused up to length L can also be obtained by

$$N_a/A = h_m \times (C_{ai} - C_a)_{\log \text{ mean}} \quad \dots(F)$$

The same can also be obtained by

$$N_a/A = u \times \delta \times (C_{aL} - C_{a0}) \quad \dots(H)$$

Using equations E , F and H , C_{aL} can be solved by trial. Then equations F or H can be used to determine the mole or mass diffused. For this problem

$$\begin{aligned} \delta &= \{(3 \times \mu \times G)/(\rho^2 \times g)\}^{1/3} \\ &= \{(3 \times 0.894 \times 10^{-3} \times 0.05)/(998^2 \times 9.81)\}^{1/3} \\ &= 0.2396 \times 10^{-3} \text{ m.} \end{aligned}$$

$$Re = (4 \times 0.05)/0.894 \times 10^{-3} = 203$$

Equation C can be used to calculate h_m .

$$\begin{aligned} h_m &= \{(6 \times D_{ab} \times G)/(\pi \times \rho \times \delta \times L)\}^{0.5} \\ &= \{(6 \times 1.96 \times 10^{-9} \times 0.05)/(\pi \times 998 \times 0.2396 \times 10^{-3} \times 1)\}^{0.5} \\ &= 27.98 \times 10^{-6} \text{ m/s} \end{aligned}$$

$$u = 0.05/(998 \times 0.2396 \times 10^{-3}) = 0.209 \text{ m/s}$$

Using equation E and F

$$0.209 \times 0.2396 \times 10^{-3} \times (C_{aL} - 0) = (27.98 \times 10^{-6}) \times \{(0.0336 - 0) - (0.0336 - C_{aL})\} / \ln\{(0.0336 - 0)/(0.0336 - C_{aL})\}$$

Solving by trial $C_{aL} = 0.01438 \text{ kg mol/m}^3$

Substituting in

$$\begin{aligned} N_a/A &= u \times \delta \times (C_{aL} - C_{a0}) \\ N_a/A &= 0.209 \times 0.2396 \times 10^{-3} \times (0.01438 - 0.0) \\ &= 0.72 \times 10^{-6} \text{ kg mol/s per } m \text{ width.} \end{aligned}$$

Example 14.27: Dry air at 30°C flows over a plate also at 30°C with the plate surface constantly covered with a water film. The velocity of flow is 6 m/s. The plate is 1 m long. Determine the average convective mass transfer coefficient and also the mass of water evaporated per second.

Solution: The properties of air at 30°C are read as $\rho = 1.165 \text{ kg/m}^3$, kinematic viscosity = $16.0 \times 10^{-6} \text{ m}^2/\text{s}$, diffusion coefficient $D = 2.6 \times 10^{-6} \text{ m}^2/\text{s}$, $Sc = \nu/D = 0.615$. The density of water vapour at 30°C = $1/32.9 \text{ kg/m}^3$, the density of water vapour in dry air is zero.

$$Re = (6 \times 1)/16 \times 10^{-6} = 3.75 \times 10^5 < 5 \times 10^5. \text{ So laminar.}$$

The average value of Sherwood number is given by

$$Sh = 0.664 \times Re^{0.5} \times Sc^{0.333} = 345.86$$

$$Sh = h_m \times L/D, \text{ so } h_m = 8.99 \times 10^{-3} \text{ m/s.}$$

Mass of water evaporated per second,

$$\begin{aligned} m &= A \times h_m \{\rho_{a1} - \rho_{a2}\} = 1 \times 8.99 \times 10^{-3}/32.9 \\ &= \mathbf{0.2733 \times 10^{-3} \text{ kg/s } 1 \text{ kg/hr.}} \end{aligned}$$

Example 14.28: Pure water at 20°C flows over a slab of salt at a velocity of 1 m/s. At the interface the concentration of salt is 380 kg/m³. Determine over a length of 1 m the average convection coefficient for mass transfer and also the rate of diffusion of salt into the water. Assume turbulent flow from the leading edge. $D = 1.2 \times 10^{-9} \text{ m}^2/\text{s}$, density of water = 1000 kg/m^3 , kinematic viscosity = $1.006 \times 10^{-6} \text{ m}^2/\text{s}$, $Sc = 1.0006 \times 10^{-6}/1.2 \times 10^{-9} = 838.33$.

Solution: $Re = 1 \times 1/1.006 \times 10^{-6} = 0.994 \times 10^6$. Flow is turbulent.

The average value of Sherwood number is given by

$$Sh = 0.0228 \times Re^{0.8} \times Sc^{0.333} = 17052 = h_m \times L/D$$

$$\text{Solving } h_m = 20.46 \times 10^{-6} \text{ m/s}$$

$$m = h_m \times A \times (\rho_{a1} - \rho_{a2}), \text{ as } \rho_{a2} = 0.0$$

$$= 20.46 \times 10^{-6} \times 1 \times 380 = 7.776 \times 10^{-3} \text{ kg/s m}^2 \text{ or } 28/\text{kg/hr/m}^2.$$

Example 14.29: A square plate of side 1 m has one of its sides coated with naphthalene and stands vertically in still air at 53°C. Determine diffusion rate. $M = 128$, $D = 6.11 \times 10^{-6} \text{ m}^2/\text{s}$, kinematic viscosity = 18.8×10^{-6} , $Sc = 3.077$. The vapour pressure at 53°C is $1.333 \times 10^{-3} \text{ bar}$. $R_v = 8315/128 = 64.91 \text{ J/kg K}$, $T = 53 + 273 = 326 \text{ K}$.

Solution: Naphthalene diffusing into the air makes the air denser near the surface and creates a downward flow. This problem hence can be treated as a natural convection problem. For mass transfer the equations applicable will be similar to those in natural convection heat transfer. Grashof number for mass transfer is given by

$$Gr_m = \{g \times (\rho_w - \rho_\infty) \times L^3\} / \{(\rho_\infty \times \nu^2)\}$$

ρ_w = density of the mixture at the wall surface.

ρ_∞ = density of the mixture well removed from the surface.

Density of the mixture near the surface = density of air + density of vapour

$$= \{P_a/(R_a \times T)\} + \{P_v/(R_v \times T)\}$$

$$P_a = 1.013 \times 10^5 \text{ N/m}^2, P_v = 1.333 \times 10^2 \text{ N/m}^2,$$

$$\begin{aligned} \rho_w &= \{(1.013 - 0.001333) \times 10^5 / (326 \times 287)\} + \{0.001333 \times 10^5 / (326 \times 64.91)\} \\ &= 1.0812 + 6.299 \times 10^{-3} = 1.0875744 \text{ kg/m}^3 \end{aligned}$$

$$\rho_\infty = \{1.013 + 105 / (326 \times 287)\} = 1.0827045 \text{ kg/m}^3$$

$$Gr_m = \{9.81 \times (1.0875744 - 1.827045) \times 1^3\} / \{1.0827045 \times (18.8 \times 10^{-6})^2\}$$

$$= 0.12484 \times 10^9$$

The equation applicable for this range is

$$Sh = 0.555 \times (Gr_m \times Sc)^{0.25}$$

$$= 0.555 \times (0.12484 \times 10^9 \times 3.077)^{0.25} = 77.7$$

$$h_m = 77.7 \times 6.11 \times 10^{-6} / 1.0 = 0.4747 \times 10^{-3} \text{ m/s}$$

$$m = 0.4747 \times 10^{-3} \times 6.29 \times 10^{-3} = 2.9861 \times 10^{-6} \text{ kg/s m}^2.$$

Example 14.30: Derive an expression for the surface temperature of water in evaporative cooling.

Solution: In evaporative cooling unsaturated air flowing over a wetted surface causes evaporation of water so that the air will become saturated. Part of the sensible heat of air is utilised for the enthalpy of evaporation and the air will get cooled in the process. Energy balance for the process yields.

Heat transferred to the film of water by convection = enthalpy of evaporation of water

$$h \times (T_\infty - T_s) = h_{fg} \times h_m \times (\rho_s - \rho_\infty)$$

where ρ_s and ρ_∞ are the mass concentrations of water vapour at the film surface and in the free steam.

$$T_\infty - T_s = \{(h_{fg} \times h_m) / h\} \times (\rho_s - \rho_\infty), \text{ as } \rho = P / (R \times T),$$

$$T_\infty - T_s = \{(h_{fg} \times h_m) / (h \times R)\} \times \{(P_s / T_s) - (P_\infty / T_\infty)\}$$

$$h_m / h = \rho \times c \times Le^{0.6667} \text{ and } Le = \alpha / D = Sc / Pr,$$

$$\rho_a \times T = P_a / R_a$$

$$T_\infty - T_s = \{(h_{fg} \times R_a) / (R_w \times P_a \times c \times Le^{0.6667})\} \times \{P_s - P_\infty\}$$

P_s and P_∞ are obtained from the temperature values. A trial solution is necessary when moist air is involved. If dry air is used P_∞ will be zero and direct solution for T_s is obtained.

Example 14.31: The outlet of a desert cooler is 28°C and 80% RH. In the inlet air the partial pressure of water vapour is 0.18 bar. Estimate the outside air temperature and the relative humidity.

Solution: $D = 27.12 \times 10^{-6} \text{ m}^2/\text{s}$, $\alpha = 21.42 \times 10^{-6} \text{ m}^2/\text{s}$.

Saturation pressure of water at 28°C, $P_s = 0.03782 \text{ bar}$.

The equation applicable is

$$T_\infty - T_s = \{(h_{fg} \times R_a) / (R_w \times \rho \times c \times Le^{0.6667})\} \times \{P_s - P_\infty\}$$

$$R_a / R_w = M_w / M_a = 18 / 28.9, h_{fg} = 2435 \times 10^3 \text{ J/kg}$$

$$Le = \alpha / D = 21.42 \times 10^{-6} / 27.12 \times 10^{-6} = 0.79, \rho = 1.205 \text{ kg/m}^3,$$

$$T_\infty = 28 + \{18 \times 2435 \times 10^3\} \times \{0.03782 - 0.018\} /$$

$$\{28.9 \times 1005 \times 1.205 \times (0.79)^{0.6667}\} = 46^\circ\text{C}$$

The saturation pressure at 46°C is 0.1009 bar. At the inlet

Relative Humidity = $0.018 / 0.1009 = 0.1784$ or 17.84%.

Example 14.32: The convective heat transfer coefficient on a body exposed to air flow has a value of 240 W/m² K. If a film of water is maintained on the surface under similar conditions of flow determine the value of convective mass transfer coefficient.

Solution: $D = 112 \times 10^{-6} \text{ m}^2/\text{s}$, $\alpha = 21.4 \times 10^{-6} \text{ m}^2/\text{s}$, $\rho = 1.205 \text{ kg/m}^3$.

$$(h/h_m) = \rho \times c \times Le^{0.6667}, Le = \alpha / D = 0.191$$

$$h_m = 240 / (1.205 \times 1005 \times 0.191^{0.6667}) = 0.5974 \text{ m/s}.$$

Example 14.33: A one half scale model tested under heat transfer conditions is used to predict the mass transfer performance of an object the plastic coating on which is to be dried. In the heat transfer test the model was maintained at 100°C with air flow at 0°C.

The velocity of flow was 120 m/s. The temperature at a point near the model was measured as 80°C.

In the drying process both the object and the air will be at 50°C and flow velocity is to be 60 m/s. In both model testing and drying the air pressure will be 1 bar. The molecular weight of the plastic is 82 and the vapour pressure of the plastic at 50°C is 0.0323 bar. The diffusivity of the vapour in air is $26 \times 10^{-6} \text{ m}^2/\text{s}$. The freestream does not contain any vapour. At 50°C $\alpha = 25.72 \times 10^{-6} \text{ m}^2/\text{s}$. $\rho = 1.093 \text{ kg/m}^3$.

(i) Estimate the partial pressure of the vapor and the concentration that can be expected at the corresponding point on the object where the temperature was measured on the model.

(ii) If the convection heat transfer coefficient in the model test was $20 \text{ W/m}^2 \text{ K}$ estimate mass flux in the drying process.

Solution: The mean temperature in both case is 50°C. The product of length and velocity is also the same in both cases. Hence the value of Reynolds number will be same. So the temperature and concentration profiles will be similar. The concentration and partial pressure will be proportional to each other as the temperature is the same.

$$\frac{\{(P_{ay} - P_{as})/(P_{a\infty} - P_{as})\}}{\{(P_{ay} - 0.0323)/(0.0 - 0.0323)\}} = \frac{\{(T - T_s)/(T_\infty - T_s)\}}{\{(80 - 100)/(0.0 - 100)\}}$$

Solving, $P_{ay} = 0.02584 \text{ bar.}$

Mass concentration

$$P/(R \times T) = (82 \times 0.02584 \times 10^5)/(8315 \times 323) = 0.07889 \text{ kg.m}^3$$

Mole concentration = $0.07889/82 = 0.9621 \times 10^{-3} \text{ kg mol/m}^3$.

$$h/h_m = \rho \times c \times Le^{0.6667} = 1090.63, h_m = (20/1090.63) = 0.018338 \text{ m/s}$$

$$m = h_m \times A \times \rho_{as} = 0.018338 \times 0.0323 \times 10^5 \times 82/8315 = 0.5841 \text{ kg/m}^2.$$

Example 14.34: The partial pressure of diffusing vapour over a surface under steady state of mass transfer was measured and plotted against height above the surface. At the surface the partial pressure was 0.1 bar and in the free stream the partial pressure was 0.02 bar. The tangent to the concentration profile at the surface meets the x-axis at 2.2 mm. Determine the convective mass transfer coefficient $D = 28.8 \times 10^{-6} \text{ m}^2/\text{s}$.

Solution: The boundary layer concept leads to the condition that

mass convected = mass diffusion at the interface

$$\text{mass convected} = h_{mx} \times (\rho_{as} - \rho_{a\infty})$$

$$\text{mass diffusing the surface} = -D_{ab}(d\rho_a/dy)_{y=0}$$

$$h_{mx} \times (\rho_{as} - \rho_{a\infty}) = -D_{ab}(d\rho_a/dy)_{y=0}$$

As $\rho = P/(R \times T), d\rho = (1/R \times T)dP,$

$$h_{mx} \times (P_{as} - P_{a\infty}) = -D_{ab}(dP_a/dy)_{y=0}$$

$$h_{mx} = -D_{ab}(dP_a/dy)_{y=0}/(P_{as} - P_{a\infty})$$

$$(dP_a/dy)_{y=0} = (0.0 - 0.1)/(0.0022 - 0.0) = -45.45 \text{ bar/m}$$

$$h_m = (-28.8 \times 10^{-3} \times -45.45)/(0.1 - 0.02) = 0.016362 \text{ m/s.}$$

EXERCISE PROBLEMS

- 14.01** Two ducts are carrying a mixture of Nitrogen and Ammonia one having ammonia 80% and N_2 20% and the other 80% N_2 and 20% ammonia at the same pressure and temperature. These are connected by a pipe of 10 cm dia and 2 m length with no pressure difference between the ends. The total pressure is 1 bar. Determine the diffusion rates.
- 14.02** Determine the diffusing rate of benzene standing in a glass jar of 5 cm dia. The air column over it has a height of 60 cm. The air column is stationary. The pressure and temperature are 1 bar and 0°C . The partial pressure of benzene at the interface is 0.01 bar.
- 14.03** Determine the diffusion rate of water from the floor in still air in a room at 30°C . The air is still upto a height of 2 m and the RH at this height is 30%.
- 14.04** A thin layer of water is there in a circular pan of 20 cm dia and 10 cm deep. The top is exposed to air at 30°C and 50% RH. Determine the diffusion rate.
- 14.05** A wet bulb thermometer when exposed to the flow of dry air at 1 bar reads 30°C . Determine the dry bulb temperature.
- 14.06** Determine the diffusion rate in a lake when wind is blowing at 20 kmph over the surface. The air temperature is 30°C and the relative humidity is 40%. The total pressure is 1 bar. The lake is 1 km wide along the flow.
- 14.07** Dry air at 20°C and atmospheric pressure flows inside a 100 mm duct, the walls of which are wetted constantly to maintain a film of water. The flow velocity is 5 m/s. Calculate the water concentration at the exit of the pipe if it is 4 m long.
- 14.08** Estimate the values of diffusivities for the following pairs of gases (i) N_2 and CO_2 (ii) CO_2 and H_2 , (iii) H_2O and O_2 (iv) Cl_2 and CO_2 . The molecular volumes are (i) hydrogen-15.6, (iii) CO_2 -34 (iv) H_2 -15.6 (v) water-18.8 (v) Cl_2 -24.6 (refer problem 14.11).
- 14.09** Estimate the values of diffusivities for the liquid pairs given below: (i) ethanol if dilute solution in water, $M_b = 18$, $\mu = 1.5 = 1.4 \times 10^{-3}$ kg/ms, $\nu = 0.0592$. (ii) methanol in dilute solution of water, $M_b = 18$, $\mu = 1.9 = 1.4 \times 10^{-3}$ kg/ms, $\nu = 0.037$. (Refer problem 14.13).
- 14.10** Hydrogen diffuses through a stagnant gas mixture of nitrogen and oxygen in the ratio 77 : 23 by volume. The total pressure is 1 bar and the temperature is 10°C . The gas film is 0.5 mm thick. The concentration of hydrogen at the surfaces of the gas film are 10% and 5% by volume. Determine the diffusion rate of hydrogen. $D_{h_2-o_2} = 77.5 \times 10^{-6}$ m²/s, $D_{h_2-n_2} = 73.89 \times 10^{-6}$ m²/s (Refer problem 14.17)
- 14.11** Hydrogen diffuses through a stagnant gas mixture of nitrogen and methane in the ratio 50 : 50 by volume. The total pressure is 1 bar and the temperature is 10°C . The gas film is 1.5 mm thick. The concentration of hydrogen at the surfaces of the gas film are 11% and 3% by volume. Determine the diffusion rate of hydrogen. $D_{h_2-ch_4} = 62.5 \times 10^{-6}$ m²/s, $D_{h_2-n_2} = 73.89 \times 10^{-6}$ m²/s.
- 14.12** A cylinder made of naphthalene is 600 mm long and its diameter is 75 mm. Pure CO_2 at 100°C flows across it at a velocity of 6 m/s. The total pressure is 1 bar. At this condition the partial pressure of vapour at the interface is 1330 Pa. $D = 5.15 \times 10^{-6}$ m²/s. Determine the diffusion rate.
- 14.13** A mixture of oxygen and CO_2 in a container is at 27°C . The partial pressure of oxygen is 0.8 bar and that of CO_2 is 1.2 bar. Calculate the molar and mass concentration of each. Also calculate the density of the mixture.
- 14.14** A spherical steel tank of 120 mm dia has a wall thickness of 2.2 mm and hydrogen gas is stored in the tank at 4.6 bar. Determine the initial rate of mass leakage from the tank caused by the diffusion of hydrogen. Also calculate the rate of pressure drop at this condition. Diffusion coefficient is $D = 0.26 \times 10^{-12}$ m²/s. At the inside surface, the mass concentration of hydrogen is 3 kg/m³ and it is zero at the outside surface.

- 14.15.** The process of diffusion through a membrane is used to separate helium from a gas mixture. The membrane is 0.8 mm thick. The mass concentration of helium at the inner and outer surface of the membrane are 0.08 kg/m^3 and 0.02 kg/m^3 . Diffusion coefficient = $10^{-9} \text{ m}^2/\text{s}$. Calculate the diffusion rate of helium/ m^2 .
- 14.16** A rubber membrane of 0.6 mm thickness separates two chambers containing oxygen, one at 2.2 bar and the other as 1.1 bar. The system is at 25°C . Determine the diffusion rate of oxygen through the membrane $D = 0.21 \times 10^9 \text{ m}^2/\text{s}$.
- 14.17** The humidity level inside a room is such that the water vapour pressure is 0.03 bar. On the outside the air is dry. Plaster board of 10 mm thickness separates the inside from outside. The diffusion coefficient for water vapour into the wall material is about $10^{-9} \text{ m}^2/\text{s}$. The solubility of water vapour in the wall material is 0.142 kg/m^3 for bar of water vapour pressure. Determine the diffusion rate.
- 14.18** Helium gas at a pressure of 6.2 bar is stored in a fused silica container of spherical shape of 0.21 m diameter, the wall thickness being 2.6 mm. Calculate the mass of helium lost by diffusion. $D = 0.04 \times 10^{-12} \text{ m}^2/\text{s}$. The solubility of helium in the material = $1.8 \times 10^{-3} \text{ kg/m}^3$ bar.
- 14.19** In problem 14.18 if the shape of the container is a long cylinder of the same diameter, determine the loss for 1 m length.
- 14.20** Two large tanks containing oxygen and nitrogen at 1 bar and 25°C are connected by a pipe of 0.05 m *ID* and 1.2 m long. The partial pressure of oxygen at one end of the tube is 0.2 bar and it is 0.1 bar at the other end. Determine the diffusion rate of O_2 through the tube assuming equimolar counter diffusion. 0.05 *MID* and $D = 0.18 \times 10^{-4} \text{ m}^2/\text{s}$.
- 14.21** The surface of a thick steel plate is packed with carbon and is heated to 1000°C and maintained at this temperature to increase the concentration. The carbon concentration at the surface of the plate is maintained at 30 kg/m^3 . Originally the carbon concentration in the plate is uniform at 8 kg/m^3 . Calculate the time required for the concentration to go upto 16 kg/m^3 at a depth of 1 mm. $D = 0.26 \times 10^{-12} \text{ m}^2/\text{s}$.
- 14.22** Atmospheric air at 26°C and 50% RH flows at a velocity of 20 m/s over a porous plate saturated with water also at 26°C . The plate measures $1\text{m} \times 1\text{m}$. Estimate the amount of water diffusing into the air stream. Use data book for property values.
- 14.23** The vapour pressure of naphthalene at 100°C is 0.02666 bar. Air at 100°C flows over a plate coated with naphthalene at a velocity of 6 m/s. The mass diffusivity has a value of $8.258 \times 10^{-6} \text{ m}^2/\text{s}$. Gas constant for the vapour = 64.91 J/kg K . The free stream air has no trace of naphthalene. Determine the diffusion flux.
- 14.24** Consider the water surface of a swimming pool of square shape of 10 m side as a flat plate. Assuming still air conditions over the water and both water and air to be at 25°C , determine the rate of diffusion of water. $RH = 40\%$.
- 14.25** If in problem 14.24 air flows parallel to the surface at an average velocity of 4 m/s, determine the rate of diffusion of water.
- 14.26** The heat transfer correlation for a given convection situation was obtained as
- $$Nu = 0.43 Re^{0.8} Pr^{0.4}$$
- Dry air at 30°C is passed over a similar object of 1 m characteristic length at 10 m/s. Determine the evaporation rate if at the liquid surface the mass concentration is 0.0077 kg/m^3 .
- 14.27** A horizontal cylinder of 90 mm dia and 1 m length made of naphthalene is kept in still air at 53°C . Estimate the weight loss in 60 minutes. The partial pressure of naphthalene at this temperature is $1.333 \times 10^2 \text{ Pa}$. $M = 128$, $D = 6.11 \times 10^{-6} \text{ m}^2/\text{s}$, $Sc = 3.077$.
- 14.28** A pond of $12 \text{ m} \times 24 \text{ m}$ sides is full of water. Air at 25°C and 50% *RH* flows along the 12 m side at a velocity of 2 m/s. Determine the evaporation loss for hour, $D = 26 \times 10^{-6} \text{ m}^2/\text{s}$, $Sc = 0.62$.
- 14.29** Heat transfer studies in flow of air over a smooth body gave the value of convective heat transfer coefficient as $17 \text{ W/m}^2 \text{ K}$. Determine the value of convective mass transfer coefficient under similar flow conditions $D = 25.8 \times 10^{-6} \text{ m}^2/\text{s}$, $Pr = 0.688$.
 $\rho = 0.946 \text{ kg}/\mu^3$, $\nu = 23.13 \times 10^{-6} \text{ m}^2/\text{s}$, $\alpha = 33.64 \times 10^{-6} \text{ m}^2/\text{s}$.

FILL IN THE BLANKS

1. Thermal conductivity of materials (k) generally varies with _____ .
(Temperature)
2. With increase in temperature thermal conductivity of insulators will _____ .
(increase)
3. With increase in temperature thermal conductivity of good conductors will _____ .
(decrease)
4. With increase in temperature thermal conductivity of many liquids will _____ .
(decrease)
5. With increase in temperature thermal conductivity of water and glycerine will _____ .
(increase)
6. With increase in temperature thermal conductivity of gases in general will _____ .
(increase)
7. Heat conduction in insulators is mainly by _____ . (lattice vibration)
8. Heat conduction in good conductors is largely by _____ . (free electron flow)
9. In the SI system, the unit for thermal conductivity is _____ . (W/mK)
10. The unit for thermal resistance in the SI system is _____ . (K/W)
11. The unit for convective heat transfer coefficient in the SI system is _____ .
(W/m²K)
12. Convection resistance over a given surface area A is _____ . (1/hA)
13. Conduction resistance due to a plane wall of thickness L of material with thermal conductivity k and area A is _____ . (L/kA)
14. For a given amount of heat conducted, higher the value of thermal conductivity _____ will be the temperature difference. (lower)
15. If heat flow across a plane in a given slab should increase the temperature gradient at the plane should _____ . (increase)
16. For a given material and temperature drop, if heat conducted is to be reduced the thickness should be _____ . (increased)
17. In steady conduction for a material whose thermal conductivity increases with increase in temperature, the temperature gradient at the high temperature side will be _____ . (lower)
18. In steady conduction for a material whose thermal conductivity decreases with increase in temperature, the temperature gradient at the low temperature side will be _____ . (lower)
19. The temperature profile in a plane wall under steady conduction will be a straight line if thermal conductivity is _____ . (constant)
20. In the case of a hollow cylinder, the temperature profile along the radius will be _____ . (logarithmic)

21. In the case of a hollow sphere, the temperature profile along the radius will be a _____ . (2nd degree curve)
22. When conductivity varies linearly with temperature the conductivity at the _____ can be used in the calculation of heat flow using the general equations. (mean temperature)
23. In radial heat conduction in a hollow sphere/cylinder, the temperature gradient at the outer surface will be _____ compared to the gradient at the inner surface. (lower)
24. The pure metal whose thermal conductivity is highest at atmospheric temperatures is _____. (Silver)
25. For super insulation, _____ form will be suitable. (powder)
26. Thermal diffusivity of a material is indicative of _____ under transient conditions. (heat penetration)
27. When multilayers of insulation is used over a sphere, for a given volume, the material with higher thermal conductivity should be applied _____ the surface. (nearer)
28. In a conducting slab with uniform heat generation the temperature variation along the thickness is _____. (parabolic)
29. In a heat conducting slab of given material, with uniform heat generation the difference in temperature between the center plane and the surface is directly proportional to _____ and _____. (square of thickness, heat generation rate)
30. In a heat conducting slab of given thickness, with uniform heat generation the difference in temperature between the center plane and surface is _____ proportional to the thermal conductivity of the material. (inversely)
31. In a heat conducting sphere with uniform heat generation the difference in temperature between the center and surface is directly proportional to _____ and _____ and inversely proportional to _____. (heat generation rate, square of outer radius, conductivity)
32. In heat generation, surface convection also controls the _____ temperature. (center)
33. For a given heat flow, a fin of rectangular section will require _____ volume as compared to a fin of triangular section with the same base thickness. (more)
34. With the same cross section two fins each of length L will dissipate _____ heat compared to a single fin of length $2L$. (more)
35. To reduce error in temperature measurement of flowing fluids, the thermometer well length should be _____. (longer)
36. Fins may be modeled as _____ system. (conduction-convection)
37. For given fin volume as the length of the fin is decreased the heat flow will _____ and then _____. (increase, decrease)
38. The ratio of heat flow by fin to the heat flow on the bare base areas is called _____ of the fin. (effectiveness)
39. Fin effectiveness is generally _____ than one. (greater)
40. For a given volume tapering fin will dissipate _____ heat as compared to constant area fin. (more)
41. Along the length of a constant area fin the temperature gradient _____. (increases)

42. In fins the temperature gradient is highest at the _____ . (tip)
43. For a given fin configuration the heat flow is proportional to _____ power of h and k . (0.5)
44. In electronic components Gold is used to improve fin efficiency by reducing _____ resistance. (contact)
45. In transient conduction lumped capacity model can be used if _____. ($Bi < 0.1$)
46. For lumped parameter model the surface resistance should be _____ compared to the internal resistance. (higher)
47. For lumped parameter model volume/Area ratio should be _____. (small)
48. For lumped parameter model heat capacity of the piece should be _____. (low)
49. For a given thermocouple if the response time should be shortened then _____ should be increased. (convection coefficient)
50. For lumped parameter model to be used the temperature gradient within the body should be _____. (very small)
51. In transient conduction for the use of semi infinite solid model, the heat penetration depth should be _____ over the period considered. (small)
52. For the adoption of semi infinite solid model, the temperature at a depth should not have _____ in the time considered. (increased)
53. A thick concrete slab exposed to flames on one side can be analysed using _____ model. (semi infinite solid)
54. For the same characteristic dimension, the shape of the object for shorter heating time is _____. (sphere)
55. When Schmidt method is used for temperature calculations in transient conduction the choice of nodal thickness x and time interval $\Delta\tau$ should satisfy the condition.
($\Delta x^2/\alpha\Delta\tau = 2$)
56. In transient conduction, increasing and maintaining a surface at a temperature is equivalent to Biot number being equal to _____. (infinite)
57. The electrical analogue element for the product of mass and specific heat is _____. (condenser)
58. In convection, temperature and velocity gradients vary only in the _____. (boundary layer)
59. Along the thickness in the boundary layer velocity and temperature gradients _____. (decrease)
60. The thickness of the hydrodynamic boundary layer is defined as the distance from the surface at which velocity _____ is nearly zero. (gradient)
61. In laminar flow, the average convection coefficient along the length will _____. (decrease)
62. In laminar flow the velocity at a location with respect to time is _____. (constant)
63. In turbulent flow the velocity at a point varies randomly about a _____ velocity. (mean)
64. In laminar flow momentum and heat transfer is mainly at the _____ level. (molecular)

65. In laminar flow there is no _____ mixing between layers. (macroscopic)
66. In turbulent flow momentum and heat transfer is due to _____ mixing between layers. (macroscopic)
67. If thermal diffusivity equals momentum diffusivity, then the ratio of thermal and velocity boundary layer thickness will be equal to _____ . (one)
68. The ratio of momentum diffusivity to thermal diffusivity is called _____ number. (Prandtl)
69. Flow transition is generally judged by _____ number. (Reynolds)
70. The thickness of hydrodynamic boundary layer at distance x in laminar flow over a plate is _____ . $\left(\frac{5x}{Re^{0.5}}\right)$
71. The thickness of hydrodynamic boundary layer in flow over plate in turbulent flow is proportional to _____ . $(Re_x^{-0.2})$
72. In liquid metal flow over a plate, thermal boundary layer will be _____ than hydrodynamic boundary layer. (thicker)
73. In viscous oil flow thermal boundary layer will be _____ than hydrodynamic boundary layer. (thinner)
74. In laminar flow over flat plates the convection coefficient will be proportional to the distance raised to the power of _____ . (-0.5)
75. In turbulent flow over flat plate the convection coefficient will be proportional to the distance raised to the power _____ . (-0.2)
76. In flow over a flat plate the temperature and velocity gradients above the boundary layer is _____ . (zero)
77. In the case of flow over flat plate the Reynolds number along the length will _____ continuously. (increase)
78. The value of transition Reynolds number in the case of flow over flat plate is _____ . (5×10^5)
79. Reynolds number expressed in terms of mass flux G in pipe flow is _____ . $\left(\frac{4Gd}{\mu}\right)$
80. In pipe flow the analogy method of convection analysis relates _____ number to friction factor. (Stanton)
81. In flow over a bank of tubes effective way to increase heat transfer rate is to _____ the pitch along the flow direction. (reduce)
82. In flow over spheres, and cylinders the characteristic length used in the calculation of dimensionless number is _____ . (diameter)
83. Hydraulic mean diameter is defined as _____ . $(4A/P)$
84. In flow through non circular sections _____ replaces diameter. (Hydraulic mean diameter)
85. In flow through pipes the type of flow is decided by the conditions at _____ . (entry)
86. In fully developed laminar flow through pipes the convection coefficient is _____ . (constant)

87. In pipe flow, convection coefficient at entrance region will be _____ compared to the fully developed region. (higher)
88. In pipe flow under constant wall heat flux conditions the convection coefficient will be _____ as compared to constant wall temperature condition. (higher)
89. In fully developed flow in a pipe under constant heat flux condition the temperature difference between the wall and the fluid will be _____ . (constant)
90. In turbulent flow in rough pipes the Stanton number is related to _____ . (friction factor)
91. In the case of _____ the flow in pipes can be considered as slug flow. (liquid metals)
92. As compared to forced convection the additional force encountered in free convection analysis is _____ . (buoyant force)
93. At constant pressure the value of coefficient of cubical expansion for gases is _____. ($1/T(K)$)
94. The velocity in the case of free convection boundary layer is zero at _____. (wall and boundary layer thickness)
95. The velocity variation in the natural convection boundary layer can be expressed by _____ order equation. (third)
96. The temperature variation in free convection in boundary layer can be expressed by _____ order equation. (second)
97. The dimensionless number which replaces the Reynolds number in the case of free convection is _____. (Grashof number)
98. The average value of convection coefficient upto length L in free convection is _____ . $\left(\frac{4}{3} h_L\right)$
99. Reyleigh number is the product of _____ Number and _____ number. (Grashof, Prandtl)
100. In free convection the average value of h will be _____ for short vertical plate as compared to a longer vertical plate. (higher)
101. Graetz number is defined as the product of _____. (Reynolds, Prandtl and D/L)
102. Peclet number is the product of _____ number and _____ number. (Reynolds, Prandtl)
103. In cooling of unattended equipments _____ convection is more suitable. (free)
104. In some cases where both free convection and forced convection may contribute to heat transfer, the criterion for the determination of predominance of either is the value of _____. (Gr/Re^2)
105. In boiling excess temperature is the difference between _____ and _____ temperatures. (surface, saturation)
106. In film boiling main mode of heat transfer is _____. (radiation)
107. In boiling surface tension is an important parameter due to _____. (bubble wettability)
108. In nucleate boiling at higher heat flux levels convection coefficient is proportional to the _____ power of excess temperature. (third)

109. In boiling the excess temperature at which maximum heat flux occurs is about _____ . (15°C)
110. The shape of the heating surface _____ affect boiling heat transfer. (does not)
111. The maximum heat flux in boiling of a fluid varies with the pressure ratio _____. (P/P_{critical})
112. In flow boiling h is maximum at _____ flow. (annular)
113. Maximum heat flux without damage can be sustained only in _____ boiling. (nucleate)
114. Minimum heat flux occurs in stable _____ boiling. (film)
115. In film boiling a _____ exists between surface and liquid. (vapour film)
116. Flow boiling is encountered in _____ water tubes. (Boiler)
117. In film boiling excess temperature will be _____. (high)
118. The important parameter which controls heat flux in boiling is _____. (excess temperature)
119. Temperature variation is assumed _____ in condensate film. (linear)
120. Velocity in condensate film varies along the film thickness as _____ of thickness. (second order)
121. Average value of convection coefficient in condensation up to distance L is _____. $\{(4/3)h_L\}$
122. In film wise condensation the value of h will be _____ compared to dropwise condensation. (lower)
123. The surface should be _____ for dropwise condensation. (non wetting)
124. As the vapour is in direct contact with more cooler surface the convection coefficient is _____ in dropwise condensation. (higher)
125. The additional force encountered in condensation boundary layer analysis is _____. (gravity force)
126. In condensation ' h ' depends on the _____ power of conductivity. (0.75)
127. In condensation ' h ' depends on the _____ power of density. (0.5)
128. In condensation ' h ' depends on the _____ power of latent heat. (0.25)
129. Condensation Reynolds number is defined in terms of mass flow G per unit width as _____. ($4G/\mu$)
130. In condensation, convection coefficient over a single tube is _____ compared to condensation over a row of tubes. (higher)
131. Critical film Reynolds number in condensation is _____. (1800)
132. In freezing the conduction resistance is due to _____. (ice layer)
133. In the regenerator of a gas turbine the _____ will be nearly equal. (heat capacities)
134. The value U_o will be _____ compared to value U_i in heat exchangers. (lower)
135. The product $U_o A_o$ will equal _____. ($U_i A_i$)
136. During the life of heat exchanger the performance will deteriorate due to _____. (fouling)
137. In a shell and tube arrangement, the fluid that can be said to be mixed is the _____ side fluid. (shell side)

138. In a shell and tube arrangement, the fluid that can be said to be unmixed is the _____ side fluid. (tube side)
139. A heat exchanger in which superheated fluid is cooled, condensed and undercooled, using a cold fluid, the location at which minimum temperature difference occurs is called _____. (pinch point)
140. NTU is defined as _____. (UA/C_{min})
141. Capacity ratio when cold fluid is having lower heat capacity is defined in terms of terminal temperatures as _____. ($(T_{h1} - T_{h2})/(T_{c2} - T_{c1})$)
142. The three main flow arrangement in heat exchangers are _____ flow. (Parallel, Counter, Cross)
143. Compact heat exchangers use _____ tube bundles. (finned)
144. Thermodynamically the flow direction that will give minimum loss of available energy is _____. (counter flow)
145. The flow direction does not affect the performance in the case of _____ and _____. (condensers, evaporators)
146. Fouling resistance is due to _____ of the heating surface during operation. (deterioration)
147. Shell and tube arrangement is generally adopted because single tube type will be _____. (too long)
148. The heat capacity of the fluid stream is the product of _____ and _____. (mass flow rate, specific heat)
149. If heat capacities are equal in a counter flow exchanger the slope of the hot and cold fluid temperature lines at any point will be _____. (the same)
150. If heat capacities are equal in a parallel flow exchanger the slope of the temperature lines at any point of flow will be _____ but _____. (equal, of opposite sign)
151. LMTD method of analysis is suitable when _____ are known. (all four temperatures)
152. When inlet flow rates and temperatures for a heat exchanger are specified the easier method of analysis _____. (NTU method)
153. For the performance evaluation over the whole operating range of a heat exchanger _____ method is more suitable. (effectiveness-NTU)
154. When heat capacity ratio is zero, effectiveness is equal to _____. ($1 - e^{-NTU}$)
155. For a condenser/evaporator the effectiveness is _____. ($1 - e^{-NTU}$)
156. If heat capacities are equal for the counter flow type the effectiveness is _____. ($(N/(N + 1) + 1)$)
157. If heat capacities are equal for parallel flow type the effectiveness is _____. ($(1 - e^{-2N})/2$)
158. Effectiveness of a heat exchanger is the ratio of _____ and _____. (actual heat flow/max possible heat flow)
159. For a given exchanger if the heat capacity ratio (C_{min}/C_{max}) increases the effectiveness will _____. (decrease)
160. When effectiveness increases the total heat flow _____ increase. (need not)

161. Storage type heat exchanger is also called _____ heat exchanger.
(regenerative)
162. Air preheaters in large thermal plants use _____ of heat exchangers.
(regenerative type)
163. The overall heat transfer coefficient will generally be minimum in the case of _____ exchangers.
(gas to gas)
164. In a condenser the controlling resistance will be on the _____ side. (cold/fluid)
165. In an evaporator the controlling resistance will be on the _____ side. (hot fluid)
166. In a gas to liquid heat exchangers the controlling resistance will be on the _____ side.
(gas)
167. In the various flow arrangements the one that may require largest area will be _____.
(parallel flow)
168. The wave length range of thermal radiation is _____ .
(1 to 100 μm)
169. The wave length range for visual radiation is _____ .
(0.3 to 0.7 μm)
170. For a black body _____ is maximum. (emissive power)
171. The radiant energy emitted per unit area and unit wave length called _____ .
(monochromatic emissive power)
172. The equality of emissivity and absorptivity is postulated by _____ law.
(Kirchhoff)
173. The statement that “the product of the temperature and the wavelength at which the monochromatic emissive power is maximum is a constant” is due to _____ law.
(Wien’s displacement)
174. At any temperature as wavelength increases the monochromatic emissive power _____.
(increases and then decrease)
175. The ratio of emissive power of a body to the emissive power of a black body is defined as _____ .
(emissivity)
176. Radiation from a small opening from an isothermal enclosure can be considered as _____.
(black)
177. The relationship between emissive power E and intensity I is _____ . ($E = \pi I$)
178. The radiant energy per unit solid angle in a direction is known as _____ of radiation.
(intensity)
179. The emissivity is constant in the case of a _____ (gray surface)
180. Gases are generally _____ radiators. (band)
181. Sun’s radiation is mostly at _____ wavelengths. (short, 0-4 μm)
182. Radiation at atmospheric temperature is at _____ wave lengths. (longer)
183. Glasses generally transmit _____ wavelength radiation. (short)
184. Green house effect is due to _____ short wavelength radiation and _____ long wavelength radiation.
(transmitting, cutting off)
185. For real surfaces, the monochromatic emissive power does not vary in a _____ .
(regular pattern)
186. The sum of emissivity, and reflectivity will be equal to _____ in the case of opaque surfaces.
(one)

187. For an opaque surface high reflectivity means _____ emissivity. (low)
188. For selective surface the emissivity is dependent on _____ and _____ of radiation. (temperature, wavelength)
189. Solar collector surfaces should have high absorptivity for _____ wavelength radiation and low emissivity at _____ temperatures. (short, low)
190. In the case of solids/liquids radiation is a _____ phenomenon. (surface)
191. CO_2 and water vapour are _____ radiators. (band)
192. In the case of gases radiation is a _____ phenomenon. (volume)
193. Diatomic gases are _____ for radiation. (transparent)
194. The emissivity of a gas body depend on _____, _____, _____. (pressure, characteristic length and temperature)
195. Beers law states that transmissivity of a gas body of length L with transmission coefficient a is _____. ($1 - e^{-aL}$)
196. Most of the real surfaces have emissivity _____ with angle from normal. (varying)
197. Insulating materials have _____ emissivity at angles near horizontal. (low)
198. Conducting materials have high emissivity at angles _____ horizontal. (near)
199. The total radiant energy leaving a gray surface is known as _____. (Radiosity)
200. The total radiant energy incident on a gray surface is known as _____. (irradiation)
201. Radiosity include emissive power and _____. (reflected radiation)
202. Irradiation includes radiation from other surfaces and _____. (reflected radiation by them)
203. The fraction of radiation emanating from surface 1 incident on surface 2 is called _____. (shape factor $F_{1,2}$)
204. Shape factor will _____ when surfaces are moved closer. (increase)
205. Shape factor will _____ if the areas of the participating planes increase. (increase)
206. Shape factor is _____ of surface properties. (independent)
207. Shape factor of body with respect to a fully enclosing body is _____. (one)
208. Concave surfaces will have a shape factor with _____. (themselves)
209. The shape factor of a hemisphere to itself is _____. (0.5)
210. Shape factor of a hemispherical surface to its base is _____. (0.5)
211. Shape factor of the base of a cone to the curved surface is _____. (one)
212. If n radiation shields of equal emissivity as the parallel large planes are used the heat flow will be reduced _____ times. ($1/n + 1$)
213. Radiation shield should have _____ reflectivity. (high)
214. Surface resistance is due to the _____ of the surface. (emissivity)
215. Space resistance between two surfaces is due to the _____. (shape factor)
216. Reciprocity theorem for shape factor is _____. ($A_1 F_{1-2} = A_2 F_{2-1}$)

217. Well insulated surfaces enclosing surfaces exchanging heat by radiation are called _____ . (Non absorbing reradiating surfaces)
218. Reradiating enclosure _____ the effective shape factor. _____ (improves)
219. Mass transfer is due to _____ gradient. _____ (concentration)
220. The two types of mass transfer are _____ and _____ .
(diffusion, convective)
221. Mass transfer at molecular level can be likened to heat _____ . (conduction)
222. The unit of mass diffusivity is _____ . (m²/s)
223. The ratio of mass diffusivity to momentum diffusivity is called _____ .
(Schmidt number)
224. The two types of molecular diffusion are _____ and _____ .
(equimolar counter diffusion, Diffusion into a stationary medium)
225. For the same concentration gradient, diffusion, into a stationary component will give _____ rate. (larger)
226. Use of kg mole in place of kg is more convenient mass transfer because of _____ .
(diffusion as molecules)
227. If $D_{ba} < > D_{ab}$ then spontaneous _____ build up will result. (pressure)
228. The unit of mass transfer coefficient h_m is _____ . (m/s)
229. Sherwood number is given by _____ . ($h_m x / D$)
230. By similarity h/h_d is proportional to _____ . ($Le^{2/3}$)
231. Transient mass diffusion problems can be solved similar to _____ .
(Transient conduction problems)

SHORT PROBLEMS

1. Hot air at 80°C flows over a surface of area 0.2 m^2 at 60°C , the convection coefficient being $25\text{ W/m}^2\text{K}$. The heat flow is _____ . (100 W)
2. The surface temperatures of a slab conducting heat under steady conditions are 80°C and 60°C . The thermal conductivity of the material of the slab is 25 W/mK . The heat flow rate is 2500 W/m^2 . The thickness of the slab is _____ . (0.2 m)
3. A slab 0.2 m thick of thermal conductivity 25 W/mK conducting heat under steady conditions at the rate of 2500 W/m^2 has the hotter surface at 100°C . The temperature of the other surface is _____ . (80°C)
4. A slab of 0.2 m thickness has its surfaces at 120°C and 100°C . The heat conducted at steady conditions is 250 W/m^2 . The conductivity of the material is _____ . (2.5 W/mK)
5. A slab conducts heat at a steady rate of 2500 W/m^2 . The thermal conductivity of the material is 25 W/mK . The temperature gradient in the slab is _____ . (-100°C/m)
6. The temperature gradient in a slab at steady conduction is -1000°C/m . The slab conducts heat at 250 W/m^2 . The conductivity of the material is _____ . (0.25 W/mK)
7. A slab conducts heat at 2500 W/m^2 under steady conditions. The conductivity of the material is 20 W/mK . If the thickness is reduced to half the value, maintaining the heat flow rate, the temperature gradient will be _____ . (-125°C/m)
8. In a composite slab of two layers the temperature gradient in the first layer of thermal conductivity 50 W/mK is -50°C/m . If the conductivity of the material of the second layer is 25 W/mK the temperature gradient in the second layer will be _____ . (-100°C/m)
9. In a composite slab consisting of two layers of equal thickness the temperature drop in the first layer is 40°C . If the conductivity of the material of the second layer is $1/4$ th of that of the first layer the temperature drop in this layer will be _____ . (160°C)
10. In a composite slab made of two layers of equal thickness the total temperature drop is 100°C . The conductivity of the first layer material is $1/4$ th of the conductivity of the second layer material. The temperature drop in the first layer will be _____ . (80°C)
11. A hollow cylindrical insulation of $ID\ 0.2\text{ m}$ and $OD\ 0.4\text{ m}$ conducts heat radially. If another layer of insulation of the same material of thickness of 0.4 m is added to the heat flow will be changed by the ratio _____ . (0.5)
12. A hollow spherical insulation of $0.2\text{ m}\ ID$ and $0.4\text{ m}\ OD$ conducts heat under steady conditions. If another layer of insulation of the same material of thickness of 0.4 m is added the heat flow will be reduced to _____ of the original value. (2/3)
13. A hollow spherical insulation of $ID\ 0.2\text{ m}$ and $OD\ 0.4\text{ m}$ conducts heat at steady conditions radially. The thickness of additional insulation of the same material needed to reduce the heat flow to 75% of the original value is _____ . (0.2 m)
14. To reduce the heat flow through a hollow cylinder to $1/n$ th the value of the original flow the new value of the ratio of the radii should be the _____ power of the original radii ratio. (n th)

15. In a hollow spherical insulation of radii r_i and r_o in order to reduce heat flow by fraction c of the original flow additional insulation up to radius r_{o2} was added. Then the relation between the new and old radii is _____ . $\{1 - (r_o/r_i)\} = c\{1 - (r_{o2}/r_i)\}$
16. One end of two long rods of same radius of material A and B are in a furnace. The temperature at 10 cm from the furnace in rod A was found equal to the temperature at 20 cm in rod B . The conductivity of material A was 10 W/mK. The conductivity of material B will be _____ . (40 W/mK)
17. Two long cylindrical rods A and B of the same material but of different diameters have one of their ends placed in a furnace. The temperature measured at 10 cm from the furnace in rod A was found equal to the temperature at 20 cm in rod B . The ratio of the diameters of the larger to the smaller is _____ . (4)
18. Two long rods of the same material of diameters 4 cm and 1 cm have one of their ends placed in a furnace. The heat loss from the 4 cm diameter rod will be _____ times the heat loss from the 1 cm diameter rod. (8 times)
19. A long rod has one of its ends in a furnace and has reached steady conditions. Suddenly a fan is switched on and the convection coefficient over the surface increases four fold. Under steady conditions the heat loss will increase by _____ %. (100%)
20. A long rod has one of its end in a furnace and has reached steady conditions. The temperature at 16 cm from the end was measured as $T^\circ\text{C}$. Suddenly a fan is switched on and the convection coefficient over the surface increases four fold. Under steady conditions the location at which the temperature will equal $T^\circ\text{C}$ will be at _____ from the end. (8 cm)
21. A long rod of diameter d m has one of its ends in a furnace and has reached steady conditions. The temperature at 10 cm from the end was measured as $T^\circ\text{C}$. If a rod of $4d$ m diameter is in a similar situation the location at which the temperature will equal $T^\circ\text{C}$ will be at _____ from the end. (20 cm)
22. In a heat treatment process a small component of good thermal conductivity is to be cooled. For the same volume if the surface area is doubled the cooling time will be reduced to _____ the original time. (half)
23. Two sets of spherical pieces are to be cooled in batch process. The diameter of one set is 20 mm and that of the other set is 10 mm. The batch time for the 20 mm shots was 8 min. If other conditions are the same then the batch time for the 10 mm shots will be _____ . (4 min)
24. Steel shots of heat capacity 1000 J/K are cooled in a bath, the batch time being 6 min. If similar sized shots of a different material with heat capacity of 1500 J/K are to be cooled under similar conditions the batch time will be _____ . (9 minutes)
25. A thermocouple of volume $1.5 \times 10^{-8} \text{ m}^3$ and area of $9 \times 10^{-6} \text{ m}^2$ with a specific heat of 500 J/kg K and density of 8000 kg/m³ is exposed to convection at 667 W/m²K. The time constant is _____ . (10s)
26. A slab 16 cm thick generating heat at the rate of 5 MW/m³ when exposed on both sides to convection has its center temperature 60°C above the surface temperature. If a long cylinder of 8 cm diameter generating heat at the same rate is exposed to convection under similar conditions its center temperature will be _____ above the surface temperature. (30°C)

27. The center to surface temperature difference in a heat generating cylindrical rod of 8 cm dia was 30°C . Under similar conditions the center to surface temperature difference in the case of a sphere of 8 cm dia will be _____ . (20 $^{\circ}\text{C}$)
28. In a slab 0.2 m thick with a surface temperature of 200°C on both surfaces heat is generated at a rate of 10^6 W/m^3 . The conductivity of the material is 50 W/mK. The center temperature will be _____ . (300 $^{\circ}\text{C}$)
29. In a long solid cylinder the heat generation rate is 10^6 J/m^3 . The conductivity is 50 W/mK. The surface temperature is 250°C . The center temperature is 300°C . The radius of the cylinder is _____ . (0.1 m)
30. In a solid sphere of 0.2 m dia, heat is generated at the rate of $1.2 \times 10^6 \text{ W/m}^3$. The center temperature is 300°C . Conductivity is 50 W/mK. The surface temperature is _____ . (260 $^{\circ}\text{C}$)
31. In a heat generating slab of 0.1 m half thickness the center to surface temperature difference was 100°C . If the half thickness is increased to 0.15 m, the temperature difference will be _____ . (225 $^{\circ}\text{C}$)
32. A cylindrical rod of 0.1 m radius generating heat has its radius increased to 0.2 m. The center to surface temperature difference is _____ times the original value. (4 times)
33. A thermocouple has a time constant of 24 seconds, under a certain calibration conditions to improve performance, the convection coefficient is doubled and the surface area is also increased to 1.2 times the value keeping the volume unchanged. The new time constant will be _____ . (10 seconds)
34. Inside of a slab under transient conduction three planes 1, 2 and 3 are located at distance of 2 cm intervals. The thermal diffusivity of the material was $1 \times 10^{-6} \text{ m}^2/\text{s}$. The temperatures at node 1 and 3 at a point of time was 300 and 200°C . After an interval of _____ seconds temperature at node-2 will reach 250°C . (200 sec)
35. Under steady two dimensional conduction the temperatures at nodes $(m + 1, n)$, (m, n) , $(m, n + 1)$, $(m, n - 1)$ are respectively 600, 400, 350 and 325. The nodes are equal spaced. The temperature at the node $(m - 1, n)$ i.e., $T_{m-1, n}$ is _____ . (325 $^{\circ}\text{C}$)
36. In a flow over a flat plate at a distance of 0.12 m, the Reynolds number is 14,400. The hydro dynamic boundary layer thickness is _____ . (5 mm)
37. The boundary layer thickness at a point in flow over a plate, is 8 mm. The Reynolds number is 25600. The distance from the leading edge is _____ . (0.256 m)
38. The Reynolds number in air flow over a flat plate at 8 m/s was 25000. The kinematic viscosity was $64 \times 10^{-6} \text{ m}^2/\text{s}$. The distance from the leading edge is _____ . (0.2 m)
39. In a flow over a flat plate the distance from the leading edge for the flow to become turbulent is _____ . The free stream velocity is 20 m/s. Kinematic viscosity is $50 \times 10^{-6} \text{ m}^2/\text{s}$. (1.25 m)
40. In a flow over a flat plate the Reynolds number is 25600 and the Prandtl number is 0.834. The average Nusselt number is _____ . (100)
41. The Nusselt number is 100. The location from leading edge is 0.5 m. $k = 0.025 \text{ W/mK}$. Convection coefficient is _____ . (5 W/m ^2K)

42. The temperature gradient at the wall in flow over a flat plate is $-4000^\circ\text{C}/\text{m}$. Conductivity is $0.025\text{W}/\text{mK}$. Plate temperature is 80°C . Air temperature is 60°C . Convection coefficient is _____ . $(5\text{W}/\text{m}^2\text{K})$
43. In flow over a flat plate Reynolds number at a location is 25600. The average friction coefficient is _____ . (8.3125×10^{-3})
44. In flow over a flat plate, in the laminar region, velocity boundary layer thickness is 0.009 m. $Pr = 0.729$. Thermal boundary layer thickness is _____ . (10 mm)
45. When cubic velocity profile is assumed the hydro dynamic boundary layer thickness in flow over a flat plate is given by _____ . $(4.64 x/Re^{0.5})$
46. In flow through a pipe the Reynolds number is 1600. The friction factor is _____ . (0.04)
47. In laminar flow through a pipe the friction factor is 0.032. The Reynolds number is _____ . (2000)
48. In fully developed laminar flow of water through a pipe of 0.15 m diameter with uniform wall temperature the thermal conductivity at the condition was $0.655\text{ W}/\text{mK}$. The average convection coefficient is _____ . $(16\text{ W}/\text{m}^2\text{K})$
49. Water flows at the rate of $0.08\text{ kg}/\text{m}^2\text{s}$ through a 0.1 m diameter pipe the viscosity being $356 \times 10^{-6}\text{ kg}/\text{ms}$. The Reynolds number is _____ . (2861)
50. In fully developed laminar flow of water through a 0.15 m diameter pipe under constant heat flux conditions the thermal conductivity at the bulk mean temperature was $0.6874\text{ W}/\text{mK}$. The value of convection coefficient is _____ . $(20\text{ W}/\text{m}^2\text{K})$
51. An equilateral triangular duct of side 0.1 m has air flowing through it. The hydraulic mean diameter is _____ . (0.0577 m)
52. The hydraulic mean diameter of a rectangular duct of $0.12 \times 0.1\text{ m}$ sides is _____ . (0.109 m)
53. In a convection situation both forced and free convections appear to contribute equally. The Reynolds number is 4000. The range of value of Grashof number is _____ . (16×10^6)
54. In a flow the convection coefficient has a value of $2600\text{ W}/\text{m}^2\text{K}$. The thermal conductivity of the material is $0.64\text{ W}/\text{mK}$. The temperature difference is 40°C . The value of temperature gradient at the interface is _____ . $(-162500^\circ\text{C}/\text{m})$
55. In a flow across a tube bundle the tube OD is 0.75 m. The tube arrangement is staggered with a pitch of 0.15 m normal to the flow and 0.1 m pitch along the flow. The entrance velocity is 10 m/s. The maximum velocity is _____ . $(20\text{m}/\text{s})$
56. In a heat exchanger the terminal temperatures of the hot fluid are 150 and 80°C . For the cold fluid the terminal temperatures are 30 and 100°C . The flow arrangement is _____ and the value of LMTD is _____ . $(\text{counter flow}, 70^\circ\text{C})$
57. A clean heat exchanger under test gave a U value of $2000\text{ W}/\text{m}^2\text{K}$. After one year of operation the value of U was determined as $1600\text{ W}/\text{m}^2\text{K}$. The fouling resistance is _____ . $(1.25 \times 10^{-4}\text{ m}^2\text{ K}/\text{W})$
58. The inlet and outlet temperatures of the hot and cold fluids are 200, 40 and 180 and 100°C . The value of the LMTD for (i) counter flow and (ii) Parallel flow are _____ . $(118.88, 115.42)$

59. In a heat exchanger the hot fluid inlet and outlet temperatures are 200 and 180°C. For the cold fluid the terminal temperatures are 40 and 100°C. The capacity ratio is _____ . (0.3333)
60. For a parallel flow heat exchanger the capacity ratio is 1.0 and the NTU value is 2.0. The effectiveness is _____ . (0.491)
61. For a counter flow heat exchanger the capacity ratio is 1.0 and NTU is 2.0. The effectiveness is _____ . (0.66666)
62. For a condenser the value of NTU is 1.5. The effectiveness is _____ . (0.777)
63. For a condenser the effectiveness was found as 0.61. The value of NTU is _____ . (0.942)
64. For a counter flow heat exchanger with equal heat capacities the effectiveness was found as 0.6. The value of NTU is _____ . (1.5)
65. For an evaporator the effectiveness was 0.5. The value of NTU is _____ . (0.693)
66. A heat exchanger with 10 m² heat transfer area has an overall heat transfer coefficient of 600 W/m² K. The minimum heat capacity of the flow is 2100 W/K. The value of NTU is _____ . (2.86)
67. In an economiser of a large steam generator pressurised water flows at a rate of 20 kg/s. The water temperature increases from 40°C to 160°C. The flue gas temperature drops from 360°C to 190°C. The heat capacity of the gas flow is _____ . (58984 W/K)
68. In an economiser water gets heated by 120°C while flue gases are cooled by 170°C. The capacity ratio is _____ . If the heat capacity of the gases is 58984 W/K the heat capacity of water is _____ . (0.706, 83561 W/K)
69. In a heat exchanger the LMTD was 26.2°C under certain flow conditions. The heat transfer rate was 11000 W. Due to changes in surrounding conditions the inlet temperature alone had changed and the value of LMTD was found as 22.3°C. The heat flow rate at this conditions will be _____ . (9363 W)
70. In an evaporator due to a change in the heat capacity of the hot fluid the effectiveness increased from 0.6 to 0.75. The overall heat transfer coefficient decreased by 20%. The percentage change in the heat capacity is _____ . (– 17.4%)
71. In a counter flow heat exchanger with equal heat capacities the flow rate changed equally on both sides of flow. This changed the effectiveness from 0.6 to 0.75. If there was no change in the value of overall heat transfer coefficient the percentage change in the flow rates is _____ . (– 33.3%)
72. In a counter flow heat exchanger with equal heat capacities the effectiveness was 0.75. If both the flow rates were doubled and if this increased the overall heat transfer coefficient by 20% the new effectiveness will be _____ . (0.375)
73. In the case of parallel flow heat exchangers with equal heat capacities the limiting value of effectiveness is _____ . (0.5)
74. In a parallel flow heat exchanger the value of NTU is 2.0. The capacity ratio is 0.5. The value of effectiveness is _____ . (0.633)
75. In a parallel flow heat exchanger the heat capacities are equal. The hot and cold fluid inlet temperatures are 200°C and 100°C. The limiting value of the exit temperature is _____ . (150°C)

76. In a counter flow heat exchanger with equal heat capacities the inlet temperatures are 100°C and 30°C . The hot fluid exit temperatures was 50°C . The cold fluid exit temperature will be _____ . (80°C)
77. In a parallel flow heat exchanger the heat capacity of the hot fluid was 0.5 of the cold fluid heat capacity. The entry temperatures are 200°C and 50°C . If the cold fluid leaves at 100°C then the hot fluid will leave at _____ . (100°C)
78. In a counter flow heat exchanger the hot fluid enters at 200°C and leaves at 100°C . The cold fluid enters at 50°C and leaves at 200°C . The capacity ratio is _____ . (0.66667)
79. In a counter flow heat exchanger the cold fluid enters at 50°C and leaves at 100°C . The capacity ratio is 0.3333. If the hot fluid enters at 200°C and if the hot fluid has the minimum heat capacity it will leave at _____ . (50°C)
80. The emissive power of a surface is 49000 W/m^2 . The intensity of radiation of that surface will be _____ . (15597 W/str)
81. A black surface is at 1000 K. The fraction of radiation upto a wave length of 5 m will be _____ . (0.6337) Note : refer table.
82. The fraction of radiation emitted by a black surface upto a wave length of 10 m was 0.6337. The temperature of the surface will be _____ . (500 K) Note : Refer table
83. If the fraction of radiation emitted by a black surface in the wave band 0 to 4 m was 0.8563 then the surface temperature will be _____ . (2000 K)
84. At a temperature of 1000 K the monochromatic emissive power will be maximum at the wave length _____ . (2.8976 μm)
85. The maximum monochromatic emissive power of a surface was found to occur at a wave length of 2 μm . The surface temperature should be _____ . (1448.2 K)
86. When the surface temperature was increased from 500 K to 1000 K the wave length at which the monochromatic emissive power is maximum will shift from _____ μm to _____ μm . (5.7952, 2.8976)
87. The shape factor from a completely enclosing surface whose area is 8 m^2 to the enclosed surface whose area is 4 m^2 is _____ . (0.5)
88. In a cylindrical furnace the shape factor from the base to the top is 0.31. The shape factor from the top to the curved surface will be _____ . (0.69)
89. The diameter and the height of a cylindrical furnace are both 2.0 m. The shape factor from the base to the top is 0.18. The shape factor from the curved surface to itself will be _____ . (0.59)
90. The shape factor from the hemispherical surface to half the area of the enclosing base surface is _____ . (0.25)
91. For a right circular cone of slant length equal to the base diameter the shape factor to itself is _____ . (0.5)
92. Two long concentric cylinders are of 0.1 m and 0.2 m diameter. The shape factor from the outer to the inner cylinder and to itself are _____ . (0.5, 0.5)
93. A spherical vessel of 1.2 m diameter encloses another concentric spherical vessel of diameter 1.0 m storing cryogenic liquid. The shape factor of the outer vessel to the inner vessel and to itself are _____ . (0.6944, 0.3056)

94. Two large planes both having an emissivity of 0.5 are parallel to each other. The resistance for radiation heat exchange between them based on 1 m^2 area is _____ .
(3.0 K/W)
95. A radiation shield with emissivity of 0.05 on both sides is placed between two large black parallel black planes. The thermal resistance is _____ . (40 K/W)
96. The shape factor from a surface of 1 m^2 area at 1000 K to another surface is 0.2. The energy radiated by this surface reaching the other surface is _____ . (11340 W)
97. The emissive power of a surface is 3543.75 W/m^2 . The radiosity of the surface is 1451.52 W/m^2 . If the emissivity of the surface was 0.5 then the heat flow out of the surface is _____ .
(2092.23 W)
98. The radiosity of surfaces 1 and 2 are 3543.75 and 1451.52 W/m^2 . The shape factor F_{1-2} is 0.5 and the area of the surface 1 is 2.0 m^2 . The heat transfer between the surfaces is _____ .
(2092.23 W)
99. The volume fraction of N_2 and O_2 at surfaces 0.1 m apart are 10% and 90% and 90% and 10% respectively. The diffusion coefficient is $20.6 \times 10^{-6} \text{ m}^2/\text{s}$. If the total pressure is 1 atm and temperature is 300 K then the diffusion rate of Oxygen and Nitrogen are _____ .
($2.11 \times 10^{-10} \text{ kg/m}^2\text{s}$, $1.85 \times 10^{-10} \text{ kg/m}^2\text{s}$)
100. In a flow involving both heat and mass transfer the convection coefficient was $20 \text{ W/m}^2\text{K}$. Lewis number is 0.85. $c_p = 1005 \text{ J/kgK}$. Density is 1.2 kg/m^3 . The value of mass transfer coefficient is _____ .
(0.0185 m/s)

STATE TRUE OR FALSE

1. Convection coefficient is a material property. (False)
2. Thermal conductivity is a material property. (True)
3. In good conductors lattice vibration contributes more for heat conduction. (False)
4. Thermal conductivity of water decreases with increase in temperature. (False)
5. For the same amount of heat conduction through a slab, as thickness increases the temperature gradient should increase. (False)
6. Fins for the same flow should be longer if the thermal conductivity of the material is increased. (False)
7. For identical fins of different materials the tip to base temperature difference will be lower if the thermal conductivity is lower. (False)
8. In a hollow cylinder, the temperature variation with radius will be linear. (False)
9. The temperatures gradient at the inner surface will be steeper compared to that at the outer surface in radial heat conduction in a hollow cylinder. (True)
10. Fins are more useful with liquids than with gases. (False)
11. Fins effectiveness is generally greater than one. (True)
12. In three dimensional steady state conduction with uniformly spaced nodes the temperature at a node will be one sixth of the sum of the adjacent nodal temperatures. (True)
13. Lumped capacity model can be used in the analysis of transient heat conduction if Biot number is greater than one. (False, should be less than 0.1)
14. Lumped parameter model can be used if the internal conduction resistance is high compared to the surface convection resistance. (False, should be low)
15. To reduce the time constant of a thermocouple, the convection coefficient over its surface should be reduced. (False)
16. To reduce the time constant of a thermocouple its characteristic linear dimension (V/A) should be reduced. (True)
17. A solid of poor conductivity exposed for a short period to surface convection can be analysed as semi infinite solid. (True)
18. A slab will cool the fastest compared to a long cylinder or sphere of the same characteristic dimensions when exposed to the same convection conditions. (False)
19. Higher the value of Biot number slower will be the cooling of a solid. (True)
20. For transient conduction analysis of smaller objects product solution is used. (True)
21. In a slab conducting heat the surface temperatures are 200 and 100°C. The mid plane temperature will be 150°C if k is constant. (True)
22. In a slab of material of variable thermal conductivity, with conductivity increasing with temperature, the surface temperatures are 200°C and 100°C. The mid plane temperature will be greater than 150°C. (False)
23. In a slab material of variable conductivity with conductivity decreasing with temperature the surface temperatures are 200°C and 100°C. The mid plane temperature will be higher than 150°C. (True)
24. In a hollow cylinder with radial conduction the mid plane temperature will be lower than the mean of surface temperatures. (True)
25. In a hollow sphere with radial conduction, the mid plane temperature will be higher than the mean of surface temperatures. (False)

26. With convection on the surface any amount of additional insulation cannot reduce the heat flow through a hollow spherical insulation of the same material to half the original flow rate. (True)
27. In the case of small hollow cylinders or spheres, with outside convection the thermal resistance may decrease by the addition of insulation. (True)
28. Small electronic components may be kept cooler by encasing it in glass like material. (True)
29. If Prandtl number is greater than one, the thermal boundary layer will be thicker compared to hydrodynamic boundary layer. (False)
30. Liquid metal flow in pipes can be approximated to slug flow. (True)
31. The local value of convection coefficient in laminar flow over a flat place will decrease along the length. (True)
32. In flow over a flat plate over length L the , average convection coefficient will be equal to $(4/3) h_L$. (False)
33. Other conditions remaining the same as viscosity increases the boundary layer thickness will decrease. (False)
34. Momentum and displacement thickness will be more compared to boundary layer thickness. (False)
35. In laminar flow Nusselt is a function of $Re^{0.8}$. (False)
36. In turbulent flow the velocity at point varies about an average value. (True)
37. In turbulent flow in pipes Nusselt is proportional to $Re^{0.8}$. (True)
38. In fully developed flow through a pipe, under laminar flow conditions, average Nusselt number is constant. (True)
39. The hydraulic mean diameter for an annulus is $D_{o2} - D_{i2}$. (False)
40. In flow-through tube banks of tubes closer pitch will lead to higher values of h . (True)
41. In free convection, Rayleigh number is similar to Paclet number in forced convection. (True)
42. Gravity force rather than buoyant force plays a more important role in free convection. (False)
43. Grashof number is the ratio between buoyant force and viscous force. (False)
44. Reynolds number is the ratio between viscous force and buoyant force. (False)
45. The value of convection coefficient for the same flow velocity will be lower in the case of water as compared to air. (False)
46. Lower values of kinematic viscosity will lead to higher value of h both in free and forced convection. (True)
47. In pipe flow for similar velocity conditions water will have a higher convection coefficient compared to liquid metal. (False)
48. In cases where both modes of convection may contribute the ratio Gr/Re^2 is a measure of the importance of either mode. (True)
49. As the excess temperature increases, the sustainable heat flux will continuously increase in boiling. (False)
50. The excess temperature range for maximum flux in nucleate pool boiling is about 200°C . (False)

51. In stable film boiling as excess temperature increases sustainable heat flux will increase. (True)
52. In flow boiling mist flow will sustain higher heat flux. (False)
53. In condensation film, linear temperature profile is generally assumed. (True)
54. Dropwise condensation is not sustainable over long periods. (True)
55. Counter flow is always preferable in heat exchanger design. (True)
56. For the same terminal temperatures, LMTD-parallel flow will be higher compared to LMTD-counter flow. (False)
57. NTU method is preferred for the analysis of the complete performance of heat exchangers. (True)
58. For the same NTU, as the capacity ratio increases the effectiveness will decrease. (True)
59. For a given exchanger as the capacity ratio increases the final temperatures will increase. (False)
60. As the capacity ratio in a given exchanger increases, the heat flow will increase. (True)
61. When heat capacities of both fluids are equal, the temperature difference will be constant for parallel flow arrangement. (False)
62. For condensers/evaporators, the flow direction does not affect the heat flow. (True)
63. Capacity ratio is taken as zero for condensers and evaporators. (True)
64. Opaque Gray surfaces have constant reflectivity. (True)
65. Directional emissivity for metals will be lowest at the normal direction. (False)
66. Glasses generally transmit low frequency radiation. (False)
67. Copper dioxide coating can produce selective surface. (True)
68. As temperature increases, the wavelength at which maximum monochromatic emissive power occurs increases. (False)
69. Kirchhoff law states that reflectivity equals absorptivity. (False)
70. As temperature difference increases, radiation resistance will increase. (False)
71. As temperature increases, h_r will increase. (True)
72. Convex surfaces will have shape factor with themselves. (False)
73. Between two surfaces if $F_{1-2} > F_{2-1}$ then $A_1 > A_2$. (False)
74. Shape factor with enclosing surfaces will be one. (True)
75. Gases are truly gray radiators. (False)
76. Radiation from a gas body is a volume phenomenon. (True)
77. Emissivity of a gas body depends on the partial pressure, thickness and temperature. (True)
78. Gases are band radiators. (True)
79. Snow is a very good reflector. (False)
80. Lewis number is used to predict mass transfer rates using heat transfer rates at similar conditions. (True)
81. Schmidt number replaces Nusselt number in convective mass transfer studies. (False)
82. In mass transfer studies the function of Sherwood number is similar to Prandtl number in heat transfer studies. (False)

SHORT QUESTIONS

1. List the basic laws involved in heat transfer studies.
2. List the three modes of heat transfer and differentiate between them.
3. Describe the mechanism of heat transfer by conduction.
4. Describe the mechanism of convection mode of heat transfer.
5. Explain reasons for the involvement of more parameters in the analysis of convection.
6. Explain the importance of thermal conductivity of fluids in convection.
7. Describe the effect of flow velocity and viscosity on convection heat transfer coefficient.
8. Explain the essential conditions for radiation heat exchange.
9. Define steady state conduction giving examples.
10. State the Fourier law of heat conduction.
11. Giving examples explain the use of electrical analogy in heat transfer studies.
12. Define unsteady state conduction giving examples.
13. Explain how contact resistance develops in conduction ?
14. State the reason for the temperature gradient being steeper at the inside compared to the outside in the case of radial heat conduction in a hollow cylinder/sphere.
15. Explain the term “critical thickness of insulation” with reference to insulation of hollow cylinders and spheres with outside convection. Sketch the variation of total resistance against insulation thickness in case of hollow cylinder.
16. Explain the concept of log mean area in the case of heat conduction in hollow cylinders.
17. Draw the equivalent circuit for conduction through a slab under steady state conduction with convection on both surfaces.
18. Sketch the temperature variation along the thickness of a slab under steady conduction when (i) thermal conductivity increases with temperature and (ii) when thermal conductivity decreases with temperature.
19. Sketch the temperature variation along the radius of a hollow cylinder/sphere under steady radial conduction.
20. Discuss the desirability of tapering the section along the length of a fin exposed to convection.
21. Discuss the conditions for extended surfaces (fins) to be beneficial.
22. Define fin efficiency and explain considering an example.
23. Define fin effectiveness and explain considering an example.
24. State the causes for errors in measurement of temperature of flowing fluids using thermometer well.
25. Define Total fin efficiency and explain considering an example.
26. Sketch qualitatively the temperature variation along the length of fins in the following conditions (i) copper fin and (ii) steel fin. Assume that similar outside conditions prevail in both cases.
27. Two fins of identical sections and lengths are fixed on a surface for heat transfer enhancement. One is of aluminium and the other is of steel. The tip temperature of which fin will be higher and why ?
28. Explain why for a given volume of material a longer fin may not dissipate as much heat as a shorter fin.

29. Explain why circumferential fins are used in pipes and longitudinal fins are used on motor bodies.
30. For a pin fin which type of shape will be more economical (*i*) constant area (*ii*) conical (*iii*) convex parabolic and (*iv*) concave parabolic. Discuss the reasons.
31. Two rods of same section and length made of material *A* and *B* are inserted into a furnace. The temperatures in the rods are found to be equal at lengths L and $1.5 L$ in materials *A* and *B*. Indicate which material has the lower thermal conductivity.
32. Explain how thermal conductivity can be measured using fins.
33. Explain how convection coefficient can be measured using fins.
34. Discuss the effect of conductivity and convection coefficient on the heat dissipation capacity of a fin of a given shape and size.
35. A fin loses heat only by convection. If the same fin is to lose heat only by radiation, will the heat loss (*i*) increase (*ii*) decrease or (*iii*) it cannot be predicted. Discuss.
36. A fin is exposed to a constant heat flux with the base temperature being lower. Sketch the temperature variation along the length.
37. Write down the differential equation for steady two dimensional heat conduction and indicate the method of solving the same.
38. A thin square slab conducting heat along two dimensions has three of its faces at say 400°C and the fourth side at 800°C . Sketch a few equal temperature lines.
39. A thin square slab conducts heat in two directions. Three of its sides are at 100°C and the temperature on the fourth side has a sinusoidal variation with 100°C as minimum. Sketch a few equal temperature lines.
40. List the various methods available for the solution of two dimensional steady conduction problems.
41. Explain the advantages of numerical method in solving two dimensional conduction problems.
42. Describe how a nodal equation can be formed for the temperature at a node in terms of the adjacent nodal temperatures.
43. List the parameters that influence the use of Lumped capacity model in unsteady heat conduction.
44. Explain the significance of Biot number in unsteady conduction.
45. Define “time constant” in the case of thermometer or any other probe used to measure temperature of a flowing gas.
46. Explain the significance of Fourier number in unsteady conduction.
47. Sketch and explain the type of temperature variation with time in the case of a lumped capacity system (*i*) when it cools and (*ii*) when it heats up.
48. Define “semi infinite solid” as used in transient conduction analysis ? Write the differential equation for the problem.
49. Cite some situations where semi infinite solid model can be applied. Give the possible boundary conditions.
50. Explain the effect of thermal diffusivity in transient conduction.
51. In transient conduction sometimes the boundary is specified to be at constant temperature, when transferring heat. Explain how the physical situation can be achieved ?

52. Equal sized spherical shots one of copper and the other of steel are heated in a furnace. Sketch on the same diagram, the variation of temperature with time in these cases.
53. A solid in the shape of a short cylinder is heated in a furnace under convective conditions. The value of Biot number is 0.6. Explain the method of determination of the center temperature.
54. Sketch the temperature at various time periods along the thickness of a slab initially at 100°C suddenly exposed to convection at 800°C on both sides.
55. Sketch the temperature at various time periods along the thickness of a slab initially at 100°C if it suddenly has its surface raised to 800°C on both sides, and maintained at this level.
56. Explain how a cube being heated can be analysed for temperature variation.
57. Differentiate between free and forced convection.
58. Explain the boundary layer concept and indicate its importance.
59. Differentiate between laminar and turbulent flow.
60. State the essential differences in the development of boundary layer in flow over surfaces and flow through ducts.
61. Explain the basic concept used in formulating the equations for the determination of the value of convection coefficient.
62. Explain the significance of Nusselt number.
63. Explain the significance of Reynolds number.
64. Explain the significance of Prandtl number.
65. Explain the significance of “momentum thickness”.
66. Explain the significance of “displacement thickness”.
67. Explain how the wall temperature gradient at a location in flow over a surface is affected by (i) velocity (ii) viscosity.
68. Distinguish between eddy diffusivity of heat/momentum and molecular diffusivity.
69. Define and explain the concept of Hydraulic mean diameter. Indicate the application of Hydraulic mean diameter.
70. State the relation between friction coefficient C_f and friction factor f .
71. Define friction coefficient C_f .
72. Define friction factor f .
73. Explain the concept of Bulk mean temperature. Indicate where it is used.
74. Explain the concept of film temperature. Indicate where it is used.
75. Explain what is meant by fully developed flow in pipes.
76. Explain the advantage of the approximate integral method of analysis of boundary layer flow.
77. Explain the use of analogy in heat and mass transfer studies.
78. Explain the advantages and limitations of dimensional analysis method used in convection studies.
79. Give two examples for the use of packed beds in heat transfer situations.
80. State Stefan-Boltzmann law.
81. State Wien’s displacement law in heat radiation.
82. State Lambert’s cosine law and indicate its uses.

83. State Kirchhoff's law of heat radiation and indicate its uses.
84. State Planck's law of for heat radidation.
85. Distinguish between "total emissive power" and "monochromatic emissive power".
86. Explain the concepts "black body" and "gray body".
87. Explain the concept "intensity of radidation". How does it relate to emissive power ?
88. Define the terms "absorptivity", "reflectivity" and "transmissivity". For a black surface what are the values of each.
89. Explain what is meant by selective coating. Indicate the use of selectively coated surfaces.
90. With an example explain the concept "Band radiators".
91. Explain the concepts "Radiosity" and "Irradiation" and indicate the application of these concepts in the analysis of radiation heat exchange between gray surfaces.
92. Define the explain the concept "shape factor" in radidation heat exchange.
93. Discuss the effect of the following in the value of shape factor (*i*) area of surfaces (*ii*) distance between surfaces (*iii*) enclosing insulated surfaces.
94. Explain what is meant by "green house effect".
95. Describe how an ideal black radiation source can be created.
96. Explain how shields reduce heat transfer by radiation. Indicate the important requirement for shield effectiveness.
97. What is directional emittance ? Describe how directional emittance varies in the case of conducting and insulating surfaces.
98. Describe giving an example the crossed string method of determining shape factor.
99. State reciprocity theorem for shape factors.
100. Explain the concept and write down the expression for "surface resistance" and "space resistance" in case of radiation heat exchange between gray surfaces.
101. Draw the equivalent circuit for radiation heat exchange between gray surfaces.
102. Explain the concept of "nonabsorbing-reradiating surface".
103. Draw the equivalent circuit for heat exchange between two black surfaces connected by a reradiating surface.
104. List the factors affecting the emissivity of a gas body.
105. Explain why glass cover is used in solar collectors of the flat plate type.
106. Explain how error in measurement of temperature using a bare thermometer is introduced due to radiation.
107. Write the expression for the space resistance between surfaces separated by absorbing gas body.
108. Define "excess temperature" and explain its importance in the study of boiling heat transfer.
109. Describe the various regimes of boiling.
110. Differentiate between nucleate boiling and film boiling and indicate in which case maximum heat flux occurs. What is "burnout" in boiling ?
111. Explain the phenomenon of flow boiling and indicate the variation of flux that can be sustained in various regimes in flow boiling.
112. Explain why surface tension becomes important in nucleate boiling.

113. Distinguish between filmwise and dropwise condensation.
114. Describe the assumed variation of temperature in condensate film.
115. Distinguish between recuperative and regenerative heat exchangers.
116. List the classification of heat exchangers based on flow direction.
117. Compare parallel flow and counter flow exchanger in terms of area requirements.
118. Explain how a regenerative (storage type) heat exchanger can be made to work continuously without cycling.
119. Explain why shell and tube arrangement is adopted extensively in heat exchanger construction.
120. Define LMTD, NTU, capacity ratio and effectiveness of heat exchangers.
121. Explain the special advantages of NTU-effectiveness method of analysis of heat exchanger performance.
122. Explain the conditions under which the capacity ratio is taken as zero.
123. State how the ratio of temperature drop is affected by capacity ratio.
124. Explain why the fluid flow direction is not considered when capacity ratio is zero. Give an example.
125. Explain the condition under which the slope of the hot and cold fluid temperature lines will be equal. Indicate the effect of such condition in the case of counter flow exchangers.
126. Distinguish between “flow mixed” and “flow unmixed” in the case of heat exchangers.
127. What is fouling ? What are its effects on heat exchanger performance ?
128. Distinguish between diffusion mass transfer and convective mass transfer.
129. State the dimension for convective mass transfer coefficient. How does it differ from convective heat transfer coefficient.
130. Explain the significance of Schmidt, Sherwood and Lewis numbers in mass transfer analysis.
131. Describe giving examples “equimolar counter diffusion” and “**one component diffusing into a stationary component**”.
132. Give an example for simultaneous heat and mass transfer.
133. Write down continuity equation for the boundary layer.
134. List the boundary conditions available for cubic curve fitting of velocity profile for a forced convection boundary layer.
135. List the boundary conditions available for cubic curve fitting of velocity profile in free convection boundary layer.
136. List the initial and boundary conditions in the case of infinite slab of thickness $2L$ exposed on both sides to convection.
137. List the possible boundary conditions in the case of semi infinite slab under transient conduction.
138. Define Radiosity and irradiation.

Appendix

Property Values of Metals at 20°C

<i>Metal</i>	<i>Density</i> ρ <i>kg/m³</i>	<i>Thermal Diffusivity</i> $\alpha \times 10^6$ <i>m²/s</i>	<i>Specific Heat</i> <i>c</i> <i>J/kgK</i>	<i>Thermal Conductivity</i> <i>k</i> <i>W/mK</i>
Aluminium, Pure	2707	94.44	896	204.2
Steel 0.5% carbon	7833	14.72	465	53.6
Nickel Steel 20% Ni	7983	5.28	461	19.1
Chrome Steel 20% Cr	7689	6.67	461	22.5
Constantan 60% Cu,	8922	6.11	410	22.7
Magnesium, pure	1746	96.94	1013	171.3
Nickel, pure	8906	22.78	444	90.0
Nickel Chrome	8666	4.44	444	17.2
Tungsten Steel 10%W	8313	13.61	419	48.5
Copper, pure	8954	12.22	381	386.0
Bronze	8666	8.61	343	25.9
Brass	8522	33.89	385	110.7
Silver, pure	10524	165.56	235	406.8
Tungsten	19350	62.78	134	162.7
Zinc, pure	7144	41.11	385	112.1
Tin, pure	7304	38.61	226	64.1
Cr Ni steel 15%Cr 10%Ni	7865	5.28	461	19.1

1W/mK = 0.86 kcal/m hr°C, 1 J/kgK = 238.9 × 10⁻⁶ kcal/kg°C.

Property Values of Elements at 20°C

<i>Element</i>	<i>Density</i> ρ <i>kg/m³</i>	<i>Thermal Diffusivity</i> $\alpha \times 10^6$ <i>m²/s</i>	<i>Specific Heat</i> <i>c</i> <i>J/kgK</i>	<i>Thermal Conductivity</i> <i>k</i> <i>W/mK</i>
Beryllium	1840	50.97	1675	157
Boron	2500	10.90	1047	28.6
Cadmium	8660	46.67	230	93
Carbon (graphite)	1700	122.22	670	116.3
	- 2300			- 174.5
Chromium	7150	218.06	448	69.8
Cobalt	8800	17.64	448	69.8
Gold	19300	127.00	129	317.0

(Contd.)

Property Values of Elements at 20°C (Contd.)

Lithium	5340	40.28	3308	68.6
Molybdenum	10200	54.44	253	140.7
Platinum	21460	24.58	132	69.8
Potassium	870	155.56	737	100.0
Rhodium	12450	48.6	248	150.0
Sodium	975	94.44	1197	109.3
Silicon	2330	93.4	703	153
Thorium	11700	39.17	118	54.0
Uranium	19100	12.70	113	27.4
Vanadium	5900	11.94	496	34.9
Titanium	4540	6.22	532	15.12
Zirconium	6570	12.50	278	22.7

$$1\text{W/mK} = 0.86 \text{ kcal/m hr}^\circ\text{C}, 1 \text{ J/kgK} = 238.9 \times 10^{-6} \text{ kcal/kg}^\circ\text{C}$$

Property Values of Insulating Materials

<i>Material</i>	<i>Temp. erature t °C</i>	<i>Density ρ kg/m³</i>	<i>Thermal Diffusivity $a \times 10^6$ m²/s</i>	<i>Specific Heat c J/kgK</i>	<i>Thermal Conductivity $k \times 10^3$ W/mK</i>
Asbestos Fibre	50	470	0.29	816	1105
Asphalt	20	2110	0.16	2093	697.8
Chrome brick	200	3000	0.92	840	2320
Concrete	20	2300	0.49	1130	1279
Cork, plate	30	190	0.12	1884	41.9
Glass	20	2500	0.44	670	744.3
Glass wool	20	200	0.28	670	37.2
Ice	0	920	81.08	2261	2250
Magnesia 85%	100	216	—	—	67.5
Mineral wool	50	200	0.25	921	46.5
Oak, across grain	20	800	0.15	1759	207.0
Porcelain	95	2400	0.40	1089	1035
Quartz, along grain	0	2500 – 2800	3.33	837	7211
Sheet asbestos	30	770	0.20	816	1163
Granite	—	2630	1.37	775	2.79

$$1\text{W/mK} = 0.86 \text{ kcal/m hr}^\circ\text{C}, 1 \text{ J/kgK} = 238.9 \times 10^{-6} \text{ kcal/kg}^\circ\text{C}$$

Property Values of Water in Saturated State

Temp- erature <i>t</i> °C	Density <i>kg/m³</i>	Kinematic Viscosity <i>v</i> × 10 ⁶ <i>m²/s</i>	Thermal Diffusivity <i>a</i> × 10 ⁶ <i>m²/s</i>	Prandtl Number <i>Pr</i>	Specific Heat <i>c</i> <i>J/kgK</i>	Thermal Conductivity <i>k</i> <i>W/mK</i>
0	1002	1.788	0.1308	13.600	4216	0.5524
20	1000	1.006	0.1431	7.020	4178	0.5978
40	995	0.657	0.1511	4.340	4178	0.6280
60	985	0.478	0.1553	3.020	4183	0.6513
80	974	0.364	0.1636	2.220	4195	0.6687
100	961	0.293	0.1681	1.740	4216	0.6804
120	945	0.247	0.1708	1.446	4250	0.6850
140	928	0.213	0.1725	1.241	4283	0.6838
160	909	0.189	0.1728	1.099	4342	0.6804
180	889	0.173	0.1725	1.044	4417	0.6757
200	867	0.160	0.1701	0.937	4505	0.6652
220	842	0.149	0.1681	0.891	4610	0.6524
240	815	0.143	0.1639	0.871	4756	0.6350
260	786	0.137	0.1578	0.874	4949	0.6106
280	752	0.135	0.1481	0.910	5208	0.5803
300	714	0.135	0.1325	1.019	5728	0.5390

β = (change in density/change in temp.) (1/density)

μ = density × kinematic viscosity

1W/mK = 0.86 kcal/m hr°C, 1J/kgK = 238.9 × 10⁻⁶ kcal/kg°C

Property Values of Dry Air at One Atm. Pressure

Temp- erature <i>t</i> °C	Density <i>kg/m³</i>	Coefficient of Viscosity μ × 10 ⁶ <i>Ns/m²/s</i>	Kinematic Viscosity <i>v</i> × 10 ⁶ <i>m²/s</i>	Thermal Diffusivity α × 10 ⁶ <i>m²/s</i>	Prandtl Number <i>Pr</i>	Specific Heat <i>c</i> <i>J/kgK</i>	Thermal Conduc- tivity <i>k</i> <i>W/mK</i>
-50	1.584	14.61	9.23	12.644	0.728	1013	0.02035
-40	1.515	15.20	10.04	13.778	0.728	1013	0.02117
-30	1.453	15.69	10.80	14.917	0.723	1013	0.02198
-20	1.395	16.18	11.61	16.194	0.716	1009	0.02279
-10	1.342	16.67	12.43	17.444	0.712	1009	0.02361
0	1.293	17.16	13.28	18.806	0.707	1005	0.02442
10	1.247	17.65	14.16	20.006	0.705	1005	0.02512
20	1.205	18.14	15.06	21.417	0.703	1005	0.02593
30	1.165	18.63	16.00	22.861	0.701	1005	0.02675

(Contd.)

40	1.128	19.12	16.96	24.306	0.699	1005	0.02756
50	1.093	19.61	17.95	25.722	0.698	1005	0.02826
60	1.060	20.10	18.97	27.194	0.696	1005	0.02966
70	1.029	20.59	20.02	28.556	0.694	1009	0.03047
80	1.000	21.08	21.09	30.194	0.692	1009	0.03074
90	0.972	21.48	22.10	31.889	0.690	1009	0.03128
100	0.946	21.87	23.13	33.639	0.688	1009	0.03210
120	0.898	22.85	25.45	36.833	0.686	1009	0.03338
140	0.854	23.73	27.80	40.333	0.684	1013	0.03489
160	0.815	24.52	30.09	43.894	0.682	1017	0.03640
180	0.779	25.30	32.49	47.500	0.681	1022	0.03780
200	0.746	25.99	34.85	51.361	0.680	1026	0.03931
250	0.674	27.36	40.61	58.500	0.677	1038	0.04268
300	0.615	29.71	48.20	71.556	0.674	1047	0.04605

$$1 \text{ W/mK} = 0.86 \text{ kcal/mkg}^\circ\text{C}, \quad 1 \text{ J/kgK} = 238.9 \times 10^{-6} \text{ kcal/kg}^\circ\text{C}$$

$$1 \text{ Ns/m}^2 = 0.102 \text{ kgf/m}^2, \quad \beta = \frac{1}{T}, \quad T \text{ in K}$$

Values of Error Function

x	$\text{erf}(x)$	x	$\text{erf}(x)$	x	$\text{erf}(x)$	x	$\text{erf}(x)$	x	$\text{erf}(x)$	x	$\text{erf}(x)$	x	$\text{erf}(x)$
0.00	0.00000	0.35	0.37938	0.70	0.67780	1.05	0.86244	1.40	0.95228	1.75	0.98667	2.20	0.998137
0.01	0.01128	0.36	0.38933	0.71	0.68467	1.06	0.86614	1.41	0.95385	1.76	0.98719	2.22	0.998308
0.02	0.02256	0.37	0.39921	0.72	0.69143	1.07	0.86977	1.42	0.95538	1.77	0.98769	2.24	0.998464
0.03	0.03384	0.38	0.40901	0.73	0.69810	1.08	0.87333	1.43	0.95686	1.78	0.98817	2.26	0.998607
0.04	0.04511	0.39	0.41874	0.74	0.70468	1.09	0.87680	1.44	0.95830	1.79	0.98864	2.28	0.998738
0.05	0.05637	0.40	0.42839	0.75	0.71116	1.10	0.88020	1.45	0.95970	1.80	0.98909	2.30	0.998857
0.06	0.06762	0.41	0.43797	0.76	0.71754	1.11	0.88353	1.46	0.96105	1.81	0.98952	2.32	0.998966
0.07	0.07886	0.42	0.44747	0.77	0.72382	1.12	0.88679	1.47	0.96237	1.82	0.98994	2.34	0.999065
0.08	0.09008	0.43	0.45689	0.78	0.73001	1.13	0.88997	1.48	0.96365	1.83	0.99035	2.36	0.999155
0.09	0.10128	0.44	0.46622	0.79	0.73610	1.14	0.89308	1.49	0.96490	1.84	0.99074	2.38	0.999237
0.10	0.11246	0.45	0.47548	0.80	0.74210	1.15	0.89612	1.50	0.96610	1.85	0.99111	2.40	0.999311
0.11	0.12362	0.46	0.48466	0.81	0.74800	1.16	0.89910	1.51	0.96728	1.86	0.99147	2.42	0.999379
0.12	0.13476	0.47	0.49374	0.82	0.75381	1.17	0.90200	1.52	0.96841	1.87	0.99182	2.44	0.999441
0.13	0.14587	0.48	0.50275	0.83	0.75952	1.18	0.90484	1.53	0.96952	1.88	0.99216	2.46	0.999497
0.14	0.15695	0.49	0.51167	0.84	0.76514	1.19	0.90761	1.54	0.97059	1.89	0.99248	2.48	0.999547
0.15	0.16800	0.50	0.52050	0.85	0.77067	1.20	0.91031	1.55	0.97162	1.90	0.99279	2.50	0.999593
0.16	0.17901	0.51	0.52924	0.86	0.77610	1.21	0.91296	1.56	0.97263	1.91	0.99309	2.55	0.999689
0.17	0.18999	0.52	0.53790	0.87	0.78144	1.22	0.91553	1.57	0.97360	1.92	0.99338	2.60	0.999764
0.18	0.20094	0.53	0.54646	0.88	0.78669	1.23	0.91805	1.58	0.97455	1.93	0.99366	2.65	0.999822
0.19	0.21184	0.54	0.55494	0.89	0.79184	1.24	0.92050	1.59	0.97546	1.94	0.99392	2.70	0.999866

(Contd...)

0.20	0.22270	0.55	0.56332	0.90	0.79691	1.25	0.92290	1.60	0.97635	1.95	0.99418	2.75	0.999899
0.21	0.23352	0.56	0.57162	0.91	0.80188	1.26	0.92524	1.61	0.97721	1.96	0.99443	2.80	0.999925
0.22	0.24430	0.57	0.57982	0.92	0.80677	1.27	0.92751	1.62	0.97804	1.97	0.99466	2.85	0.999944
0.23	0.25502	0.58	0.58792	0.93	0.81156	1.28	0.92973	1.63	0.97884	1.98	0.99489	2.90	0.999959
0.24	0.26570	0.59	0.59594	0.94	0.81627	1.29	0.93190	1.64	0.97962	1.99	0.99511	2.95	0.999970
0.25	0.27633	0.60	0.60386	0.95	0.82089	1.30	0.93401	1.65	0.98038	2.00	0.995322	3.00	0.999978
0.26	0.28690	0.61	0.61168	0.96	0.82542	1.31	0.93606	1.66	0.98110	2.02	0.995720	3.20	0.999994
0.27	0.29742	0.62	0.61941	0.97	0.82987	1.32	0.93806	1.67	0.98181	2.04	0.996086	3.40	0.999998
0.28	0.30788	0.63	0.62705	0.98	0.83423	1.33	0.94002	1.68	0.98249	2.06	0.996424	3.60	1.000000
0.29	0.31828	0.64	0.63459	0.99	0.83851	1.34	0.94191	1.69	0.98315	2.08	0.996734		
0.30	0.32863	0.65	0.64203	1.00	0.84270	1.35	0.94376	1.70	0.98379	2.10	0.997020		
0.31	0.33891	0.66	0.64938	1.01	0.84681	1.36	0.94556	1.71	0.98441	2.12	0.997284		
0.32	0.34913	0.67	0.65663	1.02	0.85084	1.37	0.94731	1.72	0.98500	2.14	0.997525		
0.33	0.35928	0.68	0.66378	1.03	0.85478	1.38	0.94902	1.73	0.98558	2.16	0.997747		
0.34	0.36936	0.69	0.67084	1.04	0.85865	1.39	0.95067	1.74	0.98613	2.18	0.997951		

References

- Eckert, E.R.G. and Drake, R.M. (1959). *Heat and Mass Transfer*, McGraw-Hill.
- Holman, P.J. (2002, 9th edition). *Heat Transfer*, McGraw-Hill.
- Incropera, F.P. and Dewitt, D.P. (2002)., *Introduction to Heat Transfer*, Fourth Edition, John Wiley and Sons.
- Kern, D.Q. (1950). *Process Heat Transfer*, McGraw-Hill.
- Kreith, F. and Bohn, M.S. (1997). *Principles of Heat Transfer*, Fifth Edition, PWS Publishing Co. and International Thomson Publishing Co.
- Kutateladze, S.S. and Borishankii, V.M. (1966). *A Concise Encyclopedia of Heat Transfer*, Pergamon Press.
- McAdams, W.H. (1954). *Heat Transmission*, McGraw-Hill.
- Rohsenow, W.M. et al., (1985). *Hand Book of Heat Transfer Applications and Hand Book of Heat Transfer Fundamentals*, McGraw-Hill.
- Schneider, P.J. (1957). *Conduction Heat Transfer*, Addison-Wesley Publishing Co.
- Spalding, D.B. (1963). *Convective Mass Transfer: An Introduction*, Edward Arnold.
- Streeter, V.L. (1983). *Fluid Mechanics*, McGraw-Hill.
- Thomas, L.C. (1980). *Fundamentals of Heat Transfer*, Prentice Hill.
- Treybal, R.E. (1995). *Mass Transfer Operations*, McGraw-Hill.
- Wrangham, D.A. (1961). *The Elements of Heat Flow*, Chatto and Windus.
- Mills, A.F., (1995). *Heat and Mass Transfer*, Richard. D. Irwin Inc.