

Commercial Skylights - Dynamic Dome

Cast light longer with the Dynamic Dome

The VELUX Dynamic Dome has once again revolutionized the commercial skylight market with new features that are innovative and can meet energy, structural and safety requirements for most non-residential applications.

**15 Year
Warranty**
on LuxGuard options
including hail
breakage*



ABBA SKYLIGHTS

RESIDENTIAL | INDUSTRIAL | COMMERCIAL | INSTITUTIONAL

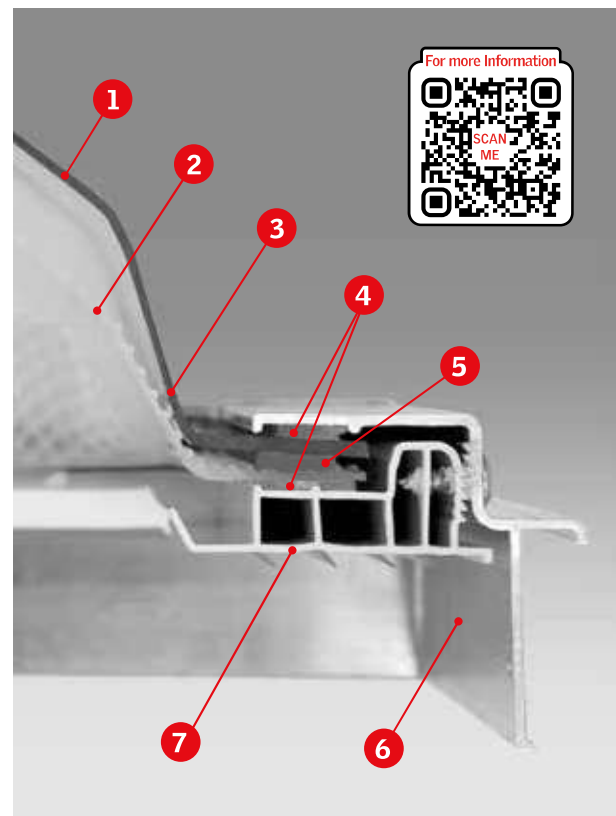
"A World of Skylight Options"

New and Upgraded Dynamic Dome Features

- 1 Smooth Outer Dome** – While keeping to its uncompromising strength and revolutionary engineering, the increased height and prismatic inner dome design of the Dynamic Dome transmits 20% more light into spaces.
- 2 White Prismatic Inner Dome** – The smooth inner dome achieves 100% light diffusion and is available for larger size needs or to meet HVHZ code requirements.
- 3 Sidewall of Dome** – Masterfully designed to match the angles of the sun in the morning and afternoon hours (lower light periods) to improve light transmittance.

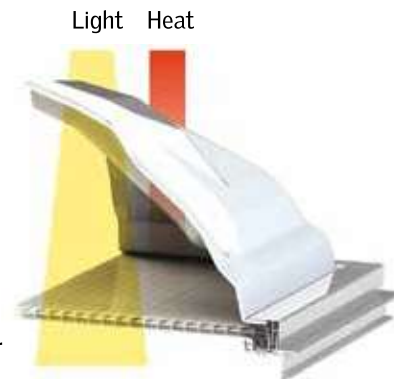
New and Upgraded Dynamic Dome and Commercial Frame Features

- 4 Impenetrable Water Protection** – The combination of two layers of InstantGlaze sealant ensures a fully watertight design.
- 5 Glazing Spacer** - Clear evacuation path for any moisture that may form in between the domes.
- 6 One-Piece Aluminum Frame** – Improved frame strength and thermal performance from previous two-piece frame design.
- 7 PVC Thermal Break** – The unique two-way function of the PVC inner frame provides a 100% thermal break, as well as a water management system, evacuating all moisture to the exterior.
 - Dry Installation - no curb sealants or tape needed
 - Combined Wicking System: Absorbs moisture from the inner frame to evacuate to the exterior



*15 year warranty on LuxGuard options including hail breakage up to 2" diameter.

IMPROVED! Energy Series Skylight CMD3/CMD4



Triple dome and Energy dome Delivers abundant daylight while providing a thermal barrier to exterior elements. CMD4 models feature Lumira Aerogel and multi wall polycarbonate.

Benefits

- Energy series skylight options.
- Competitive pricing.
- Compact nestling allows for shipping of more skylights per truckload.
- 15-year warranty on LuxGuard options including hail breakage*.
- Fall protection and security screens available.
- Additional curb options available.

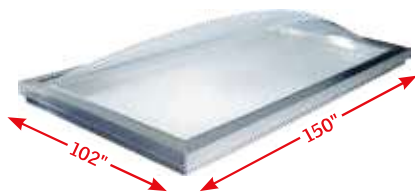
Features

- 100% thermal break.
- Light harvesting design to maximize low angle sunlight to capture more daylight, reducing electrical usage.
- Enhanced water management with multifunctional condensation gasket and mid-points on each side of the frame to evacuate water outside at all four corners.
- Airtight seal to curb with dry installation.
- Available in double, triple, and high energy domes.

Custom Dome Skylights

A wide variety of custom dome skylights, glazing options and accessories are available with short lead times. Manufactured to fit outside curb sizes to the nearest 1/4" with a 1/2" clearance on all sides. Frame colour is also available in mill finish or neutral grey.

Model CMT - Traditional Dome



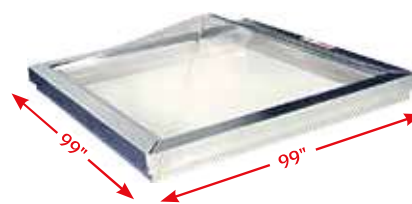
- Available in 1/4" increments.
- Acrylic available up to 102" x 150" outside curb.
- Also available in smooth and prismatic LuxGuard polycarbonate. Call for sizing.
- Skylight curb and fall protection accessories available.
- No minimum order quantity.

Model CMP - Hip Ridge Dome



- Available in 1/4" increments.
- Acrylic available up to 102" x 150" outside curb.
- Also available in smooth and prismatic LuxGuard polycarbonate. Call for sizing.
- Skylight curb and fall protection accessories available.
- No minimum order quantity.

Model CMP - Pyramid Dome



- Available in 1/4" increments.
- Acrylic available up to 99" x 99".
- Also available in smooth and prismatic LuxGuard polycarbonate. Call for sizing.
- Skylight curb and fall protection accessories available.
- No minimum order quantity.



Model CCAM - Factory insulated attached aluminum curb. 9", 12" and 16" heights available

How to Configure Commercial Skylights

Step 1: Select your Dynamic Dome or Custom Dome skylight model

Dynamic Dome skylight models

Model	Skylight Description
CMD2	Double dome, curb mount
CMD3	Triple dome, curb mount
CMD4	Energy dome, curb mount
DMD2	Double dome, deck mount (curb included)
DMD3	Triple dome, deck mount (curb included)
DMD4	Energy dome, deck mount (curb included)

Custom Dome skylight models

Model	Skylight Description
CMT2	Double dome traditional round, curb mount
CMT3	Triple dome, tradition round, curb mount
CMP2	Double dome, pyramid, curb mount
CMP3	Triple dome, pyramid, curb mount
DMT2	Double dome traditional round, deck mount (curb included)
DMT3	Triple dome, tradition round, deck mount (curb included)
DMP2	Double dome, pyramid, deck mount (curb included)
DMP3	Triple dome, pyramid, deck mount (curb included)

Step 2: Select your Dynamic Dome size, or note your Custom Dome size

Dome Sizes	2448	2496	2412	30120	3636	3660	3672	3696	36120	4783	4848	4860	4872	4896	48120	5060	6060	6072	6096	60120	7272
Outside Curb Size	27" x 51"	27" x 99"	27" x 123"	33" x 123"	39" x 39"	39" x 63"	39" x 75"	39" x 99"	39" x 123"	50" x 86"	51" x 51"	51" x 63"	51" x 75"	51" x 99"	51" x 123"	53" x 63"	63" x 63"	63" x 75"	63" x 99"	63" x 123"	75" x 75"
Maximum Skylight Clearance	28 1/4" x 52 1/4"	28 1/4" x 100 1/4"	28 1/4" x 124 1/4"	34 1/4" x 124 1/4"	40 1/4" x 40 1/4"	40 1/4" x 64 1/4"	40 1/4" x 76 1/4"	40 1/4" x 100 1/4"	40 1/4" x 124 1/4"	51 1/4" x 87 1/4"	52 1/4" x 52 1/4"	52 1/4" x 64 1/4"	52 1/4" x 76 1/4"	52 1/4" x 100 1/4"	52 1/4" x 124 1/4"	54 1/4" x 64 1/4"	64 1/4" x 64 1/4"	64 1/4" x 76 1/4"	64 1/4" x 100 1/4"	64 1/4" x 124 1/4"	76 1/4" x 76 1/4"

■ Stocked CMD2 Sizes: 2448, 4783, 4848, 4896, 6060

Step 3: Select your Dynamic and Custom Dome glazing options

Dynamic Domes	Code	Outer Dome	Middle Dome	Inner Dome	Warranty
LuxGuard polycarbonate, double or triple dome	PIC2	Clear smooth polycarbonate	Clear smooth polycarbonate (triple only)	Prismatic white polycarbonate	15 years
LuxGuard polycarbonate + Lumira Laylight	P1L2	Clear smooth polycarbonate	N/A	10mm multiwall polycarbonate with Lumira Aerogel	15 years
EcoSky acrylic, double or triple dome	E2A1	Satin Sky 2	Clear smooth acrylic (triple only)	Clear smooth acrylic	5 years
EcoSky acrylic + Lumira Laylight	E2L2	Satin Sky 2	N/A	10mm multiwall polycarbonate with Lumira Aerogel	5 years
Custom Domes, double acrylic dome	Code	Outer Dome	Middle Dome	Inner Dome	Warranty
Clear over clear	A1A1	Clear smooth acrylic	N/A	Clear smooth acrylic	5 years
Clear over white	A1A2	Clear smooth acrylic	N/A	White smooth acrylic	5 years
White over clear	A2A1	White smooth acrylic	N/A	Clear smooth acrylic	5 years
Bronze over clear	A4A1	bronze smooth acrylic	N/A	Clear smooth acrylic	5 years
Custom Domes, double/triple dome in LuxGuard or EcoSky	Code	Outer Dome	Middle Dome	Inner Dome	Warranty
Clear polycarbonate over clear polycarbonate	PIP1	Clear smooth polycarbonate	Clear smooth polycarbonate (triple only)	Clear smooth polycarbonate	15 years
EcoSky acrylic over clear acrylic	E2A1	Satin Sky 2	Clear smooth acrylic (triple only)	Clear smooth acrylic	5 years

Additional options available. ■ Stocked Glazings: **2-4 days lead time East. 1-2 weeks West.** Made on Demand: **2-5 week lead time.**

Dynamic Dome and Custom Dome fall protection & security



*15 year warranty on LuxGuard options including hail breakage up to 2" diameter.

VMS - VELUX Modular Skylights

VMS (VELUX Modular Skylights) is a high-performance skylight system that greatly reduces the installation time and risk of larger sloped glazing projects. Prefabricated in our factory, there is no on-site glazing or fabrication of flashing. With its impressive thermal performance and quality, VMS is optimized for customers looking for larger skylight openings on flat roofs. Units are available in fixed or venting, along with interior blinds to maximize the fresh air and light control.

Features

- Available in fixed or venting modules.
- Width size range- 26 ⁹/₁₆" – 39 ³/₈".
- Fixed height size range 23 ⁵/₈" – 118 ¹/₈".
- Venting height size range 31 ¹/₂" – 94 ¹/₂".
- Rain and wind sensor available on venting modules.
- Roller blinds and venting modules compatible with building automation.
- Pultruded fibreglass frame.
- U-values as low as 1.31 W/m²°C.
- NAFS tested.

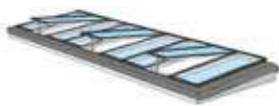


The **VELUX Energy Series** are the most energy efficient skylights on the market



One modular skylight, many installation options!

Longlight



Northlight



Wall Mounted Long Light



Ridgelight

