

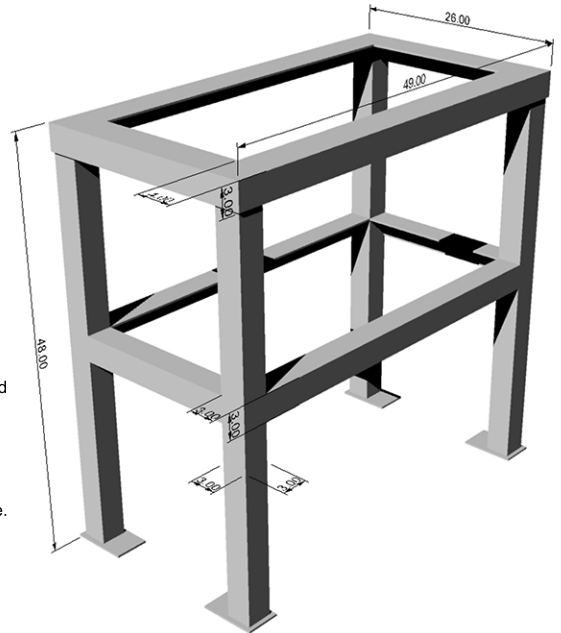
Gorilla Manufacturing Generator Stands

**Stands manufactured in the following heights:
12", 24", 36", 48", 60", 72", 84"**

Sized to fit both Generac and Kohler (26" by 49") everything is fully MIG welded. The fully welded, one piece construction, speeds the installation and make the stands unbelievably sturdy.

A painted finish is standard. Paint can be deleted or upgraded to powder coat or galvanized finish. Bare steel or painted stands are typically in stock but that can vary according to demand. Powder coated or galvanized finishes are available but add a delay.

Top support frames are 4" by 3" by 1/4" angle. Secondary stabilizing frames on the 36" and taller models are 3" by 3" by 1/4" angle. All models use 3" by 3" by 1/4" square tubular legs. Each leg mounting pad is 4" by 6.5" by 1/4" with a pre-drilled hole for 1/2" hold down hardware. Mounting holes for Generac and Kohler generators are pre-drilled



48" stand shown

Gorilla Manufacturing
19525 Wied Rd
Suite 102
Spring, TX 77388
281-705-9701

**GENERAL SPECIFICATIONS FOR
GORILLA MANUFACTURING
GENERATOR STANDS**

REV A
12/31/2018