



HUBBARDTON FORGE.

---





HUBBARDTON FORGE.

**2020 NEW PRODUCT SUPPLEMENT**

OUTDOOR ..... 2-19

PENDANTS & CHANDELIERS ..... 20-67

MINI PENDANTS ..... 68-80

FLUSH / SEMI-FLUSH ..... 80-82

HF REFLECTIONS SCONCES ..... 84-86

SCONCES ..... 34

..... 47

..... 63

..... 82-87

CUSTOMIZABLE & MODULAR DESIGNS

    ABACUS ..... 26-31

    RAIN ..... 54-59

INDOOR FINISHES ..... 89-91

COASTAL OUTDOOR FINISHES ..... 92-93

OUR COMPANY ..... 94-95

INDEX, CREDITS, WARRANTY ..... 96

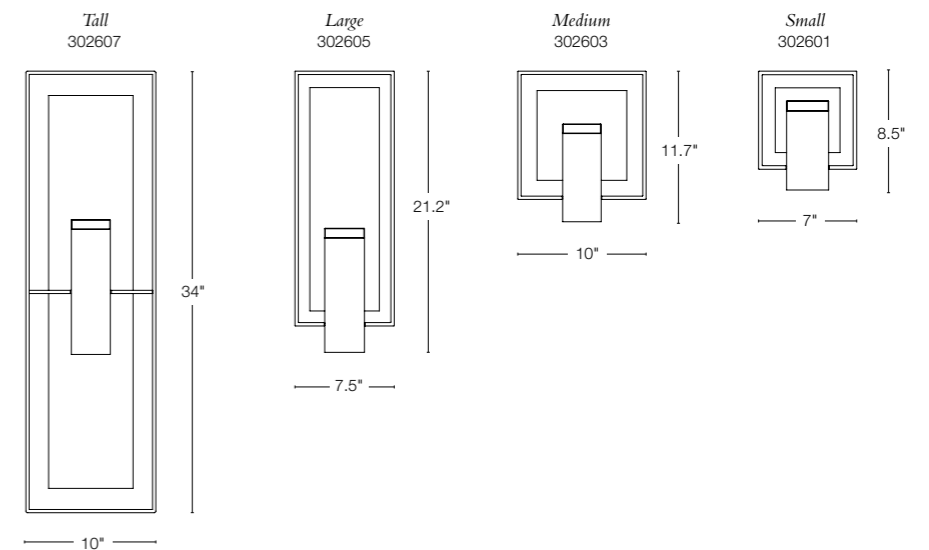


# SHADOW BOX



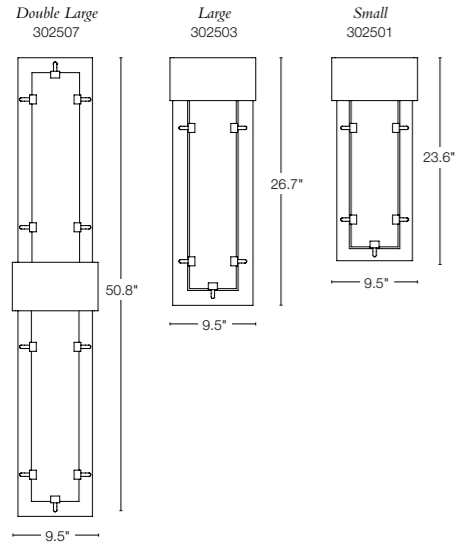
**SHADOW BOX TALL** • 302607 • aluminum sconce  
 34" h x 10" w x 4" d • ADA • A15 bulbs (2), 60W max  
 SHOWN: COASTAL BLACK WITH COASTAL BURNISHED STEEL ACCENT

## SHADOW BOX SIZES AVAILABLE



# URSA

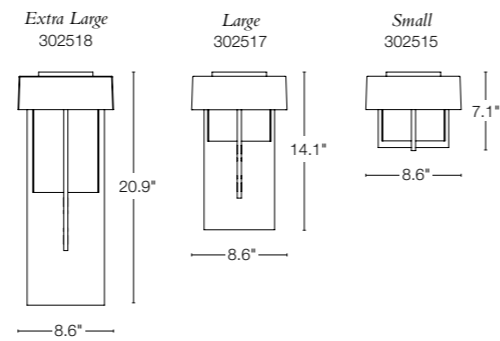
### URSA SCONCE SIZES AVAILABLE



**DOUBLE URSA LARGE**  
302507 - aluminum sconce  
50.8" h x 9.5" w x 3.7" d - ADA - dedicated LED lamping  
SHOWN: COASTAL BURNISHED STEEL FINISH



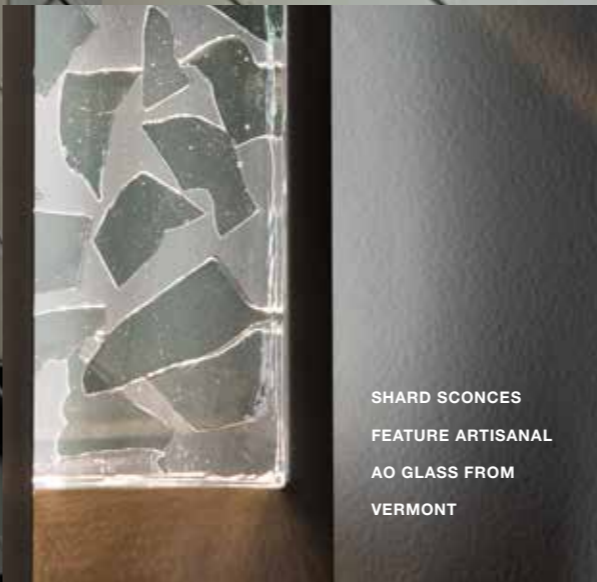
### SHARD SCONCE SIZES AVAILABLE



**SHARD EXTRA LARGE**  
302518 - aluminum sconce  
20.9" h x 8.6" w x 3.5" d - ADA - dedicated LED lamping  
SHOWN: COASTAL DARK SMOKE FINISH



# SHARD



SHARD SCONCES  
FEATURE ARTISANAL  
AO GLASS FROM  
VERMONT

# STRATUM



**STRATUM DARK SKY FRIENDLY LARGE**  
302632 • aluminum sconce  
21.8" h x 9.5" w x 3.7" d • ADA • dedicated LED lamping  
SHOWN: COASTAL BLACK FINISH WITH COASTAL GOLD ACCENT



**STRATUM DARK SKY FRIENDLY SMALL**  
302630 • aluminum sconce  
7.4" h x 9.5" w x 3.7" d • ADA • dedicated LED lamping  
SHOWN: COASTAL BLACK FINISH WITH COASTAL BURNISHED STEEL ACCENT

# DARK SKY FRIENDLY DESIGNS

# DARK SKY FRIENDLY DESIGNS

Dark Sky Friendly outdoor fixtures are designed with downward-facing only beams and reflections of light. The absence of up-light helps to minimize light pollution, protecting stargazing and wildlife for future generations.



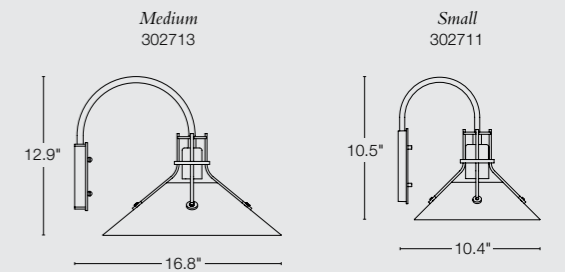
# ERLENMEYER



**ERLENMEYER DARK SKY FRIENDLY**  
307716 • aluminum sconce  
11.3" h x 5" w x 5.1" d • G9 halogen, 60W max  
SHOWN: COASTAL BLACK FINISH WITH COASTAL GOLD ACCENT

# HENRY

HENRY DARK SKY FRIENDLY SCONCE SIZES AVAILABLE



**HENRY DARK SKY FRIENDLY SMALL**  
302711 • aluminum sconce  
10.5" h x 9.2" w x 10.4" d • Par20 wet location, 50W max  
SHOWN: COASTAL BLACK FINISH

# GLASS HENRY

HENRY WITH GLASS SHADE  
DESIGNS ARE AVAILABLE  
WITH CLEAR OR FROSTED  
GLASS SHADE OPTIONS.



**HENRY WITH GLASS SHADE MEDIUM**  
363009 - aluminum pendant  
8.7" h x 14.4" dia - A19 bulb, 100W max  
SHOWN: COASTAL BRONZE FINISH WITH CLEAR GLASS



**HENRY WITH GLASS SHADE MEDIUM**  
302714 - aluminum sconce  
12.9" h x 14.4" w x 16.8" d - A19 bulb, 60W max  
SHOWN: COASTAL BURNISHED STEEL FINISH

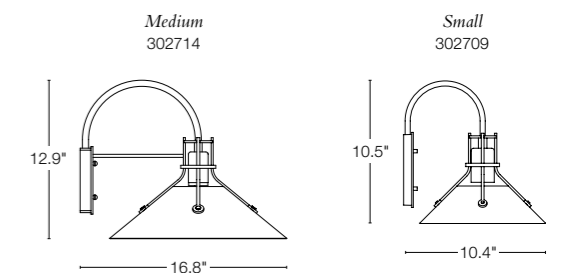


**HENRY MEDIUM**  
363008 - aluminum pendant  
8.7" h x 14.4" dia - A19 bulb, 100W max  
SHOWN: COASTAL BURNISHED STEEL FINISH



**HENRY WITH GLASS SHADE SMALL**  
302709 - aluminum sconce  
10.5" h x 9.2" w x 10.4" d - A19 bulb, 60W max  
SHOWN: COASTAL DARK SMOKE FINISH WITH FROSTED GLASS

HENRY WITH GLASS SHADE SCONCE SIZES AVAILABLE



# POMME

## POMME

364201 • aluminum pendant  
29.1" h x 30.4" dia • B bulbs (5), 60W max  
SHOWN: COASTAL GOLD FINISH WITH  
SEEDED CLEAR GLASS, THIS PAGE; OPAL GLASS, AT RIGHT



*Bottom View*





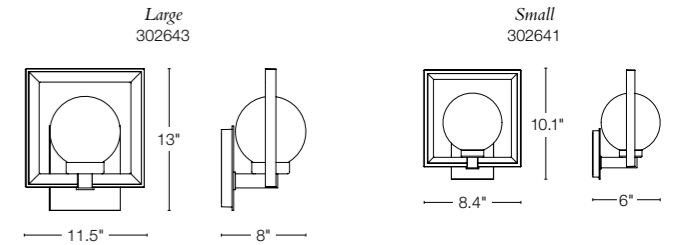
# FRAME



**FRAME SMALL**  
302641 - aluminum sconce  
10.1" h x 8.4" w x 6" d - B bulb, 60W max  
SHOWN: COASTAL GOLD FINISH WITH OPAL GLASS

FRAME SCONCES ARE  
AVAILABLE WITH OPAL OR  
WATER GLASS GLOBES.

### FRAME SCONCE SIZES AVAILABLE



**FRAME LARGE**  
302643 - aluminum sconce  
13" h x 11.5" w x 8" d - B bulb, 60W max  
SHOWN: COASTAL DARK SMOKE FINISH WITH CLEAR WATER GLASS





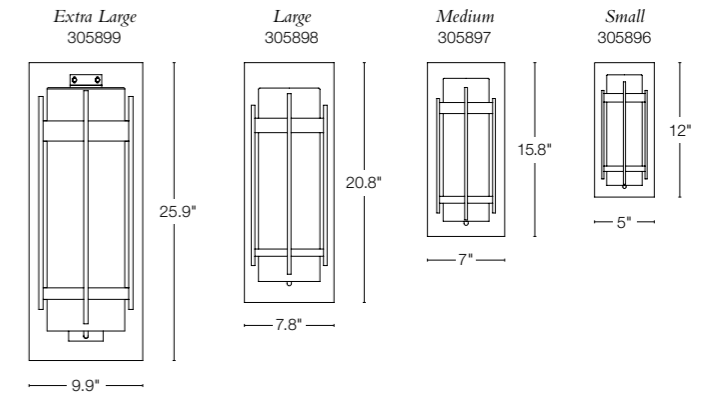


BANDED 2020  
EXPANDING ONE OF  
OUR MOST POPULAR  
AND TIMELESS  
DESIGNS WITH A  
CONTEMPORARY  
DOUBLE GLASS OPTION.

# BANDED

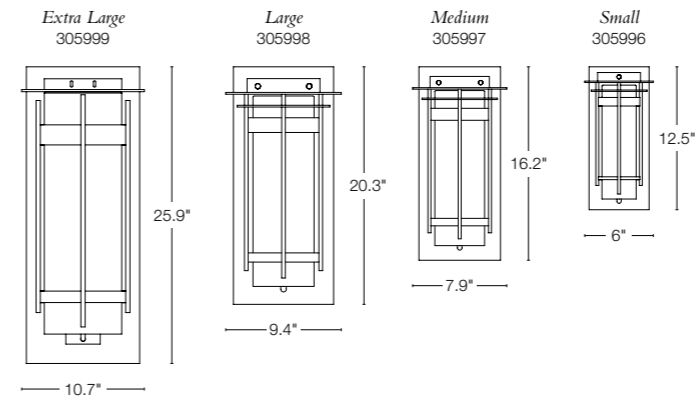


BANDED SCONCE SIZES AVAILABLE



**BANDED MEDIUM** - 305897  
aluminum sconce with seeded over opal glass  
15.8" h x 7" w x 5.2" d - B, 60W max  
SHOWN: COASTAL GOLD FINISH

CAPPED BANDED SCONCE SIZES AVAILABLE



**BANDED LARGE WITH TOP PLATE LARGE**  
305998 - aluminum sconce with seeded over opal glass  
20.3" h x 9.4" w x 8" d - B, 60W max  
SHOWN: COASTAL DARK SMOKE FINISH

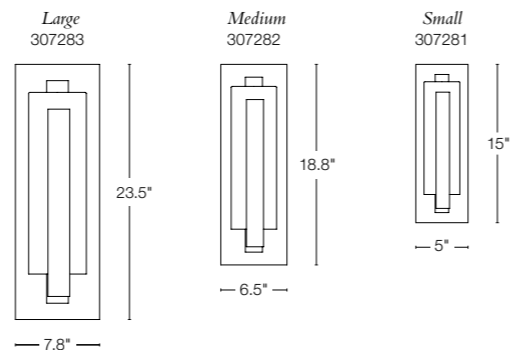


**BANDED OUTDOOR POST LIGHT** · 345897  
aluminum sconce with seeded over opal glass  
22.5" h x 7.25" dia · B bulb, 60W max  
SHOWN: COASTAL DARK SMOKE FINISH



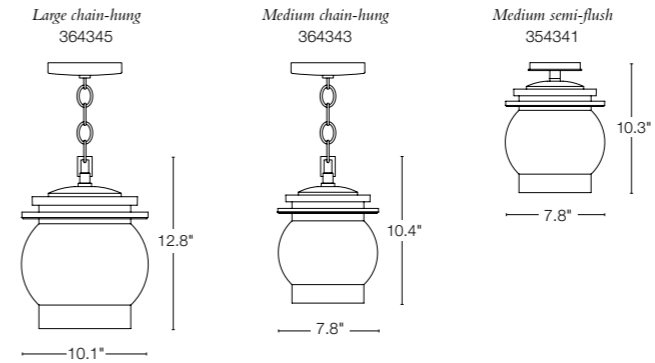
**VERTICAL BAR LARGE** · 307283  
aluminum sconce with clear fluted over opal glass  
23.5" h x 7.8" w x 6.8" d · B bulb, 60W max  
SHOWN: COASTAL DARK SMOKE FINISH

VERTICAL BAR SCONCE SIZES AVAILABLE



VERTICAL BAR

BAY CEILING-HUNG DESIGNS AVAILABLE



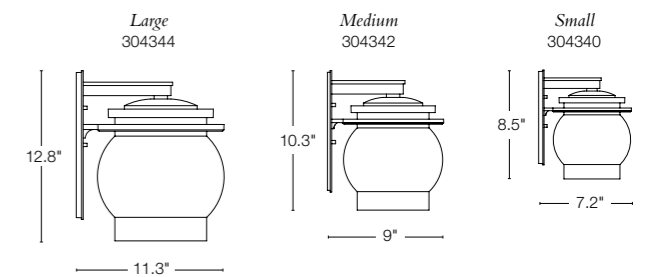
BAY GLASS OPTIONS INCLUDE CLEAR  
OR CLEAR WITH FROSTED CENTER FOR  
MORE BULB SHIELDING.



**BAY MEDIUM**  
364343 · aluminum sconce  
10.4" h x 7.8" dia · A19, 100W max  
SHOWN: COASTAL BLACK FINISH AND CLEAR WITH FROST GLASS



BAY SCONCE SIZES AVAILABLE



**BAY MEDIUM**  
304342 · aluminum sconce  
10.3" h x 7.8" w x 9" d · A19, 100W max  
SHOWN: COASTAL BURNISHED STEEL FINISH AND CLEAR GLASS

BAY



# HIBISCUS

**HIBISCUS LARGE OUTDOOR**

369455 • aluminum pendant

12.9" h x 24.7" w x 18.6" d • A19, 100W max

SHOWN: COASTAL OUTDOOR GOLD FINISH





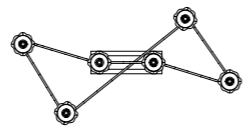
**SPLASH 3-LIGHT** - 138913  
16.2" h x 18.1" w x 16.8" d - G9 bulbs (3), 35 W max  
SHOWN: BLACK FINISH



# SPLASH



**SPLASH 6-LIGHT** - 138915  
22.6" h x 50.8" w x 25.8" d - G9 bulbs (6), 35 W max  
SHOWN: BLACK FINISH



*Bottom View*

THE SPLASH PENDANT FEATURES  
VINTAGE PLATINUM CUPS THAT  
REFLECT AND REFRACT LIGHT BACK  
TO THE ORGANIC SPARKLING GLASS.



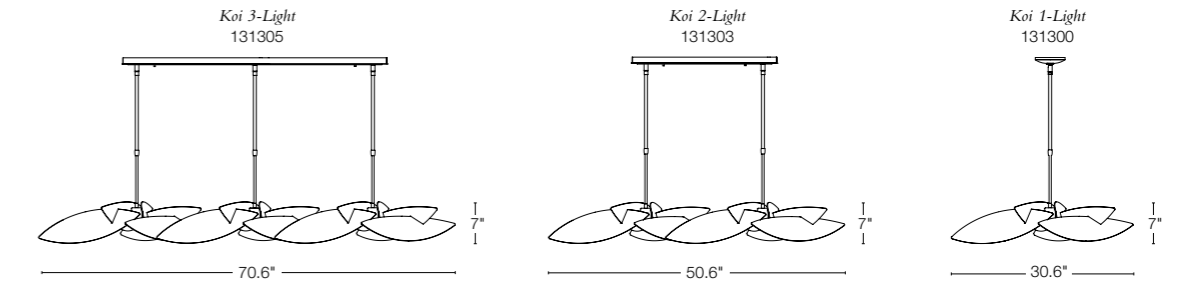


*left* - **KOI 3-LIGHT** - 131305  
7" h x 70.6" w x 16.1" d - A19 bulbs (3), 100W max  
SHOWN: GOLD FINISH



KOI

**KOI 1-LIGHT** - 131300  
7" h x 30.6" w x 16.1" d - A19 bulb, 100W max  
SHOWN: VINTAGE PLATINUM FINISH



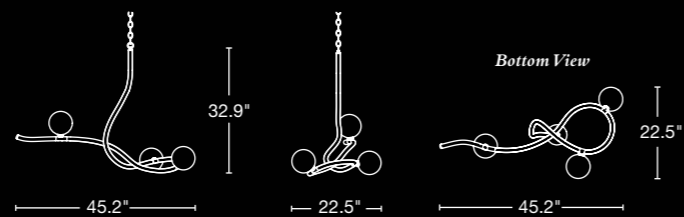
KOI DESIGNS AVAILABLE



**KOI 2-LIGHT** - 131303  
7" h x 50.6" w x 16.1" d - A19 bulbs (2), 100W max  
SHOWN: DARK SMOKE FINISH

# SLIDE

**SLIDE** • 139201  
32.9" h x 45.2" w x 22.5" d • G9 bulbs (3), 40 W max  
SHOWN: GOLD FINISH

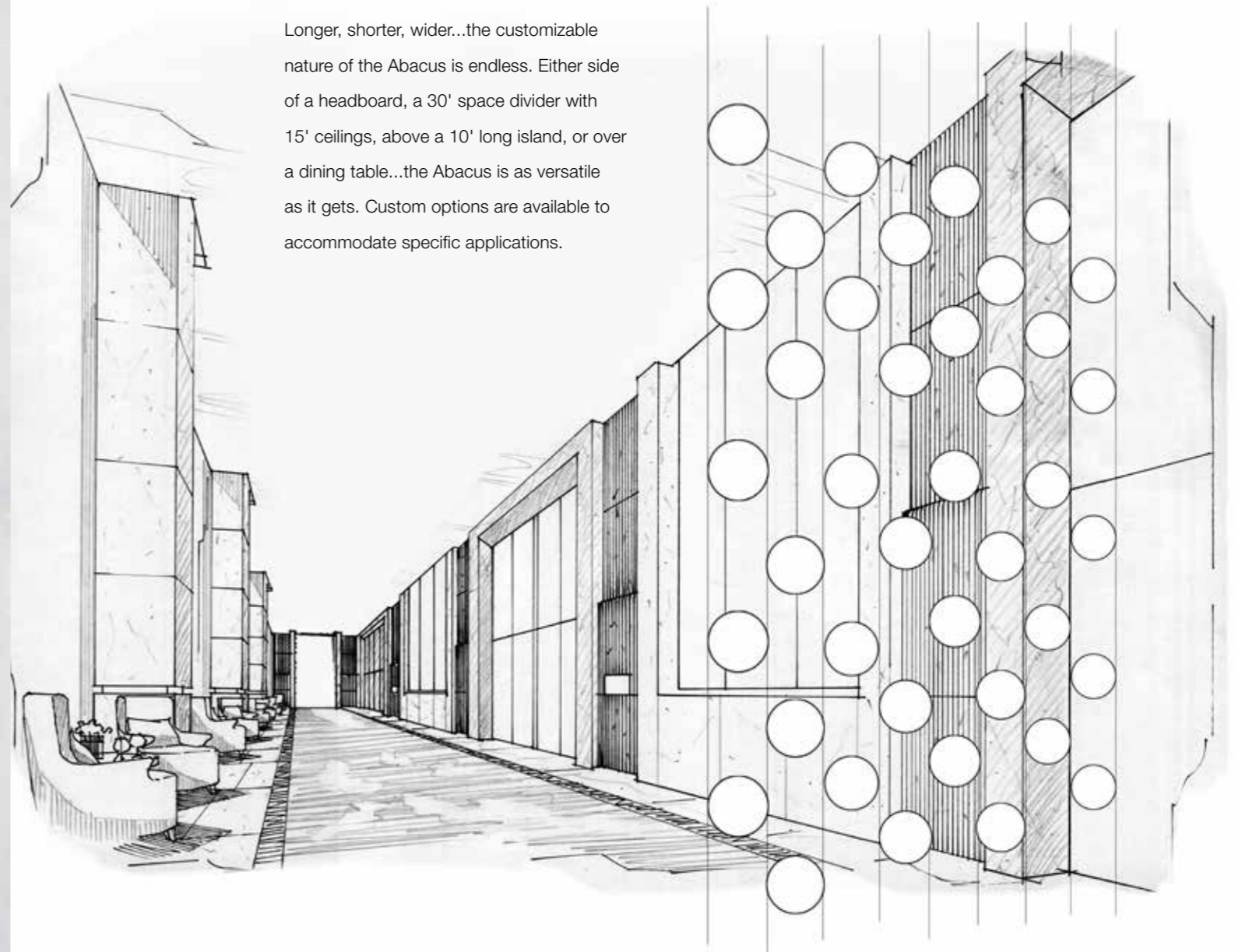


# ABACUS



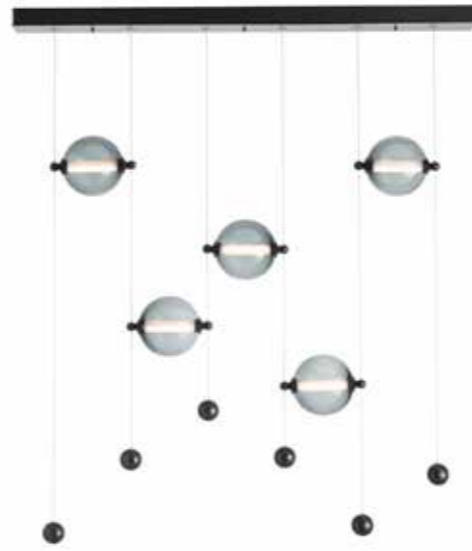
## MODULAR SCALABLE LIGHTING

Longer, shorter, wider...the customizable nature of the Abacus is endless. Either side of a headboard, a 30' space divider with 15' ceilings, above a 10' long island, or over a dining table...the Abacus is as versatile as it gets. Custom options are available to accommodate specific applications.

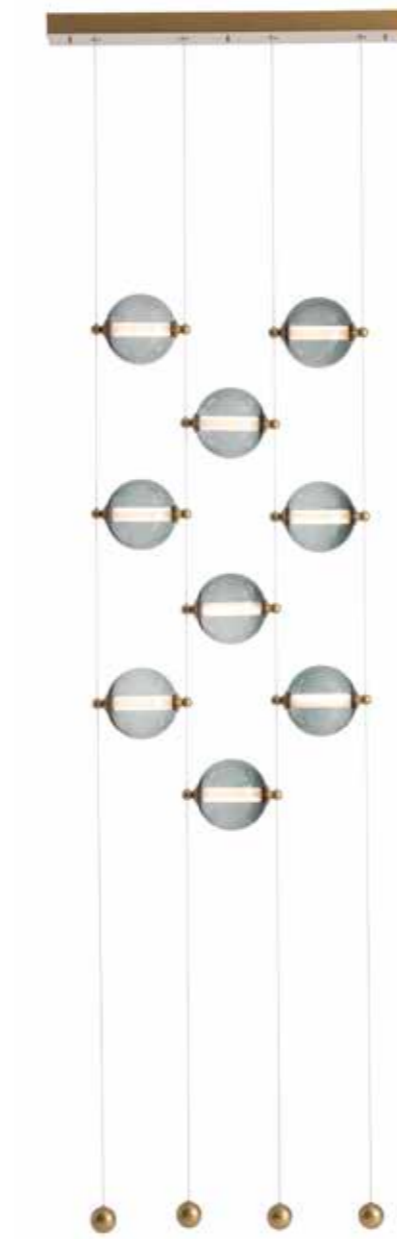




**ABACUS 3-LIGHT PENDANT** - 139053  
 20"-100"h x 22.3" w x 5.5" d - dedicated LED lighting  
 SHOWN: DARK SMOKE FINISH AND COOL GREY GLASS GLOBES



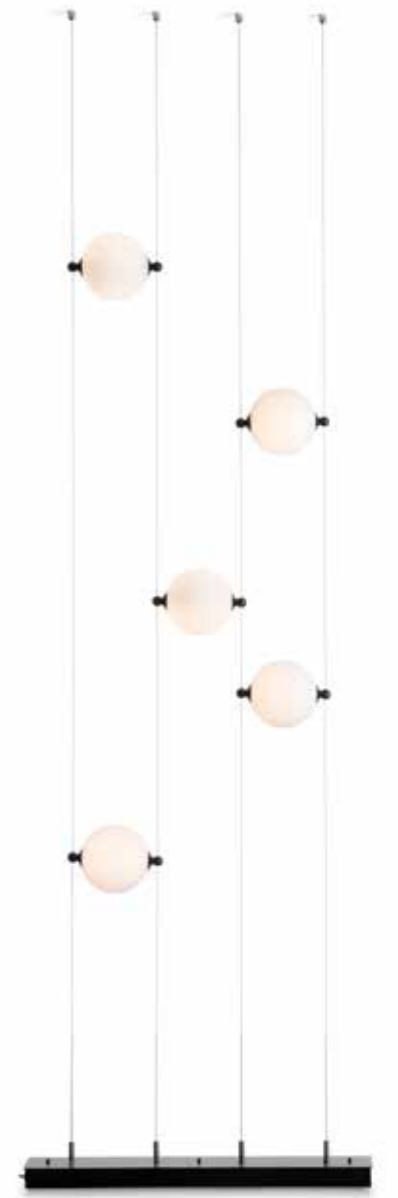
**ABACUS 5-LIGHT PENDANT** - 139050  
 20"-100"h x 41" w x 5.5" d - dedicated LED lighting  
 SHOWN: BLACK FINISH AND COOL GREY GLASS GLOBES



**ABACUS 9-LIGHT** - 139057  
 40"-220" h x 22.3" w x 5.5" d  
 dedicated LED lighting  
 SHOWN: GOLD FINISH AND COOL GREY GLASS GLOBES



**ABACUS 6-LIGHT** - 139055  
 30"-220" h x 22.3" w x 5.5" d  
 dedicated LED lighting  
 SHOWN: DARK SMOKE FINISH AND OPAL GLASS GLOBES



**ABACUS 5-LIGHT PLUG IN** - 289520  
 30"-240" h x 5.5" d - Baseplate 4.3" h x 27.3" d  
 dedicated LED lighting  
 SHOWN: BLACK FINISH AND OPAL GLASS GLOBES

**GLASS COLOR SELECTION**

Glass globes are offered in two standard colors (opal or cool grey). A variety of hand-blown, artisanal glass globes are additionally available as custom options for your Abacus.





## LED TECHNOLOGY

Glass globes are individually lit via a frosted LED tube, powered by low-voltage cables.

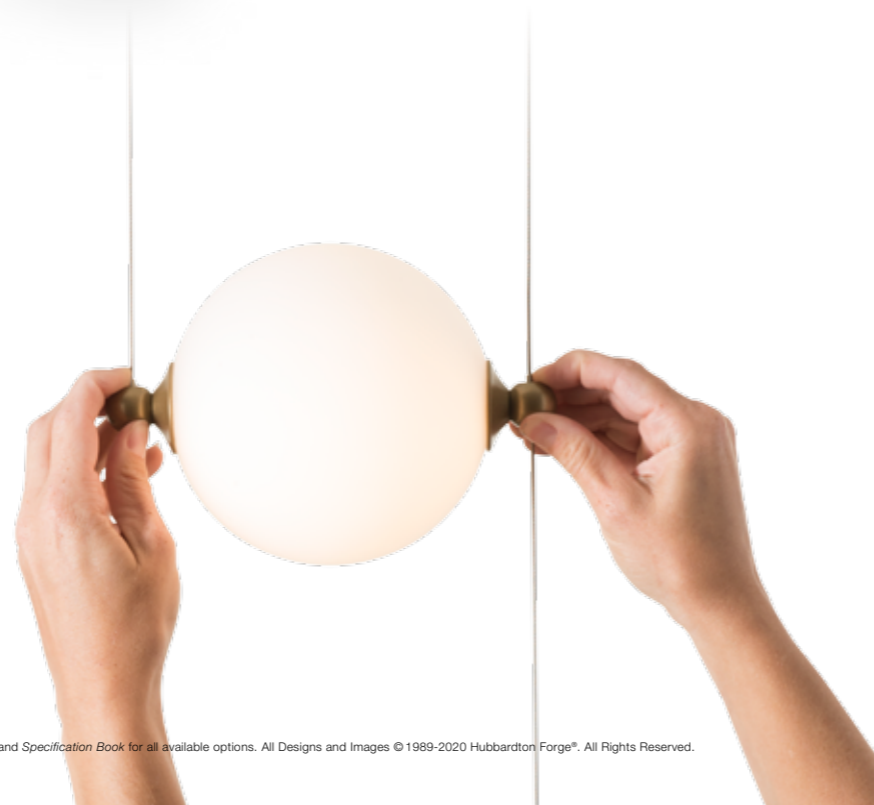


## CUSTOM OPTIONS

Working with local Vermont artisans, we can create custom colors and shapes to suit any design needs.

## ADJUSTABLE

True to its namesake, the Abacus moves up and down its cable "rails" by virtue of tiny grippers on each side, that when squeezed, free the globe to slide and stop exactly where you want to position it.

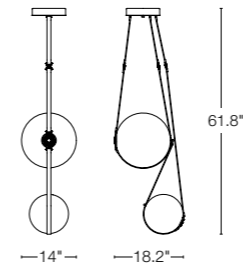




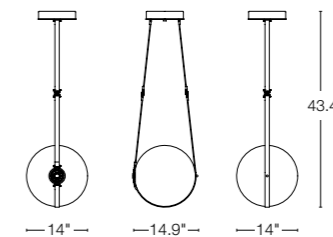
*left & below* - **DERBY 2-LIGHT** - 131045  
61.8" h x 18.2" w x 14" d - dedicated LED lamping  
SHOWN: CHESTNUT LEATHER

# DERBY

CONTEMPORARY CRAFTSMANSHIP AT ITS VERY BEST, DERBY LED PENDANT DESIGNS FEATURES LEATHER STRAPS FROM A NEW ENGLAND ARTISAN, GLASS SPHERES, AND IMPRESSIVE BRASS FITTINGS FEATURING OUR MAKER'S MARK.

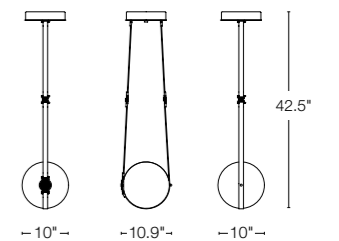


**DERBY LARGE** - 131042  
43.4" h x 14.9" w x 14" d - dedicated LED lamping  
SHOWN: CHESTNUT LEATHER



*Derby fittings can connect and disconnect for desired effect.*

**DERBY SMALL** - 131040  
42.5" h x 10.9" w x 10" d - dedicated LED lamping  
SHOWN: CHESTNUT LEATHER



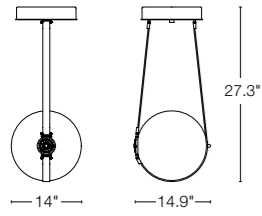
### LEATHER OPTIONS



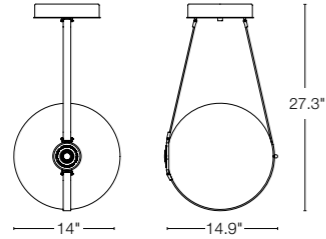
BRITISH BROWN    CHESTNUT

DERBY SEMI-FLUSH SIZES

Derby Semi-flush Small  
121047



Derby Semi-flush Large  
121049



DERBY PENDANTS AND SEMIFLUSH  
COME WITH SET LEATHER LENGTHS.  
SEE SPECIFICATION BOOK FOR  
DETAILS. CUSTOMIZED LENGTHS  
ARE AVAILABLE.

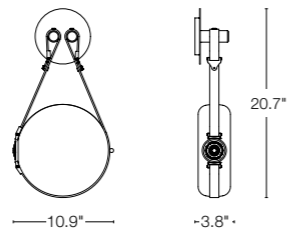


**DERBY SEMI-FLUSH LARGE** - 121049  
27.3" h x 14.9" w x 14"d - dedicated LED lamping  
SHOWN: BRITISH BROWN LEATHER

LEATHER OPTIONS



BRITISH BROWN    CHESTNUT



**DERBY SCONCE** - 201030  
20.7" h x 10.9" w x 3.8" proj - ADA - dedicated LED lamping  
SHOWN: BRITISH BROWN LEATHER

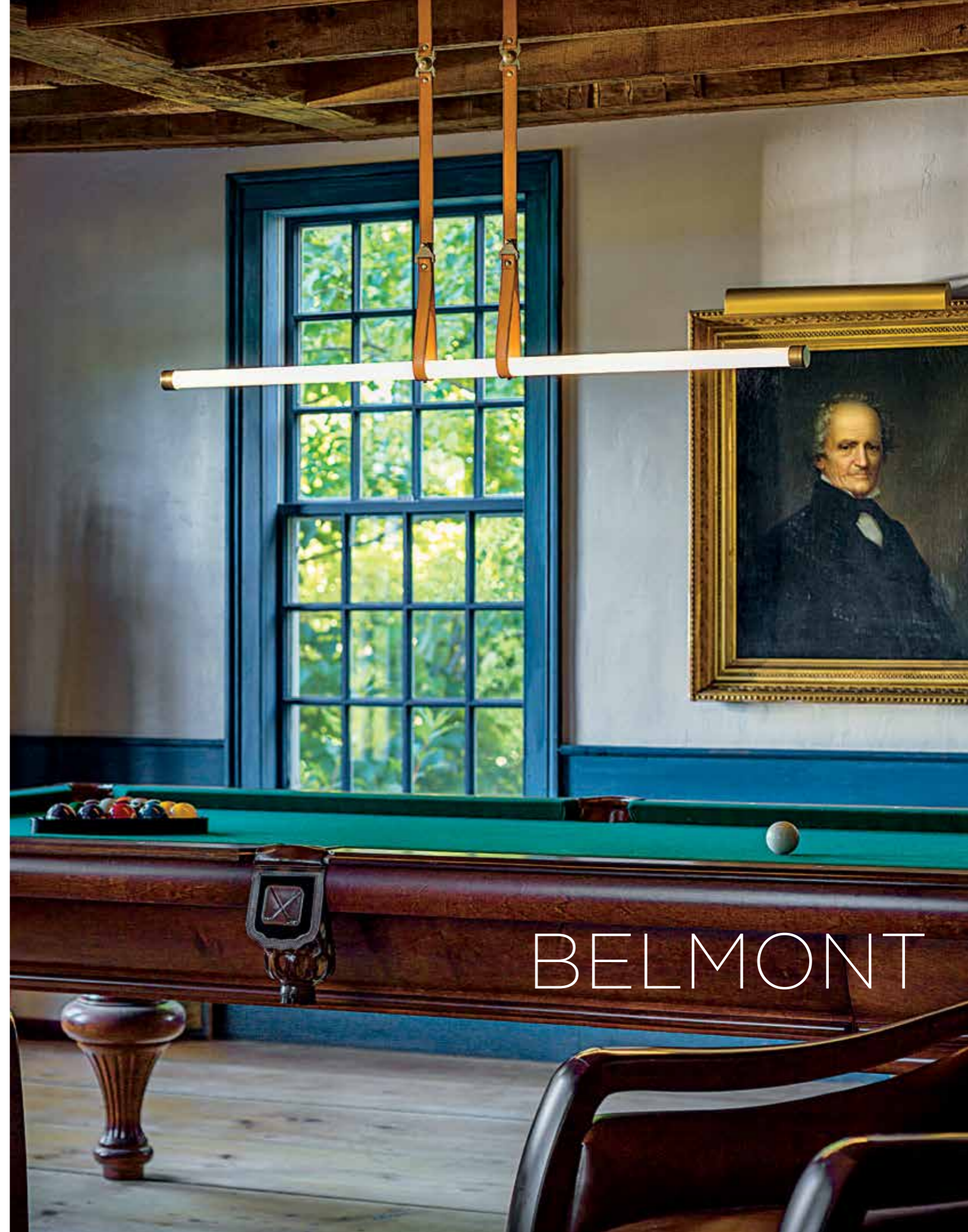
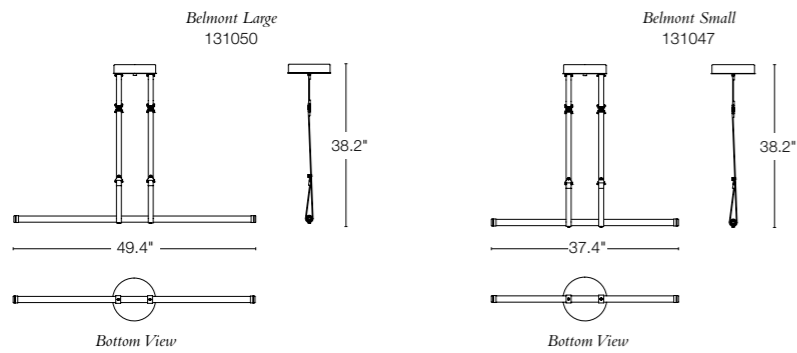




BRITISH BROWN CHESTNUT

**BELMONT LARGE** - 131050  
38.2" h x 49.4" w x 1.6" d - dedicated LED lighting  
SHOWN: BRITISH BROWN LEATHER

BELMONT SIZES AVAILABLE

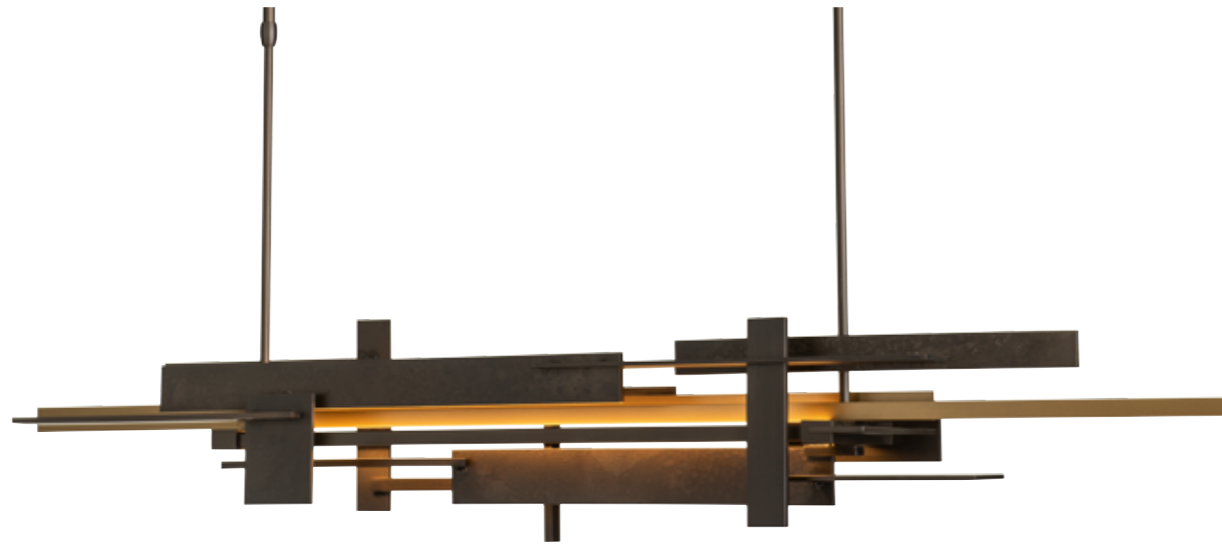


BELMONT

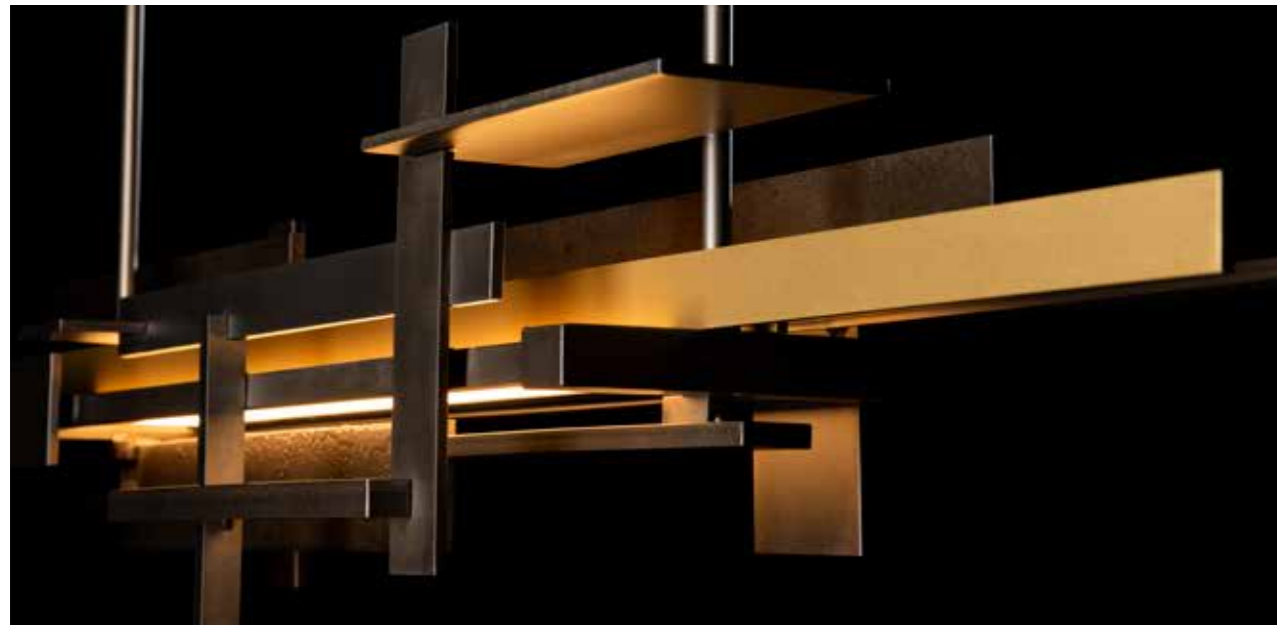
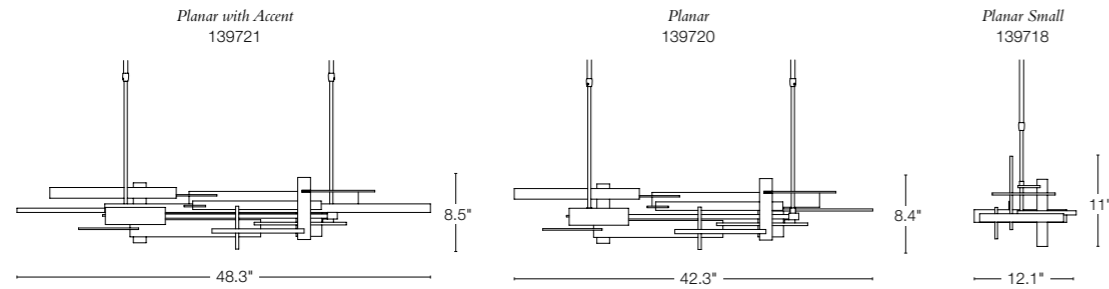
BELMONT PENDANTS ARE AVAILABLE  
IN FIXED HEIGHTS OF 32.2" SHORT,  
38.2" STANDARD, AND 57.2" LONG.  
SHORTER OR LONGER LEATHER  
LENGTHS CAN BE CUSTOM ORDERED.

**PLANAR WITH ACCENT** • 139721  
8.5" h x 48.3" w x 8.5" d • dedicated LED lighting  
SHOWN: DARK SMOKE FINISH WITH GOLD ACCENT

# PLANAR



PLANAR DESIGNS AVAILABLE



# ORION

**ORION LINEAR** • 136435  
21.9" h x 50.2" w x 8.6" d • B bulbs (6), 60W max  
SHOWN: DARK SMOKE FINISH



**ORION LARGE** - 136433  
30.9" h x 30.2" w x 5.3" d - B bulbs (2), 60W max  
SHOWN: DARK SMOKE FINISH



**ORION MEDIUM** - 136430  
21.9" h x 21.2" w x 5.4" d - B bulbs (2), 60W max  
SHOWN: BURNISHED STEEL FINISH



**ORION 3-PIPE TRIPLE** - 136439  
30.9" h x 30.2" w x 14.2" d - B bulbs (5), 60W max  
SHOWN: GOLD FINISH



**ORION 1-PIPE TRIPLE** - 136437  
31.1" h x 30.4" dia - B bulbs (6), 60W max  
SHOWN: DARK SMOKE FINISH





**MOBIUS 12-LIGHT**  
 134510 • 19.6" h x 38.1" dia  
 G9 sockets (12), 25 W max  
 SHOWN: GOLD FINISH



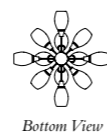
*Bottom View*



# MOBIUS



**ENSEMBLE 12-LIGHT** • 134515  
 17.6" h x 35" dia • A19 bulbs (12), 60 W max  
 SHOWN: DARK SMOKE FINISH



*Bottom View*

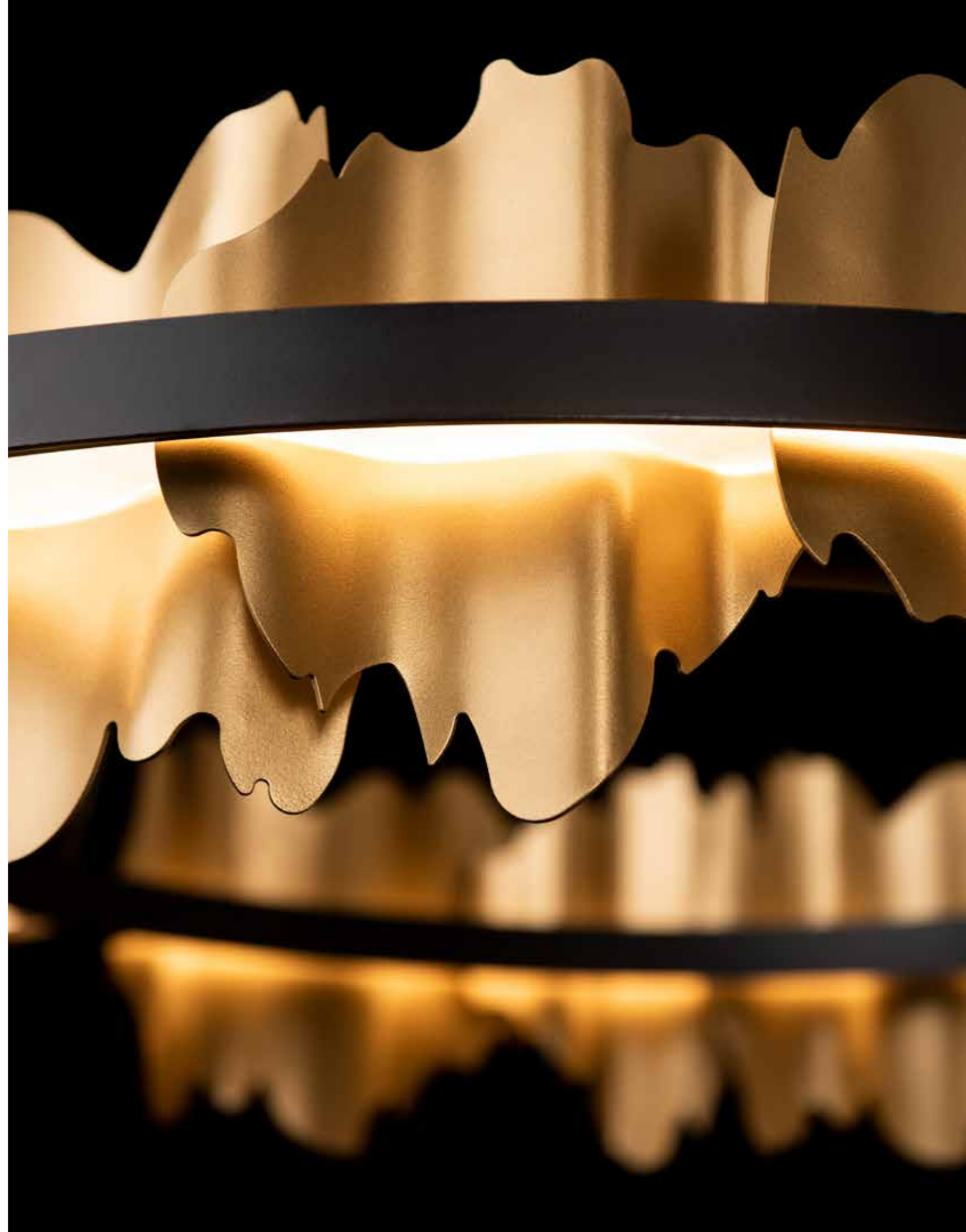
# ENSEMBLE

**HILDENE CIRCULAR** - 139653  
8.7" h x 38" dia - dedicated LED lighting  
SHOWN: BLACK FINISH WITH GOLD ACCENT



# HILDENE

HILDENE IS OLD ENGLISH FOR  
"HILL AND VALLEY WITH STREAM."  
OUR HILDENE DESIGNS FEATURE  
METAL PLATES CRAFTED INTO  
DRAMATIC HILLS AND VALLEYS,  
LIT WITH LED PANELS



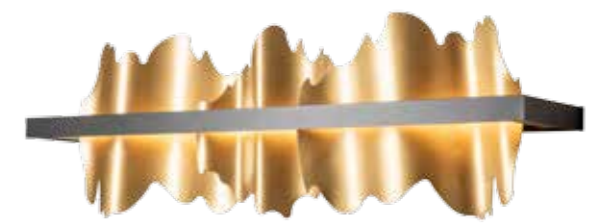




**HILDENE LARGE** - 139652  
8.6" h x 51.9" w x 5.3" d - dedicated LED lamping  
SHOWN: BURNISHED STEEL WITH VINTAGE PLATINUM ACCENTS



**HILDENE SMALL** - 139651  
8.6" h x 25.5" w x 5.3" d - dedicated LED lamping  
SHOWN: BURNISHED STEEL WITH GOLD ACCENT



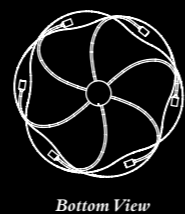
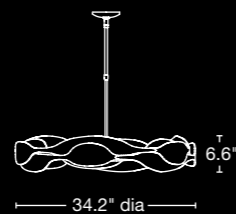
**HILDENE SCONCE** - 207916  
8.7" h x 26" w x 7.4" proj - dedicated LED lamping  
SHOWN: BLACK FINISH WITH GOLD ACCENT

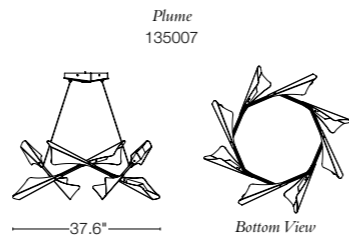
HILDENE DESIGNS ARE AVAILABLE AS TWO-FINISH SOLUTIONS; A BASE FINISH FOR THE LED ENCASMENT AND RODS, AND AN ACCENT FINISH FOR THE PLATES.



# WAVES

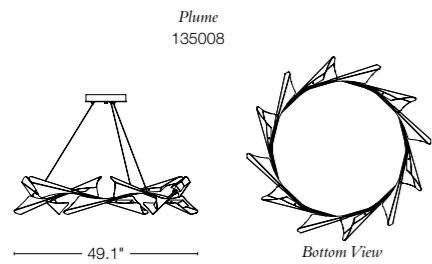
WAVES • 132160  
6.6" h x 34.2" dia • B bulbs (6), 60 W max  
SHOWN: DARK SMOKE FINISH



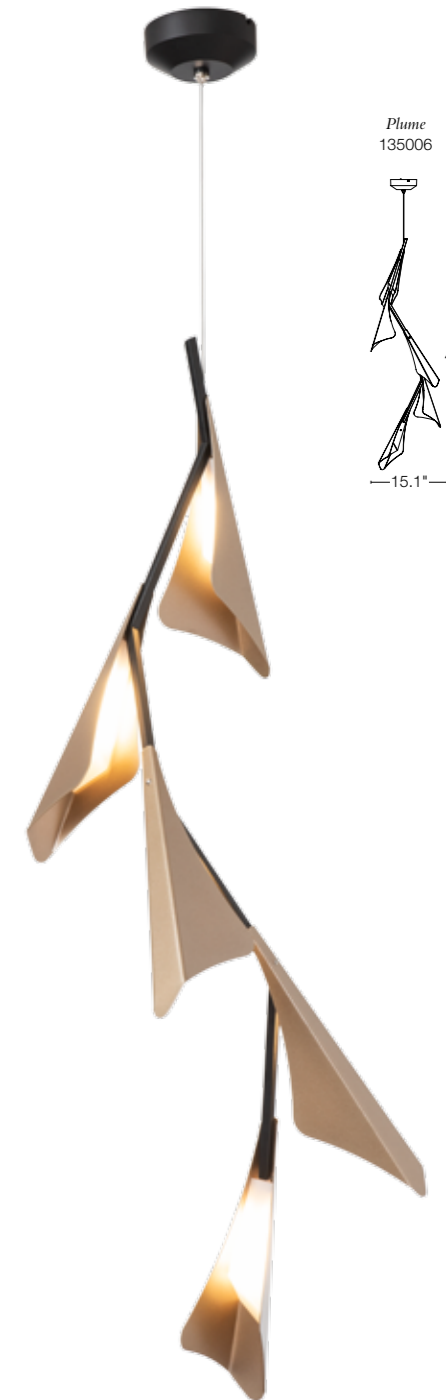


**PLUME** • 135007  
14.6" h x 37.6" dia • dedicated LED lamping  
SHOWN: BLACK FINISH WITH GOLD ACCENTS

# PLUME



**PLUME** • 135008  
10" h x 49.1" dia • dedicated LED lamping  
SHOWN: VINTAGE PLATINUM



**PLUME** • 135006  
48.9" h x 15.1" w x 14.7" dia • dedicated LED lamping  
SHOWN: BLACK FINISH WITH SOFT GOLD ACCENTS

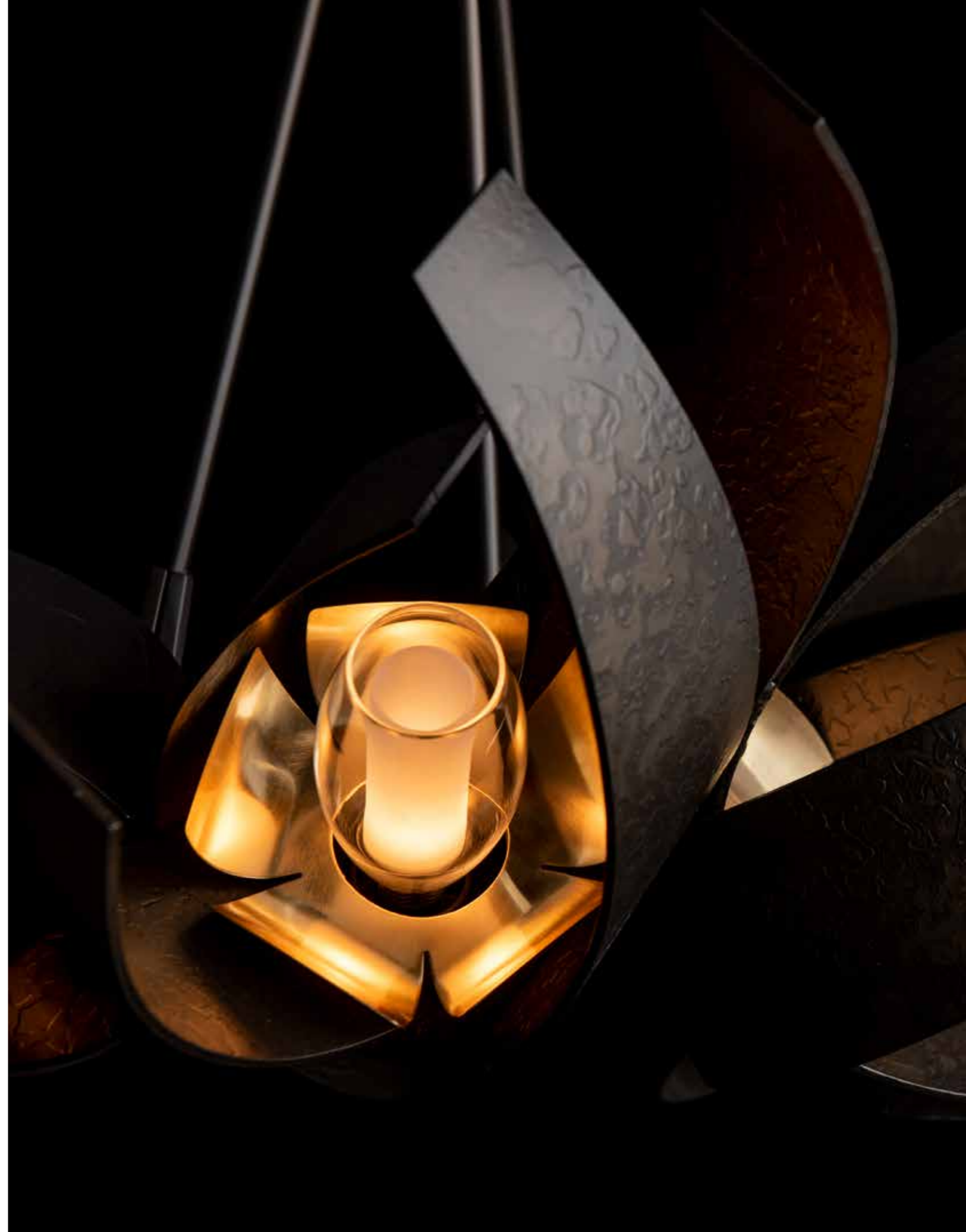
OUR ENCHANTING NEW CORONA  
PENDANT FEATURES DELICATE BRASS  
PETALS THAT REFLECT AND REFRACT  
THE LIGHT IT EMBRACES, CREATING A  
WARM GOLDEN GLOW



**CORONA** - 136502  
21" h x 26.9" dia - G9 bulbs (6), 40 W max  
SHOWN: DARK SMOKE FINISH



# CORONA

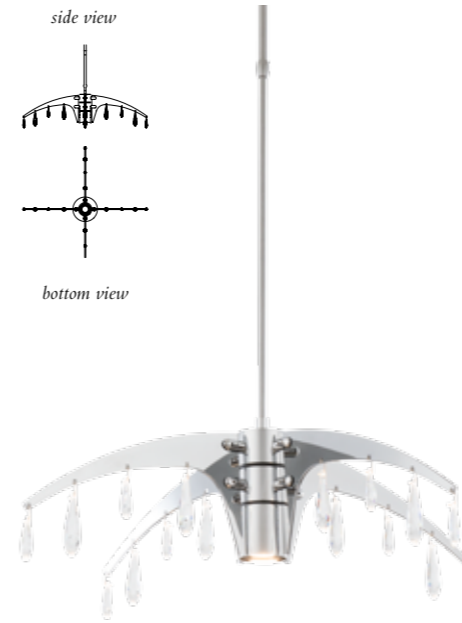




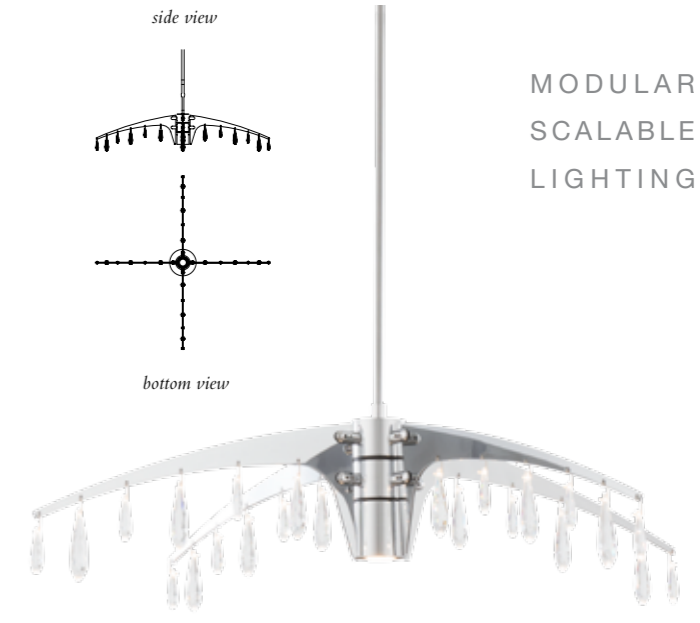
# RAIN



MODULAR  
SCALABLE  
LIGHTING



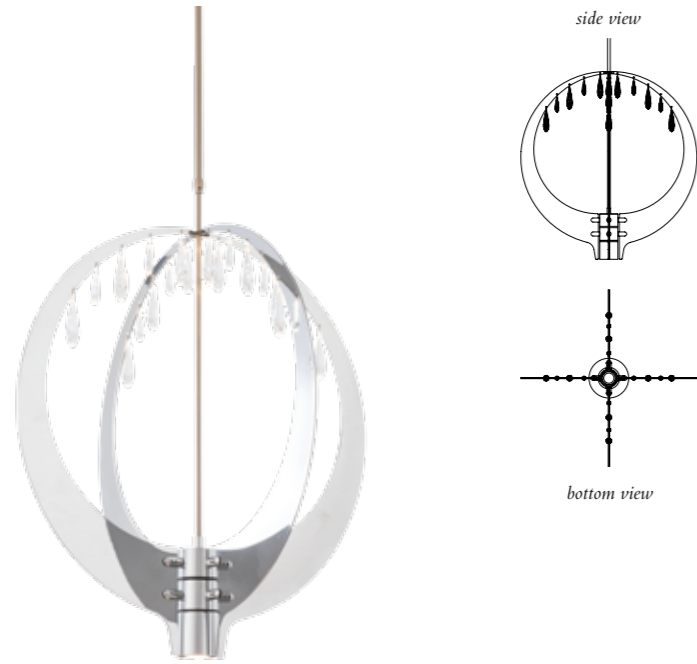
**RAIN STAR SMALL** - 139001  
Chrome pendant with 16 LED-lit Swarovski briolettes  
7.6" h x 27.9" dia - MR-16 bulb, 6.5 W max  
SHOWN: VINTAGE PLATINUM PIPE AND CANOPY



**RAIN STAR LARGE** - 139002  
Chrome pendant with 24 LED-lit Swarovski briolettes  
7.8" h x 36.1" dia - MR-16 bulb, 6.5 W max  
SHOWN: VINTAGE PLATINUM PIPE AND CANOPY



**RAIN LINEAR** - 139003  
Chrome pendant with 33 LED-lit Swarovski briolettes  
8.4" h x 56.1" w x 28" d - MR-16 bulbs (2), 6.5 W max  
SHOWN: BLACK PIPES AND CANOPY



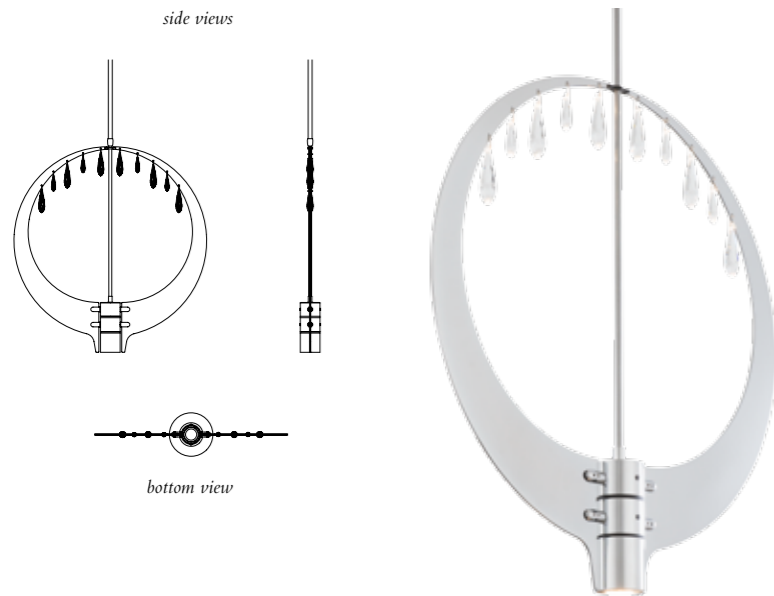
**RAIN ORB** • 139005  
 Chrome pendant with 20 LED-lit Swarovski briolettes  
 26.1" h x 24.4" dia • MR-16 bulb, 6.5 W max  
 SHOWN: GOLD PIPE AND CANOPY



## TECHNOLOGY & DESIGN



US PATENT 7,018,083 B2, SWAROVSKI®



**RAIN CIRCULAR** • 139004  
 Chrome pendant with 10 LED-lit Swarovski briolettes  
 26.1" h x 24.4" w x 2.5" d • MR-16 bulb, 6.5 W max  
 SHOWN: VINTAGE PLATINUM PIPE AND CANOPY

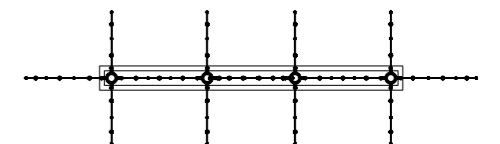
Integrated LED hooks are offered in a choice of a warm 3000K (shown above, left) or cool 5000K (shown above, right) color temperature. Standard MR16 LED bulbs (for downlight in each Rain Pendant) are also available in the same CCTs and will be included with the fixture. Integrated hooks and bulb(s) are dimmable independently of each other, creating a perfectly lit environment in any setting.





## CUSTOMIZATION

The Rain Pendants' modular design can be customized to the needs of any space. From custom steel designs to a choice of exquisite crystals from Swarovski®, the Rain will enhance the beauty of its environment.



*bottom view*

**GOSSAMER CIRCULAR** - 139656  
11.5" h x 38" dia - dedicated LED lighting  
SHOWN: BLACK FINISH WITH GOLD ACCENTS

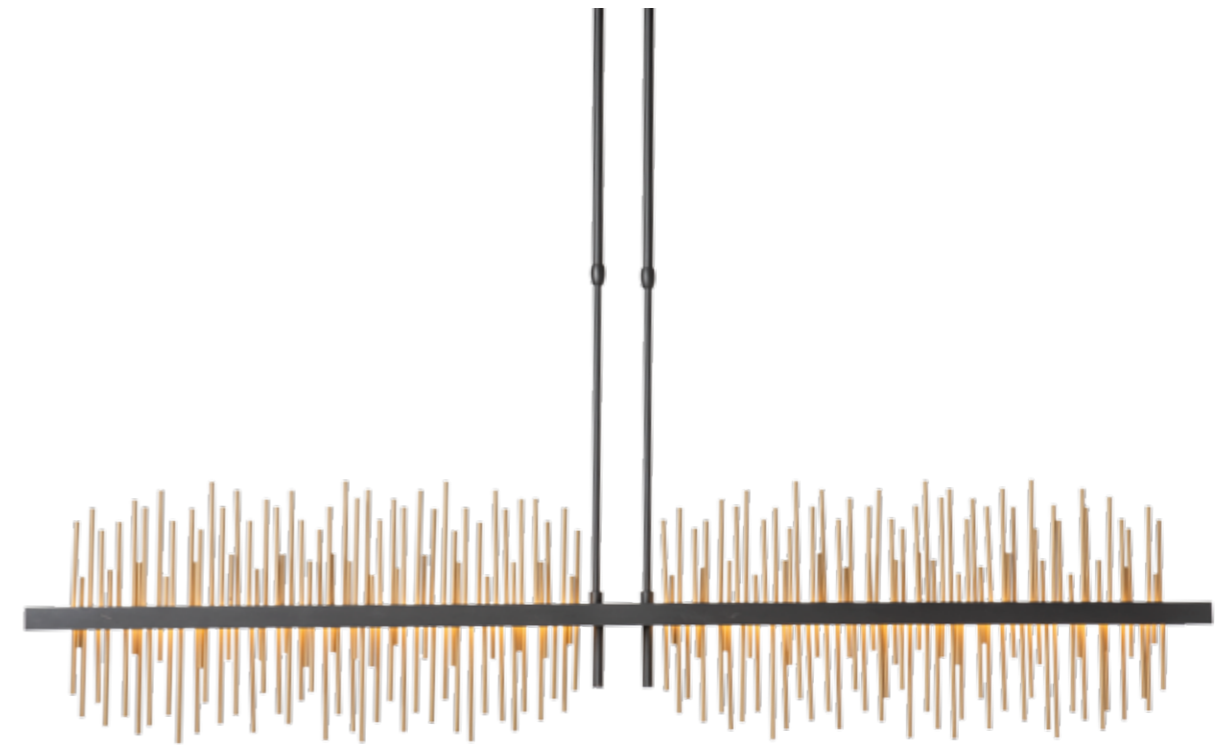
OUR NEW GOSSAMER DESIGNS  
FEATURE A MULTITUDE OF THIN  
SPIRES THAT PLAY OFF EACH OTHER  
TO GLAMOROUS EFFECT.



# GOSSAMER





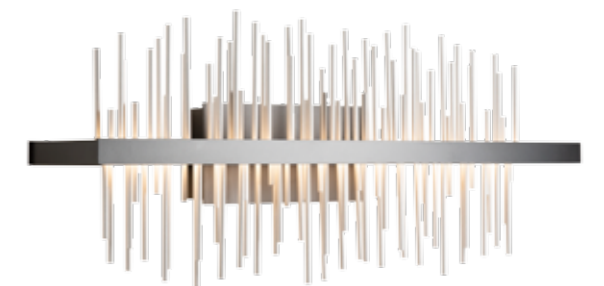


**GOSSAMER LARGE** • 139655  
11.5" h x 51.9" w x 5.3" d • dedicated LED lighting  
SHOWN: BLACK FINISH WITH GOLD ACCENTS



**GOSSAMER** • 139654  
11.5" h x 25.5" w x 5.3" d • dedicated LED lighting  
SHOWN: BLACK FINISH WITH GOLD ACCENTS

GOSSAMER DESIGNS ARE AVAILABLE AS TWO-FINISH SOLUTIONS; A BASE FINISH FOR THE LED ENCASMENT AND RODS, AND AN ACCENT FINISH FOR THE SPIRES.



**GOSSAMER SCONCE** • 207917  
11.5" h x 26" w x 7.4" proj • dedicated LED lighting  
SHOWN: BLACK FINISH WITH VINTAGE PLATINUM ACCENTS

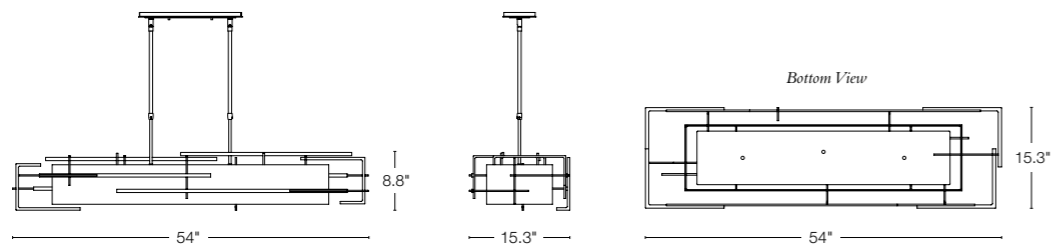
SLING • 139825  
36.2" h x 34.2" w x 8.6" d • dedicated LED lamping  
SHOWN: DARK SMOKE FINISH  
NOTE: TWO SLING PENDANTS AT RIGHT

# SLING





**ETCH** - 136390  
 8.8" h x 54" w x 15.3" d - A19 bulbs (4), 60W max  
 SHOWN: DARK SMOKE FINISH



**ETCH PENDANT SHADE COLOR OPTIONS**

LIT					
UNLIT					
	DOESKIN	FLAX	NATURAL ANNA	LIGHT GREY	MEDIUM GREY

*Warmest to Coolest Shade Colors with Natural Anna being our most neutral white*



ETCH

HENRY





OUR POPULAR HENRY PENDANTS  
ARE NOW AVAILABLE WITH A  
VARIETY OF GLASS AND METAL  
SHADE OPTIONS.



**HENRY WITH GLASS SHADE SMALL** - 184253  
7.3" h x 9.2" dia - A19 bulb, 100W max  
SHOWN: VINTAGE PLATINUM FINISH



**HENRY WITH CHAMFER SHADE** - 136341  
12.4" h x 18.5" dia - A19 bulbs (4), 60W max  
SHOWN: BLACK FINISH WITH GOLD ACCENT SHADE



**HENRY WITH CHAMFER SHADE** - 184251  
9.2" h x 10" dia - A19 bulb, 100W max  
SHOWN: BLACK FINISH WITH POLISHED CHROME ACCENT SHADE

ATLAS PENDANTS 187462 AND 137462 FEATURE OPAL BOTTOM GLASS DIFFUSERS.

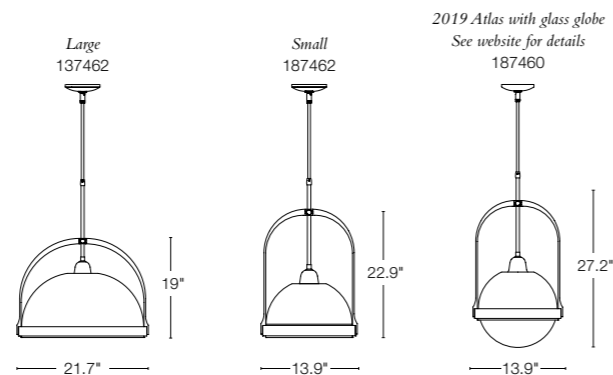


**ATLAS - 187462**  
22.9" h x 13.9" w x 13.4" d - A19, 100W max  
SHOWN: BLACK FINISH WITH POLISHED CHROME ACCENT SHADE



**ATLAS - 137462**  
19" h x 21.7" w x 21.2" d - A19, 100W max  
SHOWN: BLACK FINISH WITH GOLD ACCENT SHADE

ATLAS PENDANT SIZES



*2019 Atlas with glass globe*  
See website for details  
187460

# ATLAS



# SPIRE



# SUMMIT



**SPIRE** - 134504  
13.7" h x 11.6" dia - A19 bulb, 100W max  
SHOWN: BLACK FINISH WITH POLISHED CHROME ACCENT SHADE



**SUMMIT** - 134502  
13.7" h x 12.8" dia - A19 bulb, 100W max  
SHOWN: BLACK FINISH WITH POLISHED CHROME ACCENT SHADE

# CAIRN

THE LATEST ADDITION TO THE CAIRN  
COLLECTION FEATURES A LARGE  
METAL TOP DISC.



**CAIRN** - 139971  
4" h x 15.9" dia - dedicated LED lighting  
SHOWN: DARK SMOKE FINISH

# FRITZ



THE FRITZ PENDANT LARGE  
JOINS THE 2020 FRITZ  
COLLECTION, WITH A NEW,  
LARGER, UNIQUELY-SHAPED  
GLASS, REMINISCENT OF A  
BUBBLE JUST BEING BLOWN.



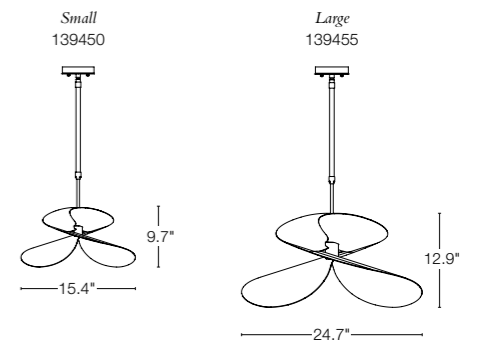
**FRITZ PENDANT LARGE** · 188902  
14.5" h x 8.3" dia · MR16 bulb, 35W max  
SHOWN: BLACK FINISH



**HIBISCUS SMALL** · 139450  
9.7" h x 15.4" w x 13.7" d · A19, 100W max  
SHOWN: DARK SMOKE FINISH

## HIBISCUS

### HIBISCUS PENDANT SIZES

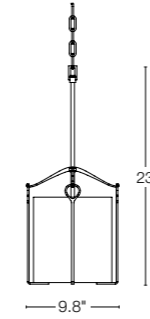




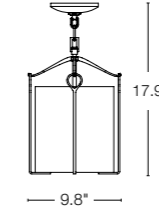


2020 GLASS BOW DESIGNS AVAILABLE

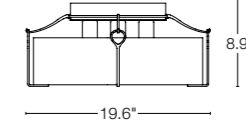
*Bow Mini Pendant*  
104060



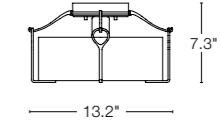
*Bow Semi-flush*  
121140



*Bow Semi-flush Large*  
121149

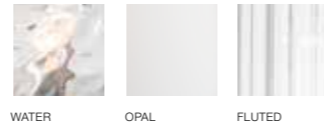


*Bow Semi-flush Medium*  
121142



**BOW SEMI-FLUSH** • 121140  
17.9" h x 9.8" dia - A19 bulb, 100W max  
SHOWN: VINTAGE PLATINUM FINISH AND FLUTED GLASS

GLASS OPTIONS

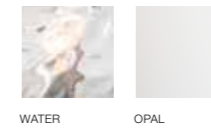


**BOW PENDANT** • 104060  
23" h x 9.8" dia - A19 bulb, 100W max  
SHOWN: VINTAGE PLATINUM FINISH AND WATER GLASS



**BOW SEMI-FLUSH MEDIUM** • 121142  
7.3" h x 13.2" dia - A15 bulb, 60W max  
SHOWN: VINTAGE PLATINUM FINISH AND OPAL GLASS

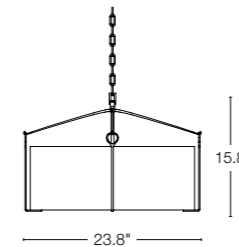
GLASS OPTIONS



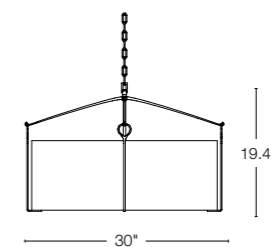
**BOW SEMI-FLUSH LARGE** • 121149  
8.9" h x 19.6" dia - A19 bulbs (4), 60W max  
SHOWN: VINTAGE PLATINUM FINISH AND WATER GLASS

2019 FABRIC BOW DESIGNS AVAILABLE *See website for details*

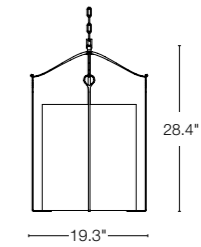
*Bow Pendant with Fabric Shade Small*  
104250



*Bow Pendant with Fabric Shade Large*  
104255



*Bow Pendant with Fabric Shade Tall*  
104260



BOW

*Dahlia flush-mount can also be installed as a wall-hung sconce.*



**DAHLIA FLUSH-MOUNT** • 124350  
10" h x 21.3" dia • A15 bulb, 60W max  
SHOWN: DARK SMOKE FINISH

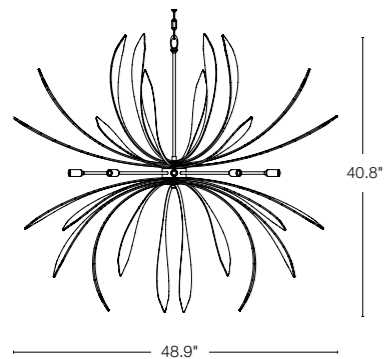


**DAHLIA MINI PENDANT** • 184350  
18.2" h x 21.3" dia • B bulbs (4), 60W max  
SHOWN: VINTAGE PLATINUM FINISH

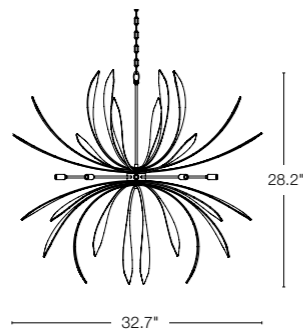
# DAHLIA

## DAHLIA DESIGNS AVAILABLE

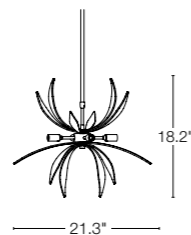
*Dahlia Large*  
104355



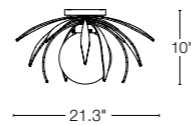
*Dahlia*  
104350



*Dahlia Mini*  
184350



*Dahlia Flush-Mount*  
124350



# TULIP



**TULIP SINGLE WITH HURRICANE GLASS** - 202180  
 15.8" h x 5" w x 3.6" proj - ADA - B bulb, 60 W max  
 SHOWN: BRUSHED NICKEL FINISH WITH FROSTED GLASS



**TULIP DOUBLE WITH HURRICANE GLASS** - 202185  
 24.1" h x 6.4" w x 3.6" proj - ADA - B bulbs (2), 60 W max  
 SHOWN: POLISHED CHROME FINISH WITH CLEAR GLASS



**TULIP SINGLE WITH CRYSTAL GLASS** - 202181  
 14.7" h x 5" w x 3.7" proj - ADA - B bulb, 60 W max  
 SHOWN: POLISHED CHROME FINISH



**TULIP DOUBLE WITH CRYSTAL GLASS** - 202186  
 23" h x 6.9" w x 3.7" proj - ADA - B bulbs (2), 60 W max  
 SHOWN: BRUSHED NICKEL FINISH

TULIP WITH HURRICANE GLASS  
 REFLECTIONS SCONCES ARE AVAILABLE  
 IN BRUSHED NICKEL OR POLISHED  
 CHROME FINISH WITH CLEAR OR FROSTED  
 HURRICANE GLASS.



**TULIP TRIPLE WITH HURRICANE GLASS** - 202190  
 15.9" h x 21.2" w x 6.1" proj - B bulbs (3), 60 W max  
 SHOWN: BRUSHED NICKEL FINISH WITH FROSTED GLASS

TULIP WITH CRYSTAL GLASS REFLECTIONS  
 SCONCES ARE AVAILABLE IN BRUSHED  
 NICKEL OR POLISHED CHROME FINISH  
 WITH CLEAR FACETED GLASS.



**TULIP TRIPLE WITH CRYSTAL GLASS** - 202191  
 14.8" h x 21.7" w x 6.2" proj - B bulbs (3), 60 W max  
 SHOWN: POLISHED CHROME FINISH



**TULIP SINGLE WITH THICK BLOWN GLASS**  
202182 - 13.8" h x 5" w x 4.2" proj - B bulb, 60 W max  
SHOWN: BRUSHED NICKEL FINISH WITH CLEAR GLASS



**TULIP DOUBLE WITH THICK BLOWN GLASS**  
202187 - 22" h x 7.4" w x 4.1" proj - B bulbs (2), 60 W max  
SHOWN: POLISHED CHROME FINISH WITH CLEAR GLASS

TULIP WITH THICK BLOWN GLASS  
REFLECTIONS SCONCES ARE AVAILABLE  
IN BRUSHED NICKEL OR POLISHED CHROME  
FINISH WITH CLEAR OR FROSTED THICK  
BLOWN GLASS.



**TULIP TRIPLE WITH THICK BLOWN GLASS**  
202192 - 13.8" h x 22.3" w x 6.7" proj - B bulbs (3), 60 W max  
SHOWN: POLISHED CHROME FINISH WITH CLEAR GLASS



BANDED 2020  
EXPANDING ONE OF  
OUR MOST POPULAR  
AND TIMELESS DESIGNS  
WITH A CONTEMPORARY  
DOUBLE GLASS OPTION.

**BANDED** - 205894  
12" h x 5" w x 4.2" proj - B8 bulb, 40 W max  
SHOWN: VINTAGE PLATINUM FINISH



**BANDED** - 205814  
12" h x 5" w x 4" proj - ADA - B8 bulb, 40 W max  
SHOWN: BRONZE FINISH

BANDED



# OUR FINISHES

:: Translucent Finishes



MAHOGANY -03

DARK SMOKE -07

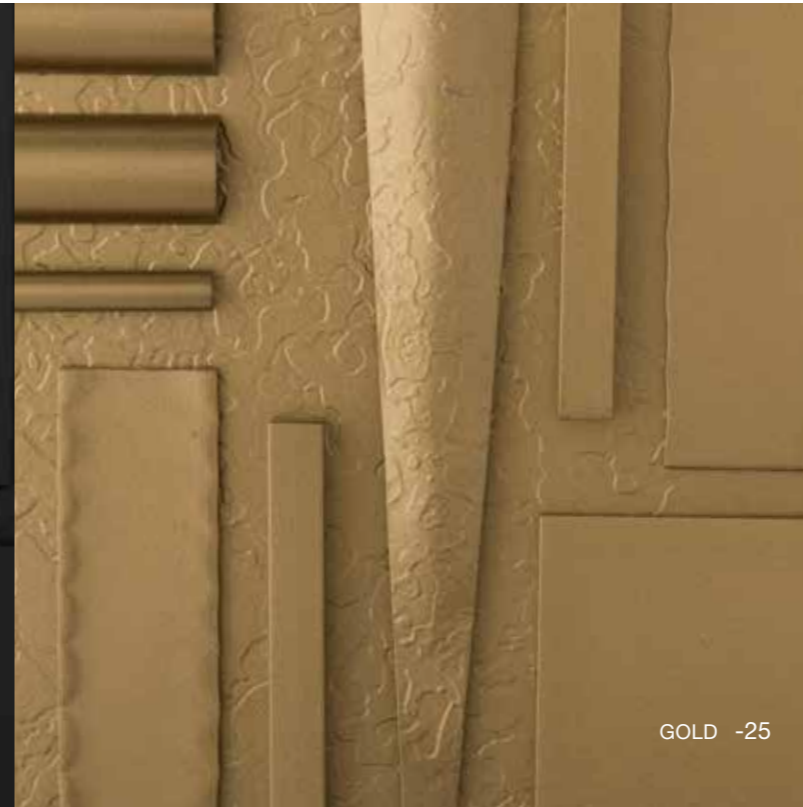
BRONZE -05

BURNISHED STEEL -08

:: Opaque Finishes



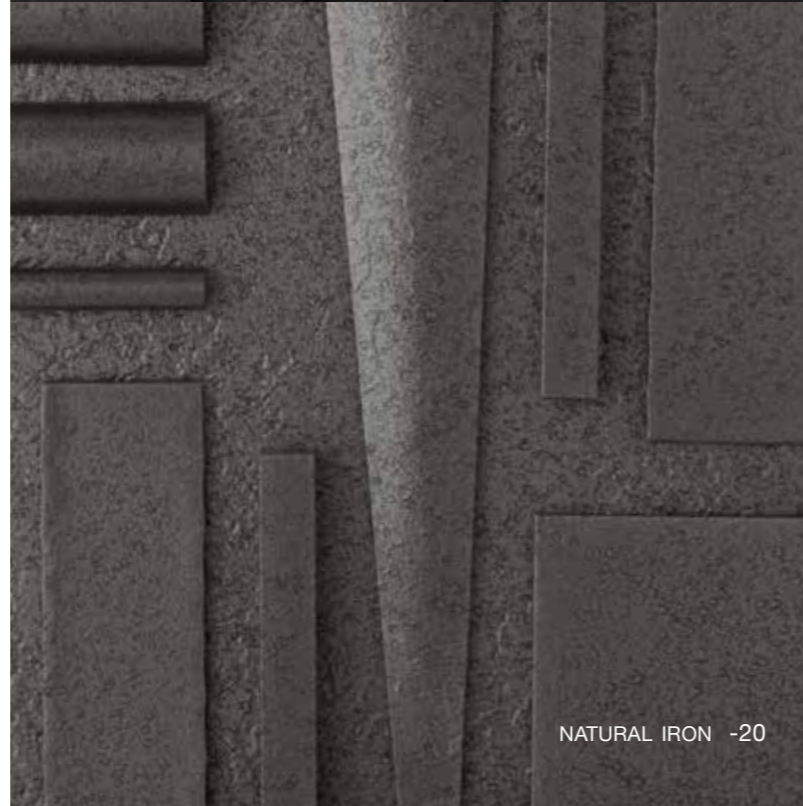
BLACK -10



GOLD -25



SOFT GOLD -84



NATURAL IRON -20



VINTAGE PLATINUM -82



:: Coastal Outdoor Finishes

Formulated to resist harsh environmental conditions

Extensively tested in our salt spray chamber where it's subjected to:

- 100% humidity
- Salinity nearly 50% greater than average sea water

Significantly improved durability

Your choice of six Coastal Outdoor Finishes

5-year Warranty on all Coastal Outdoor Finishes



COASTAL DARK SMOKE -77



COASTAL BRONZE -75



COASTAL BURNISHED STEEL -78



COASTAL NATURAL IRON -20



COASTAL BLACK -10



COASTAL MAHOGANY -73



COASTAL GOLD -70



# OUR COMPANY

## :: Driven by Design

It all happens at the Forge, here in Vermont. Our design team brings a diverse set of talents and knowledge to the creation of each piece. Our artisans use skill, metal and heat to make those designs a reality. After more than four decades, we continue to pair tradition with innovation. We're dedicated to bringing you stunning, finely-crafted designs. It's what sets us apart. It's what drives us.

## :: Innovation & Inspiration

Our designers and craftspeople continue to explore ways to improve products and processes using technology. LED is more than just energy-efficient lighting; it's now often part of the sculpture. And in the forge, investment in technology is a top priority. It allows our artisans to continue to deliver the best products to our customers.

## :: From Vermont to You

Quality and tradition are more than just words to us. We believe uncompromising quality to be a hallmark of excellence in our designs, our products, and our customer service. Our staff of 230 in Castleton, Vermont—designers, engineers, artisans, metalcrafters, finishers, assembly, shipping, customer service, and more—recognizes that Quality Control is the responsibility of each employee, at every touchpoint.

## :: Lifetime Limited Warranty

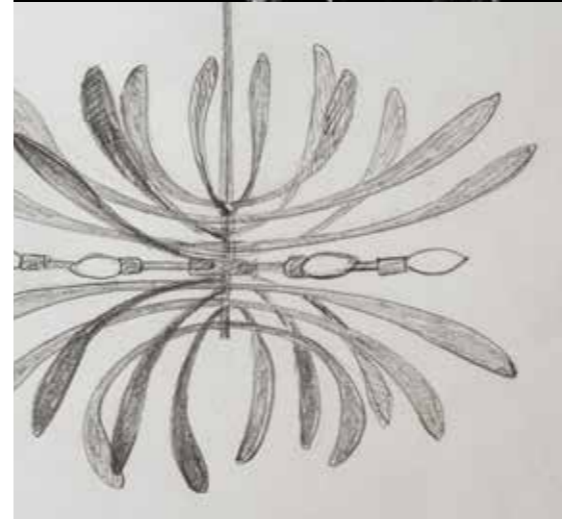
Many companies say they're committed to quality. We back up our commitment. Our best-in-class manufacturing processes keep our customers happy. And, we guarantee our quality with a promise – a Lifetime Limited Warranty for any of our fixtures used in residential settings. We also have a committed and knowledgeable customer service team here in Vermont, ready to assist you by phone or email.

## :: Eco-Conscious Choices

Vermont is the Green Mountain state. We feel it's our duty to keep our mountains green and to extend that commitment well-beyond Vermont's borders. We use eco-friendly manufacturing processes, source domestically and partner locally whenever possible, manufacture using recyclable materials, design with energy efficiency in mind and use innovative technologies to reduce waste.

## :: Custom Projects

The advantages of designing and crafting products domestically, all under one roof, are numerous. The ability to quickly turn around custom requests is critical. Our designers and artisans work together to deliver the custom designs our customers want. Inspired by an existing product, but need it taller, shorter, wider? Custom modifications to our designs can be made just for you by our talented team.



# INDEX

104060.....80	136437.....41	184253.....68-71	302713.....7
121047.....34	136439.....41	184350.....82-83	302714.....9
121049.....34	136502.....52-53	187462.....72	304340.....17
121140.....80	137462.....72-73	188902.....76-77	304342.....17
121142.....81	138913.....20	201030.....34	304344.....17
121145.....81	138915.....20-21	202180.....83-84	305896.....15
124350.....82	139001.....55	202181.....85	305897.....15
131040.....33	139002.....55	202182.....86	305898.....15
131042.....33	139003.....55	202185.....84	305899.....15
131045.....33, 35	139004.....56	202186.....85	305996.....15
131047.....36	139005.....56	202187.....86	305997.....15
131050.....36-37	139050.....28	202190.....84	305998.....15
131300.....23	139053.....28	202191.....85	305999.....15
131303.....23	139055.....29	202192.....86	307281.....16
131305.....22-23	139057.....29	205814.....87	307282.....16
132160.....48-49	139201.....24-25	205894.....87	307283.....16
134502.....74	139450.....77-79	207916.....47	307716.....7
134504.....74	139455.....77	207917.....63	345897.....16
134510.....42-43	139651.....47	289520.....26, 29	354341.....17
134515.....42	139652.....46-47	302507.....4	363008.....9
135006.....51	139653.....44-45	302518.....4-5	363009.....9
135007.....50	139654.....63	302607.....2-3	364201.....10-11
135008.....50	139655.....63	302630.....6	364343.....17
136341.....71	139656.....60-62	302632.....6	364345.....17
136390.....66-67	139721.....38	302641.....12-13	369455.....18-19
136430.....41	139825.....64-65	302643.....13	
136433.....41	139971.....75	302709.....8-9	
136435.....39	184251.....71	302711.....7	

front cover  
**WAVES PENDANT**  
 pages 48-49

inside front cover  
**SPLASH PENDANT**  
 pages 20-21

inside back cover  
**BELMONT PENDANT**  
 pages 36-37

furniture on page 43 by  
**COPELAND FURNITURE**  
 www.copelandfurniture.com

furniture on page 46 by  
**BURLINGTON FURNITURE**  
 www.burlingtonfurniture.us

lifestyle photography by  
**JIM WESTPHALEN PHOTOGRAPHY**  
 www.jimwestphalen.com

We offer a **LIFETIME LIMITED WARRANTY** on all of our products. Contact your local Hubbardton Forge dealer for specific information or visit our website for more information.

Hubbardton Forge products are proudly designed and manufactured in the state of Vermont, U.S.A, using premium domestic and imported materials. We purchase components domestically whenever possible.

The Hubbardton Forge Reflections line is designed and quality controlled in Vermont, USA and produced through a global partnership.

This complete catalog is available online at  
**www.hubbardtonforge.com**

All Designs & Images ©1989–2020 Hubbardton Forge, LLC. All Rights Reserved. Hubbardton Forge is the registered trademark of Hubbardton Forge, LLC.





HUBBARDTON FORGE.

---