

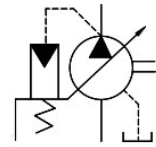
Vane Pump, Pressure Compensated

Model FVP1

Size 1
 Max Flow 12 & 16lpm
 Max Pressure 70Kgf/cm²



Doc No.: f2.0/FVP1R1

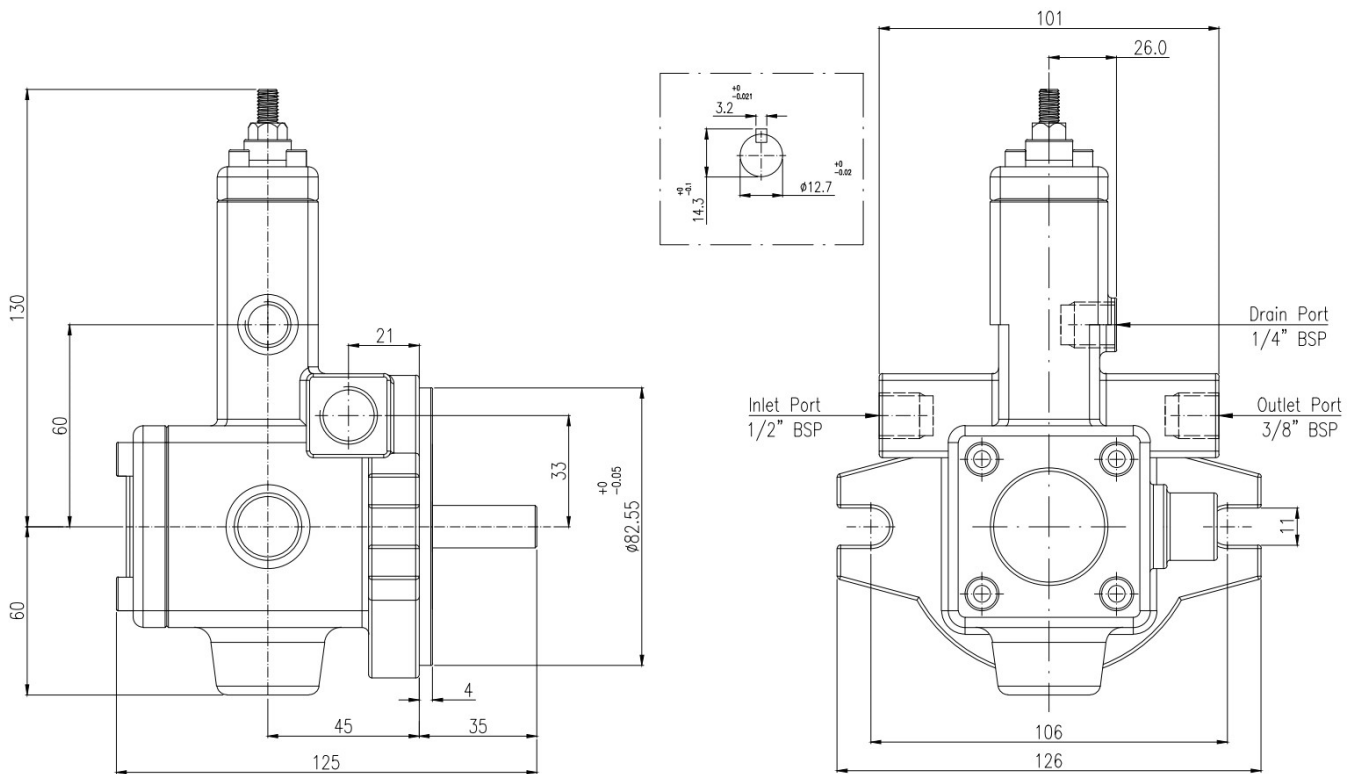


Description & Data

FVP pressure compensated vane pumps are used for energy saving applications in machine tool industry. When the hydraulic system reaches the set pressure, the delivery flow is reduced and the pump operates only to maintain the system pressure. This prevents unnecessary heat addition and also reduces the load on motor. The pump features a low noise design with in-built check valve in the delivery port.

Size		FVP1
Max. Flow	lpm	12 & 16
Max. Pressure	Kgf/cm ²	70
Working Pressure	Kgf/cm ²	15 - 70
Max. Speed	RPM	1800
Oil Grade	Mineral Oil	ISO VG 46 - 100
Oil Cleanliness	ISO 4406	19 / 17 / 14
Operating Temp.	° C	+ 20 to 80
Weight	Kg	5.2

Dimension Data



Ordering Code

FVP1 - 12 - 1x

1x = Series Code

No Code = Max Pressure 70bar

12 = 12lpm (8.3cc/rev)

16 = 16lpm (11.1cc/rev)

FVP1 = FLUIDIK Vane Pump — Size 1

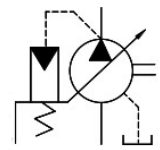
Vane Pump, Pressure Compensated

Model FVP2

Size 2
 Max Flow 24lpm
 Max Pressure 70Kgf/cm²



Doc No.: f2.0/FVP2/R1

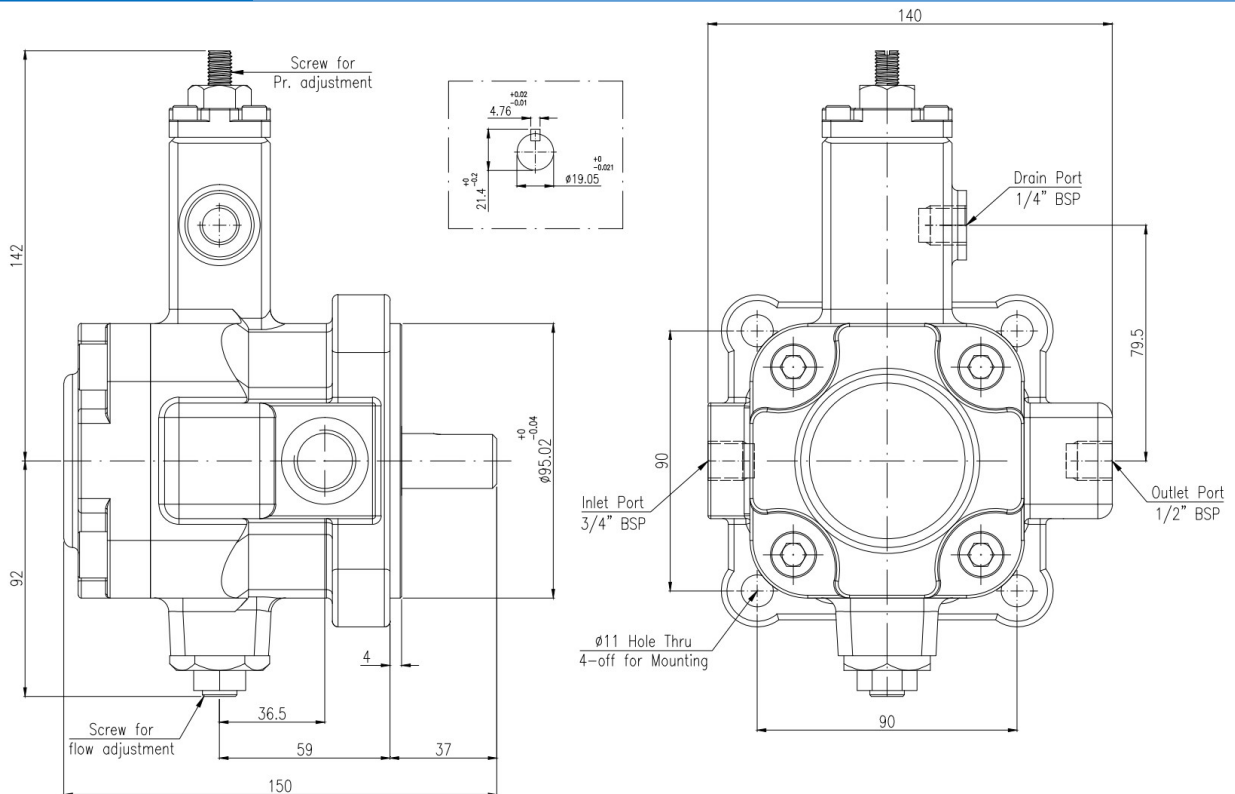


Description & Data

FVP pressure compensated vane pumps are used for energy saving applications in machine tool industry. When the hydraulic system reaches the set pressure, the delivery flow is reduced and the pump operates only to maintain the system pressure. This prevents unnecessary heat addition and also reduces the load on motor. The pump features a low noise design with in-built check valve in the delivery port. A flow adjustment feature is also available in VP2.

Size		FVP2
Max. Flow	lpm	24
Max. Pressure	Kgf/cm ²	70
Working Pressure	Kgf/cm ²	15 - 70
Max. Speed	RPM	1800
Oil Grade	Mineral Oil	ISO VG 46 - 100
Oil Cleanliness	ISO 4406	19 / 17 / 14
Operating Temp.	° C	+ 20 to 80
Weight	Kg	9.5

Dimension Data



Ordering Code

FVP2 - 24 - 1x

1x = Series Code

No Code = Max Pressure 70bar

24 = 24lpm (16.6cc/rev)

FVP2 = FLUIDIK Vane Pump — Size 2