

Gear Pump, External

Model FGP-0P

Size 0
 Max Flow 6.8lpm
 Max Pressure 180Kgf/cm²



Doc No.: f2.0/FGP0/R0

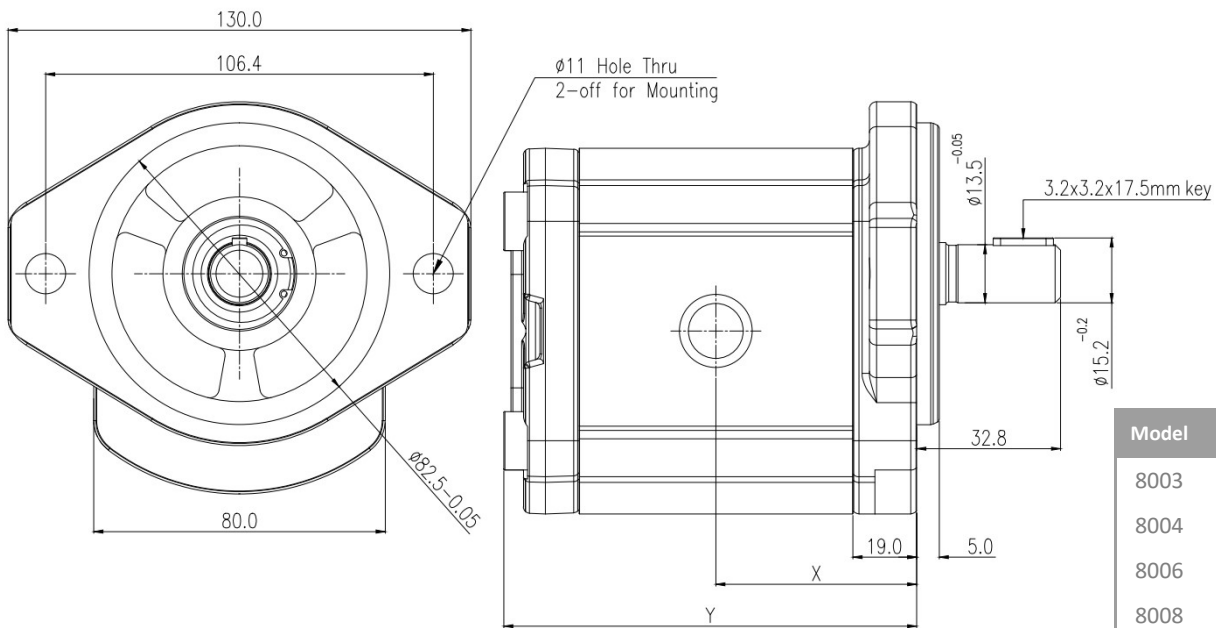


Description & Data

The FGP-0P type external gear pumps use meshing of gears to pump fluid by displacement. It consists of a pair of gears supported by bearings and housing with front and rear covers. The pumps are designed for high efficiencies and are excellent even at low RPM's. The mounting flange is standardised to SAE 2-bolt design & shaft to parallel with key making it interchangeable with most makes across the globe. The pump are ideal for most low to medium pressure applications.

Size	FGP-0	
Max. Flow	lpm	1.2 to 6.8
Max. Pressure	Kgf/cm ²	180
Working Pressure	Kgf/cm ²	< 160
RPM	Min/ Max	500/ 1800
Oil Grade	Mineral Oil	ISO VG 46 - 100
Oil Cleanliness	ISO 4406	19 / 17 / 14
Operating Temp.	° C	+ 20 to 80
Direction	CW	

Dimension Data



Model	X mm	Y mm
8003	38.1	74.2
8004	38.5	75.0
8006	38.9	75.9
8008	39.6	77.2
8011	40.4	78.9
8013	41.1	80.2
8015	41.7	81.4

Ordering Code

FGP-0P - 8003 - 1x

1x = Series Code

Refer table for details

FGP0 = FLUIDIK Gear Pump — Size 0

Model	cc/rev	@1440rpm	Max Pr.	IN - OUT
8003	0.8	1.2lpm	180 bar	3/8" BSP
8004	1.2	1.8lpm	180 bar	3/8" BSP
8006	1.6	2.5lpm	180 bar	3/8" BSP
8008	2.3	3.4lpm	180 bar	3/8" BSP
8011	3.2	4.8lpm	180 bar	3/8" BSP
8013	3.8	5.8lpm	180 bar	1/2" BSP
8015	4.5	6.8lpm	180 bar	1/2" BSP

Gear Pump, External

Model FGP-1P

Size 1
 Max Flow 20lpm
 Max Pressure 180Kgf/cm²



Doc No.: f2.0/FGP1/R0

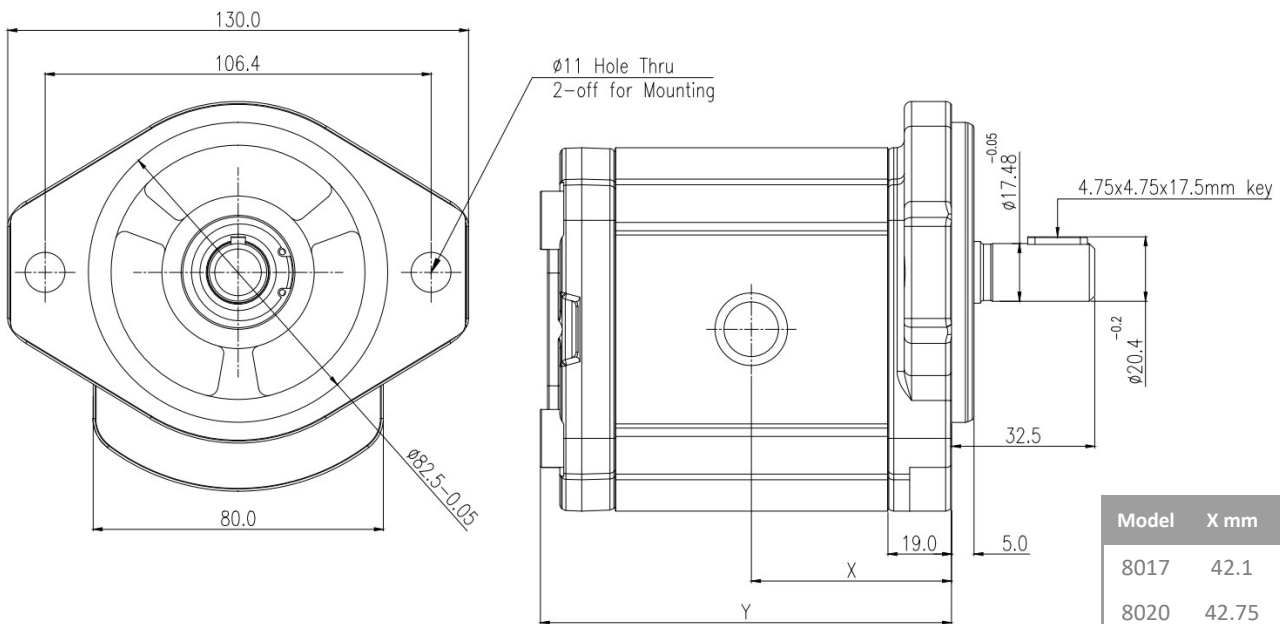


Description & Data

The FGP-1P type external gear pumps use meshing of gears to pump fluid by displacement. It consists of a pair of gears supported by bearings and housing with front and rear covers. The pumps are designed for high efficiencies and are excellent even at low RPM's. The mounting flange is standardised to SAE 2-bolt design & shaft to parallel with key making it interchangeable with most makes across the globe. The pump are ideal for most low to medium pressure applications.

Size	FGP-1P	
Max. Flow	lpm	7.7 to 20
Max. Pressure	Kgf/cm ²	180
Working Pressure	Kgf/cm ²	< 160
RPM	Min/ Max	500/ 1800
Oil Grade	Mineral Oil	ISO VG 46 - 100
Oil Cleanliness	ISO 4406	19 / 17 / 14
Operating Temp.	° C	+ 20 to 80
Direction	CW	

Dimension Data



Model	X mm	Y mm
8017	42.1	86.2
8020	42.75	87.5
8028	44.5	91.2
8036	46.3	94.7
8044	55.3	112.5

Ordering Code

FGP-1P - 8017 - 1x

1x = Series Code

Refer table for details

FGP-1P = FLUIDIK Gear Pump — Size 1

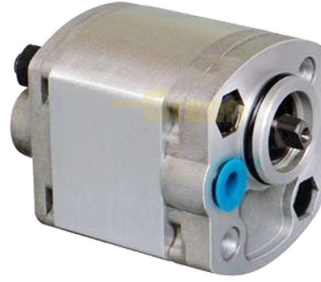
Model	cc/rev	@1440rp	Max Pr.	IN - OUT
8017	5.1	7.7lpm	180 bar	1/2" BSP
8020	6.1	9.1lpm	180 bar	1/2" BSP
8028	8.4	12.7lpm	180 bar	1/2" BSP
8036	10.9	16.4lpm	180 bar	3/4" - 1/2" BSP
8044	13.3	20lpm	180 bar	3/4" BSP

Gear Pump, External Model CBK - F2.1



Doc No.: f2.0/CBK/R0

Max Flow 2.1cc/rev
Max Pressure 250Kgf/cm²

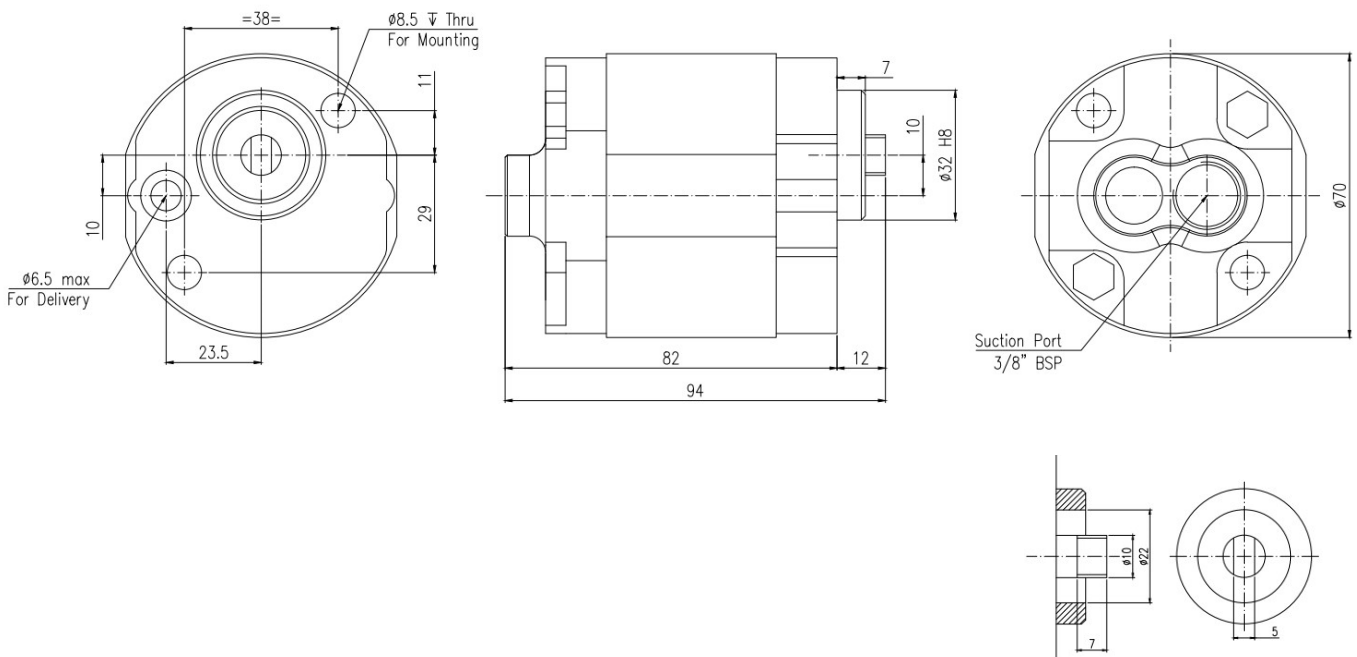


Description & Data

The CBK type external gear pumps use meshing of gears to pump fluid by displacement through mounting shaft side port. It consists of a pair of gears supported by bearings and housing with front and rear covers. The pumps are designed for high efficiencies and are excellent even at low RPM's. These pumps find usage with sandwich manifold type mounting for fork-lifts/ car parking/ tipper and garage equipment applications. The pump is available in rear in and front out configuration.

Size	CBK	
Max. Flow	lpm	3.0
Max. Pressure	Kgf/cm ²	250
Working Pressure	Kgf/cm ²	200
RPM	Min/ Max	500/ 2500
Oil Grade	Mineral Oil	ISO VG 46 - 100
Oil Cleanliness	ISO 4406	19 / 17 / 14
Operating Temp.	° C	+ 20 to 80
Pump Efficiency		> 88%

Dimension Data



Shaft Details

Ordering Code

CBK - F2.1 - 1x

1x = Series Code

2.1cc/rev

CBK = FLUIDIK Gear Pump - Rear IN - Front OUT