

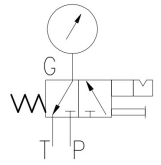
Pressure Gauge Isolator Valve

Model PGI-315

Type 3-way
 Actuation Manual / Push to Read
 Max Pressure 315Kgf/cm²



Doc No.: f2.0/PGI/R0

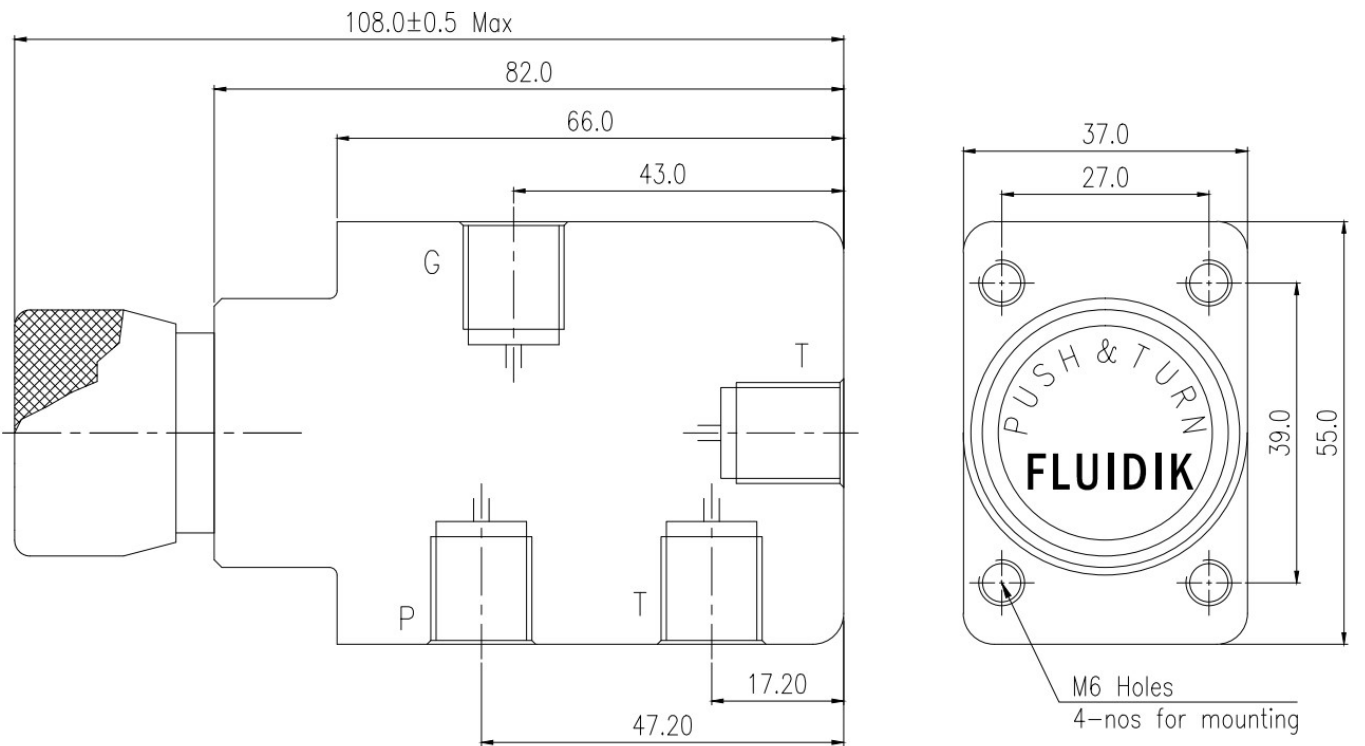


Description & Data

Single-station Gauge Isolator Valves (PGI) are used in hydraulic circuits to read pressures on a periodic/ need basis. These valves ensure that the gauges are isolated from pressure surges & shocks during normal course of operation and thus longevity and accuracy of pressure gauges. The valves may be used for push-to-read or push-turn to enable lock/ detent feature for continuous reading. The valves are panel mountable or line mountable based on requirement.

Model	PGI-315	
Installation Position	Any	
Max. Pressure	Kgf/cm ²	315
Internal Leakage	ml/min	50
Oil Grade	Mineral Oil	ISO VG 32 - 100
Oil Cleanliness	ISO 4406	19 / 17 / 14
Operating Temp.	° C	20 to 80
Weight	Kg	0.75

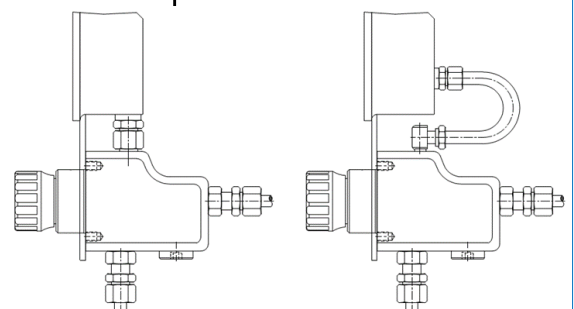
Dimension Data



Ordering Code

PGI	-	315	-	2x	
					Version Number
					315 = Max Operating Pressure 315Kgf/cm ²

Installation Option:



PGI = FLUIDIK Pressure Gauge Isolator