

Minnesota Microscopy Society

Local affiliate of the *Microscopy Society of America*
and the *Microbeam Analysis Society*



Newsletter

December 2000

MMS December Meeting

Thursday, December 14, 2000

Project MICRO Workshop

Organizers:

Stuart McKernan, CIE Microscopy
Center, University of Minnesota, Minneapolis,
MN, 55455; (612) 624-6009, Fax (612) 626-
7530, stuartm@tc.umn.edu

Jean Schlosser, Crane Engineering and Forensic
Services, 3905 Annapolis Lane N.,
Plymouth, MN 55447, (612) 557-9090,
Fax (612) 557-0710, tcrane@skypoint.com

Meeting Location:

Crane Engineering & Forensic Service
3905 Annapolis Lane North
Plymouth, MN

Time: 5:00 PM

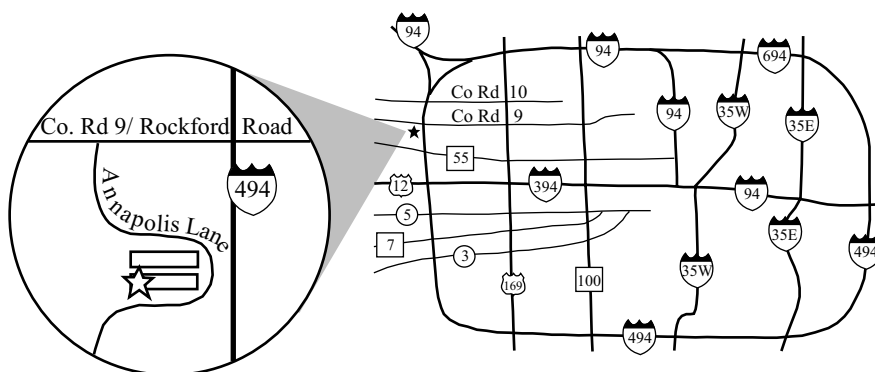
Dinner:

Dinner will be at Crane Engineering. It will be a chicken and rib BBQ buffet with Caesar salad, a vegetable medley, parsley buttered potatoes, rolls and a dessert tray. The cost per member is \$14.20.

To make reservations, contact Jean Schlosser, (612) 557-9090, or tcrane@skypoint.com **by Wednesday December 6, 2000.**

Project MICRO is the Minnesota Microscopy Society's outreach program to bring microscopy into the local grade schools. The Society has a collection of microscopes and materials for school demonstrations. Project MICRO matches members with participating schools, and then provides those members with training and demonstration materials. This is a great opportunity for Society members to help introduce the exciting field of microscopy to the next generation.

This workshop is meant to serve two functions. The first is to introduce members to Project MICRO and the demonstration materials that are available for use. The second is to help refurbish a collection of microscopes that were donated to the Society. The microscope cleaning will begin at 5:00 PM and the training session will begin at 7:00 PM.



Crane Engineering & Forensic Services

Microscopy Community News

WANTED!!

Research Associate: Confocal and Electron Microscopy

The Department of Biological Sciences at Northern Illinois University has an opening for a Research Associate with expertise in Confocal and Electron Microscopy. The successful candidate will be expected to operate our confocal, transmission and scanning electron microscopes and to supervise both students and faculty in their use. Master's degree in Biology, or related field, including at least two years experience; or Bachelor's degree in Biology, or related field, with extensive experience using confocal and electron microscopes in biological or chemical research is required. Ideally, the successful candidate should be able to calibrate and perform routine maintenance on the instruments. Submit letter of interest, resume and three letters of recommendation to: Dr. Michael Parrish, Chair, Department of Biological Sciences, Northern Illinois University, DeKalb, IL 60115-2861; <http://www.bios.niu.edu>; Phone 815-753-1753; Fax 815-753-0461; email: biosjobs@niu.edu. Review of applications will begin January 2, 2001 and continue until the position is filled.

Last MMS Meeting Review

There was a great turnout for the December Minnesota Microscopy Society meeting. It was held at Medtronic in Brooklyn Center. The speaker was Chuck Mooney, of JEOL USA, Inc, and his talk was on scanning probe microscopes. This entire field of microscopy is extremely young. Yet the number of applications that these instruments are being used for is exploding. Chuck covered both the historic and the technical aspects of this expanding field. His presentation was a great introduction to this exciting new field of microscopy.

Upcoming National Meetings

Scanning 2001

Date: May 5-7, 2001
Location: Roosevelt Hotel
 45th at Madison Ave.
 New York City, New York
Sponsor: FAMS, Inc. (Foundation for the Advances in Medicine and Science) and *Scanning, The Journal of Scanning Microscopies*
Contact: Mary K. Sullivan, SCANNING 2001
 201-818-1010; scanning@fams.org, or www.scanning.org

Microscopy and Microanalysis 2001

Date: August 5-9, 2001
Location: Long Beach, California
Sponsor: Microscopy Society of America and Microbeam Analysis Society
Contact: MSA Business Office: 800-538-3672
www.msa.microscopy.com

Upcoming MMS Meetings

February 8 ?? Tour of Physical Electronics ??

March 28 Joint meeting with ASM;
 "Nanomechanical Test Instruments"

April ? Tour of Medtronic

May 4 Spring Symposium
 "Investigative Microscopy"

Sustaining Corporate Members

Sustaining members are the backbone of financial support for the Society. These members make it possible for the Society to support Project Micro, and to cover many expenses of the regular meetings and the Spring Symposium. We greatly appreciate the continued support of these individuals and corporations. To become a Sustaining Member, fill out the MMS membership form at the end of the newsletter.

Randy Beaubien	FEI Company	513-474-4168
Peter Braverman	Cadmet Inc.	800-543-7282
Alex Butzer	North Central Instruments, Inc.	612-559-3008
John Crowe	Denton Vacuum Inc.	609-439-9100
Andrew Davis	Cameca Instruments Inc.	203-459-0623
Lester Engel	Engel Metallurgical Ltd.	320-253-7968
Robert Evans	Ted Pella, Inc.	800-237-3526
Larry Glassman	G. W. Electronics, Inc.	770-449-0707
Greg Halvorson	Solution Partners	612-931-0811
Larry Hanke	Materials Evaluation & Engineering Inc.	612-449-8870
Gary Hawkinson	NORAN Instruments	608-244-7812
John Humenansky	Physical Electronics	952-828-6387
Stacie Kirsch	Electron Microscopy Sciences	800-523-5874
Betsy Larwa	Mager Scientific, Inc.	800-521-8768
Robert Mierzwa	JEOL	920-803-8945
Curt Morrison	Leeds Precision Instruments	612-546-8575
Ruth Murray	Oxford Instruments USA	606-384-9861
Cathy Ryan	Micro Star Technologies	409-291-6891
Gary Saxrud	Fryer Company, Inc.	612-942-6747
Jean Schlosser	Crane Engineering and Forensic Services	612-557-9090
Steven Slap	Energy Beam Sciences, Inc.	413-786-9322
Gary Smith	Katz Analytical Services	612-361-5570
Mary Sullivan	Scanning / FAMS, Inc.	201-818-1010
Gene Taylor	M. E. Taylor Engineering, Inc.	301-774-6246
Roger Teppert	Hitachi Scientific Instruments	847-966-2980
Callie Thomas	Tousimis Research Corp.	301-881-2450
John Treadgold	LEO Electron Microscopy Inc.	847-290-9566
Steve Ziegler	Digital Instruments	512-912-1615

If any Sustaining Members are missing from this list, *please* contact either: Diana Kittleson (651-917-5859, dkittleson@pillsbury.com) or Peter McSwiggen (612- 624-7370, mcswi001@umn.edu)

Your MMS Annual Membership dues are payable in September/October!

All microscopists are urged to support their Society at one of the membership levels offered below. The more dues-paying members we have, the more likely we are to attract sustaining corporate memberships which form the financial backbone of our Society. Often, supervisors will support MMS memberships out of their project budget because they recognize that it is a very inexpensive way to maintain and increase the skills of their microscopists. If you have been a member over the years and recognize the value of MMS to the community of microscopists it serves, consider upgrading your membership this year to the patron or sustaining level. Thank you.

Name _____ Dr _____ Mr _____ Ms _____ Phone (____) _____

Affiliation _____ Position _____

Address _____ ZIP _____

Indicate the method by which you would like to receive the Newsletter: mail _____ e-mail/web _____ both _____

E-mail address _____

Check here _____ if you do NOT want your name and address to appear in the Society directory.

Area of interest: Bioscience _____ Materials Science _____ SEM _____ TEM _____ X-ray _____

Basic \$10 _____ Patron ≥ \$25 _____ Corporate Sustaining \$100 _____ Student \$5 _____

Make checks payable to MMS and mail to our treasurer:**Dwight Erickson, MMS Treasurer, 3M Center, Bldg. 251-1A-03, Saint Paul, MN 55144-1000.**

Minnesota Microscopy Society
Peter McSwiggen, MMS Editor
University of Minnesota
310 Pillsbury Drive, SE,
Minneapolis, MN 55455

December 14:**Project MICRO Workshop**

Forwarding and Address
Correction Requested