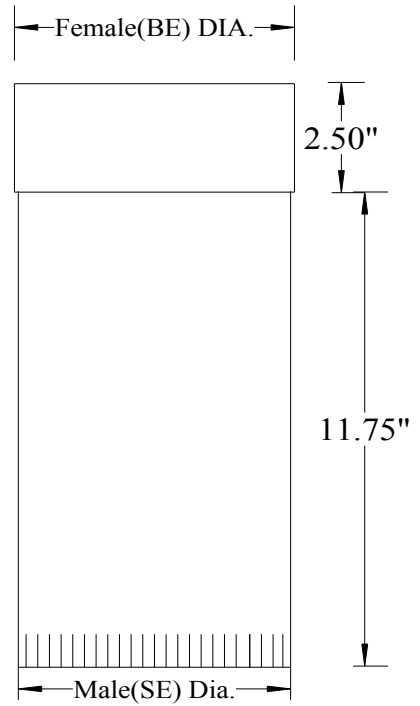
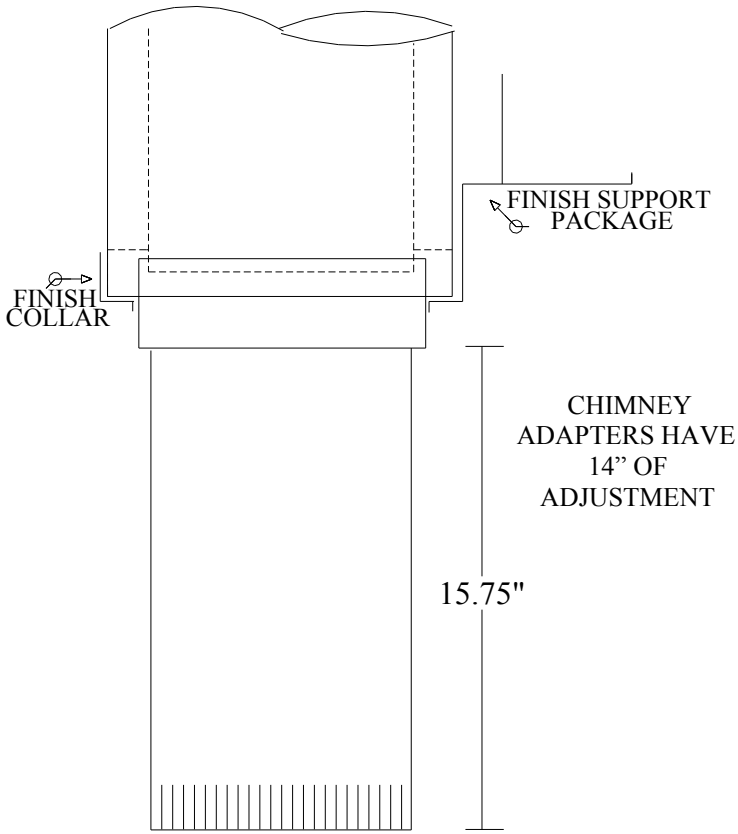
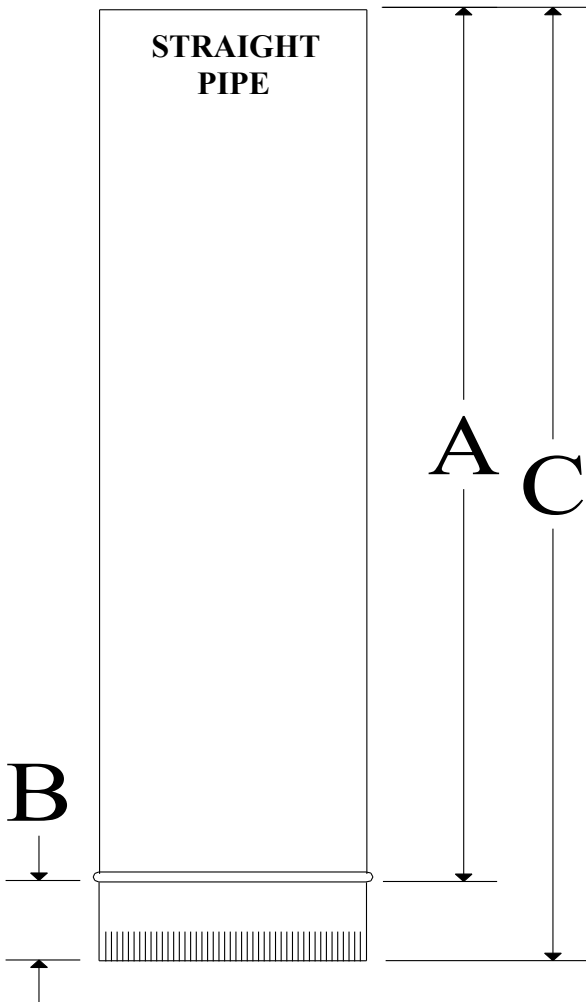


METALBESTOS PIPE



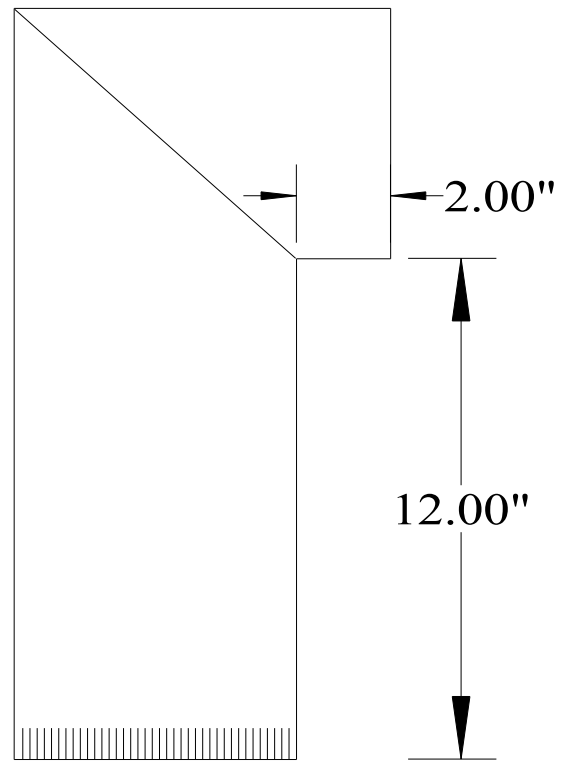
SLIP PIPE AND
SLIP ELBOWS
HAVE 10\"/>

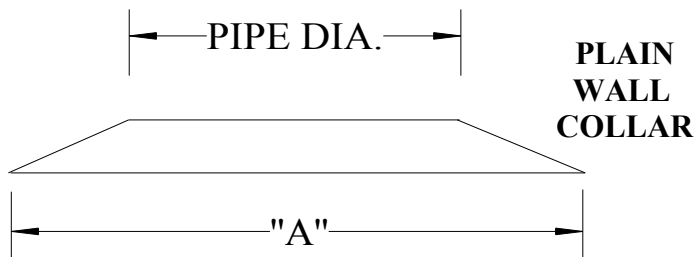
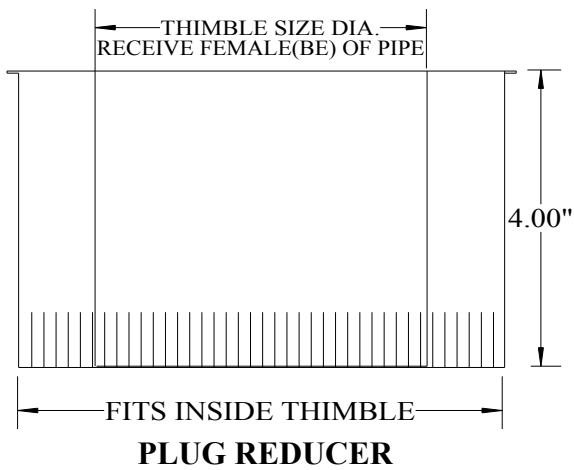
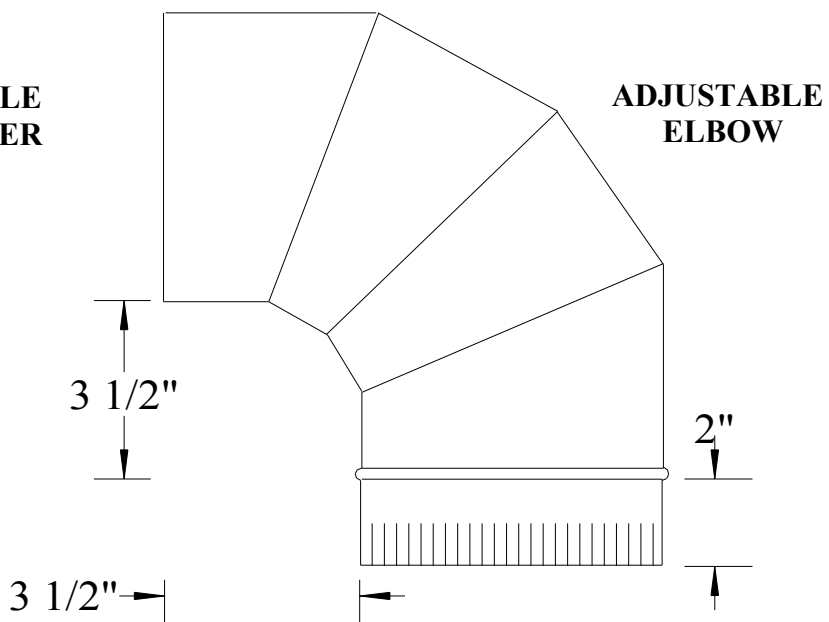
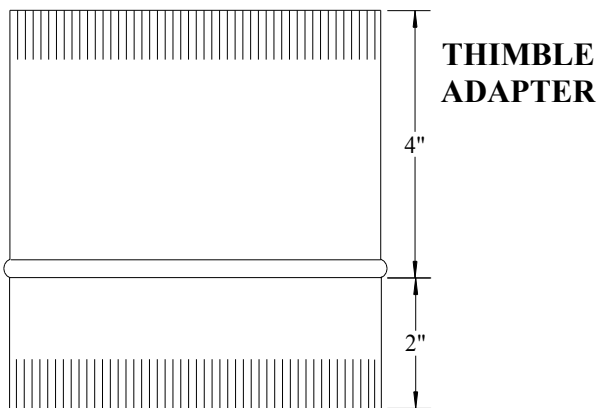
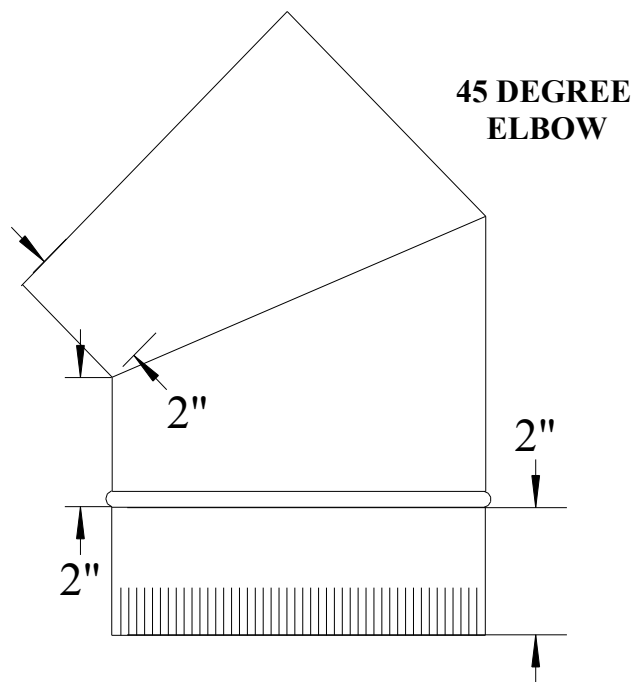
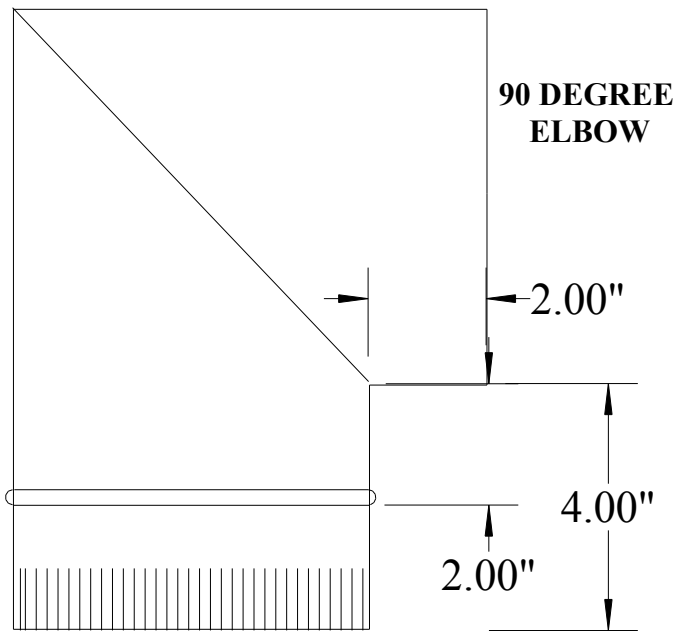
**STRAIGHT
PIPE**



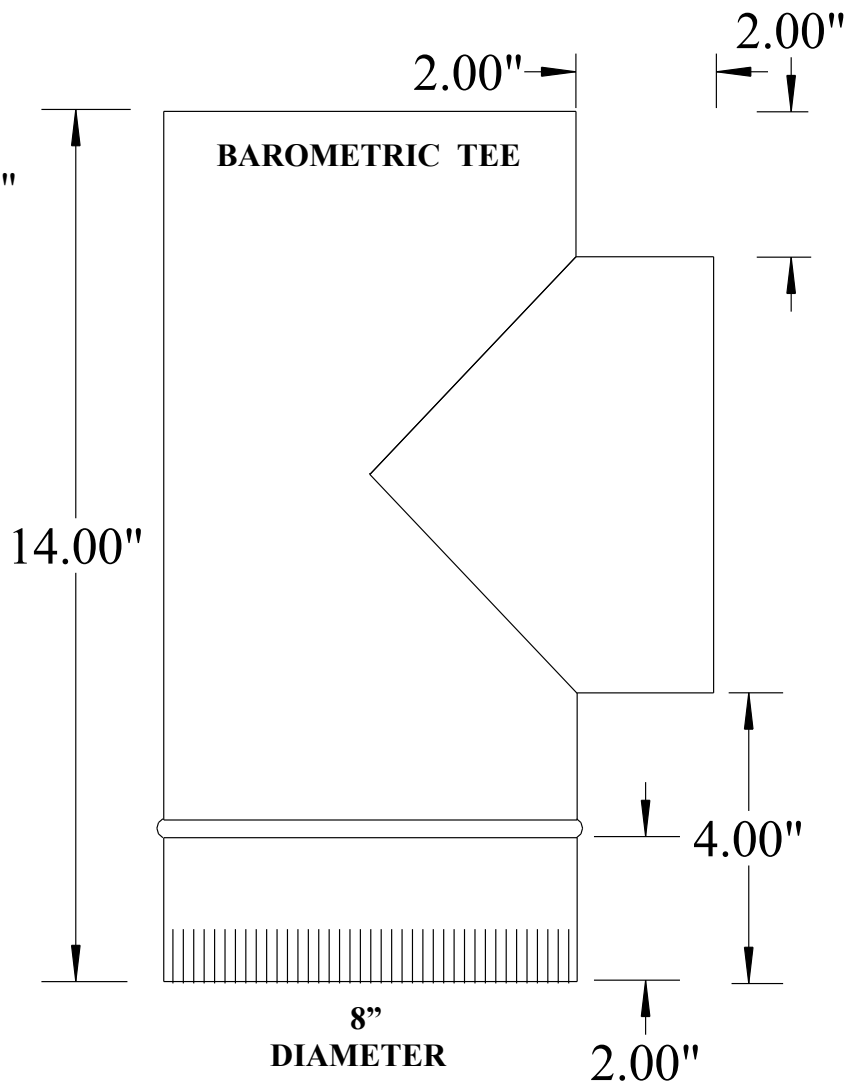
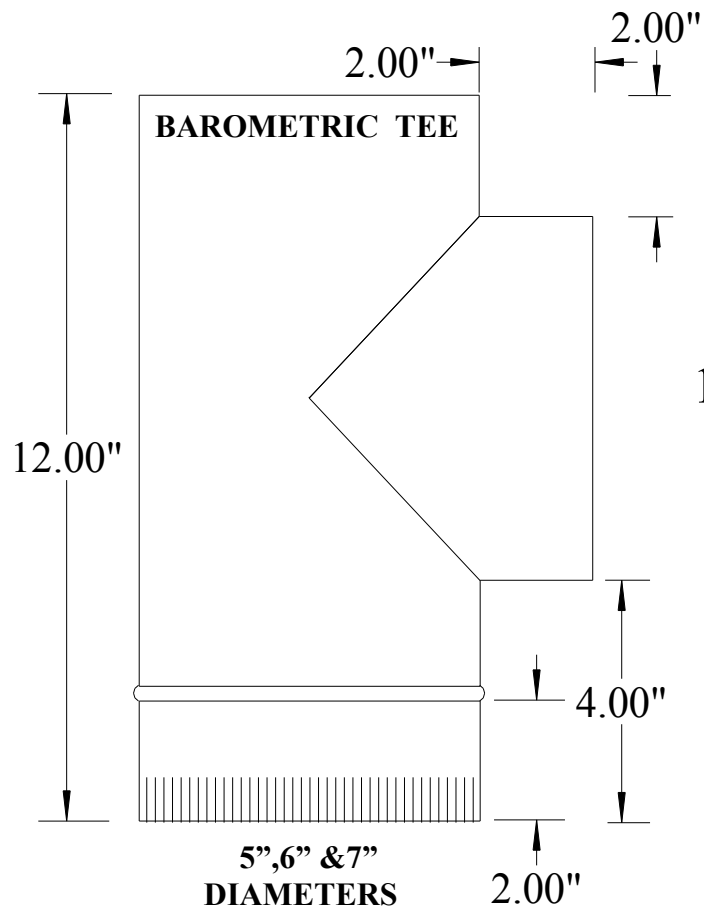
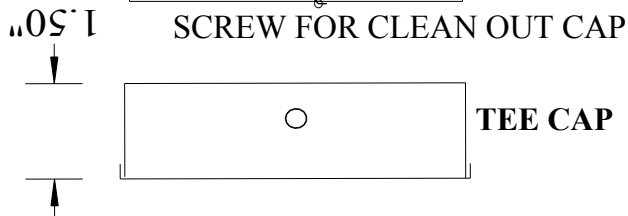
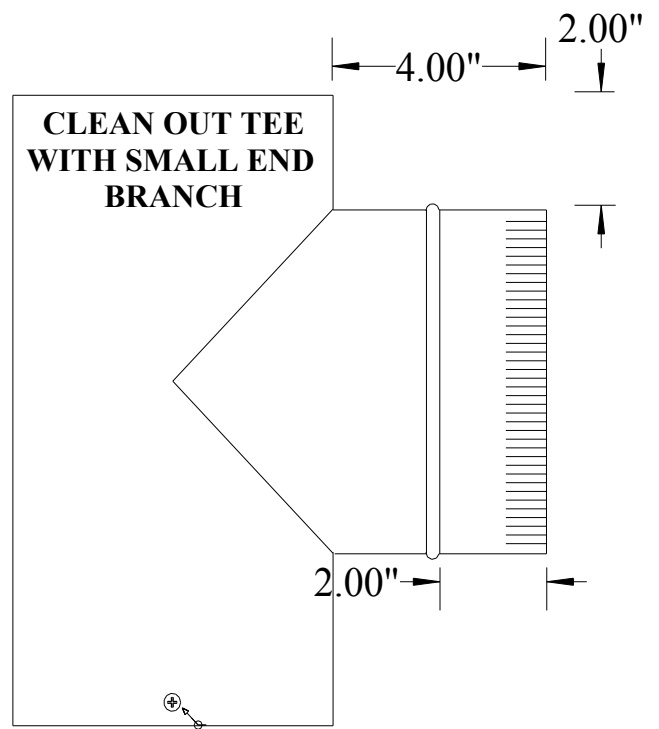
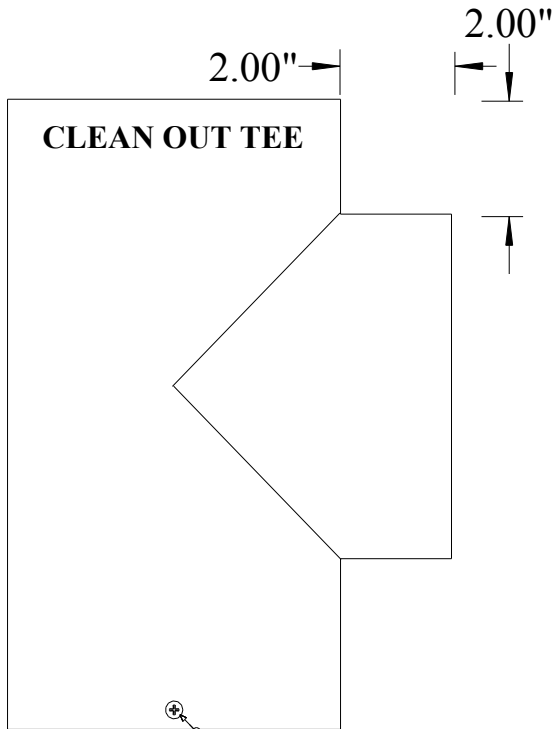
A =	B =	C =
4"	2"	6"
10"	2"	12"
16"	2"	18"
22"	2"	24"

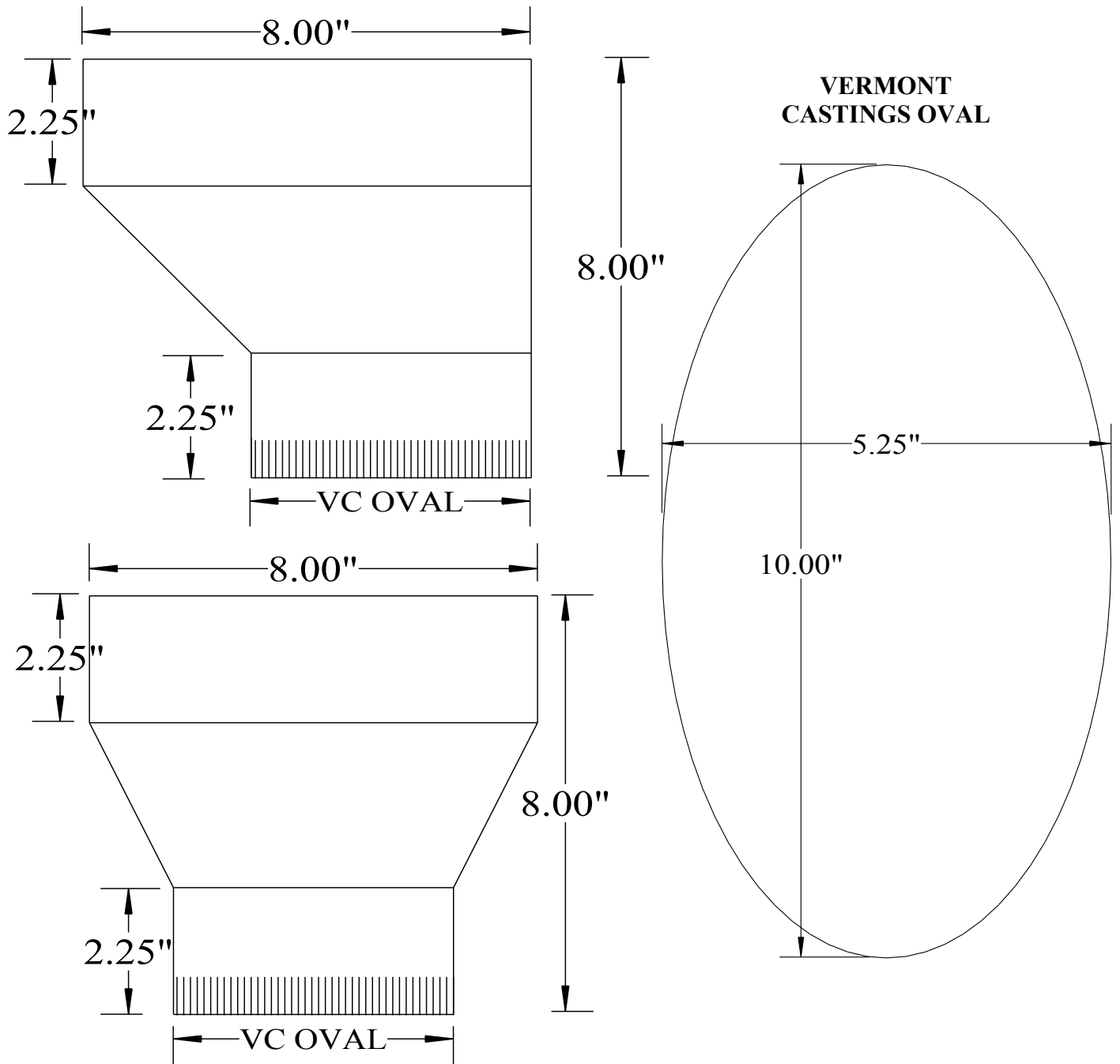
36" Lengths only
available in 6", 7"
& 8"
Diameters



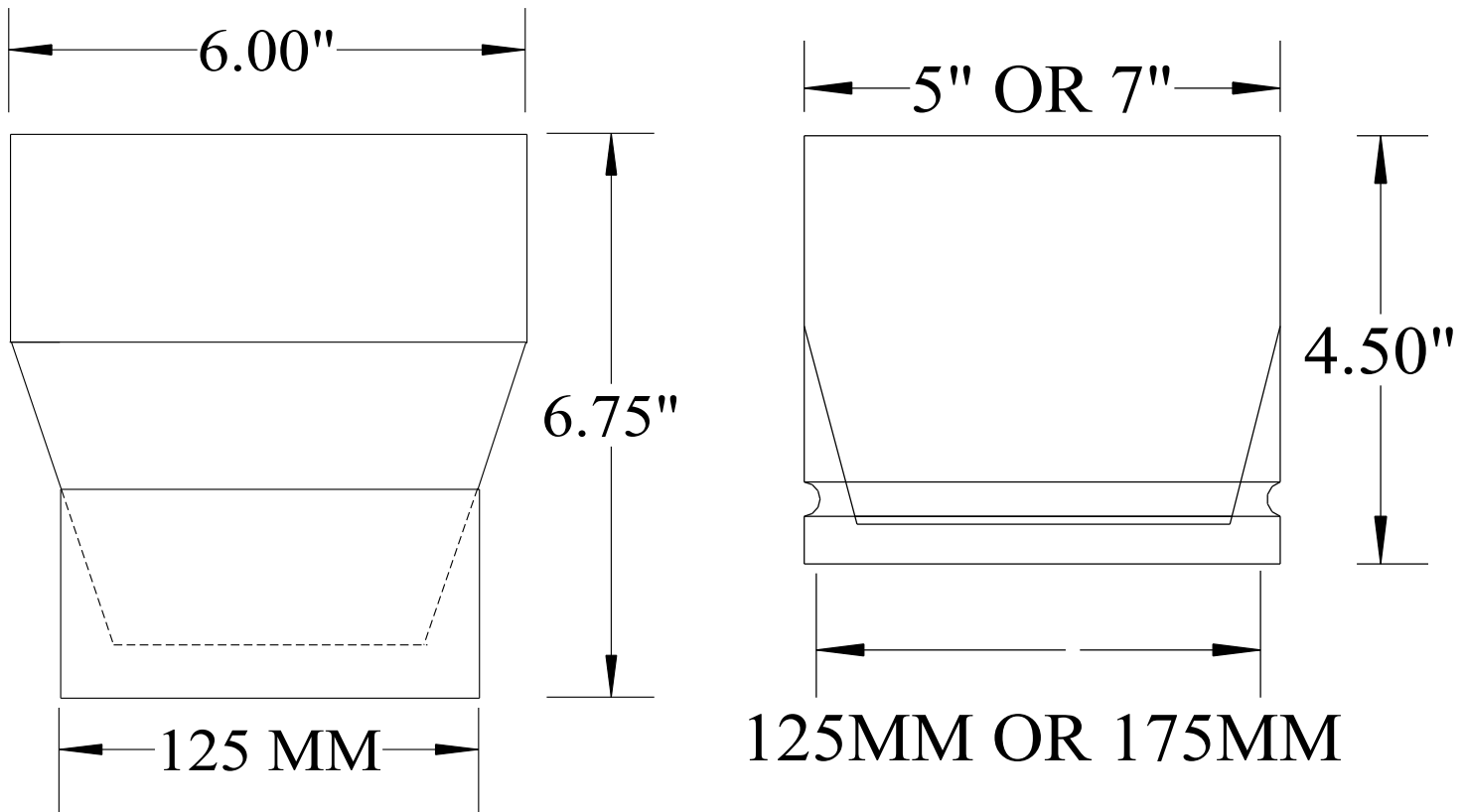


PIPE DIA.	4"	5"	6"	7"	8"
A=	9.75"	11.25"	11.25"	15"	15.25"

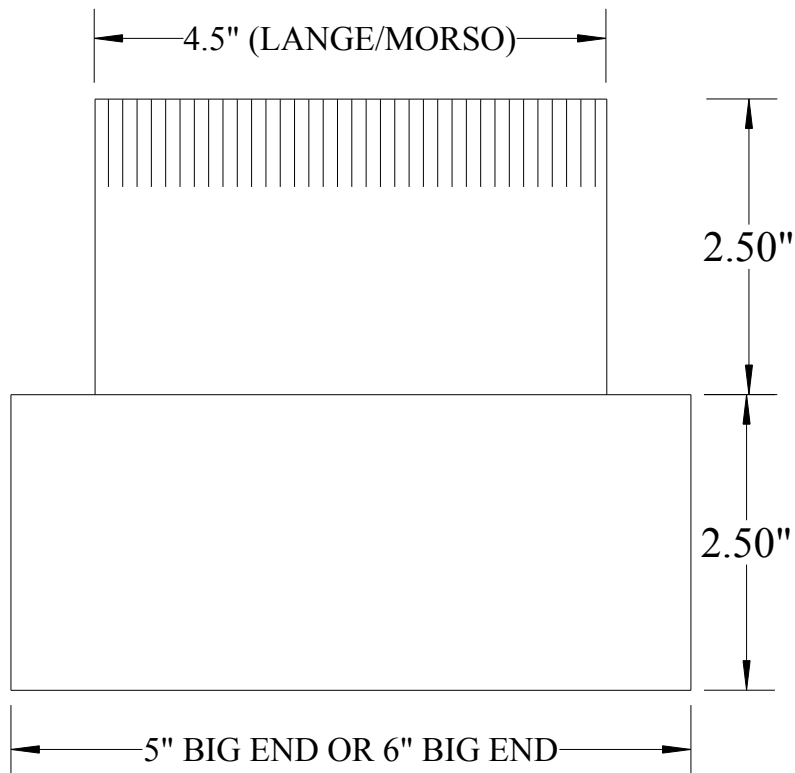




**VERMONT CASTINGS BOOTS ARE ALSO
 AVAILABLE IN 6" & 7" DIAMETERS
 (ON CENTER ONLY)
 ALSO AVAILABLE IN 24" LENGTHS**

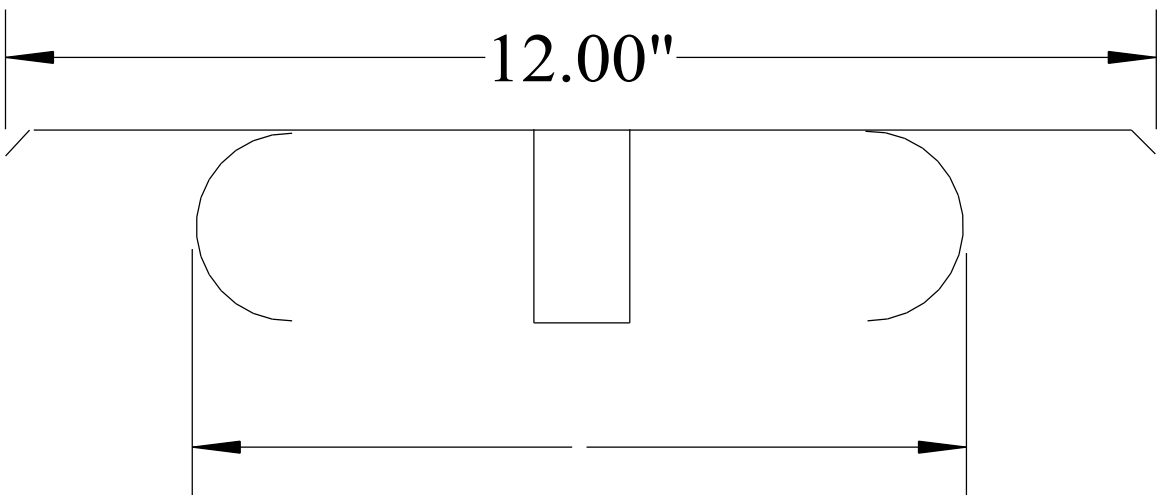


125MM FITS THE JOTUL MODEL 118 & 602 STOVES
175MM FITS OLDER JOTUL #1 & #4 STOVES

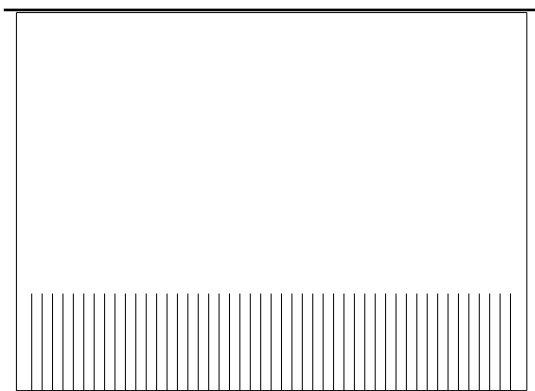




**INCREASER/REDUCERS
ARE AVAILABLE WITH
2 MALE(SMALL) ENDS ,
2 FEMALE(BIG) ENDS
OR 1 MALE(SMALL) END &
1 FEMALE(BIG) END**



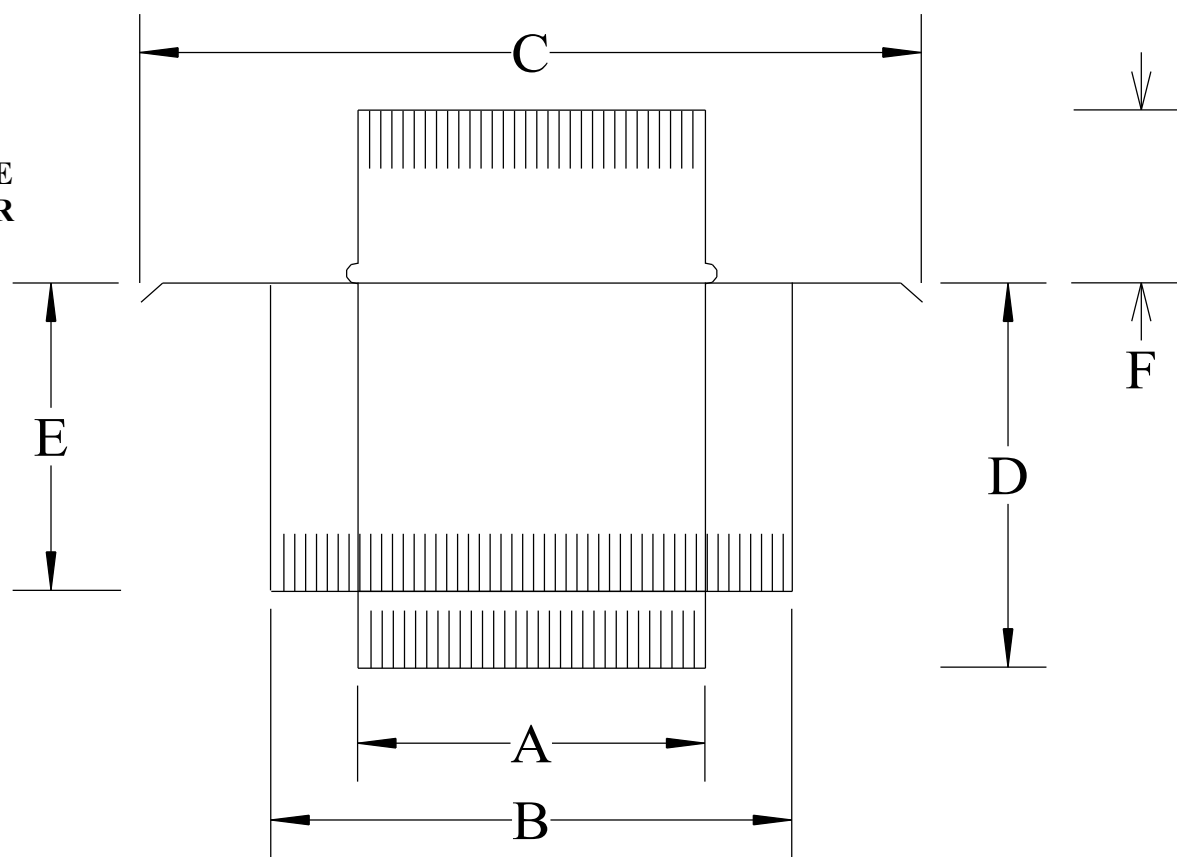
ADJUSTABLE FROM 5" TO 8"



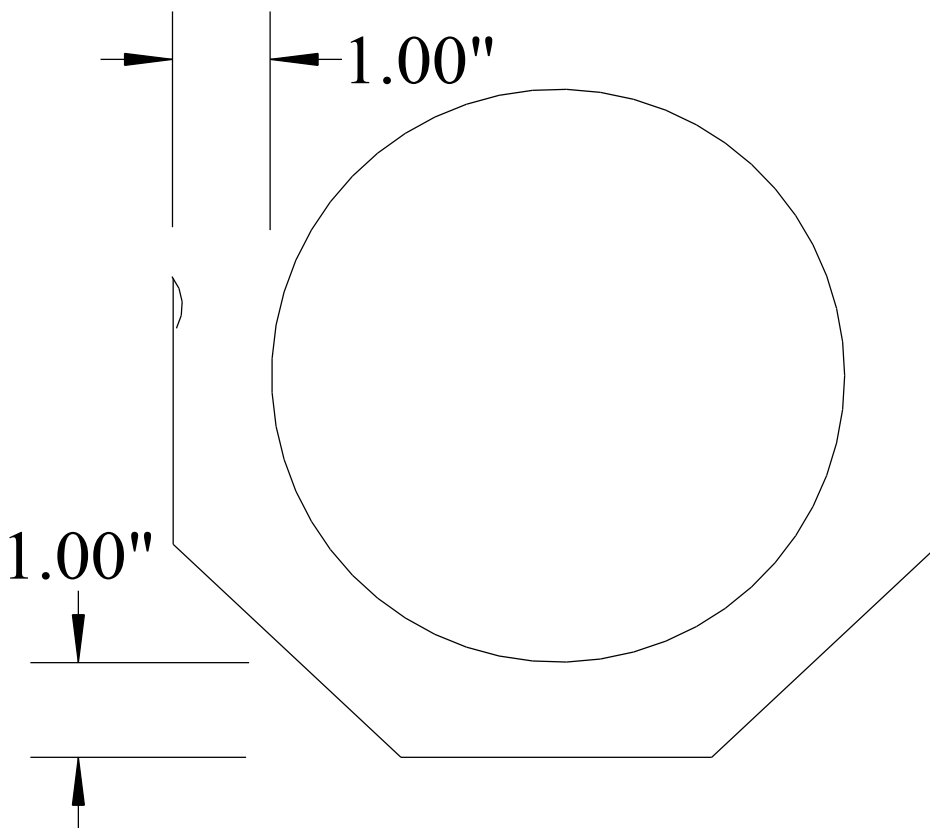
**UNIVERSAL WALL PLATES
(U.W.P.) & THIMBLE CAPS ARE
USED FOR CLOSING OFF UNUSED
CHIMNEY THIMBLES**

**AVAILABLE IN 5", 6", 7" & 8"
DIAMETERS**

**GAS
THIMBLE
ADAPTER**



A =	B =	C =	D =	E =	F =
4" SMALL END	6", 7" OR 8" SMALL END	9"	5"	4"	2.25"



**PIPE SHIELD
24" LONG
CUSTOM LENGTHS ALSO
AVAILABLE**