

# NV11 - VALIDATOR + NOTE FLOAT

The NV11 is the latest model from Innovative Technology, incorporating a bank note validator and 'Note Float' payout unit.

With a 30 note capacity of one single denomination, the NV11 is capable of dispensing notes as change or prizes - helping to alleviate the problem of coin starvation and keep machines running.

The NV11 comes with a standard 300 note capacity cashbox and uses eSSP (encrypted Smiley Secure Protocol). The NV11 leaves the factory preset to at least one currency so is ready for immediate installation.

NV11 = NV9 USB + NOTE FLOAT

## Recommended Applications

- AWP machines, Bingo machines
- Vending machines e.g. hot/cold drinks, medical items, cigarettes etc.

## Options

- Dataset availability: full listing on our website - all NV9 USB datasets
- Cashbox capacity on request: 600 & 1000 notes - Slide In



## Features

- Collects, validates and stores notes for future payout
- Jam free, high-speed payout
- Dispenses notes in 3 seconds
- Stores notes up to 160 mm long
- Secure unit
- Quick transactions with a high acceptance rate of typically 99,8% using SPF™ technology

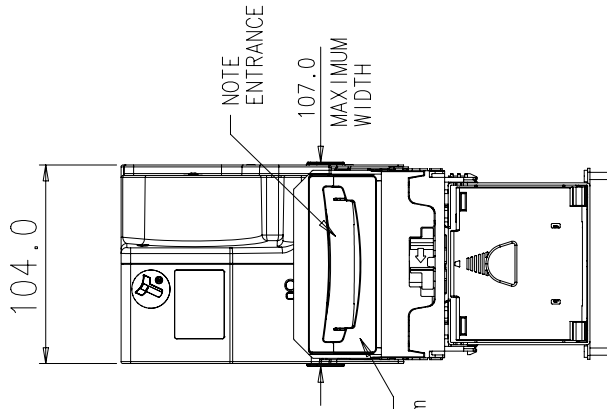
## Technical Data

- 30 note capacity
- Horizontal mounting only
- Standard cashbox capacity: 300 notes
- Combined dimensions: 246x222x104 mm
- Combined Weight: 2.2 kg
- Power supply: 12V +/- 10%
- USB capable
- eSSP Protocol (encrypted SSP) [other protocols available on request]

IN LINE WITH CONTINUED PRODUCT DEVELOPMENT, INNOVATIVE TECHNOLOGY LTD RESERVES THE RIGHT TO CHANGE SPECIFICATIONS WITHOUT PRIOR NOTICE.

CONTACT ADDRESS :  
 INNOVATIVE TECHNOLOGY LTD  
 DERKER STREET, OLDHAM  
 ENGLAND OL1 4EQ  
 TEL : +44(0)161 626 9999  
 FAX : +44(0)161 620 2090

Email  
 sales@innovative-technology.co.uk



BEZEL SNOOT  
 9.4mm x 35.6mm

ACCEPTS NOTES UP TO 82mm WIDE x 160mm LONG  
 CASHBOX CAPACITY : 300 NOTES  
 STORES NOTES UP TO 80mm WIDE x 160mm LONG  
 (CAPACITY 30 x 150mm LONG NOTES)

NV11 SUPPLY AND POWER CONSUMPTION :  
 VOLTAGE 12v +/-10%  
 RIPPLE 0.25v AT 100HZ  
 STAND BY 350mA  
 VALIDATE 1000mA  
 STORE/PAYOUT 1500mA  
 PEAK 3100mA

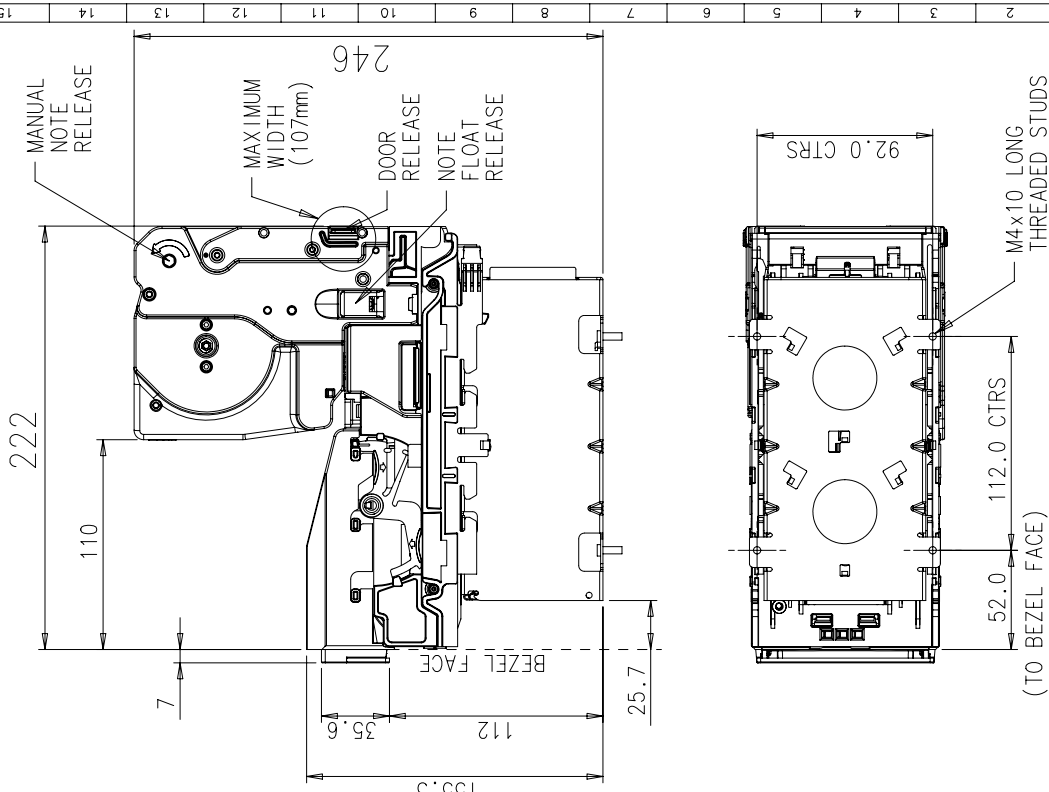
ENVIRONMENTAL OPERATING RANGE :  
 +3°C TO 50°C AT 5% TO 95% RH (NON-CONDENSING)

UNLADEN WEIGHT : 2200g

DO NOT SCALE  
 IF IN DOUBT - ASK !!!  
 ALL DIMENSIONS SHOWN ARE NOMINAL SIZES.  
 3rd ANGLE PROJECTION.  
 INNOVATIVE TECHNOLOGY LIMITED  
 BERKELEY ST. OLDMAN  
 ENGLAND, OL1 4EQ  
 TELEPHONE: 0161 626 9999  
 FAX: 0161 620 2090

REFERENCE ONLY:  
 DESTROY AFTER USE.  
 ALWAYS REFER TO LATEST ISSUE.

ISSUE No.	MOD No.	DATE	MOD BY
C.A.D. GENERATED - MOD'S TO BE DONE VIA MAGNETIC MEDIA			
ISSUE	GA900		
DRG No.	GA900		
FINISH	MATERIAL		
SCALE	NTS		
DATE	6-5-10		
CHECKED	JR		
MKS	DATE		
DATE	6-5-10		
TITLE	NV11 OUTLINE DRAWING		
TOOL No.	A		



© COPYRIGHT CONTAINED IN THIS DRAWING IS THE PROPERTY OF INNOVATIVE TECHNOLOGY LTD