

NV200 - BILL ACCEPTOR

Since developing the world's first low cost, multi-currency bill acceptor (Smiley NV1), Innovative Technology Ltd (ITL) has rapidly grown to become a major supplier to manufacturers worldwide.

Our track record in research, development and cutting edge innovation is substantiated by our unique SPF™ core technology that ensures an industry-leading acceptance rate for multi-currency of typically 99.8%.

The NV200 is the latest model from ITL and continues to uphold their tradition of high quality within the automated payment industry. The unit can accept notes at acute angles in all four ways and straighten them before reading, as it possesses auto-centering technology in the form of straightening irons, which move the notes into the correct position to pass along the unit's seamless note path.

The NV200 is a secure and robust unit making it ideal for use in high volume applications. Its triple lock capability comprises of a lock on the acceptor head, securing the head to the main unit, and the following two locks are located on the cashbox. This security is essential when a unit such as the NV200 has the capacity to hold up to 500 bills.

Recommended Applications

- High security, high volume applications e.g. gaming, kiosks, parking garages, vending etc.

Options

- Multiple currency validation
- Secure unit - triple lock capability
- Dataset availability: full listings on our website



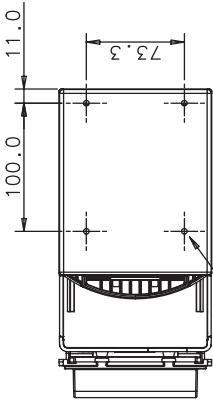
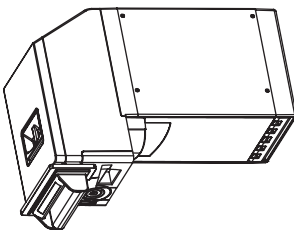
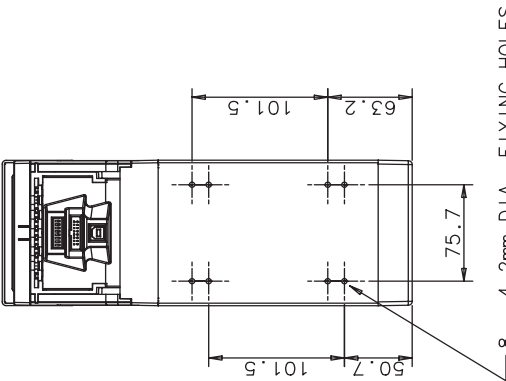
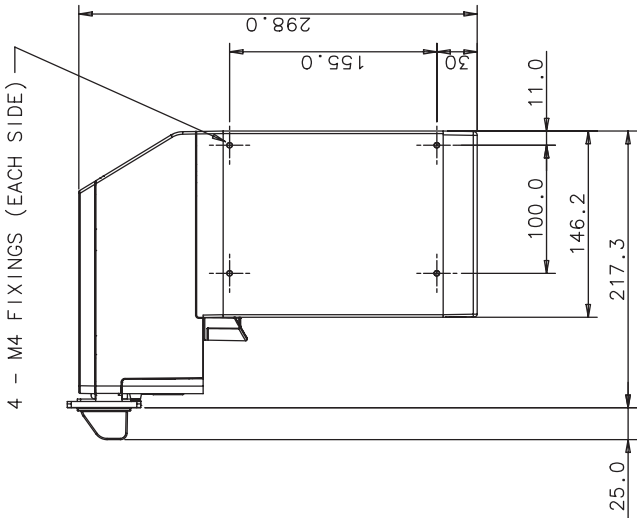
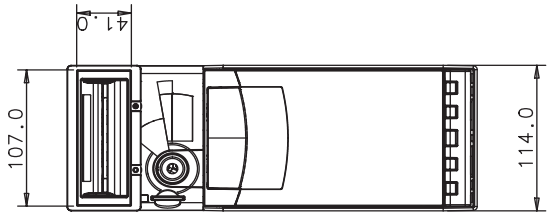
Features

- Quick transactions with a high acceptance rate of typically 99.8% using SPF™ technology
- Seamless note path = no jams
- Accepts notes up to 85mm wide (3 3/8 inches) wide
- Accepts industry standard barcode tickets in 4 ways
- Modular interface
- Bezel backlighting effects can be defined by the customer using a program allowing colours to be made from any variation of the 3 primary colours

Technical Data

- Accepts and stacks notes in just 3 seconds
- Weight: 3.0kg (6lb 10oz)
- Compact dimensions: 114 x 217 x 298mm (4 1/2 x 8 1/2 x 11 3/4 inches)
- Power Supply: 12VDC +/- 10%
- Supporting all standard protocols
- Simple and advanced programming using a PC, handheld unit or MMC Card
- Optical anti-stringing beam
- Stacker capacity: 500 bills
- Built in USB

DWG No: GA604



ACCEPTS NOTES: -

60mm TO 85mm WIDE
115mm TO 167mm LONG

SUPPLY AND POWER CONSUMPTION: -

VOLTAGE : 11.00 - 13.5v
RIPPLE : 0.25V AT 100Hz
IDLE : 0.4A
VALIDATING : 1.5A
PEAK : 3.0A

ENVIRONMENTAL OPERATING RANGE: -

+3°C TO +50°C AT 5% TO 95% RH
(NON-CONDENSING)

UNLADEN WEIGHT: 2.8KG

GA604

15

14

13

12

11

10

9

8

7

6

5

4

3

2

1

X

W

V

U

T

S

R

Q

P

O

N

M

L

K

J

I

H

G

F

E

D

C

B

A

COPYRIGHT CONTAINED IN THIS DRAWING IS THE PROPERTY OF INNOVATIVE TECHNOLOGY LTD

ISSUE No.	MOD No.	DATE	MOD BY
C.A.D. GENERATED - MOD'S TO BE DONE VIA MAGNETIC MEDIA			
DO NOT SCALE	IF IN DOUBT - ASK 111	SCALE	MATERIAL
INNOVATIVE TECHNOLOGY LIMITED DENNER ST., OLDHAM ENGLAND, OL1 1ED TELEPHONE: 0161 628 9989 FAX: 0161 620 2090	DRAWN SHEGAD CRJ	DATE 02.01.08	FINISH
3/4 ANGLE PROJECTION.	DB	SCALE NTS	TOOL No.
TOLERANCES TO BS7010 (1988) GROUP UNLESS OTHERWISE STATED. ANGULAR TOLERANCE 30.5°	DATE 04.01.08	TITLE: NV200 OUTLINE DRAWING	
DRAWING No. GA604		ISSUE	