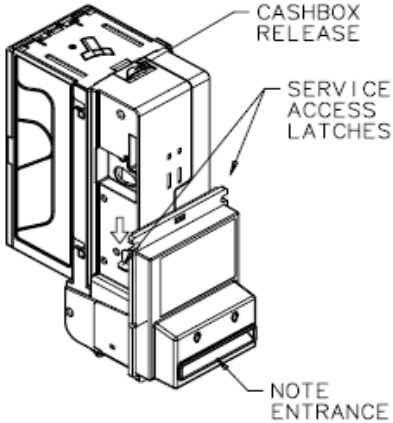




## BV50 Bill Acceptor

The BV50 Bill Acceptor has been designed to work in many different applications. The BV50 comes preprogrammed with one interface and can accept from \$1 to \$100 US Dollars. Additional accessories such as a 110 volt adaptor, MDB adaptor, mounting plate and many different wiring harnesses are available. Please contact your local distributor for additional information.

Supply voltage of a BV50 is 11.0 to 13.5 volts DC. Logic levels are 0 to .5 volts DC low and 3.7 to 12.0 volts DC high. Please consult the full manual for additional information.



The BV50 bezel incorporates a hinge that allows the chassis of the bill acceptor to pivot away from the bezel for easier installation into space sensitive machines. Depressing the service access latches will allow the chassis to pivot on the hinge for installation or cleaning purposes.

### Bezel LED's

If an error has occurred the front lights of the BV50 will flash an error code. Please refer to the chart below for additional information

LED STATUS				
Number of LONG flashes	Number of SHORT flashes			
	1	2	3	4
1	Bill Path Open	Bill Path Jam	Unit Not Initialized	
2	Cash Box removed	Cash Box Jam		
3	Firmware Checksum	Interface checksum	EEPROM Checksum	Dataset Checksum
4	PSU too Low	PSU too High		

Please contact your local distributor for further assistance or ECA Sales, Inc. at (815) 467-3975.

ECA Sales, Inc.  
520 Twin Rail Dr. Unit E  
Minooka, IL 60447



### BV50 CONFIGURATION CARD

Configuration cards are only used for changing settings such as the number of pulses per Dollar, disabling or enabling denominations or changing the interface. **ONLY USE A CONFIGURATION CARD IF CHANGES ARE NECESSARY!**

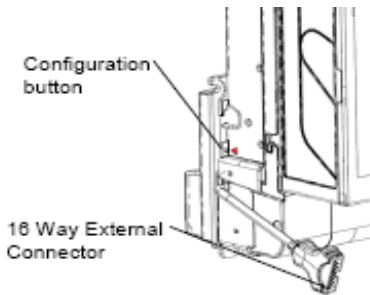
1) Cut card around outline – check measurements 198mm (7 7/8") x 66mm (2 5/8"). Check print options 'Page scaling' is set to 'none' when printing a card to ensure correct size.

2) Fill in sections as required with a pencil or ball point pen. Stay inside the lines and fill the boxes completely as shown below.



3) Power up BV50 and allow it to reset.

4) Press the Configuration Button once quickly to access the Configuration Mode. If done correctly the BV50 bezel LEDs should now be flashing at 1 second intervals.



5) Enter card into BV50 in direction indicated by arrows on the card.

6) Card will be returned and if the configuration was accepted the bezel LEDs will flash rapidly while the BV50 is programming. **USE CAUTION TO ENSURE POWER IS NOT DISCONNECTED DURING THIS STAGE. PERMANENT DAMAGE MAY OCCUR IF POWER IS DISCONNECTED DURING THIS STAGE.** When programming is complete the BV50 will reset.

If an error occurs the bezel LEDs will flash slowly displaying a code to indicate the cause of the error.

#### Error Codes

- 2 – Invalid card read – card entered improperly or card was filled out improperly
- 3 – No interface selection was detected on card
- 4 – Multiple interface selections detected
- 5 – Invalid interface selected – the selected interface is not available for this BV
- 6 – Selected interface not compatible with BV version
- 7 – Pulse configuration error. Selected pulse options invalid.
- 8 – Not used
- 9 – Low power mode not available on this BV version

CHECK THAT THE CONFIGURATION REQUESTED HAS BEEN SET IN THE BV50 BEFORE USE. TEST THE INTERFACE WITH MULTIPLE DENOMINATIONS TO VERIFY CORRECT SETTINGS.

Please contact your local distributor for further assistance or ECA Sales, Inc. at (815) 467-3975.

Insert this end first  
BV 50

↑

↑

---

Select interface

Parallel	<input type="checkbox"/>	<input type="checkbox"/>	Pulse
Enabled pulse	<input type="checkbox"/>	<input type="checkbox"/>	MDB

---

Select bill disable

\$1	<input type="checkbox"/>	<input type="checkbox"/>	\$50
\$5	<input type="checkbox"/>	<input type="checkbox"/>	\$100
\$10	<input type="checkbox"/>	<input type="checkbox"/>	\$2
\$20	<input type="checkbox"/>		

---

Select pulse options

High speed	<input type="checkbox"/>	<input type="checkbox"/>	Low speed
# pulse x1	<input type="checkbox"/>	<input type="checkbox"/>	# pulse x16
# pulse x2	<input type="checkbox"/>	<input type="checkbox"/>	# pulse x32
# pulse x4	<input type="checkbox"/>	<input type="checkbox"/>	# pulse x64
# pulse x8	<input type="checkbox"/>	<input type="checkbox"/>	# pulse x128

---

Select special options

Low power	<input type="checkbox"/>
-----------	--------------------------

GA 798 rev 1.2

ECA Sales, Inc.  
520 Twin Rail Dr. Unit E  
Minooka, IL 60447