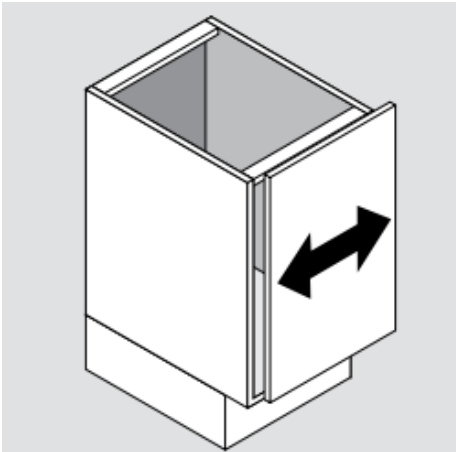
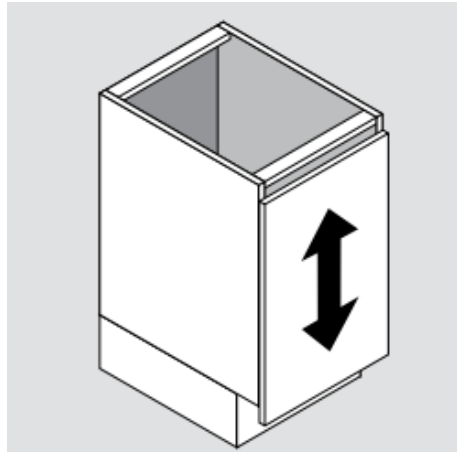


## CLIP-TOP BLUMOTION THREE-DIMENSIONAL ADJUSTMENT

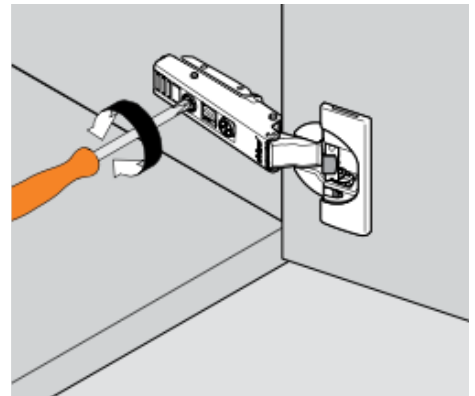
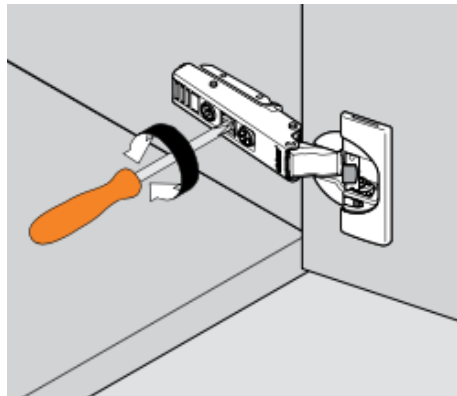
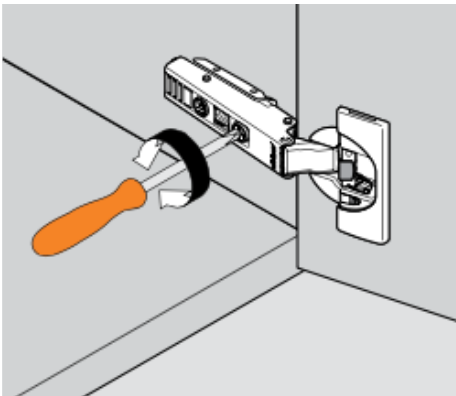
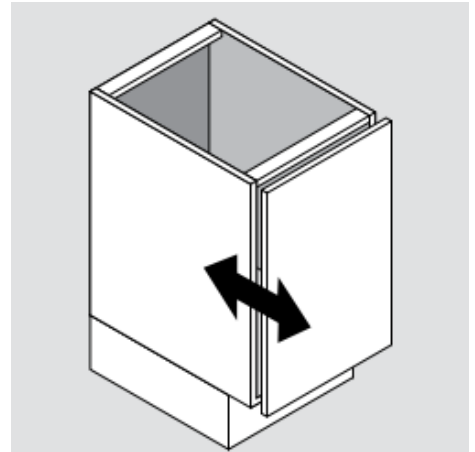
### SIDE TO SIDE ADJUSTMENT



### HEIGHT ADJUSTMENT



### DEPTH ADJUSTMENT



Using a phillips head screwdriver, turn the adjustment screw clockwise and counter clockwise to move the door - the direction of turn and it's effect is dependent on which the side of the door the hinge is attached.

This adjustment involves two screws, one to the top and one to the bottom of the clip. Loosen the screws slightly and then lift or lower the door until it is in the position you want. Re-tighten the screws to secure the door.

Use this screw to adjust how far out or in the doors are in comparison to your cabinet and to the other cabinet doors and drawers surrounding it. Loosen the screw and manually push or pull the door to adjust it. Re-tighten the screw when the door is in the position you want.