

# HISUN STRIKE/SECTOR ENGINE BEARINGS AND SEAL LIST

- This is a list of the most common bearings and oil seals you will need when you are doing an engine repair or transmission service. You can use the part numbers and try to locate them at one of your local bearing shops.

## Bearings:

6207 (qty 1)

6204 (qty 3)

6202 (qty 1)

6202z (qty 2)

HK2110 Needle bearing (qty 1)

## Oil Seals:

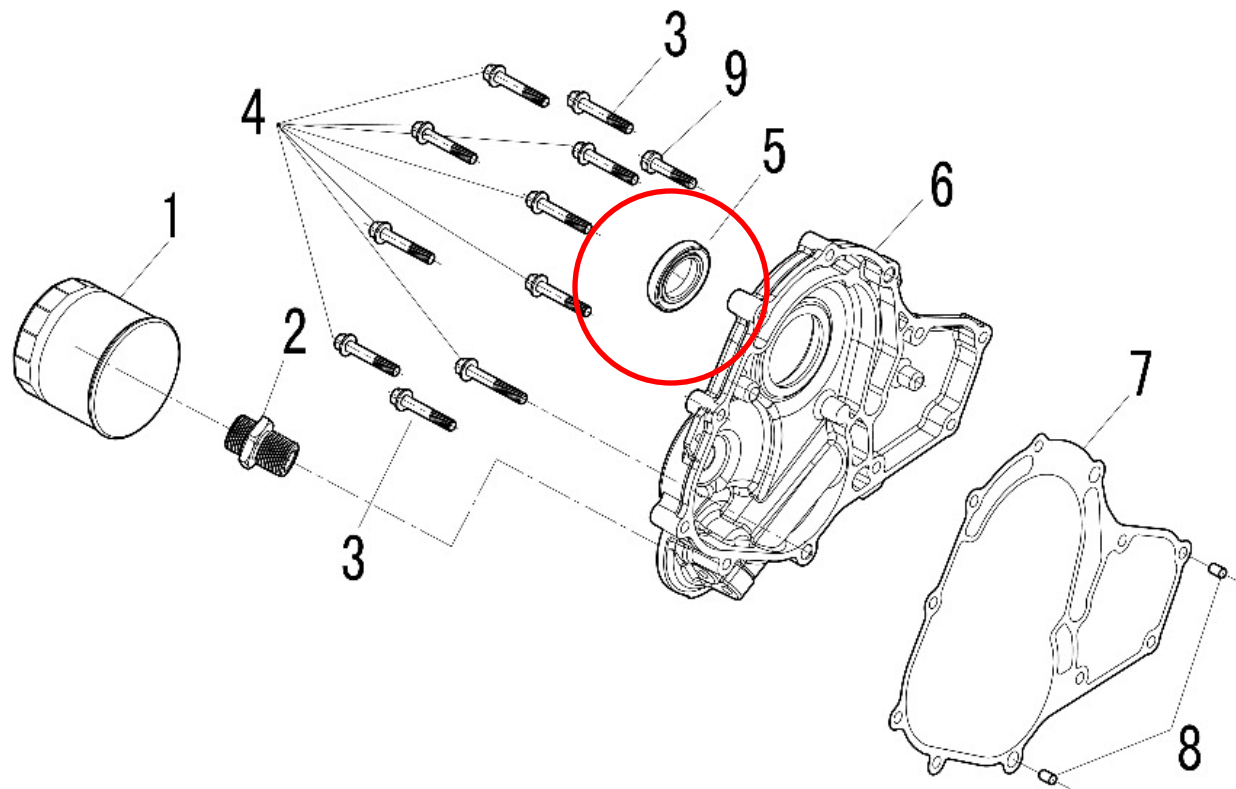
32x47x7 (qty 1)

30x42x7 (qty 1)

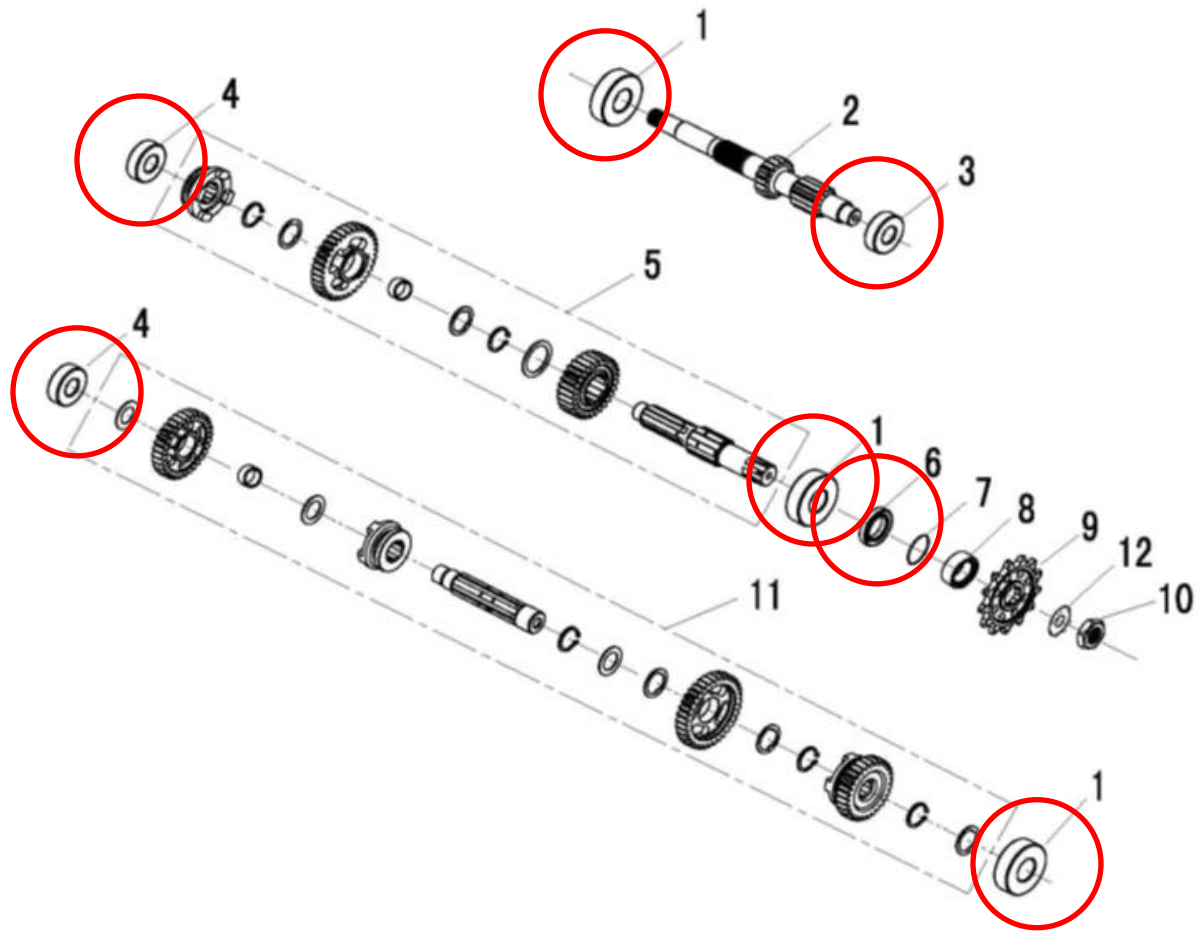
35x44x4 (qty 2)

14x22x5 (qty 1)

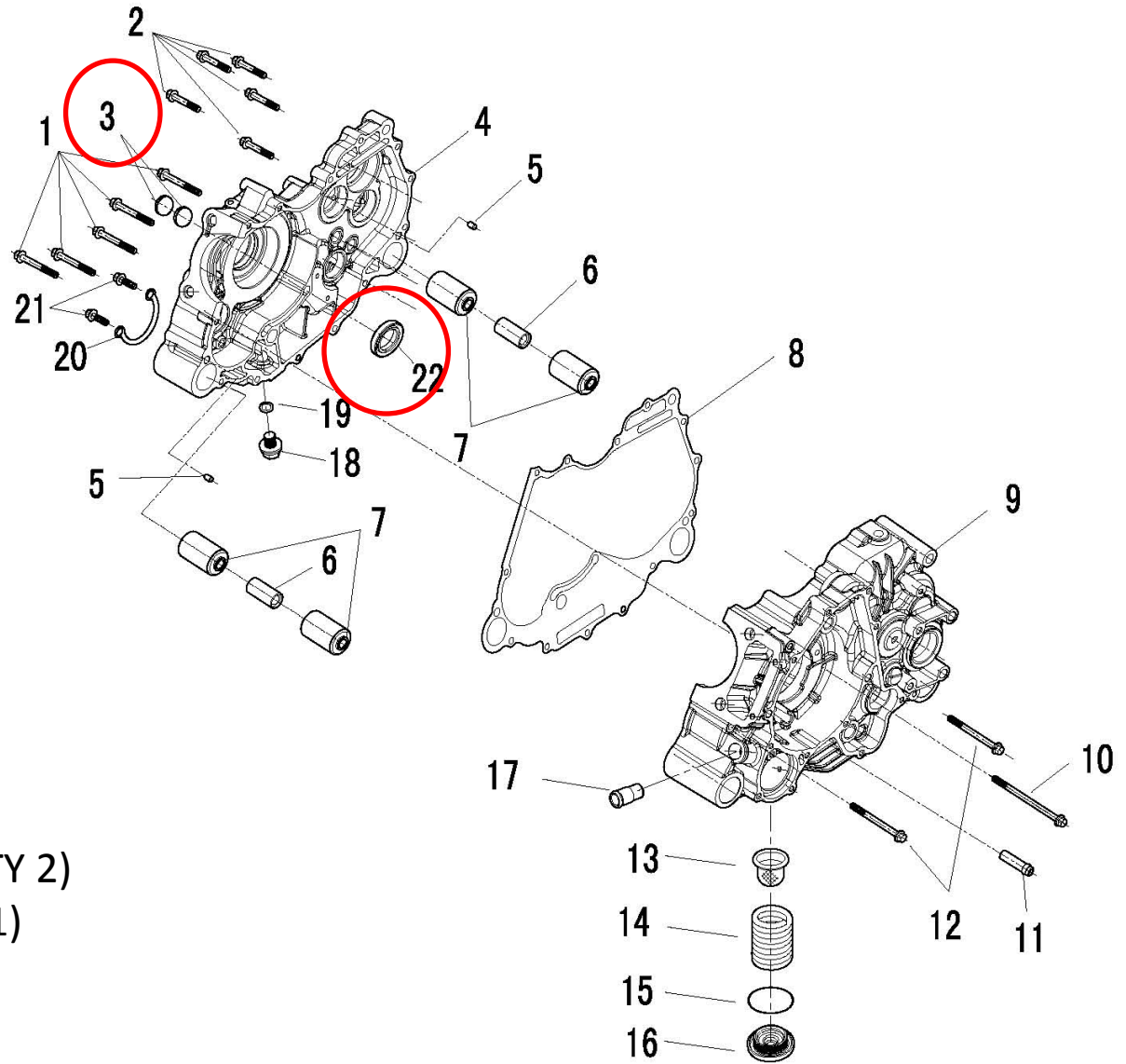
15x25x5 (qty 1)



#5 RIGHT CRANKCASE OIL SEAL 32X47X7 (QTY 1)

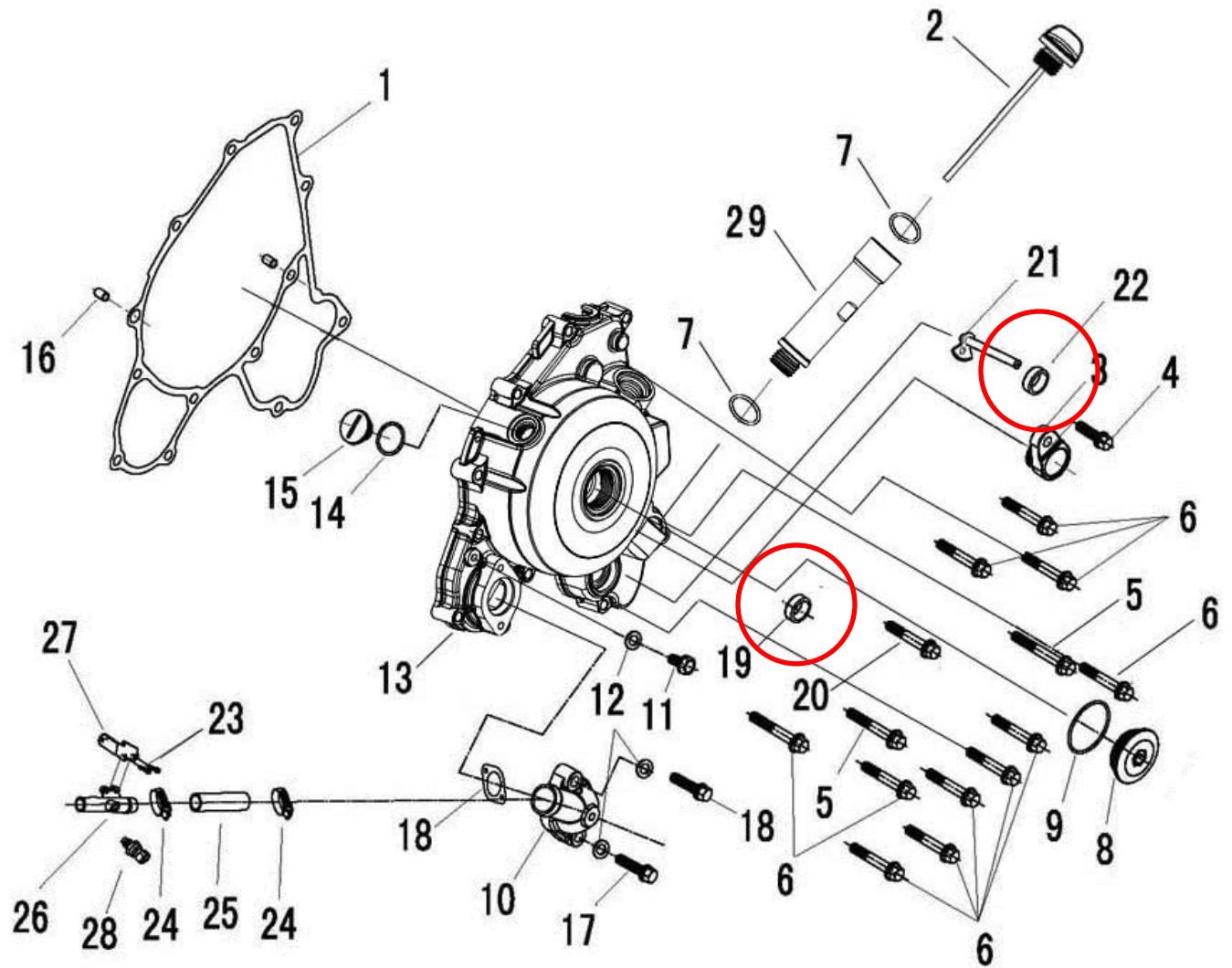


- #1 BEARING 6204 (QTY 3)
- #3 BEARING 6202 (QTY 1)
- #4 BEARING 6202Z (QTY 2)
- #6 OIL SEAL 30X42X7 (QTY 1)



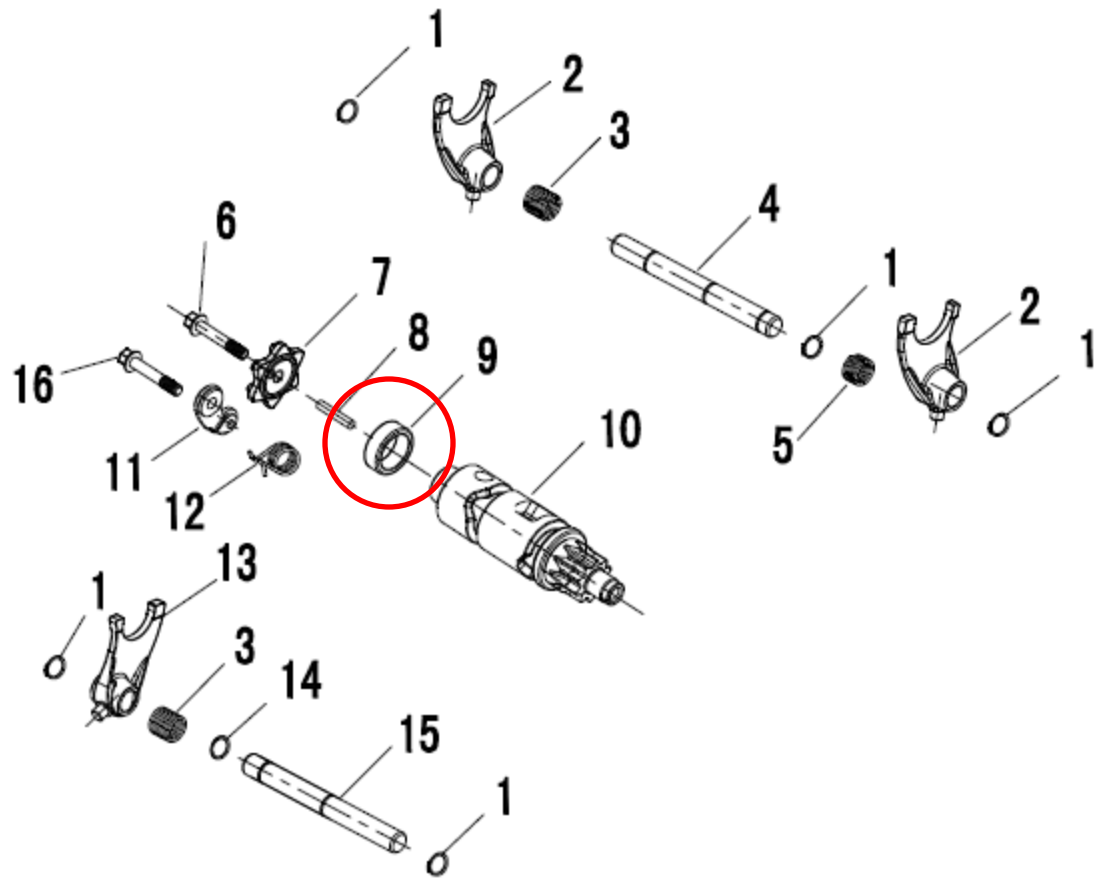
#3 OIL SEAL 35X44X4 (QTY 2)

#22 BEARING 6207 (QTY 1)



#19 OIL SEAL 14X22X5 (QTY 1)

#22 OIL SEAL 15X25X5 (QTY 1)



#9 NEEDLE BEARING HK2110 (QTY 1)