



1-1/4"

7/16"

OTD877



1-1/4"

3/8"

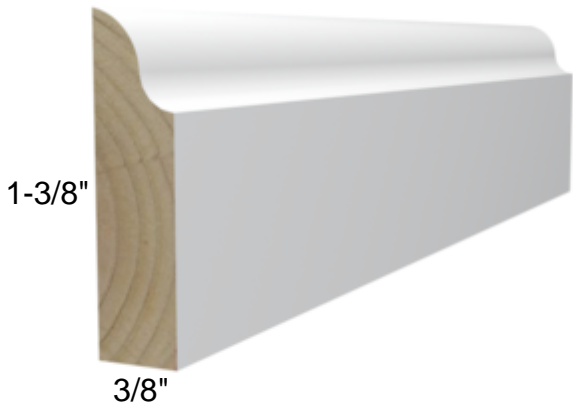
OTD887



1-1/8"

3/8"

OTD888



OTD916

1-3/8"

7/16"

OTD936

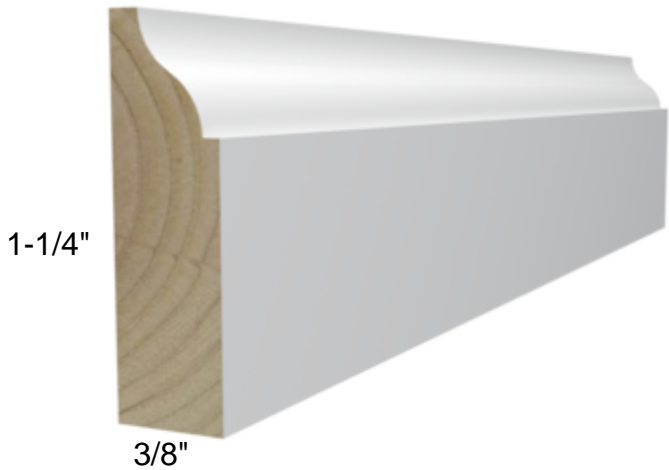


A 3D perspective rendering of a decorative wood molding profile. The profile is shown in a light tan wood grain texture. It features a top surface with a decorative, slightly curved edge. The bottom edge is a simple, straight profile. The dimensions are indicated by text labels:  $1\text{-}\frac{3}{8}\text{''}$  for the height and  $\frac{3}{8}\text{''}$  for the width.

$1\text{-}\frac{3}{8}\text{''}$

$\frac{3}{8}\text{''}$

OTD946



OTD947