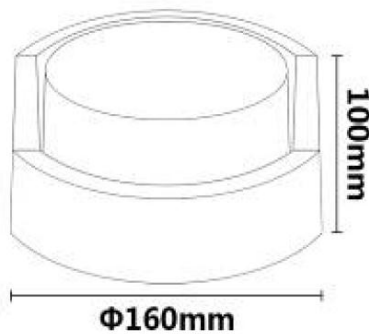


10W WALL LIGHT



Part No	: EG-BK160R-10W
Material	: Die Cast aluminium body with glass diffuser
Wattage (W)	: 10W
Input Voltage (V)	: AC85 – 265V
Frequency (Hz)	: 50/60Hz
Luminous Efficacy (Lm/W)	: 80 Lm/W
CCT (°K)	: 3000K/4000K/6000K
Beam Angle	: 180°
Lifetime (Hr)	: 50,000

