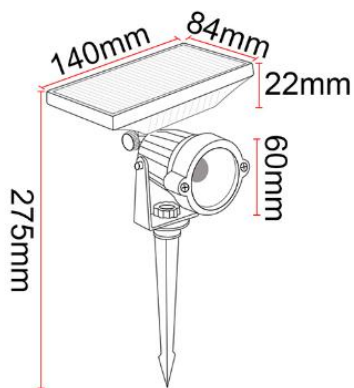


5W SOLAR SPIKE LIGHT



Part No	: EG-SLSPIB-5W
Material	: Aluminium body
Wattage (W)	: 5W
Solar Panel	: 6V 1.5W Polysilicon
Battery	: 3.7V/6000MAH
Recharge Time	: 6 – 8Hrs
Working Time	: 100% output – 15Hrs 75% output – 23Hrs
CCT (°K)	: 3000K/4000K/6000K/RGB
Beam Angle	: 24°

