

1966 - 1984 HARLEY-DAVIDSON™ FLH

PARTS LIST

Qty	Description
<input type="checkbox"/> 1	45-Degree clamp with two 1/2" bolts and nuts
<input type="checkbox"/> 1	70-Degree clamp with two 1/2" bolts and nuts
<input type="checkbox"/> 1	U-Clamp
<input type="checkbox"/> 1	Lower rear large clevis plate with two 3/8" x 16 x 2-12" bolts Gr.#8
<input type="checkbox"/> 1	Lower front mount U-clamp and clevis
<input type="checkbox"/> 1	70-Degree boss with two 1/2" bolts and nuts
<input type="checkbox"/> 1	45-Degree boss with two 1/2" bolts and nuts
<input type="checkbox"/> 1	Bent strut with two clevis, two jam nuts, two 3/8" bolts and nuts, 3/4" x 4" eye bolt and nylon lock nut
<input type="checkbox"/> 1	Bent strut with two clevis, two jam nuts, two 3/8" bolts and nuts, 3/4" x 4" eye bolt and nylon lock nut
<input type="checkbox"/> 1	90-Degree adapter with two 1/2" bolts and nuts
<input type="checkbox"/> 1	Upper rear 11-1/2" eye bolt with 1-1/2" spacer, one 3/4" jam nut, one 10mm x 1.25 x 25 bolt fender washer and lock washer
<input type="checkbox"/> 2	5/8" Rod end with two bolts 5/8" x 18 x 2-1/2", four flat washers, and two 5/8" x 18 nylock nuts
<input type="checkbox"/> 1	Shock with 5/8" x 20 x 2" and 5/8" x 20 x 2-1/4" bolts
<input type="checkbox"/> 1	Brake line banjo bolt crush washer, quick coupler
<input type="checkbox"/> 1	Optional: Damper, 1-1/2" strut clamp 2-1/2" fork leg clamp.
<input type="checkbox"/> 1	Mounting Instructions, Manual and Warranty card

California Sidecar, Inc.

15641 Computer Lane, Huntington Beach, CA 92649 • Tel. (714) 891-1033 • Service (714) 372-3616

UPPER FRONT - EYE CLAMP

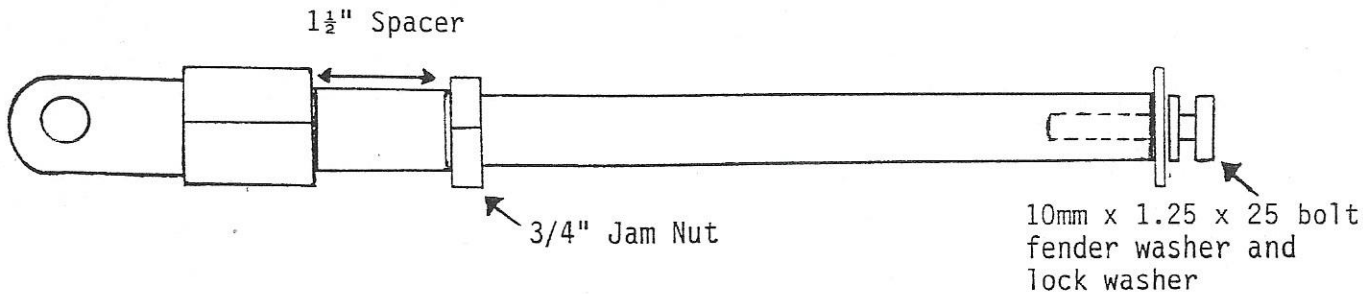
Place on down tube as high as possible and at 90-degree to bike.

LOWER FRONT - CLEVIS U-CLAMP

Place U-clamp on frame tubing between back of brake master cylinder and rear running board frame bracket.

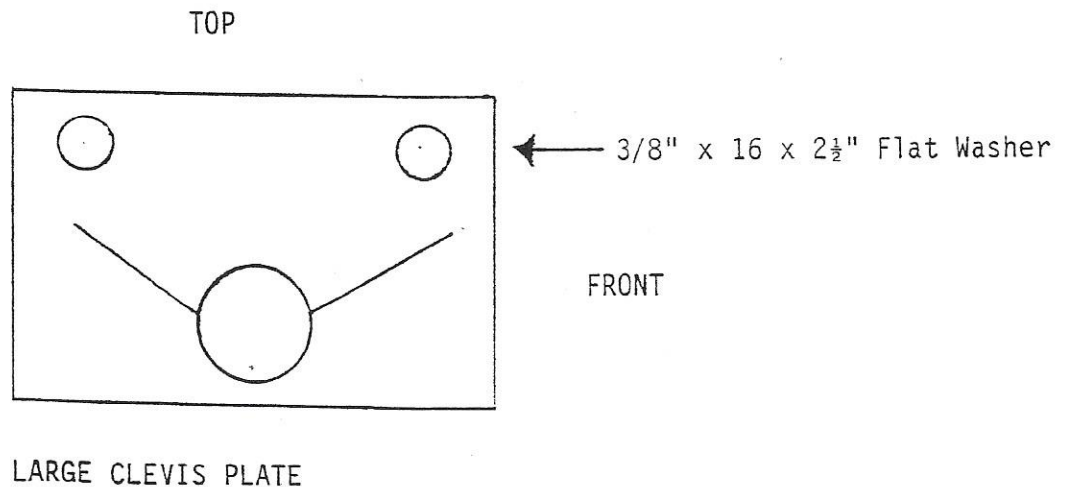
UPPER REAR - EYE ROD

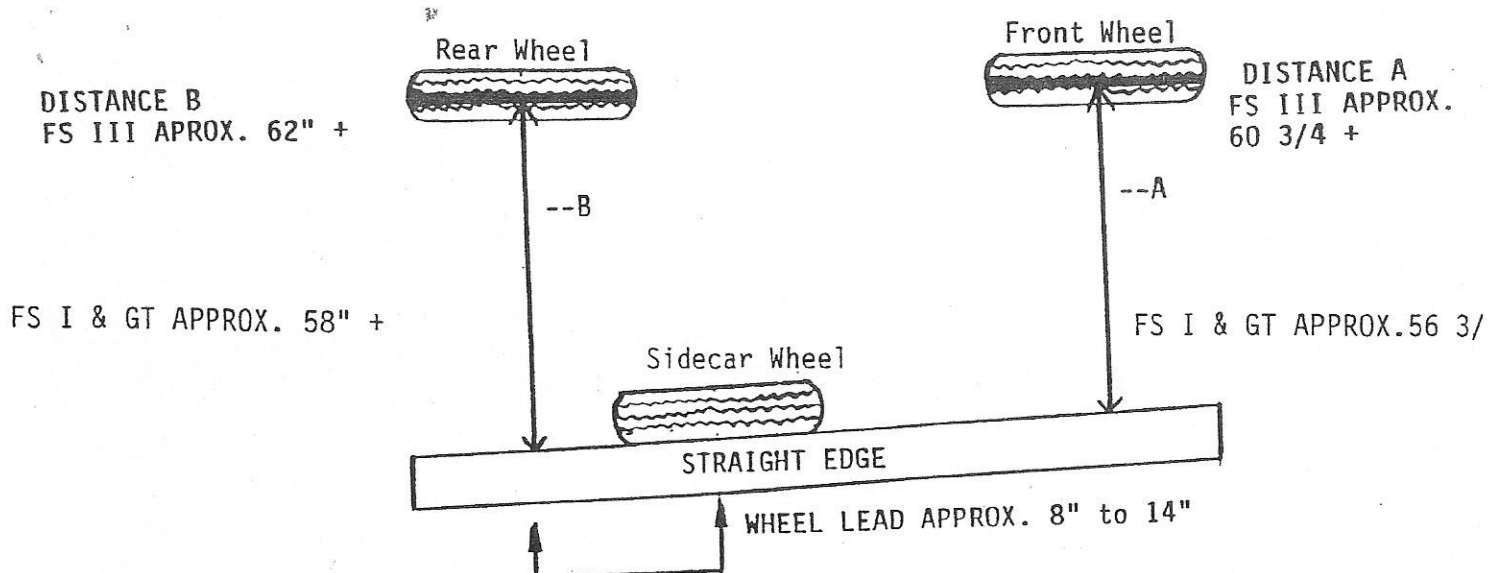
Locate hole under seat. Slide rod in hole with eye and spacer on right side. Then tighten bolt on left side.



LOWER REAR - CLEVIS PLATE

This unit is bolted on. Locate bottom muffler, now locate muffler support. Remove the two bolts at front of muffler support, then place plate between support and bike frame with clevis at bottom and to the right. Then replace bolts and tighten.





TOE IN:

DISTANCE A SHOULD BE APPROX. 1" TO 1 1/4" LESS THAN DISTANCE B. MEASURE FROM THE CENTER OF THE MOTORCYCLE RIM TO THE OUTSIDE OF THE SIDECAR WHEEL.

SIDECAR WHEEL LEAD:

THE DISTANCE THE SIDECAR AXEL LEADS THE REAR AXEL OF THE MOTORCYCLE SHOULD BE 8" TO 14".

NOTE: MOUNT AS FAR BACK AS THE BRACKETS WILL ALLOW.

LEAN OUT:

LOAD THE MOTORCYCLE AND SIDECAR WITH THE NORMAL AMOUNT OF WEIGHT TO BE CARRIED. LEAN THE BIKE OUT FROM THE SIDECAR APPROX. 1/8".

FRAME HEIGHT:

DISTANCE FROM BOTTOM OF FRAME TO GROUND.

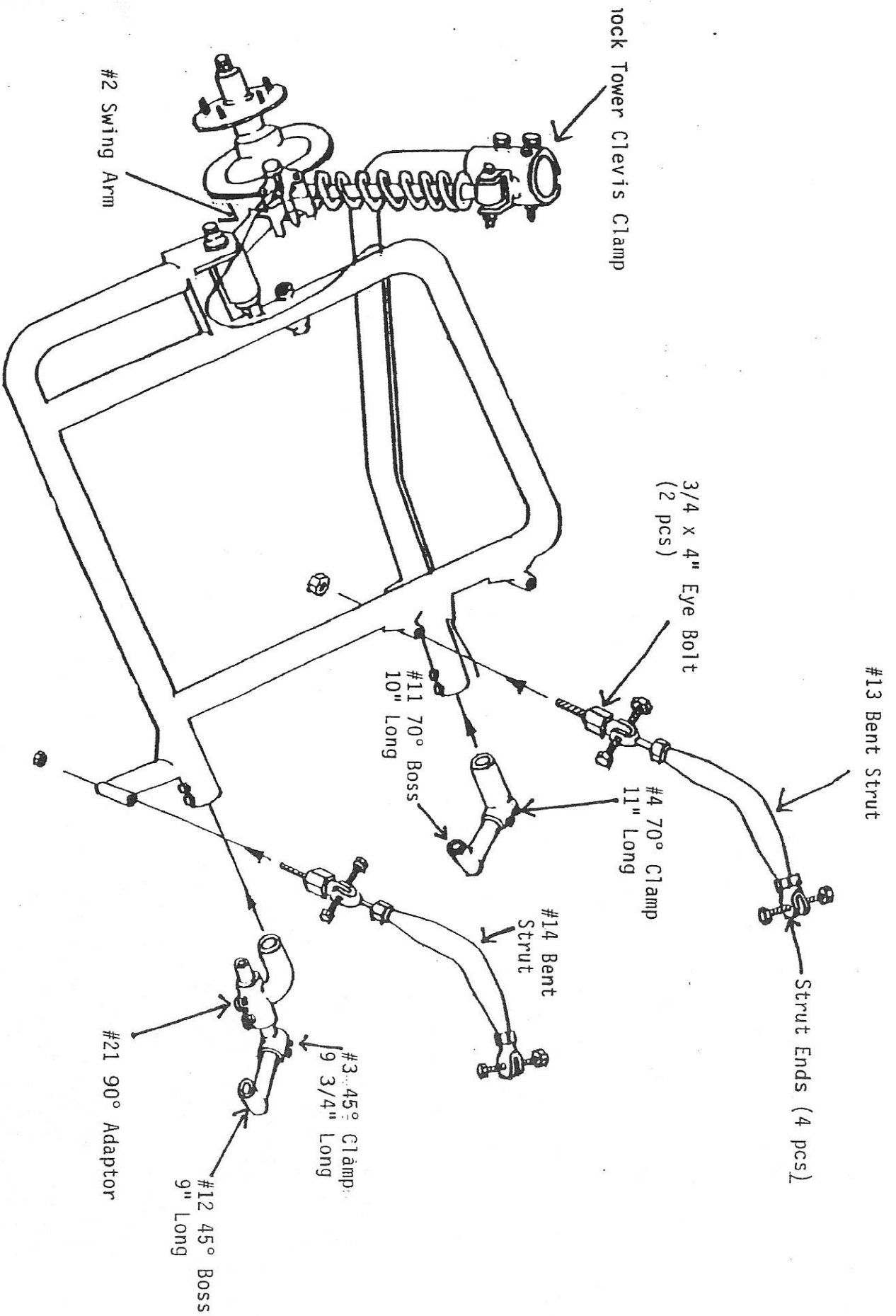
FS I - II - III :

APPROX. 9" FRONT
APPROX. 10" REAR

COMPANION GT:

APPROX. 9 1/2 " FRONT
APPROX. 10" REAR

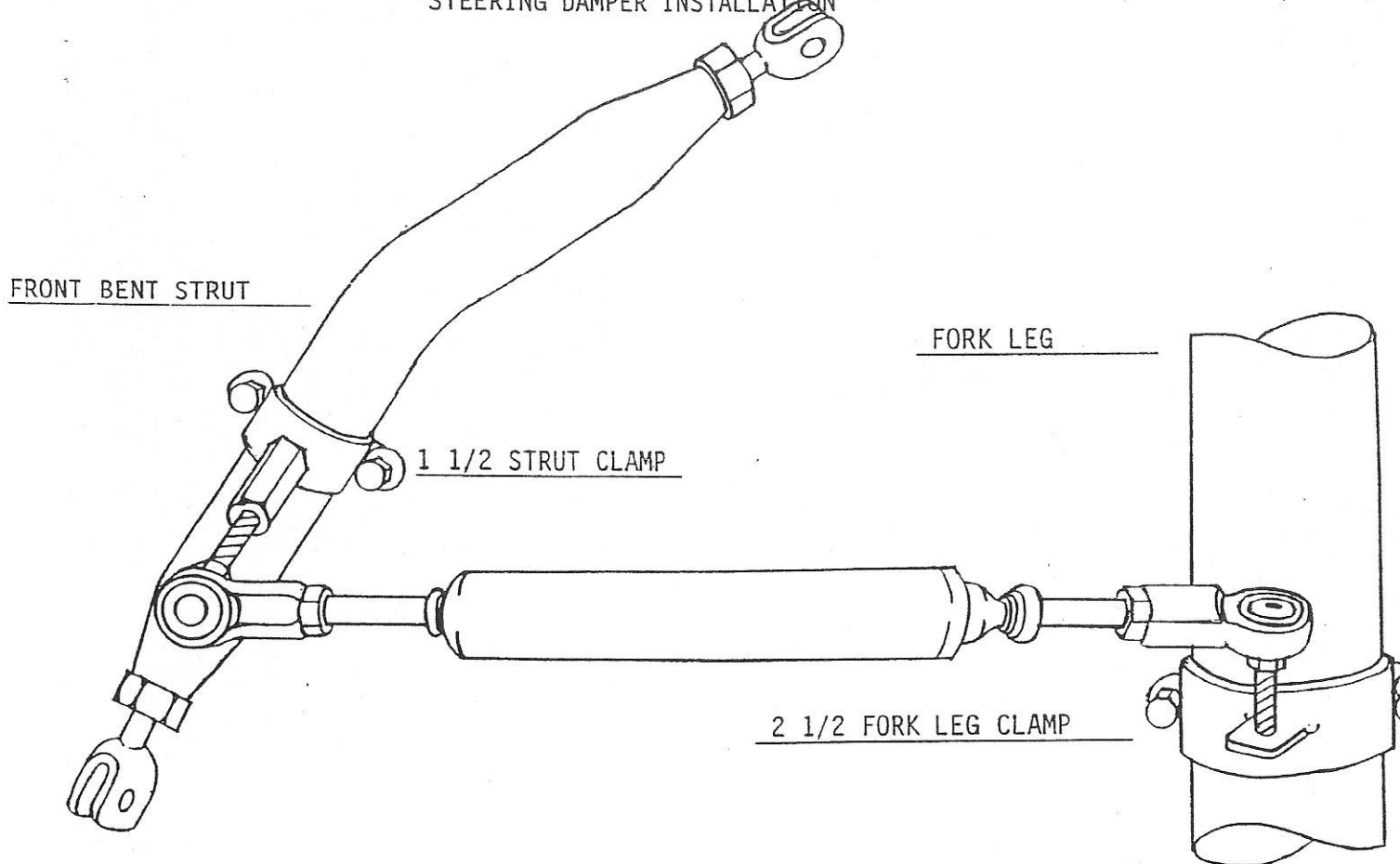
NOTE: WHEN SETTING FRAME HEIGHT WITH ELECTRIC LEAN ON FRIENDSHIP II & III HAVE AT LOWEST POSITION. ON FRIENDSHIP I AND COMPANION GT HAVE ELECTRIC LEAN EXTENDED OUT 1".



FRAME ASSEMBLY

1966 - 1984 HARLEY DAVIDSON FLH

1966 - 1984 HARLEY DAVIDSON FLH
STEERING DAMPER INSTALLATION



- 1.) Attach 1 1/2 clamp to front strut.
- 2.) Attach fork leg clamp to front fork of motorcycle above fender mounting brackets. Fork clamp should be positioned higher than strut clamp.
- 3.) BE SURE STEERING IS NOT RESTRICTED. ALWAYS TEST FOR FULL HANDLE BAR LOCK TO LOCK BEFORE DRIVING.

MOTORCYCLE WIRING

Ground	Brown & White
Running Lights	Blue & White
Turn Signal	Purple
Back Up Light	Green & White
Radio Cont. Live	Pink
Positive Electric Lean & Radio	Red

ELECTRIC LEAN SWITCHBOX

Mounts to the bottom of the motorcycles stock left hand switch housing. Drill small pilot holes and attach with the self tapping screw supplied.

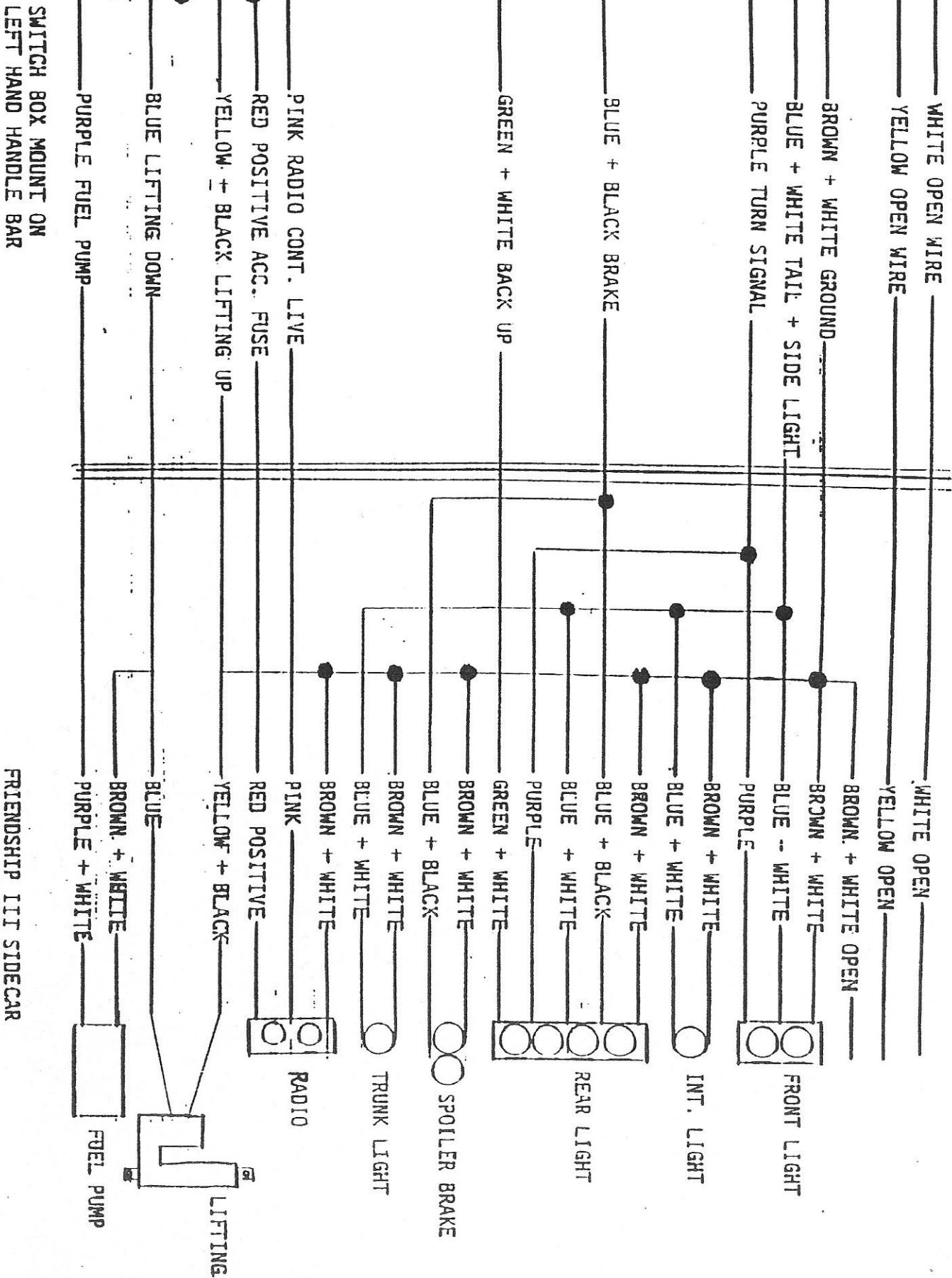
NOTE: If needed you can drill holes in stock switch housing and rivet in place.

SIDECAR BRAKE

Attach the steel braided brake line to the front handlebar mounted master cylinder with the double banjo bolt supplied.

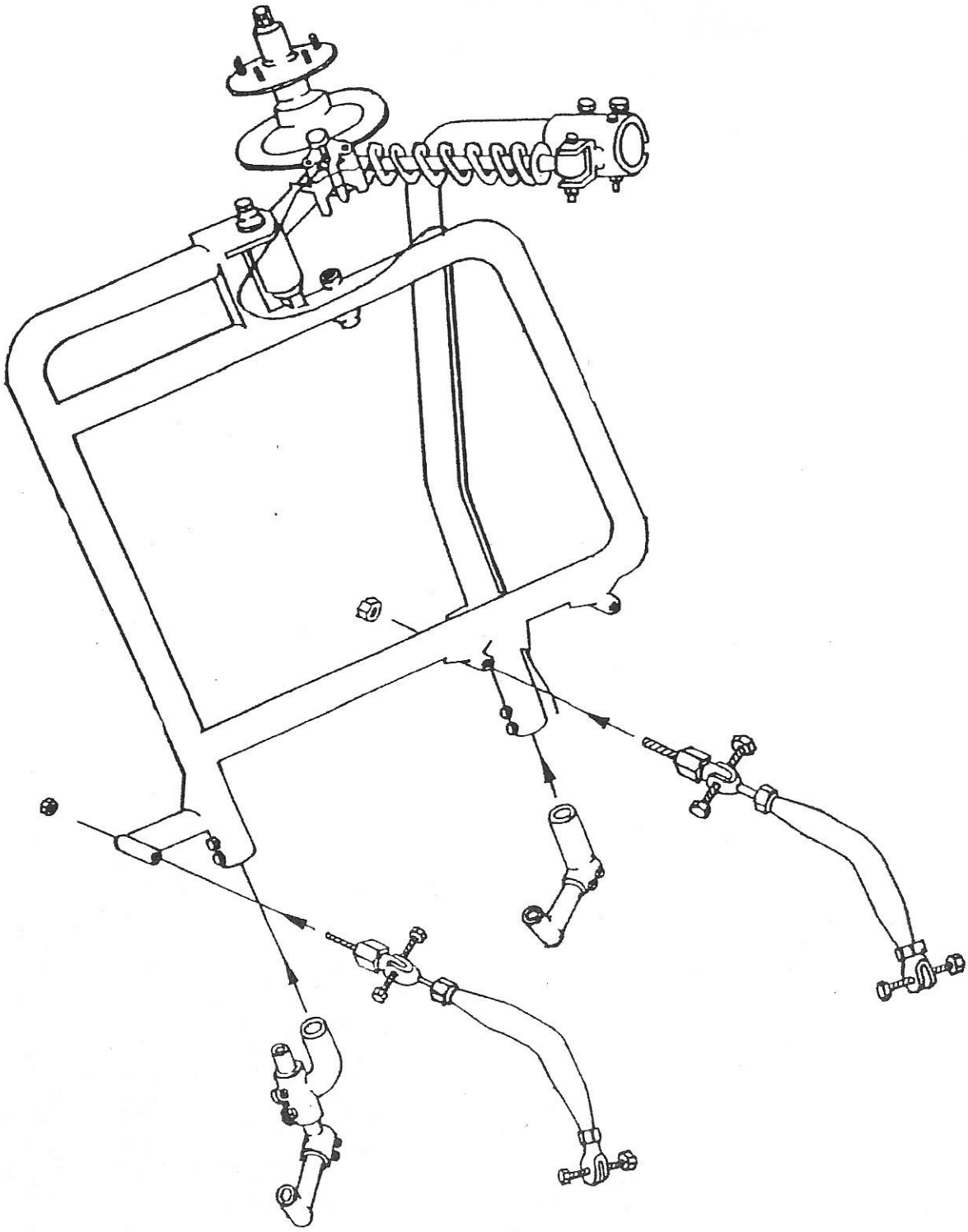
MOTORCYCLE

SIDECAR



FRIENDSHIP IIT SIDECAR
FRIENDSHIP II SE

1966 - 1984 HARLEY DAVIDSON FLH



FRAME ASSEMBLY