

1997 - 2001 HARLEY-DAVIDSON™  
FLHT • FLHTC • FLHTCU • FL • FLT • FLHT • FLHS • FLHR

PARTS LIST

- 1 U-clamp
- 1 Lower front clevis plate
- 1 Bolt-on upper rear eye bracket, one  $\frac{3}{8}$  x 16 x  $1\frac{1}{4}$  H/H CS, one  $\frac{3}{8}$  x 16 x  $\frac{3}{4}$  H/H CS, one  $\frac{3}{8}$  x 24 x  $1\frac{1}{4}$  H/H CS, two flat washers and  $\frac{3}{8}$  x 24 nyloc nuts
- 1 Lower rear bolt-on clevis bracket with one  $\frac{7}{16}$ " x 14 x  $1\frac{1}{2}$ " bolt Gr.#8, one  $\frac{7}{16}$ " x 14 x  $1\frac{3}{4}$ " bolt Gr.#8 and two flat washers and two lock washers
- 1 45-Degree clamp
- 1 70-Degree clamp
- 1 70-Degree boss
- 1 45-Degree boss
- 1 90-Degree adapter
- 2 Bent struts
- 2 ?" Rod end with two bolts  $\frac{5}{8}$ " x 18 x  $2\frac{1}{2}$ " , four flat washers, two  $\frac{5}{8}$ " x 18 nylock nuts
- 1 Instructions, Manual and Warranty card
- 1 **Optional:** Damper,  $1\frac{1}{2}$ " strut clamp,  $2\frac{1}{4}$ " fork leg clamp
- 1 **Optional:** Brake,  $\frac{3}{8}$  X 24 double banjo bolt, brake line, and coupler

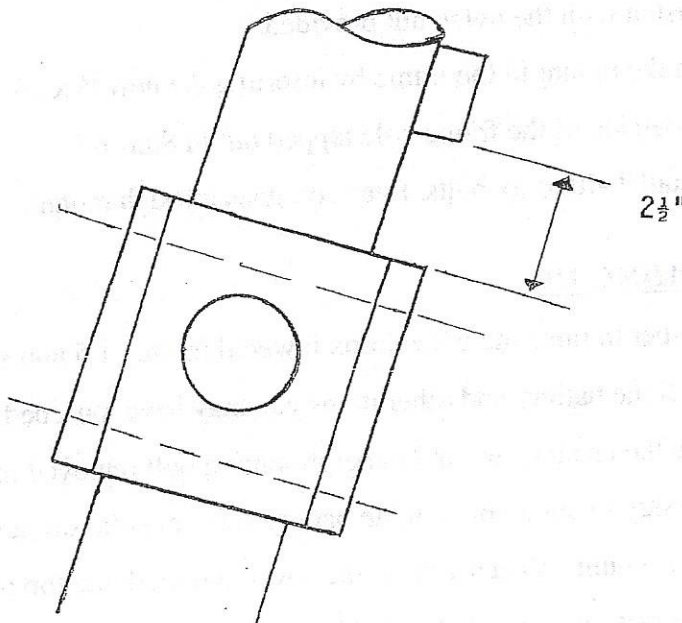
California Sidecar Parts & Technical Support  
100 Motorcycle Run • Arrington, VA 22922  
Telephone: (434) 263-8866 • Fax: (434) 263-8877

**STEP 1: PREPARING MOTORCYCLE TO INSTALL SIDECAR MOUNTS**

- 1) Remove seat and right side cover of battery.
- 2) Remove the crash guard by removing both the upper and lower crash guard bolts.
- 3) Remove the battery.
- 4) Once the crash guard bolts are removed, the thread hole in the frame needs to be tapped out. Using a 3/8 x 16 course tap, tap from top to bottom so that a 3/8 x 16 x 3/4 hex head bolt will thread in from the bottom side.
- 5) Remove the 2 bolts that hold the battery box to the frame (T-40 torax) and lower the battery box approximately 1/2 inch.

**STEP 2: INSTALLING UPPER FRONT U-CLAMP & EYE**

- 1) Place on bike frame on down tube just in front of heads high as possible at 90-degrees to the bike. Torque to 60 foot pounds.



**STEP 3: INSTALLING LOWER FRONT CLEVIS PLATE**

- 4) Remove driver's floor board on right side. Place plate in same location, then replace floor board.

**STEP 4: INSTALLING LOWER REAR MOUNT**

- 4) Remove both the upper right swing arm cap bolt and the lower left swing arm cap bolt.
- 5) Place mount into position and attach with bolts that are provided.
- 6) Attach on the right side to the weld nut on frame with the 7/16 bolt you removed.

## **STEP 5: INSTALLING THE UPPER REAR MOUNT**

The upper rear mount will be mounted to the frame and fastened in 3 places. It is recommended that you locate these 3 points and simulate where the mount will be placed as follows.

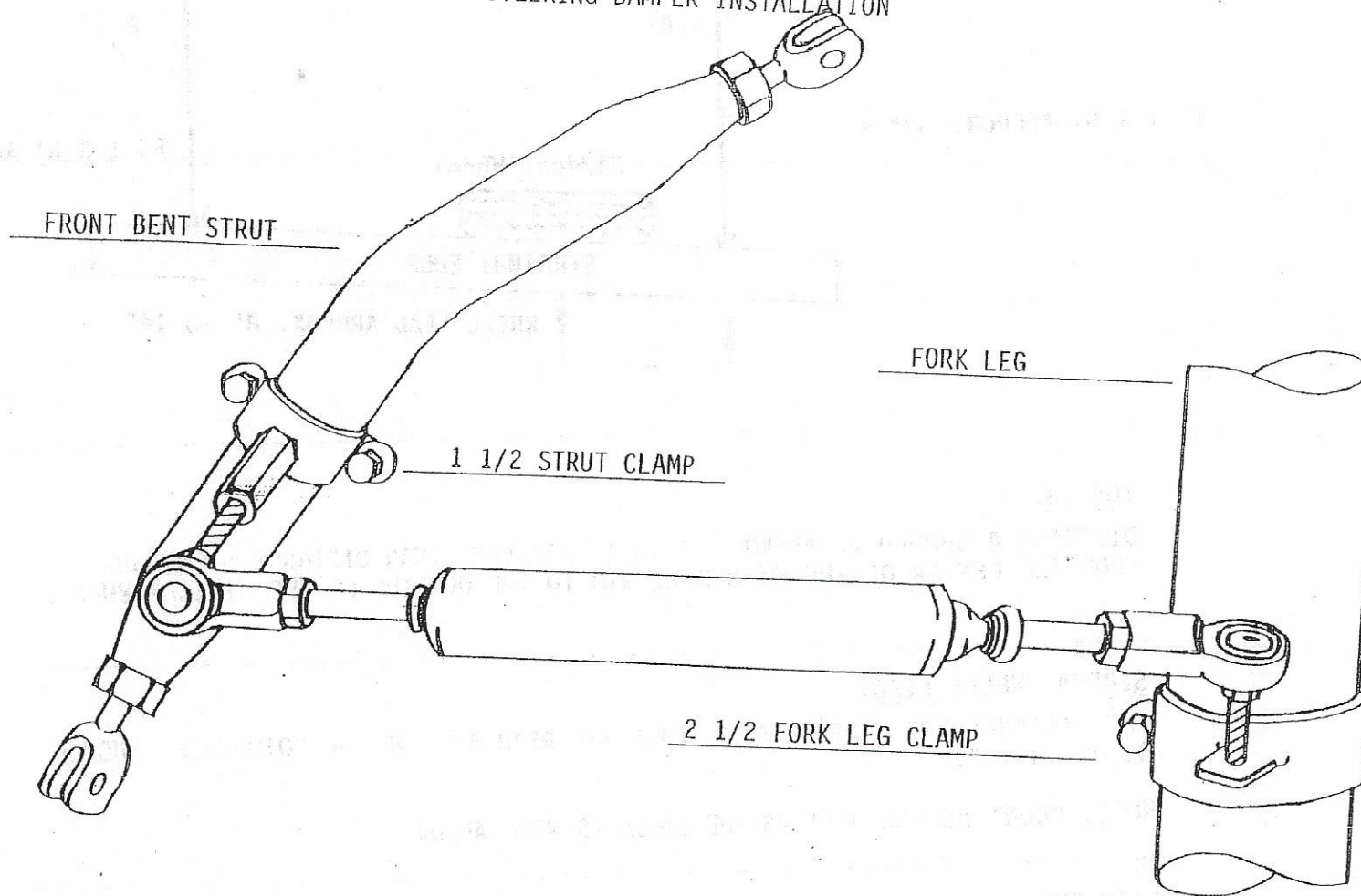
- Outside of the lower crash guard.
  - Underneath the frame at the upper crash guard.
  - Left Rear side of battery box.
- 1) Replace the lower crash guard bolt removed in Step 1.2 with a new  $\frac{3}{8}$  x 16 x  $1\frac{1}{4}$  bolt. Feed this bolt through the mount, the crash guard and through the frame tab and fasten with the nyloc nut provided.
  - 2) Attach the mount to the frame by inserting the new  $\frac{3}{8}$  x 16 x  $\frac{3}{4}$  hex head up from the underside of the frame hole tapped out in Step 1.4.
  - 3) Re-install T-40 torax bolts. Rear bolt goes through mount.

## **STEP 6: FINISHING UP**

- 1) Remember to raise the battery box lowered in Step 1.5 and secure the bolts.
- 2) Reinstall the battery and other items you may have loosened or removed.
- 3) Replace the crash guard and upper mounting bolt removed in Step 1.2.
- 4) It is necessary to cut a notch in the battery side cover before it can be reinstalled over the sidecar mount. Visually align the cover and mark the top on both sides of the just installed upper rear mount. Once the panel cover is marked, cut the cover using the enclosed template.

1997 HARLEY DAVIDSON  
FLHT-FLHTC-FLHTCU-FL  
FLT-FLHT-FLHS-FLHR

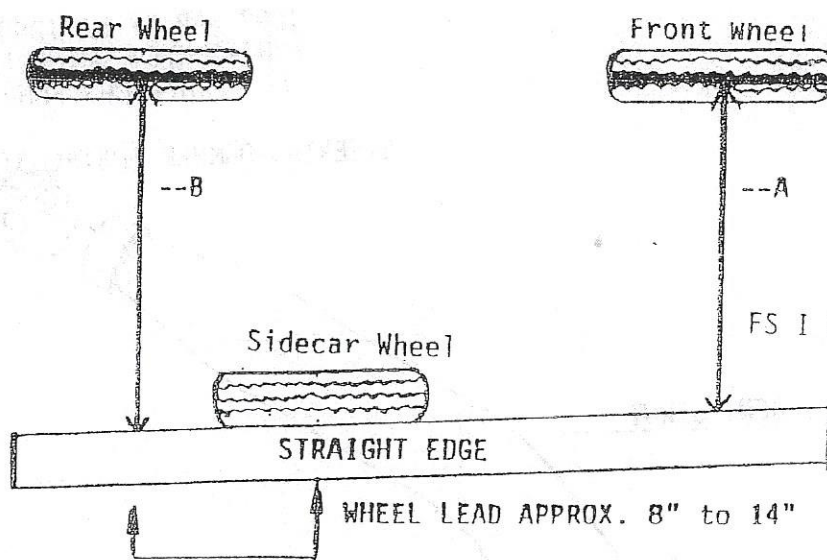
### STEERING DAMPER INSTALLATION



- 1.) Attach 1 1/2 clamp to front strut
- 2.) Attach fork leg clamp to front fork of motorcycle above fender mounting brackets. Fork clamp should be positioned higher than strut clamp
- 3.) BE SURE STEERING IS NOT RESTRICTED. ALWAYS TEST FOR FULL HANDLE BAR LOCK TO LOCK BEFORE DRIVING.

DISTANCE B  
FS III APROX. 62" +

FS I & GT APPROX. 58" +



DISTANCE  
FS III AP  
60 3/4 +

FS I & GT APPROX

TOE IN:

DISTANCE A SHOULD BE APPROX. 1" TO 1 1/4" LESS THAN DISTANCE B. MEASURE FROM THE CENTER OF THE MOTORCYCLE RIM TO THE OUTSIDE OF THE SIDECAR WHEEL.

SIDECAR WHEEL LEAD:

THE DISTANCE THE SIDECAR AXEL LEADS THE REAR AXEL OF THE MOTORCYCLE SHOULD BE 8" TO 14".

NOTE: MOUNT AS FAR BACK AS THE BRACKETS WILL ALLOW.

LEAN OUT:

LOAD THE MOTORCYCLE AND SIDECAR WITH THE NORMAL AMOUNT OF WEIGHT TO BE CARRIED. LEAN THE BIKE OUT FROM THE SIDECAR APPROX. 1/8".

FRAME HEIGHT:

DISTANCE FROM BOTTOM OF FRAME TO GROUND.

FS I - II - III :

APPROX. 9" FRONT

APPROX. 10" REAR

COMPANION GT:

APPROX. 9 1/2 " FRONT

APPROX. 10" REAR

NOTE: WHEN SETTING FRAME HEIGHT WITH ELECTRIC LEAN ON FRIENDSHIP II & III HAVE AT LOWEST POSITION. ON FRIENDSHIP I AND COMPANION GT HAVE ELECTRIC LEAN EXTENDED OUT 1".

## MOTORCYCLE WIRING

Ground	Brown & White
Running Lights	Blue & White
Turn Signal	Purple
Back Up Light	Green & White
Radio Cont. Live	Pink
Positive Electric Lean & Radio	Red

---

## ELECTRIC LEAN SWITCHBOX

Mounts to the bottom of the motorcycles stock left hand switch housing. Drill small pilot holes and attach with the self tapping screw supplied.

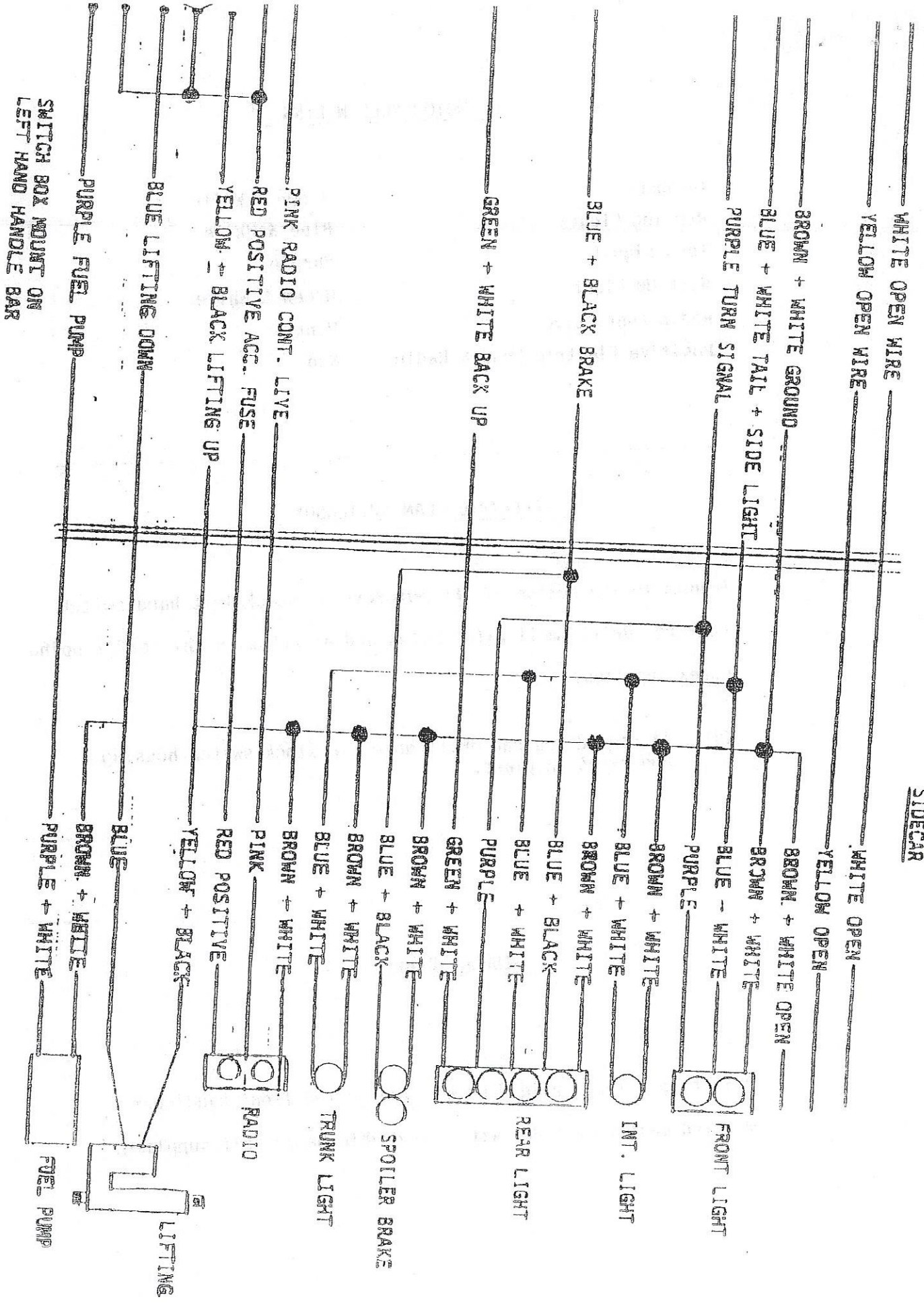
NOTE: If needed you can drill holes in stock switch housing and rivet in place.

---

## SIDECAR BRAKE

Attach the steel braided brake line to the front handlebar mounted master cylinder with the double banjo bolt supplied.

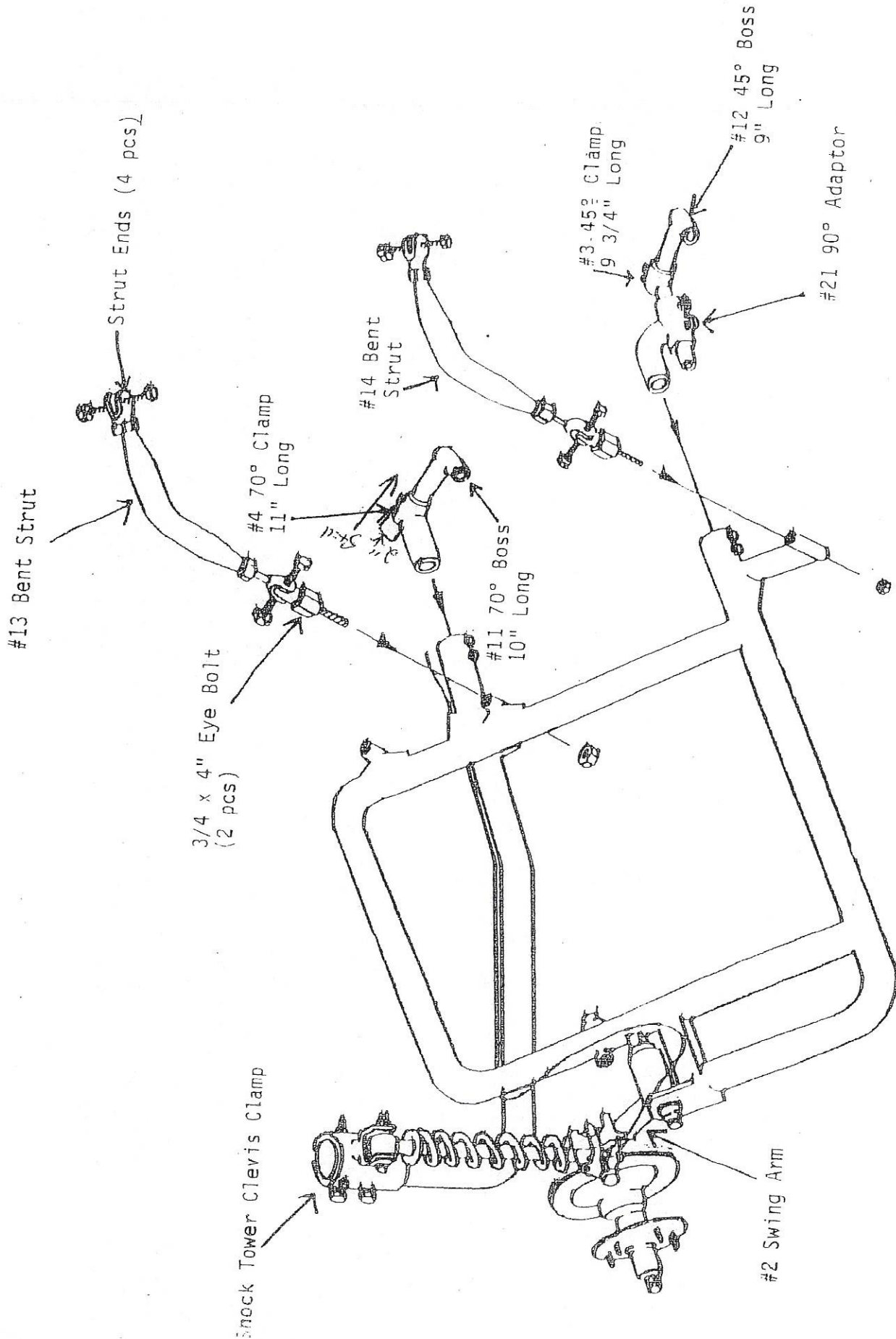
SIDECAR



SWITCH BOX MOUNT ON  
LEFT HAND HANDLE BAR

FRIENDSHIP IIT SIDECAR  
FRIENDSHIP II SE

FRAME ASSEMBLY



1997 HARLEY DAVIDSON  
FLHT-FLHTC-FLHTCU-FL  
FLT-FLHT-FLHS-FLHR