



Maintenance Schedule:

Frequency (miles)	Daily	4k	8k	12k	16k	20k	24k
Item							
Belts	I	I	I	I	I	T	I
Brake Pads and Rotors [1]		I	I	I	I	I	I
Half Shaft Boots		L	L	L	L	L	L
Wheel Bearings [2]		I	I	I	I	I	I
Wheels and Tires		I	I	I	I	I	I
All Lighting	I						
Tire Pressure [3]	I						
Brake fluid		I	I	R	I	I	R

I: Inspect: clean, lubricate, and/or replace as necessary.

R: Replace

L: Lubricate

T: Tension

NOTE:

[1] Minimum pad thickness is 0.04 inches (1.02mm)

[2] Wheel bearing torque 200 FT.-LBS.

[3] Rear tire pressure 28 PSI

At higher odometer readings, repeat at frequency intervals established here.

Note:

This Schedule is in addition to the Kawasaki Maintenance Schedule

NOTICE:

The remote door opener installed on this unit has a very small electrical draw on your motorcycle battery. If your trike will be unriden for more than 2 weeks you should remove the 15 amp fuse from the red fuse holder located under your seat or right side cover. Another option is using a battery tender.

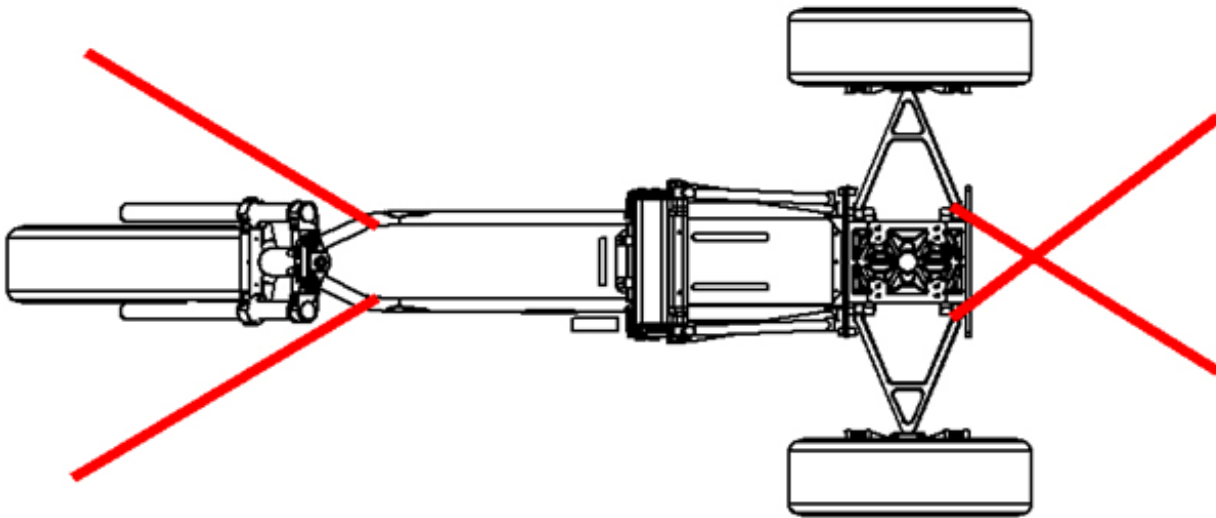
Service & Maintenance questions – contact Parts & Service at 434.263.8866

Notice

If you plan on trailering your trike, please use this diagram for proper tie down procedure; Failure to do so may result in damage to the trike shock and/or suspension components.

When strapping down your trike please hook your tie downs on the inside of your lower control arms. Then cross them for more security. Choose a strong point in the front such as the lower frame tube, engine guard, or lower triple clamp.

Securing your trike in this manner will compress the suspension so it does not bounce around with the trailer. This will greatly limit the movement of your trike when it is in tow.



FROM ALL OF US AT CSC, ENJOY THE RIDE!