

Accutach Company

Accurate Automotive Instrumentation Products

T56 Reverse Lockout Timer Installation Guide

For the Tremec T56 reverse lockout solenoid, use the following connector: GM # 12101857 or ACDelco # PT249. This connector is not included. You will also need a momentary-closed pushbutton switch, mounted where you will find it convenient. I mounted mine on the left side of the shifter bezel. You can see the switch mounting details on this page:

<http://www.classictiger.com/mustang/Interior/98Console/98Console.htm>.

For details of the timer circuit and its installation, see:

<http://www.classictiger.com/mustang/Interior/ReverseLockoutTimer/T56ReverseLockoutTimer.htm>. I have added a diode to the circuit (not documented on the web page) to protect it from any nasty automotive power glitches.

There are four wires coming out of the timer:

- Black Wire - Ground wire
- Blue Wire - Timer trigger wire
- White Wire – Timed 12V for the lockout solenoid.
- Red Wire - Power for the timer circuit

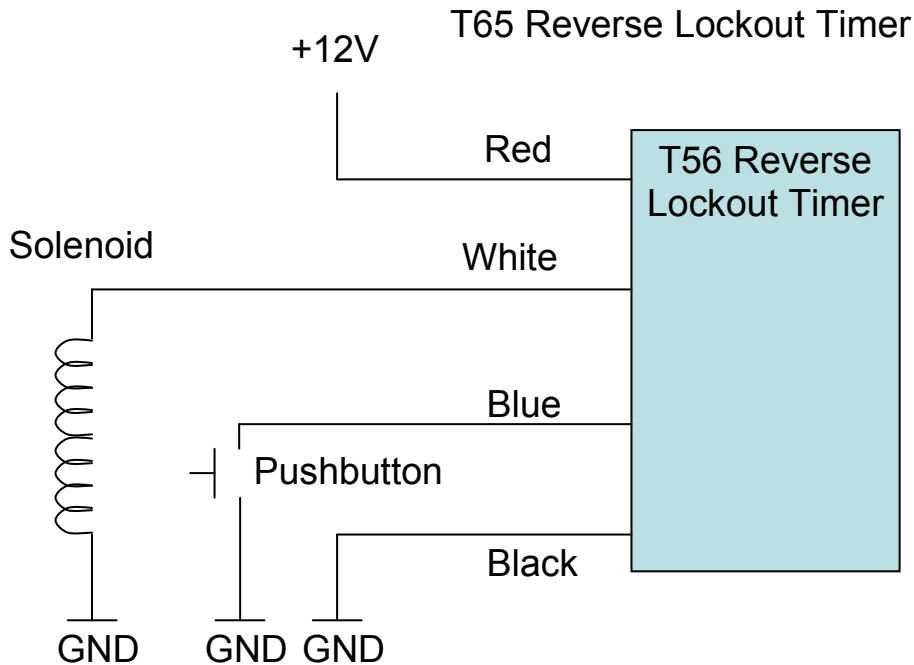
Step 1. Connect the Black Wire to a good ground.

Step 2. Connect the Blue Wire to your pushbutton switch. Connect the other terminal of the pushbutton switch to a good ground.

Step 3. Connect the White Wire to one side of the reverse lockout solenoid connector. Connect the other side of the reverse lockout solenoid connector to a good ground. Hook up the connector to the reverse lockout solenoid.

Step 4. Connect the Red Wire to a good +12 volt source. I used the lighter power from under the shifter bezel. It wouldn't hurt to add a 5A or 10A inline fuse.

T56 Reverse Lockout Timer Installation Guide



Accutach Company Limited Warranty

This Accutach Company product is warranted to be free of defects in workmanship and materials for a period of one year from the date of purchase. This warranty is for the original purchaser only, and warranty claims must include authentic, dated proof of purchase. If a problem is suspected, the customer must contact Accutach directly in order to discuss the issue. Should it be necessary for the product to be returned to Accutach, the customer should first obtain an RMA (Returned Material Authorization) number from Accutach. Upon the return of the product, Accutach will determine if the product was damaged from abuse or a defect. Accutach will, at its sole discretion, return, repair or replace the product. This warranty covers only the cost of the product and not that of installation or removal. See www.accutach.com for contact information.

Returns and Restocking Fee

A 15% restocking fee will be charged for any returns for refund.

Disclaimer

The users of Accutach Company products do so at their own risk. Accutach is not responsible for any damage or injury resulting from the use of its products in any way. The use of Accutach Company products constitutes the user's acceptance of all of Accutach's terms and conditions.