

Toggle Auxiliary Switch Unit Installation Guide

Rev. 1.1

© 2012 Accutach Co.

www.accutach.com

Thank you for purchasing the Accutach Co. Toggle Auxiliary Switch Unit.

Many automotive accessories require toggle switches for control of their functions. Sometimes it is convenient to control a function with a momentary-on pushbutton, one press to turn the switch on and another press to turn the switch off. This is especially true if you want to control an accessory with a Ford Mustang's steering wheel cruise control buttons (Accutach Co. Cruise Button Box required).

Toggle Auxiliary Switch Unit is designed to work with any momentary-on pushbutton switch to control one switched power output. The Toggle Auxiliary Switch Unit output can supply battery voltage up to one amp. If greater than one amp is needed, the output must be connected to an external relay (not supplied).

Before you begin:

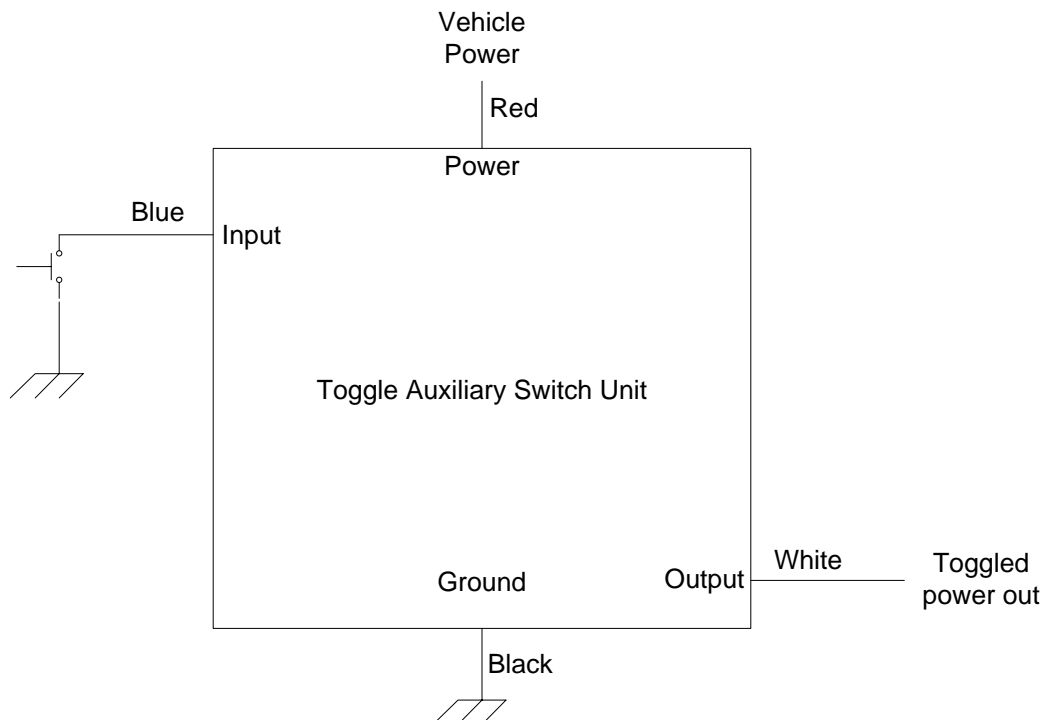
You will need to identify a switched or unswitched battery voltage power supply wire to splice into for power for the Cruise Button Box, depending on your application. You will also need a good chassis ground to ground the unit.

You will also need to locate a suitable place to install the unit inside of the vehicle's cabin, most likely under the dash or in the console near the shifter. It is not intended for use in the engine compartment or anywhere outside of the vehicle. If you wish to create a custom mounting bracket out of ABS plastic you can glue it to the ABS box with standard ABS cement.

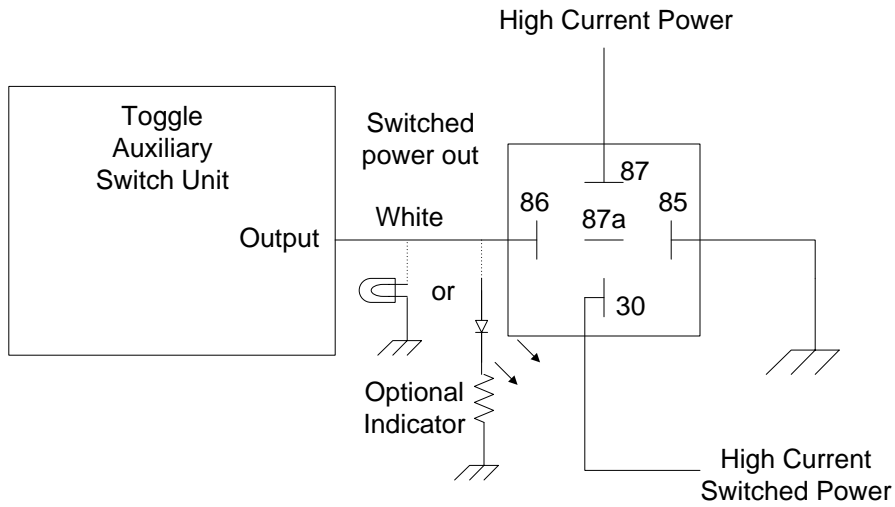
Wiring the Toggle Auxiliary Switch Unit

Connect the Red power lead to switched or unswitched power wire you identified in the section above. Connect the Black ground lead to your good chassis ground.

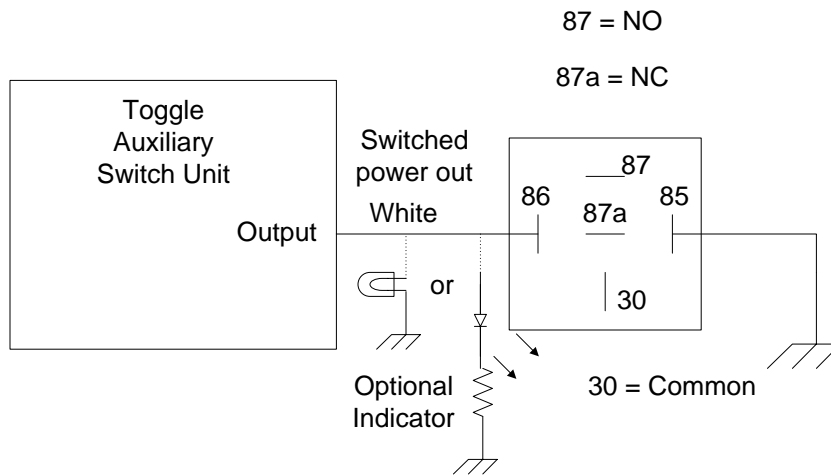
Connect the Blue Input wire to the Toggle pushbutton, and ground the other side of the pushbutton. Connect the White Output1 wire to power the accessory you want to control.



If you need to switch current of more than one amp, you will need to add an external automotive relay:



If a normally open or normally closed switch function is required, simply wire the relays to provide the required switching function.



If you will be unsure of the on/off state of the toggled accessory, you should seriously consider adding a status indicator for the accessory. It can be an automotive indicator lamp, 12V LED, or a regular LED with a current limiting resistor as shown in the drawings above. A 680 ohm, 1/4W resistor is a good value for a 20mA LED.

Operation

Once the unit is wired in and powered, simply press the pushbutton once to turn the output on, and press the pushbutton again to turn it off.