



## Features

- Sealed die-casting profile for indoor and outdoor applications.
- Voltage is 120-277V.
- Lumen output from 5300lm with efficacy to 118lm/W.
- Increase energy savings with bi-level PIR sensor.
- Replacing 100W MH.
- Operating temperature is -40°C to 40°C(-40°F to 104°F).
- UL/cUL wet location listed and DLC qualified.



## PERFORMANCE DATA

Luminaire Type	Rated Voltage(VAC)	Wattage (W)	CCT	Initial Lumens(lm)	Luminaire Efficacy(lpw)	CRI	Power Factor	1-10V Dimmable	Motion Sensor	Emergency Batter	Certificate
Canopy	120-277	45	4000K	5000	111	70	0.9	NO	NO	NO	UL
Canopy	120-277	45	4000K	5000	111	70	0.9	YES	NO	NO	UL
Canopy	120-277	45	4000K	5000	111	70	0.9	NO	YES	NO	UL
Canopy	120-277	45	4000K	5000	111	70	0.9	NO	NO	YES	UL
Canopy	120-277	45	4000K	5000	111	70	0.9	YES	NO	YES	UL
Canopy	120-277	45	4000K	5000	111	70	0.9	NO	YES	YES	UL
Canopy	120-277	45	4000K	5000	111	70	0.9	YES	YES	NO	UL
Canopy	120-277	45	4000K	5000	111	70	0.9	YES	YES	YES	UL
Canopy	120-277	45	5000K	5300	118	70	0.9	NO	NO	NO	UL
Canopy	120-277	45	5000K	5300	118	70	0.9	YES	NO	NO	UL
Canopy	120-277	45	5000K	5300	118	70	0.9	NO	YES	NO	UL
Canopy	120-277	45	5000K	5300	118	70	0.9	NO	NO	YES	UL
Canopy	120-277	45	5000K	5300	118	70	0.9	YES	NO	YES	UL
Canopy	120-277	45	5000K	5300	118	70	0.9	NO	YES	YES	UL
Canopy	120-277	45	5000K	5300	118	70	0.9	YES	YES	NO	UL
Canopy	120-277	45	5000K	5300	118	70	0.9	YES	YES	YES	UL

Note: D\* Dark Bronze finish color is inventory color, please consult factory for lead time if other color is needed.

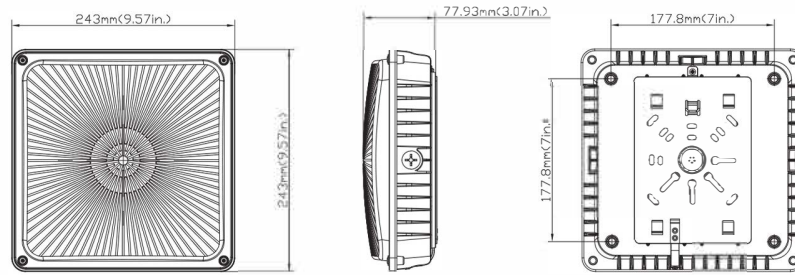
## ELECTRICAL DATA

Number Of Drivers	Driver Current (Amps)	Nominal Power (W)	INPUT VOLTAGE (V)	CURRENT (Amps)
1	1.12	45	120	0.38
		45	208	0.22
		45	240	0.19
		45	277	0.16

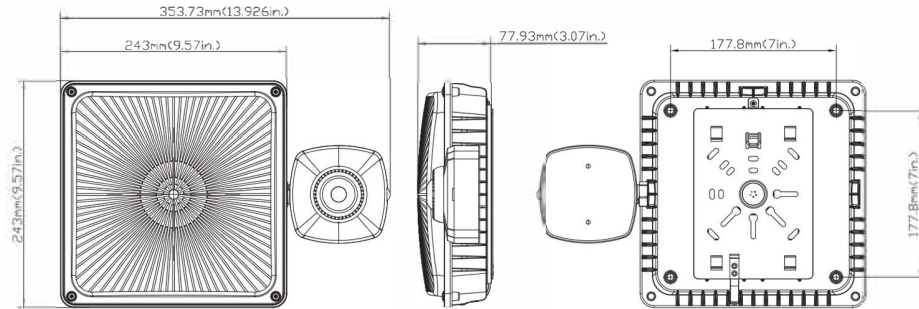
# DIMENSION

unit: inch/mm

Weight: 4.74lb

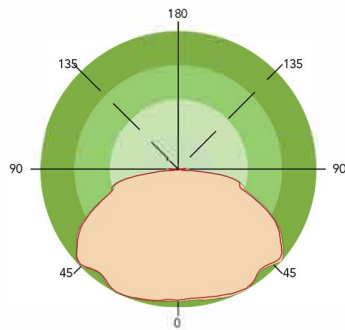


Weight: 5.18lb



# DISTRIBUTION

Parking Garage



## ORDERING GUIDE

Fixture Type	Wattage	Voltage	CCT	Finish	Sensor (Option)	Dimmable(Option)	Emergency Batter(Option)
<input type="checkbox"/>	<input type="checkbox"/>	<input type="checkbox"/>	<input type="checkbox"/>	<input type="checkbox"/>	<input type="checkbox"/>	<input type="checkbox"/>	<input type="checkbox"/>
CP04	45 45W	27V 120-277V	40K 4000K 50K 5000K	D Dark Bronze B Black W White SG Silver Gray	Blank Without Sensor M With Sensor	D 1-10V Dimmable Blank NON Dimmable	B With Battery Blank Without Battery