

## DESCRIPTION

The LED Dusk to Dawn combines optical performance, energy efficiency and versatility to meet the needs of any area. It features a power door for easy maintenance and 3G vibration rated construction.

This LED solution provides uniform and energy conscious illumination for municipal streets, commercial and perimeter lighting.



## SPECIFICATION FEATURES

### Overview

- Initial Delivered Lumens: 3,400-5650lm
- CRI: ≥ 70
- Mounting: Mounts directly to wall surface or to pole with mounting arm (accessory sold separately)
- Replaces up to 175W MH
- CCT: Optioal 3000K, 4000K and 5000K
- Limited Warranty: 5 Years
- Lifespan: Estimated >50,000 Hours

### Construction

- Durable, die-cast aluminum housing silver gray polyester powder\_coat finish
- Photocell included

### Electrical

- Input Voltage: 120-277V
- Power Factor: ≥ 0.9
- Total Harmonic Distortion: <20%
- Operating Temperature Range: -40°C - + 45°C (-40°F - + 113°F)

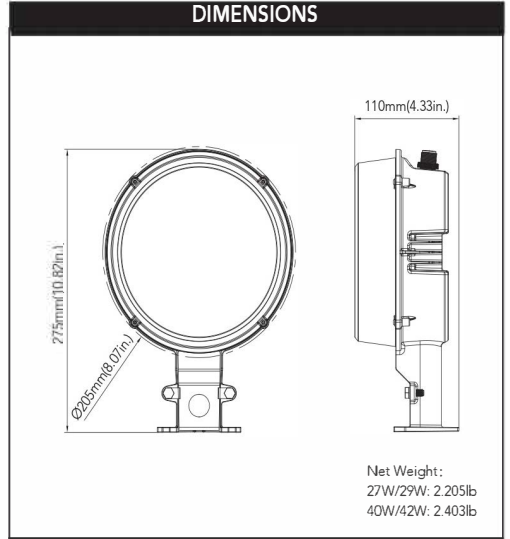
### Recommended use

- General Area Illumination
- Entryways & Pathways
- Yards & Loading Docks

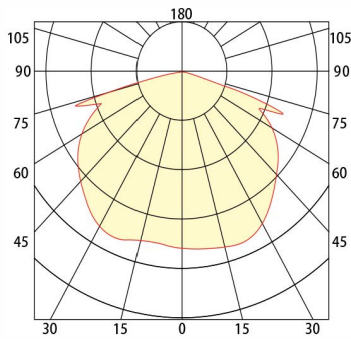
### Listing

- cULus wet location listed
- DLC qualified

### DIMENSIONS



## PHOTOMETRICS



## ACCESSORIES

	<p><b>Mounting arm kit</b> USE: For pole mounting</p>
	<p><b>Photocell</b> No. PC-JL-120-277V USE: Photocell is field installed or pre-installed in factory by requesting</p>

## PERFORMANCE DATA

### Professional

SYSTEM WATTS	VOLTAGE	CRI	LUMENS (4000K)	LPW (4000K)	LUMENS (5000K)	LPW (5000K)
27W	120-277V	70	3800lm	141 lm/W	3850lm	143 lm/W
40W	120-277V	70	5600lm	140 lm/W	5650lm	141 lm/W

### Economical

SYSTEM WATTS	VOLTAGE	CRI	LUMENS (4000K)	LPW (4000K)	LUMENS (5000K)	LPW (5000K)
29W	120-277V	70	3400lm	117 lm/W	3450lm	119 lm/W
42W	120-277V	70	4900lm	117 lm/W	4950lm	118 lm/W

# ELECTRICAL DATA

Number Of Drivers	Driver Current (mA)	Nominal Power (W)	INPUT VOLTAGE (V)	CURRENT (Amps)
1	430	27	120	0.23
		27	208	0.13
		27	240	0.11
		27	277	0.10
1	430	29	120	0.24
		29	208	0.14
		29	240	0.12
		29	277	0.10
1	640	40	120	0.33
		40	208	0.19
		40	240	0.17
		40	277	0.14
1	640	42	120	0.35
		42	208	0.20
		42	240	0.18
		42	277	0.15

## ORDERING GUIDE

Fixture Type	Wattage	Voltage	CCT	Finish	Photocell (Option)	Internal Code
<input type="text"/>	<input type="text"/>	<input type="text"/>	<input type="text"/>	<input type="text"/>	<input type="text"/>	<input type="text"/>
<b>DD03</b>	<b>27</b> 27W <b>29</b> 29W <b>40</b> 40W <b>42</b> 42W	<b>27V</b> 120-277V	<b>30K</b> 3000K <b>40K</b> 4000K <b>50K</b> 5000K	<b>D</b> Dark Bronze <b>B</b> Black <b>W</b> White <b>SG</b> Silver Gray	<b>P0</b> 120-277V Photocell <b>Blank</b> Without photocell	<b>Blank</b> <b>Alphanumeric</b>

