



Features

- Efficiency higher than 160lm/W, designed to replace 750W and 1000W HID while consumes 250W and 340W.
- Open the drive compartment cover from below to facilitate inspection and assembly.
- 120 degree lens guarantees light intensity and light uniformity.
- Hook(default included) or Conduit pendant way for different applications.
- Optional motion sensor can be offered for maximizing energy savings.
- Optional adjustment dial allows the fixture to meet higher ambient temperature requirements.
- Operating temperature is -40°C to 65°C (-40°F to 149°F).
- Resistant to shock and vibration.
- UL/cUL wet location and DLC qualified.



Mounting
Suitable for Hook or 3/4" Conduit pendant.



Housing
Symmetrical design for consistent installed results. A large number of heat sinks for maximum heat dissipation. Combined with sensor detect added into the system, more energy would be saved and pretty less maintenance than HID technology.

Motion Sensor
Optional motion sensor allows for security and energy saving.

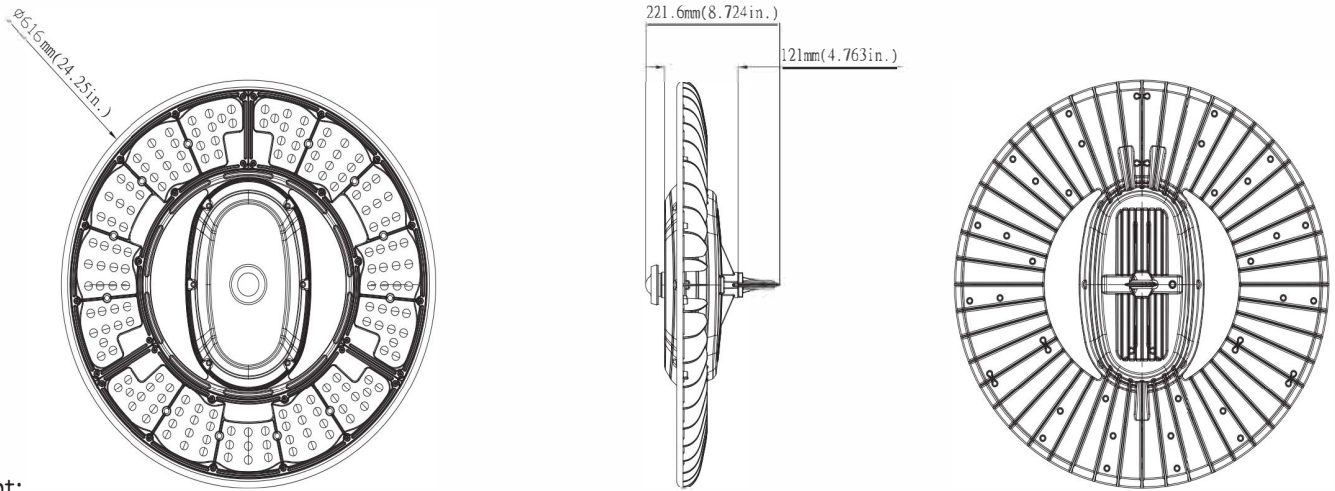
Condenser Lens
A lens that is both high temperature resistant and aesthetically pleasing to achieve maximum output luminous flux.

PERFORMANCE DATA

SYSTEM WATTS	VOLTAGE	4000K(70CRI)		5000K(70CRI)		Temperature
		LUMENS	LPW	LUMENS	LPW	
200W	120-277VAC	32300lm	162lm/W	32800lm	164lm/W	-40°C to 65°C
200W	347-480VAC	32500lm	163lm/W	33000lm	165lm/W	-40°C to 65°C
250W	120-277VAC	40000lm	160lm/W	40100lm	160lm/W	-40°C to 55°C
250W	347-480VAC	40300lm	161lm/W	41000lm	164lm/W	-40°C to 55°C
300W	120-277VAC/347-480V	48500lm	162lm/W	49500lm	165lm/W	-40°C to 65°C
340W	120-277VAC/347-480V	54300lm	160lm/W	55500lm	163lm/W	-40°C to 55°C

DIMENSION

unit: inch/mm



Weight:

200W/250W: 16.27lbs

300W/340W: 17.57lbs



ORDERING GUIDE

Fixture Type	Wattage	Voltage	CCT	Finish	Sensor (Option)	Adjustment Dial (Option)	Surge Protection (Option)	Internal Code
<input type="checkbox"/>	<input type="checkbox"/>	<input type="checkbox"/>	<input type="checkbox"/>	<input type="checkbox"/>	<input type="checkbox"/>	<input type="checkbox"/>	<input type="checkbox"/>	<input type="checkbox"/>
HB05 High Bay	200 200W 300 300W 250 250W 340 340W	27V 120-277V 48V 347-480V	40K 4000K 50K 5000K	D Dark Bronze B Black W White	M With Sensor Blank Without Sensor	AD With Adjustment Dial Blank Without Adjustment Dial	S Surge protection (Blank) No Surge protection	Blank Alphanumeric

Note: 1. 200W and 300W are obtained by 250W and 340W using adjustment dial.

2. 200W or 300W is recommended when the ambient temperature is -40°C to 65°C (-40°F to 149°F).

3. 250W or 340W is recommended when the ambient temperature is -40°C to 55°C (-40°F to 131°F).