

Features

- Efficiency higher than 160lm/W, designed to replace 750W and 1000W HID while consumes 250W and 340W.
- Open the drive compartment cover from below to facilitate inspection and assembly.
- 120 degree lens guarantees light intensity and light uniformity.
- Hook(default included) or Conduit pendant way for different applications.
- Optional motion sensor can be offered for maximizing energy savings.
- Optional adjustment dial allows the fixture to meet higher ambient temperature requirements.
- Operating temperature is -40°C to 65°C (-40°F to 149°F).
- Resistant to shock and vibration.
- UL/cUL wet location and DLC qualified.

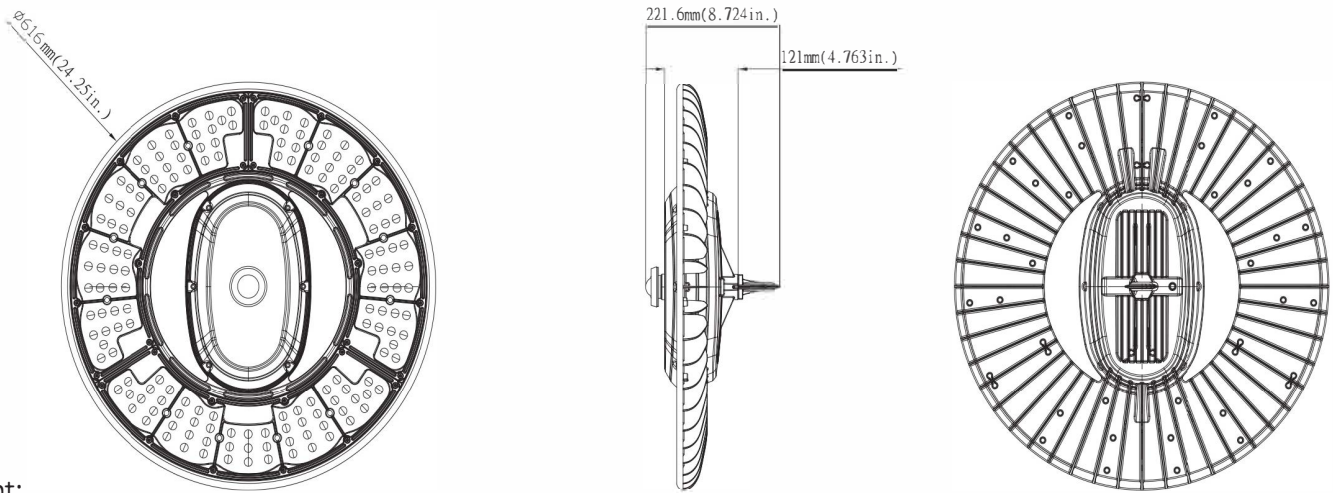


PERFORMANCE DATA

SYSTEM WATTS	VOLTAGE	4000K(70CRI)		5000K(70CRI)		Temperature
		LUMENS	LPW	LUMENS	LPW	
200W	120-277VAC	32300lm	162lm/W	32800lm	164lm/W	-40°C to 65°C
200W	347-480VAC	32500lm	163lm/W	33000lm	165lm/W	-40°C to 65°C
250W	120-277VAC	40000lm	160lm/W	40100lm	160lm/W	-40°C to 55°C
250W	347-480VAC	40300lm	161lm/W	41000lm	164lm/W	-40°C to 55°C
300W	120-277VAC/347-480V	48500lm	162lm/W	49500lm	165lm/W	-40°C to 65°C
340W	120-277VAC/347-480V	54300lm	160lm/W	55500lm	163lm/W	-40°C to 55°C

DIMENSION

unit: inch/mm



Weight:

200W/250W: 16.27lbs

300W/340W: 17.57lbs

ORDERING GUIDE



Fixture Type	Wattage	Voltage	CCT	Finish	Sensor (Option)	Adjustment Dial (Option)	Surge Protection (Option)	Internal Code
<input type="checkbox"/>	<input type="checkbox"/>	<input type="checkbox"/>	<input type="checkbox"/>	<input type="checkbox"/>	<input type="checkbox"/>	<input type="checkbox"/>	<input type="checkbox"/>	<input type="checkbox"/>
HB05 High Bay	200 200W 300 300W 250 250W 340 340W	27V 120-277V 48V 347-480V	40K 4000K 50K 5000K	D Dark Bronze B Black W White	M With Sensor Blank Without Sensor	AD With Adjustment Dial Blank Without Adjustment Dial	S Surge protection (Blank) No Surge protection	Blank Alphanumeric

Note: 1. 200W and 300W are obtained by 250W and 340W using adjustment dial.

2. 200W or 300W is recommended when the ambient temperature is -40°C to 65°C (-40°F to 149°F).

3. 250W or 340W is recommended when the ambient temperature is -40°C to 55°C (-40°F to 131°F).