

LED HIGH BAY (HBX SERIES)



Commercial Lighting | Industrial Lighting

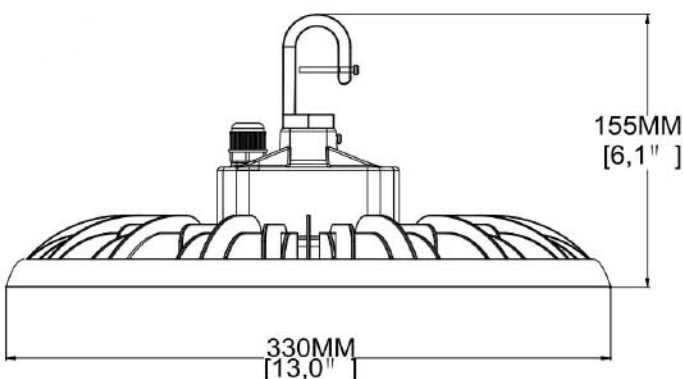
**PREMIUM
VERSION**



This HBX Series LED Highbay Light is designed for industrial lighting, it's widely used at garage, warehouse, workshop, factory, backyard, supermarket, exhibition hall, stadium. With high quality driver and thermal protectors, this product lasts for 100000 hours and with a 5-year warranty. Inside with quality Lumileds LED as light sources, they easily outperform conventional fixtures.



Dimensions



- Different beam angle to meet wide application - available at 60°, 90° & 110°
- Unique cooling air convection thermal design with die casting aluminum
- Easy and fast installation - Hook hang with locking bolt no need electrician
- High efficiency output - light efficiency is up to 140LPW
- Waterproof IP65 rating - suitable for all kinds of weather
- Good energy saving - save 70% electricity cost compared to traditional lamp
- Glare-Free design lens for safe and comfortable eyesight
- 5 Year Warranty for whole fixture and power supply

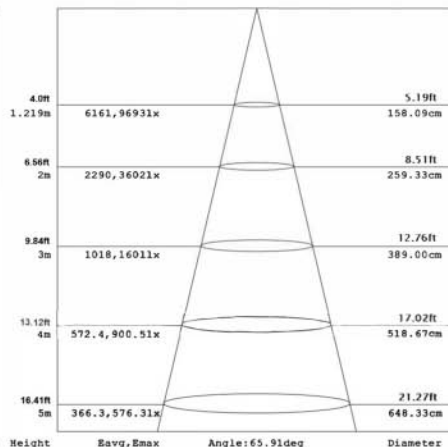
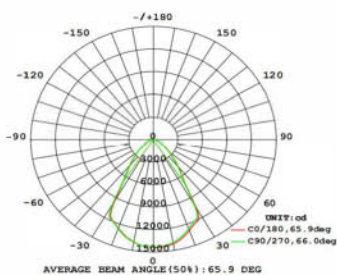
General Specifications

Item No.	HBX150W50KT90Y
System Power(±5%)	150W
Electrical Data	
Input Voltage	100-277 VAC
Power Frequency	50/60Hz
Power Factor	>0.9
THD	<20%
Optical Data	
System Efficacy	140(±5%) Lm/W tested based on 5000K Ra70
Luminous Flux (±5%)	21000LM
LED Chip	Lumileds SMD3030
Beam Angle	60°/90°/110°
Light Color	3000K / 4000K / 5000K / 5700K
CRI	>70 Ra
UGR	<19
Temperature Data	
IP Rate	IP65 wet/outdoor
Operating Temp	-40° ~ 131° F (-40° ~ 55° C)
Ambient Temp	-4° ~ 104° F (-20° ~ 40° C)
Storage Temp	-40° ~ 158° F (-40° ~ 70° C) R.H.≤85%
Lifespan	≥50000Hrs (Ta=30°C@L70) Operating
Fixture Material	Die casting Aluminium body
Safety Certification	ETL, DLC, CE
Warranty	5 Years
Dimension & Packing Data	
Product size (LxWxH)	Φ330 x 155mm (13,0" x 6,1")
Net Weight	2.4 KGS (5.4 LBS)
Gross Weight	3 KGS (6.62 LBS)
Carton size (LxWxH)	39*38*13.5cm (15,36*14,96*5,32 inch)
Qty/Carton	1 PC
Loading Qty/20' GP	1000 CTNS / 1000 PCS
Loading Qty/40' GP	2050 CTNS / 2050 PCS
Loading Qty/40' HQ	2600 CTNS / 2600 PCS
L.E.D. vs HPS / MH Equivalence	
LED	150W
HPS / MH	350-400W

Photometrics

DATA OF LAMP		PHOTOMETRIC DATA Eff: 139.91 lm/W			
MODEL	HBX150W50KT90Y	I _{max} (cd)	7789	S/MH (C0/180)	1.33
NOMINAL POWER (W)	150	LOR (%)	100.0	S/MH (C90/270)	1.33
RATED VOLTAGE (V)	277	TOTAL FLUX (lm)	21434	η UP, DN (C0-180)	0.4, 49.2
NOMINAL FLUX (lm)	21434	CIE CLASS	DIRECT	η UP, DN (C180-360)	0.5, 49.9
LAMPS INSIDE	1	η up (%)	0.9	CIBSE SHR NOM	1.50
TEST VOLTAGE (V)	120	η down (%)	99.1	CIBSE SHR MAX	1.50

LUMINOUS INTENSITY DISTRIBUTION DIAGRAM



Suggested mounting height for best illumination effect: 16 to 26 feet (5 - 8 meters)