



Features

- Sealed die-casting profile for indoor and outdoor applications.
- Voltage is 120-277V & 347V.
- Lumen output from 3400-6150lm with efficacy up to 118lm/W.
- Optional clear lens or frosted lens as per applications.
- Increase energy savings with bi-level PIR sensor.
- Replacing 100W MH and 175W MH.
- Operating temperature is -40°C to 40°C (-40°F to 104°F).
- Suitable for wet locations.
- UL/cUL wet location listed and DLC qualified.



PERFORMANCE DATA

SYSTEM WATTS	LENS	VOLTAGE	4000K(70CRI)		5000K(70CRI)	
			LUMENS	LPW	LUMENS	LPW
30W	Clear Lens	120-277VAC	3500lm	117 lm/W	3550lm	118 lm/W
	Frosted Lens	120-277VAC	3400lm	113 lm/W	3500lm	117 lm/W
45W	Clear Lens	120-277VAC	4800lm	107 lm/W	4850lm	108 lm/W
	Frosted Lens	120-277VAC	4700lm	104 lm/W	4700lm	104 lm/W
50W	Clear Lens	347VAC	4800lm	96 lm/W	4850lm	97 lm/W
	Frosted Lens	347VAC	4700lm	94 lm/W	4700lm	94 lm/W
60W	Clear Lens	120-277VAC	6100lm	102 lm/W	6150lm	103 lm/W
	Frosted Lens	120-277VAC	6000lm	100 lm/W	6100lm	102 lm/W
60W	Clear Lens	347VAC	6100lm	102 lm/W	6150lm	103 lm/W
	Frosted Lens	347VAC	6000lm	100 lm/W	6100lm	102 lm/W

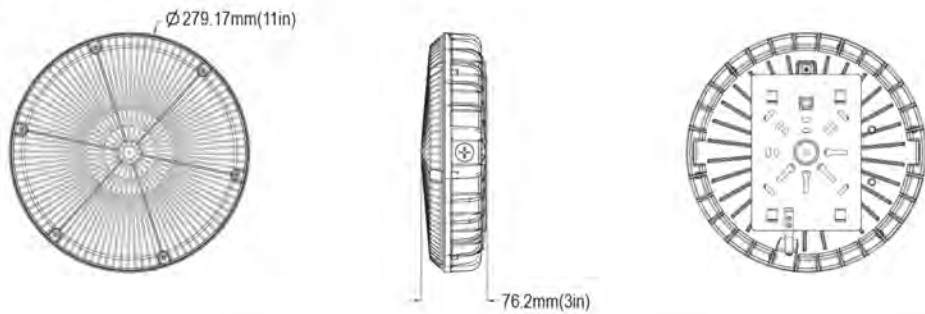
ELECTRICAL DATA

Number Of Drivers	Driver Current (Amps)	Nominal Power (W)	INPUT VOLTAGE (V)	CURRENT (Amps)
1	0.78	30	120	0.25
		30	208	0.14
		30	240	0.13
		30	277	0.11
1	1.12	45	120	0.38
		45	208	0.22
		45	240	0.19
		45	277	0.16
		50	347	0.14
1	1.48	60	120	0.50
		60	208	0.29
		60	240	0.25
		60	277	0.22
		60	347	0.17

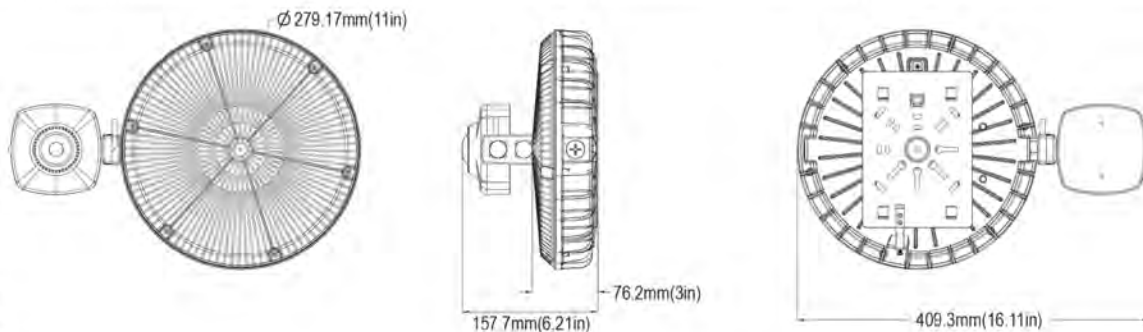
DIMENSION

unit: inch/mm

Weight:
 30W: 5.225lbs
 45W: 5.335lbs
 60W: 5.533lbs



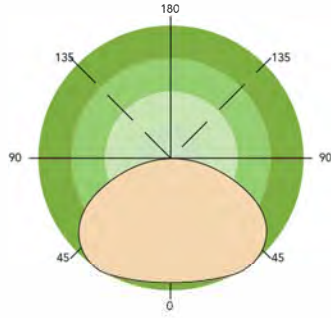
Weight:
 30W: 5.599lbs
 45W: 5.709lbs
 60W: 5.907lbs



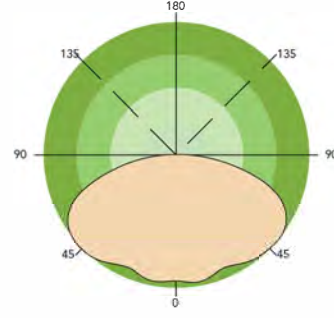
CHOOSE YOUR OPTICAL DISTRIBUTION

Each optic is designed for a specific purpose. The general distribution allows a wash of light in any application. In addition, we design an optic specially for parking garage.

General



Parking Garage



ORDERING GUIDE

Fixture Type	Wattage	Voltage	CCT	Finish	Sensor (Option)	Dimmable	Lens
<input type="text"/>	<input type="text"/>	<input type="text"/>	<input type="text"/>	<input type="text"/>	<input type="text"/>	<input type="text"/>	<input type="text"/>
CP02	30 30W 45 45W 50 50W 60 60W	27V 120-277V 34V 347V	40K 4000K 50K 5000K	D Dark Bronze B Black W White	Blank Without Sensor M With Sensor	D 1-10V Dimmable Blank NON Dimmable	C Clear lens F Frosted lens