



## Features

- Sealed die-casting profile for indoor and outdoor applications.
- Voltage is 120-277V & 347V.
- Lumen output from 3400-6150lm with efficacy up to 118lm/W.
- Optional clear lens or frosted lens as per applications.
- Increase energy savings with bi-level PIR sensor.
- Replacing 100W MH and 175W MH.
- Operating temperature is -40°C to 40°C (-40°F to 104°F).
- Suitable for wet locations.
- UL/cUL wet location listed and DLC qualified.



# PERFORMANCE DATA

SYSTEM WATTS	LENS	VOLTAGE	4000K(70CRI)		5000K(70CRI)	
			LUMENS	LPW	LUMENS	LPW
30W	Clear Lens	120-277VAC	3500lm	117 lm/W	3550lm	118 lm/W
	Frosted Lens	120-277VAC	3400lm	113 lm/W	3500lm	117 lm/W
45W	Clear Lens	120-277VAC	4800lm	107 lm/W	4850lm	108 lm/W
	Frosted Lens	120-277VAC	4700lm	104 lm/W	4700lm	104 lm/W
50W	Clear Lens	347VAC	4800lm	96 lm/W	4850lm	97 lm/W
	Frosted Lens	347VAC	4700lm	94 lm/W	4700lm	94 lm/W
60W	Clear Lens	120-277VAC	6100lm	102 lm/W	6150lm	103 lm/W
	Frosted Lens	120-277VAC	6000lm	100 lm/W	6100lm	102 lm/W
60W	Clear Lens	347VAC	6100lm	102 lm/W	6150lm	103 lm/W
	Frosted Lens	347VAC	6000lm	100 lm/W	6100lm	102 lm/W

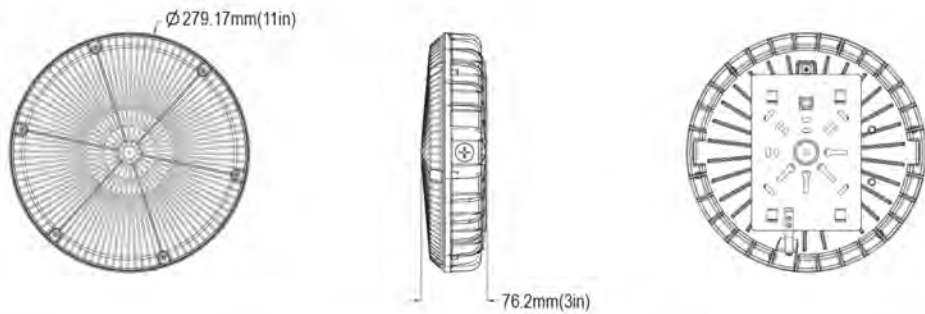
# ELECTRICAL DATA

Number Of Drivers	Driver Current (Amps)	Nominal Power (W)	INPUT VOLTAGE (V)	CURRENT (Amps)
1	0.78	30	120	0.25
		30	208	0.14
		30	240	0.13
		30	277	0.11
1	1.12	45	120	0.38
		45	208	0.22
		45	240	0.19
		45	277	0.16
		50	347	0.14
1	1.48	60	120	0.50
		60	208	0.29
		60	240	0.25
		60	277	0.22
		60	347	0.17

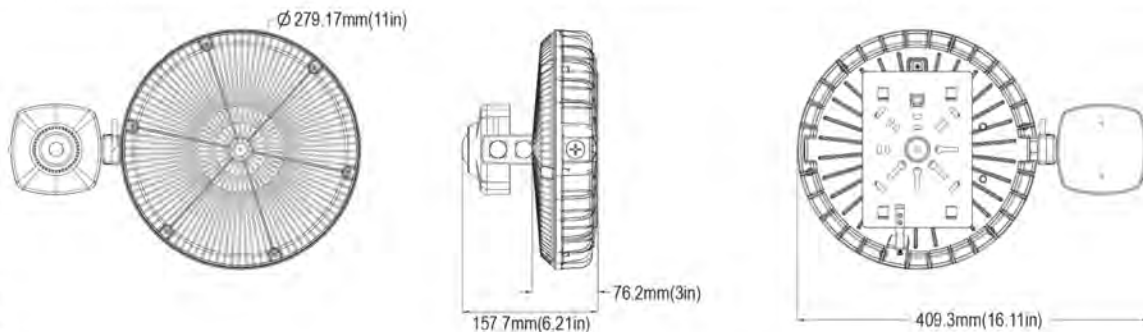
# DIMENSION

unit: inch/mm

Weight:  
30W: 5.225lbs  
45W: 5.335lbs  
60W: 5.533lbs



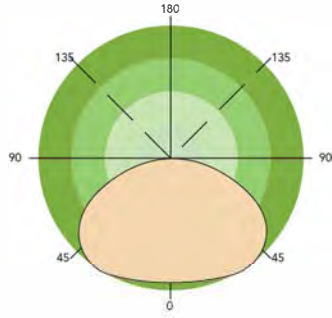
Weight:  
30W: 5.599lbs  
45W: 5.709lbs  
60W: 5.907lbs



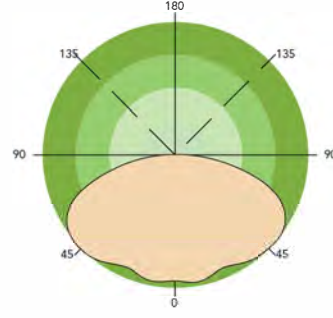
# CHOOSE YOUR OPTICAL DISTRIBUTION

Each optic is designed for a specific purpose. The general distribution allows a wash of light in any application. In addition, we design an optic specially for parking garage.

General



Parking Garage



## ORDERING GUIDE

Fixture Type	Wattage	Voltage	CCT	Finish	Sensor (Option)	Dimmable	Lens
<input type="text"/>	<input type="text"/>	<input type="text"/>	<input type="text"/>	<input type="text"/>	<input type="text"/>	<input type="text"/>	<input type="text"/>
CP02	<b>30</b> 30W <b>45</b> 45W <b>50</b> 50W <b>60</b> 60W	<b>27V</b> 120-277V <b>34V</b> 347V	<b>40K</b> 4000K <b>50K</b> 5000K	<b>D</b> Dark Bronze <b>B</b> Black <b>W</b> White	<b>Blank</b> Without Sensor <b>M</b> With Sensor	<b>D</b> 1-10V Dimmable <b>Blank</b> NON Dimmable	<b>C</b> Clear lens <b>F</b> Frosted lens