

TS350 Digital Timed Shot Dispenser

For Adhesives, Sealants, Silicones, Glues, Inks, Gels, Pastes, Primers, Solvents, more...



The TS350 dispenser is an advanced system for applying watery liquids to high viscosity pastes. It has a slim modern design with small footprint and a super quiet operation. Use for applying micro dots and controlled beads of materials direct from industrial syringe barrels or can be used as a valve controller.

Standard foot pedal operation, optional electric finger switch operation or remote cycling using the rear I/O port for automation or connection to an XYZ robot.

Large LCD display shows timer settings, air pressure, vacuum suck-back pressure, timer memory and shot counter.

Dual voltage allows this machine to be used globally with all plugs included for different countries.

Supplied ready to use with a choice of barrel sizes and colours and a wide selection of dispensing tips designed for applying reactive adhesives, particle filled pastes and aggressive solvents.



TS350 Advanced Electro-Pneumatic System

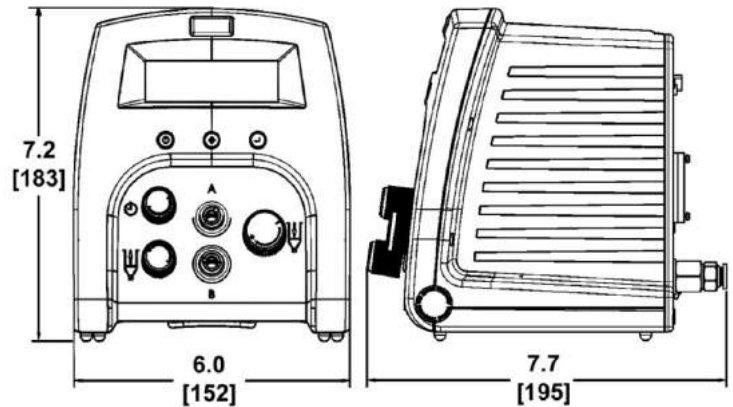
Use the TS350 for applications of most viscosity materials to make repeat deposits or controlled beads. Use the TS355 version only for low viscosity liquids such as solvents or wicking grade Cyanoacrylate adhesives.

Specification

Timer: 0.008 to 60 seconds
 Output Pressure: Up to 100 psi (or 0-15 psi version)
 Input Pressure: 80-100 psi
 Size: 152 x 165 x 178mm
 Weight: 1.2kg (2.6lb)
 Input Voltage: 100-240 V AC
 Warranty: 1 Year
 Cycle Rate: Up to 1200 cycles/minute
 Timing Tolerances: +/- 0.001%
 Meets or Exceeds: CE, TUV-GS, NRTL, RoHS, WEEE compliance

Key Features:

- Universal power supply for worldwide use
- Teach function reduces time setting up new applications
- Fully bright display shows all settings and functions
- Save up to (10) programs to memory for fast recall
- Vacuum suckback stops ooze between cycles & low viscosity fluids
- Electric footswitch provided, optional electric finger switch available
- Resettable shot counter shows number of deposits made
- I/O port for easy integration into auto assemblies or XYZ robots
- User friendly firmware for easy setup
- Small footprint design and robust build quality
- Can be used to control metering valves with a pressure pot

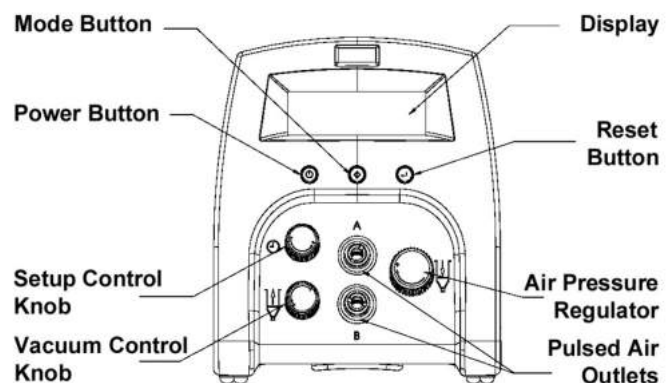
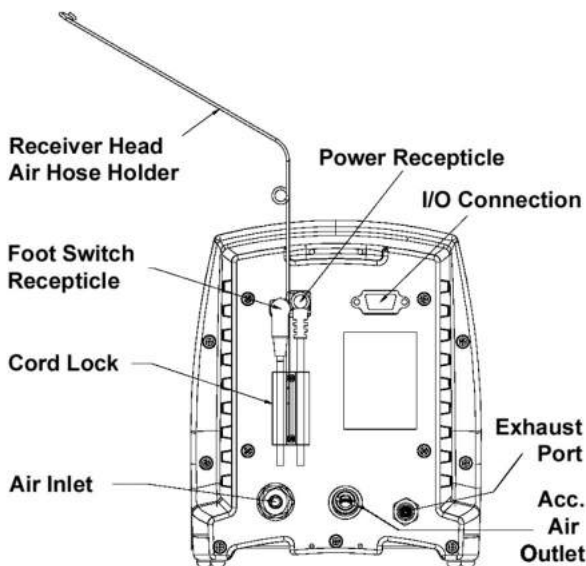


Part number	Description
TS350	Dispenser, 0 to 100 PSI Air Pressure Output
TS355	Dispenser, 0 to 15 PSI Air Pressure Output

Options

Part number	Description
DX9010	Electric Finger Switch, all barrel sizes
AD9012	Electric Finger Switch, 30cc/55cc barrels
TSD800-6	5 Micron Air Filter, Mains Filtration
881-000-000	Inline Liquid Adapter Assembly Trap
560024	Filter, Muffler, Vacuum for exhaust port

All TS350 dispensers are supplied ready to use with universal power adapter, airline hose, fittings kit, foot switch, barrel bench stand, barrel/ piston kit, adapter assembly, tip kit, user guide.



This dispenser is available to use with syringe barrel sizes 3cc, 5cc, 10cc, 30cc and 55cc, with clear, amber or black colours.

New big barrel assemblies offer 100cc, 200cc, 300cc and 500cc large capacity with direct connection to the TS350 and TS355 dispensers.

Use 881-000-000 part in the air hose between the TS350 dispenser and the syringe barrel for watery liquids only. Will prevent damage.

Adhesive Dispensing Ltd
 55 Alston Dr, Bradwell Abbey
 Milton Keynes, Bucks, MK13 9HB, UK
 Tel. +44 (0) 1908 686660
 Fax: +44 (0) 1908 686836